

ENGINEERING  
TOMORROW

*Danfoss*

Application guidelines

# Danfoss scrolls, **H-Series** Residential and light commercial

50 - 60 Hz - R407C - R22 - R410A



<http://danfoss.us.com/>

<b>GENERAL INFORMATION .....</b>	<b>4</b>
<b>PRODUCT INFORMATION .....</b>	<b>5</b>
<b>Features .....</b>	<b>5</b>
<b>Compressor model designation .....</b>	<b>6</b>
Nomenclature .....	6
<b>Technical specifications .....</b>	<b>7</b>
50-60 Hz data .....	7
<b>Dimensions .....</b>	<b>10</b>
HRM025-032-034-038-040-042 / HRP025-034-038-040-042 / HRH029-031-032-034-036-038 /	
HRM-045-047 / HRP-045-047 / HRH039-040 .....	10
HRM048-051-054-058-060 / HLM068-072-075-078-081 / HRP048-051-054-058-060 /	
HLP068-072-075-078-081 / HRH041-044-049-051-054-056 / HLH061-068 / HLJ072-075-083 .....	11
HCM/HCP 094-109-120 .....	12
HCJ090-105-120 .....	13
HCJ091-106-121 .....	14
HLH061-HLJ072-HLJ083 .....	15
<b>Electrical data, connections and wiring .....</b>	<b>17</b>
Motor voltage .....	17
Wiring connections .....	17
Three phase electrical characteristics .....	18
Single phase electrical characteristics .....	20
IP rating .....	22
LRA (Locked Rotor Amp) .....	22
MCC (Maximum Continuous Current) .....	22
Max. Operating Current .....	22
Winding resistance .....	22
Motor protection .....	22
Phase sequence and reverse rotation protection .....	22
Electrical connections .....	23
Nominal capacitor value and relays .....	23
<b>Approvals and certifications .....</b>	<b>24</b>
Approvals and certificates .....	24
Pressure equipment directive 2014/68/EU .....	24
Low voltage directive 2014/35/EU .....	24
Machines directive 2006/42/EC .....	24
Internal free volume .....	24
<b>Operating conditions .....</b>	<b>25</b>
Refrigerant and lubricants .....	25
<b>SYSTEM DESIGN .....</b>	<b>26</b>
<b>Design piping .....</b>	<b>26</b>
General requirements .....	26
Tandem requirements .....	27
<b>Design compressor mounting .....</b>	<b>28</b>
General requirements .....	28
Single requirements .....	28
Tandem requirements .....	28
<b>Manage sound and vibration .....</b>	<b>29</b>
Compressor sound radiation .....	29
Mechanical vibrations .....	30
Gas pulsation .....	30
<b>Manage operating envelope .....</b>	<b>31</b>
Requirement .....	31

R22, R407C Model variation T .....	31
R410A Model variation T .....	31
R22, R410A Model variation U.....	32
High and low pressure protection.....	32
System evaluation .....	33
Test, criteria and solutions .....	33
<b>Manage superheat.....</b>	<b>34</b>
Requirement.....	34
System evaluation .....	34
Test, criteria and solutions.....	35
<b>Manage off cycle migration .....</b>	<b>36</b>
Requirement.....	36
Evaluate the risk .....	36
Test, criteria and solutions.....	37
On/off cycling (cycle rate limit).....	37
<b>Provide power supply and electrical protection.....</b>	<b>38</b>
Wiring information.....	38
<b>Control logic.....</b>	<b>39</b>
Safety control logic requirements .....	39
Cycle rate limit requirements .....	39
Oil management logic recommendations .....	39
Defrost logic recommendations.....	40
Pump-down logic recommendations .....	40
<b>Reduce moisture in the system .....</b>	<b>41</b>
Requirements.....	41
Solutions .....	41
<b>Assembly line procedure .....</b>	<b>42</b>
Compressor storage.....	42
Compressor holding charge .....	42
Handling .....	42
Piping assembly .....	43
System pressure test and leak detection .....	43
Vacuum evacuation and moisture removal .....	44
Refrigerant charging.....	44
Dielectric strength and insulation resistance tests.....	44
<b>Commissioning .....</b>	<b>45</b>
Preliminary check .....	45
Initial start-up.....	45
System monitoring.....	45
Oil level checking and top-up.....	45
<b>Dismantle and disposal.....</b>	<b>46</b>
<b>ORDERING INFORMATION .....</b>	<b>47</b>
<b>Ordering information and packaging.....</b>	<b>47</b>
Packaging .....	47
Packaging details.....	47
Compressor code numbers.....	48
R22 Single pack .....	48
R22 Industrial pack.....	49
R407C Single pack.....	50
R407C Industrial pack.....	51
R410A Single pack.....	52
R410A Industrial pack .....	53
<b>Spare parts &amp; accessories.....</b>	<b>55</b>

## General Information

---

GENERAL INFORMATION


PRODUCT INFORMATION


SYSTEM DESIGN

INTEGRATION INTO SYSTEM

ORDERING INFORMATION

Danfoss scroll compressors are designed and manufactured according to the state of the art and to valid European and US regulations. Particular emphasis has been placed on safety and reliability. Related instructions are highlighted with the following icons:

 This icon indicates instructions to avoid safety risk.

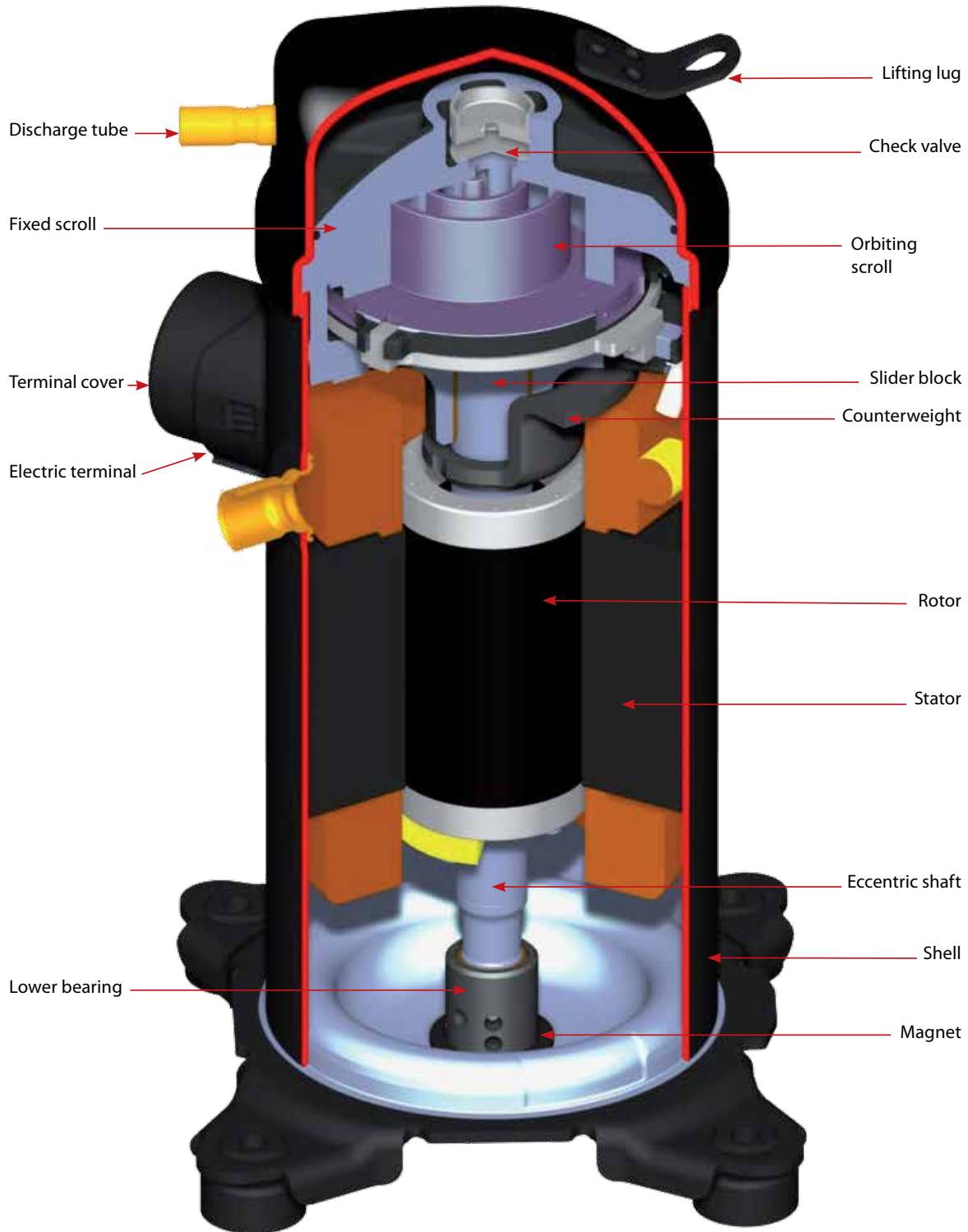
 This icon indicates instructions to avoid reliability risk.

You are strongly advise to follow these instructions. For any deviation from the guidelines, please contact Danfoss Technical Support.

## Features

Danfoss H-series scroll compressors are manufactured using the most advanced machining, assembly, and process control techniques. In design of both the compressor and the factory, very high standards of reliability

and process control were first priority. The result is a highly efficient product with the highest reliability obtainable, and a low sound level. The H-series compressors can be black or blue depending on the production site.



## Compressor model designation

Danfoss H-series scroll compressor for R22/R407C/R410A is available as single compressor and can be assembled in tandem combinations. The example below presents the compressor

nomenclature which equals the technical reference as shown on the compressor nameplate. Code numbers for ordering are listed section "Ordering information and packaging".

### Nomenclature

Type	Size	Motor	Features
<b>HRH</b>	<b>036</b>	<b>U1L</b>	<b>P6</b>

**Application:** \_\_\_\_\_  
**H:** high temperature / air conditioning

**Family:** \_\_\_\_\_  
**C:** commercial scroll  
**R:** residential scroll  
**L:** light commercial scroll

**Refrigerant & lubricant:** \_\_\_\_\_  
**M:** R22, alkylbenzene lubricant  
**P:** R407C, PVE lubricant  
**H:** R410A, PVE lubricant  
**J:** R410A, PVE lubricant


**Nominal capacity:** \_\_\_\_\_  
 In thousand Btu/h at 60 Hz,  
 ARI conditions

**Model variation** \_\_\_\_\_  
**T:** design optimized for 45/130°F  
**U:** design optimized for 45/100°F

**Other features**

	Oil sight glass	Oil equalization	Oil drain	LP gauge port	Gas equalization port
<b>6</b>	None	None	None	None	None
<b>7</b>	Threaded	None	None	None	None
<b>8</b>	None	Brazed	None	None	Brazed
<b>T</b>	None	Screw	Schrader	None	None

**Tubing and electrical connections**  
**P:** brazed connections, spade terminals  
**C:** brazed connections, screw terminals



**Motor protection**  
**L:** internal motor protection

**Motor voltage code**  
**1:** 208-230V/1~/60 Hz  
**2:** 200-220V/3~/50Hz & 208-230V/3~/60 Hz  
**4:** 380-415V/3~/50 Hz & 460V/3~/60 Hz  
**5:** 220-240V/1~/50 Hz  
**7:** 575V/ 3~/60 Hz  
**9:** 380V/3~/60 Hz

Feature Version T compressors are built with a threaded oil equalization port to be used with Danfoss variable speed compressors range VZH series.

## Technical specifications

### 50-60 Hz data

Model	Nominal tons 60 Hz	Nominal cooling capacity		Power input	COP	E.E.R	Swept volume	Displacement	Oil charge	Net weight	
	TR	W	Btu/h	kW	W/W	Btu/h/W	cu.in/rev	cu.ft/h	oz	lbs	
50Hz	HRM025T4	2	5 950	20 300	1.86	3.2	10.9	2.08	208	36	71
	HRM034U4	2.8	8 350	28 490	2.66	3.14	10.7	2.82	284	36	71
	HRM034T4	2.8	8 200	28 000	2.66	3.29	11.2	2.82	284	36	71
	HRM038U4	3.2	9 240	31 520	2.94	3.14	10.7	3.15	317	36	71
	HRM040U4	3.3	9 710	33 120	2.98	3.26	11.1	3.32	334	36	71
	HRM042U4	3.5	10 190	34 770	3.13	3.26	11.1	3.49	351	36	71
	HRM042T4	3.5	10 110	34 500	3.08	3.28	11.2	3.49	351	36	71
	HRM045U4	3.8	10 940	37 310	3.45	3.17	10.8	3.75	378	45	71
	HRM047U4	3.9	11 500	39 250	3.57	3.23	11	3.91	394	45	71
	HRM048U4	4	11 510	39 270	3.57	3.23	11	3.93	396	53	86
	HRM051T4	4.3	12 390	42 280	3.67	3.37	11.5	4.20	423	53	86
	HRM051U4	4.3	12 800	43 690	3.83	3.34	11.4	4.20	423	53	86
	HRM054U4	4.5	13 390	45 680	3.97	3.37	11.5	4.45	448	53	90
	HRM054T4	4.5	13 300	45 400	3.84	3.46	11.8	4.45	448	53	90
	HRM058U4	4.8	14 340	48 930	4.25	3.37	11.5	4.77	480	53	90
	HRM060T4	5	14 570	49 720	4.28	3.4	11.6	4.94	498	53	90
	HRM060U4	5	14 820	50 580	4.4	3.37	11.5	4.94	498	53	90
	HLM068T4	5.7	16 880	57 580	5	3.37	11.5	5.68	572	53	90
	HLM072T4	6	17 840	60 870	5.29	3.37	11.5	6.02	607	53	90
	HLM075T4	6.3	18 430	62 880	5.37	3.43	11.7	6.27	631	53	90
HLM081T4	6.8	19 890	67 880	5.8	3.43	11.7	6.77	682	53	90	
HCM094T4	7.8	23 060	78 670	6.8	3.39	11.6	7.69	774	90	104	
HCM109T4	9.1	26 690	91 070	7.77	3.43	11.7	9.08	914	90	104	
HCM120T4	10	29 130	99 390	8.51	3.42	11.7	9.91	998	90	104	
60Hz	HRM025T4	2	7 090	24 200	2.22	3.2	10.9	2.08	251	36	71
	HRM034U4	2.8	9 810	33 480	3.07	3.2	10.9	2.82	342	36	71
	HRM034T4	2.8	9 960	34 010	2.98	3.34	11.4	2.82	342	36	71
	HRM038U4	3.2	11 130	37 980	3.39	3.28	11.2	3.15	383	36	71
	HRM040U4	3.3	11 720	39 980	3.57	3.28	11.2	3.32	404	36	71
	HRM042U4	3.5	12 300	41 980	3.75	3.28	11.2	3.49	424	36	71
	HRM042T4	3.5	12 160	41 510	3.64	3.34	11.4	3.49	424	36	71
	HRM045U4	3.8	13 180	44 980	4.01	3.28	11.2	3.75	456	45	71
	HRM047U4	3.9	13 920	47 490	4.22	3.3	11.3	3.91	475	45	71
	HRM048U4	4	13 830	47 180	4.25	3.25	11.1	3.93	478	53	86
	HRM051T4	4.3	15 030	51 270	4.46	3.37	11.5	4.20	511	53	86
	HRM051U4	4.3	15 030	51 280	4.46	3.37	11.5	4.20	511	53	86
	HRM054U4	4.5	15 730	53 680	4.62	3.4	11.6	4.45	541	53	90
	HRM054T4	4.5	15 820	54 000	4.53	3.49	11.9	4.45	541	53	90
	HRM058U4	4.8	16 930	57 780	5.02	3.37	11.5	4.77	580	53	90
	HRM060T4	5	17 490	59 670	5.14	3.4	11.6	4.94	600	53	90
	HRM060U4	5	17 490	59 680	5.19	3.37	11.5	4.94	600	53	90
	HLM068T4	5.7	20 190	68 880	5.94	3.4	11.6	5.68	690	53	90
	HLM072T4	6	21 330	72 770	6.27	3.4	11.6	6.02	733	53	90
	HLM075T4	6.3	22 120	75 480	6.45	3.43	11.7	6.27	762	53	90
HLM081T4	6.8	23 880	81 470	6.96	3.43	11.7	6.77	822	53	90	
HCM094T4	7.8	27 690	94 470	8.07	3.43	11.7	7.69	935	90	104	
HCM109T4	9.1	32 020	109 270	9.33	3.43	11.7	9.08	1104	90	104	
HCM120T4	10	34 950	119 260	10.22	3.42	11.7	9.91	1205	90	104	

① Displacement at nominal speed: 2900 rpm at 50 Hz, 3500 rpm at 60 Hz

② Net weight with oil charge

TR = Ton of Refrigeration  
COP = Coefficient Of Performance  
EER = Energy Efficiency Ratio

Standard rating conditions: ARI standard  
Refrigerant: R22  
Superheat: 20 °F

Evaporating temperature: 45 °F  
Condensing temperature: 130 °F  
Sub-cooling: 15 °F

All performance test data after run-in 72hr  
Subject to modification without prior notification

Data given for motor code 4 compressor, for full data details and capacity tables refer to Online Datasheet Generator: [www.danfoss.com/ods](http://www.danfoss.com/ods)

GENERAL INFORMATION

PRODUCT INFORMATION

SYSTEM DESIGN

INTEGRATION INTO SYSTEM

ORDERING INFORMATION

## Technical specifications

### 50-60 Hz data

Model	Nominal tons 60 Hz	Nominal cooling capacity		Power input	COP	E.E.R	Swept volume	Displacement	Oil charge	Net weight	
	TR	W	Btu/h	kW	W/W	Btu/h/W	cu.in/rev	cu.ft/h	oz	lbs	
50Hz	HRP025T4	2.0	5730	19 570	1.86	3.08	10.5	2.08	208	36	71
	HRP034T4	2.8	7 940	27 080	2.68	2.96	10.1	2.82	284	36	71
	HRP038T4	3.2	8 840	30 150	2.82	3.14	10.7	3.15	317	36	71
	HRP040T4	3.3	9 110	31 080	3.14	2.90	9.9	3.32	334	36	71
	HRP042T4	3.5	9 580	32 680	3.30	2.90	9.9	3.49	351	36	71
	HRP045T4	3.8	10 810	36 890	3.58	3.02	10.3	3.75	378	45	71
	HRP047T4	3.9	11 130	37 980	3.69	3.02	10.3	3.91	394	45	71
	HRP048T4	4.0	11 100	37 880	3.35	3.31	11.3	3.93	396	53	86
	HRP051T4	4.3	12 120	41 370	3.83	3.17	10.8	4.20	423	53	86
	HRP054T4	4.5	12 570	42 880	3.97	3.17	10.8	4.44	447	53	90
	HRP058T4	4.8	13 470	45 970	4.25	3.17	10.8	4.77	480	53	90
	HRP060T4	5.0	13 860	47 280	4.26	3.25	11.1	4.94	498	53	90
	HLP068T4	5.7	15 700	53 560	5.10	3.08	10.5	5.68	572	53	90
	HLP072T4	6.0	16 620	56 740	5.30	3.14	10.7	6.02	606	53	90
	HLP075T4	6.3	18 040	61 550	5.54	3.26	11.1	6.27	631	53	90
	HLP081T4	6.8	19 480	66 510	5.99	3.25	11.1	6.77	682	53	90
HCP094T4	7.8	21 590	73 660	6.63	3.26	11.1	7.69	774	90	104	
HCP109T4	9.1	26 060	88 950	7.93	3.28	11.2	9.08	914	90	104	
HCP120T4	10.0	28 150	96 080	8.88	3.17	10.8	9.91	998	90	104	
60Hz	HRP025T4	2.0	6880	23 490	2.22	3.11	10.6	2.08	251	36	71
	HRP034T4	2.8	9580	32 700	3.20	3.00	10.2	2.82	342	36	71
	HRP038T4	3.2	10 670	36 410	3.36	3.18	10.8	2.82	383	36	71
	HRP040T4	3.3	10 990	37 510	3.70	2.97	10.1	3.32	404	36	71
	HRP042T4	3.5	11 560	39 460	3.93	2.94	10.0	3.49	424	36	71
	HRP045T4	3.8	13 050	44 540	4.27	3.06	10.4	3.75	456	45	71
	HRP047T4	3.9	12 690	43 300	4.24	3.00	10.2	3.91	475	45	71
	HRP048T4	4.0	13 400	45 740	3.99	3.36	11.5	3.93	478	53	86
	HRP051T4	4.3	14 380	49080	4.46	3.23	11.0	4.20	511	53	86
	HRP054T4	4.5	15 120	51 770	4.73	3.21	11.0	4.44	540	53	90
	HRP058T4	4.8	16 260	55 510	5.07	3.17	10.8	4.77	580	53	90
	HRP060T4	5.0	16 720	57 010	5.07	3.30	11.3	4.94	601	53	90
	HLP068T4	5.7	18 950	64 660	6.08	3.12	10.6	5.68	690	53	90
	HLP072T4	6.0	20 060	68 480	6.32	3.17	10.8	6.02	732	53	90
	HLP075T4	6.3	21 770	74 330	6.60	3.30	11.3	6.27	762	53	90
	HLP081T4	6.8	23 380	79 810	7.14	3.27	11.2	6.77	822	53	90
HCP094T4	7.8	26 060	88 950	7.90	3.30	11.3	7.69	935	90	104	
HCP109T4	9.1	31 450	107 350	9.46	3.32	11.3	9.08	1104	90	104	
HCP120T4	10.0	33 970	115 960	10.59	3.21	11.0	9.91	1205	90	104	

① Displacement at nominal speed: 2900 rpm at 50 Hz, 3500 rpm at 60 Hz

② Net weight with oil charge

TR = Ton of Refrigeration  
COP = Coefficient Of Performance  
EER = Energy Efficiency Ratio

Standard rating conditions: ARI standard  
Refrigerant: R407C  
Superheat: 20 °F

Evaporating temperature: 45 °F  
Condensing temperature: 130 °F  
Sub-cooling: 15 °F

All performance test data after run-in 72hr

Subject to modification without prior notification

Data given for motor code 4 compressor, for full data details and capacity tables refer to Online Datasheet Generator: [www.danfoss.com/odsg](http://www.danfoss.com/odsg)



## Technical specifications

### 50-60 Hz data

Model	Nominal tons 60 Hz	Nominal cooling capacity		Power input	COP	E.E.R	Swept volume	Displacement	Oil charge	Net weight	
	TR	W	Btu/h	kW	W/W	Btu/h/W	cu.in/rev	cu.ft/h	oz	lbs	
50Hz	HRH029U4	2.4	7 120	24 310	2.43	2.93	10	1.70	171	36	71
	HRH031U4	2.6	7 530	25 710	2.67	2.82	9.62	1.82	183	36	71
	HRH032U4	2.7	7 670	26 170	2.75	2.79	9.51	1.87	186	36	71
	HRH034U4	2.8	8 500	29 000	2.9	2.93	10	2.03	203	36	71
	HRH036U4	3	8 820	30 110	3.13	2.82	9.62	2.12	213	36	71
	HRH038U4	3.2	9 250	31 560	3.35	2.76	9.41	2.23	225	36	86
	HRH040U4	3.3	10 200	34 810	3.58	2.85	9.72	2.42	244	45	86
	HRH041U4	3.3	10 050	34 300	3.43	2.93	10	2.40	240	53	86
	HRH044U4	3.7	10 830	36 940	3.92	2.76	9.41	2.60	262	53	86
	HRH047U4	3.9	11 340	38 700	3.87	2.93	10.01	2.71	273	53	86
	HRH049U4	4.1	12 110	41 320	4.04	2.99	10.22	2.89	291	53	86
	HRH051U4	4.3	12 860	43 890	4.21	3.05	10.42	3.01	303	53	90
	HRH054U4	4.5	13 340	45 510	4.41	3.02	10.32	3.18	320	53	90
	HRH056U4	4.7	13 830	47 200	4.58	3.02	10.31	3.30	333	53	90
	HLH061T4	5.1	15 210	51 880	4.89	3.11	10.61	3.53	357	53	90
	HLH068T4	5.7	16 880	57 610	5.26	3.21	10.96	3.93	396	53	90
	HLJ072T4	6	17 840	60 900	5.56	3.21	11	4.15	417	53	90
	HLJ075T4	6.3	18 600	63 490	5.77	3.22	11	4.32	435	53	90
	HLJ083T4	6.9	20 420	69 690	6.28	3.25	11.1	4.77	480	53	90
	H CJ090T4	7.5	22 320	76 190	7.19	3.11	10.6	5.30	534	90	97
H CJ091T4	7.5	22 380	76 360	7.03	3.18	10.87	5.30	534	83	108	
H CJ105T4	8.8	26 100	89 090	8.25	3.16	10.8	6.20	624	90	97	
H CJ106T4	8.8	26 050	88 880	8.07	3.23	11.01	6.20	624	83	108	
H CJ120T4	10	29 610	101 080	9.53	3.11	10.6	7.10	715	90	97	
H CJ121T4	10	29 720	101 400	9.22	3.22	11	7.10	715	83	108	
60Hz	HRH029U4	2.4	8 500	29 000	2.84	2.99	10.2	1.70	206	36	71
	HRH031U4	2.6	9 080	30 990	3.04	2.99	10.2	1.82	221	36	71
	HRH032U4	2.7	9 380	31 990	3.1	3.02	10.3	1.87	227	36	71
	HRH034U4	2.8	10 110	34 510	3.38	2.99	10.2	2.03	245	36	71
	HRH036U4	3	10 370	35 390	3.47	2.99	10.2	2.12	258	36	71
	HRH038U4	3.2	11 100	37 890	3.79	2.93	10	2.23	271	36	86
	HRH040U4	3.3	12 160	41 490	4.03	3.02	10.3	2.42	293	45	86
	HRH041U4	3.3	12 100	41 300	4.05	2.99	10.2	2.40	293	53	86
	HRH044U4	3.7	13 010	44 390	4.31	3.02	10.3	2.60	316	53	86
	HRH047U4	3.9	13 630	46 510	4.56	2.99	10.2	2.71	329	53	86
	HRH049U4	4.1	14 360	48 990	4.66	3.08	10.5	2.89	351	53	86
	HRH051U4	4.3	15 180	51 780	4.84	3.14	10.7	3.01	366	53	90
	HRH054U4	4.5	15 970	54 480	5.14	3.11	10.6	3.18	386	53	90
	HRH056U4	4.7	16 670	56 880	5.36	3.11	10.6	3.30	401	53	90
	HLH061T4	5.1	18 050	61 580	5.7	3.17	10.8	3.53	428	53	90
	HLH068T4	5.7	20 130	68 670	6.3	3.2	10.9	3.93	477	53	90
	HLJ072T4	6	21 240	72 500	6.65	3.19	10.9	4.15	504	53	90
	HLJ075T4	6.3	22 320	76 190	6.86	3.25	11.1	4.32	525	53	90
	HLJ083T4	6.9	24 340	83 090	7.55	3.22	11	4.77	579	53	90
	H CJ090T4	7.5	26 810	91 500	8.47	3.16	10.8	5.30	644	90	97
H CJ091T4	7.5	27 140	92 600	8.37	3.24	11.07	5.30	644	83	108	
H CJ105T4	8.8	31 170	106 390	9.75	3.2	10.9	6.20	754	90	97	
H CJ106T4	8.8	31 670	108 050	9.67	3.28	11.18	6.20	754	83	108	
H CJ120T4	10	35 620	121 600	11.15	3.2	10.9	7.10	863	90	97	
H CJ121T4	10	35 940	122 620	11.07	3.25	11.08	7.10	863	83	108	

① Displacement at nominal speed: 2900 rpm at 50 Hz, 3500 rpm at 60 Hz

② Net weight with oil charge

TR = Ton of Refrigeration  
COP = Coefficient Of Performance  
EER = Energy Efficiency Ratio

Standard rating conditions: ARI standard  
Refrigerant: R410A  
Superheat: 20 °F

Evaporating temperature: 45 °F  
Condensing temperature: 130 °F  
Sub-cooling: 15 °F

All performance test data after run-in 72hr  
Subject to modification without prior notification

Data given for motor code 4 compressor, for full data details and capacity tables refer to Online Datasheet Generator: [www.danfoss.com/odsg](http://www.danfoss.com/odsg)

GENERAL INFORMATION

PRODUCT INFORMATION

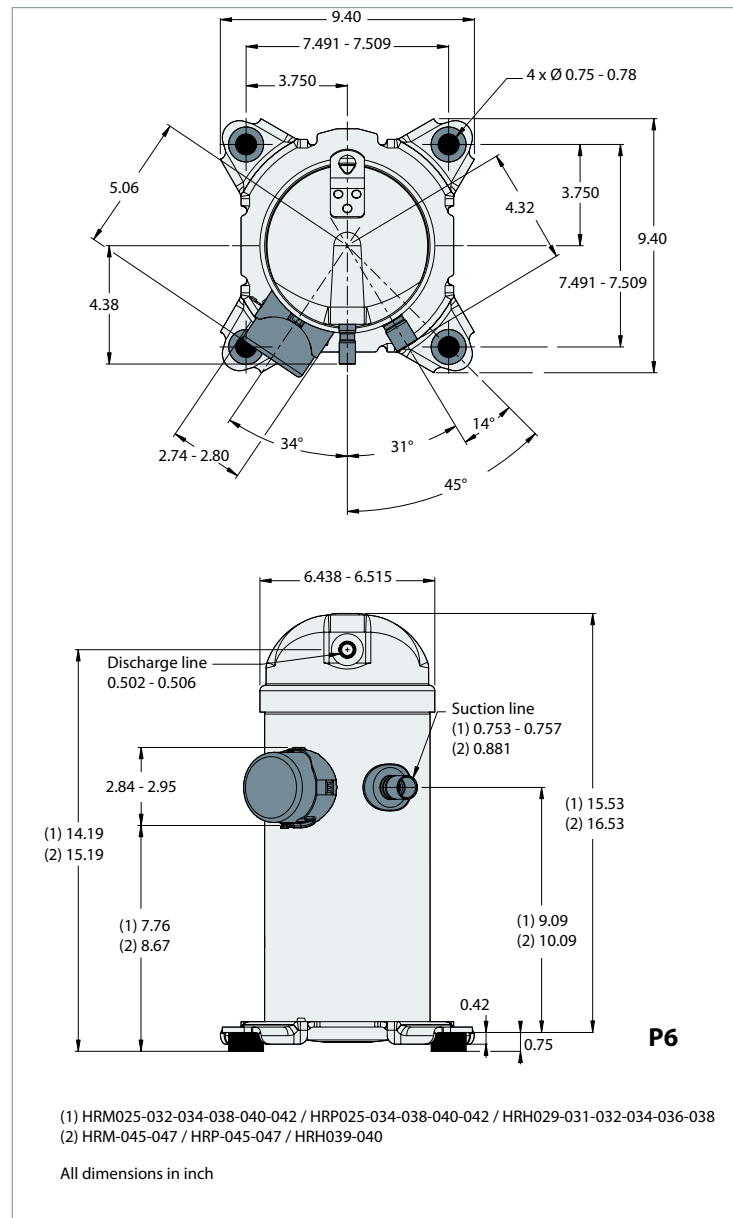
SYSTEM DESIGN

INTEGRATION INTO SYSTEM

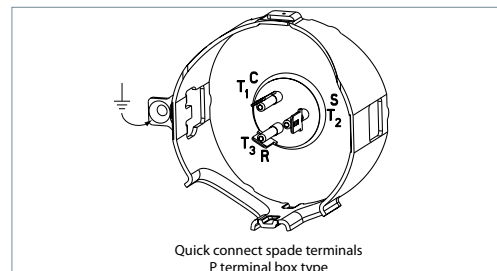
ORDERING INFORMATION

## Dimensions

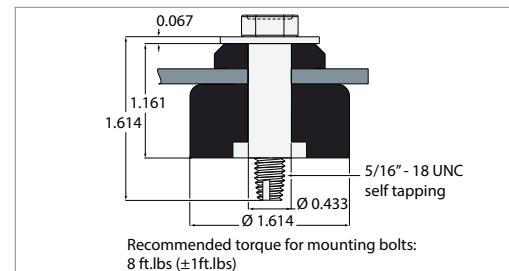
HRM025-032-034-038-040-042 / HRP025-034-038-040-042 / HRH029-031-032-034-036-038 / HRM-045-047 / HRP-045-047 / HRH039-040



### Terminal box



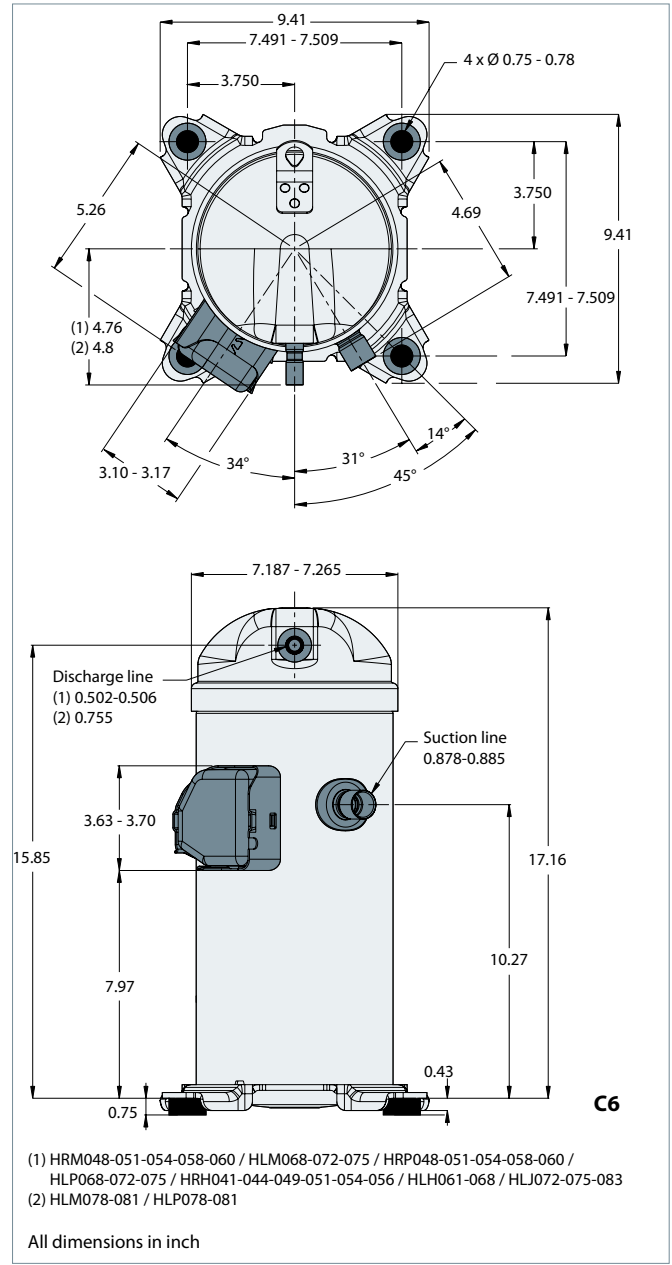
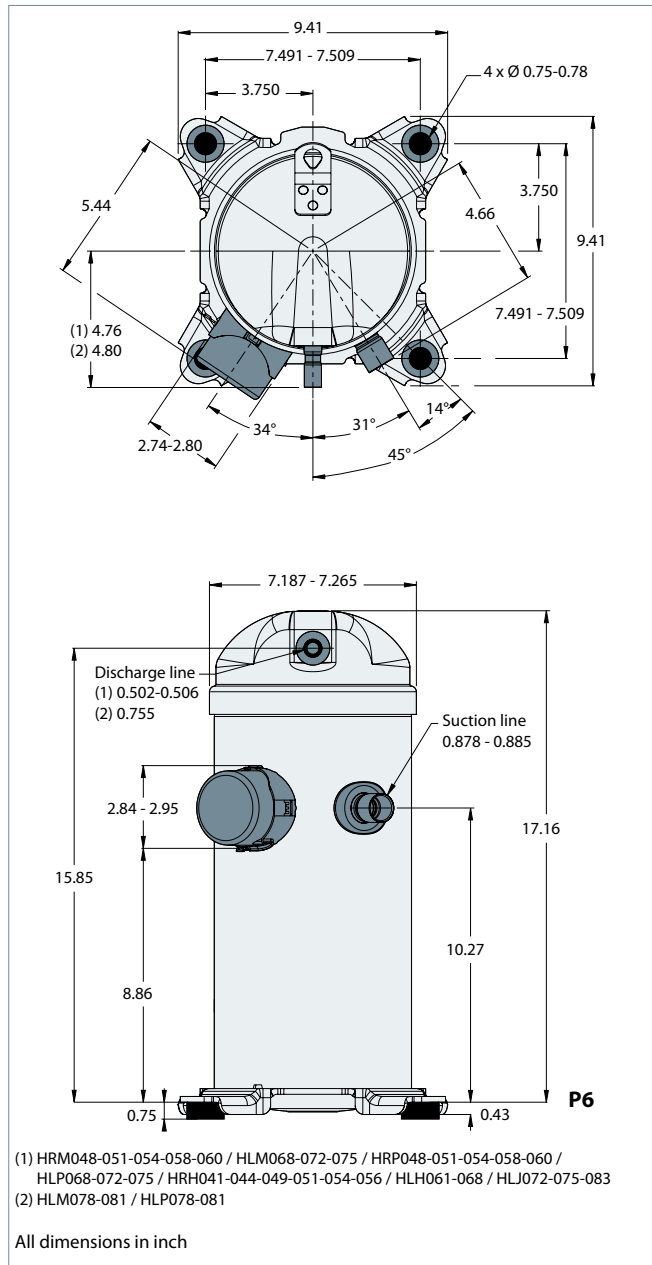
### Mounting grommet



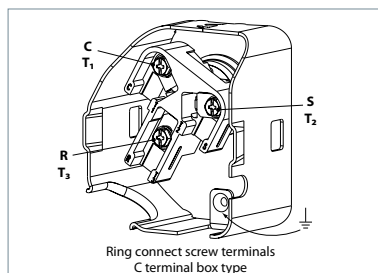
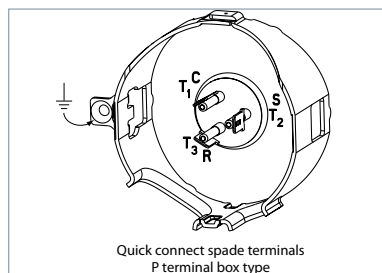
Refer to "Spareparts & Accessories section" for overview of shipped mounting accessories

## Dimensions

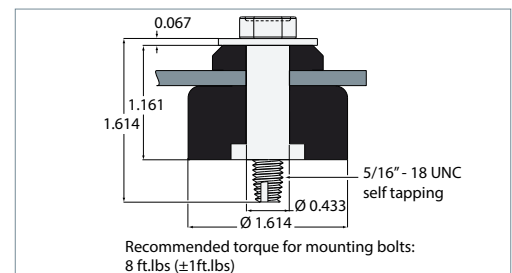
HRM048-051-054-058-060 / HLM068-072-075-078-081 / HRP048-051-054-058-060 /  
 HLP068-072-075-078-081 / HRH041-044-049-051-054-056 / HLH061-068 / HLJ072-075-083



### Terminal boxes



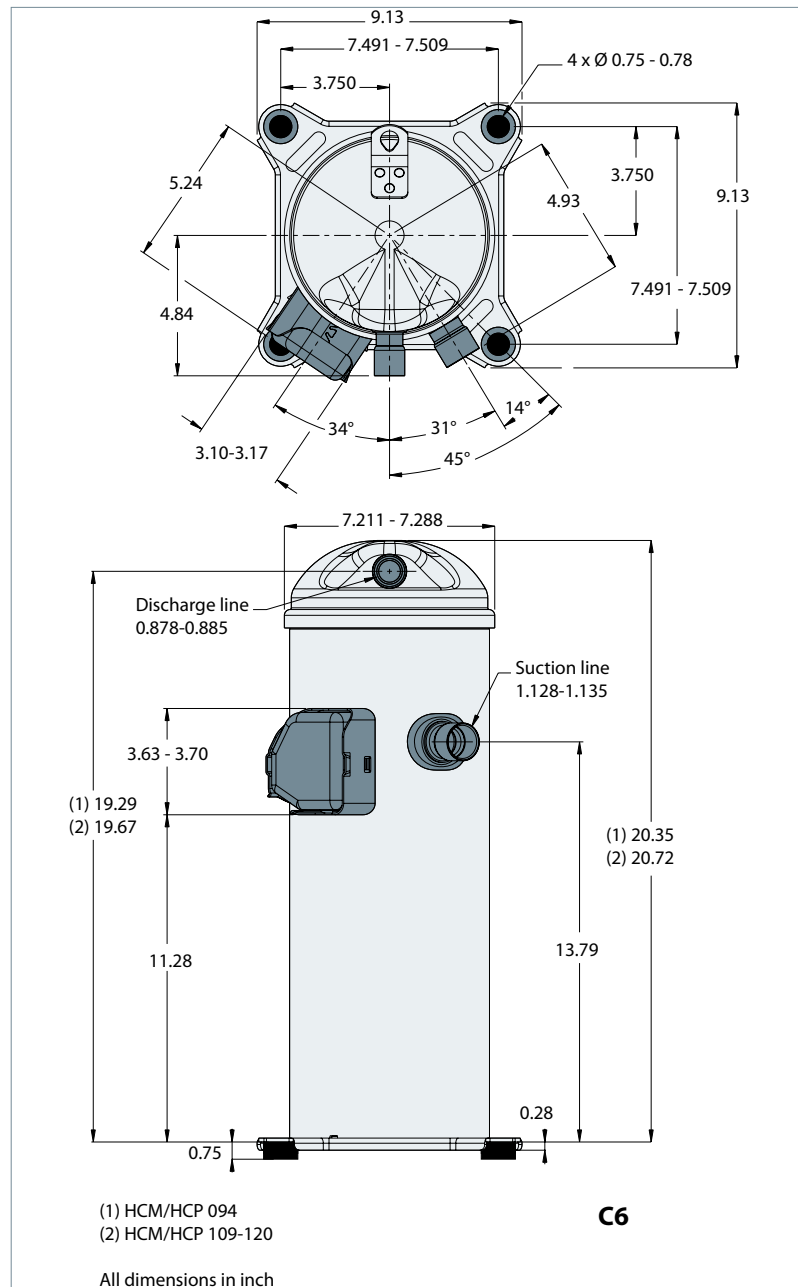
### Mounting grommet



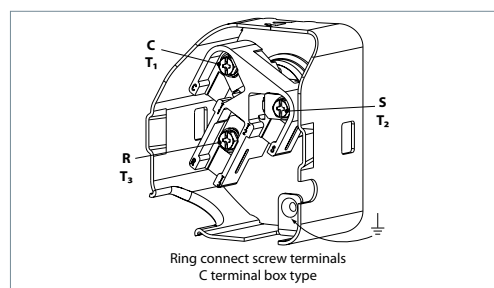
Refer to "Spareparts & Accessories section" for overview of shipped mounting accessories

## Dimensions

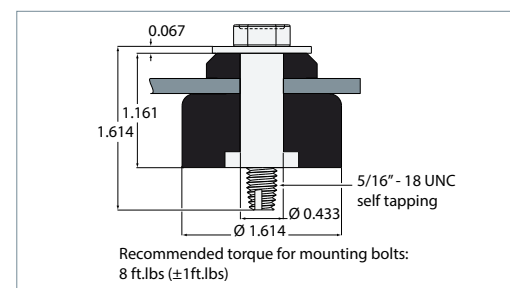
### HCM/HCP 094-109-120



#### Terminal box



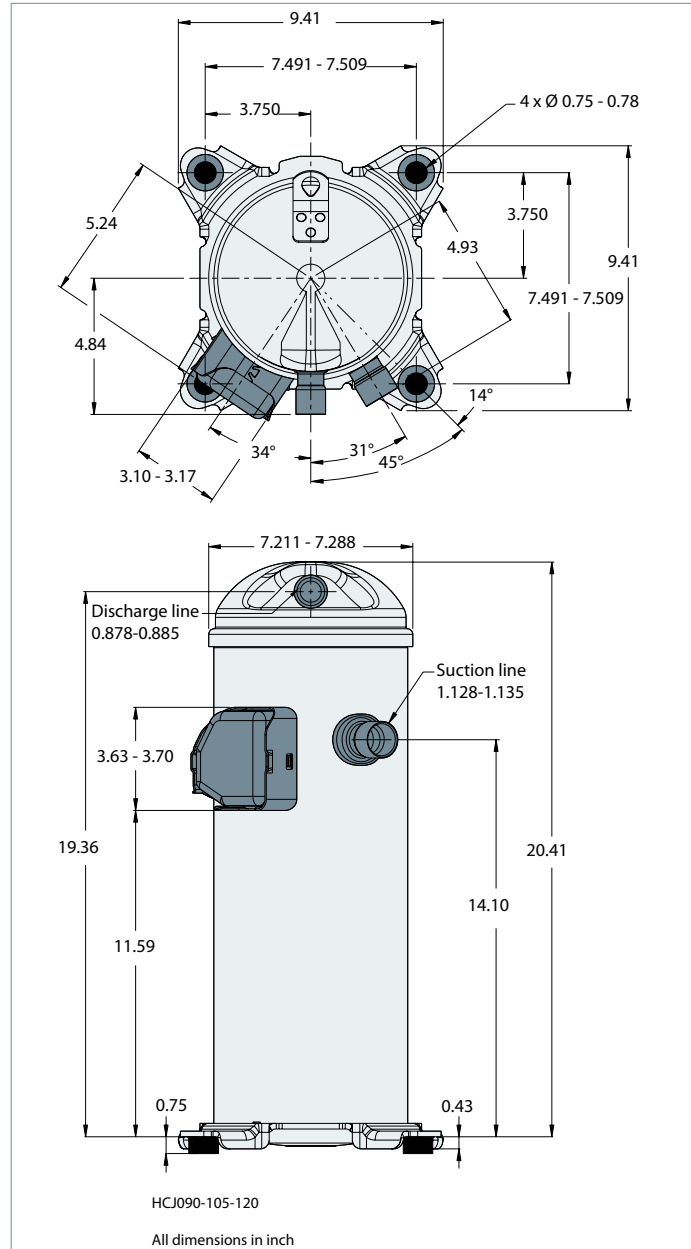
#### Mounting grommet



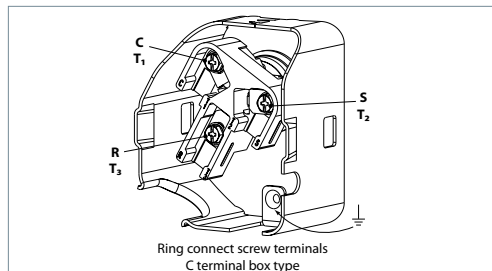
Refer to "Spareparts & Accessories section" for overview of shipped mounting accessories

## Dimensions

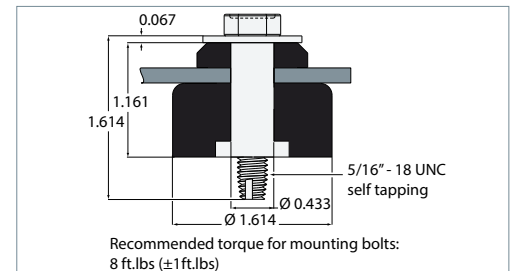
### HCJ090-105-120



#### Terminal boxes



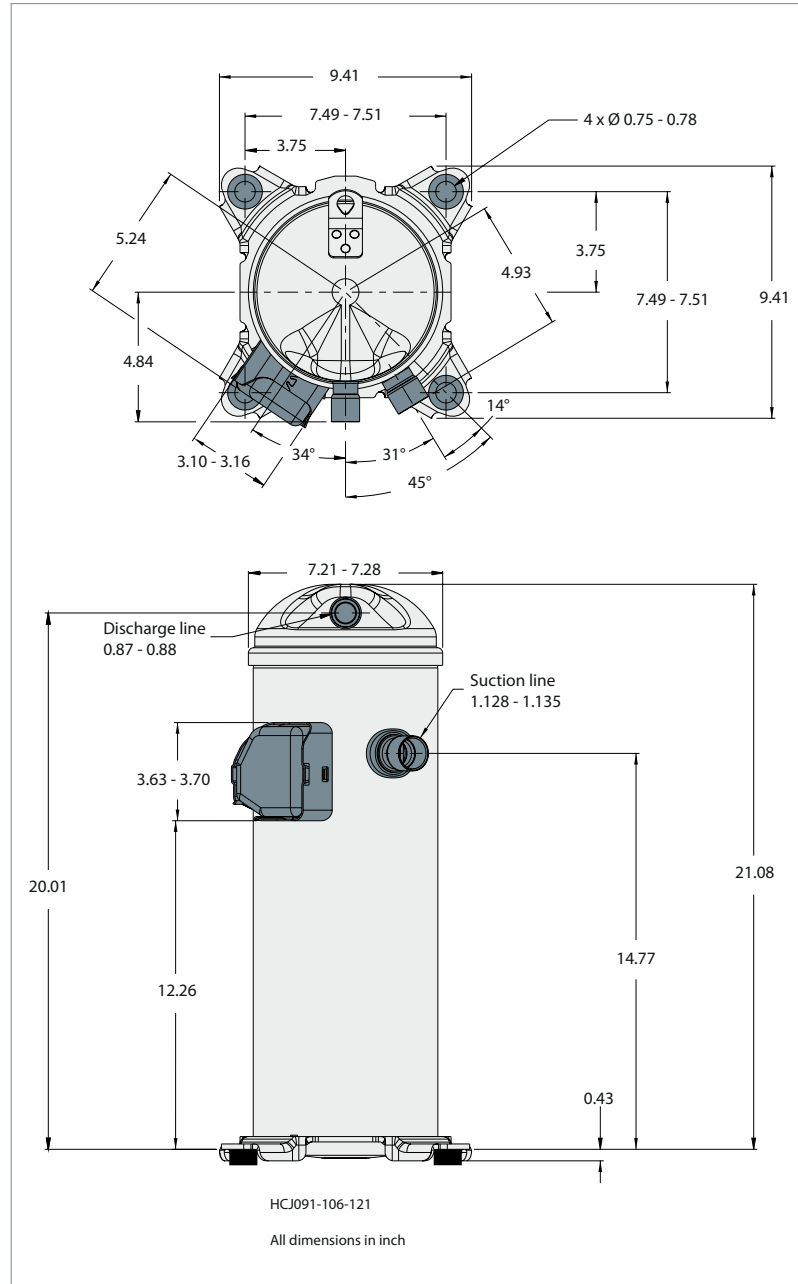
#### Mounting grommet



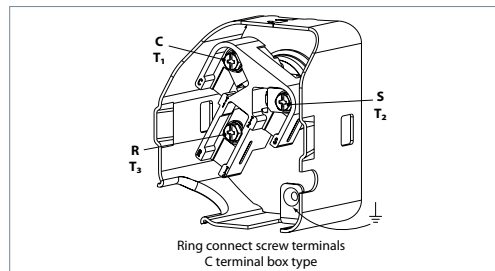
Refer to "Spareparts & Accessories section" for overview of shipped mounting accessories

# Dimensions

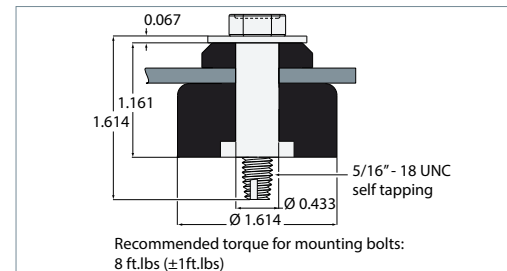
## HCJ091-106-121



### Terminal box



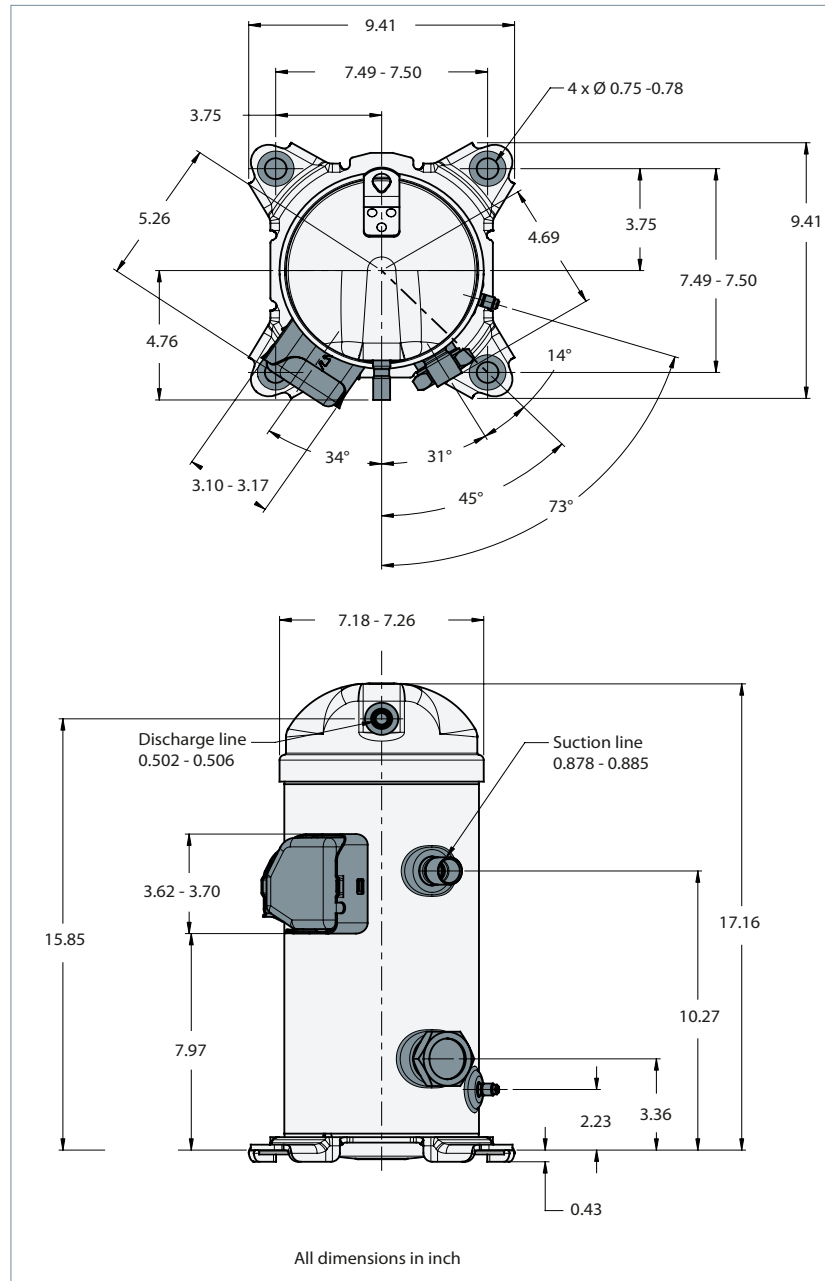
### Mounting grommet



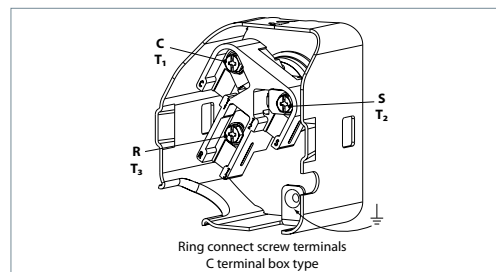
Refer to "Spareparts & Accessories section" for overview of shipped mounting accessories

## Dimensions

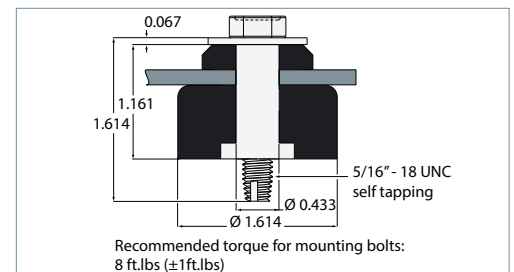
### HLH061-HLJ072-HLJ083



#### Terminal box



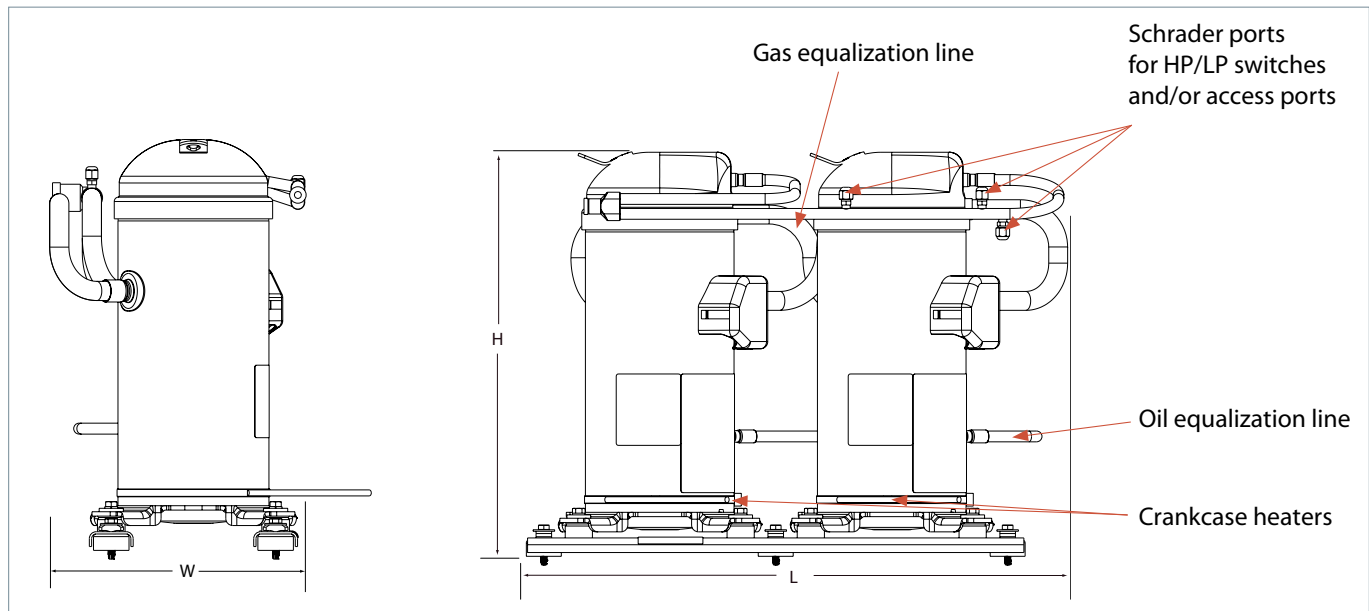
#### Mounting grommet



Refer to "Spareparts & Accessories section" for overview of shipped mounting accessories

Version T compressors are built with a threaded oil equalization port to be used with our variable speed compressors range VZH.

## Dimensions



By default, H series tandems are not factory-built, just provide tandem version compressors (feature 8).

Tandems to be achieved by assembly of individual compressors, if they are the feature 8 compressor.

Tandem model	Composition	L (inch)	H (inch)	W (inch)	Outline drawing number
TLJ082	HRH041 + HRH041	25.04	18.74	11.69	8556080
TLJ098	HRH049 + HRH049	25.04	18.74	11.69	8556080
TLJ122	HLH061 + HLH061	25.04	18.74	11.69	8556080
TLJ136	HLH068 + HLH068	25.04	18.74	11.69	8556080
TLJ144	HLJ072 + HLJ072	25.04	18.74	11.69	8556080
TLJ166	HLJ083 + HLJ083	25.04	18.74	11.69	8556080
TCJ180	HCJ090 + HCJ090	26.61	21.97	12.28	8556081
TCJ181	HCJ091 + HCJ091	26.61	22.64	12.28	8556153
TCJ210	HCJ105 + HCJ105	26.61	21.97	12.28	8556081
TCJ211	HCJ106 + HCJ106	26.61	22.64	12.28	8556153
TCJ240	HCJ120 + HCJ120	26.61	21.97	12.28	8556081
TCJ241	HCJ121 + HCJ121	26.61	22.64	12.28	8556153



## Electrical data, connections and wiring

### Motor voltage

Danfoss scroll compressors H Series are available in four different motor voltages as listed below.

Motor voltage code	Code 1	Code 2	Code 4	Code 5	Code 7	Code 9
Nominal voltage 50 Hz	-	200-220 V - 3 ph	380-415V - 3 ph	220-240 V -1 ph	-	-
Voltage range 50 Hz	-	180 - 242 V	342 - 457 V	198 - 264 V	-	-
Nominal voltage 60 Hz	208-230 V - 1ph	208-230 V - 3 ph	460 V - 3 ph	-	575 V - 3 ph	380 V - 3 ph
Voltage range 60 Hz	187 - 253 V	187 - 253 V	414 - 506 V	-	517 - 632 V	342 - 418 V

The maximum allowable voltage imbalance is 2%. Voltage imbalance causes high amperage over one or several phases, which in turn leads

to overheating and possible motor damage. Voltage imbalance is given by the formula:

$$\% \text{ voltage unbalance: } \frac{|V_{\text{avg}} - V_{1-2}| + |V_{\text{avg}} - V_{1-3}| + |V_{\text{avg}} - V_{2-3}|}{2 \times V_{\text{avg}}} \times 100$$

$V_{\text{avg}}$  = Mean voltage of phases 1, 2 and 3  
 $V_{1-2}$  = Voltage between phases 1 and 2

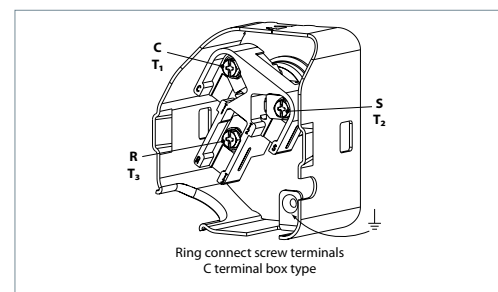
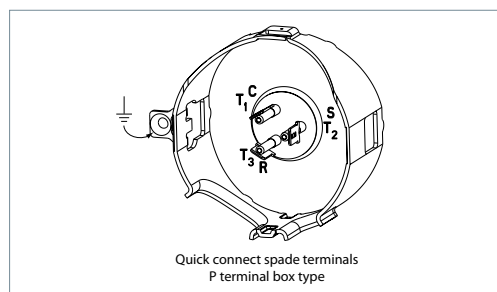
$V_{1-3}$  = Voltage between phases 1 and 3  
 $V_{2-3}$  = Voltage between phases 2 and 3.

### Wiring connections

Danfoss Scroll Compressors H-series will only compress gas while rotating counter-clockwise (when viewed from the compressor top). Since single-phase motors will start and run in only one direction, reverse rotation is not a major consideration. Three-phase motors, however, will start and run in either direction, depending on the phase angles of the supplied power. Care must be taken during installation to ensure that the compressor operates in the correct direction (see "Phase sequence and reverse rotation protection").

Electrical box cover must be fitted and cable gland or similar protection component must be used on electrical box's knockouts before energizing the compressor to against accidental contact with electrical parts inside.

The drawings below show electrical terminal labelling and should be used as a reference when wiring the compressor. For three phase applications, the terminals are labelled T1, T2, and T3. For single-phase applications the terminals are labelled C (common), S (start), and R (run).

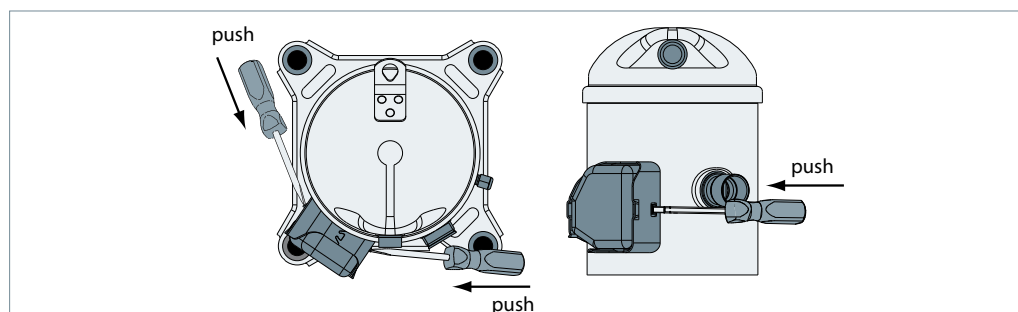


### Terminal cover mounting

The terminal cover and gasket should be installed prior to operation of the compressor. The terminal cover has two outside tabs, 180 degrees apart, that engage the terminal fence.

When installing the cover, check that it is not pinching the lead wires. Both the inside of the terminal cover and the gasket have labels for the terminal pins: C (common), R (run), and S (start).

### Terminal cover removal



## Electrical data, connections and wiring

### Three phase electrical characteristics

Compressor model	LRA	MCC	Max. operating current	Winding resistance (Ohm)			
	A	A	A	L2-L3	L1-L3	L2-L1	
Motor voltage code 2 200-220 V / 3 ph / 50 Hz 208-230 V / 3 ph / 60 Hz	HRM034U2	95	17.5	13.6	1.18	0.87	1.18
	HRM038U2	95	19	14.8	1.18	0.87	1.18
	HRM040U2	95	20	15.5	1.18	0.87	1.18
	HRM042U2	95	22	16.6	1.18	0.87	1.18
	HRM045U2	115	25	18.9	0.98	0.73	0.98
	HRM047U2	115	25	20.1	0.98	0.73	0.98
	HRM054U2	123	27	21.7	0.59	0.59	0.59
	HRM058U2	123	27	22.7	0.59	0.59	0.59
	HRM060U2	123	28	23.5	0.59	0.59	0.59
	HLM068T2	170	30	26.6	0.48	0.48	0.46
	HLM072T2	170	30	28.2	0.48	0.48	0.46
	HLM075T2	190	35	31.6	0.42	0.42	0.42
	HLM081T2	190	39	35.2	0.42	0.42	0.42
	HCM094T2	190	40	36.1	0.37	0.37	0.37
Motor voltage code 4 380-415 V / 3ph / 50 Hz 460 V / 3 ph / 60 Hz	HCM109T2	235	46	40.7	0.33	0.32	0.32
	HCM120T2	250	55	47.6	0.30	0.29	0.29
	HRM025T4	30	7	4.9	6.72	4.95	6.72
	HRM034T4	45	9.5	6.8	4.66	3.42	4.66
	HRM034U4	45	9.5	6.8	4.66	3.42	4.66
	HRM038T4	45	9.5	7.6	4.66	3.42	4.66
	HRM038U4	45	10	7.2	4.66	3.42	4.66
	HRM040U4	45	10	7.5	4.66	3.42	4.66
	HRM042T4	45	11	8.3	4.66	3.42	4.66
	HRM042U4	45	11	8.3	4.66	3.42	4.66
	HRM045U4	50	12	8.9	3.87	2.85	3.87
	HRM047T4	50	12	9.3	3.87	2.85	3.87
	HRM047U4	50	12	9.3	3.87	2.85	3.87
	HRM048U4	60	12.5	9.4	2.65	2.61	2.60
Motor voltage code 7 575 V / 3ph / 60 Hz	HRM051T4	60	13	9.8	2.65	2.62	2.60
	HRM054T4	70	12.5	10.5	2.37	2.35	2.34
	HRM054U4	70	13.1	11.0	2.37	2.35	2.34
	HRM058U4	70	15	11.3	2.37	2.35	2.34
	HRM060T4	70	15	11.7	2.37	2.36	2.35
	HRM060U4	70	15	11.7	2.37	2.35	2.34
	HLM068T4	82	15	12.4	1.80	1.88	1.87
	HLM072T4	82	15	14.1	1.82	1.86	1.85
	HLM075T4	100	16	15.0	1.70	1.68	1.69
	HLM078T4	87	16	15.6	1.67	1.69	1.72
	HLM081T4	87	17	16.6	1.82	1.82	1.83
	HCM094T4	95	21	18.1	1.48	1.48	1.48
	HCM109T4	110	24	20.3	1.30	1.28	1.34
	HCM120T4	140	25	23.9	1.13	1.11	1.10
Motor voltage code 9 380 V / 3ph / 60 Hz	HRM038U7	38	8.5	6.2	7.34	5.38	7.34
	HRM042U7	38	9	6.6	7.34	5.38	7.34
	HRM045U7	40	9.5	7.1	6.09	4.47	6.09
	HRM047U7	40	10	7.4	6.09	4.47	6.09
	HRM054U7	53	11	8.4	4.12	4.06	4.03
	HRM058U7	53	11.5	8.8	4.12	4.06	4.03
	HRM060U7	53	11.5	9.1	4.04	3.97	3.94
	HLM072T7	63.6	11.5	11.3	2.98	2.83	2.87
Motor voltage code 2 200-220 V / 3 ph / 50 Hz 208-230 V / 3 ph / 60 Hz	HLM075T7	72	13.5	11.8	2.51	2.48	2.53
	HCM094T7	75	16	14.4	2.30	2.31	2.34
	HRM034T9	52	12	8.3	3.01	2.20	3.01
	HRM038T9	52	12	9.3	3.01	2.20	3.01
	HRM042T9	52	12.5	10.1	3.01	2.20	3.01
	HRM047T9	59.6	8.3	11.3	2.51	1.84	2.51
	HRM054T9	81	16.5	12.7	1.49	1.46	1.48
	HRM060T9	81	17	14.2	1.03	1.02	1.03
Motor voltage code 2 200-220 V / 3 ph / 50 Hz 208-230 V / 3 ph / 60 Hz	HLM072T9	96	20	17.0	1.27	1.25	1.28
	HLM081T9	110	19	20.4	1.13	1.08	1.10
	HCM094T9	135	25	21.9	0.93	0.91	0.93
	HCM120T9	135	27	23.9	0.87	0.88	0.89
	HRP025T2		14.5	9.6	1.67	1.23	1.67
	HRP038T2	95	19	14.8	1.18	0.87	1.18
	HRP040T2	95	20	15.5	1.18	0.87	1.18
	HRP047T2	115	25	20.1	0.98	0.73	0.98
	HRP051T2	120	26	20.1	0.68	0.67	0.67
	HRP058T2	123	27	22.7	0.59	0.59	0.59
	HRP060T2	123	28	23.5	0.59	0.59	0.59
	HLP068T2	170	32	27.3	0.48	0.48	0.46
	HLP072T2	170	33	28.2	0.48	0.48	0.46
	HLP075T2	190	35	31.6	0.41	0.40	0.41
HLP078T2	190	37	33.4	0.43	0.43	0.44	
HLP081T2	190	39	35.2	0.43	0.43	0.44	
HCP094T2	190	40	36.1	0.37	0.37	0.37	
HCP109T2	235	46	40.7	0.33	0.32	0.32	
HCP120T2	250	55	47.6	0.30	0.29	0.29	

## Electrical data, connections and wiring

### Three phase electrical characteristics

Compressor model	LRA	MCC	Max. operating current	Winding resistance (Ohm)			
	A	A	A	L2-L3	L1-L3	L2-L1	
Motor voltage code 4 380-415 V / 3ph / 50 Hz 460 V / 3 ph / 60 Hz	HRP025T4	30	7	4.9	6.72	4.95	6.72
	HRP034T4	45	9.5	6.8	4.66	3.42	4.66
	HRP038T4	45	11	7.9	4.66	3.42	4.66
	HRP040T4	45	12	8.6	4.66	3.42	4.66
	HRP042T4	45	11	8.3	4.66	3.42	4.66
	HRP045T4	50	12	8.9	3.87	2.85	3.87
	HRP047T4	50	12	9.3	3.87	2.85	3.87
	HRP048T4	60	12	9.0	2.65	2.61	2.60
	HRP051T4	60	13	9.8	2.65	2.62	2.60
	HRP054T4	70	12.5	10.5	2.37	2.37	2.37
	HRP058T4	70	14	11.3	2.36	2.33	2.32
	HRP060T4	70	14	11.7	2.37	2.36	2.35
	HLP068T4	82	15	12.4	1.80	1.88	1.87
	HLP072T4	87	15	14.1	1.91	1.93	1.94
	HLP075T4	100	17	15.0	1.62	1.60	1.63
	HLP078T4	87	16	15.6	1.67	1.69	1.72
HLP081T4	87	17	16.6	1.90	1.88	1.89	
HCP094T4	95	21	18.1	1.48	1.48	1.48	
HCP109T4	110	24	20.3	1.30	1.28	1.34	
HCP120T4	140	25	23.9	1.13	1.11	1.10	
Motor voltage code 2 200-220 V / 3 ph / 50 Hz 208-230 V / 3 ph / 60 Hz	HRH029U2	95	20	14.8	1.18	0.87	1.18
	HRH031U2	95	20	15.8	1.18	0.87	1.18
	HRH032U2	95	20	16.3	1.18	0.87	1.18
	HRH034U2	95	22	17.4	1.18	0.87	1.18
	HRH036U2	95	22	18.4	1.18	0.87	1.18
	HRH038U2	115	23	18.8	0.98	0.73	0.98
	HRH040U2	115	25	19.8	0.98	0.73	0.98
	HRH041U2	120	25	16.8	0.68	0.67	0.67
	HRH044U2	120	26	17.5	0.68	0.67	0.67
	HRH047U2	115	27	22.4	0.83	0.61	0.83
	HRH048U2	115	27	23.0	0.83	0.61	0.83
	HRH049U2	120	26	18.1	0.68	0.67	0.67
	HRH050U2	115	30	23.3	0.83	0.61	0.83
	HRH051U2	121.5	27.5	20.5	0.59	0.59	0.59
	HRH054U2	123	27.5	20.5	0.59	0.59	0.59
	HRH056U2	120	27.5	21.1	0.61	0.60	0.60
	HLH061T2	170	30	24.9	0.48	0.48	0.46
	HLH068T2	160	35.6	25.7	0.45	0.45	0.45
	HLJ072T2	180	35	30.0	0.42	0.42	0.42
	HLJ075T2	190	35	31.2	0.41	0.40	0.41
HLJ083T2	190	39	34.0	0.36	0.36	0.37	
H CJ090T2	235	45	37.4	0.33	0.32	0.32	
H CJ105T2	235	45	42.1	0.33	0.32	0.32	
H CJ120T2	250	55	48.9	0.33	0.33	0.33	
Motor voltage code 4 380-415 V / 3ph / 50 Hz 460 V / 3 ph / 60 Hz	HRH029U4	45	10	6.8	4.66	3.42	4.66
	HRH031U4	45	10	7.3	4.66	3.42	4.66
	HRH032U4	45	10	7.5	4.66	3.42	4.66
	HRH034U4	45	10	8.0	4.66	3.42	4.66
	HRH036U4	45	10	8.4	4.66	3.42	4.66
	HRH038U4	50	12	9.4	3.87	2.85	3.87
	HRH040U4	50	12	10.0	3.87	2.85	3.87
	HRH041U4	60	13	8.8	2.65	2.61	2.60
	HRH044U4	60	13.5	9.1	2.65	2.61	2.60
	HRH047U4	53	13	10.0	3.29	2.41	3.29
	HRH048U4	53	14	10.5	3.29	2.41	3.29
	HRH049U4	60	13.5	10.2	2.65	2.61	2.60
	HRH051U4	70	13	8.3	2.37	2.35	2.34
	HRH054U4	70	15	10.2	2.37	2.36	2.35
	HRH056U4	70	15	10.6	2.37	2.35	2.34
	HLH061T4	82	15	12.8	1.83	1.85	1.84
	HLH068T4	87	19	12.8	1.93	1.92	1.93
	HLJ072T4	87	19	13.4	1.93	1.92	1.93
	HLJ075T4	100	18	15.7	1.62	1.60	1.63
HLJ083T4	100	19	15.7	1.48	1.44	1.47	
H CJ090T4	110	19	21.0	1.29	1.28	1.33	
H CJ091T4	125	25	19.0	0.98	0.97	1.01	
H CJ105T4	110	25	21.5	1.31	1.29	1.35	
H CJ106T4	125	26	21.5	0.98	0.97	1.01	
H CJ120T4	140	27	26.9	1.13	1.11	1.10	
H CJ121T4	125	27	24.0	0.98	0.97	1.01	

GENERAL INFORMATION

PRODUCT INFORMATION

SYSTEM DESIGN

INTEGRATION INTO SYSTEM

ORDERING INFORMATION

## Electrical data, connections and wiring

### Three phase electrical characteristics

Compressor model	LRA	MCC	Max. operating current	Winding resistance (Ohm)			
	A	A	A	L2-L3	L1-L3	L2-L1	
Motor voltage code 7 575 V / 3ph / 60 Hz	HRH032U7	38	8.5	6.2	7.34	5.38	7.34
	HRH034U7	38	8.5	6.6	7.34	5.38	7.34
	HRH036U7	38	8.5	7.0	7.34	5.38	7.34
	HRH038U7	40	9.5	6.7	6.09	4.47	6.09
	HRH040U7	40	10	6.7	6.09	4.47	6.09
	HRH041U7	42	10	6.6	4.47	4.40	4.39
	HRH049U7	42	10.5	7.4	4.47	4.40	4.39
	HRH051U7	53	11.5	7.8	4.12	4.06	4.03
	HRH054U7	53	11.7	8.2	4.12	4.06	4.03
	HRH056U7	53	12.5	8.5	4.12	4.06	4.03
	HLH061T7	63.6	12	10.8	2.89	2.83	2.87
	HLH068T7	62	13.5	10.4	3.26	3.29	3.33
	HLJ072T7	62	15	11.0	3.26	3.29	3.33
	HLJ083T7	72	14.5	12.5	2.51	2.48	2.53
H CJ090T7	95	17	16.3	0.98	0.97	1.01	
H CJ105T7	95	18.5	18.5	2.05	1.96	1.99	
H CJ120T7	100	20	21.4	1.75	1.66	1.73	
Motor voltage code 9 380 V / 3ph / 60 Hz	HRH031U9	52	12.5	8.3	3.01	2.20	3.01
	HRH034U9	52	10	9.1	3.01	2.20	3.01
	HRH038U9	59.6	13.5	9.8	2.51	1.84	2.51
	HRH054U9	81	16	13.1	1.49	1.46	1.48
	HLH061T9	96	20	15.8	1.27	1.25	1.28
	HLH068T9	95	19	13.1	0.58	0.58	0.58
	HLJ072T9	95	19	17.5	0.58	0.58	0.58
	HLJ083T9	110	22.4	20.8	1.13	1.08	1.10
	H CJ090T9	135	29	18.8	0.87	0.88	0.89
	H CJ105T9	135	30	26.7	0.87	0.88	0.89
H CJ120T9	135	33	30.2	0.87	0.88	0.89	

### Single phase electrical characteristics

Compressor model	LRA	MCC	Max. operating current	Winding resistance (Ohm)		
	A	A	A	Start	Run	
Motor voltage code 5 200-220 V / 1 ph / 50 Hz	HRM032T5	97	23	17.9	1.51	0.69
	HRM034T5	97	25	19.5	1.51	0.69
	HRM038U5	97	25	21.2	1.51	0.69
	HRM042T5	97	27	24.2	1.51	0.69
	HRM042U5	97	26	24.2	1.51	0.69
	HRM047T5	102.5	31.2	29.0	1.61	0.66
	HRM047U5	102.5	31.2	29.0	1.61	0.66
	HRM060U5	130	45	33.9	1.02	0.39
Motor voltage code 1 208-230 V / 1 ph / 60 Hz	HRM025T1	69	19	13.8	1.74	0.85
	HRM032U1	96.7	26	20.1	1.57	0.67
	HRM034U1	96.7	26	21.4	1.57	0.67
	HRM038U1	105	30	24.7	1.44	0.54
	HRM040U1	115	32.9	25.5	1.43	0.54
	HRM042U1	115	32.9	26.8	1.45	0.54
	HRM045U1	115	35	28.5	0.82	0.32
	HRM047U1	120	38	29.8	1.32	0.52
	HRM048U1	150	41.5	32.5	0.86	0.33
	HRM051U1	150	40	31.9	0.86	0.33
	HRM054U1	150	39	33.9	0.86	0.33
	HRM058T1	160	45	36.0	1.72	0.27
	HRM058U1	145	45	36.4	0.84	0.29
	HRM060T1	160	45	37.2	1.76	0.28
	HRM060U1	145	45	37.7	0.84	0.29
	H LM068T1	145	45	38.2	0.84	0.29
H LM072T1	145	45	40.5	0.84	0.29	
H LM081T1	145	45	41.2	0.84	0.29	

Single phase electrical characteristics

Compressor model	LRA	MCC	Max. operating current	Winding resistance (Ohm)		
	A	A	A	Start	Run	
Motor voltage code 5 200-220 V / 1 ph / 50 Hz	HRP032T5	97	23	18.3	1.51	0.69
	HRP034T5	97	25	19.5	1.51	0.69
	HRP038T5	97	25	21.2	1.51	0.69
	HRP040T5	97	25	22.3	1.51	0.69
	HRP042T5	97	27	24.2	1.51	0.69
	HRP045T5	102.5	30	27.9	1.61	0.66
	HRP047T5	102.5	31.2	29.0	1.61	0.66
	HRP054T5	130	40	30.8	1.02	0.39
	HRP058T5	130	42	32.8	1.02	0.39
	HRP060T5	130	40	33.9	1.02	0.39
	HLP068T5	130	40	38.4	1.02	0.39
	HLP072T5	130	40	38.9	1.02	0.39
HLP081T5	130	47	45.8	1.02	0.39	
Motor voltage code 1 208-230 V / 1 ph / 60 Hz	HRP025T1	69	19	13.8	1.74	0.85
	HRP034T1	96.7	24.5	21.4	1.57	0.67
	HRP042T1	115	32.9	26.8	1.47	0.55
	HRP051T1	150	40	31.9	0.86	0.33
	HRP060T1	160	45	37.2	1.76	0.28
	HLP068T1	145	45	38.2	0.84	0.29
	HLP072T1	145	45	40.5	0.84	0.29
HLP081T1	145	45	41.2	0.84	0.29	
Motor voltage code 5 200-220 V / 1 ph / 50 Hz	HRH029U5	97	24	17.9	1.51	0.69
	HRH031U5	97	25	19.2	1.51	0.69
	HRH032U5	97	25	19.8	1.51	0.69
	HRH034U5	97	25.5	21.0	1.51	0.69
	HRH036U5	97	25.5	22.3	1.51	0.69
	HRH038U5	102.5	28	23.8	1.61	0.66
	HRH040U5	102.5	33	26.6	1.61	0.66
	HRH051U5	130	38	31.7	1.02	0.39
	HRH054U5	130	40	38.2	1.02	0.39
	HRH056U5	130	40	38.9	1.02	0.39
	HLH061T5	130	42	44.1	1.02	0.39
	HLH068T5	130	45	41.7	1.02	0.39
	HLJ072T5	130	45	48.9	1.02	0.39
HLJ083T5	130	50	55.7	1.02	0.39	
Motor voltage code 1 208-230 V / 1 ph / 60 Hz	HRH029U1	96.7	27	19.5	1.45	0.72
	HRH031U1	96.7	26.5	20.8	1.57	0.67
	HRH032U1	87.5	26	17.9	1.66	0.67
	HRH034U1	115	31	20.9	1.40	0.53
	HRH036U1	105	34	23.3	1.22	0.54
	HRH038U1	115	33	23.6	1.21	0.54
	HRH039U1	115	31	22.8	1.19	0.53
	HRH040U1	115	32	27.7	1.31	0.53
	HRH041U1	150	36.9	28.2	0.86	0.33
	HRH044U1	150	38	29.9	0.86	0.33
	HRH047U1	135	43	35.3	1.06	0.43
	HRH048U1	135	42	35.6	1.06	0.43
	HRH049U1	150	45	32.4	0.84	0.32
	HRH050U1	135	43	39.3	1.06	0.43
	HRH051U1	150	41	33.6	0.84	0.32
	HRH054U1	145	45	34.1	0.84	0.29
	HRH056U1	145	47	35.9	0.84	0.29
	HLH061T1	145	42	41.8	0.84	0.29
	HLH068T1	145	42	46.1	0.84	0.29
	HLJ072T1	145	42	48.6	0.84	0.29
HLJ083T1	145	42	57.6	0.84	0.29	

GENERAL INFORMATION

PRODUCT INFORMATION

SYSTEM DESIGN

INTEGRATION INTO SYSTEM

ORDERING INFORMATION

## Electrical data, connections and wiring

### IP rating

The compressor terminal box IP rating according to IEC 529 is **IP22** for all models. IP ratings is only valid when correctly sized cable glands of the IP rating is applied.

- First numeral, level of protection against contact and foreign objects  
**2** protection against object size over 1/2inch (fingers of similar)
- Second numeral, level of protection against water  
**2** protection against dripping water when tilted up to 15°

### LRA (Locked Rotor Amp)

Locked Rotor Amp value is the higher average current as measured on mechanically blocked compressors tested under nominal voltage. The

LRA value can be used as a rough estimation for the starting current. However, in most cases, the real starting current will be lower.

### MCC (Maximum Continuous Current)

The MCC is the current at which the motor protection trips under maximum load and low voltage conditions. This MCC value is the maximum at which the compressor can be

operated in transient conditions and out of the application envelope. Above this value, the external electronic module will cut-out the compressor to protect the motor.

### Max Oper. A (Max operating current)

The max. operating current is the current when the compressors operate at maximum load conditions and 10% below nominal voltage. Max Oper. A can be used to select cables and contactors. In normal operation, the compressor

current consumption is always less than the Max Oper. A value. When using the Max Operating Current to define cables and contactors, a tolerance of +5% need to be taken into account.

### Winding resistance

Winding resistance is the resistance between indicated terminal pins at 77°F (resistance value +/- 7%).

Winding resistance is generally low and it requires adapted tools for precise measurement. Use a digital ohm-meter, a '4 wires' method and measure under stabilised ambient temperature. Winding resistance varies strongly with winding temperature ; If the compressor is stabilised at a different value than 77°F, the measured resistance must be corrected with following formula:

$$R_{t_{amb}} = R_{77°F} \frac{a + t_{amb}}{a + t_{77°F}}$$

$t_{77°F}$ : reference temperature = 77°F

$t_{amb}$ : temperature during measurement (°C)

$R_{77°F}$ : winding resistance at 77°F

$R_{amb}$ : winding resistance at  $t_{amb}$

coefficient  $a = 390$

### Motor protection

Danfoss Scroll Compressors H-Series are equipped with an internal line break protector mounted on the motor windings. The protector is an automatic reset device, containing a snap action bimetal switch.

motor current under a variety of fault conditions, such as lose phase, running overload, and locked rotor.

Internal protectors respond to over-current and overheating. They are designed to interrupt

If the internal overload protector trips out, it must cool down to about 140°F to reset. Depending on ambient temperature, this may take up to several hours.

### Phase sequence and reverse rotation protection

The compressor will only operate properly in a single direction. Use a phase meter to establish the phase orders and connect line phases L1, L2 and L3 to terminals T1, T2 and T3, respectively. For three-phase compressors, the motor will run equally well in both directions. Reverse rotation results in excessive noise; no pressure differential between suction and discharge; and suction line

warming rather than immediate cooling.

A service technician should be present at initial start-up to verify that supply power is properly phased and that compressor and auxiliaries are rotating in the correct direction.

Danfoss HR\* and HL\* series scroll compressor are designed to operate for a maximum of 150 hours

## Electrical data, connections and wiring

in reverse, but as a reverse rotation situation can go unnoticed for longer periods, phase monitors are recommended.

For HC\* series compressors, phase monitors are required. The selected phase monitor should lock out the compressor from operation in reverse.

### Electrical connections

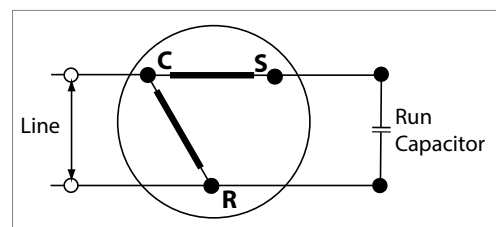
Danfoss scroll compressors are designed to operate without any assistance if running within

the defined nominal voltage. PSC wiring is sufficient (see below).

### PSC wiring

The start winding (C-S) of the motor remains in circuit through a permanent (run) capacitor.

This permanent (run) capacitor is connected between the start winding (C-S) and the run winding (C-R).

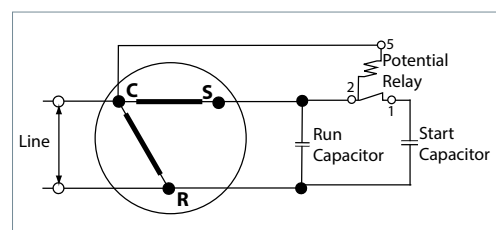


### CSR wiring

If start assist is required, in case of operating below the nominal voltage, a CSR starting device is required.

During start-up, the start winding (C-S) is energised through an electromagnetic potential relay and a start capacitor.

A permanent (run) capacitor is wired between the start winding (C-S) and the run winding (C-R).



### Nominal capacitor value and relays

	Models	PSC wiring Run capacitor	CSR wiring Start capacitor	Relay		
50 Hz, motor voltage code 5	R22	HRM025-032-034-038-040-042	70 µF	145-175 µF	3ARR3*3AL*	RVA 9CKL
		HRM045-047	60 µF	145-175 µF	3ARR3*3AL*	RVA 9CKL
		HRM054	55 µF	161-193 µF	3ARR3*24AP*	RVA 3EKL
		HRM058-060	55 µF	88-108 µF	3ARR3*25AS*	RVA 4GKL
	R407C	HLM068-072-075-081	55 µF	88-108 µF	3ARR3*25AS*	RVA 4GKL
		HRP025-034-038-040-042	70 µF	145-175 µF	3ARR3*3AL*	RVA 9CKL
		HRP045-047	60 µF	145-175 µF	3ARR3*3AL*	RVA 9CKL
		HRP054	55 µF	161-193 µF	3ARR3*24AP*	RVA 3EKL
	R410A	HRP058-060	55 µF	88-108 µF	3ARR3*25AS*	RVA 4GKL
		HLP068-072-075-081	55 µF	88-108 µF	3ARR3*25AS*	RVA 4GKL
		HRH029-031-032-034-036	70 µF	145-175 µF	3ARR3*3AL*	RVA 9CKL
		HRH038-040	60 µF	145-175 µF	3ARR3*3AL*	RVA 9CKL
60 Hz, motor voltage code 1	R22	HRH051-054-056	55 µF	88-108 µF	3ARR3*25AS*	RVA 4GKL
		HLH061-068, HLJ072-083	55 µF	88-108 µF	3ARR3*25AS*	RVA 4GKL
		HRM025-032-034	45 µF	145-175 µF	3ARR3*3M*	RVA 2ACKL
		HRM038	55 µF	88-108 µF	3ARR3*3L*	RVA 2ABKL
	R407C	HRM040-042-045-047	60 µF	88-108 µF	3ARR3*3L*	RVA 2ABKL
		HRM048	60 µF	161-193 µF	3ARR3*3L*	RVA 2ABKL
		HRM051-054	70 µF	161-193 µF	3ARR3*3L*	RVA 2ABKL
		HRM058T1-060T1	55 µF	88-108 µF	3ARR3*25S*	RVA A4IKL
	R410A	HRM058U1-060U1, HLM068-072-075-081	80 µF	189-227 µF	3ARR3*3L*	RVA 2ABKL
		HRP051	70 µF	161-193 µF	3ARR3*3L*	RVA 2ABKL
		HLP068-072-075-081	80 µF	189-227 µF	3ARR3*3L*	RVA 2ABKL
		HRH031	45 µF	145-175 µF	3ARR3*3M*	RVA 2ACKL
HRH032-034		50 µF	88-108 µF	3ARR3*3L*	RVA 2ABKL	
HRH036		55 µF	88-108 µF	3ARR3*3AL*	RVA 9CKL	
HRH038-039-040		60 µF	88-108 µF	3ARR3*3L*	RVA 2ABKL	
HRH041-044-048-049-050-051		70 µF	161-193 µF	3ARR3*3L*	RVA 2ABKL	
HRH054-056, HLH061-068, HLJ072-083	80 µF	189-227 µF	3ARR3*3L*	RVA 2ABKL		

## Approvals and certifications

**Approvals and certificates** Danfoss scroll H-series compressors comply with the following approvals and certificates. Certificates are listed on the product datasheets: <http://www.danfoss.com/odsg>

CE (European Directive)		All models
UL (Underwriters Laboratories)		All models
Other approvals / certificates		Contact Danfoss

### Pressure equipment directive 2014/68/EU

Products	All models
Refrigerating fluids	Group 2
Category PED	I
Evaluation module	no scope

### Low voltage directive 2014/35/EU

Products	All models
Declaration of conformity ref. Low voltage Directive 2014/35/EU	Contact Danfoss

### Machines directive 2006/42/EC

Products	All models
Manufacturer's declaration of incorporation ref. Machines Directives 2006/42/EC	Contact Danfoss

### Internal free volume

Products	Internal free volume at LP side without oil (gallon)	Internal free volume at HP side without oil (gallon)
HRM/P032-034-038-040-042 HRH029-031-032-034-036-038	0.77	0.13
HRM/P045-047 HRH040	0.84	0.18
HRM/P048-051-054-058-060, HLM/P068-072-075-081 HRH044-049-051-054-056, HLH/J061-068-072-075-083	0.90	0.19
HCM/P094-109-120 HCJ090-105-120	1.56	0.13
HCJ091-106-121	1.51	0.13



## Operating conditions

### Refrigerant and lubricants

#### General information

When choosing a refrigerant, different aspects must be taken into consideration:

- Legislation (now and in the future)
- Safety
- Application envelope in relation to expected running conditions
- Compressor capacity and efficiency
- Compressor manufacturer recommendations & guidelines

Additional points could influence the final choice:

- Environmental considerations
- Standardisation of refrigerants and lubricants
- Refrigerant cost
- Refrigerant availability

#### PVE

Polyvinyl ether (PVE) is an innovative refrigeration lubricant for HFC refrigerant systems. PVE is as hygroscopic as existing polyolester lubricants (POE), but PVE doesn't chemically react with water; no acids are formed and compressor evacuation is easier.

The compressor technology applied in Danfoss H-series scroll compressors in combination with PVE lubricant provides the best possible result in terms of reliability and compressor lifetime. The PVE lubricant is compatible with R22 which makes the Danfoss H-series scroll compressors a very versatile multi- refrigerant solution.

#### Alkylbenzene oil

Alkylbenzene oil can be applied in systems using HCFC refrigerants (R22). Compared to a mineral oil it provides distinct advantages: excellent miscibility, excellent thermal stability, compatibility with mineral oils and constant quality.

Danfoss Scroll H\_M series compressors are charged with Alkylbenzene oil and herewith offer an economically interesting alternative to the Danfoss H series in regions where R22 is still the predominant refrigerant. Note however that Danfoss H-series scroll compressors can not be used with HFC refrigerants.

#### Oil type

Danfoss scroll compressors are charged with oil at the factory with the oils indicated, in the following table.

Compressor range	Oil type
HRM / HLM / HCM	Alkylbenzene
HRP / HLP / HCP	PVE
HRH / HLH	PVE
HLJ/HCJ	PVE

Effective week 31 of 2009, the HRP/HLP/ HCP & HRH/HLH series of compressors were changed from POE oil to PVE oil. Compressors produced prior to this week still had POE, and may be in stock in the warehouses until supply is exhausted. This change was made to standardize to the better oil for reliability. Replacement PVE 320HV is available for topping up or replacing oil in the field (see accessory section). As it is fully miscible with POE, Danfoss recommends the 320HV regardless of original oil charge in the compressor.

#### Residual moisture

Prior to shipment from the factory, every compressor is dehydrated, evacuated, and charged with dry nitrogen. Maximum residual

moisture levels are 0.0082 oz. for models capacities up to HRM/HRP047 and HRH040 and 0.0120 oz. for larger compressors.

#### Run-in process

Our H product ranges feature a compliance technology which allows

- an exceptional slugging capability (radial compliance)
- a very low starting torque (axial compliance)

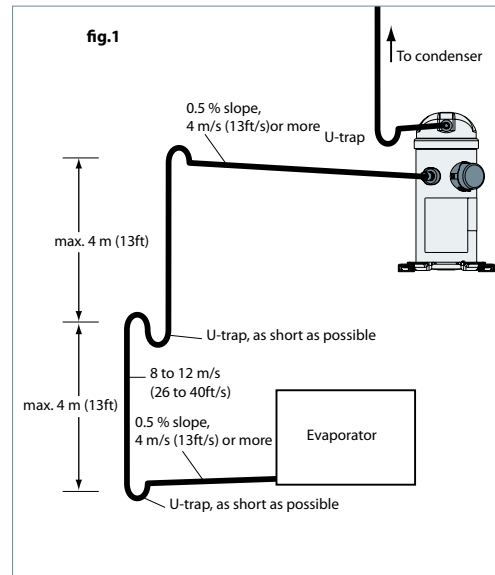
When a compressor with compliance technology is new, the performance is not immediately at peak. A run-in period is needed to polish all surfaces as well as to reduce friction and leakage. The run-in period eliminates extra power input

## Design piping

### General requirements

Proper piping practices should be employed to:

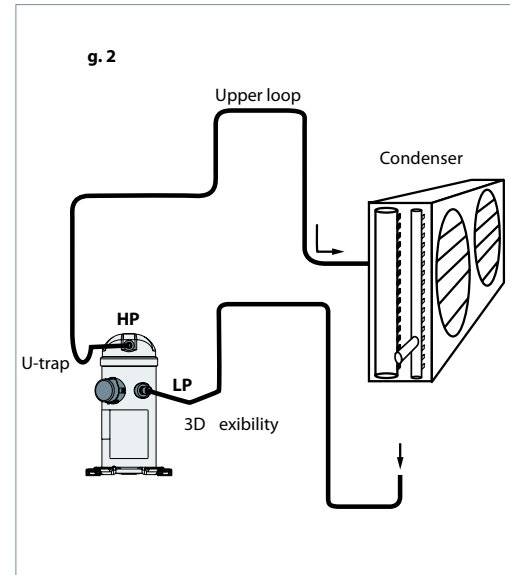
1. Ensure adequate oil return, even under minimum load conditions (refrigerant speed, piping slope). For validation tests see section "Manage oil in the circuit".



3. Piping should be designed with adequate three-dimensional flexibility to avoid excess vibration. It should not be in contact with the surrounding structure, unless a proper tubing

2. Avoid condensed liquid refrigerant from draining back to the compressor when stopped (discharge piping upper loop). For validation tests see section "Manage off cycle migration".

General recommendations are described in the figures below:



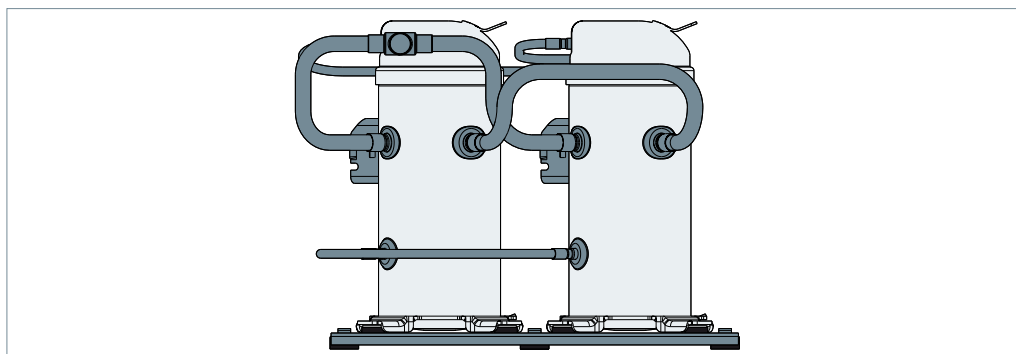
mount has been installed. For more information on noise and vibration, see section on: "Manage sound and vibration".

## Design piping

### Tandem requirements

Danfoss scroll compressor H series tandem use static oil balancing principle to equalize oil level between the compressors by gravity. This is ensured by a precise suction and oil equalization piping designs.

The discharge line as no impact on oil balancing and is shown with tees, to indicate that both left and right side discharge header are possible



Danfoss scroll H series compressors in C8 version can be mounted in tandem assemblies.

Such manifolding applications require special design considerations that go beyond the scope of this document. Please contact Danfoss for further information.

By default, H series tandems are not factory-built, just provide tandem version compressors (feature 8).

For each tandem configuration, specific outline drawings are available as indicated in following tables.

**R** Suction and oil & gas equalization piping drawing must be respected (diameters, minimum straight lengths)

Tandem model	Comp.1	Comp.2	Connection Sizes		Oil equalization (in)	Gas equalization (in)	Kit tandem Code No	Outline drawing number
			Suction (in)	Discharge (in)				
TLJ082	HRH041	HRH041	1-1/8"	3/4"	1/2"	7/8"	120Z0636	8556080
TLJ098	HRH049	HRH049	1-1/8"	3/4"	1/2"	7/8"	120Z0636	8556080
TLJ122	HLH061	HLH061	1-1/8"	3/4"	1/2"	7/8"	120Z0636	8556080
TLJ136	HLH068	HLH068	1-1/8"	3/4"	1/2"	7/8"	120Z0636	8556080
TLJ144	HLJ072	HLJ072	1-1/8"	3/4"	1/2"	7/8"	120Z0636	8556080
TLJ166	HLJ083	HLJ083	1-1/8"	3/4"	1/2"	7/8"	120Z0636	8556080
TCJ180	HCJ090	HCJ090	1-5/8"	1-1/8"	1/2"	1-1/8"	120Z0636	8556081
TCJ181	HCJ091	HCJ091	1-5/8"	1-1/8"	1/2"	1-1/8"	120Z0636	8556153
TCJ210	HCJ105	HCJ105	1-5/8"	1-1/8"	1/2"	1-1/8"	120Z0636	8556081
TCJ211	HCJ106	HCJ106	1-5/8"	1-1/8"	1/2"	1-1/8"	120Z0636	8556153
TCJ240	HCJ120	HCJ120	1-5/8"	1-1/8"	1/2"	1-1/8"	120Z0636	8556081
TCJ241	HCJ121	HCJ121	1-5/8"	1-1/8"	1/2"	1-1/8"	120Z0636	8556153

## Design compressor mounting

### General requirements

Compressors used in single applications must be mounted with flexible grommets.

and the manifold assembly must be mounted with flexible grommets onto frame.

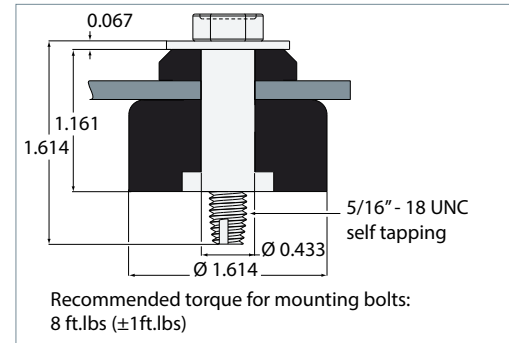
Compressors used in parallel application must be mounted with rigid mounting spacers onto rails

During operation, the maximum inclination from the vertical plane must not exceed 3 degrees.

### Single requirements

H-series compressors come delivered with flexible grommets, accessory Mounting kit 120Z5064.

The grommets must be compressed until contact between the flat washer and the steel mounting sleeve is established. The required bolt size for the H-series compressors is M8\*1.57inch. This bolt must be tightened to a torque of 8ft.lbs.

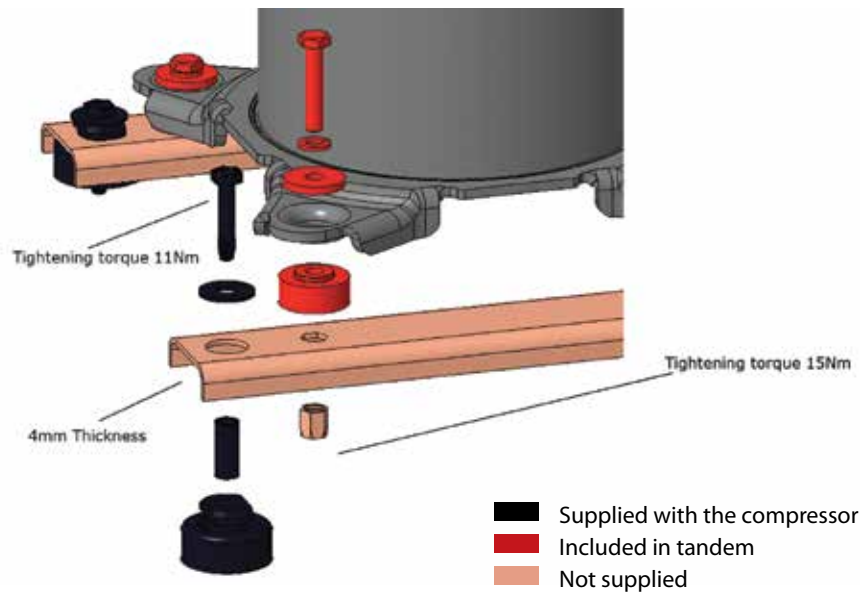


### Tandem requirements

#### Parallel mounting feet

For parallel mounting, the compressor must be mounted with rigid mounting spacers (included in the tandem kit 120Z0636) on the rails.

Rubber grommets and sleeves (delivered with the compressor) must be installed below the rails.



### Compressor sound radiation

Typical sounds and vibrations in systems can be broken down into the following three categories:

- Sound radiation (through air)
- Mechanical vibrations (through parts and structure)
- Gas pulsation (through refrigerant)

The following sections focus on the causes and methods of mitigation for each of the above sources.

For sound radiating from the compressors, the emission path is air and the sound waves are travelling directly from the machine in all directions.

Sound levels are as follows:

- For compressors running alone:

Compressor model	50 Hz		60 Hz		Acoustic hood code number
	Sound power dB(A)	Attenuation dBA ①	Sound power dB(A)	Attenuation dBA ①	
HRM025-038	66	5	69	5	120Z5083
HRM040-047	67	5	70	5	120Z5083
HRM048-054	68	5	71	5	120Z5084
HRM058-060	69	5	72	5	120Z5084
HLM068-081	70	5	73	5	120Z5084
HCM094	71	5	74	5	120Z5085
HCM109-120	74	5	78	5	120Z5085
HRH029-032	65	5	68	5	120Z5083
HRH034-040	66	5	69	5	120Z5083
HRH041-054	67	5	70	5	120Z5084
HLH061	70	5	73	5	120Z5084
HLH068-HLJ083	71	5	74	5	120Z5084
H CJ090-105-120	72	5	75	5	120Z5085
H CJ091-106-121	73	5	76	5	120Z5085

① Attenuation given with acoustic hood only  
 Acoustic hood could be applied for both single and tandem version compressors.  
 Materials are UL approved and RoHS compliant  
 Sound power and attenuation are given at ARI conditions, measured in free space  
 H\*P series same as H\*M series. Compressor's noise test is after compressor run-in 72hrs. Maximum sound is +5dBA

Note: During compressor shut down, a short reverse rotation sound is generated. The duration of this sound depends on the pressure difference at shut down and should be less than 3 seconds. This phenomenon has no impact on compressor reliability.

Mitigations methods:

We can consider two means to reduce compressors sound radiations:

1. Acoustic hoods are quick and easy to install and do not increase the overall size of the compressors to a great extent. Acoustic hoods are available from Danfoss as accessories. Refer to the table above for sound levels, attenuation and code numbers.

2. Use of sound-insulation materials on the inside of unit panels is also an effective means to reduce radiation.

## Sound and vibration management

GENERAL INFORMATION
PRODUCT INFORMATION
SYSTEM DESIGN
INTEGRATION INTO SYSTEM
ORDERING INFORMATION

### Mechanical vibrations

Vibration isolation constitutes the primary method for controlling structural vibration. H-series scroll compressors are designed to produce minimal vibration during operations. The use of rubber isolators on the compressor base plate or on the frame of a manifolded unit is very effective in reducing vibration being transmitted from the compressor(s) to the unit. Rubber grommets are supplied with all H-series scroll compressors.

Once the supplied rubber grommets have been properly mounted, vibration transmitted from the compressor base plate to the unit

are held to a strict minimum. In addition, it is extremely important that the frame supporting the mounted compressor be of sufficient mass and stiffness to help dampen any residual vibration potentially transmitted to the frame. The tubing should be designed so as to both reduce the transmission of vibrations to other structures and withstand vibration without incurring any damage. Tubing should also be designed for three-dimensional flexibility. For more information on piping design, please see the section entitled "Essential piping design considerations".

### Gas pulsation

The Danfoss Scroll Compressors H-series has been designed and tested to ensure that gas pulsation has been optimised for the most commonly encountered air conditioning pressure ratio. Manifolded compressors are equivalents to lagged sources of gas pulsation. Therefore pulse level can vary during time.

Mitigations methods:

If an unacceptable level is identified, a discharge muffler with the appropriate resonant volume and mass can be installed.

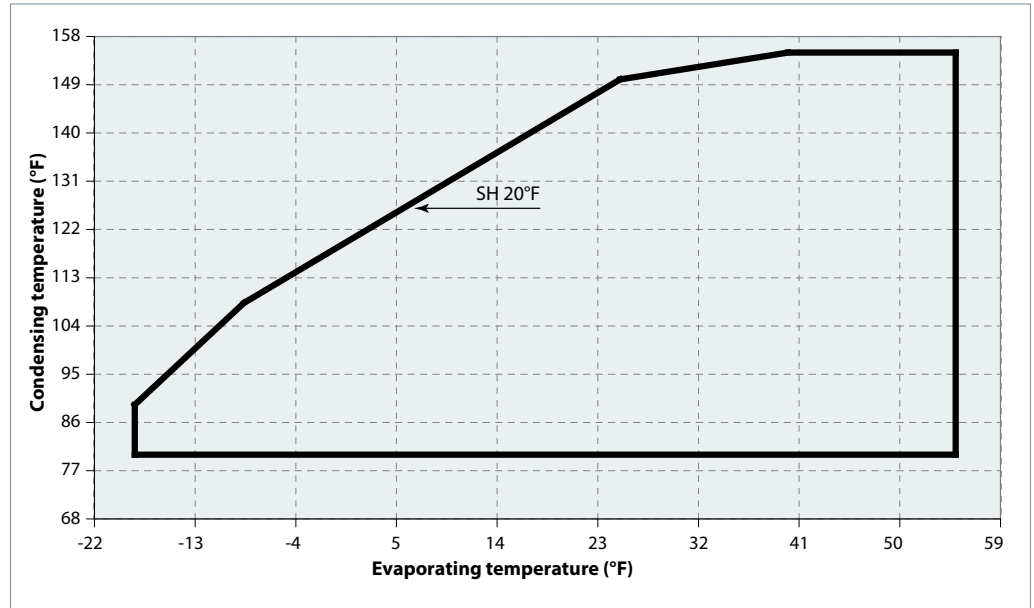
## Manage operating envelope

### Requirement

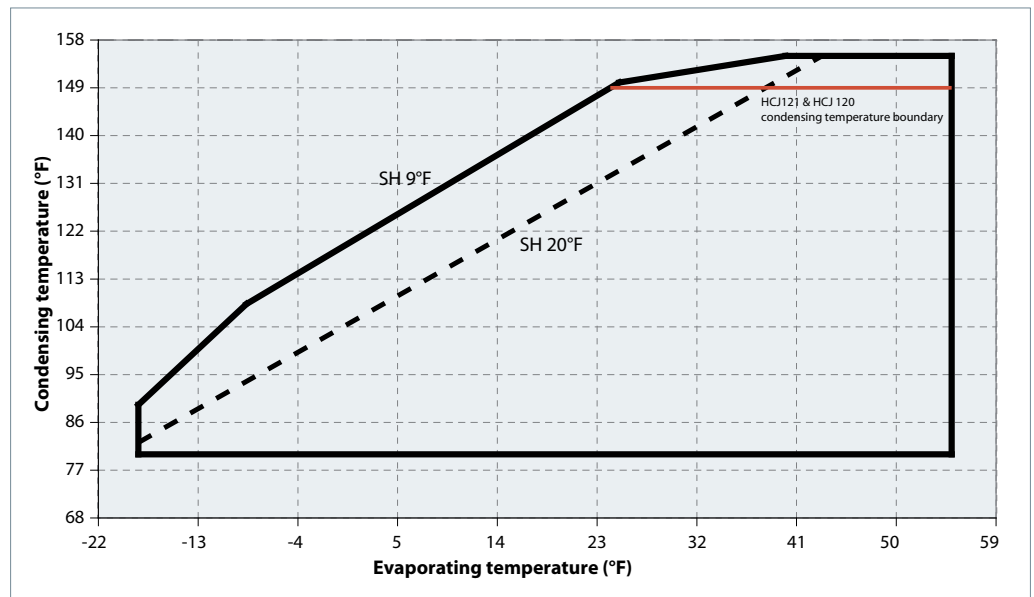
**R** The operating envelope for H-series scroll compressors is given in the figures below and guarantees reliable operations of the compressor for steady-state and transient operation.

Steady-state operation envelope is valid for a suction superheat within 9°F to 54°F range.

### R22, R407C Model variation T

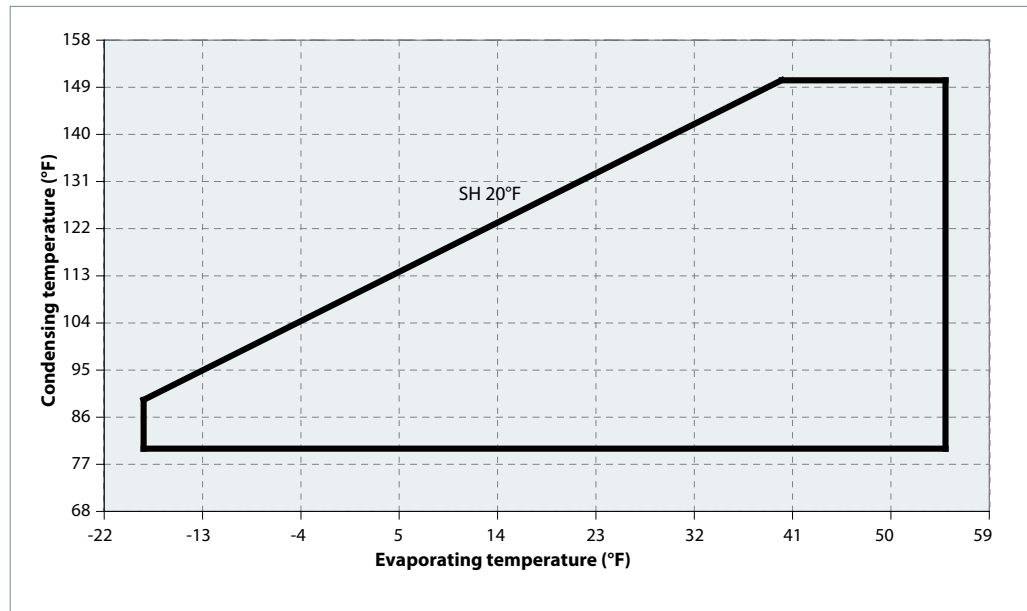


### R410A Model variation T



## Manage operating envelope

### R22, R410A Model variation U



		R22	R407C	R410A
Working pressure range high side	psi (g)	158-402	152-422	229-645
Working pressure range low side	psi (g)	20-100	16-93	28-157
Maximum high pressure safety switch setting*	psi (g)	421	435	653
Minimum low pressure safety switch setting	psi (g)	7	7	22
Recommended pump-down switch settings	psi (g)	22 psi below nominal evap. pressure with minimum limitation as below		
Minimum low pressure pump-down switch setting	psi (g)	22	19	33

\* Maximum allowable pressure on high pressure side according to PED regulation.

### High and low pressure protection

**R** LP and HP safety switches must never be bypassed nor delayed and must stop all the compressors.

When caused low by LP safety switch, limit the number of auto-restart to maximum 5 times within 12 hours.

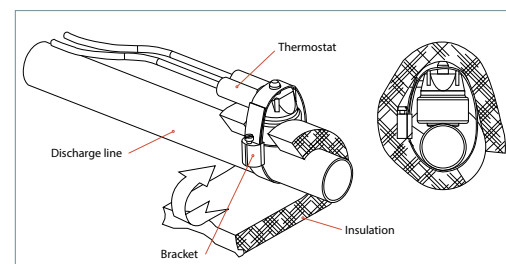
**!** HP safety switch must be manual reset

Depending on application operating envelope, you must define HP and LP limits within operating envelope and pressure setting table above.

For H-series compressors, the external Discharge Gas Temperature protection (DGT) is required if the high and low pressure switch settings do not protect the compressor against operations beyond its specific application envelope.

The discharge gas thermostat accessory kit (code 7750009) includes all components required for installation as shown on the right. DGT installation must respect below requirements:

- The thermostat must be attached to the discharge line within 5.91inch from the compressor discharge port and must be thermally insulated and tightly fixed on the pipe.
- The DGT should be set to open at a discharge gas temperature of 275°F.





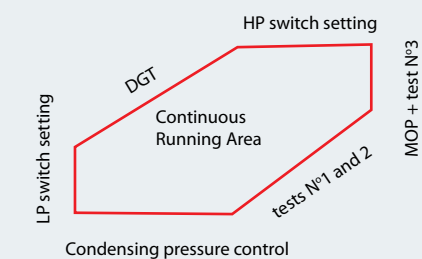
## Manage operating envelope

### System evaluation

HP and LP must be monitored to respect operating envelope limitations. We consider two types of operating envelope management:

<p>Basic:</p> <ul style="list-style-type: none"> <li>• HP and LP switch</li> <li>• MOP (Max Operating Pressure) ensured by expansion device</li> <li>• Condensing pressure control</li> <li>• DGT external</li> </ul>	<p>Advanced:</p> <ul style="list-style-type: none"> <li>• HP and LP sensor</li> <li>• Operating envelope limits (permanent and transient) integrated into control logic</li> <li>• DGT external</li> </ul>
---	--

See "Test, criteria and solutions"



### Test, criteria and solutions

Test N°	Purpose	Test condition	Pass criteria	Solutions
1	Check the compressor operation in the "continuous running area".	Start test at minimum foreseeable evaporating temperature (minimum ambient temperature)	Confirmed compressor stable working in the continuous running area.	Work on compressor staging, fan staging, water flow etc.
2		Perform a defrost test if reversible unit		

## Manage superheat

During normal operation, refrigerant enters the compressor as a superheated vapor. Liquid flood back occurs when a part of the refrigerant entering the compressor is still in liquid state.

Liquid flood back can cause oil dilution and, in extreme situations lead to liquid slugging that can damage compression parts.

### Requirement

In steady state conditions,

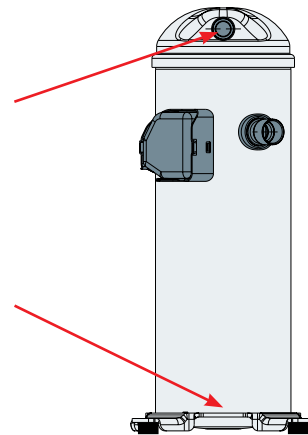
- Suction superheat must remain within 9°F to 54°F
- According to the floodback chart

In transient conditions,

- According to the floodback chart

Discharge temperature sensor must be placed onto the discharge fitting and be insulated.

Oil temperature sensor must be placed on the mid shell, closed to the lower shell, and be insulated.



### System evaluation

Use the tables below in relation with the system charge and the application to quickly evaluate the risk and potential tests to perform.

	BELOW CHARGE LIMIT	ABOVE CHARGE LIMIT
Non reversible	No test or additional safeties required	Liquid flood back test
Reversible	Defrost test	Liquid flood back test Defrost test

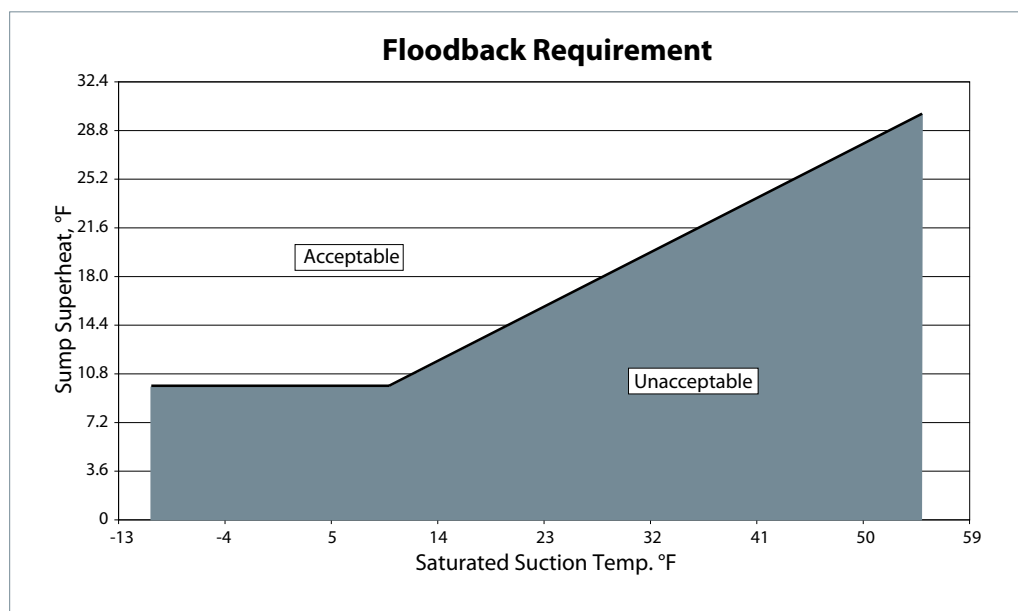
Charge limit is defined in table below:

	Models	Refrigerant charge limit (lbs)
Single	HRM032-034-038-040-042-045-047 HRP034-038-040-042-045-047 HRH029-031-032-034-036-038-039-040-047-048	8
	HRM048-051-054-058-060/HLM068-072-075-078-081 HRP048-051-054-058-060/HLP068-072-075-078-081 HRH041-044-049-051-054-056/HLH061-068- HLJ072-075-083	12
	HCM094-109-120 HCP094-109-120 HCJ090 - 091-105-106-120 -121	16
Tandem	TLJ082-098-122-136-144-166	13
	TCJ180-181-210-211-240-241	18

## Manage superheat

### Test, criteria and solutions

Test N°	Purpose	Test condition	Pass criteria	Solutions
Liquid flood back test	Steady-state	<p>Liquid flood back testing must be carried out under expansion valve threshold operating conditions: a high pressure ratio and minimum evaporator load (A).</p>	Suction superheat >5K(9°F)	<ol style="list-style-type: none"> <li>1. Check expansion valve selection and setting.</li> <li>2. Add a suction accumulator*.</li> </ol>
	Transient	<p>Tests must be carried out with most unfavorable conditions :</p> <ul style="list-style-type: none"> <li>• fan staging,</li> <li>• compressor staging</li> <li>• ...</li> </ul>	Refer to flood back chart criteria	<ol style="list-style-type: none"> <li>1. Check expansion valve selection and setting. <ul style="list-style-type: none"> <li>-For Thermostatic expansion valve (TXV) check bulb position...</li> <li>-For Electronic expansion valve (EXV) check measurement chain and PID....</li> </ul> </li> <li>2. Add a suction accumulator*.</li> </ol>
Defrost test	Check liquid floodback during defrost cycle	Defrost test must be carried out in the most unfavorable condition (at 32°F evaporating temperature).	Refer to flood back chart criteria	In reversible systems, the defrost logic can be worked out to limit liquid floodback effect. (for more details see "Control Logic").



\*Suction accumulator offers protection by trapping the liquid refrigerant upstream from the compressor. The accumulator should be sized at least 50 % of the total system charge. Suction accumulator dimensions can impact oil return (gas velocity, oil return hole size...), therefore oil return has to be checked according to section "Manage oil in the circuit".

## Manage off cycle migration

- R** Off -cycle refrigerant migration happens:
- when the compressor is located at the coldest part of the installation, refrigerant vapor condenses in the compressor.
  - or directly in liquid-phase by gravity or pressure difference.

When the compressor restarts, the refrigerant diluted in the oil, or stored in evaporator, generates poor lubrication conditions and may reduce bearings life time. In extreme situations, this leads to liquid slugging that can damage compression scrollset.

### Requirement

- Compressor can tolerate occasional flooded start, but it should remain exceptional situation and unit design must prevent that this situation happen at each start
- Right after start, liquid refrigerant must not flow massively to compressor

- The charge limit is a threshold beyond some protective measures must be taken to limit risk of liquid slugging and extreme dilution at start. (refer to charge limit table in section "Manage superheat").

### Evaluate the risk

Use the table below in relation with the system charge (refer to charge limit table in section "Manage superheat") and the application to

quickly define necessary safeties to implement and test to perform:

	BELOW CHARGE LIMIT	ABOVE CHARGE LIMIT
Non split	No test or additional safeties required	<ul style="list-style-type: none"> <li>• Crankcase Heater*</li> <li>• Migration test</li> <li>• External Non Return Valve</li> </ul>
Split	Since each installation is unique, no test can fully evaluate off-cycle migration, therefore the following safeties are required: <ul style="list-style-type: none"> <li>• Crankcase Heater *</li> <li>• Liquid Line Solenoid Valve**+ pump-down cycle***</li> <li>• (Internal Non-Return Valve integrated)</li> </ul>	

## Manage off cycle migration

### Test, criteria and solutions

Test N°	Purpose	Test condition	Pass criteria	Solutions
Migration test	Check that there is no migration of refrigerant into the compressor (either liquid or vapour condensating)	Energize CCH*. Stabilize the non-running system at a pressure equivalent to 41°F . Raise the system pressure equivalent to 68°F. When saturated condensing temperature reaches 68°F then start the unit.	When all compressors are idle: <ul style="list-style-type: none"> <li>• Check in liquid line sight glass that there is no liquid refrigerant transfer</li> <li>• Refer to flood back chart criteria</li> </ul> After compressors has started: <ul style="list-style-type: none"> <li>• Oil superheat must remain the criteria refer to flood back chart.</li> </ul>	<ol style="list-style-type: none"> <li>1. Check bulb position, tightness of expansion device,</li> <li>2. add LLSV**</li> <li>3. add pump down cycle***</li> <li>4. Check Crank Case Heater efficiency</li> </ol>

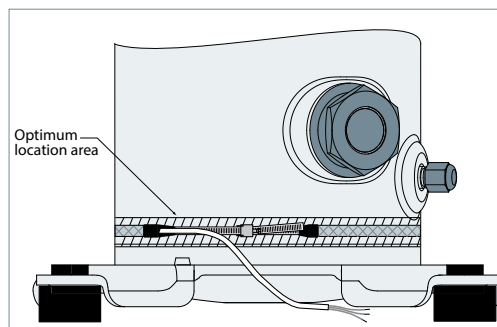
Oil temperature sensor must be placed between oil sight glass and compressor baseplate and be insulated.

#### \* Crank case heater (CCH)

The Crank case heaters are designed to protect the compressor against off-cycle migration of refrigerant.

Additional heater power or thermal insulation might be needed in case of ambient temperature below 23°F and a wind speed above 5m/second. The heater must be energized whenever all the compressors are off.

Crank case heater accessories are available from Danfoss (see section "Accessories").



**!** Provide separate electrical supply for the heaters so that they remain energized even when the machine is out of service (e.g. seasonal shutdown).

It's recommended that the heater be turned on for a minimum of 8 hours prior to starting the compressor.

#### \*\*Liquid line solenoid valve (LLSV)

A LLSV is used to isolate the liquid charge on the condenser side, thereby preventing against charge transfer to the compressor during off -cycles. The quantity of refrigerant on the low-pressure side of the system can be further reduced by using a pump-down cycle in association with the LLSV.

#### \*\*\*Pump-down cycle

By decreasing pressure in the sump, pump down:

- evacuates refrigerant from oil
- set the sump saturating pressure much lower than ambience temperature and due to that, avoid refrigerant condensation in the compressor.

For more details on pump-down cycle see section "Control Logic".

### On/off cycling (cycle rate limit)

Danfoss recommends a restart delay timer to limit compressor cycling. The timer prevents reverse compressor rotation, which may occur during brief power interruptions.

The system must be designed in a way that guarantees a minimum compressor running time of 2 minutes so as to provide for sufficient

motor cooling after start-up along with proper oil return. Note that the oil return may vary since it depends upon system design.

There must be no more than 12 starts per hour, a number higher than 12 reduces the service life of the motor-compressor unit. A three-minute (180-sec) time out is recommended.

## Provide power supply and electrical protection

### Wiring information

#### Requirements:

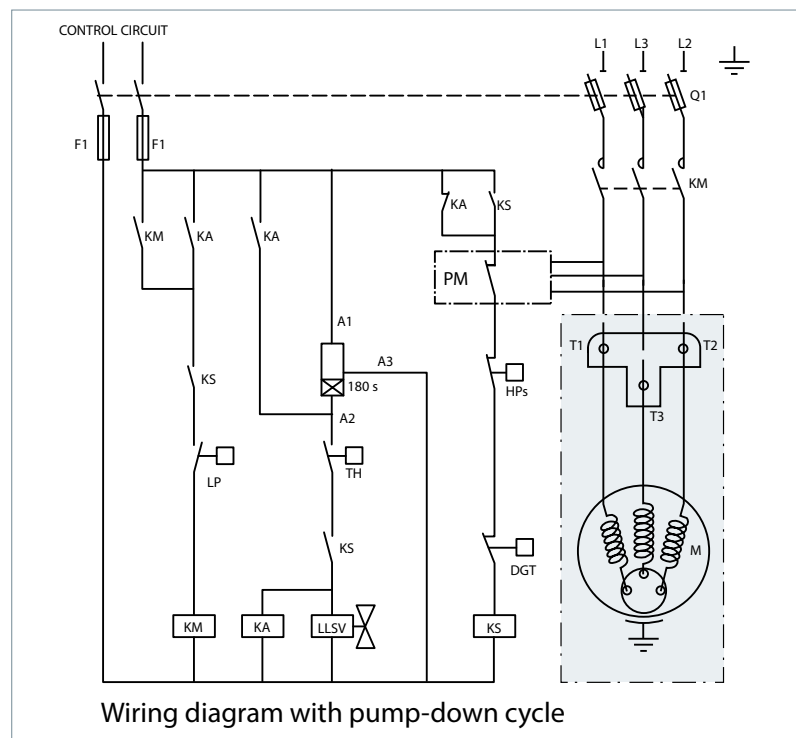
- An additional external overload protection is still advisable for either alarm or manual reset. For overload setting, take the max current you can face on the application and add 10%. Setting must always be lower than Max Operating Current (see table “Three phase electrical characteristics” from the section

#### “Electrical data, connections and wiring”)

- HP safety switch and DGT must be wired in the safety chain. Other safety devices such as LP can be either hardware or software managed.
- Provide separate electrical supply for the heaters so that they remain energized even when the machine is out of service (e.g. seasonal shutdown).

The wiring diagrams below are examples for a safe and reliable compressor wiring:

Control device.....	TH
Optional short cycle timer (3 min) .....	180 s
Control relay .....	KA
Liquid Line Solenoid valve.....	LLSV
Compressor contactor.....	KM
Phase monitor .....	PM
Safety lock out relay.....	KS
Pump-down control low pressure switch ..	LP
High pressure safety switch.....	HPs
Fused disconnect .....	Q1
Fuses .....	F1
Compressor motor .....	M
Discharge gas thermostat.....	DGT



#### Note:

For H-series compressor, phase monitors are mandatory. The selected phase monitor should lock out the compressor from operation in reverse.

## Control logic

### Safety control logic requirements

	Tripping conditions		Re-start conditions	
	Value	Time	Value	Time
HP switch	See Pressure settings table from section "Manage operating envelope"	Immediate, no delay. No by-pass	Conditions back to normal. Switch closed again	Manual reset
LP safety switch				Maximum 5 auto reset during a period of 12 hours, then manual reset.
Electronic module (Motor protection, DGT)	Contact M1-M2 opened			

### Cycle rate limit requirements

Danfoss requires a minimum compressor running time of 2 minutes to ensure proper oil return and sufficient motor cooling. Additionally, compressor service life is based on a maximum of 12 starts per hour.

Therefore, to guarantee these 2 requirements, a three-minute (180- sec) time out is recommended.

### Oil management logic recommendations

In some cases, oil management can be enhanced by control logic:

If oil return test failed, a function can be integrated in control to run all compressors simultaneously during one minute every hour in order to boost oil return. Time and delay can be fine-tuned by oil return test N°1 §Manage oil in the circuit. During oil boost, pay special attention to superheat management to avoid liquid flood back and foaming.

If after running long time in full load, oil unbalance appears, then a function can be in control to stop all compressors in manifold during one minute every two hours in order to balance oil between compressors. Time and delay can be fine-tuned by Oil balancing test N°2 §Manage oil in the circuit.

## Control logic

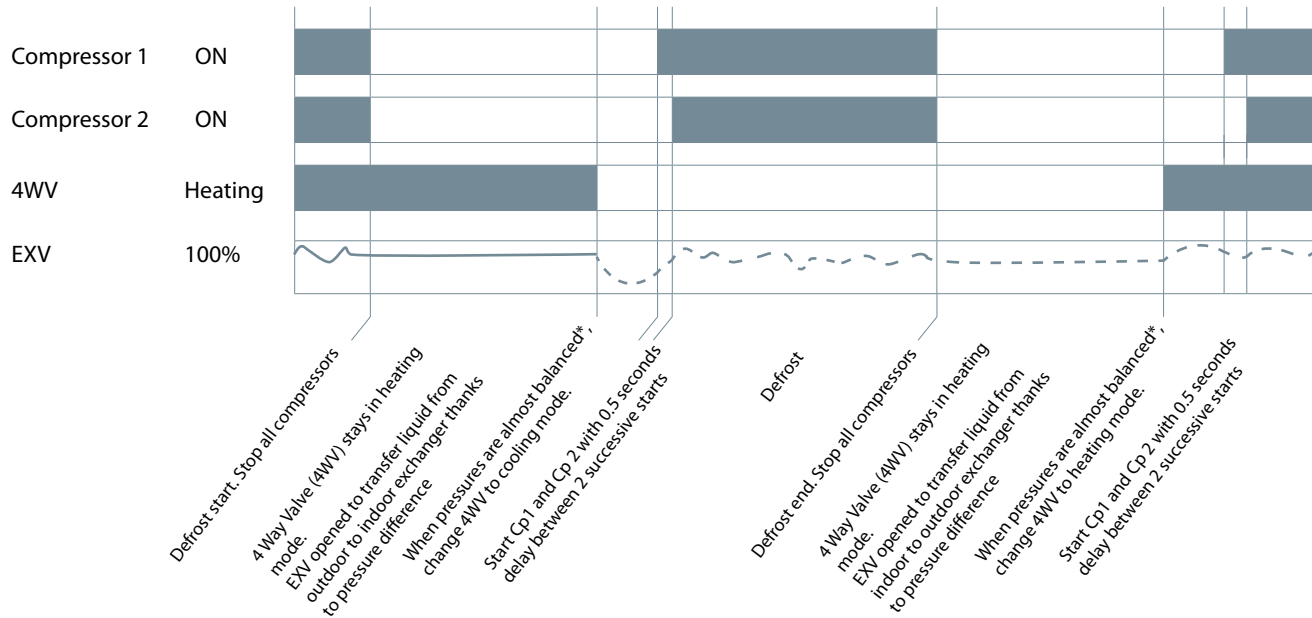
### Defrost logic recommendations

In reversible systems, the defrost logic can be worked out to limit liquid flood back effect by:

1. Running full load during defrost to share liquid refrigerant between all compressors.

2. Transferring liquid refrigerant from one exchanger to the other one thanks to pressures.

The following defrost logic combines both advantages:



\* EXV Opening degree and time have to be set to keep a minimum pressure for 4 way valve moving. In any case, defrost logics must respect requirements and tests described in sections "Manage superheat" and "Manage operating envelope".

### Pump-down logic recommendations

Pump down is initiated prior to shutting down the last compressor on the circuit by de-energizing a liquid line solenoid valve or closing electronic expansion valve. When suction pressure reached the cut-out pressure, compressor is stopped, and liquid solenoid valve or electronic expansion valve remains closed.

Two types of pump-down exist:

- One shot pump down (preferred): when last compressor of the circuit stops, suction pressure is decreased 22psi (R22,R407C), 36psi (R410A) below nominal evaporating pressure. Even if suction pressure increases again, the compressor will not restart.
- Continuous pump-down: traditional pump-down, Compressor restarts automatically when suction pressure increases. A non-return valve in the discharge line is recommended.



## Reduce moisture in the system

	<p>Excessive air and moisture</p> <ul style="list-style-type: none"> <li>• can increase condensing pressure and cause excessively high discharge temperatures.</li> <li>• can create acid giving rise to copper plating.</li> </ul>	<ul style="list-style-type: none"> <li>• can destroy the lubricating properties of the oil. All these phenomena can reduce service life and cause mechanical and electrical compressor failure.</li> </ul>
<b>Requirements</b>	<p>H-series compressors are delivered with &lt; 100 ppm moisture level. At the time of commissioning, system moisture content may be up to 100 ppm.</p>	<p>During operation, the filter drier must reduce this to a level between 20 and 50 ppm.</p>
<b>Solutions</b>	<p>To achieve this requirement, a properly sized and type of drier is required. Important selection criteria's include:</p> <ul style="list-style-type: none"> <li>• driers water content capacity,</li> <li>• system refrigeration capacity,</li> <li>• system refrigerant charge.</li> </ul>	<p>For new installations with H-series compressors with polyolester oil, Danfoss recommends using the Danfoss DML (100% molecular sieve) solid core filter drier.</p>

## Assembly line procedure

### Compressor storage

Store the compressor not exposed to rain, corrosive or flammable atmosphere between -31°F and 158°F when charged with nitrogen and

between -31°F and 131°F when charged with refrigerant.

### Compressor holding charge

Each compressor is shipped with a nominal dry nitrogen holding charge between 4 and 10psi and is sealed with elastomer plugs.

- Respect the following sequence:
  - Remove the nitrogen holding charge via the suction Schrader valve to avoid an oil mist blow out.

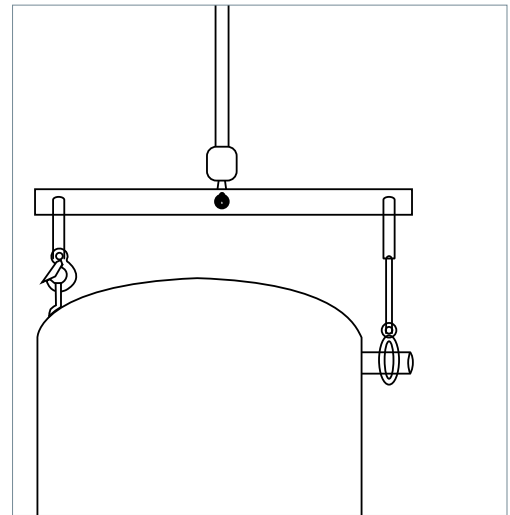
- Remove the suction plug first and the discharge plug afterwards to avoid discharge check valve gets stuck in open position. An opened compressor must not be exposed to air for more than 20 minutes to avoid moisture is captured by the PVE oil.

### Handling

- Each Danfoss H-series scroll compressor is equipped with the lift ring on the top shell and ring for the discharge port.
  - Always use both these rings when lifting the compressor.
  - Use lifting equipment rated and certified for the weight of the compressor or compressor assembly.
  - A spreader bar rated for the weight of the compressor is highly recommended to ensure a better load distribution.
  - The use of lifting hooks closed with a clasp is recommended.

- For tandem and trio assemblies, use a spreader bar and all compressor rings as shown in picture below.
- Never use the lift rings on the compressor to lift the full unit.

Maintain the compressor in an upright position during all handling manoeuvres (maximum of 15° from vertical).



## Assembly line procedure

### Piping assembly

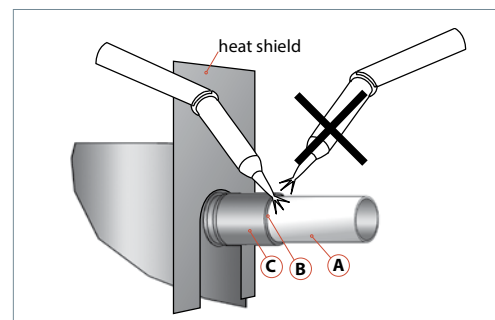
Good practices for piping assembly is a pre-requisite to ensure compressor service life.

#### System cleanliness

Circuit contamination possible cause:	Requirement:
Brazing and welding oxides	During brazing, flow nitrogen through the system
Filings and particles from the removal of burrs in pipe-work	Remove any particles and burrs generated by tube cutting and hole drilling
Moisture and air	Use only clean and dehydrated refrigeration grade copper tubing Opened compressor must not be exposed to air more than 20 minutes to avoid moisture captured by POE oil.

#### Brazing procedure:

- Brazing operations must be performed by qualified personnel.
  - Make sure that no electrical wiring is connected to the compressor.
  - To prevent compressor shell and electrical box overheating, use a heat shield and/or a heat-absorbent compound.
  - Clean up connections with degreasing agent
  - Flow nitrogen through the compressor.
- Use flux in paste or flux coated brazing rod.
  - Use brazing rod with a minimum of 5% silver content.
  - It is recommended to use double-tipped torch using acetylene to ensure a uniform heating of connection.
  - To enhance the resistance to rust, a varnish on the connection is recommended.



**!** Before eventual un-brazing of the compressor or any system component, the refrigerant charge must be removed.

### System pressure test and leak detection

- !** The compressor has been strength tested and leak proof tested (<3g/year) at the factory.
- For system tests:
- Always use an inert gas such as Nitrogen or Helium.
  - Pressurize the system on HP side first then LP side.
  - Do not exceed the following pressures:

Maximum compressor test pressures	
Maximum compressor test pressure high side (HP)	653 psi(g). Do keep the low side pressure not exceed 451 psi(g)
Maximum compressor test pressure low side (LP)	451 psi(g)

## Assembly line procedure

GENERAL INFORMATION  
PRODUCT INFORMATION  
SYSTEM DESIGN  
INTEGRATION INTO SYSTEM  
ORDERING INFORMATION

### Vacuum evacuation and moisture removal

Requirements:

- Never use the compressor to evacuate the system.
- Connect a vacuum pump to both the LP and HP sides.
- Evacuate the system to a pressure of 500  $\mu\text{m Hg}$  (9.7 mpsi) absolute.

Recommendations:

- Energized heaters improve moisture removal.
- Alternate vacuum phases and break vacuum with Nitrogen to improve moisture removal.

For more detailed information see "Vacuum pump-down and dehydration procedure" TI-026-0302.

### Refrigerant charging



Initial charge:

- For the initial charge, the compressor must not run.
- Charge refrigerant as close as possible to the nominal system charge.
- This initial charging operation must be done in liquid phase between the condenser outlet and the filter drier.

- If needed, a complement of charge can be done:
- In liquid phase while compressor is running by slowly throttling liquid in.
  - On the low pressure side, as far away as possible from the compressor suction connection.
  - Never bypass safety low pressure switch.

For more detailed information see "Recommended refrigerant system charging practice" FRCC.EN.050.

### Dielectric strength and insulation resistance tests

The tests are performed on each compressor at the factory between each phase and ground.

- Dielectric strength test is done with a high potential voltage (hi-pot) of  $2U_n + 1000V$  AC at least, and leakage current must be less than 5 mA. Additional tests of this type are not recommended as it may reduce motor lifetime. Nevertheless, if such a test is necessary, it must be performed at a lower voltage.

- Insulation resistance is measured with a 500 V DC megohm tester and must be higher than 1 megohm.
- The presence of refrigerant around the motor windings will result in lower resistance values to ground and higher leakage current readings. Such readings do not indicate a faulty compressor. To prevent this, the system can be first operated briefly to distribute refrigerant.



Do not use a megohm meter nor apply power to the compressor while it is under vacuum as this may cause internal damage.

## Commissioning

### Preliminary check

- ⚠ Check electrical power supply:
  - Phase order: For H-series compressors, reverse rotation is obvious if the compressor do not build up pressure and sound level is abnormal high. For more details refer to section "Motor protection".
  - Voltage and voltage unbalance within tolerance: For more details refer to section "Motor voltage".

### Initial start-up

- Crankcase heaters must be energized at least 8 hours in advance to remove refrigerant.
  - A quicker start-up is possible by "jogging" the compressor to evacuate refrigerant.
- Start the compressor for 1 second, then wait for 1 to 2 minutes. After 3 or 4 jogs the compressor can be started. This operation must be repeated for each compressor individually.

### System monitoring

- The system must be monitored after initial startup for a minimum of 60 minutes to ensure proper operating characteristics such as:
- Correct superheat and subcooling.
  - Current draw of individual compressors within acceptable values (max operating current).
  - No abnormal vibrations and noise.
  - Correct oil level.
- If Oil Top-up is needed, it must be done while the compressor is idle. Use the schrader connector or any other accessible connector on the compressor suction line. Always use new cans. For more detailed information see "Lubricants filling in instructions for Danfoss Commercial Compressors" TI 2-025-0402.

### Oil level checking and top-up

- In installations with good oil return and line runs up to 50 ft, no additional oil is required. If installation lines exceed 50 ft, additional oil may be needed. 1 or 2% of the total system refrigerant charge (in weight) can be used to roughly define the required oil top-up quantity.
- Always use oil from new cans. Top-up the oil while the compressor is idle. Use any accessible connector on the compressor suction line and a suitable pump.

## Dismantle and disposal

---



Danfoss recommends that compressors and compressor oil should be recycled by a suitable company at its site.

GENERAL INFORMATION
PRODUCT INFORMATION
SYSTEM DESIGN
INTEGRATION INTO SYSTEM
ORDERING INFORMATION

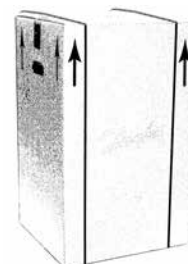
## Ordering information and packaging

### Packaging

#### Single pack

Compressors are packed individually in a cardboard box. They can be ordered in any quantity. Minimum ordering quantity = 1. As far as possible, Danfoss will ship the boxes on full pallets of 8,9, or 16 compressors according below table.

- Each box also contains following accessories:
- 4 grommets
- 4 assemblies of self tapping US thread bolts, washers and sleeves
- 4 additional sleeves
- 1 screw for earth connection
- Run capacitors are not provided

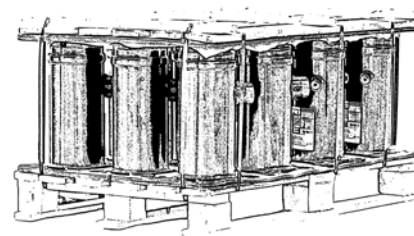


#### Industrial pack

Compressors are not packed individually but are shipped all together on one pallet. They can be ordered in quantities of full pallets only, multiples of 12 or 16 compressors, according below table.

Each industrial pack pallet contains following accessories:

- 4 grommets per compressor
- 4 sleeves per compressor



#### Packaging details

According to delivery region, packaging dimensions and compressor quantities are different.

See below for details. For US made H-series compressors (code number starting with 120U)

Delivered region	Packaging	Nbr	Pallet type	Comments
Americas Asia Pacific Middle East	Single pack	16	US pallet	Optimised for overseas container loading
	Industrial pack	16	US pallet	
Europe	Single pack	8	Danfoss pallet	-
	Industrial pack	12	Danfoss pallet	

\* Nbr : number of compressors/pallet

For CN made H series compressors (code number starting with 121L)

Delivered region	Packaging	Nbr	Pallet type	Comments
All	Single pack	9	Danfoss pallet	-
	Industrial pack	12	Danfoss pallet	

\* Nbr : number of compressors/pallet

## Ordering information and packaging

### Compressor code numbers

Danfoss H-series scroll compressors can be ordered in either industrial packs or in single packs.

Please use the code numbers from below tables for ordering.

### R22 Single pack



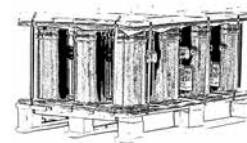
Compressors	Model Variation	Connections	Features	Code no.						
				1	2	4	5	7	9	
HRM032	U	P	6	120U0921						
HRM034	U	P	6	120U0926	120U1081	120U1001				
	T	P	6			120U2367				120U2087
HRM038	U	P	6	120U0931	120U1091	120U1011	120U0966	120U1056		
	T	P	6							120U2092
HRM040	U	P	6	120U0936	120U1101	120U1021				
HRM042	U	P	6	120U0941	120U1111	120U1031		120U1066		
	T	P	6			120U2127	120U2152			120U2107
HRM045	U	P	6	120U0946	120U1121	120U1041		120U1071		
HRM047	U	P	6	120U0951	120U1131	120U1051	120U0991	120U1076		
	T	P	6			120U2132	120U2162			120U2097
HRM048	U	C	8			120U1671				
	U	P	6	120U1496		120U1666		120U1791		
HRM051	T	P	6			120U1676				
	U	P	6	120U1506						
HRM054	U	C	6	120U1516						
	U	P	6	120U1511	120U1871	120U1696		120U1811		
	T	P	6							120U2292
	T	P	6	120U1521						
HRM058	U	C	6	120U1536						
	U	P	6	120U1531	120U1876	120U1711		120U1821		
HRM060	T	P	6	120U1541	120U2760	120U1721				120U2082
	U	C	6	120U1551	120U2077					
	U	P	6	120U1546	120U1881	120U1736	120U1611	120U1831		
HLM068	T	C	6		120U1891	120U1746				
	T	P	6	120U1556						
HLM072	T	C	6		120U1896	120U1751		120U2602	120U1856	
	T	P	6	120U1566						
HLM075	T	C	6		120U1901	120U1761		120U1836		
	T	P	6	120U1576			120U1636			
HLM078	T	C	6			120U1771				
	T	C	6							
HLM081	T	C	6		120U1911	120U1776				120U2102
	T	P	6	120U1586						
HCM094	T	C	6		120U0891	120U0581		120U0711	120U0746	
	T	C	7			120U0586				
	T	C	8			120U0596		120U0721		
HCM109	T	C	6		120U2506	120U0366				
	T	C	6		120U0761	120U0391				
HCM120	T	C	7			120U0396				
	T	C	8			120U2207				

Made in US



## Ordering information and packaging

### R22 Industrial pack



Compressors	Model Variation	Connections	Features	Code no.						
				1	2	4	5	7	9	
HRM032	U	P	6	120U0918						
HRM034	T	P	6			120U2364				120U2084
	U	P	6	120U0923	120U1078	120U0998				
HRM038	T	P	6							120U2089
	U	P	6	120U0928	120U1088	120U1008	120U0963	120U1053		
HRM040	U	P	6	120U0933	120U1098	120U1018				
HRM042	T	P	6			120U2124	120U2149			120U2104
	U	P	6	120U0938	120U1108	120U1028		120U1063		
HRM045	U	P	6	120U0943	120U1118	120U1038		120U1068		
HRM047	T	P	6			120U2129	120U2159			120U2094
	U	P	6	120U0948	120U1128	120U1048	120U0988	120U1073		
HRM048	U	C	8			120U1668				
	U	P	6	120U1493		120U1663		120U1788		
HRM051	T	P	6			120U1673				
	U	P	6	120U1503						
HRM054	T	P	6							120U2289
	U	C	6	120U1513						
	U	P	6	120U1508	120U1868	120U1693		120U1808		
HRM058	T	P	6	120U1518						
	U	C	6	120U1533						
	U	C	8			120U1716				
	U	P	6	120U1528	120U1873	120U1708		120U1818		
HRM060	T	P	6	120U1538	120U2757	120U1718				120U2079
	U	C	6	120U1548	120U2074					
	U	P	6	120U1543	120U1878	120U1733	120U1608	120U1828		
HLM068	T	C	6		120U1888	120U1743				
	T	P	6	120U1553						
HLM072	T	C	6		120U1893	120U1748		120U2599	120U1853	
	T	P	6	120U1563						
HLM075	T	C	6		120U1898	120U1758		120U1833		
	T	P	6	120U1573			120U1633			
HLM078	T	C	6			120U1768				
HLM081	T	C	6		120U1908	120U1773				120U2099
	T	P	6	120U1583						
HCM094	T	C	6		120U0888	120U0578		120U0708	120U0743	
	T	C	7			120U0583				
	T	C	8			120U0593		120U0718		
HCM109	T	C	6		120U2503	120U0363				
	T	C	6		120U0758	120U0388				
HCM120	T	C	7			120U0393				
	T	C	8			120U2204				

Made in US

## Ordering information and packaging

### R407C Single pack

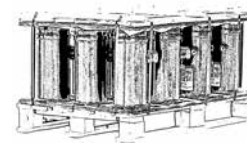


Compressors	Model Variation	Connections	Features	Code no.						
				1	2	4	5	7	9	
HRP025	T	P	6			120U3088				
HRP034	T	P	6			120U2024	120U2019			
HRP038	T	P	6		120U1086	120U1006	120U0961			
HRP040	T	P	6		120U1096	120U1016	120U1929			
HRP042	T	P	6			120U1026	120U2157			
HRP045	T	P	6			120U1036	120U0976			
HRP047	T	P	6		120U1126	120U1046	120U0986			
HRP048	T	C	8			120U1661				
HRP048	T	P	6			120U1656				
HRP051	T	P	6	120U1501	120U1861	120U1681				
HRP054	T	P	6			120U1691	120U2197			
HRP058	T	P	6			120U1701	120U1596			
HRP060	T	C	8			120U1731				
	T	P	6		120U2297	120U1726	120U1606			
HLP068	T	C	6			120U2014				
	T	P	6	120U1561			120U1621			
HLP072	T	C	6			120U1756				
	T	C	8			120U2072				
	T	P	6	120U1571			120U1631			
HLP075	T	C	6			120U1766				
HLP078	T	C	6		120U2458	120U2454				
HLP081	T	C	6		120U1916	120U1781				
	T	C	8			120U1786				
	T	P	6	120U1591			120U1651			
HCP094	T	C	6		120U0906	120U0601				
	T	C	7			120U0606				
	T	C	8		120U0916	120U0611				
HCP109	T	C	6			120U0376				
	T	C	7			120U0381				
HCP120	T	C	8			120U0386				
	T	C	6		120U0766	120U0401				
	T	C	7			120U0406				
	T	C	8			120U0411				

Made in US

## Ordering information and packaging

### R407C Industrial pack



Compressors	Model Variation	Connections	Features	Code no.						
				1	2	4	5	7	9	
HRP025	T	P	6			120U3087				
HRP034	T	P	6			120U2021	120U2016			
HRP038	T	P	6		120U1083	120U1003	120U0958			
HRP040	T	P	6		120U1093	120U1013	120U1926			
HRP042	T	P	6			120U1023	120U2154			
HRP045	T	P	6			120U1033	120U0973			
HRP047	T	P	6		120U1123	120U1043	120U0983			
HRP048	T	C	8			120U1658				
HRP048	T	P	6			120U1653				
HRP051	T	P	6	120U1498	120U1858	120U1678				
HRP054	T	P	6			120U1688	120U2194			
HRP058	T	P	6			120U1698	120U1593			
HRP060	T	C	8			120U1728				
	T	P	6		120U2294	120U1723	120U1603			
HLP068	T	C	6			120U2011				
	T	P	6	120U1558			120U1618			
HLP072	T	C	6			120U1753				
	T	C	8			120U2069				
	T	P	6				120U1628			
HLP075	T	C	6			120U1763				
HLP078	T	C	6		120U2455	120U2451				
HLP081	T	C	6		120U1913	120U1778				
	T	C	8			120U1783				
	T	P	6	120U1588			120U1648			
HCP094	T	C	6		120U0903	120U0598				
	T	C	7			120U0603				
	T	C	8		120U0913	120U0608				
HCP109	T	C	6			120U0373				
	T	C	7			120U0378				
	T	C	8			120U0383				
HCP120	T	C	6		120U0763	120U0398				
	T	C	7			120U0403				
	T	C	8			120U0408				

Made in US

## Ordering information and packaging

### R410A Single pack

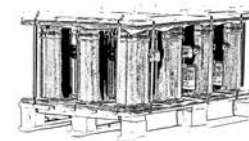


Compressors	Model Variation	Connections	Features	Code no.					
				1	2	4	5	7	9
HRH029	U	P	6	120U2277	120U2282	120U2287			
HRH031	U	P	6	120U1136	120U1251	120U1191	120U1166		
HRH032	U	P	6	120U1141	120U1256	120U1196	120U1171	120U1221	
HRH034	U	P	6	120U1146	120U1261	120U2443	120U2650	120U1226	
HRH036	U	P	6	120U1151	120U1266	120U1201	120U1176	120U1231	
HRH038	U	P	6	120U1156	120U1271	120U1206	120U1181		120U2658
HRH039	U	P	6	120U2466					
HRH040	U	P	6	120U1161	120U1276	120U1211	120U1186	120U1241	
HRH041	U	P	6	120U1281	120U1451	120U1356		120U1406	
	U	C	8		120U2407	120U2397			
HRH044	U	P	6	120U1286	120U1456	120U1361			
HRH047	U	P	6	120U2362					
HRH048	U	P	6	120U2582					
HRH049	U	P	6	120U1291	120U1461	120U1366			
	U	C	8		120U2482	120U2474		120U2478	
HRH050	U	P	6	120U2470					
HRH051	U	P	6	120U1296	120U1466	120U1371	120U1326	120U1421	
HRH054	U	P	6	120U1301	120U1471	120U1376	120U1331	120U1426	
HRH056	U	C	6			120U1386		120U2237	
	U	P	6	120U1306	120U1476	120U1381	120U1336	120U1431	
HLH061	T	C	6		120U2062	120U2052		120U2057	120U2450
	T	P	6	120U2042			120U2047		
	T	C	8		120U2494	120U2486		120U2490	
HLH068	T	C	6		120U1481	120U1391		120U1436	
	T	P	6	120U1311			120U1341		
	T	C	8		120U2427	120U2417		120U2422	
HLJ072	T	C	6		120U1486	120U1396		120U2037	
	T	P	6	120U1316			120U1346		
	T	C	8		120U2177	120U2167		120U2498	
HLJ075	T	C	6		120U2272	120U2267			
	T	C	6		120U1491	120U1401		120U1441	120U2387
	T	P	6	120U1321			120U1351		
HCJ090	T	C	8		120U2182	120U2172		120U2502	
	T	C	6		120U2307	120U2302		120U2312	
	T	C	7		120U2542	120U2534		120U2510	
HCJ105	T	C	8		120U2546	120U2538			
	T	C	6		120U2327	120U2322		120U2332	
	T	C	7			120U2574			
HCJ120	T	C	8		120U2554	120U2578			
	T	C	6		120U2347	120U2342		120U2352	
	T	C	7			120U2558			
	T	C	8		120U2570	120U2562			

Made in US

## Ordering information and packaging

### R410A Industrial pack



Compressors	Model Variation	Connections	Features	Code no.					
				1	2	4	5	7	9
HRH029	U	P	6	120U2274	120U2279	120U2284			
HRH031	U	P	6	120U1133	120U1248	120U1188	120U1163		
HRH032	U	P	6	120U1138	120U1253	120U1193	120U1168	120U1218	
HRH034	U	P	6	120U1143	120U1258	120U2446	120U2647	120U1223	
HRH036	U	P	6	120U1148	120U1263	120U1198	120U1173	120U1228	
HRH038	U	P	6	120U1153	120U1268	120U1203	120U1178		120U2655
HRH039	U	P	6	120U2463					
HRH040	U	P	6	120U1158	120U1273	120U1208	120U1183	120U1238	
HRH041	U	P	6	120U1278	120U1448	120U1353		120U1403	
	U	C	8		120U2404	120U2394			
HRH044	U	P	6	120U1283	120U1453	120U1358			
HRH047	U	P	6	120U2359					
HRH048	U	P	6	120U2579					
HRH049	U	P	6	120U1288	120U1458	120U1363			
	U	C	8		120U2479	120U2471		120U2475	
HRH050	U	P	6	120U2467					
HRH051	U	P	6	120U1293	120U1463	120U1368	120U1323	120U1418	
HRH054	U	P	6	120U1298	120U1468	120U1373	120U1328	120U1423	
HRH056	U	C	6			120U1383		120U2234	
HRH056	U	P	6	120U1303	120U1473	120U1378	120U1333	120U1428	
HLH061	T	P	6	120U2039			120U2044		
	T	C	6		120U2059	120U2049		120U2054	120U2447
	T	C	8		120U2491	120U2483		120U2487	
HLH068	T	C	6		120U1478	120U1388		120U1433	
	T	C	8		120U2424	120U2414		120U2419	
	T	P	6	120U1308			120U1338		
HLJ072	T	C	6		120U1483	120U1393		120U2034	
	T	C	8		120U2174	120U2164		120U2495	
	T	P	6	120U1313			120U1343		
HLJ075	T	C	6		120U2269	120U2264			120U1443
	T	C	6		120U1488	120U1398		120U1438	120U2384
HLJ083	T	C	8		120U2179	120U2169		120U2499	
	T	P	6	120U1318			120U1348		
	T	C	6		120U2304	120U2299		120U2309	
HCJ090	T	C	7		120U2539	120U2531		120U2507	
	T	C	8		120U2543	120U2535			
	T	C	6		120U2324	120U2319		120U2329	
HCJ105	T	C	7			120U2571			
	T	C	8		120U2551	120U2575			
	T	C	6		120U2344	120U2339		120U2349	
HCJ120	T	C	7			120U2555			
	T	C	8		120U2567	120U2559			

Made in US

## Ordering information and packaging

GENERAL INFORMATION  
 PRODUCT INFORMATION  
 SYSTEM DESIGN  
 INTEGRATION INTO SYSTEM  
 ORDERING INFORMATION

Model	Model variation	Voltage code	Connections	Features	Industrial pack	Single pack	
<b>R22</b>	HRM034	T	4	P	6	121L2364	121L2367
	HRM034	T	5	P	6	121L2119	121L2122
	HRM038	T	9	P	6	121L2089	121L2092
	HRM042	T	4	P	6	121L2124	121L2127
	HRM051	T	4	P	6	121L1673	121L1676
	HRM054	T	4	P	6	121L2749	121L2752
	HRM060	T	4	P	6	121L1718	121L1721
	HRM060	T	2	P	6	121L2757	121L2760
	HRM060	T	9	P	6	121L2079	121L2082
	HRM060	T	4	C	8	121L3071	121L3072
	HLM072	T	4	C	6	121L1748	121L1751
	HLM072	T	4	C	8	121L2064	121L2067
	HLM072	T	9	C	6	121L1853	121L1856
	HLM081	T	4	C	6	121L1773	121L1776
	HLM081	T	4	C	8	121L2006	121L2009
	HLM081	T	2	C	6	121L1908	121L1911
	HLM081	T	9	C	6	121L2099	121L2102
	HCM094	T	4	C	6	121L0578	121L0581
HCM109	T	4	C	6	121L0363	121L0366	
HCM120	T	4	C	6	121L0388	121L0391	
<b>R407C</b>	HRP025	T	4	P	6	121L3087	121L3088
	HRP034	T	4	P	6	121L2021	121L2024
	HRP042	T	4	P	6	121L1023	121L1026
	HRP051	T	4	P	6	121L1678	121L1681
	HRP054	T	4	P	6	121L1688	121L1691
	HRP054	T	4	C	6	121L3183	121L3184
	HRP060	T	2	P	6	121L2294	121L2297
	HRP060	T	4	P	6	121L1723	121L1726
	HLP072	T	4	C	6	121L1753	121L1756
	HLP081	T	2	C	6	121L1913	121L1916
	HLP081	T	4	C	6	121L1778	121L1781
	HLP081	T	4	C	8	121L1783	121L1786
	HCP094	T	4	C	6	121L0598	121L0601
	HCP109	T	4	C	6	121L0373	121L0376
HCP109	T	4	C	8	121L0383	121L0386	
HCP120	T	4	C	6	121L0398	121L0401	
<b>R410A</b>	HRH047	U	4	P	6	121L2848	121L2851
	HRH049	U	4	P	6	121L1363	121L1366
	HRH049	U	4	C	8	121L2471	121L2474
	HRH051	U	2	P	6	121L1463	121L1466
	HRH051	U	4	P	6	121L1368	121L1371
	HRH054	U	4	P	6	121L1373	121L1376
	HRH054	U	4	C	8	121L3030	121L3033
	HLH061	T	9	C	6	121L2447	121L2450
	HLH061	T	4	C	6	121L2049	121L2052
	HLH061	T	4	C	8	121L2483	121L2486
	HLH068	T	9	C	6	121L2985	121L2988
	HLH068	T	4	C	6	121L1388	121L1391
	HLJ072	T	9	C	6	121L2989	121L2992
	HLJ072	T	4	C	6	121L1393	121L1396
	HLJ072	T	4	C	8	121L2164	121L2167
	HLJ075	T	4	C	6	121L2264	121L2267
	HLJ083	T	9	C	6	121L2384	121L2387
	HLJ083	T	4	C	6	121L1398	121L1401
	HLJ083	T	4	C	8	121L2169	121L2172
	HLJ083	T	2	C	6	121L1488	121L1491
H CJ091	T	4	C	6	121L3112	121L3113	
H CJ091	T	4	C	8	121L3118	121L3119	
H CJ106	T	4	C	6	121L3114	121L3115	
H CJ106	T	4	C	8	121L3120	121L3121	
H CJ121	T	4	C	6	121L3116	121L3117	
H CJ121	T	4	C	8	121L3122	121L3123	

Industrial pack: 12 compressors per pallet  
 Single pack: 1 compressor in cardboard box, 9pcs on a full pallet

Made in China

## Spare parts & accessories

### Run capacitors for PSC wiring



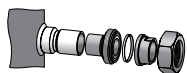
Type	Code n°	Description	Application	Packaging	Pack size
70 µF	120Z0051	PSC wiring Run Capacitor 70 µF,	50Hz, Motor Code 5: HRM025-042/HRP025-042/HRH029-036 60Hz, Motor Code 1 : HRM051-054/HRP051/HRH041-HRH051	Multipack	10
60 µF	120Z0050	PSC wiring Run Capacitor 60 µF,	50Hz, Motor Code 5: HRM045-047/HRP045-047/HRH038-040 60Hz, Motor Code 1 : HRM040-048/HRH038-HRH040	Multipack	10
55 µF	8173234	PSC wiring Run Capacitor 55 µF,	50Hz, Motor Code 5: HRM054-HLM081/HRP054-HLP081/ HRH051-HLJ083 60Hz, Motor Code 1 : HRM058-060/HRH036	Multipack	10
50 µF	8173233	PSC wiring Run Capacitor 50 µF,	50Hz, Motor Code 5: HRM051/HRP051 60Hz, Motor Code 1 : HRH032-034	Multipack	10
45 µF	8173232	PSC wiring Run Capacitor 45 µF,	60Hz, Motor Code 1 : HRM025-034/HRH031	Multipack	10

### Start capacitors and starting relay for CSR wiring



Type	Code n°	Description	Application	Packaging	Pack size
145-175 µF	120Z0399	CSR wiring Start Capacitor 145-175 µF,	50Hz, Motor Code 5: HRM025-047/HRP025-047/HRH029-040 60Hz, Motor Code 1 : HRM025-034/HRH031	Multipack	10
161-193 µF	120Z0400	CSR wiring Start Capacitor 161-193 µF,	50Hz, Motor Code 5: HRM051-054/HRP051-054 60Hz, Motor Code 1 : HRM048-054/HRP051/HRH041-HRH051	Multipack	10
88-108 µF	8173001	CSR wiring Start Capacitor 88-108 µF,	50Hz, Motor Code 5: HRM058-HLM081/HRP058-HLP081/ HRH051-HLJ083 60Hz, Motor Code 1 : HRM038-047/HRM058-060/HRH032-40	Multipack	10
RVA9CKL	120Z0393	CSR wiring Starting Relay, motor voltage code 5 - 220-240V / 1 / 50Hz	HRM/P032-047 HRH031-040	Multipack	10
RVA3EKL	120Z0394	CSR wiring Starting Relay, motor voltage code 5 - 220-240V / 1 / 50Hz	HRM/P051-054	Multipack	10
RVA4GKL	120Z0395	CSR wiring Starting Relay, motor voltage code 5 - 220-240V / 1 / 50Hz	HRM/P058-060 HLM/P068-081 HRH051-056 HLH061-068 HLJ072-083	Multipack	10
RVA2ACKL	120Z0396	CSR wiring Starting Relay, motor voltage code 1 -208-230V / 1 / 60Hz	HRM/P032-034 HRH031	Multipack	10
RVA2ABKL	120Z0397	CSR wiring Starting Relay, motor voltage code 1 -208-230V / 1 / 60Hz	HRM/P038-058U-060U HLM/068-081 HRH032- 056,HLH061-068,HLJ072-083	Multipack	10
RVAA4IKL	120Z0398	CSR wiring Starting Relay, motor voltage code 1 -208-230V / 1 / 60Hz	HRM058T1-060T1	Multipack	10

### Rotolock adaptor set



Type	Code n°	Description	Application	Packaging	Pack size
	120Z0126	Rotolock adaptor set (1-1/4" ~ 3/4") , (1" ~ 1/2")	HRP/HRM025-034-038-040-042 HRH029-031-032-034-036038 - group 1	Multipack	6
	120Z0127	Rotolock adaptor set (1-1/4" ~ 7/8") , (1" ~ 1/2")	HRP/HRM045-047-051-057-058- 060-068-072-075 HRH040-041-044-049-051-056- 061-068-072-075-083 - group 2	Multipack	6
	120Z0128	Rotolock adaptor set (1-1/4" ~ 7/8") , (1-1/4" ~ 3/4")	HRM/HRP078-081 - group 3	Multipack	6
	120Z0129	Rotolock adaptor set (1-3/4" ~ 1-1/8") , (1-1/4" ~ 7/8")	HCM/P094-109-120 HCJ090-091- 105-106-120-121 - group 4	Multipack	6

## Spare parts & accessories

### Rotolock adaptor



Type	Code n°	Description	Application (see above group)	Packaging	Pack size
	120Z0366	Rotolock adaptor (1-1/4" ~ 3/4")	Group 1 suction	Multipack	10
	120Z0367	Rotolock adaptor (1-1/4" ~ 7/8")	Group 2 & 3 suction	Multipack	10
	120Z0364	Rotolock adaptor (1-3/4" ~ 1-1/8")	Group 4 suction	Multipack	10
	120Z0365	Rotolock adaptor (1" ~ 1/2")	Group 1 & 2 discharge	Multipack	10
	120Z0366	Rotolock adaptor (1-1/4" ~ 3/4")	Group 3 discharge	Multipack	10
	120Z0367	Rotolock adaptor (1-1/4" ~ 7/8")	Group 4 discharge	Multipack	10

### Crankcase heater



Type	Code No	Description	Application	Packaging	Pack Size
	120Z0055	Belt type crankcase heater, 40 W, 230 V, CE mark	HRM032-034-038-040-042-045-047 - HRP025-038-040-042-045-047	Multipack	6
	120Z0056	Belt type crankcase heater, 40 W, 400 V, CE mark	- HRH029-032-034-036-038-040	Multipack	6
	120Z0057	Belt type crankcase heater, 50 W, 230 V, CE mark	HRM048-051-054-058-060 / HLM068-072-075 - HRP048-051-054-058-060 / HLP068-072-075 - HRH041-049-051-054-056 / HLH061-068 / HLJ072 / HLJ075	Multipack	6
	120Z0058	Belt type crankcase heater, 50 W, 400 V, CE mark		Multipack	6
	120Z0059	Belt type crankcase heater, 65 W, 230 V, CE mark, UL		Multipack	6
	120Z5011	Belt type crankcase heater, 70 W, 230 V, UL, CE mark	HLM078-081 / HCM094-109-120 - HLP081 / HCP094-109-120 - HLJ083	Multipack	6
	120Z0060	Belt type crankcase heater, 65 W, 400 V, CE mark, UL	- HCJ090-091-105-106-120-121	Multipack	6
	120Z5012	Belt type crankcase heater, 70 W, 460 V, UL, CE mark		Multipack	6
	120Z5013	Belt type crankcase heater, 70 W, 575 V, UL, CE mark		Multipack	6

### Discharge temperature protection



Type	Code No	Description	Application	Packaging	Pack Size
	7750009	Discharge thermostat kit	All models	Multipack	10
	7973008	Discharge thermostat kit	All models	Industry pack	50

### Lubricant



Type	Code No	Description	Application	Packaging	Pack Size
	120Z5034	PVE (0.95 liter can) 320HV (FVC68D)	HRH, HLH, HLJ, HCJ, HRP, HLP & HCP	Multipack	1



## Spare parts & accessories

### Mounting hardware



Type	Code No	Description	Application	Packaging	Pack Size
	120Z5017	Mounting grommet	All models	Single pack	1
	120Z5014	Mounting sleeve	All models	Single pack	1
	120Z5031	Mounting kit, including 1 bolt, 1 sleeve, 1 washer	All models	Single pack	1
	120Z5064	Mounting kit for 1 scroll compressor including 4 grommets, 4 sleeves, 4 bolts, 4 washers	All models	Single pack	1

### Acoustic hoods



Type	Code No	Description	Application	Packaging	Pack Size
	120Z5083	Acoustic hood	HRM032-047, HRP 032-047, HRH 031-040, HRH047, HRH048, HRH050	Single pack	1
	120Z5084	Acoustic hood	HRM048-081, HRP048-081, HRH044, HRH049, HRH051-056, HLH061-068, HLJ072-083	Single pack	1
	120Z5085	Acoustic hood	HRM094-120, HCP094-120, HCJ090-121	Single pack	1

### IP54 upgrade kit



Type	Code No	Description	Application	Packaging	Pack Size
	118U0056	IP54 upgrade kit for round terminal box (P & T version)	HRM, HLM, HCM, HRP, HLP, HCP, HRH, HLH, HLJ	Multipack	6
	118U0057	IP54 upgrade kit for square terminal box (C & Q version)	HRM, HLM, HCM, HRP, HLP, HCP, HRH, HLH, HLJ, HCJ	Multipack	6

### Terminal box



Code No	Description	Application	Packaging	Pack Size
120Z5015	Round terminal box (P & T version)	P and T version	Multipack	10
120Z5018	Square terminal box (C & Q version)	C and Q version	Multipack	10

# Danfoss Commercial Compressors

is a worldwide manufacturer of compressors and condensing units for refrigeration and HVAC applications. With a wide range of high quality and innovative products we help your company to find the best possible energy efficient solution that respects the environment and reduces total life cycle costs.

We have 40 years of experience within the development of hermetic compressors which has brought us amongst the global leaders in our business, and positioned us as distinct variable speed technology specialists. Today we operate from engineering and manufacturing facilities spread across three continents.



Our products can be found in a variety of applications such as rooftops, chillers, residential air conditioners, heatpumps, coldrooms, supermarkets, milk tank cooling and industrial cooling processes.

<http://danfoss.us.com>

Danfoss Commercial Compressors, BP 331, 01603 Trévoux Cedex, France | +334 74 00 28 29



Danfoss can accept no responsibility for possible errors in catalogues, brochures and other printed material. Danfoss reserves the right to alter its products without notice. This also applies to products already on order provided that such alterations can be made without consequential changes being necessary in specifications already agreed. All trademarks in this material are property of the respective companies. Danfoss and the Danfoss logotype are trademarks of Danfoss A/S. All rights reserved.