



6390 Phillips Highway
Jacksonville, FL 32216
Phone (904) 737-7144

SPECIFICATION DATA SHEET

MODEL No. 500

ADJUSTABLE AIR HANDLER STAND

Date: 07/18/07 rev.

Drawn by: M.D.C.

DIMENSIONAL DATA

WIDTH: 14" - 25" (ADJUSTABLE)
DEPTH: 22" (FIXED)
HEIGHT: 18" (FIXED)
LEGS: 3" x 3"

FABRICATION DATA

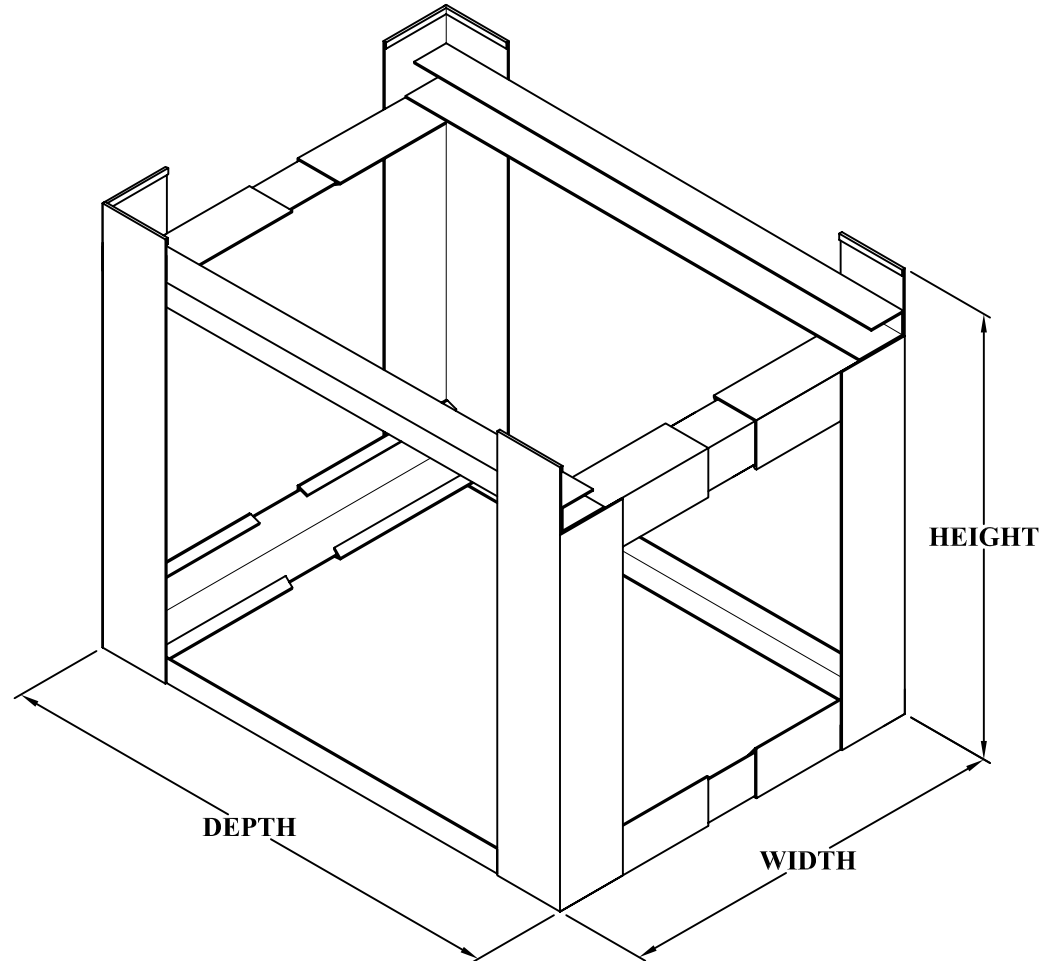
MATERIAL: 18 GAUGE GALVANIZED STEEL,
ASTM-A653 CS TYPE B.
SPOT WELDED SEAM CONSTRUCTION.

FEATURES

STAND FITS MOST SIZES OF 1-1/2 THROUGH 3 TON
AIR HANDLERS.

SET STAND TO DESIRED WIDTH TO FIT AIR
HANDLER. FASTEN TELESCOPING ANGLES WITH
SHEET METAL SCREWS.

BUILT-IN FILTER RACK FOR 1" THICK FILTER.



OPTIONS

No. 500-28 AIR HANDLER STAND (DEPTH IS 28")

No. 600 ADJUSTABLE AIR HANDLER STAND

SPECIAL NOTES