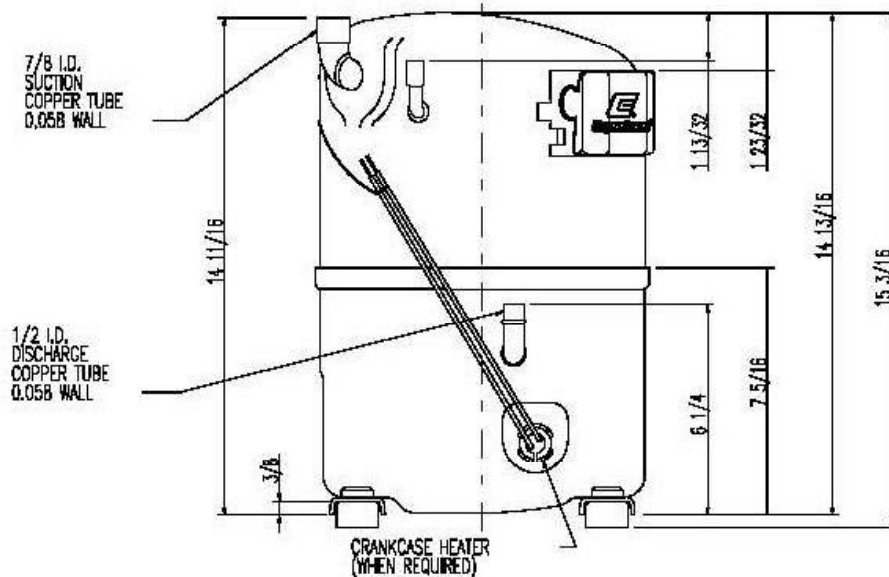
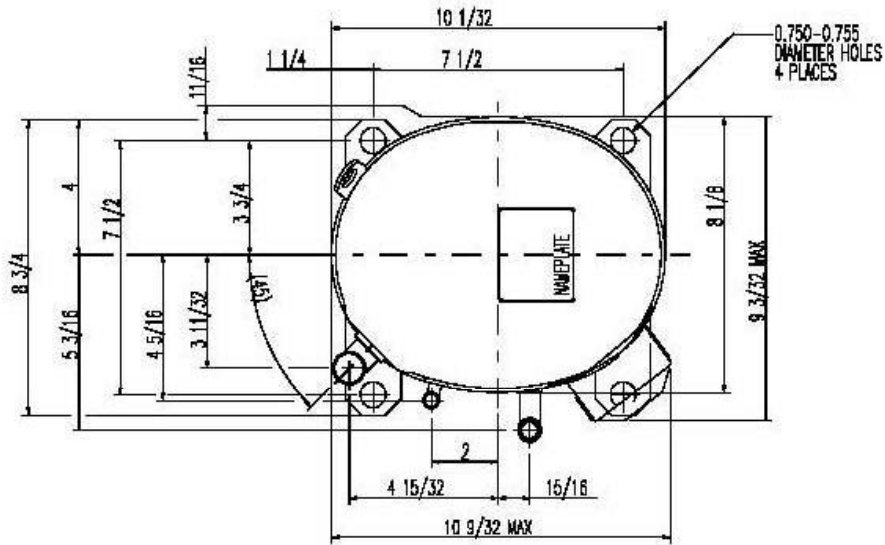


PROSTOCK / DIVISION OF RHEEM MFG.



MANUFACTURER	: COPELAND	NOMINAL CAPACITY	: 47,200 BTU/HR
MFR'S MODEL NO	: CR47KQ-TF5	NOMINAL WATTS	: 4540
BILL OF MATERIAL NO	: CR47KQ-TF5-980WB	VOLTS	: 200/230
MFR'S DRAWING NO	: 497-3573-00	PHASE	: 3
DESIGN REFRIGERANT	: R-22	HERTZ	: 60
COMPRESSION METHOD	: RECIPROCATING	RATED LOAD AMPS	: 16.0
NET WEIGHT	: 78	MAX. CONT. CURRENT	: 22.5
PRESS. RELIF VALVE	:	LOCKED ROTOR AMPS	: 97.00
RELIF VALVE SETTING	:	RECMD. CAPACITOR	: N/A MFD @ VAC.
CRANK CASE HEATER	: YES	RECMD. START RELAY	:
RECMD. C.C.H. WATTS	:	RECMD. START CAP.	:
MOUNTING HOLES	:	OVERLOAD MODEL NO	: 071-0501-53
U.L. FILE NO	: SA-2337	OIL CHARGE	: 45 OZ.
C.S.A. FILE NO	: LR3104C	OIL TYPE	: Mineral

Dr. By.	Date	Original Release No.	Pg.	Rev.
M. Altiner	03 / 21 / 2002	P-00063	01	00

**COMPRESSOR**

**PART NO  
55-25100-13S**

REVISION

