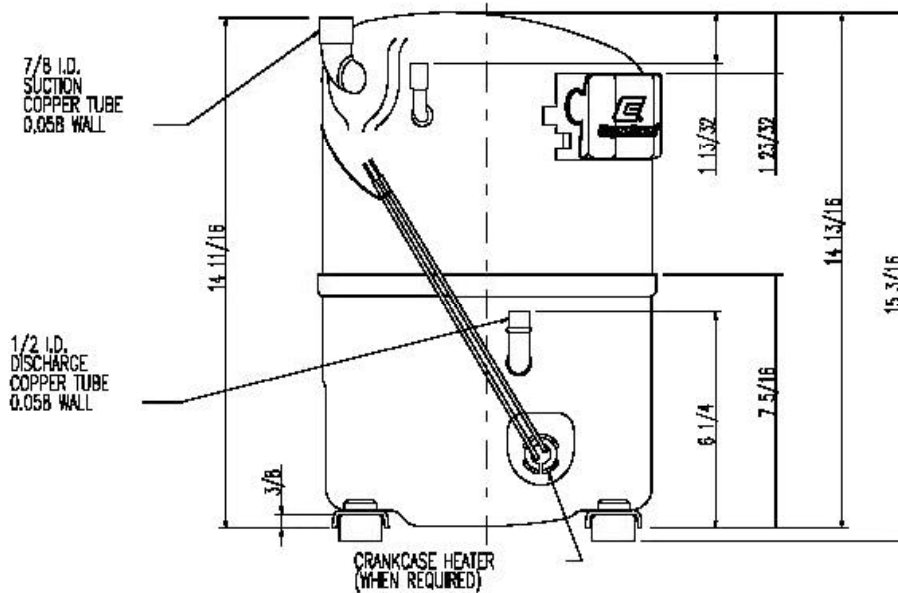
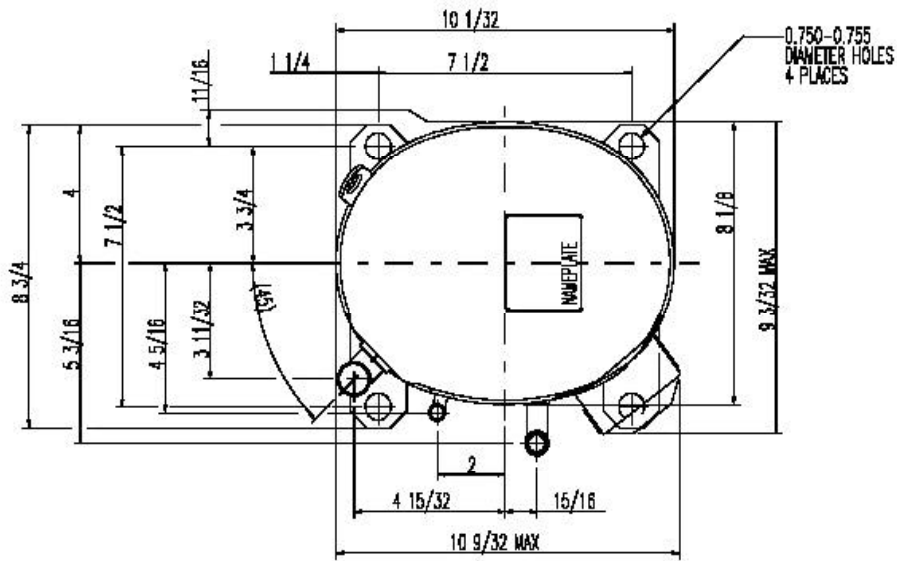


UNIVERSAL PARTS / DIVISION OF RHEEM MFG.



MANUFACTURER	: COPELAND	NOMINAL CAPACITY	: 47,200 BTU/HR
MFR'S MODEL NO	: CR47KQ-TFD	NOMINAL WATTS	: 4540
BILL OF MATERIAL NO	: CR47KQ-TFD-980WB	VOLTS	: 460
MFR'S DRAWING NO	: 497-3573-00	PHASE	: 3
DESIGN REFRIGERANT	: R-22	HERTZ	: 60
COMPRESSION METHOD	: RECIPROCATING	RATED LOAD AMPS	: 8.2
NET WEIGHT	: 76	MAX. CONT. CURRENT	: 11.5
PRESS. RELIF VALVE	: YES	LOCKED ROTOR AMPS	: 50.00
RELIF VALVE SETTING	: 375-450 PSI	RECMD. CAPACITOR	: N/A MFD @ N/A VAC.
CRANK CASE HEATER	: YES	RECMD. START RELAY	: N/A
RECMD. C.C.H. WATTS	: 40	RECMD. START CAP.	: N/A MFD @ N/A VAC.
MOUNTING HOLES	:	OVERLOAD MODEL NO	:
U.L. FILE NO	: SA-2337	OIL CHARGE	: 45 OZ.
C.S.A. FILE NO	: LR3104C	OIL TYPE	: Mineral

Dr. By.	Date	Original Release No.	Rev.
M. Altiner	02 / 13 / 2001	P-00061	00

COMPRESSOR

**PART NO
55-25100-12S**

REVISION