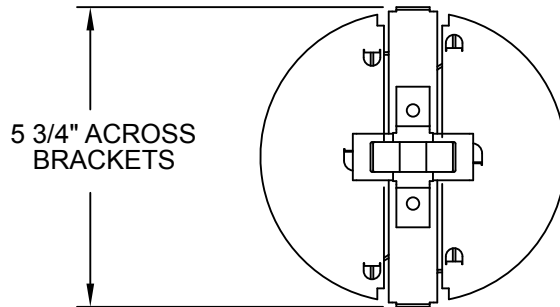
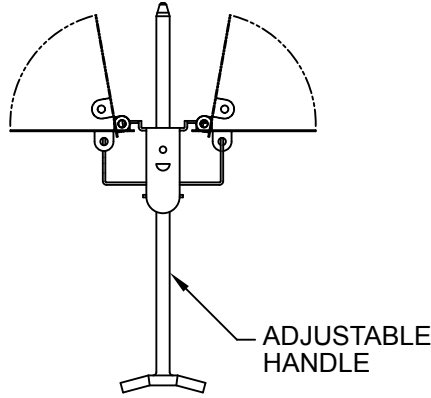




Continental Industries, Inc.
 100 West Windsor Avenue
 Elkhart, Indiana 46514
 Phone: 800.735.5272 • Fax: 574.262.2075
 Email: info@continentalindustries.com
 Web: www.continentalindustries.com

Submittal Drawing & Form



- Description**
- Galvanized
 - Standard Butterfly Damper
 - Removable Adjustment Handle
 - T-Bar Handle Included
 - Available in 6", 7", 8", 9", 10", 12", 14"

Project Details	Submitted by:	3800 Series Butterfly Damper
Job Title:		
Location:		
Architect:		
Engineer:		
Contractor:	Date:	SD-3800-01