

CASED HORIZONTAL DUCT COILS

ENVIRONMENTALLY SOUND R-410A SYSTEMS

2 THRU 5 TONS

FEATURES

- Horizontal, bi-directional airflow
- Bolt-on TXV metering device factory installed on all models (equalizer tube brazed in)
- Slide-out feature for easy cleaning
- Copper tube / aluminum fin slab coil
- Pre-painted steel cabinet

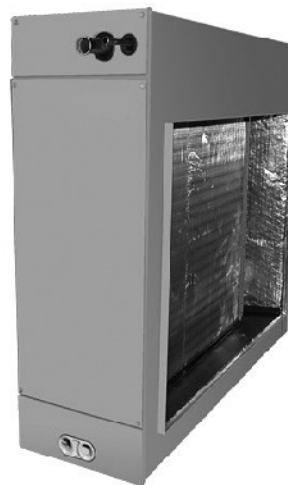
AVAILABLE WITH TIN COATED COPPER TUBING

- Model numbers ending in "AT" have industry exclusive tin coated copper main tubing for additional corrosion protection

WARRANTY*

- 5 year parts limited warranty
 - With timely registration, an additional 5 year parts limited warranty

* Applies to original purchaser/homeowner, some limitations may apply. See Warranty certificate for complete details.



Tin



Aluminum

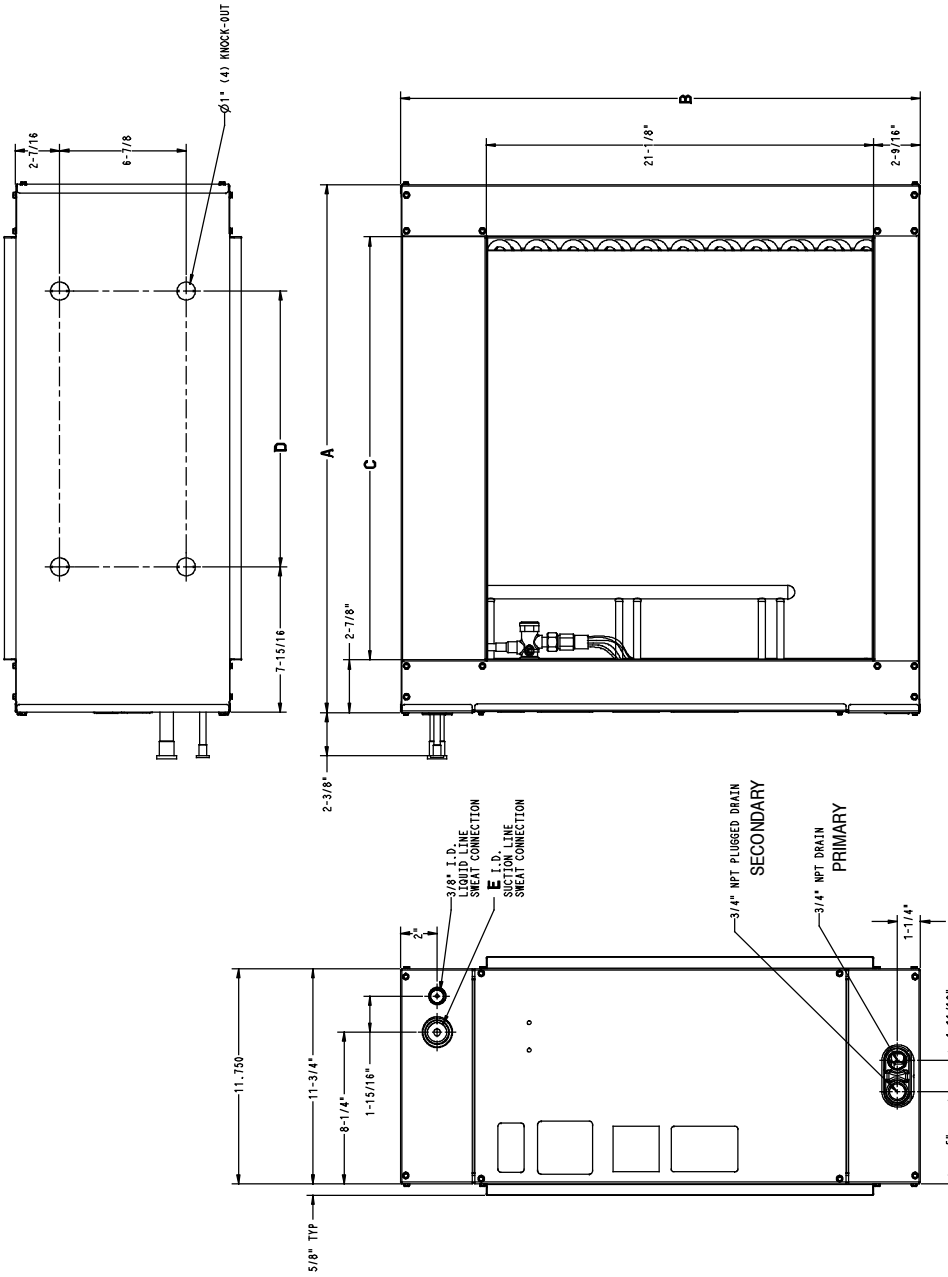


Use of the AHRI Certified TM Mark indicates a manufacturer's participation in the program. For verification of certification for individual products, go to www.ahridirectory.org.



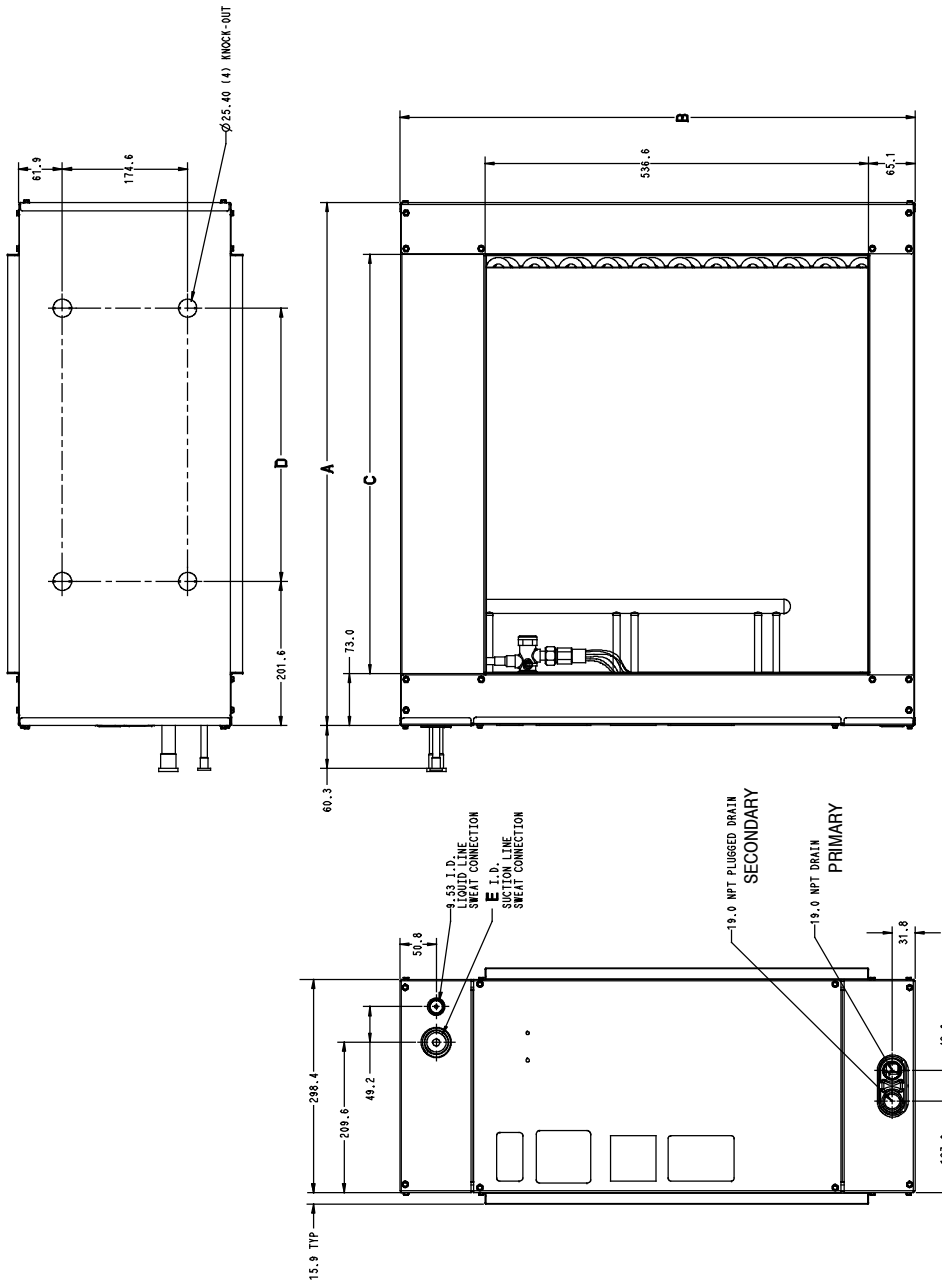
Model	Size (tons)	Dimensions H x W x D in. (mm)	Shipping Weight lbs. (kg)
EHD4X24AA	2	28 ³ / ₈ x 11 ³ / ₄ x 24 ¹ / ₁₆ (721 x 298 x 611)	53 (24)
24AAT		Tin Coated Copper	55 (25)
24AAL1		Aluminum	53 (24.0)
EHD4X30AA	2½	28 ³ / ₈ x 11 ³ / ₄ x 24 ¹ / ₁₆ (721 x 298 x 611)	54 (25)
30AAT		Tin Coated Copper	56 (25)
30AAL1		Aluminum	54 (24.5)
EHD4X36AA	3	28 ³ / ₈ x 11 ³ / ₄ x 28 ¹³ / ₁₆ (721 x 298 x 732)	61 (27)
36AAT		Tin Coated Copper	61 (28)
36AAL1		Aluminum	60.5 (27.4)
EHD4X42AA	3½	28 ³ / ₈ x 11 ³ / ₄ x 28 ¹³ / ₁₆ (721 x 298 x 732)	62 (28)
42AAT		Tin Coated Copper	63 (29)
42AAL1		Aluminum	62 (28.1)
EHD4X48AA	4	30 ³ / ₈ x 11 ³ / ₄ x 28 ¹³ / ₁₆ (772 x 298 x 732)	64 (29)
48AAT		Tin Coated Copper	65 (30)
48AAL1		Aluminum	64 (29)
EHD4X60AA	5	30 ³ / ₈ x 11 ³ / ₄ x 38 ¹⁵ / ₁₆ (772 x 298 x 989)	81 (37)
60AAT		Tin Coated Copper	83 (37)
60AAL1		Aluminum	80.5 (36.5)

Specifications subject to change without notice.



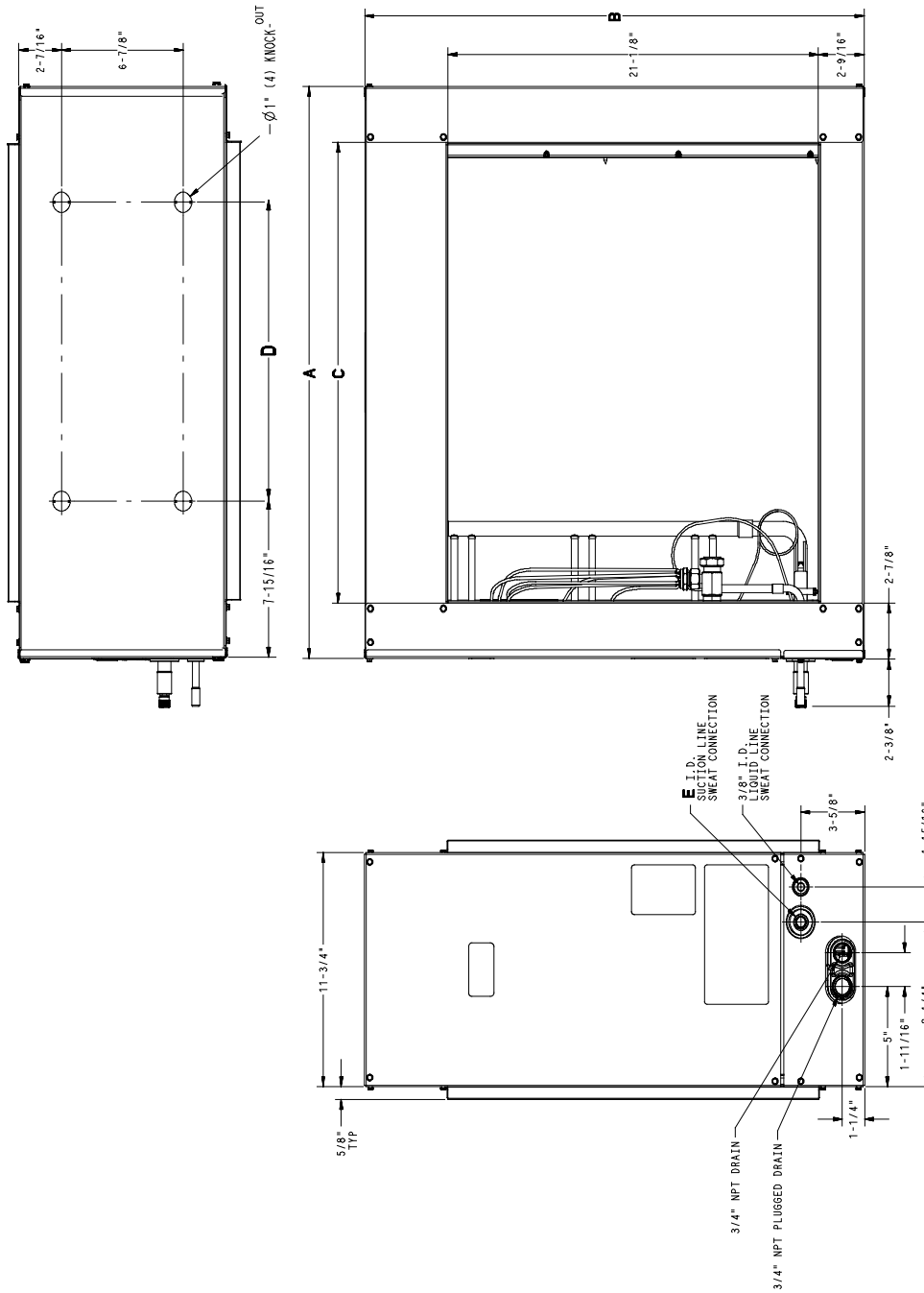
Dimensions Inches (English)

Model Size	A	B	C	D	E
24AAT	24 ¹ / ₁₆	28 ³ / ₈	16 ¹ / ₁₆	9 ³ / ₈	5 ⁸ / ₈
30AAT	24 ¹ / ₁₆	28 ³ / ₈	16 ¹ / ₁₆	9 ³ / ₈	3 ⁴ / ₄
36AAT	28 ¹³ / ₁₆	28 ³ / ₈	23 ¹ / ₁₆	15 ¹ / ₁₆	3 ⁴ / ₄
42AAT	28 ¹³ / ₁₆	28 ³ / ₈	23 ¹ / ₁₆	15 ¹ / ₁₆	3 ⁴ / ₄
48AAT	28 ¹³ / ₁₆	30 ³ / ₈	23 ¹ / ₁₆	17 ⁵ / ₈	7 ⁸ / ₈
60AAT	38 ¹⁵ / ₁₆	30 ³ / ₈	33 ¹³ / ₁₆	24 ¹³ / ₁₆	7 ⁸ / ₈



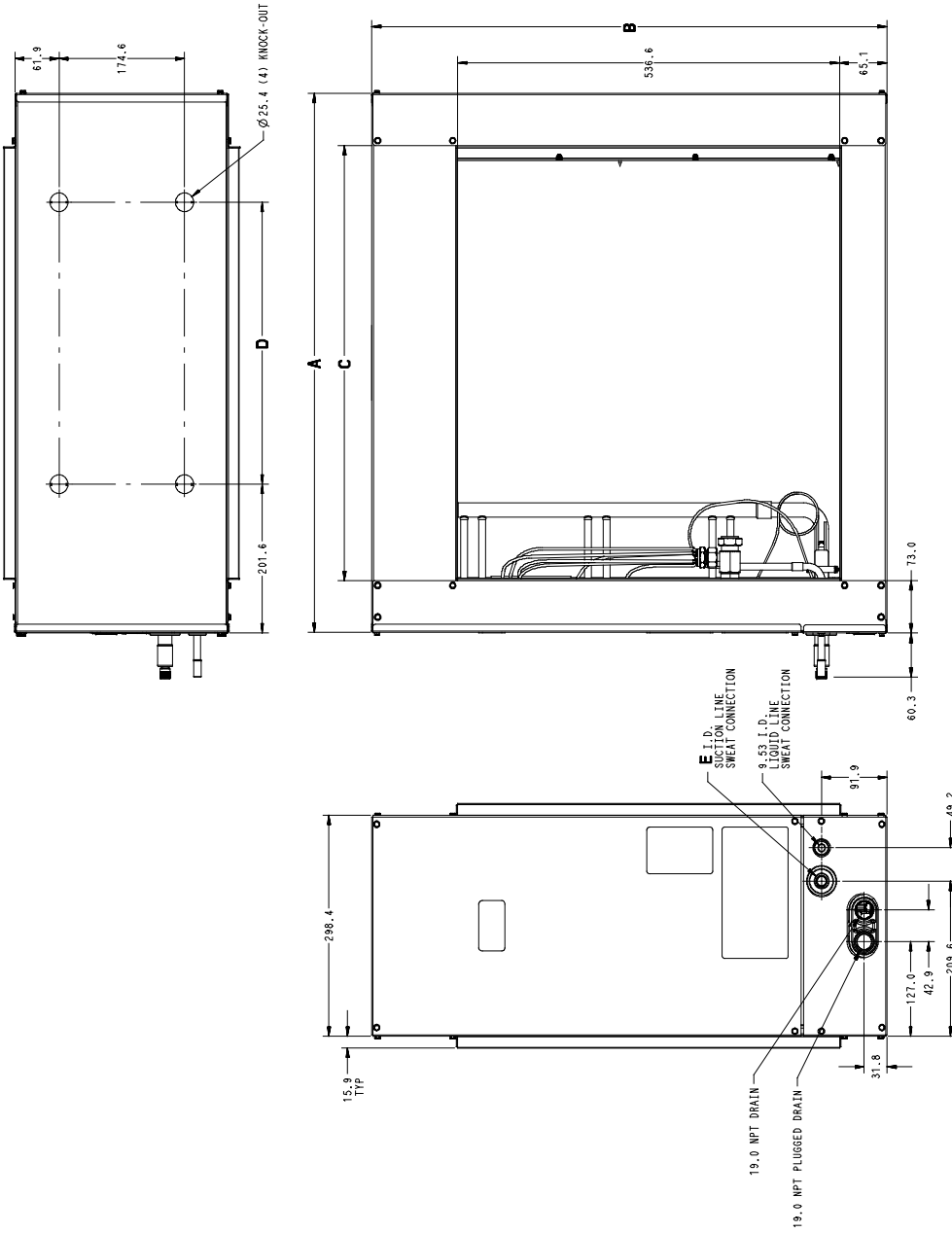
Dimensions mm (SI Metric)

Model Size	A	B	C	D	E
24AAT	611	721	408	238	16
30AAT	611	721	408	238	19
36AAT	732	721	586	383	19
42AAT	732	721	586	383	19
48AAT	732	772	586	448	22
60AAT	989	772	859	630	22



Dimensions Inches (English)

Model Size	A	B	C	D	E
24AAL	24 1/16	28 3/8	16 1/16	9 3/8	5/8
30AAL	24 1/16	28 3/8	16 1/16	9 3/8	3/4
36AAL	28 13/16	28 3/8	23 1/16	15 1/16	3/4
42AAL	28 13/16	28 3/8	23 1/16	15 1/16	3/4
48AAL	28 13/16	30 3/8	23 1/16	17 5/8	7/8
60AAL	38 15/16	30 3/8	33 13/16	24 13/16	7/8



Dimensions mm (SI Metric)

Model Size	A	B	C	D	E
24AAL	611.2	720.7	408.0	238.1	15.88
30AAL	611.2	720.7	408.0	238.1	19.05
36AAL	731.8	720.7	585.8	382.6	19.05
42AAL	731.8	720.7	585.8	382.6	19.05
48AAL	731.8	771.5	585.8	439.8	22.23
60AAL	989.0	771.5	855.8	630.2	22.23

PHYSICAL DATA						
	Model Size					
	24	30	36	42	48	60
TXV factory installed, hard shut-off, bi-flow type for heat pump application, non-adjustable superheat						
R-410A TXV Size	2 ton		3 ton	4 ton	5 ton	
TXV Connections	TXV-to-coil = Bolt-on 3/4-20 UNF straight thread (factory assembled)					
	field line set to TXV = 3/8" (10mm) sweat (female)					
	equalizer-to-coil = brazed in (factory brazed)					
Nominal Acceptable CFM Range						
CFM (L/s) - min	700 (330)	875 (413)	1050 (496)	1225 (578)	1400 (661)	1750 (826)
CFM (L/s) - max	900 (425)	1125 (531)	1350 (637)	1575 (743)	1800 (850)	2000 (944)
Coil Data (all coils 1 slab, lanced sine wave bare aluminum fin)						
Face Area ft ² (m ²)	2.98 (0.28)	3.34 (0.31)	4.02 (0.37)	4.42 (0.41)	4.76 (0.44)	6.22 (0.58)
Slab H x W in. (mm)	26 x 16½ (660 x 419)	26 x 18½ (660 x 470)	26 x 22¼ (660 x 565)	26 x 24½ (660 x 622)	28 x 24½ (711 x 622)	28 x 32 (711 x 813)
Fins Per Inch	15	14	15	15	15	14
Refrigerant Line Connections (sweat)						
Liquid in. (mm)	3/8 (10)	3/8 (10)	3/8 (10)	3/8 (10)	3/8 (10)	3/8 (10)
Suction in. (mm)	5/8 (16)	3/4 (19)	3/4 (19)	7/8 (22)	7/8 (22)	7/8 (22)

ACCESSORIES	
Description	Part Number
Fossil Fuel Kit	AXWR01DFB
PVC Condensate Trap Kit (box of 50)	EBAC01CTK

STATIC PRESSURE DROP ACROSS COIL AT A GIVEN CFM							
Coil Size	CFM Across Coil	Static Pressure Drop Across Coil (Inches Water Column)		Coil Size	CFM Across Coil	Static Pressure Drop Across Coil (Inches Water Column)	
		Dry	Wet			Dry	Wet
24 2 tons	400	0.060	0.069	48 4 tons	600	0.063	0.080
	500	0.081	0.096		700	0.076	0.101
	600	0.104	0.129		800	0.091	0.123
	700	0.129	0.162		900	0.105	0.149
	800	0.155	0.198		1000	0.121	0.175
	900	0.186	0.237		1100	0.138	0.206
	1000	0.217	0.278		1200	0.157	0.215
30 2½ tons	400	0.044	0.050		1300	0.175	0.231
	500	0.060	0.071		1400	0.195	0.261
	600	0.077	0.093		1500	0.217	0.291
	700	0.097	0.116		1600	0.238	0.325
	800	0.116	0.144		1700	0.260	0.361
	900	0.140	0.172		1800	0.284	0.394
	1000	0.165	0.203		60 5 tons	800	0.051
1100	0.190	0.235	900	0.060		0.076	
1200	0.219	0.269	1000	0.069		0.089	
36 3 tons	400	0.043	0.048	1100		0.079	0.102
	500	0.058	0.066	1200		0.090	0.118
	600	0.074	0.086	1300		0.101	0.135
	700	0.089	0.104	1400		0.113	0.155
	800	0.107	0.128	1500		0.125	0.175
	900	0.127	0.154	1600		0.138	0.193
	1000	0.150	0.182	1700		0.153	0.214
	1100	0.172	0.212	1800	0.165	0.235	
	1200	0.197	0.245	1900	0.180	0.258	
	1300	0.224	0.280	2000	0.195	0.279	
42 3½ tons	1400	0.252	0.317	600	0.065	0.076	
	600	0.065	0.076	700	0.079	0.094	
	700	0.079	0.094	800	0.095	0.114	
	800	0.095	0.114	900	0.113	0.137	
	900	0.113	0.137	1000	0.134	0.163	
	1000	0.134	0.163	1100	0.154	0.189	
	1100	0.154	0.189	1200	0.176	0.215	
	1200	0.176	0.215	1300	0.197	0.245	
	1300	0.197	0.245	1400	0.220	0.273	
	1400	0.220	0.273	1500	0.246	0.303	
1500	0.246	0.303	1600	0.268	0.332		
1600	0.268	0.332					

COIL MODEL NUMBER IDENTIFICATION GUIDE									
	E	H	D	4	X	24	A	A	1
E = Evaporator		TYPE							
H = Horizontal									
D = Duct		APPLICATION							
4 = Environmentally Sound R-410A				REFRIGERANT					
X = TXV				METERING DEVICE					
24 = 24,000 BTUH = 2 tons									
30 = 30,000 BTUH = 2½ tons									
36 = 36,000 BTUH = 3 tons									
42 = 42,000 BTUH = 3½ tons									
48 = 48,000 BTUH = 4 tons									
60 = 60,000 BTUH = 5 tons				NOMINAL CAPACITY					
A = 11.8" (298mm)						WIDTH			
A = Standard									
AT = Tin Coated Copper Tubes for Additional Corrosion Protection									
AL = Aluminum								SALES CODE / FEATURES	
Engineering Revision									