

## EXPANSION VALVE COILS

### ALL MODELS

- 1½ thru 5 Tons
- Copper tube / aluminum fin "A" coil with latest high-tech fin design
- Bolt-on TXV metering device factory installed on all models
- TXV and manifold positioned to the side for easier cleaning
- Innovative drain pan design for complete water removal
- Two condensate drain connections (EDM has additional two for horizontal installation)
- 2-piece delta plate for easier removal and cleaning

### CASED COILS

- Upflow cabinet widths and horizontal cabinet depths match flush with ICP gas furnaces
- Removable front access panel
- Easy slide-out coil for inspection
- UV light knock-out provided on cabinet
- Hemmed flanges for safer handling
- Foil faced insulation
- Non-sweat cabinet, even at extreme conditions
- Cabinets meet or exceed 2% air leakage codes
- Sturdy, 22 gauge, pre-painted steel cabinet

#### EDM

- Multiposition installation - upflow, downflow, or horizontal
- Available for R-410A or R-22 systems
- Available with industry exclusive tin coated copper main tubing for additional corrosion protection

#### EDD

- Upflow or downflow installation
- Available for R-410A or R-22 systems
- Available with industry exclusive tin coated copper main tubing for additional corrosion protection

#### EBD

- Value Line, upflow or downflow R-22 only

### UNCASED A-COILS

#### EDA

- Upflow or downflow installation
- Available for R-410A or R-22 systems
- Available with industry exclusive tin coated copper main tubing for additional corrosion protection

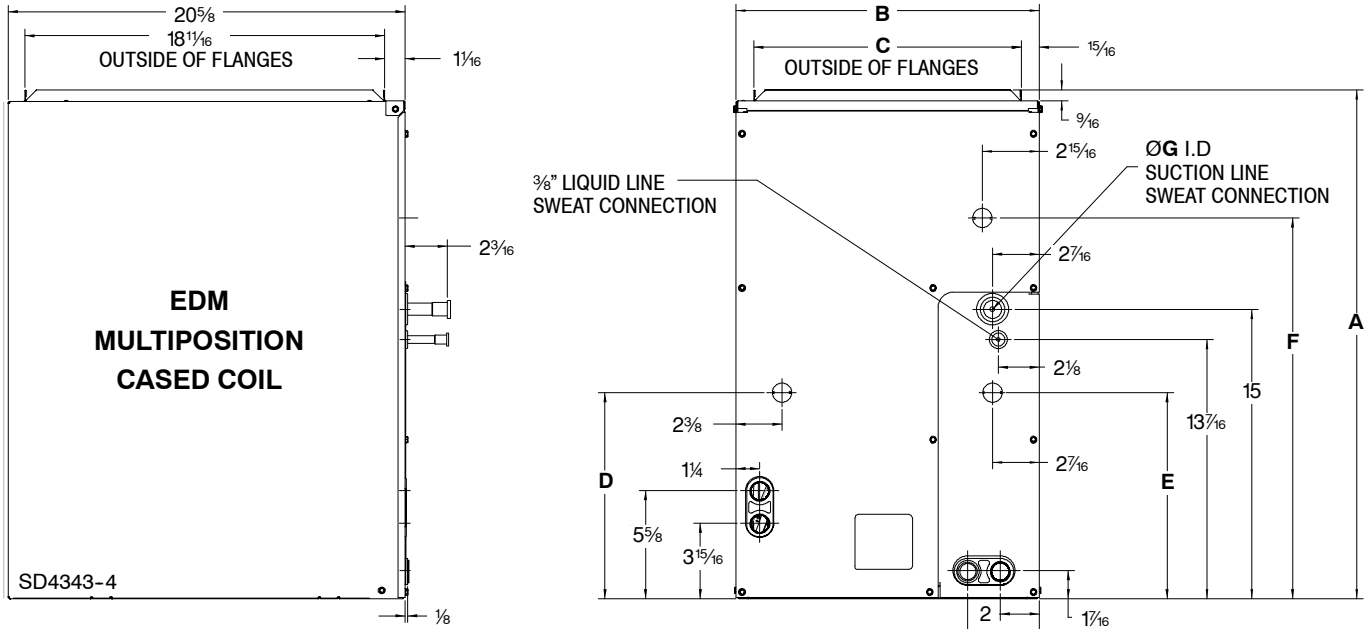
#### EBA

- Value Line, upflow or downflow R-22 only



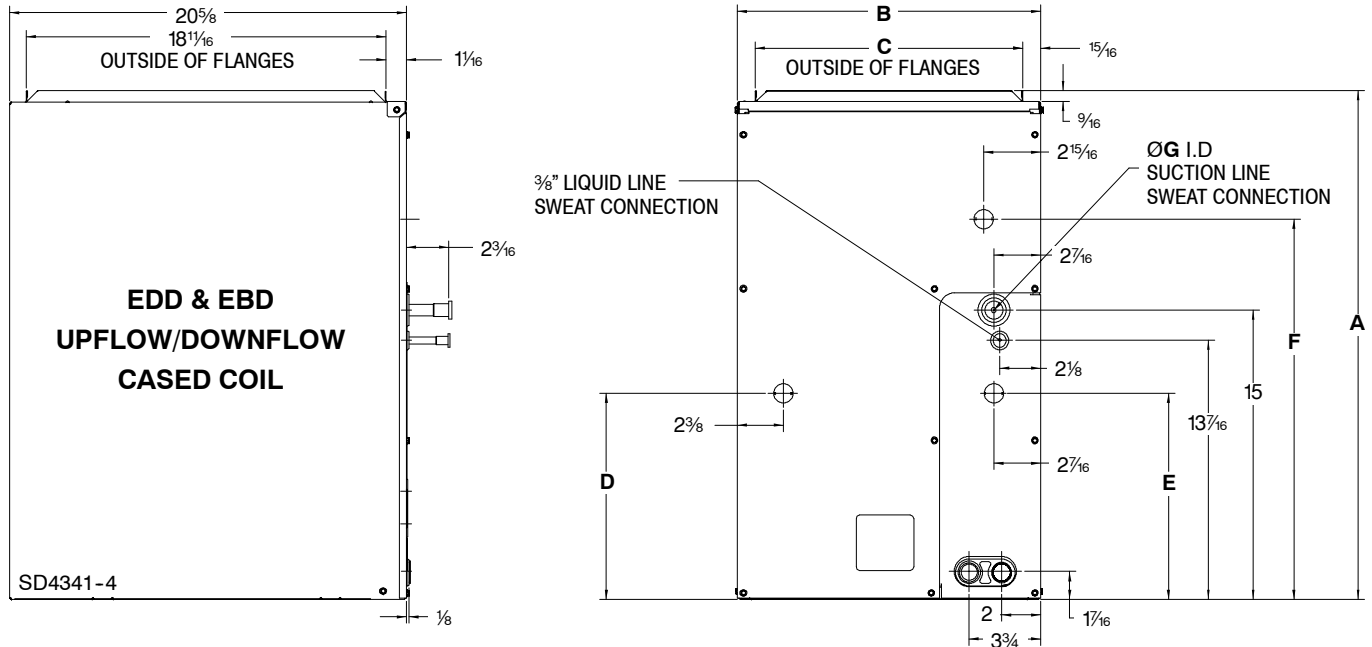
Rated in accordance with ARI Standard 210 and/or 240. Certification applies only when used with proper components as listed with ARI.

Available Styles	EDM	EDD	EDA	EBD	EBA
Cased	✓	✓		✓	
Uncased			✓		✓
Horizontal Flow	✓				
Upflow	✓	✓	✓	✓	✓
Downflow	✓	✓	✓	✓	✓
R-410A	✓	✓	✓		
R-22	✓	✓	✓	✓	✓
Plain Tubes	✓	✓	✓	✓	✓
Tin Coated Tubes	✓	✓	✓		



**DIMENSIONAL DATA - EDM (refer to drawing at top of chart)**

Model	Size (tons)	All Dimensions Inches										Shipping Weight (lbs)
		A	B	C	D	E	F	G				
EDM 4X 2X 18B A AT	1 1/2	26 7/16	15 3/4	13 7/8	10 1 1/16	10 1 1/16	-	5/8	53.9			
EDM 4X 2X 24B A AT	2	26 7/16	15 3/4	13 7/8	10 1 1/16	10 1 1/16	-	5/8	57.2			
EDM 4X 2X 24F A AT	2	26 7/16	19 3/8	17 1/2	10 1 1/16	10 1 1/16	-	5/8	60.1			
EDM 4X 2X 30B A AT	2 1/2	26 7/16	15 3/4	13 7/8	19 3/4	-	19 3/4	3/4	58.0			
EDM 4X 2X 30F A AT	2 1/2	26 7/16	19 3/8	17 1/2	10 1 1/16	10 1 1/16	-	3/4	62.0			
EDM 4X 2X 36B A AT	3	30 5/16	15 3/4	13 7/8	19 3/4	-	19 3/4	3/4	66.7			
EDM 4X 2X 36F A AT	3	30 5/16	19 3/8	17 1/2	19 3/4	-	19 3/4	3/4	70.2			
EDM 4X 2X 36J A AT	3	30 5/16	23	21 1/8	19 3/4	-	19 3/4	3/4	74.3			
EDM 4X 2X 42J A AT	3 1/2	30 5/16	23	21 1/8	19 3/4	-	19 3/4	7/8	75.9			
EDM 4X 2X 42L A AT	3 1/2	30 5/16	24 5/8	22 3/4	19 3/4	-	19 3/4	7/8	78.3			
EDM 4X 2X 48F A AT	4	35 9/16	19 3/8	17 1/2	19 3/4	-	19 3/4	7/8	88.2			
EDM 4X 2X 48J A AT	4	30 5/16	23	21 1/8	19 3/4	-	19 3/4	7/8	82.1			
EDM 4X 2X 48L A AT	4	30 5/16	24 5/8	22 3/4	19 3/4	-	19 3/4	7/8	83.2			
EDM 4X 2X 60J A AT	5	35 9/16	23	21 1/8	19 3/4	-	19 3/4	7/8	94.9			
EDM 4X 2X 60L A AT	5	35 9/16	24 5/8	22 3/4	19 3/4	-	19 3/4	7/8	99.5			

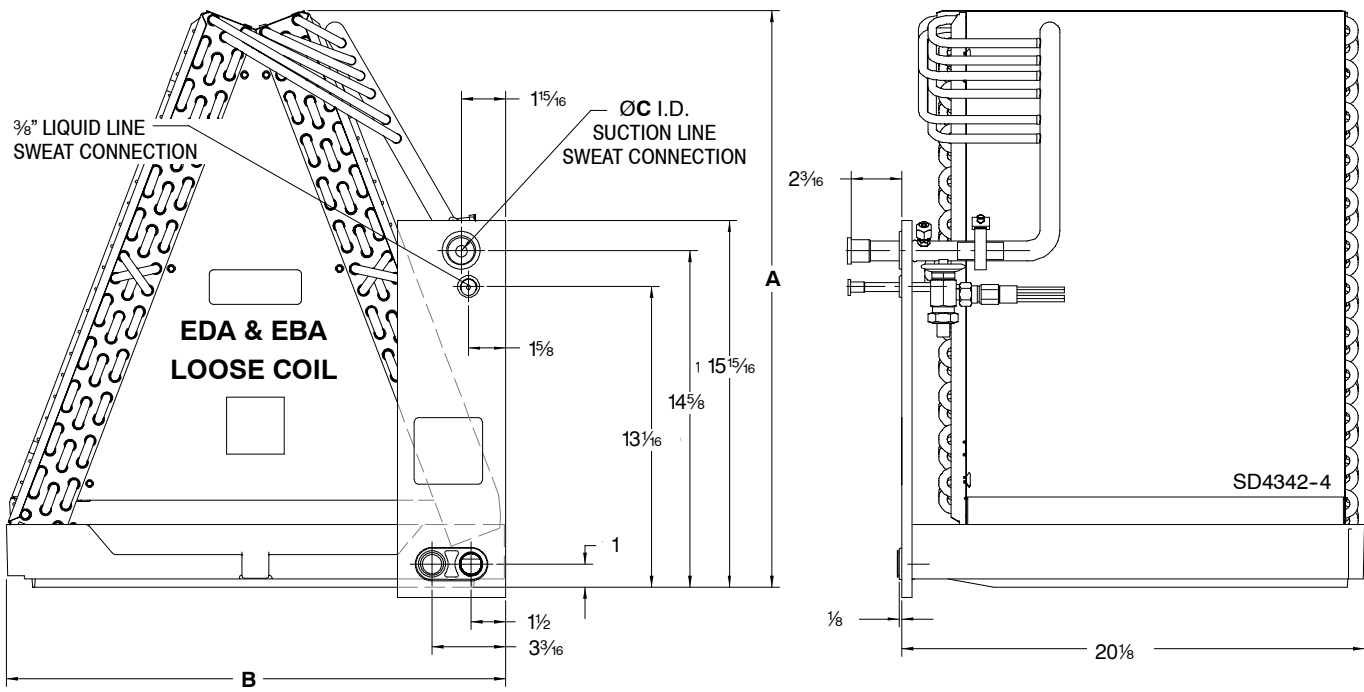


DIMENSIONAL DATA - EDD, EBD (refer to drawing at top of chart)										
Model	Size (tons)	All Dimensions Inches								Shipping Weight (lbs)
		A	B	C	D	E	F	G		
EDD 2X 18B A	1 1/2	18 7/8	15 3/4	13 7/8	10 1 1/16	10 1 1/16	-	5/8	38.7	
EDD 4X 18B AT										
EBD 2X 18B A										
EDD 2X 24B A	2	20 5/8	15 3/4	13 7/8	10 1 1/16	10 1 1/16	-	5/8	41.5	
EDD 4X 24B AT										
EBD 2X 24B A										
EDD 2X 24F A	2	20 5/8	19 3/8	17 1/2	10 1 1/16	10 1 1/16	-	5/8	46.4	
EDD 4X 24F AT										
EBD 2X 24F A										
EDD 2X 30B A	2 1/2	24 1/4	15 3/4	13 7/8	19 3/4	-	19 3/4	3/4	59.6	
EDD 4X 30B AT										
EBD 2X 30B A										
EDD 2X 30F A	2 1/2	24 1/4	19 3/8	17 1/2	19 3/4	-	19 3/4	3/4	53.4	
EDD 4X 30F AT										
EBD 2X 30F A										
EDD 2X 36B A	3	26 7/16	15 3/4	13 7/8	10 1 1/16	-	19 3/4	3/4	55.0	
EDD 4X 36B AT										
EBD 2X 36B A										
EDD 2X 36F A	3	26 7/16	19 3/8	17 1/2	10 1 1/16	-	19 3/4	3/4	57.9	
EDD 4X 36F AT										
EBD 2X 36F A										
EDD 2X 36J A	3	26 7/16	23	21 1/8	19 3/4	-	19 3/4	3/4	62.0	
EDD 4X 36J AT										
EBD 2X 36J A										
EDD 2X 42J A	3 1/2	28 1/8	23	21 1/8	19 3/4	-	19 3/4	7/8	64.9	
EDD 4X 42J AT										
EBD 2X 42J A										
EDD 2X 42L A	3 1/2	28 1/8	24 5/8	22 3/4	19 3/4	-	19 3/4	7/8	67.7	
EDD 4X 42L AT										
EBD 2X 42L A										
EDD 2X 48F A	4	33 7/8	19 3/8	17 1/2	19 3/4	-	19 3/4	7/8	78.1	
EDD 4X 48F AT										
EBD 2X 48F A										

(continued on next page)

**DIMENSIONAL DATA (continued) - EDD, EBD (refer to drawing at top of chart)**

Model	Size (tons)	All Dimensions Inches									Shipping Weight (lbs)
		A	B	C	D	E	F	G			
EDD 2X 48J A 4X 48J AT	4	28 <sup>7</sup> / <sub>8</sub>	23	21 <sup>1</sup> / <sub>8</sub>	19 <sup>3</sup> / <sub>4</sub>	-	19 <sup>3</sup> / <sub>4</sub>	7/8	71.7		
EBD 2X 48J A											
EDD 2X 48L A 4X 48L AT	4	28 <sup>7</sup> / <sub>8</sub>	24 <sup>5</sup> / <sub>8</sub>	22 <sup>3</sup> / <sub>4</sub>	19 <sup>3</sup> / <sub>4</sub>	-	19 <sup>3</sup> / <sub>4</sub>	7/8	73.7		
EBD 2X 48L A											
EDD 2X 60J A 4X 60J AT	5	33 <sup>7</sup> / <sub>8</sub>	23	21 <sup>1</sup> / <sub>8</sub>	19 <sup>3</sup> / <sub>4</sub>	-	19 <sup>3</sup> / <sub>4</sub>	7/8	84.8		
EBD 2X 60J A											
EDD 2X 60L A 4X 60L AT	5	33 <sup>7</sup> / <sub>8</sub>	24 <sup>5</sup> / <sub>8</sub>	22 <sup>3</sup> / <sub>4</sub>	19 <sup>3</sup> / <sub>4</sub>	-	19 <sup>3</sup> / <sub>4</sub>	7/8	87.2		
EBD 2X 60L A											



**DIMENSIONAL DATA - EDA, EBA (refer to drawing at top of chart)**

Model	Size (tons)	All Dimensions Inches			Shipping Weight (lbs)
		A	B	C	
EDA 4X 18B A 2X 18B AT	1 <sup>1</sup> / <sub>2</sub>	13 <sup>3</sup> / <sub>8</sub>	14 <sup>7</sup> / <sub>16</sub>	5/8	24.8
EBA 2X 18B A					
EDA 4X 24B A 2X 24B AT	2	17 <sup>9</sup> / <sub>16</sub>	14 <sup>7</sup> / <sub>16</sub>	5/8	27.6
EBA 2X 24B A					
EDA 4X 24F A 2X 24F AT	2	16 <sup>15</sup> / <sub>16</sub>	18 <sup>1</sup> / <sub>16</sub>	5/8	30.3
EBA 2X 24F A					
EDA 4X 30B A 2X 30B AT	2 <sup>1</sup> / <sub>2</sub>	21 <sup>3</sup> / <sub>4</sub>	14 <sup>7</sup> / <sub>16</sub>	3/4	32.0
EBA 2X 30B A					

(continued on next page)

DIMENSIONAL DATA (continued) - EDA, EBA (refer to drawing at top of chart)								
Model		Size (tons)	All Dimensions Inches			Shipping Weight (lbs)		
			A	B	C			
EDA	4X 2X	30F	A AT	2½	21 <sup>3</sup> / <sub>16</sub>	18 <sup>1</sup> / <sub>16</sub>	3/4	34.2
EBA	2X	30F	A					
EDA	4X 2X	36B	A AT	3	23 <sup>3</sup> / <sub>4</sub>	14 <sup>7</sup> / <sub>16</sub>	3/4	33.8
EBA	2X	36B	A					
EDA	4X 2X	36F	A AT	3	23 <sup>1</sup> / <sub>4</sub>	18 <sup>1</sup> / <sub>16</sub>	3/4	36.5
EBA	2X	36F	A					
EDA	4X 2X	36J	A AT	3	22 <sup>5</sup> / <sub>8</sub>	21 <sup>1</sup> / <sub>16</sub>	3/4	38.6
EBA	2X	36J	A					
EDA	4X 2X	42J	A AT	3½	24 <sup>3</sup> / <sub>4</sub>	21 <sup>1</sup> / <sub>16</sub>	7/8	40.4
EBA	2X	42J	A					
EDA	4X 2X	42L	A AT	3½	24 <sup>1</sup> / <sub>2</sub>	23 <sup>5</sup> / <sub>16</sub>	7/8	41.5
EBA	2X	42L	A					
EDA	4X 2X	48F	A AT	4	29 <sup>1</sup> / <sub>16</sub>	18 <sup>1</sup> / <sub>16</sub>	7/8	50.8
EBA	2X	48F	A					
EDA	4X 2X	48J	A AT	4	25 <sup>1</sup> / <sub>16</sub>	21 <sup>1</sup> / <sub>16</sub>	7/8	47.9
EBA	2X	48J	A					
EDA	4X 2X	48L	A AT	4	24 <sup>13</sup> / <sub>16</sub>	23 <sup>5</sup> / <sub>16</sub>	7/8	49.0
EBA	2X	48L	A					
EDA	2X 4X	60J	A AT	5	31 <sup>5</sup> / <sub>16</sub>	21 <sup>1</sup> / <sub>16</sub>	7/8	56.1
EBA	2X	60J	A					
EDA	2X 4X	60L	A AT	5	31 <sup>1</sup> / <sub>16</sub>	23 <sup>5</sup> / <sub>16</sub>	7/8	57.2
EBA	2X	60L	A					

PHYSICAL DATA								
	Model Size							
	18	24	30	36	42	48F	48J, 48L	60
<b>TXV factory installed, hard shut-off, bi-flow type for heat pump application, non-adjustable superheat</b>								
R-22 TXV Size	3 ton				5 ton			6 ton
R-410A TXV Size	2 ton		3 ton	4 ton	5 ton			
TXV Connections	TXV-to-coil = Bolt-on 3/4-20 UNF straight thread (factory assembled)							
	field line set to TXV = 3/8" sweat (female)							
	equalizer-to-coil = Bolt-on 1/4" flare (factory assembled)							
<b>Nominal Acceptable CFM Range (minimum 350 CFM/ton, maximum 450 CFM/ton)</b>								
CFM - min	525	700	875	1050	1225	1400	1750	
CFM - max	625	900	1125	1350	1600	1800	2200	
<b>Coil Data (all coils 2 slab "A" configuration, lanced sine wave bare aluminum fin)</b>								
Face Area (ft <sup>2</sup> )	2.75	3.67	4.58	5.04	5.50	6.42	5.50	6.88
Each Slab H x W (in)	12 x 16½	16 x 16½	20 x 16½	22 x 16½	24 x 16½	28 x 16½	24 x 16½	30 x 16½
Fins Per Inch	17	17	16	15	15	12		13
<b>Refrigerant Line Connections (sweat)</b>								
Liquid (inch)	3/8	3/8	3/8	3/8	3/8	3/8		3/8
Suction (inch)	5/8	3/4	3/4	3/4	7/8	7/8		7/8

ACCESSORIES			
Description	Part Number	Use with models	
		EDA, EBA	EDM, EDD, EBD
Fossil Fuel Kit	AXWR01DFB	ALL	ALL
Sub-Base (use when cased coil is mounted beneath a downflow gas or oil furnace on a combustible floor)	NAHH004SB	-	B models (15¾" wide)
	NAHH005SB	-	F models (19¾" wide)
	NAHH006SB	-	J models (23" wide)
	NAHH009SB	-	L models (24⅝" wide)
Coil Adapter for Downflow Furnaces (when used with multiposition furnace in downflow applicatino)	NAHA001CA	-	ALL
PVC Condensate Trap Kit (box of 50)	EBAC01CTK	ALL	ALL

Static Pressure Drop Across Coil at a Given CFM										
Coil Size	CFM Across Coil	Static Pressure Drop Across Coil (Inches Water Column)		Coil Size	CFM Across Coil	Static Pressure Drop Across Coil (Inches Water Column)				
		Dry	Wet			Dry	Wet			
18B 1½ tons	500	0.096	0.106	42J 3½ tons	1200	0.129	0.137			
	600	0.127	0.140		1300	0.148	0.159			
	700	0.161	0.183		1400	0.168	0.180			
24B 2 tons	700	0.134	0.141		1500	0.189	0.203			
	800	0.166	0.176		1600	0.211	0.228			
	900	0.200	0.215		42L 3½ tons	1200	0.114	0.142		
24F 2 tons	700	0.110	0.118	1300		0.130	0.161			
	800	0.134	0.146	1400		0.146	0.182			
	900	0.160	0.176	1500		0.164	0.202			
30B 2½ tons	800	0.137	0.143	48F 4 tons		1600	0.182	0.222		
	900	0.169	0.174			1400	0.250	0.263		
	1000	0.204	0.211		1500	0.284	0.297			
	1100	0.241	0.251		1600	0.320	0.336			
30F 2½ tons	800	0.101	0.106		48J 4 tons	1700	0.358	0.376		
	900	0.121	0.129			1800	0.398	0.418		
	1000	0.143	0.154	48L 4 tons		1400	0.192	0.196		
	1100	0.168	0.181			1500	0.219	0.225		
36B 3 tons	1000	0.188	0.202			1600	0.245	0.253		
	1100	0.224	0.240			1700	0.273	0.283		
	1200	0.262	0.281		1800	0.303	0.314			
	1300	0.303	0.325		60J 5 tons	1400	0.180	0.193		
	1400	0.349	0.374	1500		0.198	0.214			
36F 3 tons	1000	0.133	0.139	1600		0.222	0.241			
	1100	0.154	0.163	1700		0.247	0.270			
	1200	0.177	0.189	1800		0.275	0.296			
	1300	0.203	0.216	1700		0.260	0.285			
	1400	0.227	0.245	1800	0.288	0.315				
36J 3 tons	1000	0.104	0.106	60L 5 tons	1900	0.316	0.346			
	1100	0.121	0.124		2000	0.347	0.381			
	1200	0.139	0.144		2100	0.378	0.413			
	1300	0.159	0.166		2200	0.409	0.447			
	1400	0.181	0.190		1700	0.232	0.263			
						1800	0.256	0.291		
						1900	0.283	0.321		
							2000	0.308	0.354	
								2100	0.335	0.386
									2200	0.363

COIL MODEL NUMBER IDENTIFICATION GUIDE									
	<b>E</b>	<b>D</b>	<b>M</b>	<b>2</b>	<b>X</b>	<b>18</b>	<b>B</b>	<b>A</b>	<b>1</b>
E = Evaporator		TYPE		APPLICATION		REFRIGERANT		METERING DEVICE	
D = Deluxe									
B = Builder (Value Line)		TYPE		APPLICATION		REFRIGERANT		METERING DEVICE	
M = Multiposition (Cased)		TYPE		APPLICATION		REFRIGERANT		METERING DEVICE	
D = Cased (Upflow / Downflow)		TYPE		APPLICATION		REFRIGERANT		METERING DEVICE	
A = Loose		TYPE		APPLICATION		REFRIGERANT		METERING DEVICE	
2 = R-22		TYPE		APPLICATION		REFRIGERANT		METERING DEVICE	
4 = Environmentally Sound R-410A		TYPE		APPLICATION		REFRIGERANT		METERING DEVICE	
X = TXV		TYPE		APPLICATION		REFRIGERANT		METERING DEVICE	
18 = 18,000 BTUH = 1½ tons		TYPE		APPLICATION		REFRIGERANT		METERING DEVICE	
24 = 24,000 BTUH = 2 tons		TYPE		APPLICATION		REFRIGERANT		METERING DEVICE	
30 = 30,000 BTUH = 2½ tons		TYPE		APPLICATION		REFRIGERANT		METERING DEVICE	
36 = 36,000 BTUH = 3 tons		TYPE		APPLICATION		REFRIGERANT		METERING DEVICE	
42 = 42,000 BTUH = 3½ tons		TYPE		APPLICATION		REFRIGERANT		METERING DEVICE	
48 = 48,000 BTUH = 4 tons		TYPE		APPLICATION		REFRIGERANT		METERING DEVICE	
60 = 60,000 BTUH = 5 tons		TYPE		APPLICATION		REFRIGERANT		METERING DEVICE	
B = 15.5"		TYPE		APPLICATION		REFRIGERANT		METERING DEVICE	
F = 19.1"		TYPE		APPLICATION		REFRIGERANT		METERING DEVICE	
J = 22.8"		TYPE		APPLICATION		REFRIGERANT		METERING DEVICE	
L = 24.5"		TYPE		APPLICATION		REFRIGERANT		METERING DEVICE	
A = Standard		TYPE		APPLICATION		REFRIGERANT		METERING DEVICE	
AT = Tin Coated Copper Tubes for Additional Corrosion Protection		TYPE		APPLICATION		REFRIGERANT		METERING DEVICE	
Engineering Revision		TYPE		APPLICATION		REFRIGERANT		METERING DEVICE	