



EFFICIENT 13 SEER AIR CONDITIONER ENVIRONMENTALLY SOUND R-410A REFRIGERANT

1½ THRU 5 TONS SPLIT SYSTEM

208 / 230 Volt, 1-phase, 60 Hz

REFRIGERATION CIRCUIT

- Copeland SCROLL compressors on all models
- Filter-Drier supplied with every unit for field installation
- External high and low refrigerant service ports
- Copper tube / aluminum fin coil
- 5 ton model has 2-row coil for reduced height

PERFORMANCE

- 2-speed Fan Motors factory wired on all models
- Compressor Sound Jacket standard

EASY TO INSTALL AND SERVICE

- Comfort Alert™ Diagnostics device on all models
- Easy Access service valves on all models
- Compressor access panel
- New, innovative control box design
- High and Low pressure switches
- Fan motor in-line disconnect plug
- Only two screws to access control panel
- Factory charged with R-410A refrigerant

BUILT TO LAST

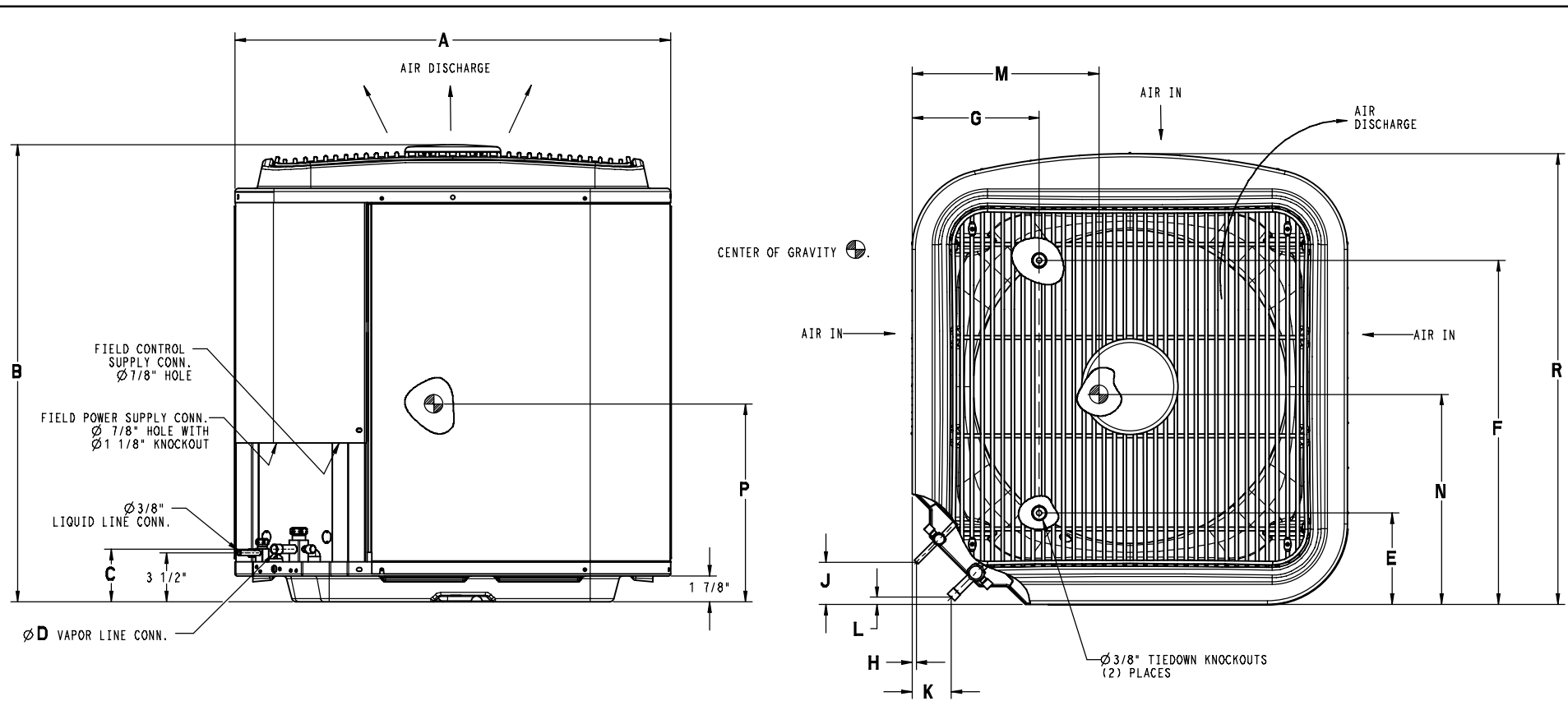
- High gloss, baked-on powder coat finish over galvanized steel
- Post-painted (black) coil fins
- SermaGard® coated cabinet screws
- Coated inlet grille with 3/8" spacing for extra protection
- Corner Posts for extra strength and style
- 5 year No Hassle replacement warranty
- 10 year limited compressor, 5 year limited coil and parts warranties



Rated in accordance with ARI Standard 210. Certification applies only when used with proper components as listed with ARI.



Model Number	Size (tons)	Nominal Btu/hr	Min. Circuit Ampacity	Max. Fuse or Breaker	Operating Dimensions height x width x depth (in)	Ship / Operating Weight (lbs)
C4A318GKA	1½	18,000	11.7	20	29¾ × 31¼ × 32⅝	187 / 160
C4A324GKA	2	24,000	16.5	25	29¾ × 31¼ × 32⅝	189 / 162
C4A330GKA	2½	30,000	18.7	30	36¾ × 31¼ × 32⅝	200 / 172
C4A336GKA	3	36,000	21.9	35	39¼ × 31¼ × 32⅝	215 / 187
C4A342GKA	3½	42,000	25.9	40	43¼ × 35 × 36¾	282 / 248
C4A348GKA	4	48,000	28.6	40	43¼ × 35 × 36¾	285 / 251
C4A360GKA	5	60,000	34.3	50	36¾ × 35 × 36¾	299 / 265



All Dimensions Inches

Model	All Dimensions Inches																Minimum Mounting Pad Size	Crated Dimensions B(h) x A(w) x R(d)
	A	B	C	D	E	F	G	H	J	K	L	M	N	P	R			
C4A318GKA	31 ³ / ₁₆	29 ³ / ₈	3 ³ / ₄	5 ⁵ / ₈	6 ⁹ / ₁₆	24 ¹¹ / ₁₆	9 ¹ / ₈	5 ⁵ / ₁₆	3	2 ¹³ / ₁₆	1 ¹ / ₂	15 ⁷ / ₈	15 ¹ / ₂	14 ⁷ / ₈	32 ⁵ / ₁₆	31 ¹ / ₂ x 32 ¹ / ₂	33 ¹³ / ₁₆ x 32 ³ / ₈ x 33 ⁷ / ₁₆	
C4A324GKA	31 ³ / ₁₆	29 ³ / ₈	3 ³ / ₄	5 ⁵ / ₈	6 ⁹ / ₁₆	24 ¹¹ / ₁₆	9 ¹ / ₈	5 ⁵ / ₁₆	3	2 ¹³ / ₁₆	1 ¹ / ₂	15 ⁷ / ₈	15 ¹ / ₂	14 ⁷ / ₈	32 ⁵ / ₁₆	31 ¹ / ₂ x 32 ¹ / ₂	33 ¹³ / ₁₆ x 32 ³ / ₈ x 33 ⁷ / ₁₆	
C4A330GKA	31 ³ / ₁₆	36 ³ / ₁₆	3 ³ / ₄	3 ³ / ₄	6 ⁹ / ₁₆	24 ¹¹ / ₁₆	9 ¹ / ₈	5 ⁵ / ₁₆	3	2 ¹³ / ₁₆	1 ¹ / ₂	16 ³ / ₄	14 ³ / ₄	16 ³ / ₄	32 ⁵ / ₁₆	31 ¹ / ₂ x 32 ¹ / ₂	40 ⁵ / ₈ x 32 ³ / ₈ x 33 ⁷ / ₁₆	
C4A336GKA	31 ³ / ₁₆	39 ⁹ / ₁₆	3 ³ / ₄	3 ³ / ₄	6 ⁹ / ₁₆	24 ¹¹ / ₁₆	9 ¹ / ₈	5 ⁵ / ₁₆	3	2 ¹³ / ₁₆	1 ¹ / ₂	19 ³ / ₄	18	20 ¹ / ₄	32 ⁵ / ₁₆	31 ¹ / ₂ x 32 ¹ / ₂	44 ¹ / ₁₆ x 32 ³ / ₈ x 33 ⁷ / ₁₆	
C4A342GKA	35	43 ¹¹ / ₁₆	3 ⁷ / ₈	7 ⁷ / ₈	6 ⁹ / ₁₆	24 ¹¹ / ₁₆	9 ¹ / ₈	5 ⁵ / ₁₆	3	2 ¹⁵ / ₁₆	5 ⁵ / ₈	19 ³ / ₄	18	20 ¹ / ₄	36 ⁹ / ₁₆	35 x 36 ¹ / ₂	47 ⁷ / ₁₆ x 36 ¹ / ₈ x 37 ³ / ₄	
C4A348GKA	35	43 ¹¹ / ₁₆	3 ⁷ / ₈	7 ⁷ / ₈	6 ⁹ / ₁₆	24 ¹¹ / ₁₆	9 ¹ / ₈	5 ⁵ / ₁₆	3	2 ¹⁵ / ₁₆	5 ⁵ / ₈	19 ³ / ₄	18	20 ¹ / ₄	36 ⁹ / ₁₆	35 x 36 ¹ / ₂	47 ⁷ / ₁₆ x 36 ¹ / ₈ x 37 ³ / ₄	
C4A360GKA	35	36 ⁷ / ₈	3 ⁷ / ₈	7 ⁷ / ₈	6 ⁹ / ₁₆	24 ¹¹ / ₁₆	9 ¹ / ₈	5 ⁵ / ₁₆	3	2 ¹⁵ / ₁₆	5 ⁵ / ₈	19	18	15 ¹ / ₄	36 ⁹ / ₁₆	35 x 36 ¹ / ₂	40 ⁵ / ₈ x 36 ¹ / ₈ x 37 ³ / ₄	

PHYSICAL DATA							
Model Size	18	24	30	36	42	48	60
Nominal Cooling Capacity (BTU/hr)	18,000	24,000	30,000	36,000	42,000	48,000	60,000
Nominal SEER	13.0	13.0	13.0	13.0	13.0	13.0	13.0
Sound Rating, High Speed Fan (dBA)	73	73	75	75	76	76	76
Low Speed Fan (dBA)	72	70	70	72	74	74	75
PSC Fan Motor HP	1/12	1/12	1/5	1/5	1/5	1/4	1/4
Fan RPM High	825	825	825	825	825	825	825
Fan RPM Low	750	750	750	750	750	750	750
Fan CFM (High)	2140	2140	2800	2800	3270	3670	3670
Coil Face Area (ft ²)	11.26	11.26	14.47	16.08	22.36	22.36	18.30
Coil Rows – fins per inch	1–20	1–25	1–25	1–25	1–25	1–25	2–20
Liquid Line Connection Size (in.)	3/8	3/8	3/8	3/8	3/8	3/8	3/8
Vapor Line Connection Size (in.)	5/8	5/8	3/4	3/4	7/8	7/8	7/8
Recommended Line Set Liquid Tube Diameter (in.)	3/8	3/8	3/8	3/8	3/8	3/8	3/8
Recommended Line Set Vapor Tube Diameter (in.) *	5/8 *	5/8 *	3/4 *	3/4 *	7/8 *	7/8 *	1 1/8 *
* Recommended Vapor Tube Line size is for standard installations. These recommendations may not apply to “Long Line” installations. When the total equivalent line length exceeds 80 feet or there is more than 20 feet vertical separation between indoor and outdoor units, consult the Long Line Application Guideline document before purchasing/installing line sets.							
Factory Charge R–410A (lbs.)	3.90	4.25	5.75	5.85	7.13	8.40	9.35
Required Subcooling (°F)	10	13	17	12	12	13	12
Weight, shipping (lbs.)	187	189	200	215	282	285	299
Weight, operating (lbs.)	160	162	172	187	248	251	265

ELECTRICAL DATA (208/230–1–60, voltage range 197V – 253V)							
Model Size	18	24	30	36	42	48	60
Minimum Circuit Ampacity – MCA (amps)	11.7	16.5	18.7	21.9	25.9	28.6	34.3
Maximum OverCurrent Protective device – MOCP (amps)	20	25	30	35	40	40	50
Compressor RLA (Rated Load Amps)	9.0	12.8	14.1	16.7	19.9	21.8	26.3
LRA (Locked Rotor Amps)	48	58.3	73	79	109	117	134
Fan Motor FLA (Full Load Amps)	0.5	0.5	1.1	1.1	1.1	1.4	1.4

R-410A COOLING CAPACITY LOSS FOR VARIOUS LINE LENGTHS & TUBE DIAMETERS

Model Size	Liquid Line (in.)	Acceptable Vapor Line Sizes (in.)	Cooling Capacity Loss (%) at Total Equivalent Line Length (ft.) Refer to Long Line Application Guideline to calculate equivalent length										
			Standard Application			Long Line Application (Requires Accessories)							
			25'	50'	80'	81'	100'	125'	150'	175'	200'	225'	250'
18	3/8	5/8	0	1	1	1	2	2	2	3	3	3	4
		5/8	1	1	2	2	3	3	4	4	5	6	6
24		3/4	0	1	1	1	1	1	1	2	2	2	2
		7/8	0	0	0	0	1	1	1	1	1	1	1
30		5/8	1	2	3	3	4	5	6	7	8	9	9
		3/4	0	1	1	1	1	2	2	3	3	3	4
		7/8	0	0	1	1	1	1	1	1	1	2	2
36		5/8	1	3	4	4	5	7	8	9	11	12	13
		3/4	1	1	2	2	2	3	3	3	4	4	5
		7/8	0	1	1	1	1	1	2	2	2	2	3
42		3/4	1	1	2	2	3	3	4	5	5	6	7
		7/8	0	1	1	1	1	2	2	2	3	3	3
		1 1/8	0	0	0	0	0	1	1	1	1	1	1
48		3/4	1	2	3	3	3	4	5	6	7	8	8
		7/8	0	1	1	1	2	2	3	3	3	4	4
		1 1/8	0	0	0	0	1	1	1	1	1	1	1
60		3/4	1	3	4	4	5	6	8	9	10	11	13
		7/8	1	1	2	2	3	3	4	4	5	6	6
		1 1/8	0	0	1	1	1	1	1	1	1	2	2

* Applications are considered “Long Line” if the total equivalent tubing length exceeds 80 feet or there is more than 20 foot vertical separation between indoor and outdoor units). These applications require additional accessories and system modifications for reliable system operation. Refer to the Long Line Application Guideline document for required piping and system modifications. Refer to Accessory Usage Guidelines below for required accessories.

Applications in this shaded area may have height restrictions that limit allowable total equivalent length when outdoor unit is below indoor unit. Refer to the Long Line Application Guideline document for instructions.

The maximum allowable total equivalent length is 250 feet.

ACCESSORY USAGE GUIDELINES

Accessory	REQUIRED FOR LOW-AMBIENT APPLICATIONS (Below 55° F)	REQUIRED FOR LONG LINE APPLICATIONS* (Over 80 Ft.)
Crankcase Heater	Yes	Yes
Evaporator Freeze Thermostat	Yes	No
Winter Start Control	Yes	No
Hard Start Kit (Capacitor & Relay)	Yes	Yes
Low Ambient Kit (Pressure Switch)	Yes	No
Support Feet, 4” tall	Recommended	No
Liquid Line Solenoid Valve	No	See Long-Line Application Guideline

* For Line Set lengths between 80 and 200 ft horizontal, or more than 20 ft indoor-outdoor vertical separation, refer to the Long Line Application Guideline document.

ACCESSORIES		
Part Number	Description	Used On Model Size
NASA001CH	Crankcase Heater for Scroll Compressor (208/230 V)	42, 48, 60
NASA003CH	Crankcase Heater for Scroll Compressor (208/230 V Star Body)	18, 24, 30, 36
NASA001SC	Start Component – PTC Device	ALL
NASA001FS	Evaporator Freeze Thermostat	ALL
NASA401LS	Liquid Line Solenoid Valve, R-410A	ALL
NASA001TD	Time Delay Relay, Indoor Blower	ALL
NASA001WS	Winter Start Control	ALL
NASA001AC	Anti-Cycle Timer (5 minute delay)	ALL
NASA005SC	Hard Start Kit (Capacitor & Relay)	ALL
NASA401LA	Low Ambient Kit (Pressure Switch), R-410A	ALL
NASA001SF	Support Feet, 4" tall	ALL
EBAC05TXVX	TXV Kit, R-410A *	18, 24, 30
EBAC06TXVX	TXV Kit, R-410A *	36, 42
EBAC07TXVX	TXV Kit, R-410A *	48
EBAC08TXVX	TXV Kit, R-410A *	60

* ONLY converts Fan Coils equipped with factory installed R-22 TXV.

COOLING PERFORMANCE FOR COMBINATION RATINGS
Current Indoor Models

Outdoor Model	Current Indoor Model (‡ tested combo)	Furnace Model	Factory Installed	Cooling (95 °F)			SEER			
				BTU/hr	S/T	EER	factory	w/ field TDR	w/ field R-410A TXV	w/ field R-410A TXV+TDR
C4A318GKA	‡ ED*4X18B**		TXV	17,400	0.77	11.00		13.00		
	ED*4X18B**	MV08B15****	TDR & TXV	18,000	0.77	11.70	14.00			
	ED*4X24B**		TXV	17,700	0.77	11.00		13.00		
	ED*4X24B**	MV08B15****	TDR & TXV	18,400	0.77	12.00	14.00			
	ED*4X24F**		TXV	17,700	0.77	11.00		13.00		
	ED*4X24F**	MV12F19****	TDR & TXV	18,000	0.77	12.00	14.00			
	EHD4X24A**		TXV	17,700	0.77	11.00		13.00		
	EHD4X24A**	*9MPV050	TDR & TXV	18,400	0.77	11.50	14.00			
	EHD4X24A**	*9MPV075	TDR & TXV	18,400	0.77	11.20	13.50			
	EHD4X24A**	MV08B15****	TDR & TXV	18,400	0.77	12.00	14.00			
	EHD4X24A**	MV12F19****	TDR & TXV	18,000	0.77	12.00	14.00			
	EMA4X24D**		TXV	17,500	0.77	11.00		13.00		
	FEM4X18****		TDR & TXV	17,800	0.77	11.50	14.00			
	FEM4X24****		TDR & TXV	18,000	0.77	11.70	14.00			
FS(M,U)4X18****		TDR & TXV	17,300	0.77	11.00	13.00				
FS(M,U)4X24****		TDR & TXV	17,600	0.77	11.00	13.00				
C4A324GKA	‡ ED*4X24B**		TXV	24,000	0.76	11.00		13.00		
	ED*4X24B**	*8MPV050	TDR & TXV	24,400	0.76	11.50	14.00			
	ED*4X24B**	MV08B15****	TDR & TXV	24,600	0.76	11.70	14.00			
	ED*4X24F**		TXV	24,000	0.76	11.00		13.00		
	ED*4X24F**	*8MPV075	TDR & TXV	24,800	0.76	11.50	14.00			
	ED*4X24F**	*9MPV050	TDR & TXV	24,200	0.76	11.50	14.00			
	ED*4X24F**	*9MPV075	TDR & TXV	24,400	0.76	11.50	14.00			
	ED*4X24F**	MV12F19****	TDR & TXV	24,400	0.76	11.70	14.00			
	ED*4X30B**		TXV	24,200	0.76	11.00		13.00		
	ED*4X30B**	*8MPV050	TDR & TXV	24,600	0.76	11.50	14.00			
	ED*4X30B**	MV08B15****	TDR & TXV	24,800	0.76	11.70	14.00			
	ED*4X30F**		TXV	24,200	0.76	11.00		13.00		
	ED*4X30F**	*9MPV050	TDR & TXV	24,600	0.76	11.50	14.00			
	ED*4X30F**	*9MPV075	TDR & TXV	24,800	0.76	11.50	14.00			
	ED*4X30F**	MV12F19****	TDR & TXV	24,800	0.76	12.00	14.00			
	EHD4X24A**		TXV	23,800	0.76	11.00		13.00		
	EHD4X24A**	*8MPV050	TDR & TXV	24,200	0.76	11.20	13.50			
	EHD4X24A**	*8MPV075	TDR & TXV	24,400	0.76	11.50	14.00			
	EHD4X24A**	*8MPV100	TDR & TXV	24,800	0.76	11.50	14.00			
	EHD4X24A**	*8MPV125	TDR & TXV	24,800	0.76	11.70	14.00			
	EHD4X24A**	*9MPV050	TDR & TXV	24,200	0.76	11.50	14.00			
	EHD4X24A**	*9MPV075	TDR & TXV	24,400	0.76	11.20	13.50			
	EHD4X24A**	*9MPV100	TDR & TXV	24,200	0.76	11.50	14.00			
	EHD4X24A**	*9MPV125	TDR & TXV	24,600	0.76	11.50	14.00			
	EHD4X24A**	MV08B15****	TDR & TXV	24,200	0.76	11.70	14.00			
	EHD4X24A**	MV12F19****	TDR & TXV	24,400	0.76	11.70	14.00			
	EHD4X24A**	MV16J22****	TDR & TXV	24,400	0.76	11.70	14.00			
	EHD4X24A**	MV20N26****	TDR & TXV	24,600	0.76	11.70	14.00			
	EHD4X30A**		TXV	24,200	0.76	11.00		13.00		
	EHD4X30A**	*8MPV050	TDR & TXV	24,600	0.76	11.50	14.00			
	EHD4X30A**	*8MPV075	TDR & TXV	25,200	0.76	11.50	14.00			
	EHD4X30A**	*8MPV100	TDR & TXV	25,200	0.76	11.70	14.00			
	EHD4X30A**	*8MPV125	TDR & TXV	25,200	0.76	11.70	14.00			
	EHD4X30A**	*9MPV050	TDR & TXV	24,600	0.76	11.50	14.00			
	EHD4X30A**	*9MPV075	TDR & TXV	24,800	0.76	11.50	14.00			
	EHD4X30A**	*9MPV100	TDR & TXV	24,800	0.76	11.70	14.00			
	EHD4X30A**	MV08B15****	TDR & TXV	24,800	0.76	11.70	14.00			
	EHD4X30A**	MV12F19****	TDR & TXV	24,800	0.76	11.70	14.00			
	EHD4X30A**	MV16J22****	TDR & TXV	25,000	0.76	12.00	14.00			
	EHD4X30A**	MV20N26****	TDR & TXV	24,800	0.76	12.00	14.00			
	EMA4X24D**		TXV	23,800	0.76	11.00		13.00		
	FEM4X24****		TDR & TXV	24,400	0.76	11.50	14.00			
	FEM4X30****		TDR & TXV	24,600	0.76	11.70	14.00			
	FS(M,U)4X24****		TDR & TXV	23,800	0.76	11.00	13.00			
FS(M,U)4X30****		TDR & TXV	24,400	0.76	11.00	13.20				
C4A330GKA	‡ ED*4X30B**		TXV	29,000	0.77	11.00		13.00		
	ED*4X30B**	*8MPV050	TDR & TXV	29,200	0.77	11.20	13.50			
	ED*4X30B**	MV08B15****	TDR & TXV	29,400	0.77	11.50	14.00			
	ED*4X30F**		TXV	29,000	0.77	11.00		13.00		

- continued on next page -

COOLING PERFORMANCE FOR COMBINATION RATINGS (continued)										
Current Indoor Models										
Outdoor Model	Current Indoor Model (‡ tested combo)	Furnace Model	Factory Installed	Cooling (95 °F)			SEER			
				BTU/hr	S/T	EER	factory	w/ field TDR	w/ field R-410A TXV	w/ field R-410A TXV+TDR
C4A330GKA (continued)	ED*4X30F**	*8MPV075	TDR & TXV	29,400	0.77	11.50	14.00			
	ED*4X30F**	*9MPV050	TDR & TXV	29,000	0.77	11.20	13.50			
	ED*4X30F**	*9MPV075	TDR & TXV	29,200	0.77	11.20	13.50			
	ED*4X30F**	MV12F19****	TDR & TXV	29,800	0.77	11.50	14.00			
	ED*4X36B**		TXV	29,000	0.77	11.00		13.00		
	ED*4X36B**	*8MPV050	TDR & TXV	29,400	0.77	11.20	13.50			
	ED*4X36B**	MV08B15****	TDR & TXV	29,400	0.77	11.50	14.00			
	ED*4X36F**		TXV	29,000	0.77	11.00		13.00		
	ED*4X36F**	*8MPV075	TDR & TXV	29,400	0.77	11.50	14.00			
	ED*4X36F**	*9MPV050	TDR & TXV	29,200	0.77	11.20	13.50			
	ED*4X36F**	*9MPV075	TDR & TXV	29,200	0.77	11.20	13.50			
	ED*4X36F**	MV12F19****	TDR & TXV	29,800	0.77	11.70	14.00			
	ED*4X36J**		TXV	29,000	0.77	11.00		13.00		
	ED*4X36J**	*8MPV100	TDR & TXV	29,600	0.77	11.70	14.00			
	ED*4X36J**	*8MPV125	TDR & TXV	29,600	0.77	11.70	14.00			
	ED*4X36J**	*9MPV100	TDR & TXV	29,600	0.77	11.50	14.00			
	ED*4X36J**	MV16J22****	TDR & TXV	29,600	0.77	11.70	14.00			
	EHD4X30A**		TXV	28,800	0.77	11.00		13.00		
	EHD4X30A**	*8MPV050	TDR & TXV	29,200	0.77	11.20	13.50			
	EHD4X30A**	*8MPV075	TDR & TXV	29,200	0.77	11.50	14.00			
	EHD4X30A**	*8MPV100	TDR & TXV	29,600	0.77	11.50	14.00			
	EHD4X30A**	*8MPV125	TDR & TXV	29,600	0.77	11.50	14.00			
	EHD4X30A**	*9MPV050	TDR & TXV	28,800	0.77	11.00	13.20			
	EHD4X30A**	*9MPV075	TDR & TXV	29,000	0.77	11.20	13.50			
	EHD4X30A**	*9MPV100	TDR & TXV	28,800	0.77	11.50	14.00			
	EHD4X30A**	*9MPV125	TDR & TXV	29,200	0.77	11.50	14.00			
	EHD4X30A**	MV08B15****	TDR & TXV	29,600	0.77	11.50	14.00			
	EHD4X30A**	MV12F19****	TDR & TXV	29,800	0.77	11.50	14.00			
	EHD4X30A**	MV16J22****	TDR & TXV	29,600	0.77	11.70	14.00			
	EHD4X30A**	MV20N26****	TDR & TXV	29,600	0.77	11.70	14.00			
	EHD4X36A**		TXV	29,000	0.77	11.00		13.00		
	EHD4X36A**	*8MPV050	TDR & TXV	29,400	0.77	11.50	14.00			
	EHD4X36A**	*8MPV075	TDR & TXV	29,400	0.77	11.50	14.00			
	EHD4X36A**	*8MPV100	TDR & TXV	29,400	0.77	11.70	14.00			
	EHD4X36A**	*8MPV125	TDR & TXV	29,200	0.77	11.70	14.00			
	EHD4X36A**	*9MPV050	TDR & TXV	29,200	0.77	11.20	13.50			
	EHD4X36A**	*9MPV075	TDR & TXV	29,200	0.77	11.50	14.00			
	EHD4X36A**	*9MPV100	TDR & TXV	29,600	0.77	11.50	14.00			
	EHD4X36A**	*9MPV125	TDR & TXV	29,600	0.77	11.70	14.00			
	EHD4X36A**	MV08B15****	TDR & TXV	29,400	0.77	11.70	14.00			
EHD4X36A**	MV12F19****	TDR & TXV	29,800	0.77	11.70	14.00				
EHD4X36A**	MV16J22****	TDR & TXV	29,600	0.77	11.70	14.00				
EHD4X36A**	MV20N26****	TDR & TXV	29,600	0.77	11.70	14.00				
EMA4X36D**		TXV	28,800	0.77	11.00		13.00			
FEM4X30****		TDR & TXV	29,200	0.77	11.50	14.00				
FEM4X36****		TDR & TXV	30,000	0.77	11.50	14.00				
FS(M,U)4X30****		TDR & TXV	28,800	0.77	11.00	13.00				
FSU4X36****		TDR & TXV	29,000	0.77	11.00	13.00				
C4A336GKA	ED*4X36B**		TXV	34,800	0.77	11.00		13.00		
	ED*4X36B**	MV08B15****	TDR & TXV	34,800	0.77	11.20	13.50			
	‡ ED*4X36F**		TXV	35,000	0.77	11.00		13.00		
	ED*4X36F**	*8MPV075	TDR & TXV	34,800	0.77	11.20	13.50			
	ED*4X36F**	*9MPV050	TDR & TXV	34,400	0.77	11.00	13.20			
	ED*4X36F**	*9MPV075	TDR & TXV	34,600	0.77	11.00	13.20			
	ED*4X36F**	MV12F19****	TDR & TXV	35,000	0.77	11.50	14.00			
	ED*4X36J**		TXV	35,000	0.77	11.00		13.00		
	ED*4X36J**	*8MPV100	TDR & TXV	35,200	0.77	11.50	14.00			
	ED*4X36J**	*8MPV125	TDR & TXV	35,200	0.77	11.50	14.00			
	ED*4X36J**	*9MPV100	TDR & TXV	35,200	0.77	11.20	13.50			
	ED*4X36J**	MV16J22****	TDR & TXV	35,000	0.77	11.70	14.00			
	ED*4X42J**		TXV	35,200	0.77	11.00		13.00		
	ED*4X42J**	*8MPV100	TDR & TXV	35,400	0.77	11.50	14.00			
	ED*4X42J**	*8MPV125	TDR & TXV	35,400	0.77	11.50	14.00			
	ED*4X42J**	*9MPV100	TDR & TXV	35,400	0.77	11.20	13.50			
	ED*4X42J**	MV16J22****	TDR & TXV	35,200	0.77	11.50	14.00			
ED*4X42L**		TXV	35,200	0.77	11.00		13.00			

- continued on next page -

COOLING PERFORMANCE FOR COMBINATION RATINGS (continued)										
Current Indoor Models										
Outdoor Model	Current Indoor Model (‡ tested combo)	Furnace Model	Factory Installed	Cooling (95 °F)			SEER			
				BTU/hr	S/T	EER	factory	w/ field TDR	w/ field R-410A TXV	w/ field R-410A TXV+TDR
C4A336GKA (continued)	ED*4X42L**	*9MPV125	TDR & TXV	35,000	0.77	11.50	14.00			
	EHD4X36A**		TXV	35,000	0.77	11.00		13.00		
	EHD4X36A**	*8MPV050	TDR & TXV	34,800	0.77	11.20	13.50			
	EHD4X36A**	*8MPV075	TDR & TXV	34,800	0.77	11.20	13.50			
	EHD4X36A**	*8MPV100	TDR & TXV	35,000	0.77	11.50	14.00			
	EHD4X36A**	*8MPV125	TDR & TXV	35,800	0.77	11.50	14.00			
	EHD4X36A**	*9MPV050	TDR & TXV	34,400	0.77	11.20	13.50			
	EHD4X36A**	*9MPV075	TDR & TXV	34,600	0.77	11.20	13.50			
	EHD4X36A**	*9MPV100	TDR & TXV	34,800	0.77	11.50	14.00			
	EHD4X36A**	*9MPV125	TDR & TXV	35,000	0.77	11.50	14.00			
	EHD4X36A**	MV08B15****	TDR & TXV	35,000	0.77	11.50	14.00			
	EHD4X36A**	MV12F19****	TDR & TXV	35,000	0.77	11.70	14.00			
	EHD4X36A**	MV16J22****	TDR & TXV	35,600	0.77	11.70	14.00			
	EHD4X36A**	MV20N26****	TDR & TXV	35,600	0.77	11.70	14.00			
	EHD4X42A**		TXV	35,200	0.77	11.00		13.00		
	EHD4X42A**	*8MPV050	TDR & TXV	35,200	0.77	11.20	13.50			
	EHD4X42A**	*8MPV075	TDR & TXV	35,400	0.77	11.50	14.00			
	EHD4X42A**	*8MPV100	TDR & TXV	35,400	0.77	11.50	14.00			
	EHD4X42A**	*8MPV125	TDR & TXV	35,400	0.77	11.70	14.00			
	EHD4X42A**	*9MPV050	TDR & TXV	34,800	0.77	11.20	13.50			
	EHD4X42A**	*9MPV075	TDR & TXV	35,200	0.77	11.20	13.50			
	EHD4X42A**	*9MPV100	TDR & TXV	35,600	0.77	11.50	14.00			
	EHD4X42A**	*9MPV125	TDR & TXV	35,800	0.77	11.50	14.00			
	EHD4X42A**	MV08B15****	TDR & TXV	35,600	0.77	11.50	14.00			
	EHD4X42A**	MV12F19****	TDR & TXV	35,200	0.77	11.70	14.00			
	EHD4X42A**	MV16J22****	TDR & TXV	36,200	0.77	11.70	14.00			
	EHD4X42A**	MV20N26****	TDR & TXV	36,200	0.77	11.70	14.00			
	EMA4X36D**		TXV	34,800	0.77	11.00		13.00		
	FEM4X36****		TDR & TXV	35,600	0.77	11.50	14.00			
	FEM4X42****		TDR & TXV	36,000	0.77	11.50	14.00			
	FS(M,U)4X42****		TDR & TXV	35,400	0.77	11.00	13.00			
	FSM4X36****		TDR & TXV	35,400	0.77	11.00	13.00			
	FSU4X36****		TDR & TXV	34,400	0.77	11.00	13.00			
C4A342GKA	‡ ED*4X42J**		TXV	42,000	0.75	11.00		13.00		
	ED*4X42J**	*8MPV100	TDR & TXV	42,000	0.75	11.50	14.00			
	ED*4X42J**	*8MPV125	TDR & TXV	42,000	0.75	11.50	14.00			
	ED*4X42J**	*9MPV100	TDR & TXV	42,000	0.75	11.20	13.50			
	ED*4X42J**	MV16J22****	TDR & TXV	42,500	0.75	11.50	14.00			
	ED*4X42L**		TXV	42,000	0.75	11.00		13.00		
	ED*4X42L**	*9MPV125	TDR & TXV	42,500	0.75	11.00	13.20			
	ED*4X48F**		TXV	43,000	0.75	11.00		13.00		
	ED*4X48F**	*8MPV075	TDR & TXV	43,000	0.75	11.20	13.50			
	ED*4X48J**		TXV	42,500	0.75	11.00		13.00		
	ED*4X48J**	*8MPV100	TDR & TXV	42,500	0.75	11.50	14.00			
	ED*4X48J**	*8MPV125	TDR & TXV	43,000	0.75	11.50	14.00			
	ED*4X48J**	*9MPV100	TDR & TXV	43,000	0.75	11.00	13.20			
	ED*4X48J**	MV16J22****	TDR & TXV	43,500	0.75	11.70	14.00			
	ED*4X48L**		TXV	42,500	0.75	11.00		13.00		
	ED*4X48L**	*9MPV125	TDR & TXV	43,000	0.75	11.50	14.00			
	EHD4X42A**		TXV	42,000	0.75	11.00		13.00		
	EHD4X42A**	*8MPV075	TDR & TXV	42,000	0.75	11.20	13.50			
	EHD4X42A**	*8MPV100	TDR & TXV	42,500	0.75	11.20	13.50			
	EHD4X42A**	*8MPV125	TDR & TXV	42,000	0.75	11.50	14.00			
	EHD4X42A**	*9MPV100	TDR & TXV	42,000	0.75	11.20	13.50			
	EHD4X42A**	*9MPV125	TDR & TXV	42,000	0.75	11.20	13.50			
	EHD4X42A**	MV16J22****	TDR & TXV	42,000	0.75	11.70	14.00			
	EHD4X42A**	MV20N26****	TDR & TXV	42,000	0.75	11.50	14.00			
	EHD4X48A**		TXV	43,000	0.75	11.00		13.00		
	EHD4X48A**	*8MPV075	TDR & TXV	43,000	0.75	11.20	13.50			
	EHD4X48A**	*8MPV100	TDR & TXV	42,500	0.75	11.50	14.00			
	EHD4X48A**	*8MPV125	TDR & TXV	43,000	0.75	11.50	14.00			
	EHD4X48A**	*9MPV100	TDR & TXV	43,000	0.75	11.20	13.50			
	EHD4X48A**	*9MPV125	TDR & TXV	43,000	0.75	11.20	13.50			
	EHD4X48A**	MV16J22****	TDR & TXV	43,500	0.75	11.70	14.00			
	EHD4X48A**	MV20N26****	TDR & TXV	43,500	0.75	11.50	14.00			
	EMA4X48D**		TXV	42,000	0.75	11.00		13.00		

- continued on next page -

COOLING PERFORMANCE FOR COMBINATION RATINGS (continued)											
Current Indoor Models											
Outdoor Model	Current Indoor Model (‡ tested combo)	Furnace Model	Factory Installed	Cooling (95 °F)			SEER				
				BTU/hr	S/T	EER	factory	w/ field TDR	w/ field R-410A TXV	w/ field R-410A TXV+TDR	
C4A342GKA (continued)	FEM4X42****		TDR & TXV	43,000	0.75	11.50	14.00				
	FEM4X48****		TDR & TXV	44,000	0.75	11.70	14.00				
	FS(M,U)4X42****		TDR & TXV	42,000	0.75	11.00	13.00				
	FS(M,U)4X48****		TDR & TXV	43,000	0.75	11.00	13.20				
	F5M4X36****		TDR & TXV	42,500	0.75	11.00	13.00				
C4A348GKA	ED*4X48F**		TXV	46,500	0.76	11.00		13.00			
	‡ ED*4X48J**		TXV	47,000	0.76	11.00		13.00			
	ED*4X48J**	*8MPV125	TDR & TXV	47,000	0.76	11.00	13.20				
	ED*4X48J**	MV16J22****	TDR & TXV	47,000	0.76	11.20	13.50				
	ED*4X48L**		TXV	47,000	0.76	11.00		13.00			
	ED*4X48L**	*9MPV125	TDR & TXV	46,500	0.76	11.00	13.20				
	ED*4X60J**		TXV	48,000	0.76	11.00		13.00			
	ED*4X60J**	*8MPV100	TDR & TXV	48,500	0.76	11.20	13.50				
	ED*4X60J**	*8MPV125	TDR & TXV	47,500	0.76	11.20	13.50				
	ED*4X60J**	*9MPV100	TDR & TXV	48,000	0.76	11.00	13.20				
	ED*4X60J**	MV16J22****	TDR & TXV	49,000	0.76	11.50	14.00				
	ED*4X60L**		TXV	48,000	0.76	11.00		13.00			
	ED*4X60L**	*9MPV125	TDR & TXV	48,000	0.76	11.20	13.50				
	EHD4X48A**		TXV	47,000	0.76	11.00		13.00			
	EHD4X48A**	*8MPV100	TDR & TXV	47,000	0.76	11.00	13.20				
	EHD4X48A**	*8MPV125	TDR & TXV	47,000	0.76	11.00	13.20				
	EHD4X48A**	*9MPV125	TDR & TXV	47,000	0.76	11.00	13.20				
	EHD4X48A**	MV16J22****	TDR & TXV	47,000	0.76	11.20	13.50				
	EHD4X48A**	MV20N26****	TDR & TXV	47,000	0.76	11.20	13.50				
	EHD4X60A**		TXV	48,000	0.76	11.00		13.00			
	EHD4X60A**	*8MPV100	TDR & TXV	48,500	0.76	11.20	13.50				
	EHD4X60A**	*8MPV125	TDR & TXV	47,500	0.76	11.20	13.50				
	EHD4X60A**	*9MPV125	TDR & TXV	48,000	0.76	11.20	13.50				
	EHD4X60A**	MV16J22****	TDR & TXV	49,000	0.76	11.50	14.00				
	EHD4X60A**	MV20N26****	TDR & TXV	49,000	0.76	11.50	14.00				
	EMA4X48D**		TXV	46,000	0.76	11.00		13.00			
	FEM4X48****		TDR & TXV	48,000	0.76	11.20	13.50				
	FEM4X60****		TDR & TXV	49,000	0.76	11.50	14.00				
	FS(M,U)4X48****		TDR & TXV	47,500	0.76	11.00	13.00				
	FS(M,U)4X60****		TDR & TXV	48,000	0.76	11.00	13.00				
	C4A360GKA	ED*4X60J**		TXV	59,000	0.76	11.00		13.00		
		ED*4X60J**	*8MPV100	TDR & TXV	58,500	0.76	11.00	13.20			
ED*4X60J**		MV16J22****	TDR & TXV	59,500	0.76	11.00	13.20				
‡ ED*4X60L**			TXV	59,500	0.76	11.00		13.00			
ED*4X60L**		*9MPV125	TDR & TXV	57,500	0.76	11.00	13.20				
EHD4X60A**			TXV	59,500	0.76	11.00		13.00			
EHD4X60A**		*8MPV100	TDR & TXV	58,500	0.76	11.00	13.20				
EHD4X60A**		*9MPV125	TDR & TXV	57,000	0.76	11.00	13.20				
EHD4X60A**		MV16J22****	TDR & TXV	59,500	0.76	11.00	13.20				
EHD4X60A**		MV20N26****	TDR & TXV	59,500	0.76	11.20	13.50				
FEM4X60****			TDR & TXV	60,500	0.76	11.00	13.20				
FS(M,U)4X60****			TDR & TXV	59,000	0.76	11.00	13.00				

COOLING PERFORMANCE FOR COMBINATION RATINGS Obsolete Indoor Models										
Outdoor Model	Obsolete Indoor Model	Furnace Model	Factory Installed	Cooling (95 ° F)			SEER			
				BTU/hr	S/T	EER	factory	w/ field TDR	w/ field R-410A TXV	w/ field R-410A TXV+TDR
C4A318GKA	EBP18****		TDR	16,700	0.77	10.70			12.40	
	EBP24****		TDR	17,500	0.77	10.70			12.95	
	EBV24****		TDR & TXV	18,200	0.77	11.70			14.00	
	EBXX18****		TDR & TXV	17,500	0.77	11.00	13.00			
	EBXX24****		TDR & TXV	17,600	0.77	11.00	13.20			
	EL*18B****		NONE	16,100	0.77	10.10				11.65
	EL*24B****		NONE	16,800	0.77	10.55				12.20
	EL*24B****	MV08B15****	TDR	17,100	0.77	11.50			14.00	
	EMH24F****		NONE	16,800	0.77	10.55				12.20
	EP*18B****		NONE	16,100	0.77	10.10				11.65
	EP*24B****		NONE	16,800	0.77	10.55				12.20
	EP*24B****	MV08B15****	TDR	17,100	0.77	11.50			14.00	
	EP*24F****		NONE	16,800	0.77	10.55				12.20
	EP*24F****	MV12F19****	TDR	17,100	0.77	11.50			14.00	
	EPP024****		NONE	15,800	0.77	9.75				11.50
	EXX*24B****		TXV	17,700	0.77	10.70		12.95		
	EXX*24B****	MV08B15****	TDR & TXV	18,300	0.77	11.70	14.00			
	EXX*24F****		TXV	17,700	0.77	10.70		12.95		
	EXX*24F****	MV12F19****	TDR & TXV	18,300	0.77	11.70	14.00			
	FWM18****		TDR	16,800	0.77	10.70			12.85	
FWM24****		TDR	17,400	0.77	10.70			12.75		
C4A324GKA	EBP24****		TDR	23,600	0.76	10.70			12.95	
	EBP30****		TDR	24,000	0.76	11.00			13.20	
	EBV24****		TDR & TXV	24,600	0.76	11.50			14.00	
	EBV36****		TDR & TXV	24,600	0.76	11.70			14.00	
	EBXX18****		TDR & TXV	23,600	0.76	10.70	12.95			
	EBXX24****		TDR & TXV	24,000	0.76	11.00	13.20			
	EL*24B****		NONE	22,400	0.76	10.70				12.20
	EL*24B****	*8MPV050	TDR	22,600	0.76	11.00			13.00	
	EL*24B****	MV08B15****	TDR	23,000	0.76	11.20			13.50	
	EL*30B****		NONE	22,800	0.76	10.70				12.40
	EL*30B****	*8MPV050	TDR	23,000	0.76	11.00			13.00	
	EL*30B****	MV08B15****	TDR	23,200	0.76	11.20			13.50	
	EMH24F****		NONE	22,400	0.76	10.70				12.20
	EMH30F****		NONE	22,800	0.76	10.70				12.40
	EP*24B****		NONE	22,400	0.76	10.70				12.20
	EP*24B****	*8MPV050	TDR	22,600	0.76	11.00			13.00	
	EP*24B****	MV08B15****	TDR	23,000	0.76	11.20			13.50	
	EP*24F****		NONE	22,400	0.76	10.70				12.20
	EP*24F****	*9MPV050	TDR	22,800	0.76	11.00			13.00	
	EP*24F****	*9MPV075	TDR	22,600	0.76	11.00			13.20	
	EP*24F****	MV12F19****	TDR	22,800	0.76	11.20			13.50	
	EP*30B****		NONE	22,800	0.76	10.70				12.40
	EP*30B****	*8MPV050	TDR	23,000	0.76	11.00			13.20	
	EP*30B****	MV08B15****	TDR	23,200	0.76	11.20			13.50	
	EP*30F****		NONE	22,800	0.76	10.70				12.40
	EP*30F****	*9MPV050	TDR	23,000	0.76	11.20			13.50	
	EP*30F****	*9MPV075	TDR	23,200	0.76	11.00			13.20	
	EP*30F****	MV12F19****	TDR	23,400	0.76	11.50			14.00	
	EPP024****		NONE	20,800	0.76	9.80				11.40
	EPP030****		NONE	22,000	0.76	10.65				12.00
	EXX*24B****		TXV	24,000	0.76	11.00		13.00		
	EXX*24B****	*8MPV050	TDR & TXV	24,200	0.76	11.20	13.50			
	EXX*24B****	MV08B15****	TDR & TXV	24,200	0.76	11.70	14.00			
	EXX*24F****		TXV	24,000	0.76	11.00		13.00		
EXX*24F****	*8MPV075	TDR & TXV	24,400	0.76	11.20	13.50				
EXX*24F****	*9MPV050	TDR & TXV	24,200	0.76	11.20	13.50				
EXX*24F****	*9MPV075	TDR & TXV	24,000	0.76	11.20	13.50				
EXX*24F****	MV12F19****	TDR & TXV	24,400	0.76	11.70	14.00				
FWM24****		TDR	23,600	0.76	10.70			12.70		
FWM30****		TDR	24,000	0.76	10.70			12.90		
C4A330GKA	EBP30****		TDR	28,400	0.77	10.70			12.90	
	EBP36****		TDR	28,600	0.77	10.70			12.60	
	EBV24****		TDR & TXV	29,200	0.77	11.20			13.50	
	EBV36****		TDR & TXV	29,400	0.77	11.50			14.00	
	EBV48****		TDR & TXV	30,400	0.77	11.70			14.00	

- continued on next page -

COOLING PERFORMANCE FOR COMBINATION RATINGS (continued)										
Obsolete Indoor Models										
Outdoor Model	Obsolete Indoor Model	Furnace Model	Factory Installed	Cooling (95 °F)			SEER			
				BTU/hr	S/T	EER	factory	w/ field TDR	w/ field R-410A TXV	w/ field R-410A TXV+TDR
C4A330GKA (continued)	EBX36****		TDR & TXV	29,000	0.77	11.00	13.00			
	EL*30B****		NONE	26,800	0.77	10.25				11.90
	EL*30B****	*8MPV050	TDR	26,800	0.77	10.20			12.25	
	EL*30B****	MV08B15****	TDR	27,000	0.77	10.70			12.80	
	EL*36B****		NONE	27,800	0.77	10.70				12.40
	EL*36B****	*8MPV050	TDR	28,000	0.77	10.70			12.80	
	EL*36B****	MV08B15****	TDR	28,000	0.77	11.00			13.20	
	EL*36F****		NONE	27,800	0.77	10.70				12.40
	EL*36F****	*8MPV075	TDR	28,200	0.77	11.00			13.20	
	EL*36F****	*9MPV050	TDR	27,800	0.77	10.70			12.80	
	EL*36F****	*9MPV075	TDR	28,000	0.77	10.70			12.90	
	EL*36F****	MV12F19****	TDR	28,400	0.77	11.20			13.50	
	EMH30F****		NONE	26,800	0.77	10.70				11.90
	EMH36F****		NONE	27,800	0.77	10.70				12.40
	EP*30B****		NONE	26,800	0.77	10.70				11.90
	EP*30B****	*8MPV050	TDR	26,800	0.77	10.30			12.25	
	EP*30B****	MV08B15****	TDR	27,000	0.77	10.70			12.90	
	EP*30F****		NONE	26,800	0.77	10.70				11.90
	EP*30F****	*8MPV075	TDR	27,000	0.77	10.70			12.70	
	EP*30F****	*9MPV050	TDR	26,800	0.77	10.20			12.25	
	EP*30F****	*9MPV075	TDR	26,800	0.77	10.25			12.30	
	EP*30F****	MV12F19****	TDR	27,400	0.77	11.00			13.00	
	EP*36B****		NONE	27,800	0.77	10.35			12.40	
	EP*36B****	*8MPV050	TDR	28,000	0.77	10.70			12.90	
	EP*36B****	MV08B15****	TDR	28,000	0.77	11.00			13.20	
	EP*36F****		NONE	27,800	0.77	10.35				12.40
	EP*36F****	*8MPV075	TDR	28,200	0.77	11.00			13.20	
	EP*36F****	*9MPV050	TDR	27,800	0.77	10.70			12.80	
	EP*36F****	*9MPV075	TDR	28,000	0.77	10.70			12.90	
	EP*36F****	MV12F19****	TDR	28,400	0.77	11.20			13.50	
	EP*36J****		NONE	27,800	0.77	10.35				12.40
	EP*36J****	*8MPV100	TDR	28,000	0.77	11.20			13.50	
	EP*36J****	*8MPV125	TDR	28,000	0.77	11.20			13.50	
	EP*36J****	*9MPV100	TDR	28,000	0.77	11.00			13.20	
	EP*36J****	MV16J22****	TDR	28,400	0.77	11.20			13.50	
	EPP030****		NONE	25,800	0.77	9.55				11.45
	EPP036****		NONE	26,200	0.77	9.80				11.70
	EXX*36B****		TXV	29,000	0.77	11.00		13.00		
	EXX*36B****	*8MPV050	TDR & TXV	29,200	0.77	11.20	13.50			
	EXX*36B****	MV08B15****	TDR & TXV	29,400	0.77	11.50	14.00			
	EXX*36F****		TXV	29,000	0.77	11.00		13.00		
	EXX*36F****	*8MPV075	TDR & TXV	29,200	0.77	11.20	13.50			
	EXX*36F****	*9MPV050	TDR & TXV	29,200	0.77	11.00	13.20			
	EXX*36F****	*9MPV075	TDR & TXV	29,200	0.77	11.00	13.20			
	EXX*36F****	MV12F19****	TDR & TXV	29,600	0.77	11.50	14.00			
EXX*36J****		TXV	29,000	0.77	11.00		13.00			
EXX*36J****	*8MPV100	TDR & TXV	29,800	0.77	11.50	14.00				
EXX*36J****	*8MPV125	TDR & TXV	29,800	0.77	11.50	14.00				
EXX*36J****	*9MPV100	TDR & TXV	29,800	0.77	11.20	13.50				
EXX*36J****	MV16J22****	TDR & TXV	29,600	0.77	11.70	14.00				
FWM30****		TDR	28,600	0.77	10.70			12.65		
EBP36****		TDR	34,000	0.77	10.70			12.45		
EBP42****		TDR	34,800	0.77	10.70			12.75		
EBV36****		TDR & TXV	35,400	0.77	11.20			13.50		
EBV48****		TDR & TXV	36,800	0.77	11.70			14.00		
EBX36****		TDR & TXV	34,800	0.77	10.70	12.75				
EL*36B****		NONE	32,400	0.77	10.30				12.30	
EL*36B****	MV08B15****	TDR	33,000	0.77	11.00			13.00		
EL*36F****		NONE	33,200	0.77	10.25				12.25	
EL*36F****	*8MPV075	TDR	33,000	0.77	10.70			12.95		
EL*36F****	*9MPV075	TDR	32,800	0.77	10.70			12.65		
EL*36F****	MV12F19****	TDR	33,400	0.77	11.00			13.20		
EL*42F****		NONE	34,000	0.77	10.70				12.70	
EL*42F****	*8MPV075	TDR	34,200	0.77	11.00			13.20		
EL*42F****	*9MPV075	TDR	34,000	0.77	10.70			12.80		
EL*42F****	MV12F19****	TDR	34,400	0.77	11.20			13.50		

- continued on next page -

COOLING PERFORMANCE FOR COMBINATION RATINGS (continued)										
Obsolete Indoor Models										
Outdoor Model	Obsolete Indoor Model	Furnace Model	Factory Installed	Cooling (95 °F)			SEER			
				BTU/hr	S/T	EER	factory	w/ field TDR	w/ field R-410A TXV	w/ field R-410A TXV+TDR
C4A336GKA (continued)	EMH36F****		NONE	33,200	0.77	10.25				12.25
	EMH42F****		NONE	34,000	0.77	10.70				12.70
	EP*36B****		NONE	32,400	0.77	10.30				12.30
	EP*36B****	MV08B15****	TDR	33,000	0.77	11.00			13.00	
	EP*36F****		NONE	33,200	0.77	10.25				12.25
	EP*36F****	*8MPV075	TDR	33,000	0.77	10.70			12.95	
	EP*36F****	*9MPV075	TDR	32,800	0.77	10.70			12.65	
	EP*36F****	MV12F19****	TDR	33,400	0.77	11.00			13.20	
	EP*36J****		NONE	33,200	0.77	10.25				12.25
	EP*36J****	*8MPV100	TDR	33,200	0.77	11.00			13.20	
	EP*36J****	*8MPV125	TDR	33,200	0.77	11.00			13.20	
	EP*36J****	*9MPV100	TDR	33,200	0.77	10.70			12.95	
	EP*36J****	MV16J22****	TDR	33,800	0.77	11.20			13.50	
	EP*42F****		NONE	34,000	0.77	10.70				12.70
	EP*42F****	*8MPV075	TDR	34,200	0.77	11.00			13.20	
	EP*42F****	*9MPV050	TDR	33,800	0.77	10.70			12.40	
	EP*42F****	*9MPV075	TDR	34,000	0.77	10.70			12.80	
	EP*42F****	MV12F19****	TDR	34,400	0.77	11.20			13.50	
	EP*42J****		NONE	34,200	0.77	10.70				12.65
	EP*42J****	*8MPV100	TDR	33,800	0.77	10.70			12.85	
	EP*42J****	*8MPV125	TDR	34,200	0.77	10.70			12.70	
	EP*42J****	*9MPV100	TDR	33,800	0.77	10.70			12.50	
	EP*42J****	MV16J22****	TDR	34,600	0.77	11.00			13.20	
	EXX*36B****		TXV	34,400	0.77	11.00		13.00		
	EXX*36B****	*8MPV050	TDR & TXV	34,400	0.77	10.70	12.50			
	EXX*36B****	MV08B15****	TDR & TXV	34,800	0.77	11.20	13.50			
	EXX*36F****		TXV	34,400	0.77	11.00		13.00		
	EXX*36F****	*8MPV075	TDR & TXV	34,600	0.77	11.20	13.50			
	EXX*36F****	*9MPV050	TDR & TXV	34,400	0.77	10.70	12.65			
	EXX*36F****	*9MPV075	TDR & TXV	34,600	0.77	11.00	13.00			
	EXX*36F****	MV12F19****	TDR & TXV	35,000	0.77	11.20	13.50			
	EXX*36J****		TXV	34,800	0.77	11.00		13.00		
	EXX*36J****	*8MPV100	TDR & TXV	34,800	0.77	11.20	13.50			
	EXX*36J****	*8MPV125	TDR & TXV	34,800	0.77	11.50	14.00			
	EXX*36J****	*9MPV100	TDR & TXV	34,800	0.77	11.20	13.50			
	EXX*36J****	MV16J22****	TDR & TXV	35,600	0.77	11.50	14.00			
	EXX*42F****		TXV	35,400	0.77	11.00		13.00		
	EXX*42F****	*8MPV075	TDR & TXV	35,200	0.77	11.20	13.50			
	EXX*42F****	*9MPV050	TDR & TXV	35,000	0.77	10.70	12.55			
	EXX*42F****	*9MPV075	TDR & TXV	35,200	0.77	11.00	13.20			
EXX*42F****	MV12F19****	TDR & TXV	35,400	0.77	11.50	14.00				
EXX*42J****		TXV	35,400	0.77	11.00		13.00			
EXX*42J****	*8MPV100	TDR & TXV	35,200	0.77	11.50	14.00				
EXX*42J****	*8MPV125	TDR & TXV	35,200	0.77	11.50	14.00				
EXX*42J****	*9MPV100	TDR & TXV	35,200	0.77	11.20	13.50				
EXX*42J****	MV16J22****	TDR & TXV	36,000	0.77	11.70	14.00				
C4A342GKA	EBP42****		TDR	41,500	0.75	10.70			12.75	
	EBP48****		TDR	42,000	0.75	11.00			13.00	
	EBV48****		TDR & TXV	43,500	0.75	11.70			14.00	
	EBV60****		TDR & TXV	44,500	0.75	12.00			14.00	
	EBXX48****		TDR & TXV	42,500	0.75	11.00	13.20			
	EL*42F****		NONE	39,500	0.75	10.70				12.75
	EL*42F****	*8MPV075	TDR	40,000	0.75	10.70			12.70	
	EL*42F****	*9MPV075	TDR	40,000	0.75	10.20			12.15	
	EL*48F****		NONE	40,500	0.75	10.70				12.90
	EL*48F****	*8MPV075	TDR	40,500	0.75	10.70			12.90	
	EL*48F****	*9MPV075	TDR	40,500	0.75	10.40			12.35	
	EMH42F****		NONE	39,500	0.75	10.70				12.75
	EMH48F****		NONE	41,000	0.75	11.00				13.00
	EP*42F****		NONE	39,500	0.75	10.70				12.75
	EP*42F****	*8MPV075	TDR	40,500	0.75	10.40			12.35	
	EP*42F****	*9MPV075	TDR	40,000	0.75	10.20			12.15	
	EP*42J****		NONE	40,000	0.75	10.70				12.75
	EP*42J****	*8MPV100	TDR	40,000	0.75	10.70			12.60	
	EP*42J****	*8MPV125	TDR	39,500	0.75	10.70			12.80	
	EP*42J****	*9MPV100	TDR	40,000	0.75	10.20			12.15	

- continued on next page -

COOLING PERFORMANCE FOR COMBINATION RATINGS (continued)										
Obsolete Indoor Models										
Outdoor Model	Obsolete Indoor Model	Furnace Model	Factory Installed	Cooling (95 °F)			SEER			
				BTU/hr	S/T	EER	factory	w/ field TDR	w/ field R-410A TXV	w/ field R-410A TXV+TDR
C4A342GKA (continued)	EP*42J****	MV16J22****	TDR	41,000	0.75	10.70			12.85	
	EP*48F****		NONE	40,500	0.75	10.70				12.90
	EP*48F****	*8MPV075	TDR	40,500	0.75	10.70			12.90	
	EP*48F****	*9MPV075	TDR	40,500	0.75	10.40			12.35	
	EP*48J****		NONE	41,500	0.75	10.70				12.95
	EP*48J****	*8MPV100	TDR	41,500	0.75	11.50			13.35	
	EP*48J****	*8MPV125	TDR	41,500	0.75	11.20			13.50	
	EP*48J****	*9MPV100	TDR	41,000	0.75	11.00			13.20	
	EP*48J****	MV16J22****	TDR	42,000	0.75	11.20			13.50	
	EP*48L****		NONE	41,500	0.75	10.70				12.90
	EP*48L****	*9MPV125	TDR	42,000	0.75	11.00			13.20	
	EP*48N****		NONE	41,500	0.75	10.70				12.95
	EP*48N****	MV20N26****	TDR	41,800	0.75	11.50			14.00	
	EXX*42F****		TXV	41,500	0.75	11.00		13.00		
	EXX*42F****	*8MPV075	TDR & TXV	42,000	0.75	11.00	13.20			
	EXX*42F****	*9MPV075	TDR & TXV	41,500	0.75	10.70	12.65			
	EXX*42J****		TXV	41,500	0.75	11.00		13.00		
	EXX*42J****	*8MPV100	TDR & TXV	42,500	0.75	11.20	13.50			
	EXX*42J****	*8MPV125	TDR & TXV	42,000	0.75	11.20	13.50			
	EXX*42J****	*9MPV100	TDR & TXV	41,500	0.75	11.20	13.50			
	EXX*42J****	MV16J22****	TDR & TXV	42,500	0.75	11.50	14.00			
	EXX*48J****		TXV	42,000	0.75	11.00		13.00		
	EXX*48J****	*9MPV125	TDR & TXV	42,500	0.75	11.00	13.20			
	EXX*48L****		TXV	42,000	0.75	11.00		13.00		
EXX*48L****	*9MPV125	TDR & TXV	42,500	0.75	11.00	13.20				
EXX*48N****		TXV	42,000	0.75	11.00		13.20			
EXX*48N****	MV20N26****	TDR & TXV	42,000	0.75	11.50	14.00				
C4A348GKA	EBP48****		TDR	46,500	0.76	10.70			12.50	
	EBP60****		TDR	47,000	0.76	10.25			12.30	
	EBV48****		TDR & TXV	48,000	0.76	11.20			13.50	
	EBV60****		TDR & TXV	48,500	0.76	11.20			13.50	
	EBXX48****		TDR & TXV	47,500	0.76	11.00	13.00			
	EBXX60****		TDR & TXV	48,000	0.76	11.00	13.00			
	EL*48F****		NONE	44,000	0.76	10.70				12.45
	EL*60J****		NONE	46,500	0.76	10.70				12.70
	EL*60J****	*8MPV100	TDR	46,500	0.76	10.70			12.90	
	EL*60J****	*8MPV125	TDR	46,500	0.76	11.00			13.00	
	EL*60J****	*9MPV100	TDR	46,000	0.76	10.70			12.75	
	EL*60J****	MV16J22****	TDR	47,000	0.76	11.20			13.50	
	EMH48F****		NONE	44,000	0.76	10.70				12.55
	EP*48F****		NONE	44,000	0.76	10.70				12.45
	EP*48J****		NONE	44,500	0.76	10.70				12.60
	EP*48J****	*8MPV100	TDR	45,500	0.76	10.70			12.55	
	EP*48J****	*8MPV125	TDR	45,500	0.76	10.70			12.80	
	EP*48J****	*9MPV100	TDR	45,000	0.76	10.70			12.45	
	EP*48J****	MV16J22****	TDR	46,000	0.76	11.00			13.20	
	EP*48L****		NONE	44,500	0.76	10.70				12.60
	EP*48L****	*9MPV125	TDR	45,000	0.76	10.70			12.70	
	EP*48N****		NONE	44,500	0.76	10.70				12.60
	EP*48N****	MV20N26****	TDR	46,000	0.76	11.00			13.20	
	EP*60J****		NONE	46,500	0.76	10.70				12.70
	EP*60J****	*8MPV100	TDR	46,500	0.76	10.70			12.90	
	EP*60J****	*8MPV125	TDR	46,500	0.76	11.00			13.20	
	EP*60J****	*9MPV100	TDR	46,000	0.76	10.70			12.75	
	EP*60J****	MV16J22****	TDR	47,000	0.76	11.20			13.50	
	EP*60L****		NONE	46,500	0.76	10.70				12.70
	EP*60L****	*9MPV125	TDR	46,000	0.76	11.00			13.00	
	EP*60N****		NONE	46,500	0.76	10.70				12.70
	EP*60N****	MV20N26****	TDR	47,000	0.76	11.20			13.50	
	EXX*48J****		TXV	46,000	0.76	10.70		12.70		
	EXX*48J****	*9MPV125	TDR & TXV	46,000	0.76	10.70	12.90			
EXX*48L****		TXV	46,000	0.76	10.70		12.75			
EXX*48L****	*9MPV125	TDR & TXV	46,000	0.76	10.70	12.90				
EXX*48N****		TXV	46,000	0.76	10.70	12.75				
EXX*48N****	MV20N26****	TDR & TXV	46,500	0.76	11.20	13.50				

- continued on next page -

COOLING PERFORMANCE FOR COMBINATION RATINGS (continued)										
Obsolete Indoor Models										
Outdoor Model	Obsolete Indoor Model	Furnace Model	Factory Installed	Cooling (95 °F)			SEER			
				BTU/hr	S/T	EER	factory	w/ field TDR	w/ field R-410A TXV	w/ field R-410A TXV+TDR
C4A348GKA (continued)	EXX*60L****		TXV	48,500	0.76	11.00		13.00		
	EXX*60L****	*9MPV125	TDR & TXV	48,000	0.76	11.20	13.50			
	EXX*60N****		TXV	48,500	0.76	11.00		13.00		
	EXX*60N****	MV20N26****	TDR & TXV	49,000	0.76	11.50	14.00			
C4A360GKA	EBP60****		TDR	58,000	0.76	10.70			12.30	
	EBV60****		TDR & TXV	59,500	0.76	11.00			13.00	
	EBXX60****		TDR & TXV	59,000	0.76	10.70	12.70			
	EL*60J****		NONE	56,000	0.76	10.70				12.40
	EL*60J****	*8MPV100	TDR	56,000	0.76	10.30			12.20	
	EL*60J****	*8MPV125	TDR	56,000	0.76	10.70			12.45	
	EL*60J****	*9MPV100	TDR	56,000	0.76	10.00			11.70	
	EL*60J****	MV16J22****	TDR	57,000	0.76	10.70			12.70	
	EP*60J****		NONE	56,000	0.76	10.70				12.40
	EP*60J****	*8MPV100	TDR	56,000	0.76	10.30			12.20	
	EP*60J****	*8MPV125	TDR	56,000	0.76	10.70			12.45	
	EP*60J****	*9MPV100	TDR	56,000	0.76	10.00			11.70	
	EP*60J****	MV16J22****	TDR	57,000	0.76	10.70			12.70	
	EP*60L****		NONE	56,000	0.76	10.70				12.40
	EP*60L****	*9MPV125	TDR	56,000	0.76	10.70			12.15	
	EP*60N****		NONE	56,000	0.76	10.70				12.40
	EP*60N****	MV20N26****	TDR	57,000	0.76	10.70			12.80	
	EXX*60L****		TXV	59,000	0.76	10.70		12.95		
	EXX*60L****	*9MPV125	TDR & TXV	59,000	0.76	10.70	12.70			
	EXX*60N****		TXV	59,000	0.76	10.70		12.95		
EXX*60N****	MV20N26****	TDR & TXV	60,000	0.76	11.00	13.20				

OUTDOOR UNIT MODEL NUMBER IDENTIFICATION GUIDE (single phase)											
Digit Position:	1	2	3	4	5, 6	7	8	9	10	11	12
Example Part Number:	C	4	A	3	18	G	K	A	1	0	0
N = Non-Branded C = Comfortmaker BRANDING											
2 = R-22 4 = R-410A REFRIGERANT											
A = Air Conditioner H = Heat Pump TYPE											
3 = 13 SEER 6 = 16 SEER 4 = 14 SEER 7 = 17 SEER 5 = 15 SEER 8 = 18 SEER NOMINAL EFFICIENCY											
18 = 18,000 BTUH = 1½ tons 24 = 24,000 BTUH = 2 tons 30 = 30,000 BTUH = 2½ tons 36 = 36,000 BTUH = 3 tons 42 = 42,000 BTUH = 3½ tons 48 = 48,000 BTUH = 4 tons 60 = 60,000 BTUH = 5 tons NOMINAL CAPACITY											
A = Standard Grille G = Coil Guard Grille FEATURES											
K = 208/230-1-60 VOLTAGE											
Sales Code											
Engineering Revision											
Extra Digit											
Extra Digit											

ACCESSORIES PART NUMBER IDENTIFICATION GUIDE								
Digit Position:	1	2	3	4	5	6, 7	8, 9	
Example Part Number:	N	A	S	A	0	01	CH	
N = Non-Branded BRANDING								
A = Accessory PRODUCT GROUP								
S = Split System (AC & HP) KIT USAGE								
A = Original B = 2nd Generation MAJOR SERIES								
0 = Generic or Not Applicable 2 = R-22 4 = R-410A REFRIGERANT								
Product Identifier Number								
AC = Anti-Cycle Timer			LA = Low Ambient		SC = Start Component		TD = Time Delay	
CH = Crankcase Heater			LS = Liq. Line Solenoid		SF = Support Feet		WS = Winter Start Control	
FS = Freeze Stat			PS = Pressure Switch		SJ = Sound Jacket		TYPE OF KIT	

International Comfort Products, LLC
 Lewisburg, Tennessee 37091
 www.comfortmakerdlr.com