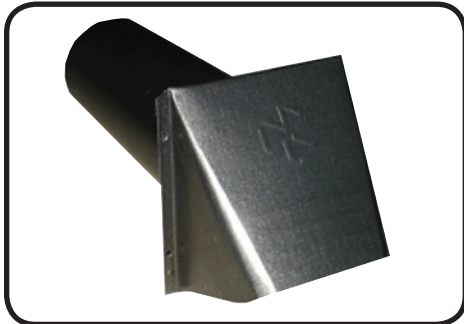


P-Tanium™ Standard Mouth Hood

Builder's Best, Inc.
201 Broiles Drive • Jacksonville, TX 75766
1-8-U VENT SAFE (1-888-368-7233) or 903-586-8283
FAX 1-800-259-VENT (1-800-259-8368) or 903-586-9370
Internet: www.buildersbest.com



Product Specifications

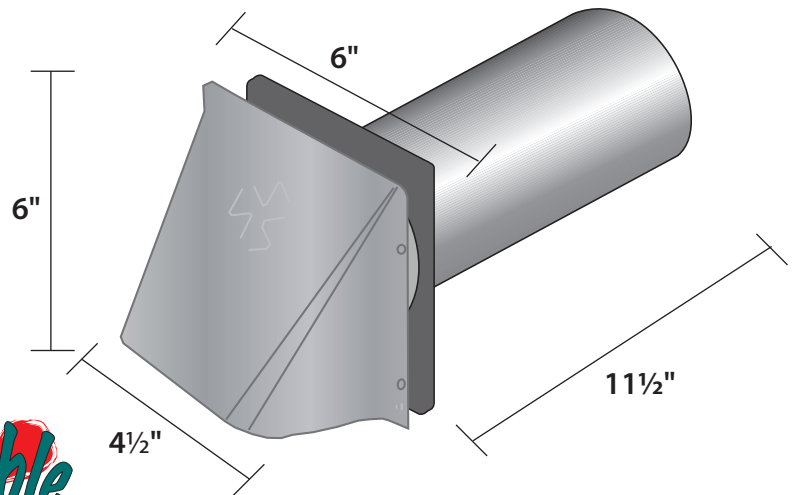
- 30 ga. paintable galvanized
- Back-draft flapper
- Galvanized trim plate
- 11½" fully assembled, riveted tailpipe



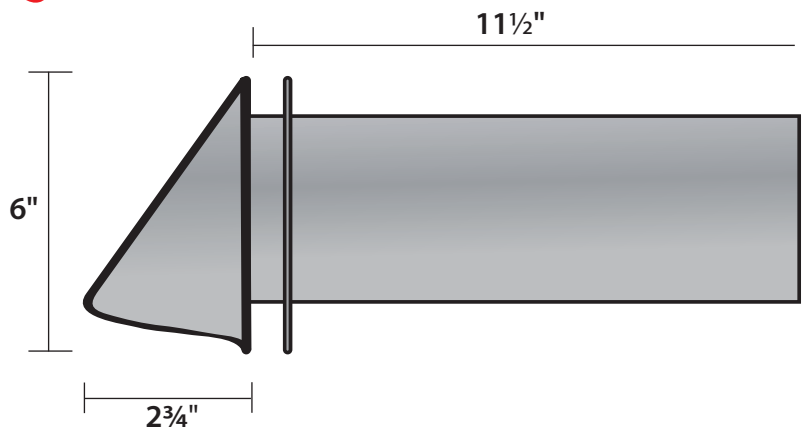
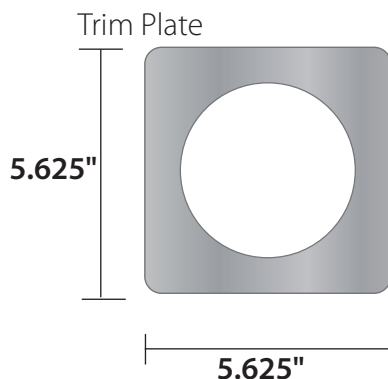
Extreme durability in tough professional situations.

Part Numbers

Diameter	Part #	Qty	Pkg	UPC
Standard Mouth:				
3"	110883	12	bulk	
4"	110627	6	display tray	
	110885	12	bulk	
	110750	4	Ind. box	
Hood only, no tailpipe Standard Mouth:				
4"	111419	24	bulk	
Trim Plate				
3"	110056	100	bulk	
4"	110057	100	bulk	



Paintable



Warranty

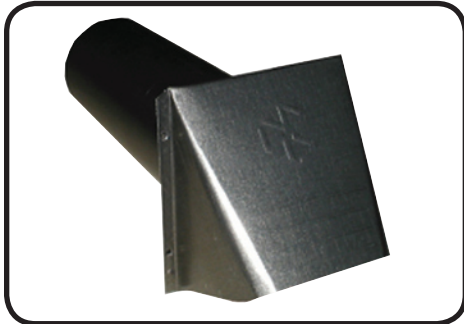
Manufacturer assumes no responsibility for failure due to improper installation.
All specifications and designs are subject to change without notice and without incurring liability.

WARRANTY EXCLUSION AND DISCLAIMER Seller specifically excludes, and hereby disclaims any express representation or express warranty of any kind with respect to the goods ordered hereunder. All implied warranties, including without limitation merchantability or fitness for a particular purpose or arising from a course of dealing or usage or trade shall expire and cease 45 days after date of delivery. Seller shall not be liable to buyer or any third party for any special, secondary, incidental, or consequential damages however arising. Nothing in this provision shall invalidate or restrict any right or remedy otherwise available under state or federal law. Materials and specifications subject to change without notice.

MADE IN USA • 4/9/09 • wmalum_specsheetshoods • ©Builder's Best, Inc

P-Tanium™ Wide Mouth Hood

Builder's Best, Inc.
201 Broiles Drive • Jacksonville, TX 75766
1-8-U VENT SAFE (1-888-368-7233) or 903-586-8283
FAX 1-800-259-VENT (1-800-259-8368) or 903-586-9370
Internet: www.buildersbest.com



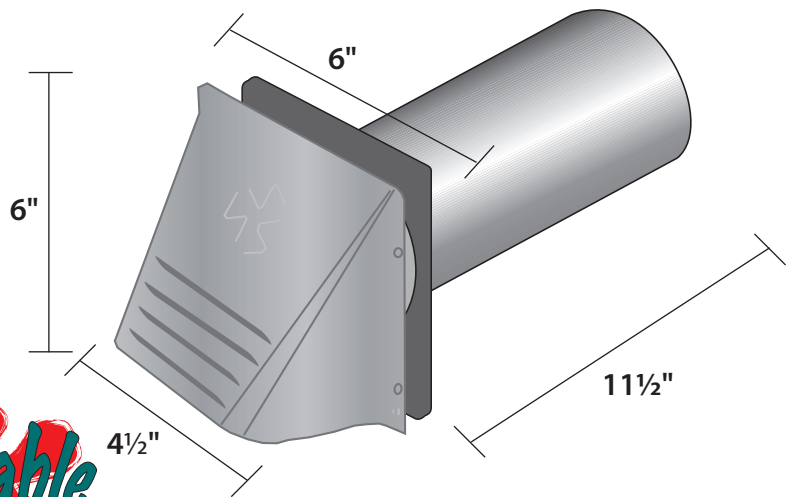
Product Specifications

- 30 ga. paintable galvanized
- Back-draft flapper
- Galvanized trim plate
- 11½" fully assembled, riveted tailpipe
- Wide mouth for better airflow

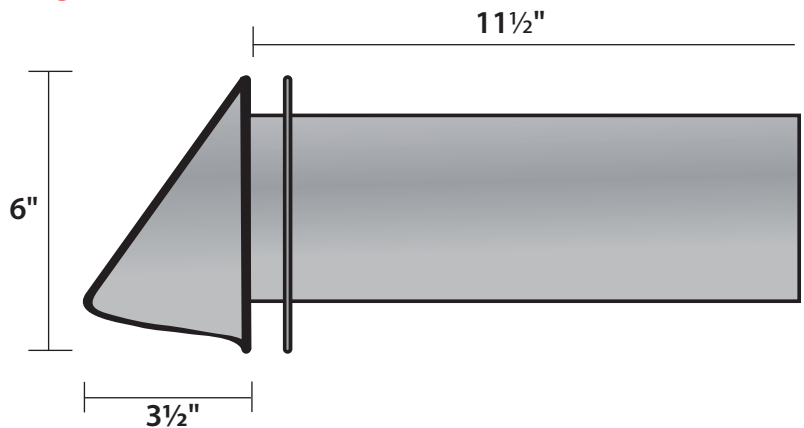
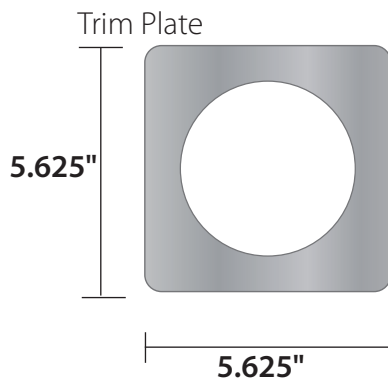


Part Numbers

Diameter	Part #	Qty	Pkg	UPC
Wide Mouth:				
3"	110887	12	bulk	•
4"	110648	6	display tray	•
	111430	8	display card	•
	110889	12	bulk	
Wide outh with flapper, screen and tail:				
4"	110891	12	bulk	
Hood only, no tailpipe Wide Mouth				
4"	111157	24	bulk	
Trim Plate				
3"	110056	100	bulk	
4"	110057	100	bulk	



Paintable



Warranty

Manufacturer assumes no responsibility for failure due to improper installation.
All specifications and designs are subject to change without notice and without incurring liability.

WARRANTY EXCLUSION AND DISCLAIMER Seller specifically excludes, and hereby disclaims any express representation or express warranty of any kind with respect to the goods ordered hereunder. All implied warranties, including without limitation merchantability or fitness for a particular purpose or arising from a course of dealing or usage or trade shall expire and cease 45 days after date of delivery. Seller shall not be liable to buyer or any third party for any special, secondary, incidental, or consequential damages however arising. Nothing in this provision shall invalidate or restrict any right or remedy otherwise available under state or federal law. Materials and specifications subject to change without notice.