

RELAY

CAT. **RM4**



ALARM RELAY

Activates auxiliary devices from smoke, CO and/or heat alarm signal.

SMART INTERCONNECT

Works with all First Alert and BRK "Smart Interconnect" CO Alarms.

MEETS UL STANDARDS

UL217, UL2034 and UL539 for accessories.

MEETS ULC STANDARDS

ULC S-531, CSA6.19 and ULC S-530 for accessories.

FITS IN MOST STANDARD ELECTRICAL BOXES



Listed to
**UL 217 &
UL 2034
Standards**

BRK®

THE PROFESSIONAL STANDARD

120V AC, 60Hz Wire-in

Designed to activate an auxiliary device when an alarm is initiated. The RM4 Relay is intended for use with BRK and First Alert Smoke, Heat and Carbon Monoxide Alarms. The relay contacts will activate whenever any interconnected alarm sounds. The relay contacts will automatically deactivate a few seconds after the alarm stops sounding. The RM4 may be wired next to an AC alarm or from a remote location. This relay must be installed in a junction box.

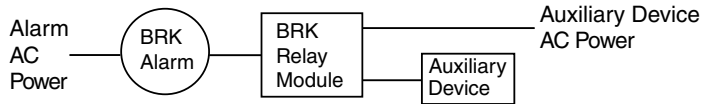
Interconnects smoke alarms, carbon monoxide alarms and heat alarms with:

- Lights
- Bells
- Door Closers
- Sirens
- Exit Signals
- Escape Lights
- Exhaust Fans
- Other Auxiliary Devices





This accessory relay is designed to activate auxiliary devices such as bells, lights and door closers. The RM4 Relay is intended for use with BRK and First Alert Smoke, Heat, and Carbon Monoxide Alarms.



TECHNICAL SPECS

Dimensions:	3.5 L x 1.5 H
Weight:	2.2 oz
Operating Voltage:	120V AC 60Hz
Operating Current:	.02 amps (standby/alarm)
Temperature Range:	40°F (4°C) to 100°F (38°C)
Humidity Range:	10% to 90% relative humidity (RH)
Interconnections:	Up to 18 units of First Alert or BRK Smoke, CO and Heat Alarms. Maximum of 12 smoke alarms. See user's manual for details.
Listing:	Meets UL217, UL2034, UL539,ULC S-531, CSA6.19 and ULCS-530 for accessories.

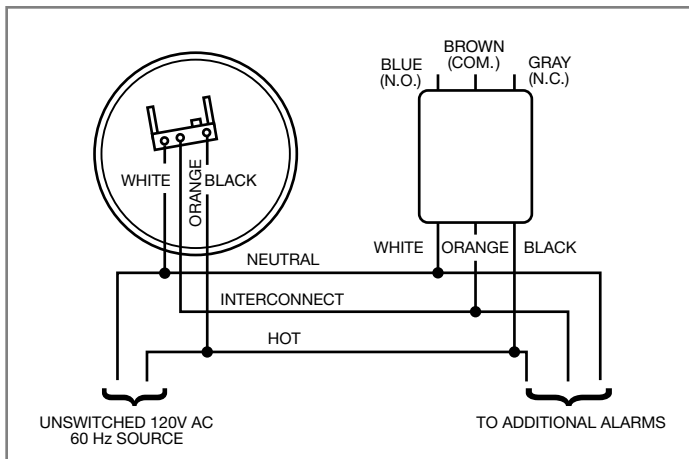
ARCHITECTURAL AND ENGINEERING SPEC

To install this relay to an alarm, connect the power wires as listed below. See diagram for connections. Note: If wiring the relay remote from the alarm, use a maximum of 1000 feet [300 meters] of #18AWG or larger wire rated at least 300V.

ALARM	CONNECTION	RELAY
BLACK WIRE	(HOT)	BLACK WIRE
WHITE WIRE	(NEUTRAL)	WHITE WIRE
ORANGE WIRE	(INTERCONNECT)	ORANGE WIRE

Now connect the accessory to be activated by the relay to the relay's switch contact wires as listed below. (Use wiring appropriate to the auxiliary device being controlled.)
NOTE: Since voltage is present on all relay contact wires at some time during operation, the installer must properly insulate any unused relay contact wire.

- BROWN WIRE: HOT CONTACT TO AUXILIARY DEVICE
- GRAY WIRE: NORMALLY CLOSED CONTACT
- BLUE WIRE: NORMALLY OPEN CONTACT



CONTACT RATINGS (MAXIMUM):

VOLTAGE	RESISTIVE	MOTOR
120V AC	15 AMP	1/3 H.P.
30V	DC 15 AMP	

After installation, test the interaction of the auxiliary device with the alarm by pressing the alarm test button.

SHIPPING SPECS:

Individual Bag Dim. (Approx.)	6.25"L x 1.50"W x 5.00"H
Weight	0.16 lbs.
Cube	0.03 ft3
UPC	0 29054 00057 6
Master Carton Dimensions	10.25"L x 4.75"W x 6.38"H
Master Pack	12
Weight	2.1 lbs.
Cube:	0.19 ft3
I2of5:	100 29054 00057 3

Pallet Information	
Cases per Layer	35
Number of Layers:	6
Cases per Pallet:	210
Units per Pallet:	2,520
Cube:	54.7 ft3
Weight:	695 lbs.