

## EXPANSION VALVE COILS

### ALL MODELS

- 1½ thru 5 Tons
- Copper tube / aluminum fin "A" coil with latest high-tech fin design
- Bolt-on TXV metering device factory installed on all models (equalizer tube brazed in)
- TXV and manifold positioned to the side for easier cleaning
- Innovative drain pan design for complete water removal
- Two condensate drain connections (EDM has additional two for horizontal installation)
- 2-piece delta plate for easier removal and cleaning

### CASED COILS

- Upflow cabinet widths and horizontal cabinet depths match flush with ICP gas furnaces
- Removable front access panel
- Easy slide-out coil for inspection
- Hemmed flanges for safer handling
- Foil faced insulation
- Non-sweat cabinet, even at extreme conditions
- Cabinets meet or exceed 2% air leakage codes
- Sturdy, 22 gauge, pre-painted steel cabinet

### EDM

- Multiposition installation – upflow, downflow, or horizontal
- Available for R-410A or R-22 systems
- Two UV light knock-outs provided on cabinet
- Available with industry exclusive tin coated copper main tubing for additional corrosion protection

### EDD

- Upflow or downflow installation
- Available for R-410A or R-22 systems
- Two UV light knock-outs provided on cabinet
- Available with industry exclusive tin coated copper main tubing for additional corrosion protection

### EBU

- Value Line, upflow only, R-22 only

### UNCASED A-COILS

#### EDA

- Upflow or downflow installation
- Available for R-410A or R-22 systems
- Available with industry exclusive tin coated copper main tubing for additional corrosion protection

#### EBA

- Value Line, upflow only, R-22 only



ARI Standard 210/240  
Unitary Air Conditioners



ARI Standard 210/240  
Unitary Heat Pumps



Rated in accordance with ARI Standard 210 and/or 240.  
Certification applies only when used with proper components as listed with ARI.

Available Styles	EDM	EDD	EDA	EBU	EBA
Cased	✓	✓		✓	
Uncased			✓		✓
Horizontal Flow	✓				
Upflow	✓	✓	✓	✓	✓
Downflow	✓	✓	✓		
R-410A	✓	✓	✓		
R-22	✓	✓	✓	✓	✓
Plain Tubes	✓	✓	✓	✓	✓
Tin Coated Tubes	✓	✓	✓		

**WARRANTY\***

	R-410A	R-22
	Parts Limited Warranty	Parts Limited Warranty
<b>EDM</b>	5 year – With timely registration, an additional 5 year.	5 Year
<b>EDD</b>	5 year – With timely registration, an additional 5 year.	5 Year
<b>EBU</b>	–	5 Year
<b>EDA</b>	5 year – With timely registration, an additional 5 year.	5 Year
<b>EBA</b>	–	5 Year

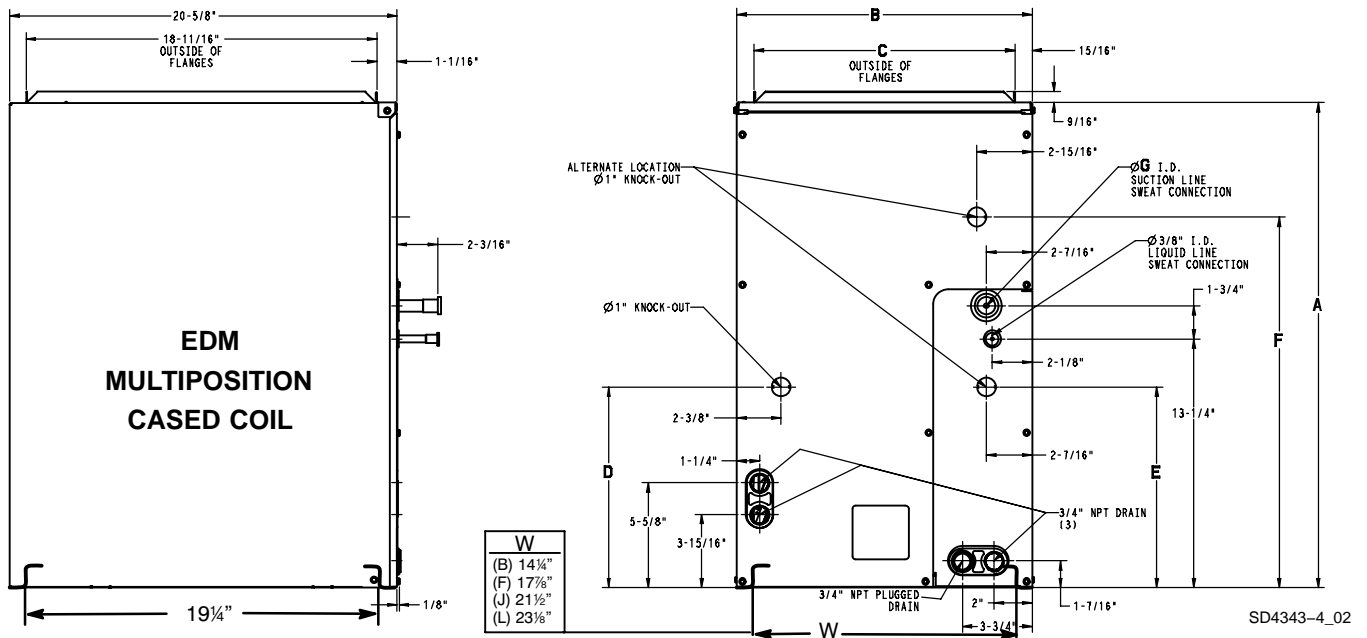
\* Applies to original purchaser/homeowner, some limitations may apply. See Warranty certificate for complete details.

**PHYSICAL DATA**

	Model Size							
	18	24	30	36	42	48F	48J, 48L	60
<b>TXV factory installed, hard shut-off, bi-flow type for heat pump application, non-adjustable superheat</b>								
R-22 TXV Size	3 ton				5 ton			6 ton
R-410A TXV Size	2 ton		3 ton	4 ton	5 ton			
TXV Connections	TXV-to-coil = Bolt-on 3/4-20 UNF straight thread (factory assembled)							
	field line set to TXV = 3/8" sweat (female)							
	equalizer-to-coil = brazed in (factory brazed)							
<b>Nominal Acceptable CFM Range</b>								
CFM – min	525	700	875	1050	1225	1400	1750	
CFM – max	625	900	1125	1350	1600	1800	2000	
<b>Coil Data (all coils 2 slab "A" configuration, lanced sine wave bare aluminum fin)</b>								
Face Area (ft <sup>2</sup> )	2.75	3.67	4.58	5.04	5.50	6.42	5.50	6.88
Each Slab H x W (in)	12 x 16½	16 x 16½	20 x 16½	22 x 16½	24 x 16½	28 x 16½	24 x 16½	30 x 16½
Fins Per Inch	17	17	16	15	15	12		13
<b>Refrigerant Line Connections (sweat)</b>								
Liquid (inch)	3/8	3/8	3/8	3/8	3/8	3/8		3/8
Suction (inch)	5/8	5/8	3/4	3/4	7/8	7/8		7/8

**ACCESSORIES**

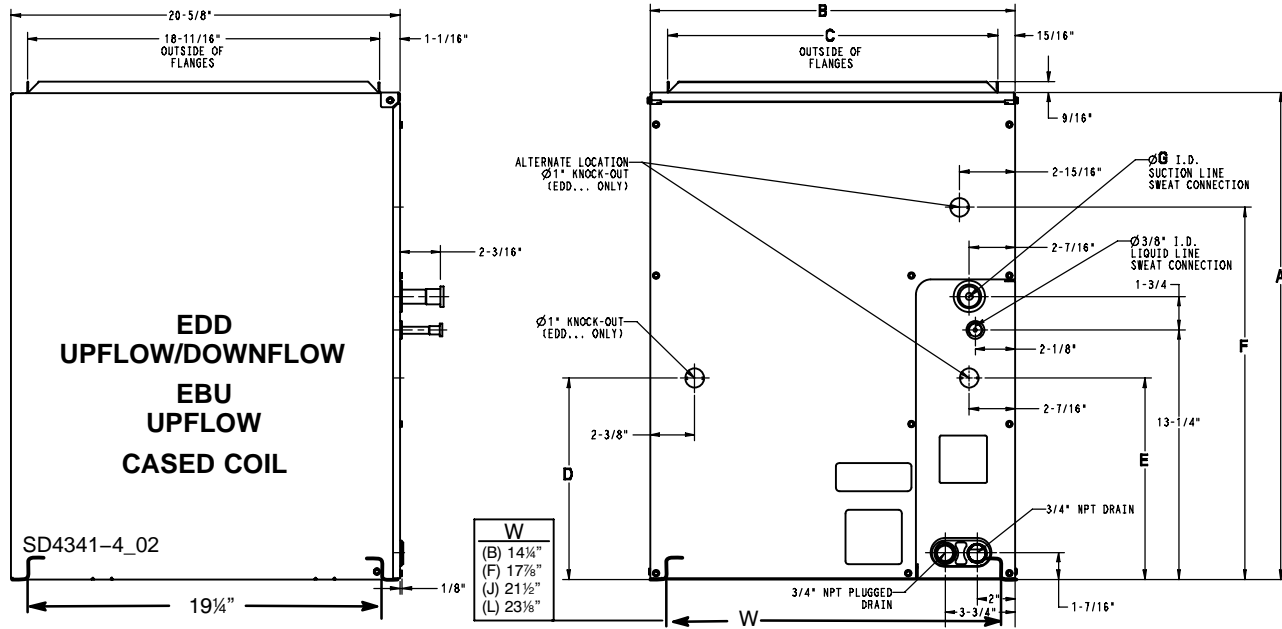
Description	Part Number	Use with models	
		EDA, EBA	EDM, EDD, EBU
Fossil Fuel Kit	AXWR01DFC	ALL	ALL
Sub-Base (use when cased coil is mounted beneath a downflow gas or oil furnace on a combustible floor)	NAHH004SB	–	B models (15¾" wide)
	NAHH005SB	–	F models (19⅜" wide)
	NAHH006SB	–	J models (23" wide)
	NAHH009SB	–	L models (24⅝" wide)
Coil Adapter for Downflow Furnaces (when used with multiposition furnace in downflow application)	NAHA001CA	–	ALL
PVC Condensate Trap Kit (box of 50)	EBAC01CTK	ALL	ALL



**DIMENSIONAL DATA – EDM (refer to drawing at top of chart)**

Model	Size (tons)	All Dimensions Inches									Shipping Weight (lbs)	
		A	B	C	D	E	F	G	A model	AT model		
EDM 4X 2X 18B A AT	1 1/2	25 7/8	15 5/8	13 7/8	10 1/16	10 1/16	-	5/8	54.0	55.5		
EDM 4X 2X 24B A AT	2	25 7/8	15 5/8	13 7/8	10 1/16	10 1/16	-	5/8	56.0	56.5		
EDM 4X 2X 24F A AT	2	25 7/8	19 1/4	17 1/2	10 1/16	10 1/16	-	5/8	59.5	60.0		
EDM 4X 2X 30B A AT	2 1/2	25 7/8	15 5/8	13 7/8	19 3/4	-	19 3/4	3/4	58.5	60.0		
EDM 4X 2X 30F A AT	2 1/2	29 3/4	19 1/4	17 1/2	10 1/16	-	19 3/4	3/4	62.0	64.0		
EDM 4X 2X 36B A AT	3	29 3/4	15 5/8	13 7/8	19 3/4	-	19 3/4	3/4	64.0	66.0		
EDM 4X 2X 36F A AT	3	29 3/4	19 1/4	17 1/2	19 3/4	-	19 3/4	3/4	69.5	72.5		
EDM 4X 2X 36J A AT	3	29 3/4	22 7/8	21 1/8	19 3/4	-	19 3/4	3/4	75.5	77.0		
EDM 4X 2X 42F A AT	3 1/2	29 3/4	19 1/4	17 1/2	19 3/4	-	19 3/4	7/8	75.0	77.0		
EDM 4X 2X 42J A AT	3 1/2	29 3/4	22 7/8	21 1/8	19 3/4	-	19 3/4	7/8	76.0	78.5		
EDM 4X 2X 42L A AT	3 1/2	29 3/4	24 1/2	22 3/4	19 3/4	-	19 3/4	7/8	77.5	80.5		
EDM 4X 2X 48F A AT	4	35	19 1/4	17 1/2	19 3/4	-	19 3/4	7/8	89.0	93.0		
EDM 4X 2X 48J A AT	4	29 3/4	22 7/8	21 1/8	19 3/4	-	19 3/4	7/8	83.0	86.0		
EDM 4X 2X 48L A AT	4	29 3/4	24 1/2	22 3/4	19 3/4	-	19 3/4	7/8	84.5	87.3		
EDM 4X 2X 60J A AT	5	35	22 7/8	21 1/8	19 3/4	-	19 3/4	7/8	88.0	91.0		
EDM 4X 2X 60L A AT	5	35	24 1/2	22 3/4	19 3/4	-	19 3/4	7/8	97.0	100.0		

Specifications subject to change without notice.

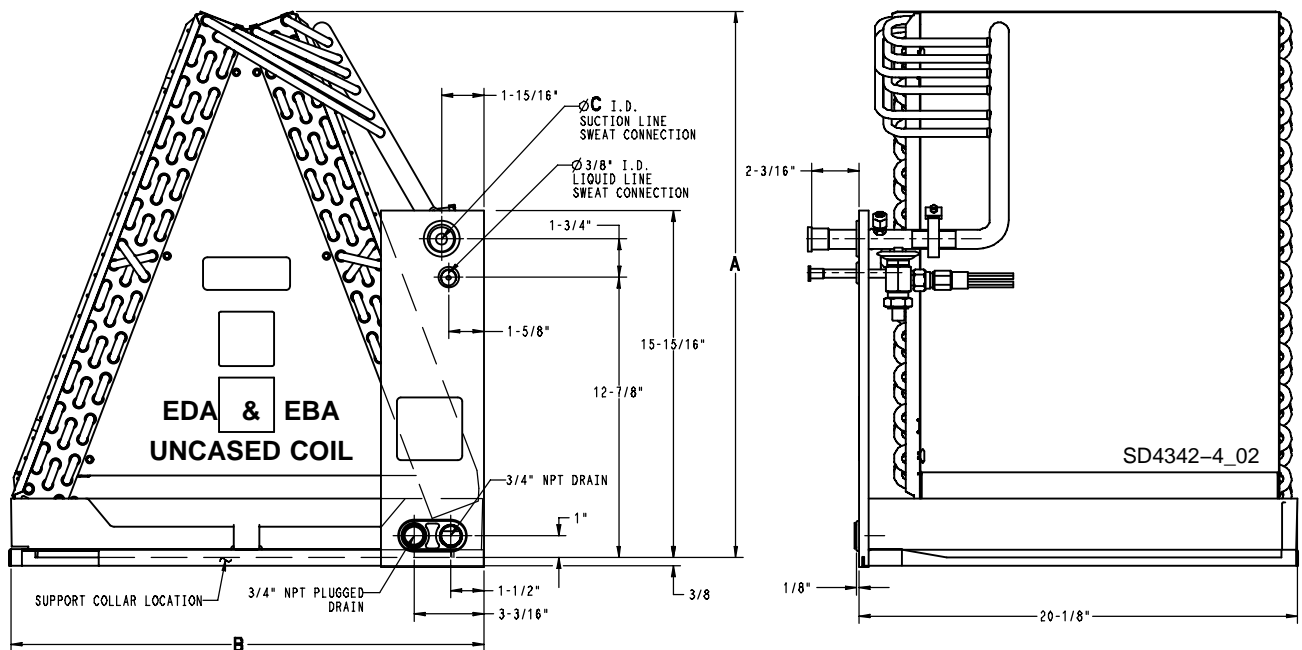


**DIMENSIONAL DATA – EDD, EBU (refer to drawing at top of chart)**

Model	Size (tons)	All Dimensions Inches								Shipping Weight (lbs)	
		A	B	C	D	E	F	G	A model	AT model	
EDD 2X 18B A 4X 18B AT	1 1/2	18 5/16	15 5/8	13 7/8	10 11/16	10 11/16	-	5/8	38.5	40.5	
EBU 2X 18B A											
EDD 2X 24B A 4X 24B AT	2	19 9/16	15 5/8	13 7/8	10 11/16	10 11/16	-	5/8	43.0	45.0	
EBU 2X 24B A											
EDD 2X 24F A 4X 24F AT	2	19 9/16	19 1/4	17 1/2	10 11/16	10 11/16	-	5/8	46.0	48.0	
EBU 2X 24F A											
EDD 2X 30B A 4X 30B AT	2 1/2	23 11/16	15 5/8	13 7/8	19 3/4	-	19 3/4	3/4	49.5	52.0	
EBU 2X 30B A											
EDD 2X 30F A 4X 30F AT	2 1/2	23 11/16	19 1/4	17 1/2	19 3/4	-	19 3/4	3/4	56.0	58.5	
EBU 2X 30F A											
EDD 2X 36B A 4X 36B AT	3	25 13/16	15 5/8	13 7/8	10 11/16	-	19 3/4	3/4	57.0	59.5	
EBU 2X 36B A											
EDD 2X 36F A 4X 36F AT	3	25 13/16	19 1/4	17 1/2	10 11/16	-	19 3/4	3/4	58.5	61.0	
EBU 2X 36F A											
EDD 2X 36J A 4X 36J AT	3	25 13/16	22 7/8	21 1/8	19 3/4	-	19 3/4	3/4	61.0	63.5	
EBU 2X 36J A											
EDD 2X 42F A 4X 42F AT	3 1/2	27 9/16	19 1/4	17 1/2	19 3/4	-	19 3/4	7/8	67.5	70.0	
EBU 2X 42F A											
EDD 2X 42J A 4X 42J AT	3 1/2	27 9/16	22 7/8	21 1/8	19 3/4	-	19 3/4	7/8	65.0	67.5	
EBU 2X 42J A											

(continued on next page)

DIMENSIONAL DATA (continued) – EDD, EBU (refer to drawing at top of chart)												
Model	Size (tons)	All Dimensions Inches									Shipping Weight (lbs)	
		A	B	C	D	E	F	G	A model	AT model		
EDD 2X 42L A	3½	27 <sup>9</sup> / <sub>16</sub>	24½	22¾	19¾	–	19¾	7/8	67.5	70.0	A	AT
EDD 4X 42L AT												
EDD 2X 48F A	4	33 <sup>5</sup> / <sub>16</sub>	19¼	17½	19¾	–	19¾	7/8	73.0	76.0	A	AT
EDD 4X 48F AT												
EDD 2X 48J A	4	27 <sup>9</sup> / <sub>16</sub>	22 <sup>7</sup> / <sub>8</sub>	21 <sup>1</sup> / <sub>8</sub>	19¾	–	19¾	7/8	76.0	79.0	A	AT
EDD 4X 48J AT												
EDD 2X 48L A	4	27 <sup>9</sup> / <sub>16</sub>	24½	22¾	19¾	–	19¾	7/8	83.0	86.0	A	AT
EDD 4X 48L AT												
EDD 2X 60J A	5	33 <sup>5</sup> / <sub>16</sub>	22 <sup>7</sup> / <sub>8</sub>	21 <sup>1</sup> / <sub>8</sub>	19¾	–	19¾	7/8	88.0	91.0	A	AT
EDD 4X 60J AT												
EDD 2X 60L A	5	33 <sup>5</sup> / <sub>16</sub>	24½	22¾	19¾	–	19¾	7/8	93.0	96.0	A	AT
EDD 4X 60L AT												
EDD 2X 60L A	5	33 <sup>5</sup> / <sub>16</sub>	24½	22¾	19¾	–	19¾	7/8	93.0	96.0	A	AT
EDD 4X 60L AT												



DIMENSIONAL DATA – EDA, EBA (refer to drawing at top of chart)						
Model	Size (tons)	All Dimensions Inches			Shipping Weight (lbs)	
		A	B	C	A model	AT model
EDA 4X 18B A	1½	13 <sup>3</sup> / <sub>8</sub>	14 <sup>7</sup> / <sub>16</sub>	5/8	24.5	25.5
EDA 2X 18B AT						
EDA 4X 24B A	2	17 <sup>9</sup> / <sub>16</sub>	14 <sup>7</sup> / <sub>16</sub>	5/8	29.0	30.0
EDA 2X 24B AT						
EBA 2X 18B A	2	17 <sup>9</sup> / <sub>16</sub>	14 <sup>7</sup> / <sub>16</sub>	5/8	29.0	30.0
EBA 2X 24B A						

(continued on next page)

Specifications subject to change without notice.

DIMENSIONAL DATA (continued) – EDA, EBA (refer to drawing at top of chart)									
Model				Size (tons)	All Dimensions Inches			Shipping Weight (lbs)	
					A	B	C	A model	AT model
EDA	4X	24F	A	2	16 <sup>15</sup> / <sub>16</sub>	18 <sup>1</sup> / <sub>16</sub>	5/8	30.0	31.0
	2X	A	AT						
EBA	2X	24F	A						
EDA	4X	30B	A	2½	21¾	14 <sup>7</sup> / <sub>16</sub>	¾	32.0	33.0
	2X	A	AT						
EBA	2X	30B	A						
EDA	4X	30F	A	2½	21 <sup>3</sup> / <sub>16</sub>	18 <sup>1</sup> / <sub>16</sub>	¾	34.5	35.4
	2X	A	AT						
EBA	2X	30F	A						
EDA	4X	36B	A	3	23¾	14 <sup>7</sup> / <sub>16</sub>	¾	35.0	36.0
	2X	A	AT						
EBA	2X	36B	A						
EDA	4X	36F	A	3	23¾	18 <sup>1</sup> / <sub>16</sub>	¾	37.5	39.5
	2X	A	AT						
EBA	2X	36F	A						
EDA	4X	36J	A	3	22 <sup>5</sup> / <sub>8</sub>	21 <sup>11</sup> / <sub>16</sub>	¾	38.0	40.0
	2X	A	AT						
EBA	2X	36J	A						
EDA	4X	42F	A	3½	25 <sup>5</sup> / <sub>16</sub>	18 <sup>1</sup> / <sub>16</sub>	7/8	40.5	42.5
	2X	A	AT						
EBA	2X	42F	A						
EDA	4X	42J	A	3½	24¾	21 <sup>11</sup> / <sub>16</sub>	7/8	40.5	42.5
	2X	A	AT						
EBA	2X	42J	A						
EDA	4X	42L	A	3½	24½	23 <sup>5</sup> / <sub>16</sub>	7/8	42.5	45.0
	2X	A	AT						
EBA	2X	42L	A						
EDA	4X	48F	A	4	29 <sup>11</sup> / <sub>16</sub>	18 <sup>1</sup> / <sub>16</sub>	7/8	50.0	53.0
	2X	A	AT						
EBA	2X	48F	A						
EDA	4X	48J	A	4	25 <sup>1</sup> / <sub>16</sub>	21 <sup>11</sup> / <sub>16</sub>	7/8	52.0	55.0
	2X	A	AT						
EBA	2X	48J	A						
EDA	4X	48L	A	4	24 <sup>13</sup> / <sub>16</sub>	23 <sup>5</sup> / <sub>16</sub>	7/8	55.0	58.0
	2X	A	AT						
EBA	2X	48L	A						
EDA	2X	60J	A	5	31 <sup>5</sup> / <sub>16</sub>	21 <sup>11</sup> / <sub>16</sub>	7/8	58.5	61.5
	4X	A	AT						
EBA	2X	60J	A						
EDA	2X	60L	A	5	31 <sup>1</sup> / <sub>16</sub>	23 <sup>5</sup> / <sub>16</sub>	7/8	62.0	65.0
	4X	A	AT						
EBA	2X	60L	A						

Static Pressure Drop Across Coil at a Given CFM							
Coil Size	CFM Across Coil	Static Pressure Drop Across Coil (Inches Water Column)		Coil Size	CFM Across Coil	Static Pressure Drop Across Coil (Inches Water Column)	
		Dry	Wet			Dry	Wet
18B 1½ tons	500	0.096	0.106	42J 3½ tons	1200	0.129	0.137
	600	0.127	0.140		1300	0.148	0.159
	700	0.161	0.183		1400	0.168	0.180
24B 2 tons	700	0.134	0.141		1500	0.189	0.203
	800	0.166	0.176		1600	0.211	0.228
	900	0.200	0.215	42L 3½ tons	1200	0.114	0.142
24F 2 tons	700	0.110	0.118		1300	0.130	0.161
	800	0.134	0.146		1400	0.146	0.182
	900	0.160	0.176		1500	0.164	0.202
30B 2½ tons	800	0.137	0.143		1600	0.182	0.222
	900	0.169	0.174	48F 4 tons	1400	0.250	0.263
	1000	0.204	0.211		1500	0.284	0.297
	1100	0.241	0.251		1600	0.320	0.336
30F 2½ tons	800	0.101	0.106		1700	0.358	0.376
	900	0.121	0.129		1800	0.398	0.418
	1000	0.143	0.154	48J 4 tons	1400	0.192	0.196
1100	0.168	0.181	1500		0.219	0.225	
36B 3 tons	1000	0.188	0.202		1600	0.245	0.253
	1100	0.224	0.240		1700	0.273	0.283
	1200	0.262	0.281	1800	0.303	0.314	
	1300	0.303	0.325	48L 4 tons	1400	0.180	0.193
	1400	0.349	0.374		1500	0.198	0.214
36F 3 tons	1000	0.133	0.139		1600	0.222	0.241
	1100	0.154	0.163		1700	0.247	0.270
	1200	0.177	0.189		1800	0.275	0.296
	1300	0.203	0.216	60J 5 tons	1700	0.260	0.285
	1400	0.227	0.245		1800	0.288	0.315
36J 3 tons	1000	0.104	0.106		1900	0.316	0.346
	1100	0.121	0.124	2000	0.347	0.381	
	1200	0.139	0.144	60L 5 tons	1700	0.232	0.263
	1300	0.159	0.166		1800	0.256	0.291
	1400	0.181	0.190		1900	0.283	0.321
42F 3½ tons	1200	0.180	0.208		2000	0.308	0.354
	1300	0.201	0.231				
	1400	0.228	0.275				
	1500	0.267	0.314				
	1600	0.291	0.348				

<b>COIL MODEL NUMBER IDENTIFICATION GUIDE</b>									
	<b>E</b>	<b>D</b>	<b>M</b>	<b>2</b>	<b>X</b>	<b>18</b>	<b>B</b>	<b>A</b>	<b>1</b>
E = Evaporator									
D = Deluxe									
B = Builder (Value Line)									
<b>TYPE</b>									
M = Cased, Multiposition									
D = Cased Upflow / Downflow									
U = Cased Upflow Only									
A = Uncased									
<b>APPLICATION</b>									
2 = R-22									
4 = Environmentally Sound R-410A									
<b>REFRIGERANT</b>									
X = TXV									
<b>METERING DEVICE</b>									
18 = 18,000 BTUH = 1½ tons									
24 = 24,000 BTUH = 2 tons									
30 = 30,000 BTUH = 2½ tons									
36 = 36,000 BTUH = 3 tons									
42 = 42,000 BTUH = 3½ tons									
48 = 48,000 BTUH = 4 tons									
60 = 60,000 BTUH = 5 tons									
<b>NOMINAL CAPACITY</b>									
B = 15.5"									
F = 19.1"									
J = 22.8"									
L = 24.5"									
<b>WIDTH (matches furnace)</b>									
A = Standard									
AT = Tin Coated Copper Tubes for Additional Corrosion Protection									
<b>SALES CODE / FEATURES</b>									
Engineering Revision									