

5

4

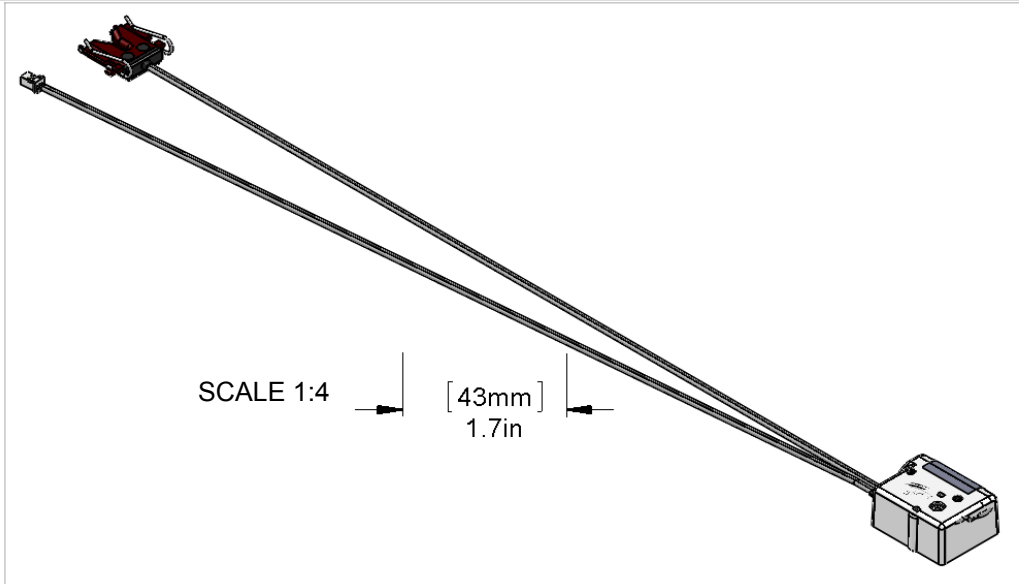
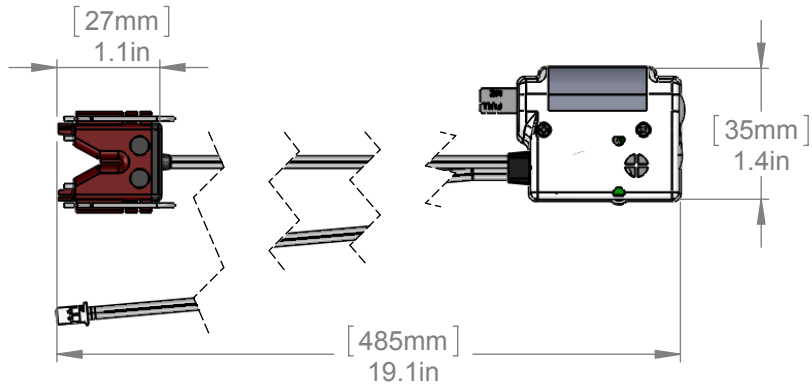
3

2

1

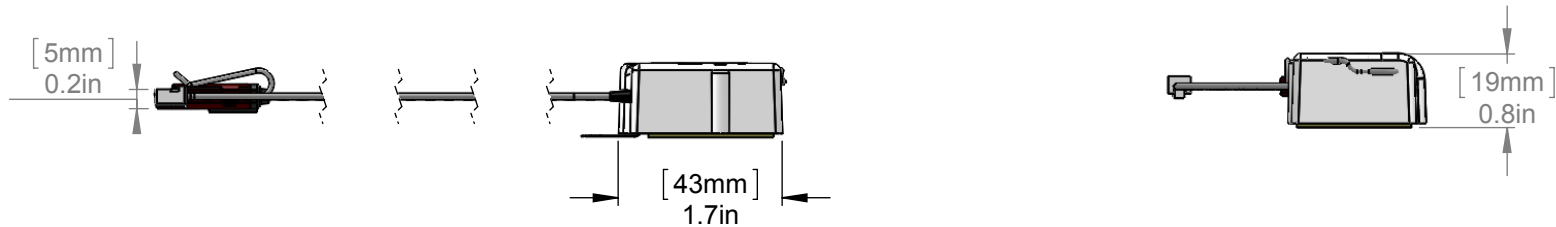
C

C



B

B



NOTES:
CONTAINS A 3V LITHIUM BATTERY
PLEASE DISPOSE OF PROPERLY

ENGINEERING	NAME	DATE
DRAWN BY ENG.	DS	2/22/12
CHECKED BY ENG.	JK	2/22/12
ENG APPR.	CC	2/22/12
MFG APPR.	CC	2/22/12

RESOURCE
CONSERVATION TECHNOLOGIES
64208 PARKLAND DRIVE SUITE 102
SARASOTA, FL 34243 888-708-6622

UNLESS OTHERWISE SPECIFIED:

PROPRIETARY AND CONFIDENTIAL

DIMENSIONS ARE IN INCHES
TOLERANCES:
FRACTIONAL ±.032
ANGULAR: MACH ± .5° BEND ±2°
TWO PLACE DECIMAL ± .010
THREE PLACE DECIMAL ± .005

THE INFORMATION CONTAINED IN THIS DRAWING IS THE SOLE PROPERTY OF RESOURCE CONSERVATION TECHNOLOGIES, INC. ANY REPRODUCTION IN PART OR AS A WHOLE WITHOUT THE WRITTEN PERMISSION OF RESOURCE CONSERVATION TECHNOLOGIES IS PROHIBITED.

INTERPRET GEOMETRIC TOLERANCING PER: ANSI Y14.5, 1994

TITLE:

AG-9300-MIT SPECIFICATION SHEET

SIZE
A

SCALE: 1:2

SHEET 1 OF 1

5

4

3

2

1

A