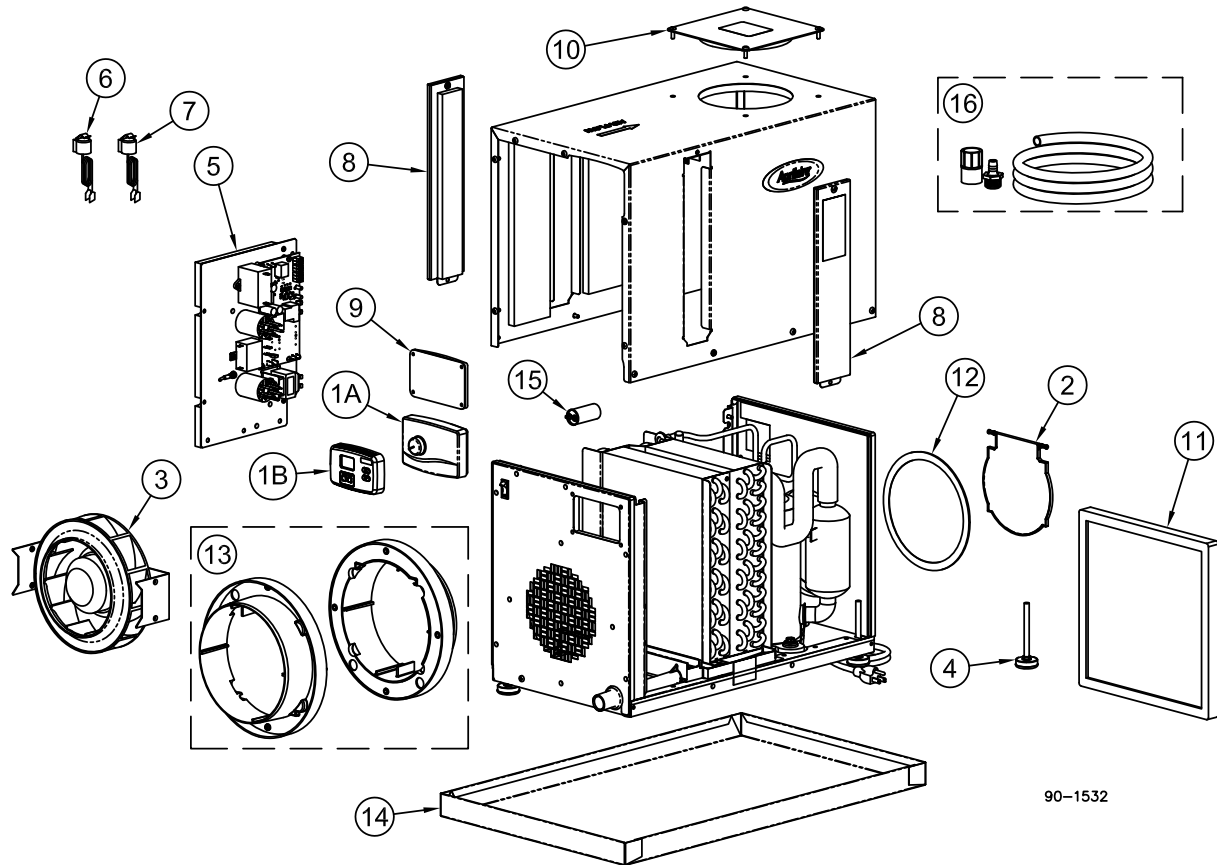


DEALER PARTS LIST

Model 1730A with R410A

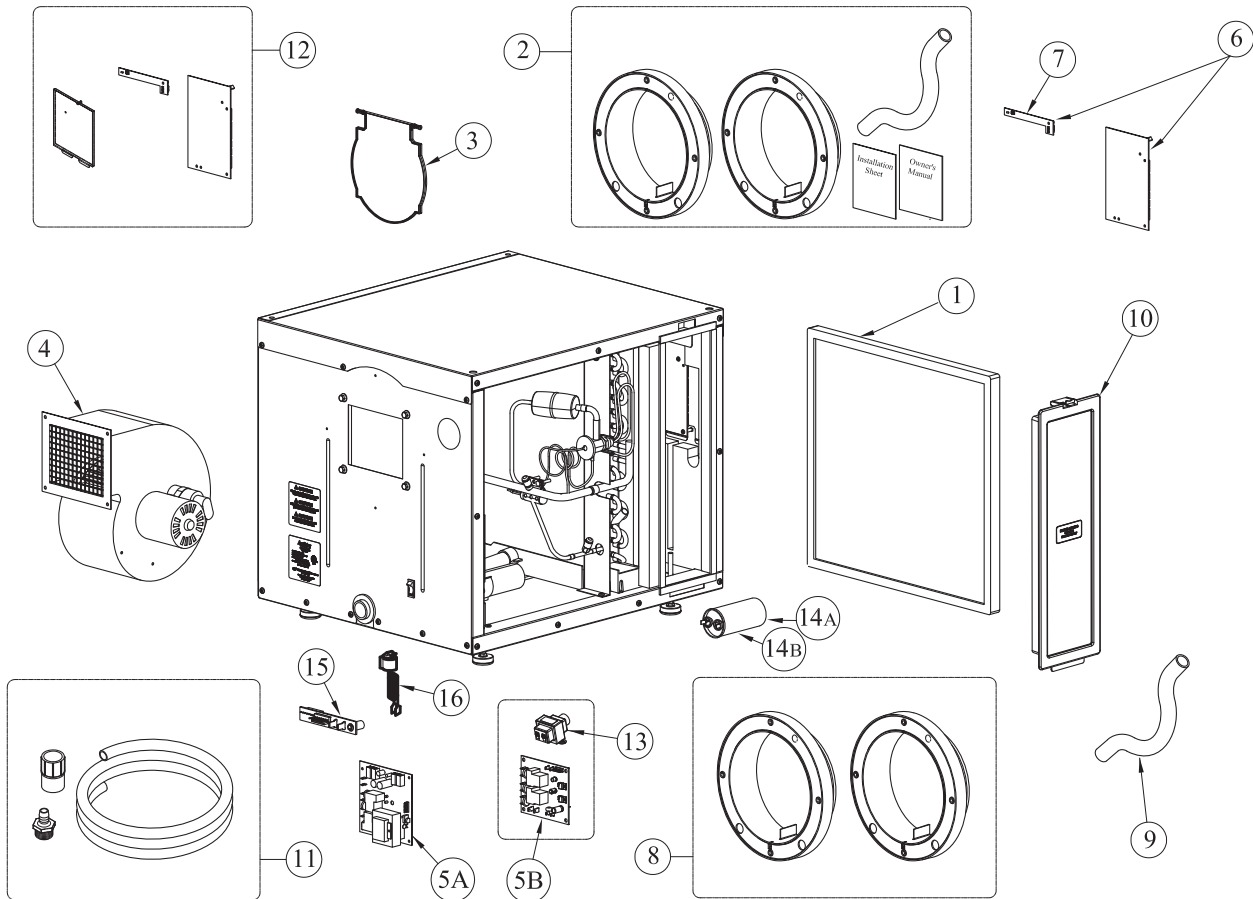


90-1532

NO.	PART DESCRIPTION	QTY/CTN	PART NO.
1A	Dehumidistat Control Assembly	1	4917
1B	Digital Dehumidifier Control	1	76
2	Backflow Damper	1	4918
3A	Impeller with Bracket (Blower Assembly)(Model 1730A Serial No. before 132012A59912)	1	4919
3B	Impeller with Bracket (Blower Assembly)(Model 1730A Serial No. 132012A59912 or later)	1	5332
4	Leveling Foot	1	4920
5A	Control PCB Assembly(Model 1730A Serial No. before 132012A59912)	1	4923
5B	Control PCB Assembly(Model 1730A Serial No. 132012A59912 or later)	1	5329
6	High Temperature Cutout Switch	1	4924
7	Low Temperature Cutout Switch	1	4925
8	Filter Access Door Assembly	1	4926
9	Dehumidistat Hole Cover	1	4927
10	Outlet Cover Plate	1	4928
11	Air Filter	1	4904
12	Inlet/Outlet Screen	1	4930
13	Duct Collars	2	4751
14	Auxiliary drain pan	1	4911
15	Capacitor, 55MF	1	4922
16	Compressor Overload Switch	1	5324
OTHER PARTS - NOT INCLUDED			
17	Condensate Drain Hose Assembly	1	4863
	Low Profile Condensate Pump (Condensate pump with 20' condensate hose)	1	4856
	Living Space Duct Kit (25' of 8" insulated flex duct with 2 quick install grilles)	1	4857

DEALER PARTS LIST DEHUMIDIFIERS

Model 1710A/1750A/1770A



90-1531

NO.	PART DESCRIPTION	QTY/CTN	Model 1710A/1750A/1770A		Model 1700/1710/1720/1750/1770	
			PART NO.	PART NO.	PART NO.	PART NO.
1	Filter	1	4510			4510
2	Drain Trap/Collars/Manual	1	4843			4843
3	Backflow Damper*	1	4918			4918
4	Blower/Motor Assembly, 1710A/1750A and 1700/1710/1750	1	4515			4515
	Blower/Motor Assembly, 1770A and 1720/1770	1	4646			4646
5A	Power Supply Board		See Table 1 on Page 3			4517
5B	Power Supply Board (new style without integrated transformer)***					N/A
6A	Control Board Kit (includes control board and sensor board)		See Table 2 on Page 3			
6B	Control Board Kit, Compatible with Model 76 Control (includes control board and sensor board)		See Table 2 on Page 3			
7	Sensor Board	1	4752			4752
8	Duct Collars	2	4751			4751
9	Drain Trap and PVC Elbow	1	4842			4842
10	Filter Door**	1	4861			N/A
11	Condensate Drain Hose Assembly (included with Model 1710A only)	1	4863			N/A
12	LED Control Door	1	4864			4864
13	10 VA Transformer	1	5262			5262
14A	Capacitor, 60MF (Model 1770A only)	1	5255			N/A
14B	Capacitor, 55MF	1	4922			N/A
15	Daughter Board	1	5264			N/A
16	High Temperature Cutout Switch	1	4924			N/A
17A	Compressor Overload Switch, 1710A/1750A	1	5324			N/A
17B	Compressor Overload Switch, 1770A	1	5325			N/A
OTHER PARTS						
	External Control		See Table 3 on Page 3			70
	Convertible Installation Kit (2-N/O 8" Damper, 2-N/C 8" Damper and Transformer)	1	4522			4522
	Distributor and nozzle, 1710A/1750A	1	4903			N/A
	Low Profile Condensate Pump (condensate pump with 20' condensate hose)	1	4856			4856
	Living Space Duct Kit (25' of 8" insulated flex duct with 2 quick install grilles)	1	4857			4857

*The backflow damper (Part No. 4918) is compatible with all Models 1730A, 1770A, but only with Model 1750A with Serial Numbers greater than 2610AA147015.

** Part 4861 is the blue/gray door; the almond colored doors are no longer available.

***Compatible with 4518 Control Board with DH terminal.

Table 1: Power Supply Board Part Number Models 1710A, 1750A & 1770A				
NO.	PART DESCRIPTION	Compatible With	QTY/CTN	PART NO.
5A	Power Supply Board	Control Board without DH Terminal	1	4517
5B	Power Supply Board (new style without integrated transformer)	Control Board with DH Terminal ¹	1	5260

¹ DH Terminal implemented on all units with Serial Number 4610AAXXXXXX or later.

Table 2: Control board Kit Part Number (dependent upon method of control)				
NO.	PART DESCRIPTION	Compatible With	QTY/CTN	PART NO.
6A	Control Board Kit	Model 70	1	4518
6B	Control Board Kit	No External Control	1	5353
6B	Control Board Kit	Models 75 or 76	1	5353

Table 3: External Control Part Number				
	PART DESCRIPTION	Compatible With	QTY/CTN	PART NO.
Other Parts	External Control	Control Board with DH Terminal ¹	1	76
Other Parts	External Control	Control Board without DH Terminal	1	70

¹ DH Terminal implemented on all units with Serial Number 4610AAXXXXXX or later.

