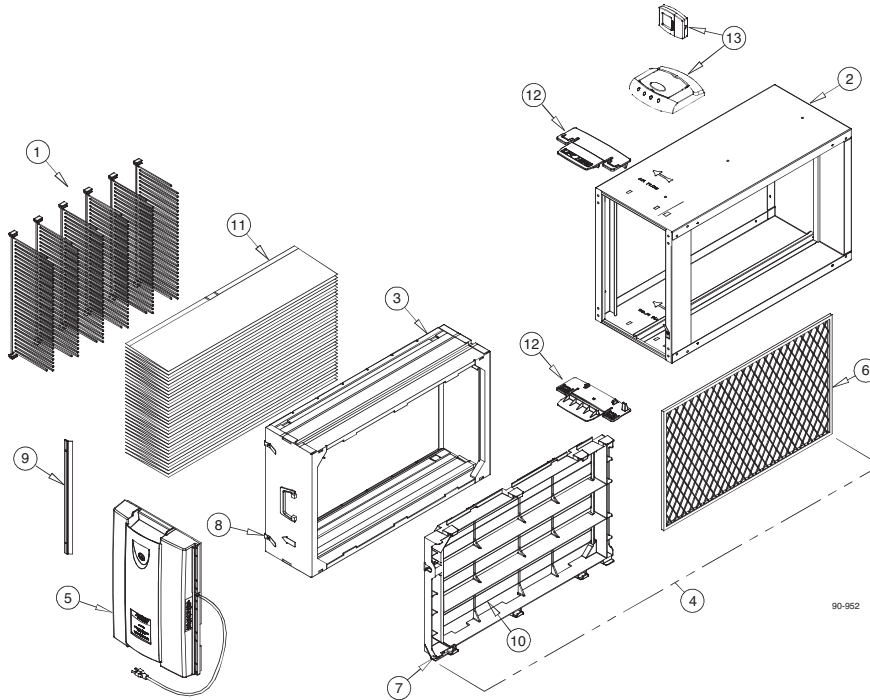


## Air Cleaners Dealer Parts List

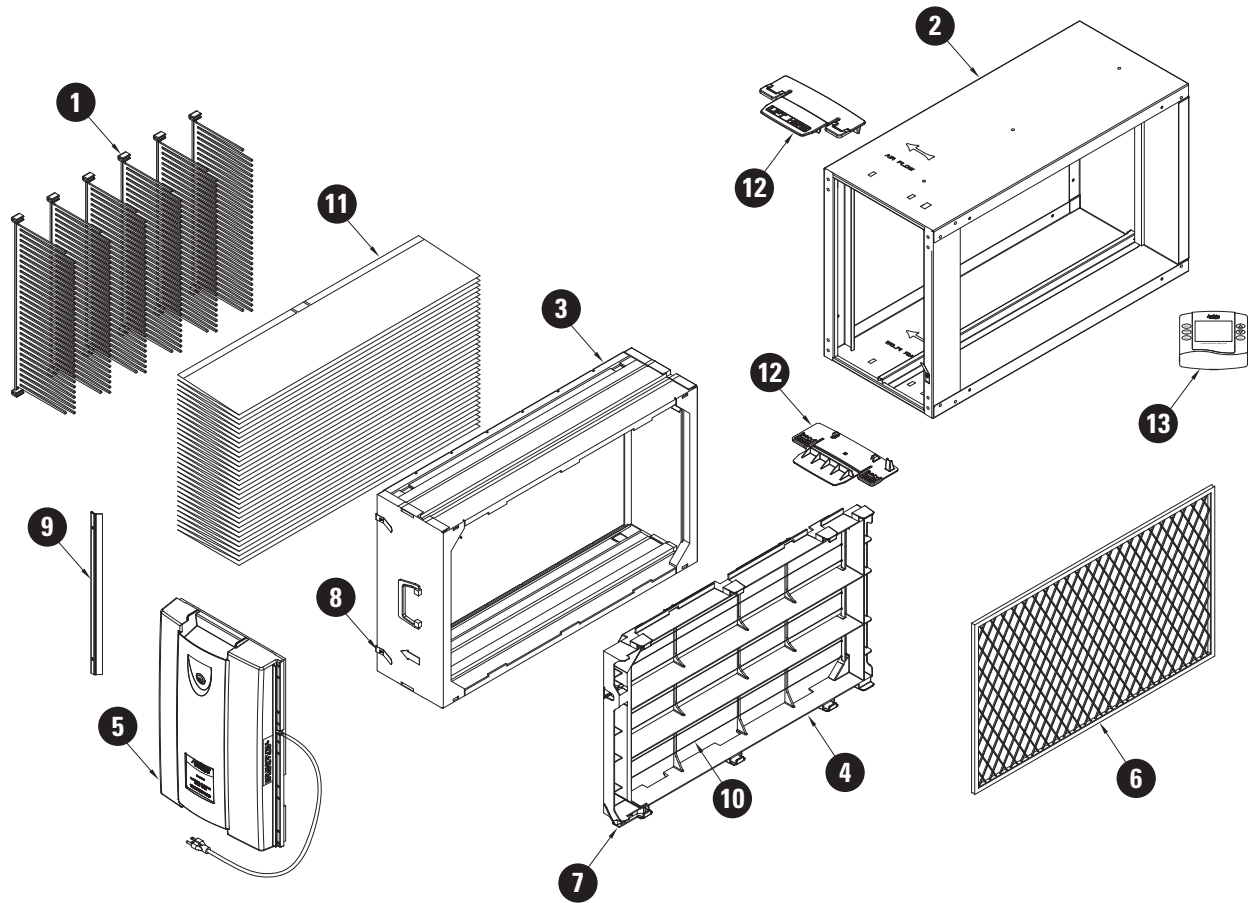
### Aprilaire® Model 5000 Air Cleaner



NO.	PART NAME	Release Date May 2005		Release Date Prior May 2005	
		QTY/CTN	PART NO.	QTY/CTN	PART NO.
1	Pleat Spacer	6	4270	6	4270
2	Outer Housing - Almond	1	4597	1	4307
2	Outer Housing - Gray	1	4826	N/A	N/A
3	Inner Housing with Seals (Includes 6 Pleat Spacers)	1	4308	1	4308
4	Ionizer Frame Assembly (Includes 9 (4602) ionizing wires, 1 (4311) control electrode and 1 (4599) ground contact )	1	4598	1	4598
5	Power Pack/Door Assembly (Almond is obsolete, only available in Gray)	Obsolete*		1	4310
5	PowerPack/Door Assembly - Gray (Release Date July 2008)	1	4827	N/A	N/A
6	Control Electrode	1	4311	1	4311
7	Ground Contact	1	4599	1	4599
8	Media Ground Contact	2	4313	2	4313
9	Media Ground Assembly	1	4314	1	4314
10	Ionizer Wire - used with Almond Ionizing Frame	3	4602	N/A	N/A
10	Ionizer Wire - used with Gray Ionizing Frame	N/A	N/A	3	4315
11	Media (Individually Packaged)	10	501	10	501
12	Door Latch Replacement Kit	1	5268	1	4600
13	Air Cleaner Control & LED Base	1	4838	N/A	N/A
<b>OTHER PARTS</b>					
	Seal Kit	1	4704	1	4704

\*Replaced by Part No. 4827

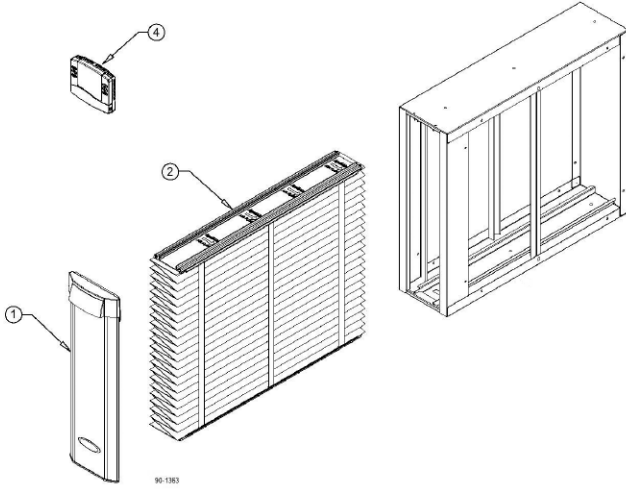
## Aprilaire® Model 5000 Air Cleaner (After April 2014)



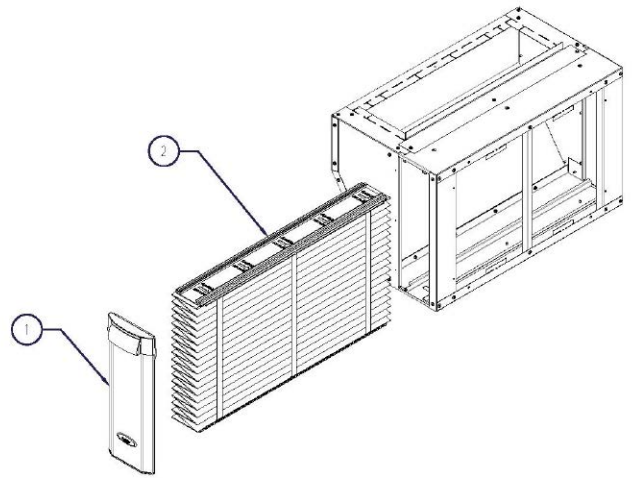
NO.	PART NAME	Release Date April 2014	
		QTY/CTN	PART NO.
1	Pleat Spacer	6	4270
2	Outer Housing - Almond	1	4597
2	Outer Housing - Gray	1	4826
3	Inner Housing with Seals (Includes 6 Pleat Spacers)	1	4308
4	Ionizer Frame Assembly	1	4598
5	PowerPack/Door Assembly - Gray (Release Date July 2008)	1	4827
6	Control Electrode	1	4311
7	Ground Contact	1	4599
8	Media Ground Contact	2	4313
9	Media Ground Assembly	1	4314
10	Ionizer Wire - used with Almond Ionizing Frame	3	4602
10	Ionizer Wire - used with Gray Ionizing Frame	3	4315
11	Media (Individually Packaged)	10	501
12	Door Latch Replacement Kit	1	5268
13	Universal Programmable Thermostat with Event-Based Air Cleaning	10**	8476
<b>OTHER PARTS</b>			
	Seal Kit	1	4704

\*\* Sold In Carton Quantities Only

## Aprilaire® Series 1000, 2000 and 3000 Air Cleaner



For All Other Models



For Model 1610 Only

### Aprilaire® Model 3210/3310/3410

NO.	PART NAME	QTY/CTN	Model	Model	Model
			3210	3310	3410
			PART NO.	PART NO.	PART NO.
1	Replacement Door	1	4867	4962	4868
2	Aprilaire Replacement Media - MERV 13	8	213	313	413
2	Aprilaire Replacement Media - MERV 11	8	210	310	410
4	Universal Programmable Thermostat with Event-Based Air Cleaning	10**	8476	8476	8476

### Aprilaire® Model 2210/2310/2410

NO.	PART NAME	QTY/CTN	Model	Model	Model
			2210	2310	2410
			PART NO.	PART NO.	PART NO.
1	Replacement Door	1	4867	4962	4868
2	Aprilaire Replacement Media - MERV 13	8	213	313	413
2	Aprilaire Replacement Media - MERV 11	8	210	310	410

### Aprilaire® Model 1110/1210/1310

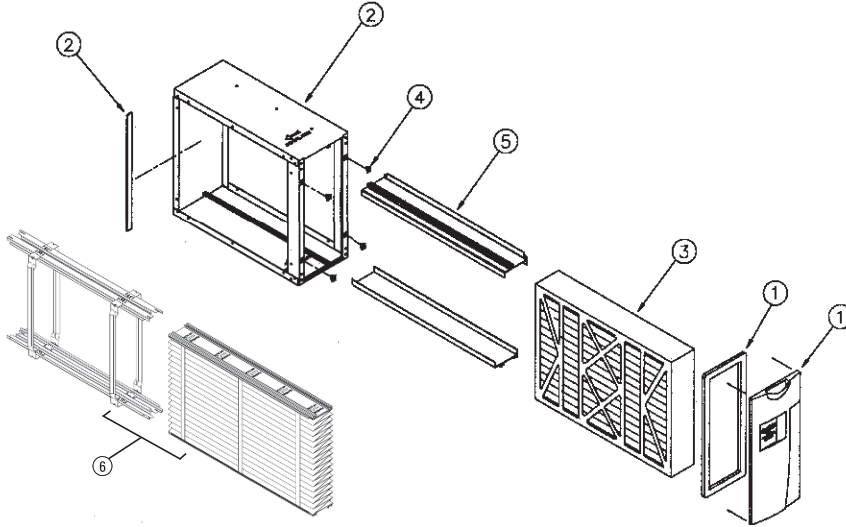
NO.	PART NAME	QTY/CTN	Model	Model	Model
			1110	1210	1310
			PART NO.	PART NO.	PART NO.
1	Replacement Door	1	4054	4867	4962
2	Aprilaire Replacement Media - MERV 13	8	113	213	313
2	Aprilaire Replacement Media - MERV 11	8	110	210	310

### Aprilaire® Model 1410/1510/1610

NO.	PART NAME	QTY/CTN	Model	Model	Model
			1410	1510	1610
			PART NO.	PART NO.	PART NO.
1	Replacement Door	1	4868	5424	4868
2	Aprilaire Replacement Media - MERV 13	8	413	513	413
2	Aprilaire Replacement Media - MERV 11	8	410	510	410

\*\*Sold in Carton Quantities Only

## Aprilaire® Model 2120<sup>1</sup>/2140<sup>1</sup> Air Cleaners



NO.	PART NAME	QTY/CTN	Model 2120	Model 2140
			PART NO.	PART NO.
1	Door (Obsolete <sup>2</sup> )	1	4623	4624
2	Outer Housing	N/A	N/A	N/A
3	Filter Cartridge (Obsolete <sup>3</sup> )	5	102	104
4	Latches	4	4349	4349
5	Cartridge Channels	1	Obsolete	4635 <sup>4</sup>
6	Upgrade Kit	6	1213	1413
<b>OTHER PARTS</b>				
	Styrofoam Door Seal for Upgrade Kit 1213	20	4895	N/A
	Styrofoam Door Seal for Upgrade Kit 1413	20	N/A	4896

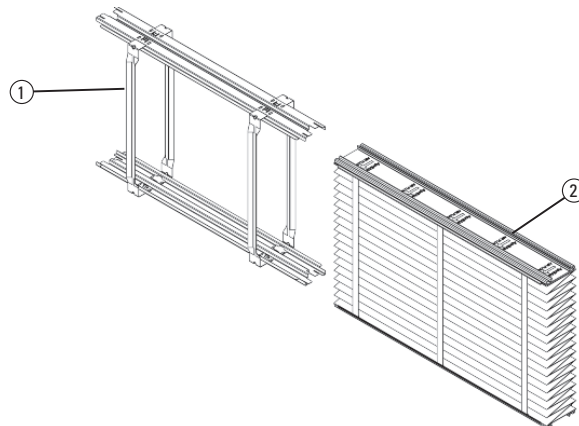
<sup>1</sup> Full units no longer available, parts only.

<sup>2</sup> Replaced by Part No. 4347 Plastic Door w/Seal - Almond

<sup>3</sup> Replaced by Part No. 1413 Upgrade Kit

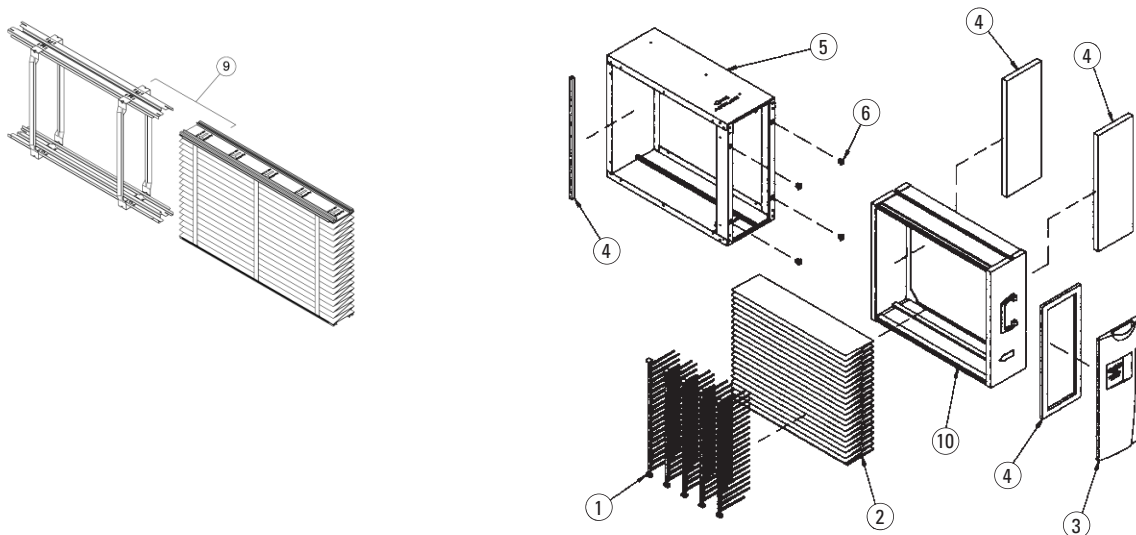
<sup>4</sup> Each Carton

### Competitive Upgrade Kits



	PART NAME	QTY/CTN	PART NO.
1	Conversion Frame	1	4897
2	610 Media, 16" x 25" Merv 11	1	610
2	613 Media, 16" x 25" Merv 13	1	613
2	810 Media, 20" x 25" Merv 11	1	810
2	813 Media, 20" x 25" Merv 13	1	813

## Aprilaire® Model 2200<sup>1</sup>/2400<sup>1</sup> Air Cleaners



### Aprilaire® Model 2200<sup>1</sup> Air Cleaners

NO.	PART NAME	Release Date May 2002		Release Date Prior May 2002	
		QTY/CTN	PART NO.	QTY/CTN	PART NO.
1	Pleat Spacer	5	4119	5	4119
2	Media	10	201	10	201
3	Plastic Door with Seal - Almond	1	4344	Obsolete <sup>6</sup>	
	Plastic Door with Seal - Grey	1	4822	N/A	N/A
4	Seal Kit	1	4725	1	4725
5	Outer Housing	N/A	N/A	N/A	N/A
6	Latches	4	4349	N/A	N/A
<b>OTHER PARTS</b>					
9	Media Upgrade Kit	6	1213	6	1213
10	Plastic Inner Housing w/Seals (4114)	Obsolete - Please see Part No. 1213, Media Upgrade Kit <sup>5</sup>			
	Door Retainer and Spacers (Screw-In)	1	4208	1	4208
	Door Retainer and Spacers (Snap-In)	N/A	N/A	Obsolete <sup>6</sup>	
	Styrofoam Door Seal for Upgrade Kit 1213	20	4895	N/A	N/A
	Holding Brackets	2	4121	2	4121
	Seal for Metal Door	1	4210	1	4210
	Control Upgrade Kit	1	4838	1	4838

### Aprilaire® Model 2400<sup>1</sup> Air Cleaners

NO.	PART NAME	Release Date May 2002		Release Date Prior May 2002	
		QTY/CTN	PART NO.	QTY/CTN	PART NO.
1	Pleat Spacer	6	4270	6	4270
2	Media	10	401	10	401
3	Plastic Door with Seal - Almond	1	4347	Obsolete <sup>6</sup>	
	Plastic Door with Seal - Grey	1	4824	N/A	N/A
4	Seal Kit	1	4724	1	4724
5	Outer Housing	N/A	N/A	N/A	N/A
6	Latches	4	4349	N/A	N/A
<b>OTHER PARTS</b>					
9	Media Upgrade Kit	6	1413	6	1413
10	Plastic Inner Housing w/Seals (4272)	Obsolete - Please see Part No. 1413, Media Upgrade Kit <sup>7</sup>			
	Styrofoam Door Seal for Upgrade Kit 1413	20	4896	N/A	N/A
	Control Upgrade Kit	1	4838	1	4838

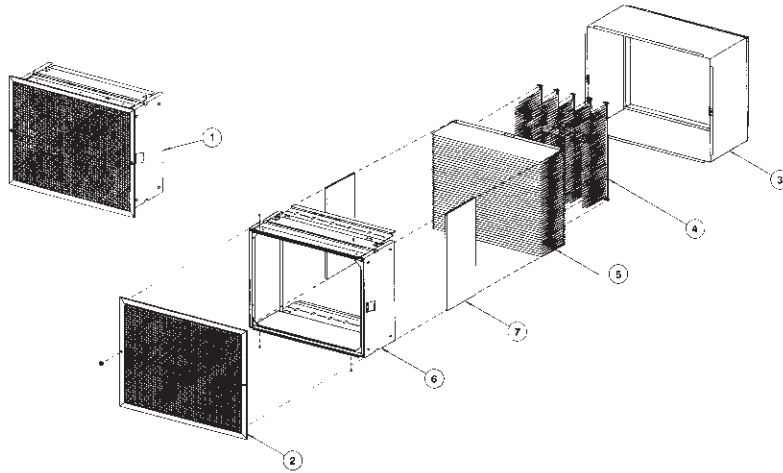
<sup>1</sup> Full units no longer available, parts only.

<sup>5</sup> Aprilaire suggests upgrading to Part No. 1213 Upgrade Kit to replace pleat spacer for ultimate performance of Model 2200.

<sup>6</sup> Contact Aprilaire Customer Service

<sup>7</sup> Aprilaire suggests upgrading to Part No. 1413 Upgrade Kit to replace pleat spacer for ultimate performance of Model 2400.

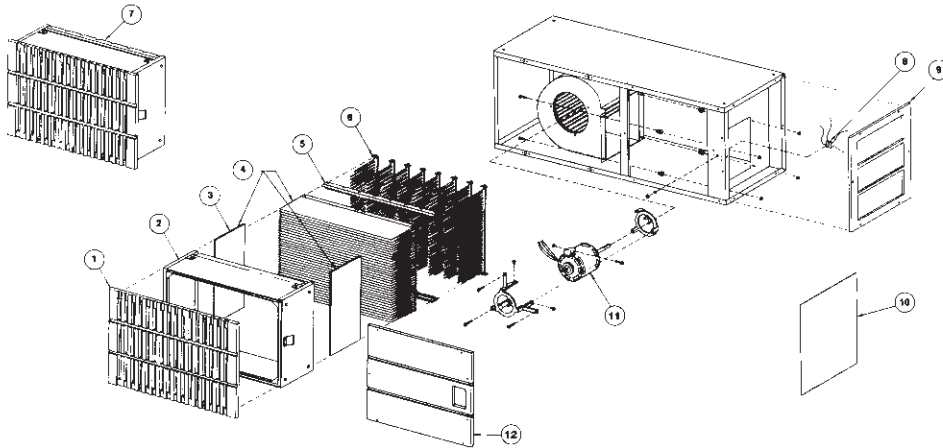
## Aprilaire® Model 2250 Air Cleaner



### Aprilaire® Model 2250 Air Cleaner

NO.	PART NAME	QTY/CTN	PART NO.
1	Complete Grille Assembly	1	4130
2	Grille	1	4132
3	Rough-In-Box	1	4133
4	Pleat Spacers <sup>6</sup>	5	4119
5	Media	10	201
6	Housing Without Grille (Includes 5 Pleat Spacers)	1	4131
7	Inner Housing Seal Kit	1	4168
<b>OTHER PARTS</b>			
	Holding Brackets	2	4121

## Aprilaire® Model 2600 Air Cleaner

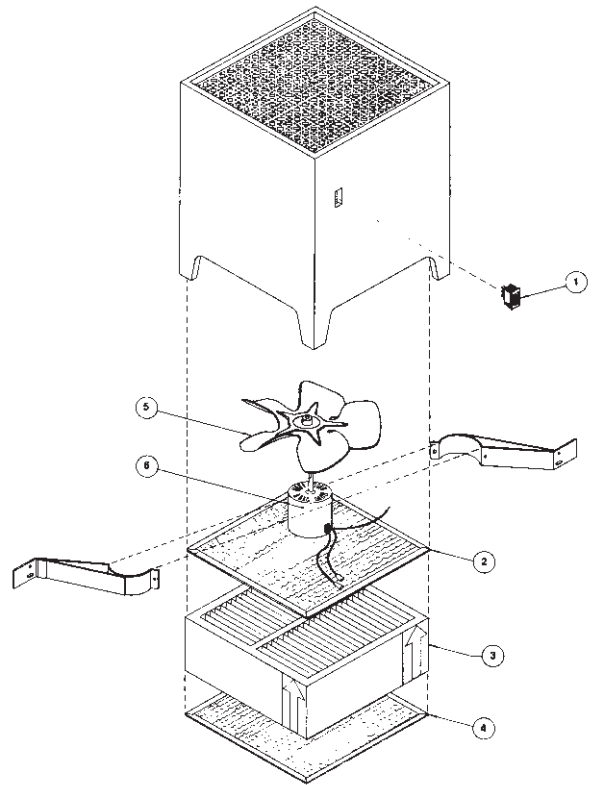


NO.	PART NAME	QTY/CTN	PART NO.
1	Grille Without Housing	1	4145
2	Inner Housing With Seals	1	4177
3	Inner Housing Seals	2	4168
4	Media and 2 Seals	10	261
5	Holding Brackets	2	4125
6	Pleat Spacers <sup>6</sup>	4	4120
7	Inlet Cover Assembly	1	4135
8	Master Switch	1	4134
9	Outlet Frame Assembly	1	4169
10	Grille Cloth Only	1	4158
11	Motor	1	4138
12	Motor Access Door	1	4178

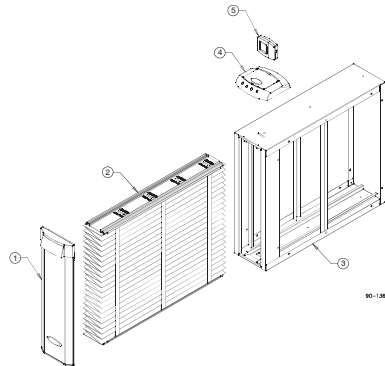
<sup>6</sup>Contact Aprilaire Customer Service

## Aprilaire® Model 2275 Air Cleaner

NO.	PART NAME	QTY/CTN	PART NO.
1	Switch	1	4172
2	Safety Screen	1	4175
3	Media	10	275
4	Pre-Filter	1	4176
5	Fan Blade	1	4173
6	Motor	1	4174



## Aprilaire® Model 4200<sup>1</sup>/4300<sup>1</sup>/4400<sup>1</sup> Air Cleaners



NO.	PART NAME	QTY/CTN	Model 4200	Model 4300	Model 4400
			PART NO.	PART NO.	PART NO.
1	Replacement Door	1	4867	4962	4868
2	Aprilaire Replacement Media - MERV 13	8	213	313	413
2	Aprilaire Replacement Media - MERV 11	8	210	310	410
3	Replacement Housing	1	4834	4965	4835
4&5	Air Cleaner, Control & LED Base	1	4838	4838	4838

<sup>1</sup> Full units no longer available, parts only.

# Aprilaire®

P.O. Box 1467  
Madison, WI 53701-1467  
Phone: 800.334.6011 Fax: 608.257.4357