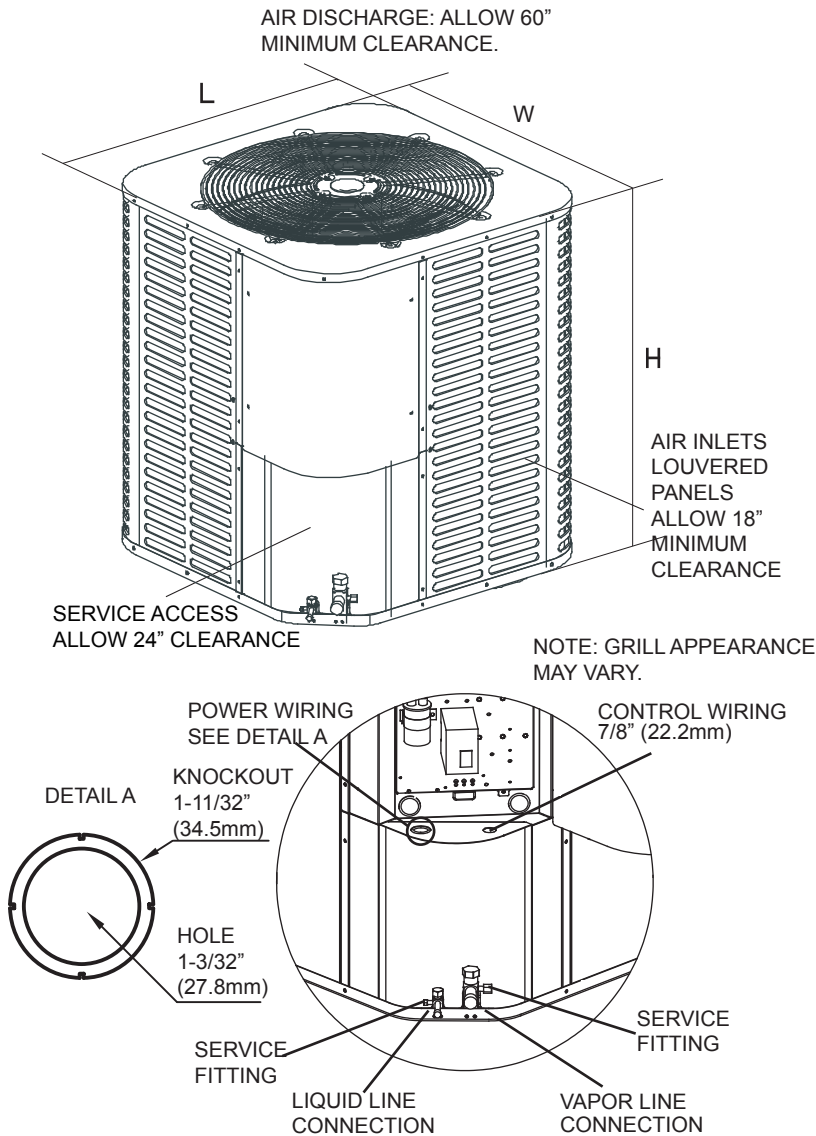


TAG: \_\_\_\_\_

# SUBMITTAL

## 5.0 Ton Split System Heat Pump - 1 Phase M4HP3060A1000AA



### Product Specifications

| OUTDOOR UNIT                      | M4HP3060A1000AA      |
|-----------------------------------|----------------------|
| POWER CONNS. — V/PH/HZ            | 208/230/1/60         |
| MIN. BRCH. CIR. AMPACITY          | 36.7                 |
| BR. CIR. PROT. RTG. - MAX. (AMPS) | 60                   |
| COMPRESSOR                        | SCROLL               |
| NO. USED - NO. SPEEDS             | 1 - 1                |
| VOLTS/PH/HZ                       | 208/230/1/60         |
| R.L. AMPS - L.R. AMPS             | 26.4-134.0           |
| FACTORY INSTALLED                 |                      |
| START COMPONENTS                  | NO                   |
| INSULATION/SOUND BLANKET          | NO                   |
| COMPRESSOR HEAT                   | YES                  |
| OUTDOOR FAN                       | PROPELLER            |
| DIA. (IN.) - NO. USED             | 23-5/8 - 1           |
| TYPE DRIVE - NO. SPEEDS           | DIRECT - 1           |
| CFM @ 0.0 IN. W.G.                | 4269                 |
| NO. MOTORS - HP                   | 1 - 1/3              |
| MOTOR SPEED R.P.M.                | 1075                 |
| VOLTS/PH/HZ                       | 208/230/1/60         |
| F.L. AMPS                         | 1.7                  |
| OUTDOOR COIL — TYPE               | PLATE FIN            |
| ROWS - F.P.I.                     | 2 - 19               |
| FACE AREA (SQ. FT.)               | 18.45                |
| TUBE SIZE (IN.)                   | 9/32                 |
| REFRIGERANT CONTROL               | ORIFICE              |
| REFRIGERANT                       |                      |
| LBS. — R-410A (O.D. UNIT)         | 10 LBS. - 13OZ.      |
| FACTORY SUPPLIED                  | YES                  |
| LINE SIZE - IN. O.D. GAS          | 7/8                  |
| LINE SIZE - IN. O.D. LIQ.         | 3/8                  |
| CHARGING SPECIFICATION            |                      |
| SUBCOOLING                        | 8° F                 |
| DIMENSIONS                        | H X W X D            |
| CRATED (IN.)                      | 30-1/5x34-1/2x30-1/5 |
| WEIGHT                            |                      |
| SHIPPING (LBS.)                   | 238                  |
| NET (LBS.)                        | 222                  |

NOTE: All dimensions are in mm/inches.

| Model           | H             | W            | L            | LIQUID VALVE SIZE | GAS VALVE SIZE |
|-----------------|---------------|--------------|--------------|-------------------|----------------|
| M4HP3060A1000AA | 843 (33-3/16) | 740 (29-1/8) | 740 (29-1/8) | 3/8               | 7/8            |

# Mechanical Specification Options

---

## **General**

The M4HP30 is fully charged from the factory. This unit is designed to operate at outdoor ambient temperatures as high as 115°F. Cooling capacities are matched with air handlers and furnace coils that are AHRI certified. The unit is certified to ETL. Exterior is designed for outdoor application.

## **Casing**

Unit casing is constructed of heavy gauge, Galvanized steel and painted with a weather-resistant powder paint on all grilles, panels, pre-paint on all other panels. And had 500-hours salt spray tested.

## **Refrigerant Controls**

Refrigeration system controls include condenserfan, compressor contactor, high pressure switch and low pressure switch. The factory installed crankcase heat can protect compress when it stands by.

## **Scroll Compressor**

Features include low vibration and noise.

## **Condenser Coil**

The outdoor coil provides low airflow resistance and efficient heat transfer. The coil is protected on all four sides by grille panels.

## **Optional accessories**

### **Thermostats —**

When choosing a thermostat, choose a non-programmable electric thermostat series. Please refer to the thermostat electrical manual wiring schematic.

### **Liquid line drier —**

It is used to filter out impurities and water in the system, ensures system clean and dry.



---

---

---

---

Ameristar

*Ameristar has a policy of continuous product and product data improvement and it reserves the right to change design and specifications without notice.*