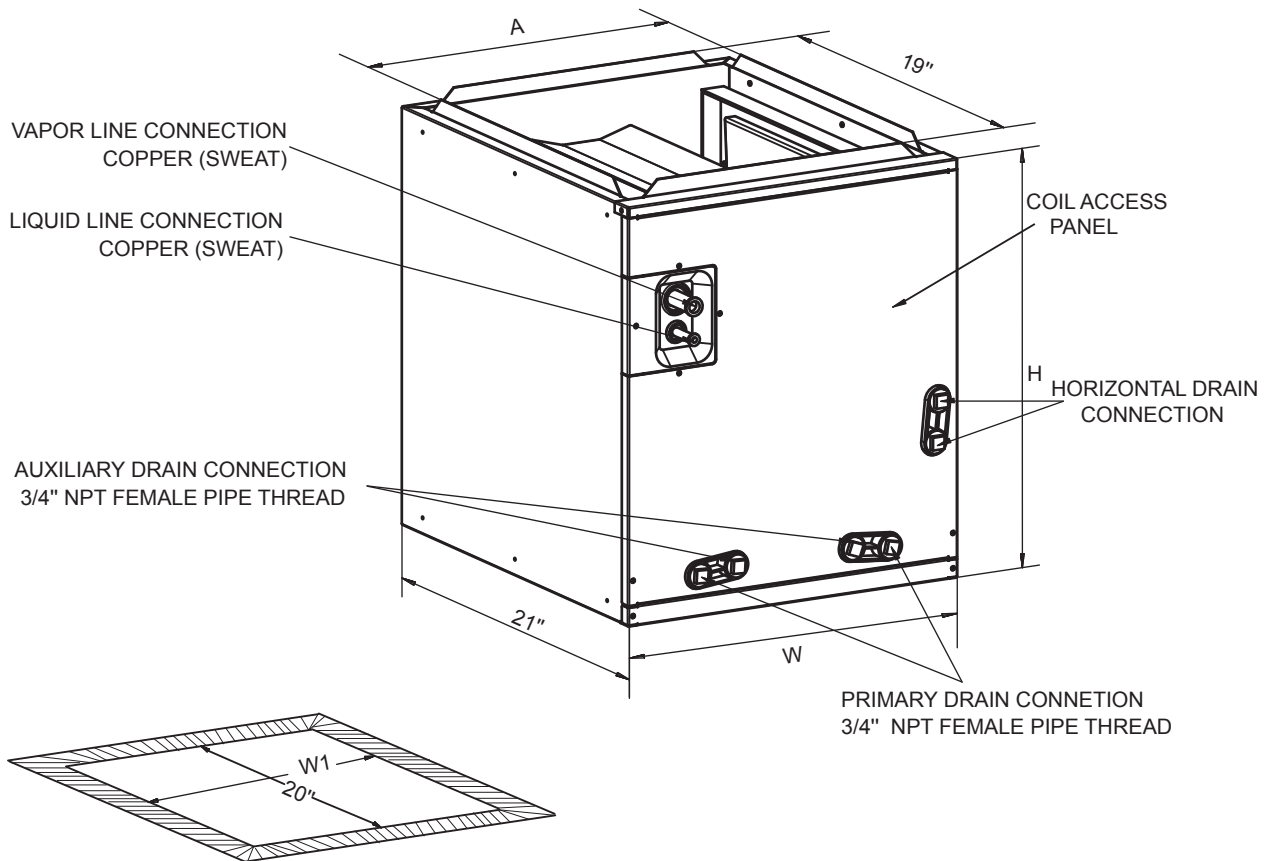


TAG: _____

SUBMITTAL

Cased A-coil

M4CXC018AA1CAAA



NOTE: All dimensions are in mm/inches.

| Model | H | W | A | W1 |
|-----------------|----------|--------------|----------|--------------|
| M4CXC018AA1CAAA | 508 (20) | 368 (14-1/2) | 330 (13) | 343 (13-1/2) |

PRODUCT SPECIFICATIONS

PRODUCT SPECIFICATIONS

| | |
|-----------------------------------|--------------------------|
| MODEL | M4CXC018AA1CAAA |
| RATINGS | See O.D. Specifications |
| INDOOR COIL — Type | Plate Fin |
| Rows — F.P.I. | 2 - 17 |
| Face Area (sq. ft.) | 3.73 |
| Tube Size (in.) | 3/8 |
| Refrigerant Control | Orifice |
| Drain Conn. Size (in.) | 3/4 NPT |
| DUCT CONNECTIONS | See Outline Drawing |
| REFRIGERANT | R-410A |
| Ref. Line Connections | Brazed |
| Coupling or Conn. Size — in. Gas | 3/4 |
| Coupling or Conn. Size — in. Liq. | 3/8 |
| DIMENSIONS | H x W x D |
| Crated (In.) | 22-3/4 x 17-1/2 x 24-3/8 |
| Uncrated | 20 x 14-1/2 x 21 |
| WEIGHT | |
| Shipping (Lbs.)/Net (Lbs.) | 47/44 |



| PRESSURE DROP CHARACTERISTICS FOR COIL | | | | | | | |
|--|-----|------|-----|------|-----|------|------|
| M4CXC018AA1CAAA | | | | | | | |
| PRESSURE DROP (INCHES OF WATER) | | | | | | | |
| 0.05 | 0.1 | 0.15 | 0.2 | 0.25 | 0.3 | 0.35 | 0.4 |
| 349 | 518 | 659 | 768 | 875 | 967 | 1058 | 1135 |

Mechanical Specifications

- Compatible with R410A and R22 refrigerants.
- Advanced-design blue-enhanced aluminum fins bonded to inner-groove copper pipe.
- Foil-faced thermal insulation prevents sweating.
- Condensate drain pans are built from high-grade, heat-resistant and corrosion-free thermal set material.
- ARI Certified and UL Listed.

Ameristar



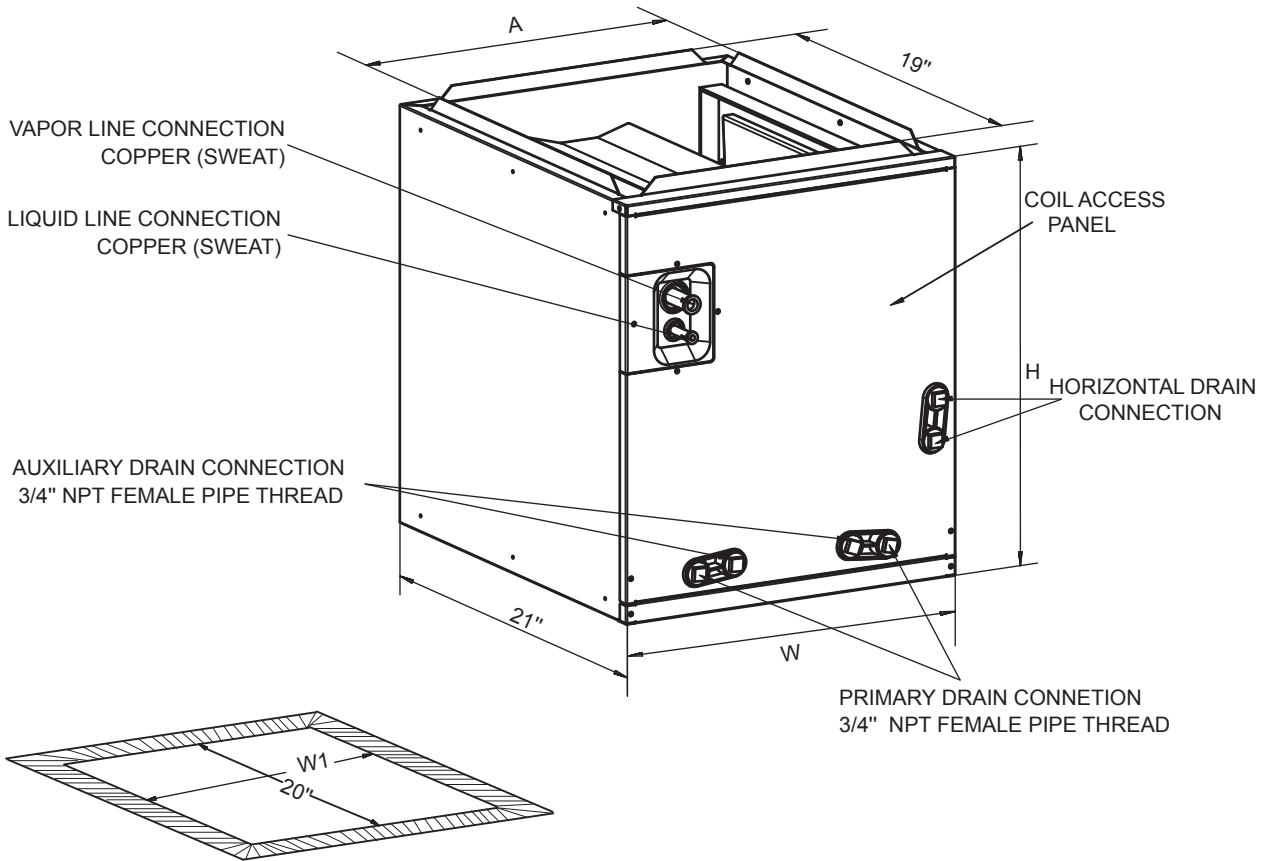
The manufacturer has a policy of continuous product and product data improvement and it reserves the right to change design and specification without notice.

TAG: _____

SUBMITTAL

Cased A-coil

M4CXC019AB1CAAA



NOTE: All dimensions are in mm/inches.

| Model | H | W | A | W1 |
|-----------------|----------|--------------|----------|--------------|
| M4CXC019AB1CAAA | 508 (20) | 445 (17-1/2) | 407 (16) | 419 (16-1/2) |

PRODUCT SPECIFICATIONS

PRODUCT SPECIFICATIONS

| | |
|-----------------------------------|--------------------------|
| MODEL | M4CXC019AB1CAAA |
| RATINGS | See O.D. Specifications |
| INDOOR COIL — Type | Plate Fin |
| Rows — F.P.I. | 2 - 17 |
| Face Area (sq. ft.) | 3.27 |
| Tube Size (in.) | 3/8 |
| Refrigerant Control | Orifice |
| Drain Conn. Size (in.) | 3/4 NPT |
| DUCT CONNECTIONS | See Outline Drawing |
| REFRIGERANT | R-410A |
| Ref. Line Connections | Brazed |
| Coupling or Conn. Size — in. Gas | 3/4 |
| Coupling or Conn. Size — in. Liq. | 3/8 |
| DIMENSIONS | H x W x D |
| Crated (In.) | 22-3/4 x 20-1/2 x 24-3/8 |
| Uncrated | 20 x 17-1/2 x 21 |
| WEIGHT | |
| Shipping (Lbs.)/Net (Lbs.) | 51/47 |



| | | | | | | | |
|--|-----|------|-----|------|------|------|------|
| PRESSURE DROP CHARACTERISTICS FOR COIL | | | | | | | |
| M4CXC019AB1CAAA | | | | | | | |
| PRESSURE DROP (INCHES OF WATER) | | | | | | | |
| 0.05 | 0.1 | 0.15 | 0.2 | 0.25 | 0.3 | 0.35 | 0.4 |
| 374 | 547 | 715 | 835 | 954 | 1052 | 1146 | 1234 |

Mechanical Specifications

- Compatible with R410A and R22 refrigerants.
- Advanced-design blue-enhanced aluminum fins bonded to inner-groove copper pipe.
- Foil-faced thermal insulation prevents sweating.
- Condensate drain pans are built from high-grade, heat-resistant and corrosion-free thermal set material.
- ARI Certified and UL Listed.

Ameristar



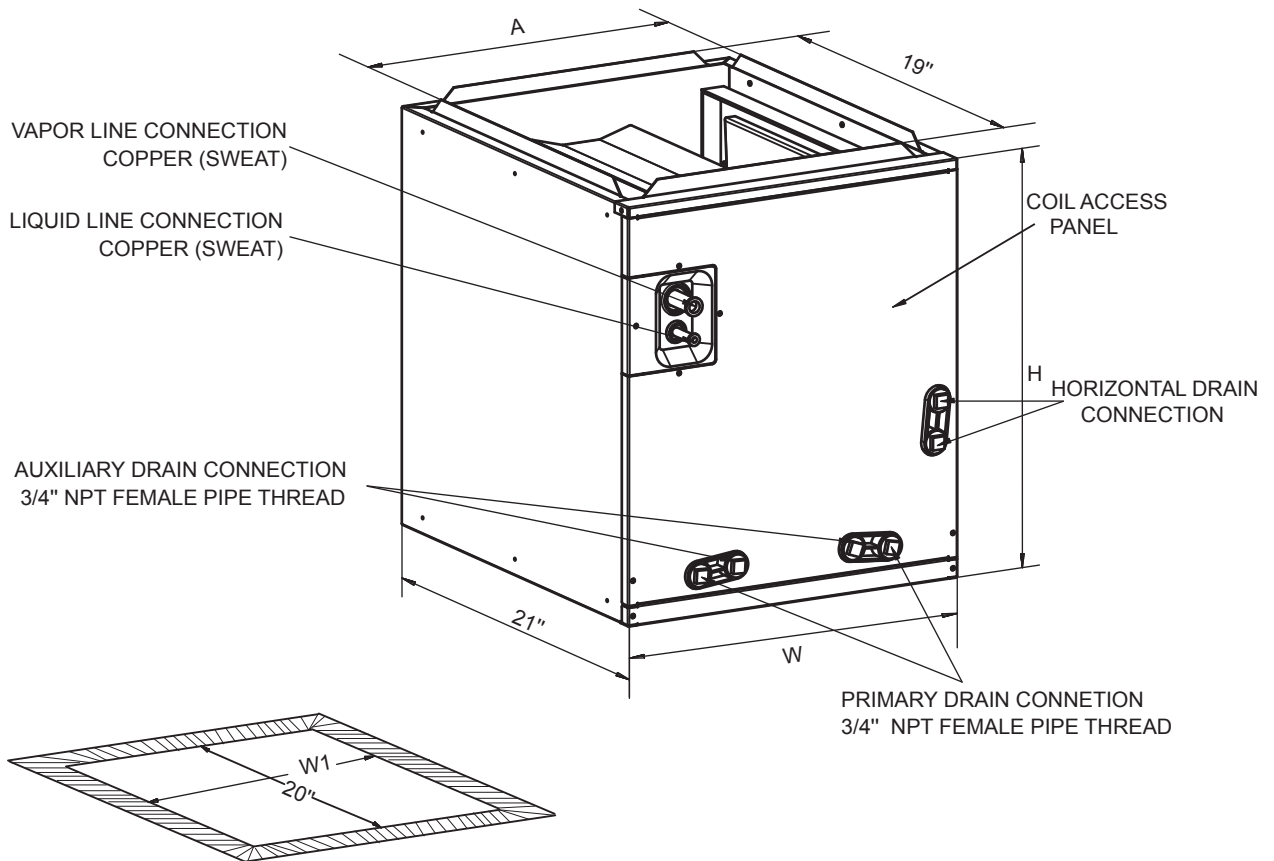
The manufacturer has a policy of continuous product and product data improvement and it reserves the right to change design and specification without notice.

TAG: _____

SUBMITTAL

Cased A-coil

M4CXC024AA1CAAA



NOTE: All dimensions are in mm/inches.

| Model | H | W | A | W1 |
|-----------------|----------|--------------|----------|--------------|
| M4CXC024AA1CAAA | 660 (26) | 368 (14-1/2) | 330 (13) | 343 (13-1/2) |

PRODUCT SPECIFICATIONS

PRODUCT SPECIFICATIONS

| | |
|-----------------------------------|--------------------------|
| MODEL | M4CXC024AA1CAAA |
| RATINGS | See O.D. Specifications |
| INDOOR COIL — Type | Plate Fin |
| Rows — F.P.I. | 2 - 17 |
| Face Area (sq. ft.) | 5.13 |
| Tube Size (in.) | 3/8 |
| Refrigerant Control | Orifice |
| Drain Conn. Size (in.) | 3/4 NPT |
| DUCT CONNECTIONS | See Outline Drawing |
| REFRIGERANT | R-410A |
| Ref. Line Connections | Brazed |
| Coupling or Conn. Size — in. Gas | 3/4 |
| Coupling or Conn. Size — in. Liq. | 3/8 |
| DIMENSIONS | H x W x D |
| Crated (In.) | 28-3/4 x 17-1/2 x 24-3/8 |
| Uncrated | 26 x 14-1/2 x 21 |
| WEIGHT | |
| Shipping (Lbs.)/Net (Lbs.) | 61/57 |



| | | | | | | | |
|--|-----|------|-----|------|------|------|------|
| PRESSURE DROP CHARACTERISTICS FOR COIL | | | | | | | |
| M4CXC024AA1CAAA | | | | | | | |
| PRESSURE DROP (INCHES OF WATER) | | | | | | | |
| 0.05 | 0.1 | 0.15 | 0.2 | 0.25 | 0.3 | 0.35 | 0.4 |
| 366 | 545 | 696 | 805 | 916 | 1011 | 1100 | 1181 |

Mechanical Specifications

- Compatible with R410A and R22 refrigerants.
- Advanced-design blue-enhanced aluminum fins bonded to inner-groove copper pipe.
- Foil-faced thermal insulation prevents sweating.
- Condensate drain pans are built from high-grade, heat-resistant and corrosion-free thermal set material.
- ARI Certified and UL Listed.

Ameristar



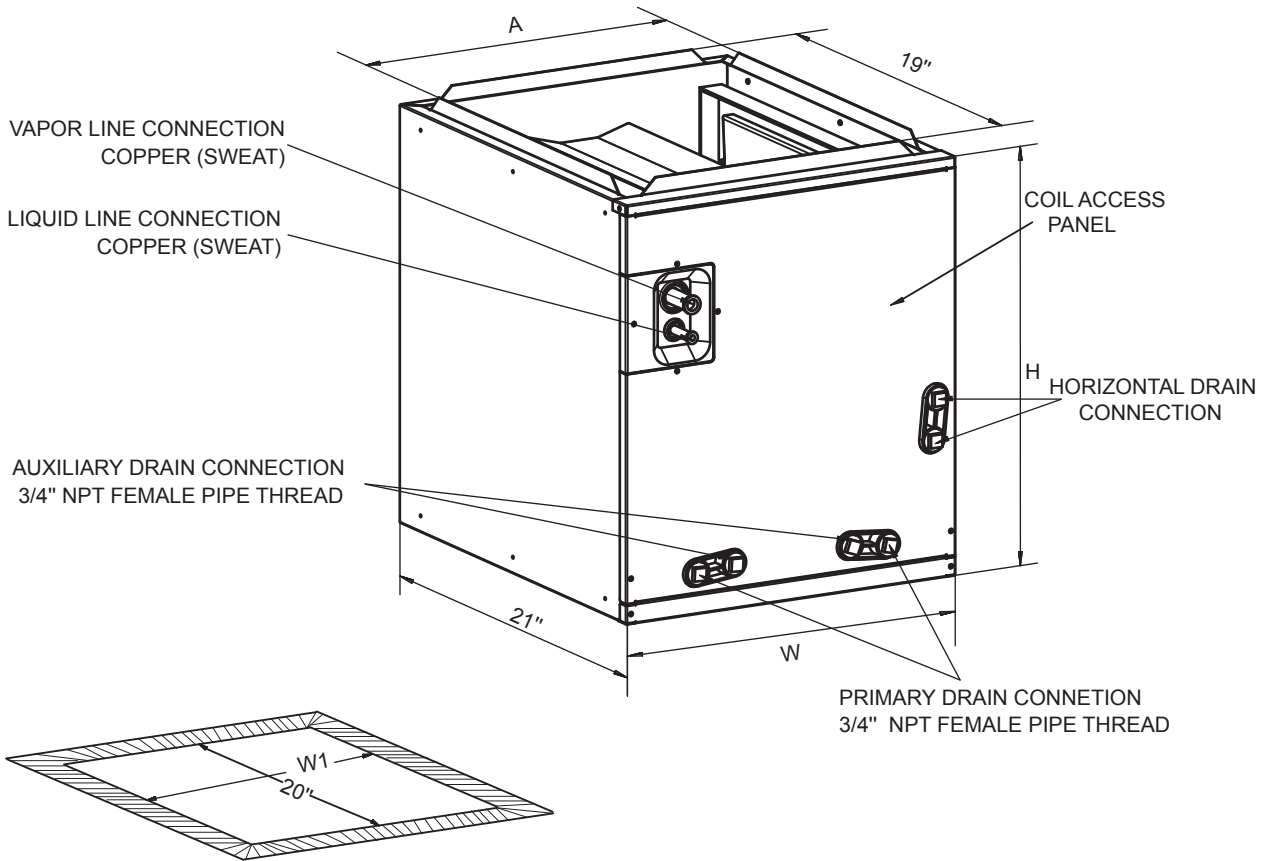
The manufacturer has a policy of continuous product and product data improvement and it reserves the right to change design and specification without notice.

TAG: _____

SUBMITTAL

Cased A-coil

M4CXC024BA1CAAA



NOTE: All dimensions are in mm/inches.

| Model | H | W | A | W1 |
|-----------------|----------|--------------|----------|--------------|
| M4CXC024BA1CAAA | 508 (20) | 368 (14-1/2) | 330 (13) | 343 (13-1/2) |

PRODUCT SPECIFICATIONS

PRODUCT SPECIFICATIONS

| | |
|-----------------------------------|-------------------------|
| MODEL | M4CXC024BA1CAAA |
| RATINGS | See O.D. Specifications |
| INDOOR COIL — Type | Plate Fin |
| Rows — F.P.I. | 3 - 17 |
| Face Area (sq. ft.) | 0.85 |
| Tube Size (in.) | 9/32 |
| Refrigerant Control | Orifice |
| Drain Conn. Size (in.) | 3/4 NPT |
| DUCT CONNECTIONS | See Outline Drawing |
| REFRIGERANT | R-410A |
| Ref. Line Connections | Brazed |
| Coupling or Conn. Size — in. Gas | 3/4 |
| Coupling or Conn. Size — in. Liq. | 3/8 |
| DIMENSIONS | H x W x D |
| Crated (In.) | 22-5/8 x 17-1/2 x 25 |
| Uncrated | 20 x 14-1/2 x 21 |
| WEIGHT | |
| Shipping (Lbs.)/Net (Lbs.) | 48/42 |



| | | | | | | | |
|--|-----|------|-----|------|------|------|------|
| PRESSURE DROP CHARACTERISTICS FOR COIL | | | | | | | |
| M4CXC024BA1CAAA | | | | | | | |
| PRESSURE DROP (INCHES OF WATER) | | | | | | | |
| 0.05 | 0.1 | 0.15 | 0.2 | 0.25 | 0.3 | 0.35 | 0.4 |
| 373 | 549 | 706 | 821 | 925 | 1018 | 1109 | 1190 |

Mechanical Specifications

- Compatible with R410A and R22 refrigerants.
- Advanced-design blue-enhanced aluminum fins bonded to inner-groove copper pipe.
- Foil-faced thermal insulation prevents sweating.
- Condensate drain pans are built from high-grade, heat-resistant and corrosion-free thermal set material.
- Coils match Midea unitary products and many brand-name, popular gas furnaces and split systems.
- ARI Certified and UL Listed.

Ameristar



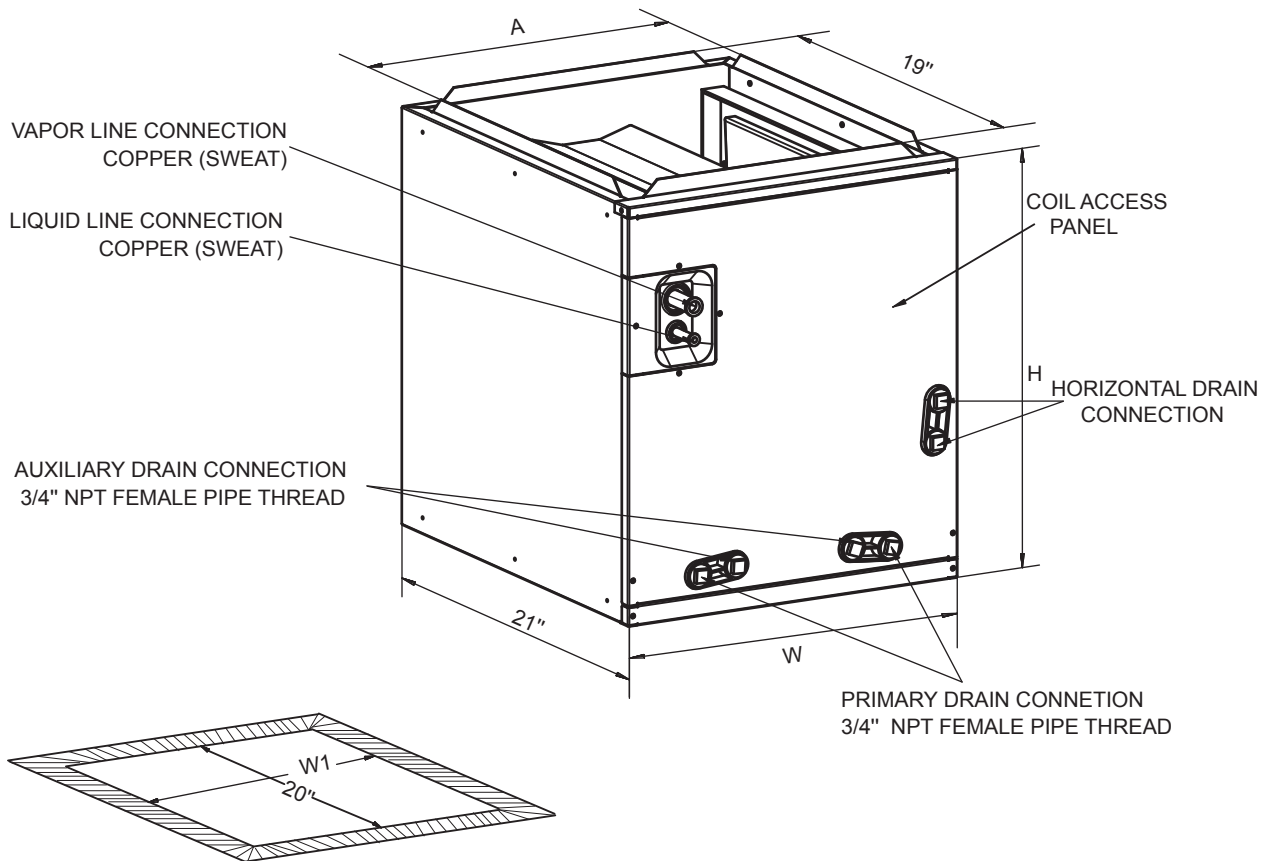
The manufacturer has a policy of continuous product and product data improvement and it reserves the right to change design and specification without notice.

TAG: _____

SUBMITTAL

Cased A-coil

M4CXC025AB1CAAA



NOTE: All dimensions are in mm/inches.

| Model | H | W | A | W1 |
|-----------------|----------|--------------|----------|--------------|
| M4CXC025AB1CAAA | 508 (20) | 445 (17-1/2) | 407 (16) | 419 (16-1/2) |

PRODUCT SPECIFICATIONS

PRODUCT SPECIFICATIONS

| | |
|-----------------------------------|--------------------------|
| MODEL | M4CXC025AB1CAAA |
| RATINGS | See O.D. Specifications |
| INDOOR COIL — Type | Plate Fin |
| Rows — F.P.I. | 2 - 17 |
| Face Area (sq. ft.) | 3.73 |
| Tube Size (in.) | 3/8 |
| Refrigerant Control | Orifice |
| Drain Conn. Size (in.) | 3/4 NPT |
| DUCT CONNECTIONS | See Outline Drawing |
| REFRIGERANT | R-410A |
| Ref. Line Connections | Brazed |
| Coupling or Conn. Size — in. Gas | 3/4 |
| Coupling or Conn. Size — in. Liq. | 3/8 |
| DIMENSIONS | H x W x D |
| Crated (In.) | 22-3/4 x 20-1/2 x 24-3/8 |
| Uncrated | 20 x 17-1/2 x 21 |
| WEIGHT | |
| Shipping (Lbs.)/Net (Lbs.) | 52/49 |



| | | | | | | | |
|--|-----|------|-----|------|------|------|------|
| PRESSURE DROP CHARACTERISTICS FOR COIL | | | | | | | |
| M4CXC025AB1CAAA | | | | | | | |
| PRESSURE DROP (INCHES OF WATER) | | | | | | | |
| 0.05 | 0.1 | 0.15 | 0.2 | 0.25 | 0.3 | 0.35 | 0.4 |
| 392 | 597 | 764 | 896 | 1025 | 1133 | 1242 | 1331 |

Mechanical Specifications

- Compatible with R410A and R22 refrigerants.
- Advanced-design blue-enhanced aluminum fins bonded to inner-groove copper pipe.
- Foil-faced thermal insulation prevents sweating.
- Condensate drain pans are built from high-grade, heat-resistant and corrosion-free thermal set material.
- ARI Certified and UL Listed.

Ameristar



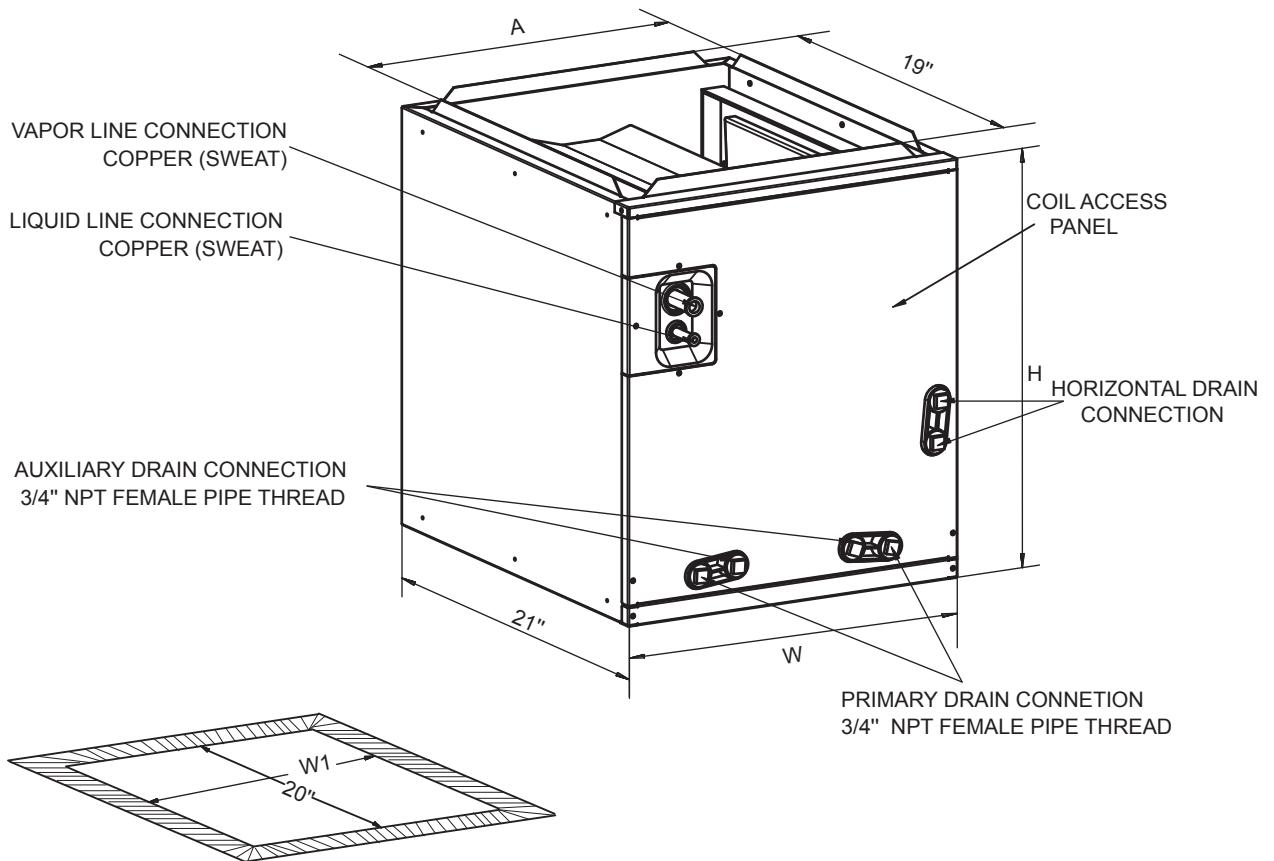
The manufacturer has a policy of continuous product and product data improvement and it reserves the right to change design and specification without notice.

TAG: _____

SUBMITTAL

Cased A-coil

M4CXC025BB1CAAA



NOTE: All dimensions are in mm/inches.

| Model | H | W | A | W1 |
|-----------------|----------|--------------|----------|--------------|
| M4CXC025BB1CAAA | 508 (20) | 445 (17-1/2) | 407 (16) | 419 (16-1/2) |

PRODUCT SPECIFICATIONS

PRODUCT SPECIFICATIONS

| | |
|-----------------------------------|-------------------------|
| MODEL | M4CXC025BB1CAAA |
| RATINGS | See O.D. Specifications |
| INDOOR COIL — Type | Plate Fin |
| Rows — F.P.I. | 3 - 17 |
| Face Area (sq. ft.) | 1.01 |
| Tube Size (in.) | 9/32 |
| Refrigerant Control | Orifice |
| Drain Conn. Size (in.) | 3/4 NPT |
| DUCT CONNECTIONS | See Outline Drawing |
| REFRIGERANT | R-410A |
| Ref. Line Connections | Brazed |
| Coupling or Conn. Size — in. Gas | 3/4 |
| Coupling or Conn. Size — in. Liq. | 3/8 |
| DIMENSIONS | H x W x D |
| Crated (In.) | 22-5/8 x 20-5/8 x 25 |
| Uncrated | 20 x 17-1/2 x 21 |
| WEIGHT | |
| Shipping (Lbs.)/Net (Lbs.) | 52/46 |



| | | | | | | | |
|--|-----|------|-----|------|------|------|------|
| PRESSURE DROP CHARACTERISTICS FOR COIL | | | | | | | |
| M4CXC025BB1CAAA | | | | | | | |
| PRESSURE DROP (INCHES OF WATER) | | | | | | | |
| 0.05 | 0.1 | 0.15 | 0.2 | 0.25 | 0.3 | 0.35 | 0.4 |
| 391 | 617 | 785 | 925 | 1050 | 1163 | 1272 | 1367 |

Mechanical Specifications

- Compatible with R410A and R22 refrigerants.
- Advanced-design blue-enhanced aluminum fins bonded to inner-groove copper pipe.
- Foil-faced thermal insulation prevents sweating.
- Condensate drain pans are built from high-grade, heat-resistant and corrosion-free thermal set material.
- Coils match Midea unitary products and many brand-name, popular gas furnaces and split systems.
- ARI Certified and UL Listed.

Ameristar



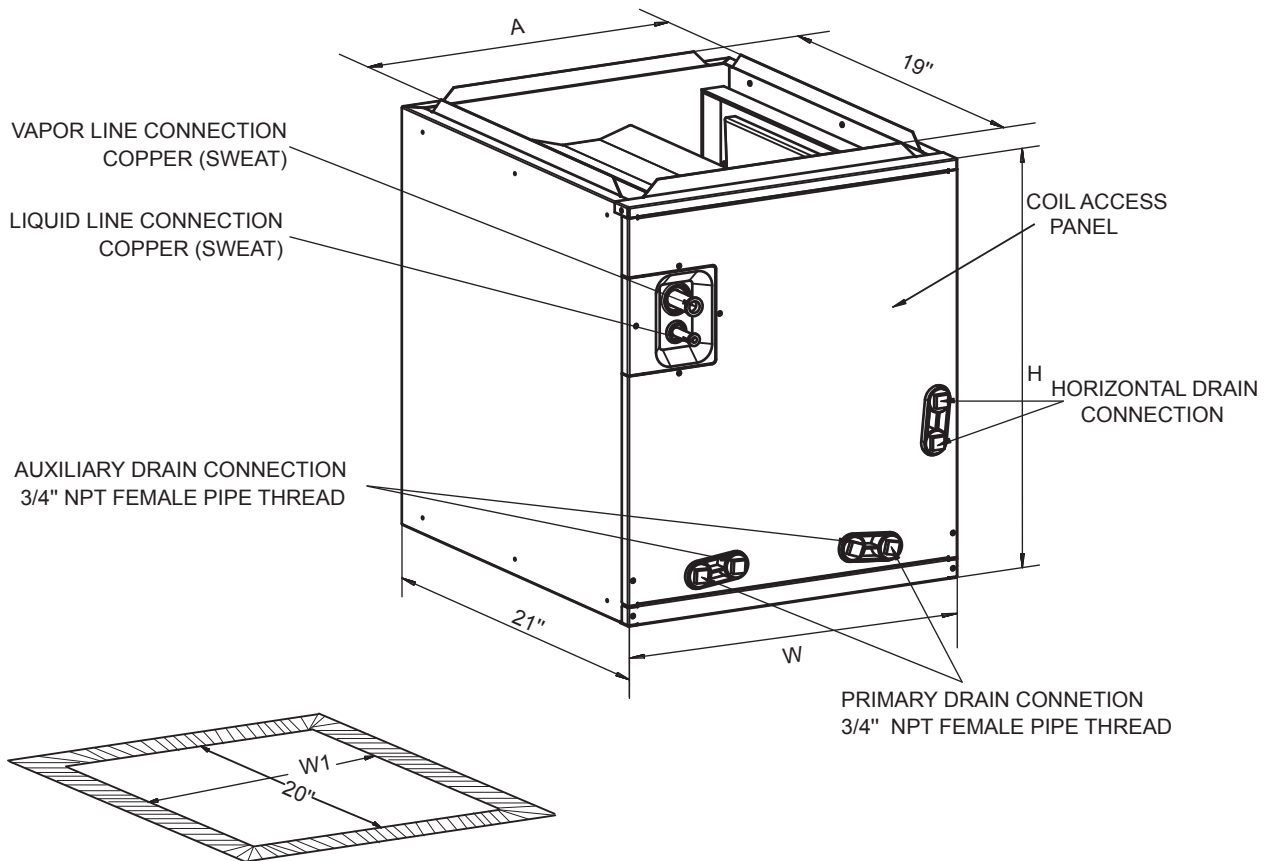
The manufacturer has a policy of continuous product and product data improvement and it reserves the right to change design and specification without notice.

TAG: _____

SUBMITTAL

Cased A-coil

M4CXC028BA1CAAA



NOTE: All dimensions are in mm/inches.

| Model | H | W | A | W1 |
|-----------------|----------|--------------|----------|--------------|
| M4CXC028BA1CAAA | 660 (26) | 368 (14-1/2) | 330 (13) | 343 (13-1/2) |

PRODUCT SPECIFICATIONS

PRODUCT SPECIFICATIONS

| | |
|-----------------------------------|-------------------------|
| MODEL | M4CXC028BA1CAAA |
| RATINGS | See O.D. Specifications |
| INDOOR COIL — Type | Plate Fin |
| Rows — F.P.I. | 4 - 17 |
| Face Area (sq. ft.) | 0.85 |
| Tube Size (in.) | 9/32 |
| Refrigerant Control | Orifice |
| Drain Conn. Size (in.) | 3/4 NPT |
| DUCT CONNECTIONS | See Outline Drawing |
| REFRIGERANT | R-410A |
| Ref. Line Connections | Brazed |
| Coupling or Conn. Size — in. Gas | 3/4 |
| Coupling or Conn. Size — in. Liq. | 3/8 |
| DIMENSIONS | H x W x D |
| Crated (In.) | 28-1/2 x 17-5/8 x 25 |
| Uncrated | 26 x 14-1/2 x 21 |
| WEIGHT | |
| Shipping (Lbs.)/Net (Lbs.) | 63/56 |



| | | | | | | | |
|--|-----|------|-----|------|-----|------|------|
| PRESSURE DROP CHARACTERISTICS FOR COIL | | | | | | | |
| M4CXC028BA1CAAA | | | | | | | |
| PRESSURE DROP (INCHES OF WATER) | | | | | | | |
| 0.05 | 0.1 | 0.15 | 0.2 | 0.25 | 0.3 | 0.35 | 0.4 |
| 373 | 541 | 677 | 789 | 895 | 984 | 1068 | 1148 |

Mechanical Specifications

- Compatible with R410A and R22 refrigerants.
- Advanced-design blue-enhanced aluminum fins bonded to inner-groove copper pipe.
- Foil-faced thermal insulation prevents sweating.
- Condensate drain pans are built from high-grade, heat-resistant and corrosion-free thermal set material.
- Coils match Midea unitary products and many brand-name, popular gas furnaces and split systems.
- ARI Certified and UL Listed.

Ameristar



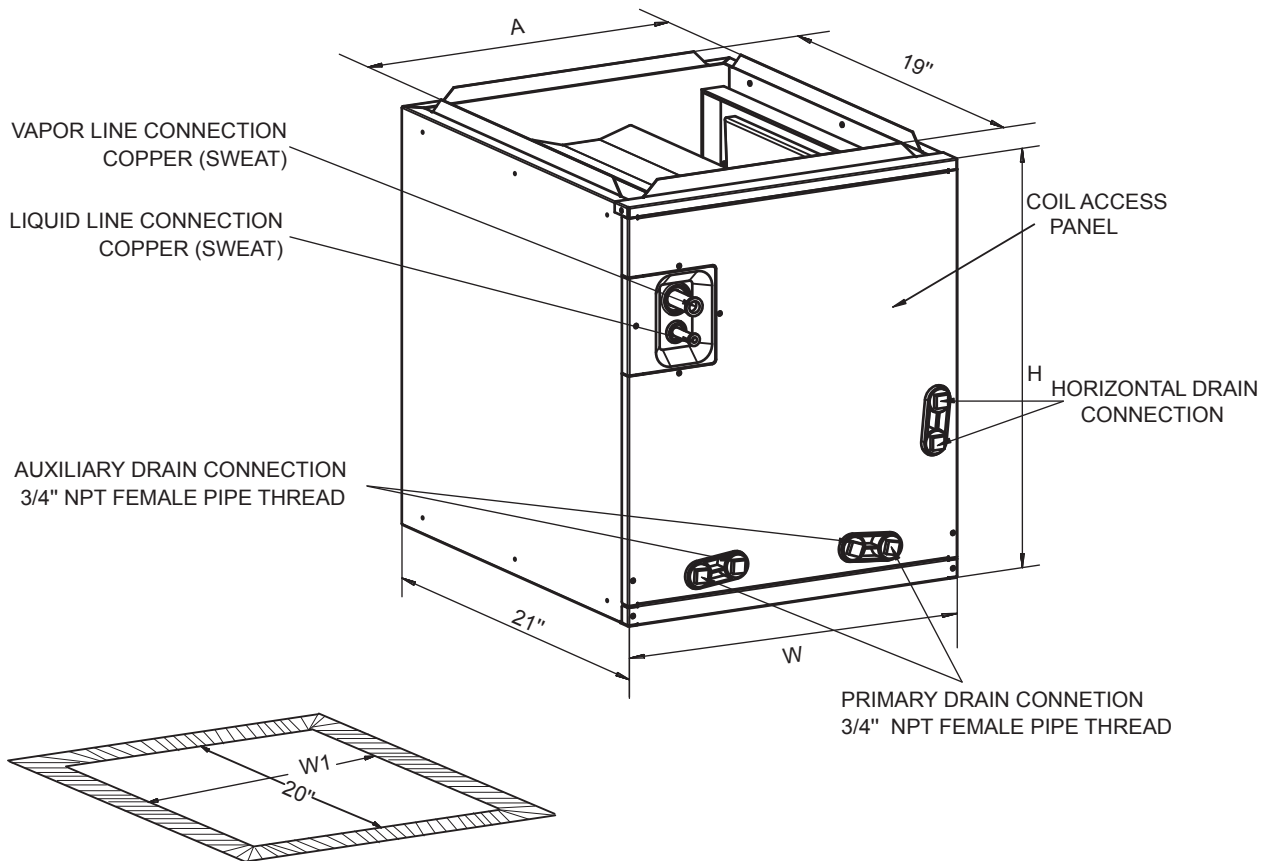
The manufacturer has a policy of continuous product and product data improvement and it reserves the right to change design and specification without notice.

TAG: _____

SUBMITTAL

Cased A-coil

M4CXC030AA1CAAA



NOTE: All dimensions are in mm/inches.

| Model | H | W | A | W1 |
|-----------------|----------|--------------|----------|--------------|
| M4CXC030AA1CAAA | 660 (26) | 368 (14-1/2) | 330 (13) | 343 (13-1/2) |

PRODUCT SPECIFICATIONS

PRODUCT SPECIFICATIONS

| | |
|-----------------------------------|--------------------------|
| MODEL | M4CXC030AA1CAAA |
| RATINGS | See O.D. Specifications |
| INDOOR COIL — Type | Plate Fin |
| Rows — F.P.I. | 2 - 17 |
| Face Area (sq. ft.) | 5.13 |
| Tube Size (in.) | 3/8 |
| Refrigerant Control | Orifice |
| Drain Conn. Size (in.) | 3/4 NPT |
| DUCT CONNECTIONS | See Outline Drawing |
| REFRIGERANT | R-410A |
| Ref. Line Connections | Brazed |
| Coupling or Conn. Size — in. Gas | 3/4 |
| Coupling or Conn. Size — in. Liq. | 3/8 |
| DIMENSIONS | H x W x D |
| Crated (In.) | 28-3/4 x 17-1/2 x 24-3/8 |
| Uncrated | 26 x 14-1/2 x 21 |
| WEIGHT | |
| Shipping (Lbs.)/Net (Lbs.) | 61/57 |



| | | | | | | | |
|--|-----|------|-----|------|------|------|------|
| PRESSURE DROP CHARACTERISTICS FOR COIL | | | | | | | |
| M4CXC030AA1CAAA | | | | | | | |
| PRESSURE DROP (INCHES OF WATER) | | | | | | | |
| 0.05 | 0.1 | 0.15 | 0.2 | 0.25 | 0.3 | 0.35 | 0.4 |
| 366 | 545 | 696 | 805 | 916 | 1011 | 1100 | 1181 |

Mechanical Specifications

- Compatible with R410A and R22 refrigerants.
- Advanced-design blue-enhanced aluminum fins bonded to inner-groove copper pipe.
- Foil-faced thermal insulation prevents sweating.
- Condensate drain pans are built from high-grade, heat-resistant and corrosion-free thermal set material.
- ARI Certified and UL Listed.

Ameristar



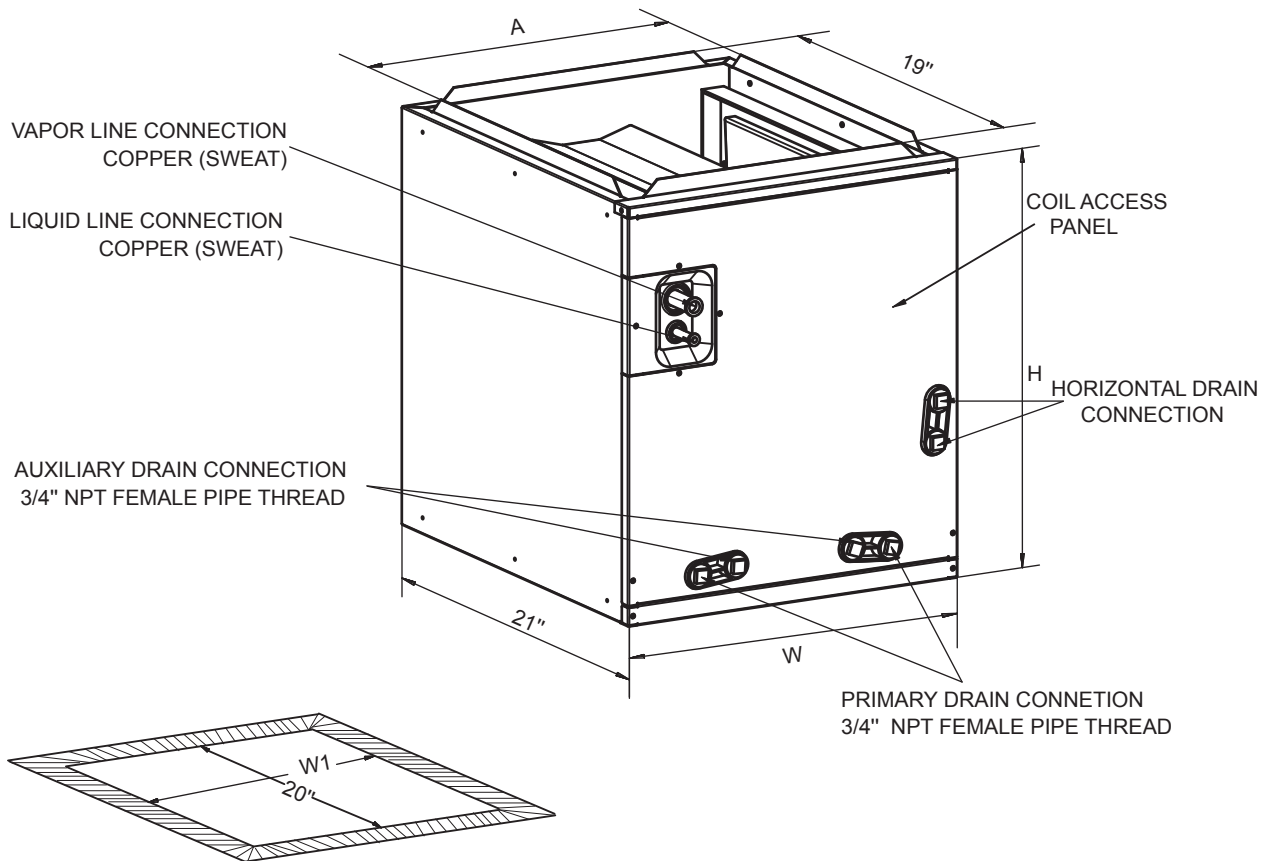
The manufacturer has a policy of continuous product and product data improvement and it reserves the right to change design and specification without notice.

TAG: _____

SUBMITTAL

Cased A-coil

M4CXC030BB1CAAA



NOTE: All dimensions are in mm/inches.

| Model | H | W | A | W1 |
|-----------------|----------|-------------|----------|--------------|
| M4CXC030BB1CAAA | 660 (26) | 445(17-1/2) | 407 (16) | 419 (16-1/2) |

PRODUCT SPECIFICATIONS

PRODUCT SPECIFICATIONS

| | |
|-----------------------------------|-------------------------|
| MODEL | M4CXC030BB1CAAA |
| RATINGS | See O.D. Specifications |
| INDOOR COIL — Type | Plate Fin |
| Rows — F.P.I. | 4 - 17 |
| Face Area (sq. ft.) | 1.01 |
| Tube Size (in.) | 9/32 |
| Refrigerant Control | Orifice |
| Drain Conn. Size (in.) | 3/4 NPT |
| DUCT CONNECTIONS | See Outline Drawing |
| REFRIGERANT | R-410A |
| Ref. Line Connections | Brazed |
| Coupling or Conn. Size — in. Gas | 3/4 |
| Coupling or Conn. Size — in. Liq. | 3/8 |
| DIMENSIONS | H x W x D |
| Crated (In.) | 28-1/2 x 20-5/8 x 25 |
| Uncrated | 26 x 17-1/2 x 21 |
| WEIGHT | |
| Shipping (Lbs.)/Net (Lbs.) | 66/57 |



| | | | | | | | |
|--|-----|------|-----|------|------|------|------|
| PRESSURE DROP CHARACTERISTICS FOR COIL | | | | | | | |
| M4CXC030BB1CAAA | | | | | | | |
| PRESSURE DROP (INCHES OF WATER) | | | | | | | |
| 0.05 | 0.1 | 0.15 | 0.2 | 0.25 | 0.3 | 0.35 | 0.4 |
| 412 | 625 | 789 | 926 | 1054 | 1166 | 1275 | 1375 |

Mechanical Specifications

- Compatible with R410A and R22 refrigerants.
- Advanced-design blue-enhanced aluminum fins bonded to inner-groove copper pipe.
- Foil-faced thermal insulation prevents sweating.
- Condensate drain pans are built from high-grade, heat-resistant and corrosion-free thermal set material.
- Coils match Midea unitary products and many brand-name, popular gas furnaces and split systems.
- ARI Certified and UL Listed.

Ameristar



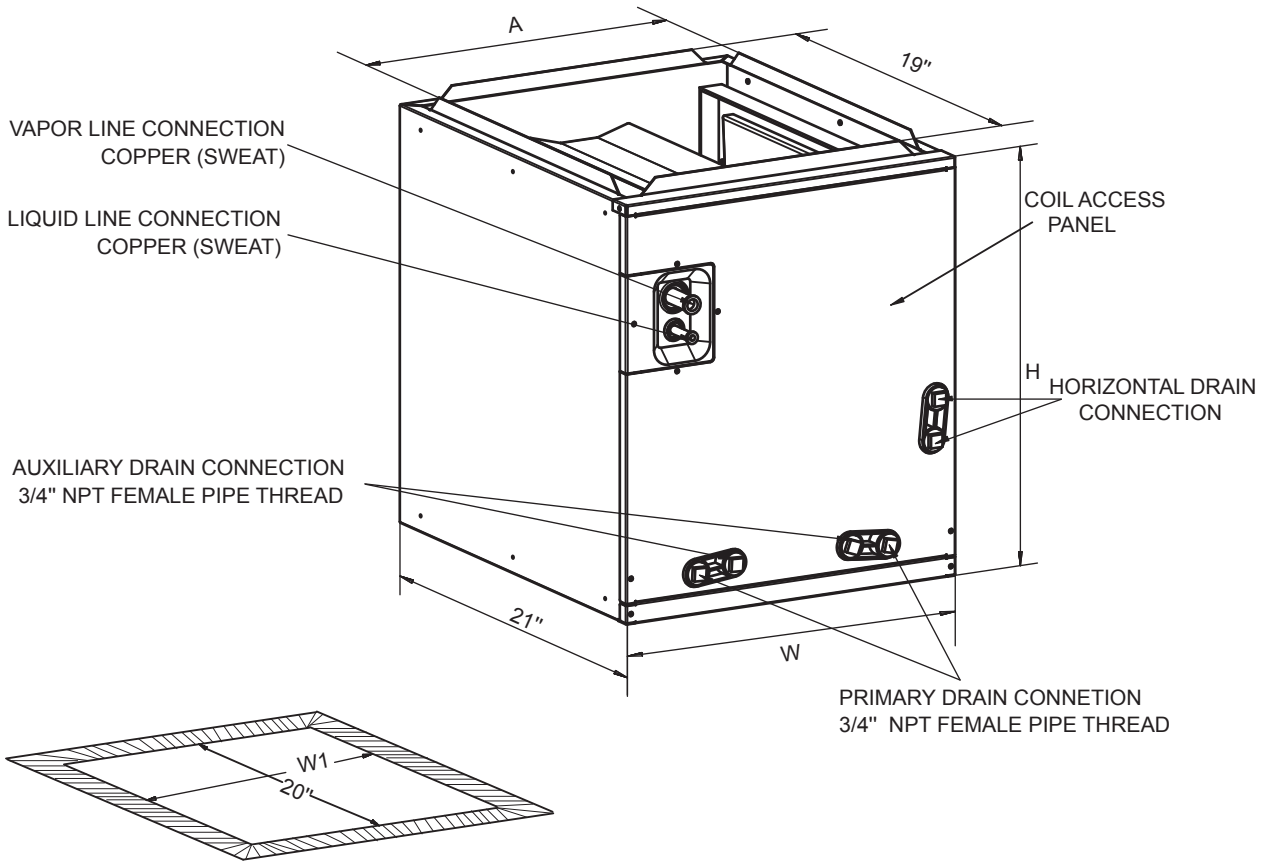
The manufacturer has a policy of continuous product and product data improvement and it reserves the right to change design and specification without notice.

TAG: _____

SUBMITTAL

Cased A-coil

M4CXC031AB1CAAA



NOTE: All dimensions are in mm/inches.

| Model | H | W | A | W1 |
|-----------------|----------|--------------|----------|--------------|
| M4CXC031AB1CAAA | 508 (20) | 445 (17-1/2) | 407 (16) | 419 (16-1/2) |

PRODUCT SPECIFICATIONS

PRODUCT SPECIFICATIONS

| | |
|-----------------------------------|--------------------------|
| MODEL | M4CXC031AB1CAAA |
| RATINGS | See O.D. Specifications |
| INDOOR COIL — Type | Plate Fin |
| Rows — F.P.I. | 2 - 17 |
| Face Area (sq. ft.) | 3.73 |
| Tube Size (in.) | 3/8 |
| Refrigerant Control | Orifice |
| Drain Conn. Size (in.) | 3/4 NPT |
| DUCT CONNECTIONS | See Outline Drawing |
| REFRIGERANT | R-410A |
| Ref. Line Connections | Brazed |
| Coupling or Conn. Size — in. Gas | 3/4 |
| Coupling or Conn. Size — in. Liq. | 3/8 |
| DIMENSIONS | H x W x D |
| Crated (In.) | 22-3/4 x 20-1/2 x 24-3/8 |
| Uncrated | 20 x 17-1/2 x 21 |
| WEIGHT | |
| Shipping (Lbs.)/Net (Lbs.) | 53/49 |



| | | | | | | | |
|--|-----|------|-----|------|------|------|------|
| PRESSURE DROP CHARACTERISTICS FOR COIL | | | | | | | |
| M4CXC031AB1CAAA | | | | | | | |
| PRESSURE DROP (INCHES OF WATER) | | | | | | | |
| 0.05 | 0.1 | 0.15 | 0.2 | 0.25 | 0.3 | 0.35 | 0.4 |
| 392 | 597 | 764 | 896 | 1025 | 1133 | 1242 | 1331 |

Mechanical Specifications

- Compatible with R410A and R22 refrigerants.
- Advanced-design blue-enhanced aluminum fins bonded to inner-groove copper pipe.
- Foil-faced thermal insulation prevents sweating.
- Condensate drain pans are built from high-grade, heat-resistant and corrosion-free thermal set material.
- ARI Certified and UL Listed.

Ameristar



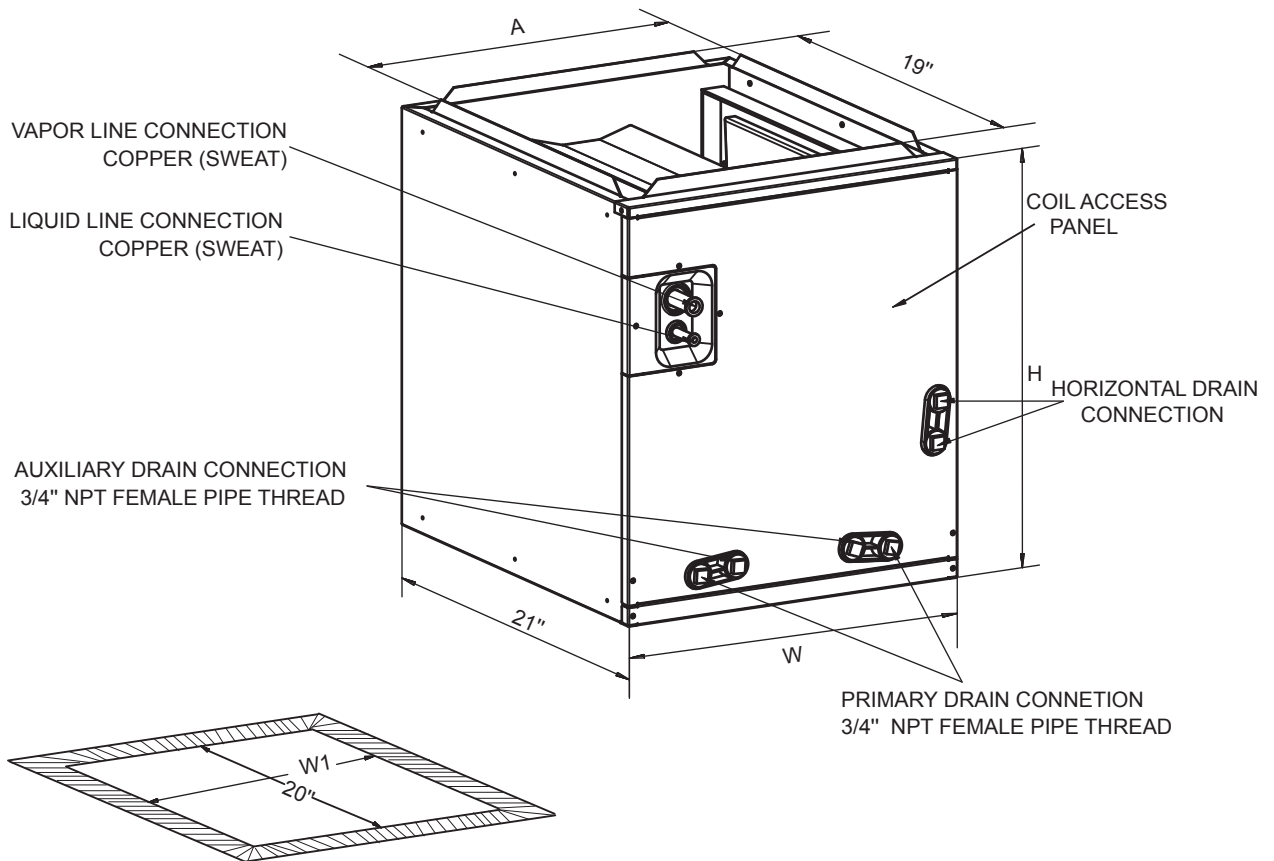
The manufacturer has a policy of continuous product and product data improvement and it reserves the right to change design and specification without notice.

TAG: _____

SUBMITTAL

Cased A-coil

M4CXC032AB1CAAA



NOTE: All dimensions are in mm/inches.

| Model | H | W | A | W1 |
|-----------------|----------|--------------|----------|--------------|
| M4CXC032AB1CAAA | 762 (30) | 445 (17-1/2) | 407 (16) | 419 (16-1/2) |

PRODUCT SPECIFICATIONS

PRODUCT SPECIFICATIONS

| | |
|-----------------------------------|--------------------------|
| MODEL | M4CXC032AB1CAAA |
| RATINGS | See O.D. Specifications |
| INDOOR COIL — Type | Plate Fin |
| Rows — F.P.I. | 2 - 17 |
| Face Area (sq. ft.) | 6.07 |
| Tube Size (in.) | 3/8 |
| Refrigerant Control | Orifice |
| Drain Conn. Size (in.) | 3/4 NPT |
| DUCT CONNECTIONS | See Outline Drawing |
| REFRIGERANT | R-410A |
| Ref. Line Connections | Brazed |
| Coupling or Conn. Size — in. Gas | 3/4 |
| Coupling or Conn. Size — in. Liq. | 3/8 |
| DIMENSIONS | H x W x D |
| Crated (In.) | 32-7/8 x 20-1/2 x 24-3/8 |
| Uncrated | 30 x 17-1/2 x 21 |
| WEIGHT | |
| Shipping (Lbs.)/Net (Lbs.) | 75/70 |



| PRESSURE DROP CHARACTERISTICS FOR COIL | | | | | | | |
|--|-----|------|------|------|------|------|------|
| M4CXC032AB1CAAA | | | | | | | |
| PRESSURE DROP (INCHES OF WATER) | | | | | | | |
| 0.05 | 0.1 | 0.15 | 0.2 | 0.25 | 0.3 | 0.35 | 0.4 |
| 482 | 722 | 886 | 1025 | 1164 | 1284 | 1393 | 1496 |

Mechanical Specifications

- Compatible with R410A and R22 refrigerants.
- Advanced-design blue-enhanced aluminum fins bonded to inner-groove copper pipe.
- Foil-faced thermal insulation prevents sweating.
- Condensate drain pans are built from high-grade, heat-resistant and corrosion-free thermal set material.
- ARI Certified and UL Listed.

Ameristar



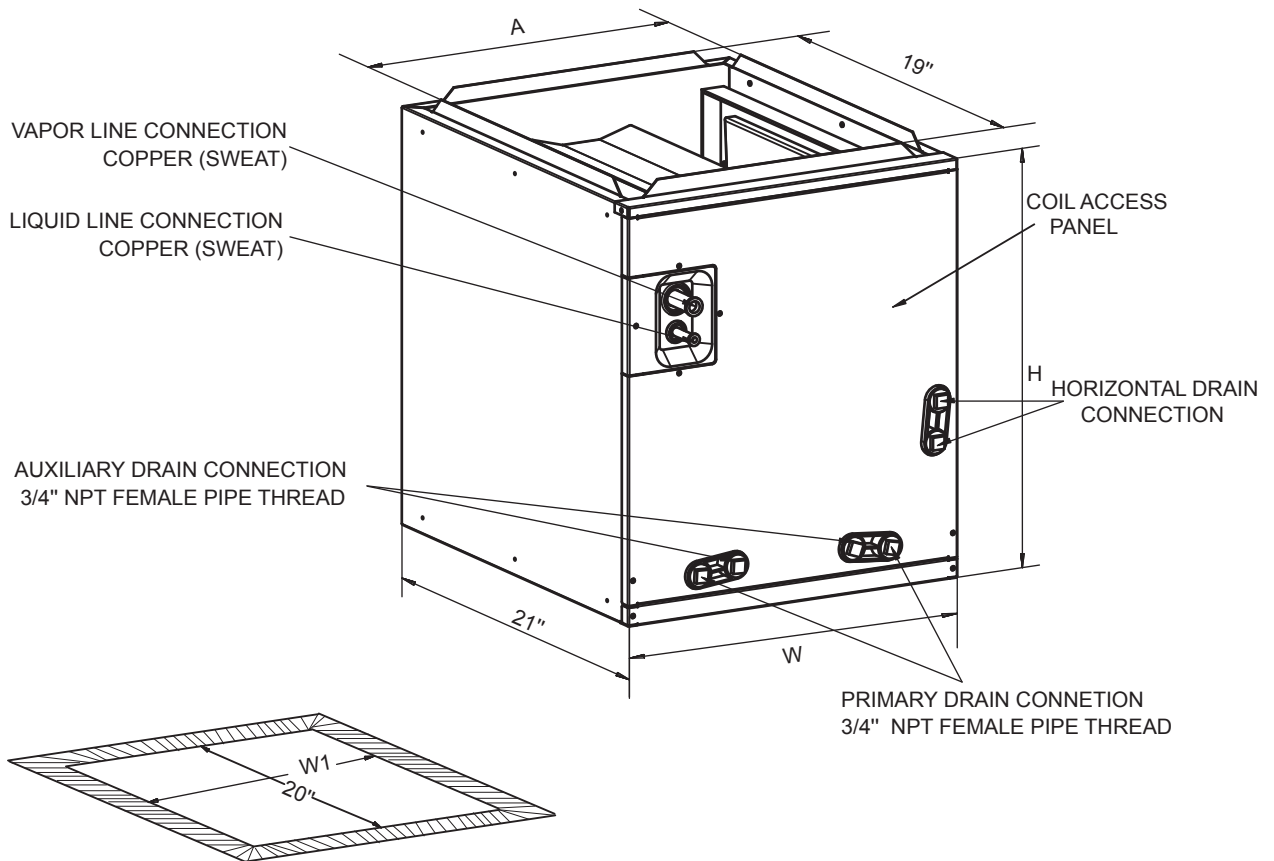
The manufacturer has a policy of continuous product and product data improvement and it reserves the right to change design and specification without notice.

TAG: _____

SUBMITTAL

Cased A-coil

M4CXC035AB1CAAA



NOTE: All dimensions are in mm/inches.

| Model | H | W | A | W1 |
|-----------------|----------|--------------|----------|--------------|
| M4CXC035AB1CAAA | 762 (30) | 445 (17-1/2) | 407 (16) | 419 (16-1/2) |

PRODUCT SPECIFICATIONS

PRODUCT SPECIFICATIONS

| | |
|-----------------------------------|--------------------------|
| MODEL | M4CXC035AB1CAAA |
| RATINGS | See O.D. Specifications |
| INDOOR COIL — Type | Plate Fin |
| Rows — F.P.I. | 3 - 17 |
| Face Area (sq. ft.) | 6.07 |
| Tube Size (in.) | 3/8 |
| Refrigerant Control | Orifice |
| Drain Conn. Size (in.) | 3/4 NPT |
| DUCT CONNECTIONS | See Outline Drawing |
| REFRIGERANT | R-410A |
| Ref. Line Connections | Brazed |
| Coupling or Conn. Size — in. Gas | 7/8 |
| Coupling or Conn. Size — in. Liq. | 3/8 |
| DIMENSIONS | H x W x D |
| Crated (In.) | 32-7/8 x 20-1/2 x 24-3/8 |
| Uncrated | 30 x 17-1/2 x 21 |
| WEIGHT | |
| Shipping (Lbs.)/Net (Lbs.) | 83/79 |



| | | | | | | | |
|--|-----|------|-----|------|------|------|------|
| PRESSURE DROP CHARACTERISTICS FOR COIL | | | | | | | |
| M4CXC035AB1CAAA | | | | | | | |
| PRESSURE DROP (INCHES OF WATER) | | | | | | | |
| 0.05 | 0.1 | 0.15 | 0.2 | 0.25 | 0.3 | 0.35 | 0.4 |
| 362 | 556 | 690 | 810 | 931 | 1034 | 1131 | 1226 |

Mechanical Specifications

- Compatible with R410A and R22 refrigerants.
- Advanced-design blue-enhanced aluminum fins bonded to inner-groove copper pipe.
- Foil-faced thermal insulation prevents sweating.
- Condensate drain pans are built from high-grade, heat-resistant and corrosion-free thermal set material.
- ARI Certified and UL Listed.

Ameristar



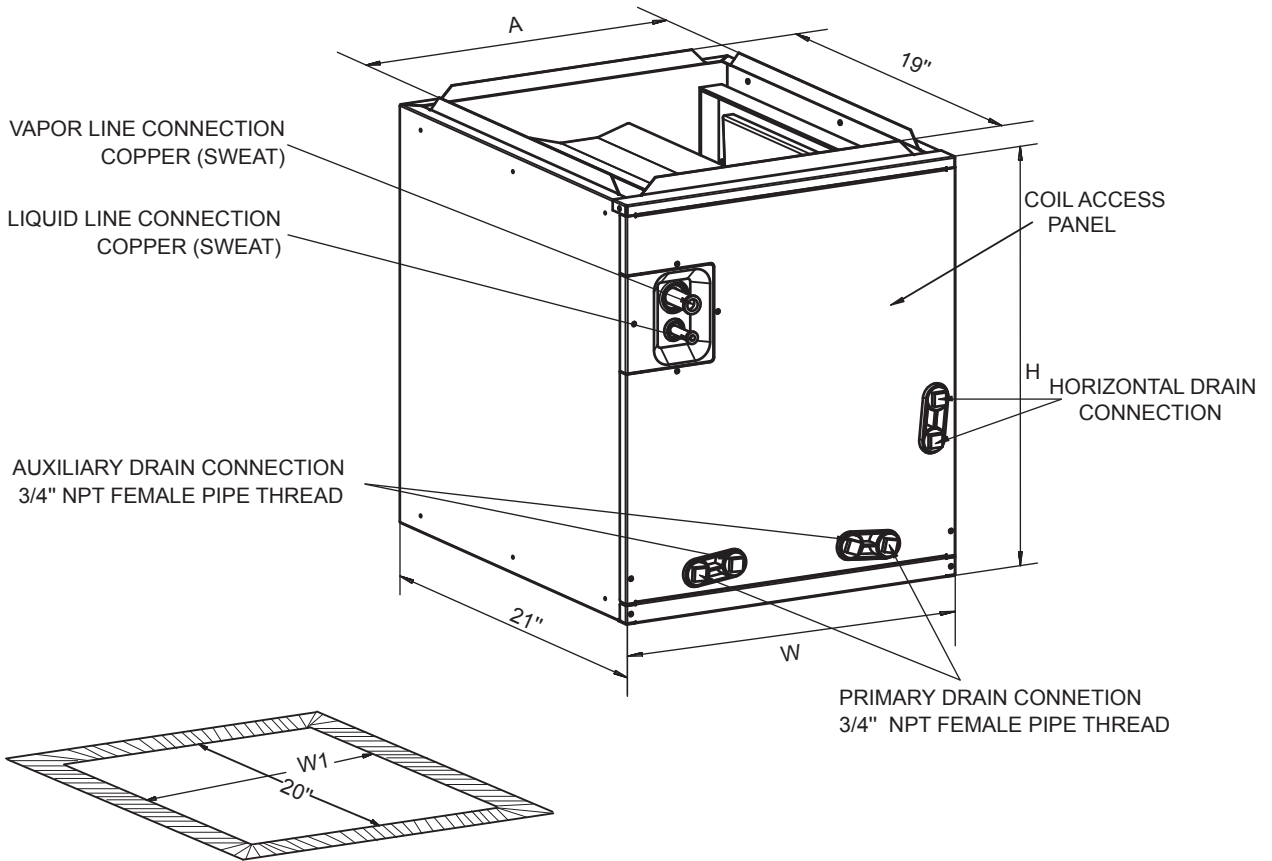
The manufacturer has a policy of continuous product and product data improvement and it reserves the right to change design and specification without notice.

TAG: _____

SUBMITTAL

Cased A-coil

M4CXC035BA1CAAA



NOTE: All dimensions are in mm/inches.

| Model | H | W | A | W1 |
|-----------------|----------|--------------|----------|--------------|
| M4CXC035BA1CAAA | 508 (20) | 368 (14-1/2) | 330 (13) | 343 (13-1/2) |

PRODUCT SPECIFICATIONS

PRODUCT SPECIFICATIONS

| | |
|-----------------------------------|-------------------------|
| MODEL | M4CXC035BA1CAAA |
| RATINGS | See O.D. Specifications |
| INDOOR COIL — Type | Plate Fin |
| Rows — F.P.I. | 4 - 17 |
| Face Area (sq. ft.) | 0.85 |
| Tube Size (in.) | 9/32 |
| Refrigerant Control | Orifice |
| Drain Conn. Size (in.) | 3/4 NPT |
| DUCT CONNECTIONS | See Outline Drawing |
| REFRIGERANT | R-410A |
| Ref. Line Connections | Brazed |
| Coupling or Conn. Size — in. Gas | 3/4 |
| Coupling or Conn. Size — in. Liq. | 3/8 |
| DIMENSIONS | H x W x D |
| Crated (In.) | 22-5/8 x 17-5/8 x 25 |
| Uncrated | 20 x 14-1/2 x 21 |
| WEIGHT | |
| Shipping (Lbs.)/Net (Lbs.) | 54/47 |



| | | | | | | | |
|--|-----|------|-----|------|-----|------|------|
| PRESSURE DROP CHARACTERISTICS FOR COIL | | | | | | | |
| M4CXC035BA1CAAA | | | | | | | |
| PRESSURE DROP (INCHES OF WATER) | | | | | | | |
| 0.05 | 0.1 | 0.15 | 0.2 | 0.25 | 0.3 | 0.35 | 0.4 |
| 320 | 506 | 634 | 741 | 850 | 933 | 1019 | 1095 |

Mechanical Specifications

- Compatible with R410A and R22 refrigerants.
- Advanced-design blue-enhanced aluminum fins bonded to inner-groove copper pipe.
- Foil-faced thermal insulation prevents sweating.
- Condensate drain pans are built from high-grade, heat-resistant and corrosion-free thermal set material.
- Coils match Midea unitary products and many brand-name, popular gas furnaces and split systems.
- ARI Certified and UL Listed.

Ameristar



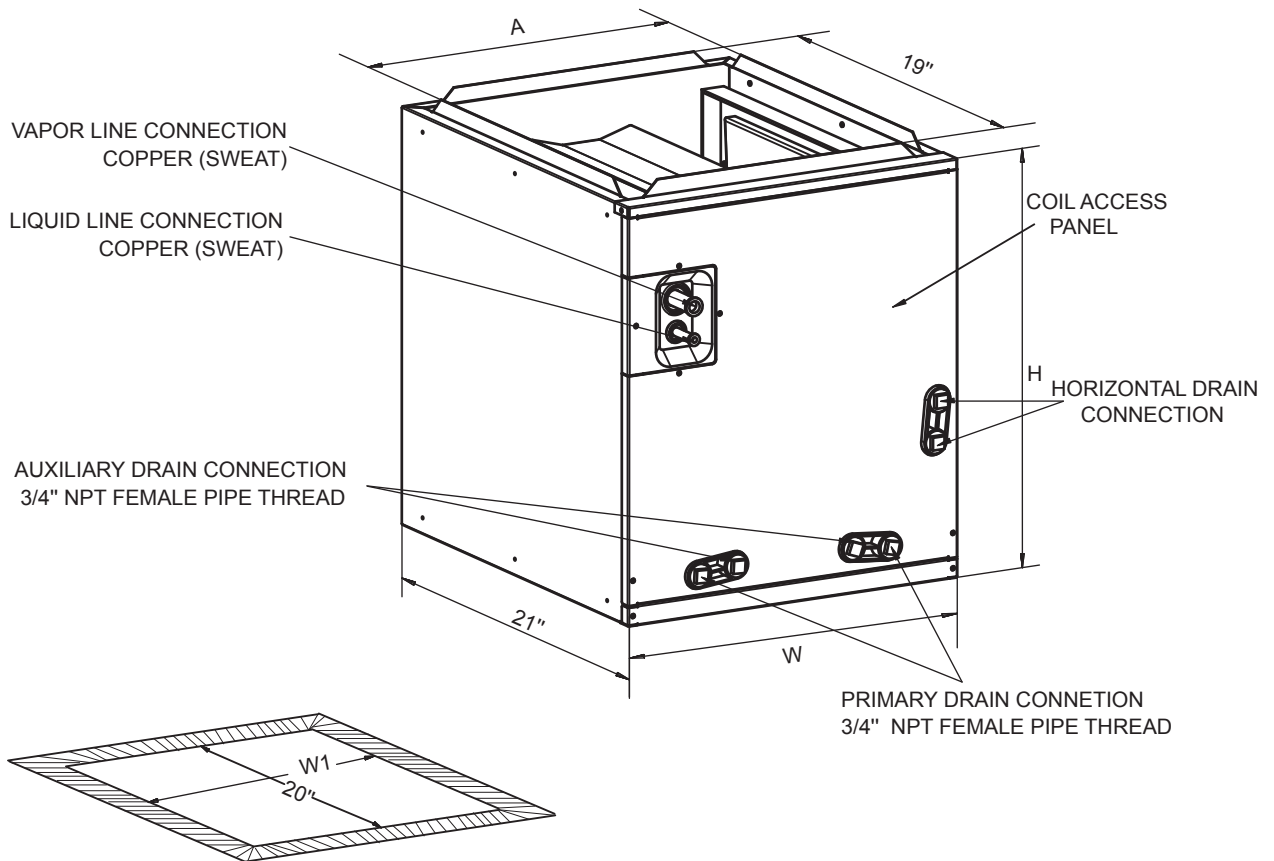
The manufacturer has a policy of continuous product and product data improvement and it reserves the right to change design and specification without notice.

TAG: _____

SUBMITTAL

Cased A-coil

M4CXC035BB1CAAA



NOTE: All dimensions are in mm/inches.

| Model | H | W | A | W1 |
|-----------------|----------|--------------|----------|--------------|
| M4CXC035BB1CAAA | 508 (20) | 445 (17-1/2) | 407 (16) | 419 (16-1/2) |

PRODUCT SPECIFICATIONS

PRODUCT SPECIFICATIONS

| | |
|-----------------------------------|-------------------------|
| MODEL | M4CXC035BB1CAAA |
| RATINGS | See O.D. Specifications |
| INDOOR COIL — Type | Plate Fin |
| Rows — F.P.I. | 4 - 17 |
| Face Area (sq. ft.) | 1.01 |
| Tube Size (in.) | 9/32 |
| Refrigerant Control | Orifice |
| Drain Conn. Size (in.) | 3/4 NPT |
| DUCT CONNECTIONS | See Outline Drawing |
| REFRIGERANT | R-410A |
| Ref. Line Connections | Brazed |
| Coupling or Conn. Size — in. Gas | 3/4 |
| Coupling or Conn. Size — in. Liq. | 3/8 |
| DIMENSIONS | H x W x D |
| Crated (In.) | 22-5/8 x 20-5/8 x 25 |
| Uncrated | 20 x 17-1/2 x 21 |
| WEIGHT | |
| Shipping (Lbs.)/Net (Lbs.) | 56/48.5 |



| | | | | | | | |
|--|-----|------|-----|------|------|------|------|
| PRESSURE DROP CHARACTERISTICS FOR COIL | | | | | | | |
| M4CXC035BB1CAAA | | | | | | | |
| PRESSURE DROP (INCHES OF WATER) | | | | | | | |
| 0.05 | 0.1 | 0.15 | 0.2 | 0.25 | 0.3 | 0.35 | 0.4 |
| 350 | 544 | 710 | 840 | 958 | 1059 | 1158 | 1248 |

Mechanical Specifications

- Compatible with R410A and R22 refrigerants.
- Advanced-design blue-enhanced aluminum fins bonded to inner-groove copper pipe.
- Foil-faced thermal insulation prevents sweating.
- Condensate drain pans are built from high-grade, heat-resistant and corrosion-free thermal set material.
- Coils match Midea unitary products and many brand-name, popular gas furnaces and split systems.
- ARI Certified and UL Listed.

Ameristar



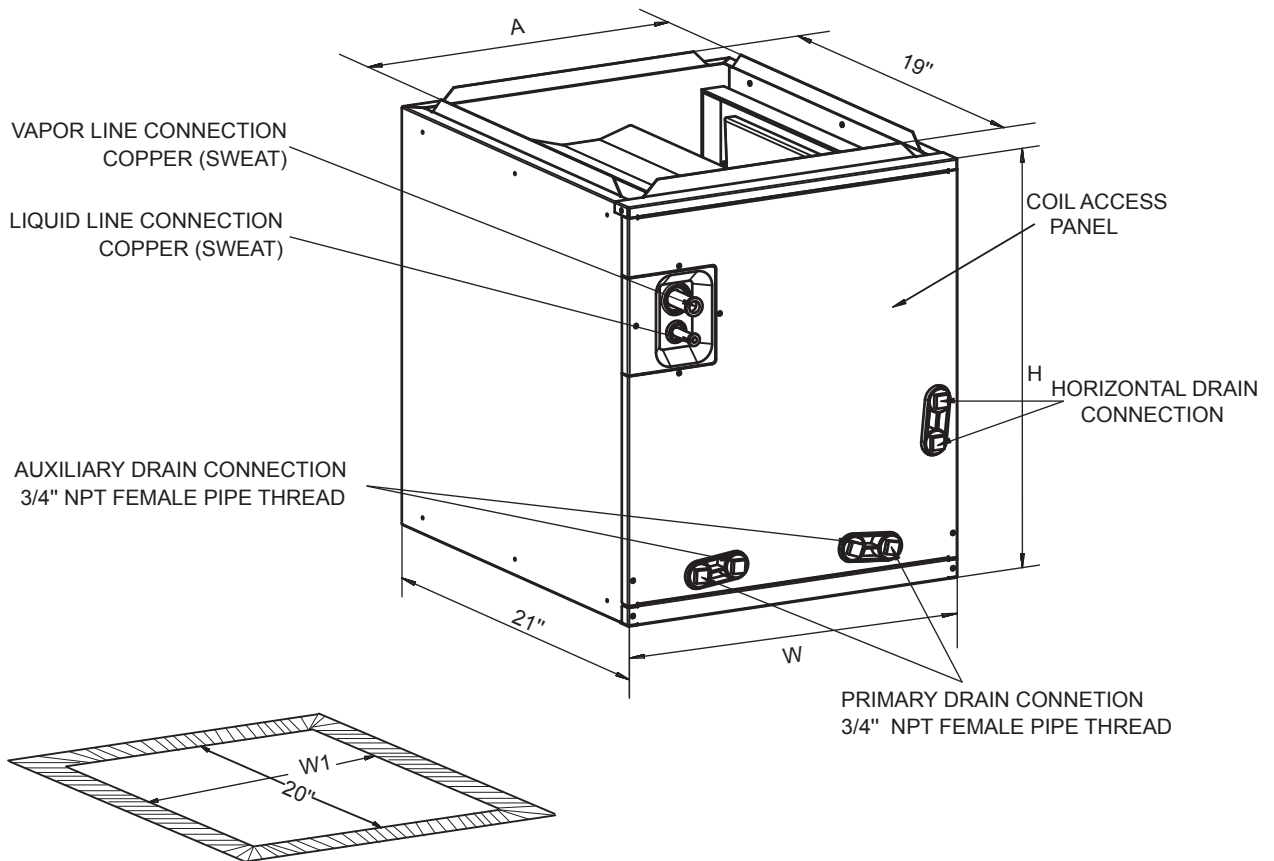
The manufacturer has a policy of continuous product and product data improvement and it reserves the right to change design and specification without notice.

TAG: _____

SUBMITTAL

Cased A-coil

M4CXC035BC1CAAA



NOTE: All dimensions are in mm/inches.

| Model | H | W | A | W1 |
|-----------------|----------|----------|--------------|----------|
| M4CXC035BC1CAAA | 508 (20) | 533 (21) | 495 (19-1/2) | 508 (20) |

PRODUCT SPECIFICATIONS

PRODUCT SPECIFICATIONS

| | |
|-----------------------------------|-------------------------|
| MODEL | M4CXC035BC1CAAA |
| RATINGS | See O.D. Specifications |
| INDOOR COIL — Type | Plate Fin |
| Rows — F.P.I. | 4 - 17 |
| Face Area (sq. ft.) | 1.23 |
| Tube Size (in.) | 9/32 |
| Refrigerant Control | Orifice |
| Drain Conn. Size (in.) | 3/4 NPT |
| DUCT CONNECTIONS | See Outline Drawing |
| REFRIGERANT | R-410A |
| Ref. Line Connections | Brazed |
| Coupling or Conn. Size — in. Gas | 3/4 |
| Coupling or Conn. Size — in. Liq. | 3/8 |
| DIMENSIONS | H x W x D |
| Crated (In.) | 22-5/8 x 24-1/8 x 25 |
| Uncrated | 20 x 21 x 21 |
| WEIGHT | |
| Shipping (Lbs.)/Net (Lbs.) | 58/51 |



| | | | | | | | |
|--|-----|------|-----|------|------|------|------|
| PRESSURE DROP CHARACTERISTICS FOR COIL | | | | | | | |
| M4CXC035BC1CAAA | | | | | | | |
| PRESSURE DROP (INCHES OF WATER) | | | | | | | |
| 0.05 | 0.1 | 0.15 | 0.2 | 0.25 | 0.3 | 0.35 | 0.4 |
| 411 | 637 | 813 | 964 | 1095 | 1220 | 1336 | 1441 |

Mechanical Specifications

- Compatible with R410A and R22 refrigerants.
- Advanced-design blue-enhanced aluminum fins bonded to inner-groove copper pipe.
- Foil-faced thermal insulation prevents sweating.
- Condensate drain pans are built from high-grade, heat-resistant and corrosion-free thermal set material.
- Coils match Midea unitary products and many brand-name, popular gas furnaces and split systems.
- ARI Certified and UL Listed.

Ameristar



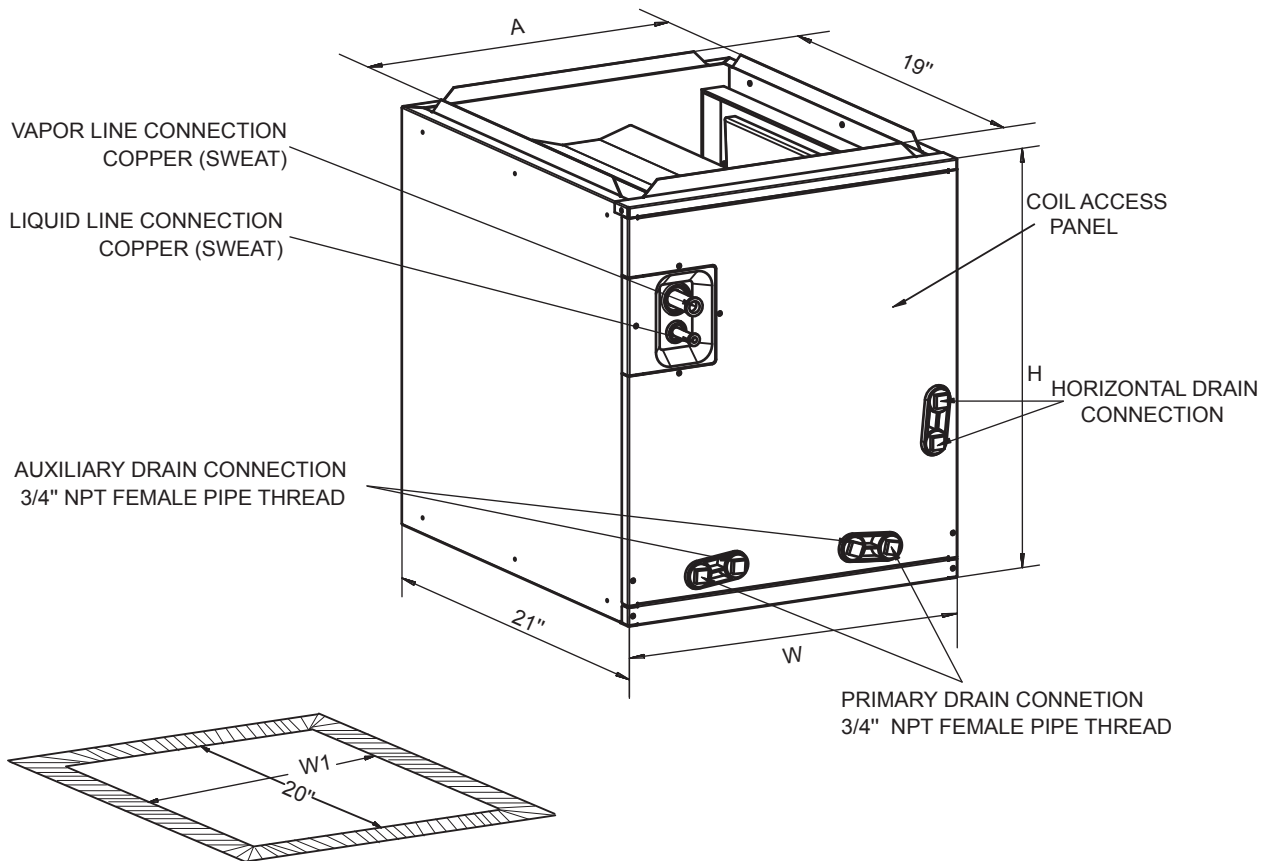
The manufacturer has a policy of continuous product and product data improvement and it reserves the right to change design and specification without notice.

TAG: _____

SUBMITTAL

Cased A-coil

M4CXC036AC1CAAA



NOTE: All dimensions are in mm/inches.

| Model | H | W | A | W1 |
|-----------------|----------|----------|--------------|----------|
| M4CXC036AC1CAAA | 762 (30) | 533 (21) | 495 (19-1/2) | 508 (20) |

PRODUCT SPECIFICATIONS

PRODUCT SPECIFICATIONS

| | |
|-----------------------------------|--------------------------|
| MODEL | M4CXC036AC1CAAA |
| RATINGS | See O.D. Specifications |
| INDOOR COIL — Type | Plate Fin |
| Rows — F.P.I. | 2 - 17 |
| Face Area (sq. ft.) | 6.07 |
| Tube Size (in.) | 3/8 |
| Refrigerant Control | Orifice |
| Drain Conn. Size (in.) | 3/4 NPT |
| DUCT CONNECTIONS | See Outline Drawing |
| REFRIGERANT | R-410A |
| Ref. Line Connections | Brazed |
| Coupling or Conn. Size — in. Gas | 7/8 |
| Coupling or Conn. Size — in. Liq. | 3/8 |
| DIMENSIONS | H x W x D |
| Crated (In.) | 32-7/8 x 24-1/2 x 24-3/8 |
| Uncrated | 30 x 21 x 21 |
| WEIGHT | |
| Shipping (Lbs.)/Net (Lbs.) | 77/72 |



| | | | | | | | |
|--|-----|------|------|------|------|------|------|
| PRESSURE DROP CHARACTERISTICS FOR COIL | | | | | | | |
| M4CXC036AC1CAAA | | | | | | | |
| PRESSURE DROP (INCHES OF WATER) | | | | | | | |
| 0.05 | 0.1 | 0.15 | 0.2 | 0.25 | 0.3 | 0.35 | 0.4 |
| 495 | 751 | 962 | 1130 | 1297 | 1432 | 1564 | 1681 |

Mechanical Specifications

- Compatible with R410A and R22 refrigerants.
- Advanced-design blue-enhanced aluminum fins bonded to inner-groove copper pipe.
- Foil-faced thermal insulation prevents sweating.
- Condensate drain pans are built from high-grade, heat-resistant and corrosion-free thermal set material.
- ARI Certified and UL Listed.

Ameristar



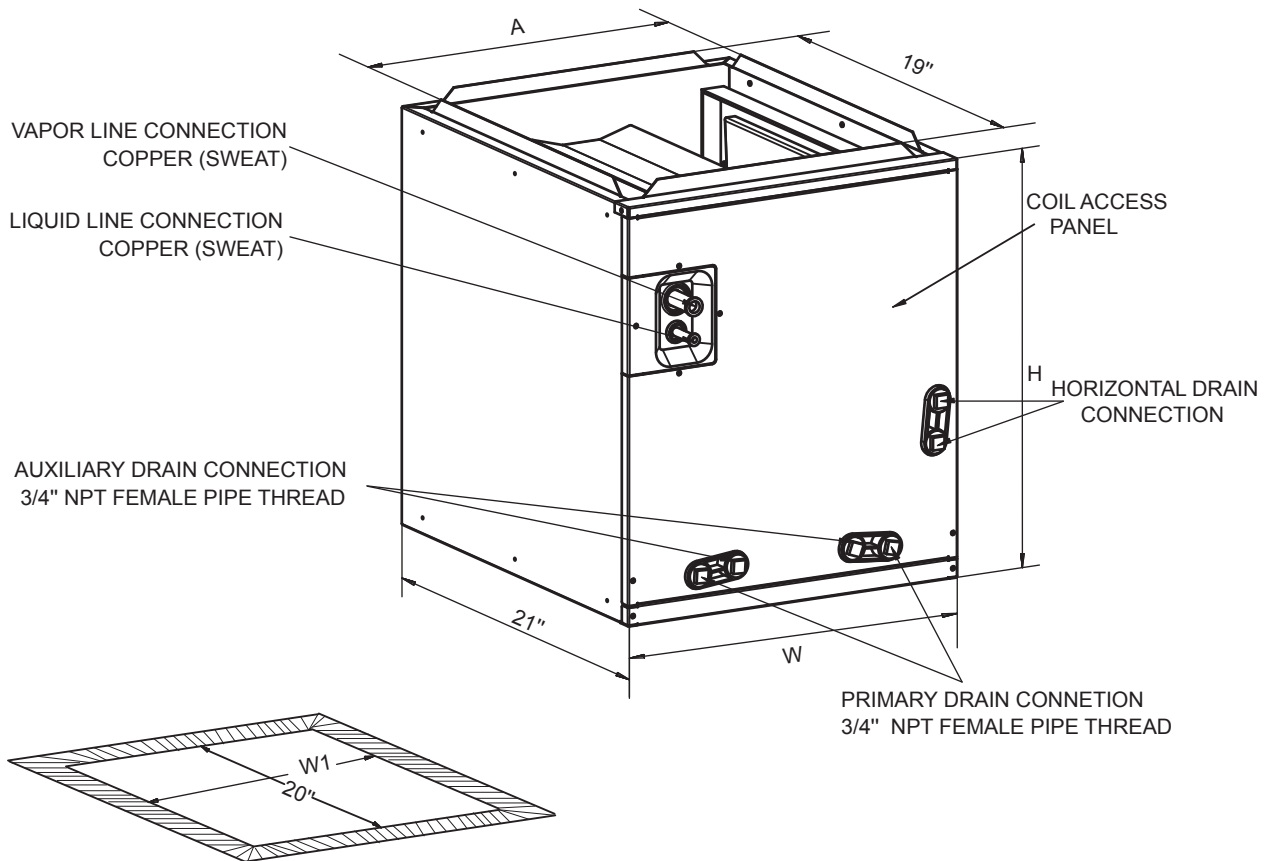
The manufacturer has a policy of continuous product and product data improvement and it reserves the right to change design and specification without notice.

TAG: _____

SUBMITTAL

Cased A-coil

M4CXC036BC1CAAA



NOTE: All dimensions are in mm/inches.

| Model | H | W | A | W1 |
|-----------------|----------|----------|--------------|----------|
| M4CXC036BC1CAAA | 660 (26) | 533 (21) | 495 (19-1/2) | 508 (20) |

PRODUCT SPECIFICATIONS

PRODUCT SPECIFICATIONS

| | |
|-----------------------------------|-------------------------|
| MODEL | M4CXC036BC1CAAA |
| RATINGS | See O.D. Specifications |
| INDOOR COIL — Type | Plate Fin |
| Rows — F.P.I. | 4 - 17 |
| Face Area (sq. ft.) | 1.23 |
| Tube Size (in.) | 9/32 |
| Refrigerant Control | Orifice |
| Drain Conn. Size (in.) | 3/4 NPT |
| DUCT CONNECTIONS | See Outline Drawing |
| REFRIGERANT | R-410A |
| Ref. Line Connections | Brazed |
| Coupling or Conn. Size — in. Gas | 3/4 |
| Coupling or Conn. Size — in. Liq. | 3/8 |
| DIMENSIONS | H x W x D |
| Crated (In.) | 28-1/2 x 24-1/8 x 25 |
| Uncrated | 26 x 21 x 21 |
| WEIGHT | |
| Shipping (Lbs.)/Net (Lbs.) | 70.5/62 |



| | | | | | | | |
|--|-----|------|------|------|------|------|------|
| PRESSURE DROP CHARACTERISTICS FOR COIL | | | | | | | |
| M4CXC036BC1CAAA | | | | | | | |
| PRESSURE DROP (INCHES OF WATER) | | | | | | | |
| 0.05 | 0.1 | 0.15 | 0.2 | 0.25 | 0.3 | 0.35 | 0.4 |
| 438 | 679 | 874 | 1035 | 1183 | 1320 | 1455 | 1568 |

Mechanical Specifications

- Compatible with R410A and R22 refrigerants.
- Advanced-design blue-enhanced aluminum fins bonded to inner-groove copper pipe.
- Foil-faced thermal insulation prevents sweating.
- Condensate drain pans are built from high-grade, heat-resistant and corrosion-free thermal set material.
- Coils match Midea unitary products and many brand-name, popular gas furnaces and split systems.
- ARI Certified and UL Listed.

Ameristar



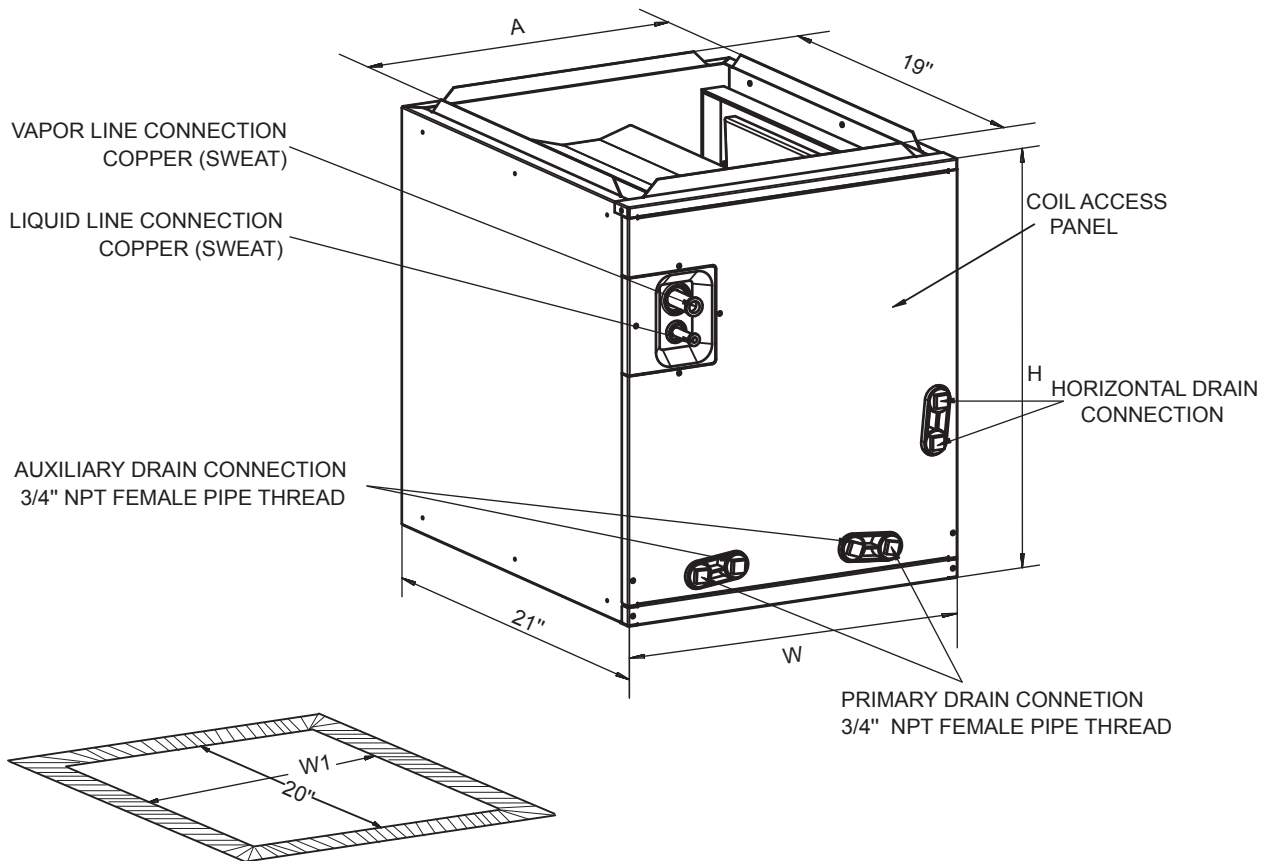
The manufacturer has a policy of continuous product and product data improvement and it reserves the right to change design and specification without notice.

TAG: _____

SUBMITTAL

Cased A-coil

M4CXC042AC1CAAA



NOTE: All dimensions are in mm/inches.

| Model | H | W | A | W1 |
|-----------------|----------|----------|--------------|----------|
| M4CXC042AC1CAAA | 762 (30) | 533 (21) | 495 (19-1/2) | 508 (20) |

PRODUCT SPECIFICATIONS

PRODUCT SPECIFICATIONS

| | |
|-----------------------------------|--------------------------|
| MODEL | M4CXC042AC1CAAA |
| RATINGS | See O.D. Specifications |
| INDOOR COIL — Type | Plate Fin |
| Rows — F.P.I. | 2 - 17 |
| Face Area (sq. ft.) | 6.07 |
| Tube Size (in.) | 3/8 |
| Refrigerant Control | Orifice |
| Drain Conn. Size (in.) | 3/4 NPT |
| DUCT CONNECTIONS | See Outline Drawing |
| REFRIGERANT | R-410A |
| Ref. Line Connections | Brazed |
| Coupling or Conn. Size — in. Gas | 3/4 |
| Coupling or Conn. Size — in. Liq. | 3/8 |
| DIMENSIONS | H x W x D |
| Crated (In.) | 32-7/8 x 24-1/2 x 24-3/8 |
| Uncrated | 30 x 21 x 21 |
| WEIGHT | |
| Shipping (Lbs.)/Net (Lbs.) | 77/72 |



| PRESSURE DROP CHARACTERISTICS FOR COIL | | | | | | | |
|--|-----|------|------|------|------|------|------|
| M4CXC042AC1CAAA | | | | | | | |
| PRESSURE DROP (INCHES OF WATER) | | | | | | | |
| 0.05 | 0.1 | 0.15 | 0.2 | 0.25 | 0.3 | 0.35 | 0.4 |
| 495 | 751 | 962 | 1130 | 1297 | 1432 | 1564 | 1681 |

Mechanical Specifications

- Compatible with R410A and R22 refrigerants.
- Advanced-design blue-enhanced aluminum fins bonded to inner-groove copper pipe.
- Foil-faced thermal insulation prevents sweating.
- Condensate drain pans are built from high-grade, heat-resistant and corrosion-free thermal set material.
- ARI Certified and UL Listed.

Ameristar



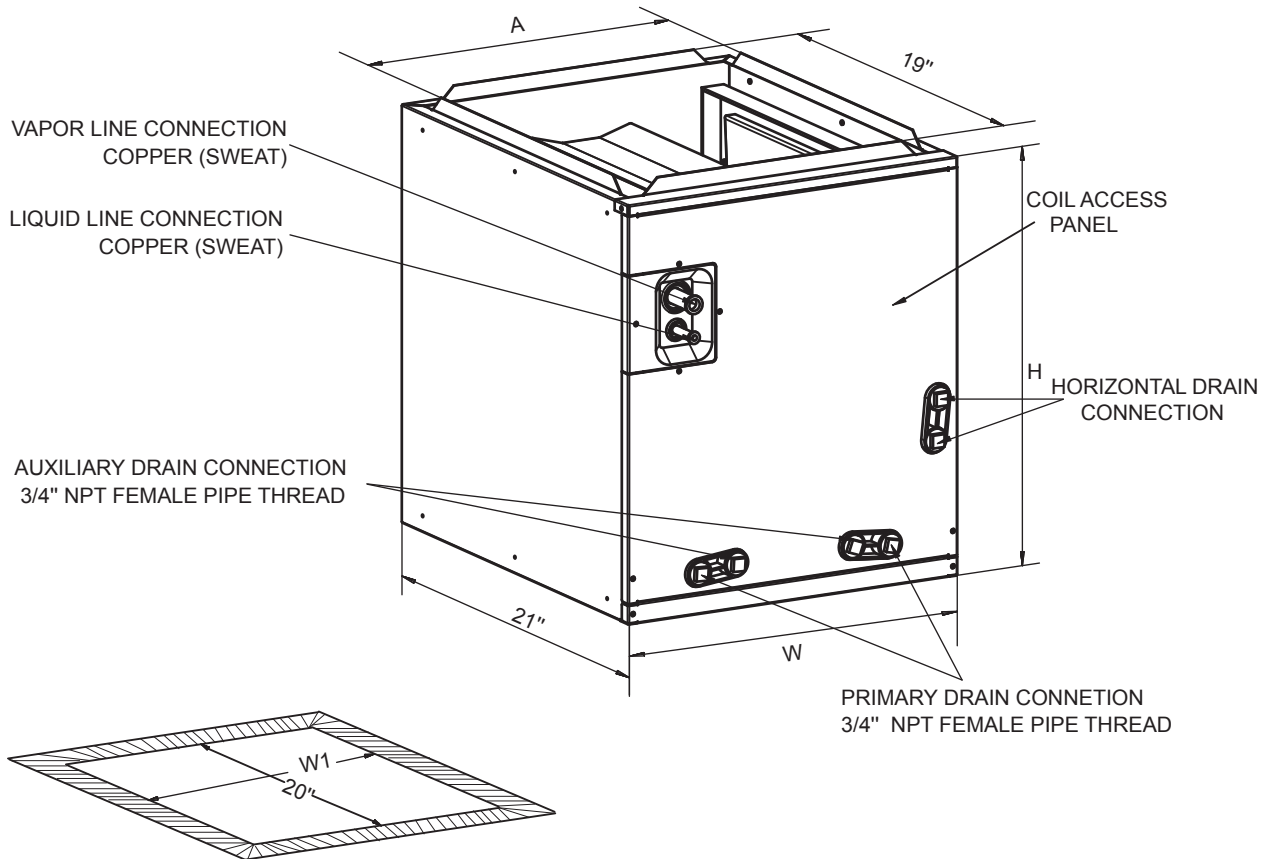
The manufacturer has a policy of continuous product and product data improvement and it reserves the right to change design and specification without notice.

TAG: _____

SUBMITTAL

Cased A-coil

M4CXC042BB 1CAAA



NOTE: All dimensions are in mm/inches.

| Model | H | W | A | W1 |
|------------------|----------|--------------|----------|--------------|
| M4CXC042BB 1CAAA | 660 (26) | 445 (17-1/2) | 407 (16) | 419 (16-1/2) |

PRODUCT SPECIFICATIONS

PRODUCT SPECIFICATIONS

| | |
|-----------------------------------|-------------------------|
| MODEL | M4CXC042BB1CAAA |
| RATINGS | See O.D. Specifications |
| INDOOR COIL — Type | Plate Fin |
| Rows — F.P.I. | 4 - 17 |
| Face Area (sq. ft.) | 1.01 |
| Tube Size (in.) | 9/32 |
| Refrigerant Control | Orifice |
| Drain Conn. Size (in.) | 3/4 NPT |
| DUCT CONNECTIONS | See Outline Drawing |
| REFRIGERANT | R-410A |
| Ref. Line Connections | Brazed |
| Coupling or Conn. Size — in. Gas | 7/8 |
| Coupling or Conn. Size — in. Liq. | 3/8 |
| DIMENSIONS | H x W x D |
| Crated (In.) | 28-1/2 x 20-5/8 x 25 |
| Uncrated | 26 x 17-1/2 x 21 |
| WEIGHT | |
| Shipping (Lbs.)/Net (Lbs.) | 70.5/64 |



| | | | | | | | |
|--|-----|------|-----|------|------|------|------|
| PRESSURE DROP CHARACTERISTICS FOR COIL | | | | | | | |
| M4CXC042BB1CAAA | | | | | | | |
| PRESSURE DROP (INCHES OF WATER) | | | | | | | |
| 0.05 | 0.1 | 0.15 | 0.2 | 0.25 | 0.3 | 0.35 | 0.4 |
| 420 | 655 | 823 | 968 | 1095 | 1211 | 1321 | 1426 |

Mechanical Specifications

- Compatible with R410A and R22 refrigerants.
- Advanced-design blue-enhanced aluminum fins bonded to inner-groove copper pipe.
- Foil-faced thermal insulation prevents sweating.
- Condensate drain pans are built from high-grade, heat-resistant and corrosion-free thermal set material.
- Coils match Midea unitary products and many brand-name, popular gas furnaces and split systems.
- ARI Certified and UL Listed.

Ameristar



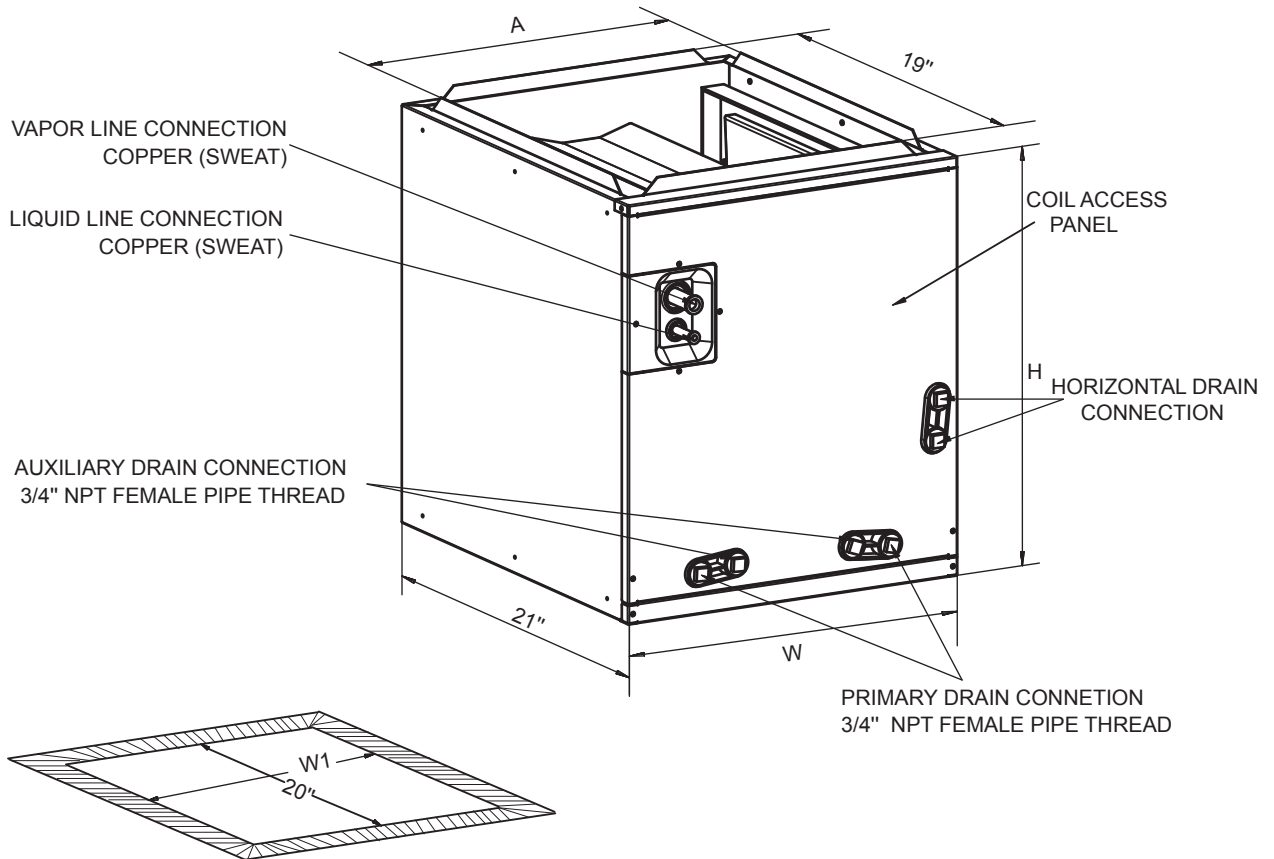
The manufacturer has a policy of continuous product and product data improvement and it reserves the right to change design and specification without notice.

TAG: _____

SUBMITTAL

Cased A-coil

M4CXC048AB1CAAA



NOTE: All dimensions are in mm/inches.

| Model | H | W | A | W1 |
|-----------------|----------|--------------|----------|--------------|
| M4CXC048AB1CAAA | 762 (30) | 445 (17-1/2) | 407 (16) | 419 (16-1/2) |

PRODUCT SPECIFICATIONS

PRODUCT SPECIFICATIONS

| | |
|-----------------------------------|--------------------------|
| MODEL | M4CXC048AB1CAAA |
| RATINGS | See O.D. Specifications |
| INDOOR COIL — Type | Plate Fin |
| Rows — F.P.I. | 3 - 17 |
| Face Area (sq. ft.) | 6.07 |
| Tube Size (in.) | 3/8 |
| Refrigerant Control | Orifice |
| Drain Conn. Size (in.) | 3/4 NPT |
| DUCT CONNECTIONS | See Outline Drawing |
| REFRIGERANT | R-410A |
| Ref. Line Connections | Brazed |
| Coupling or Conn. Size — in. Gas | 7/8 |
| Coupling or Conn. Size — in. Liq. | 3/8 |
| DIMENSIONS | H x W x D |
| Crated (In.) | 32-7/8 x 20-1/2 x 24-3/8 |
| Uncrated | 30 x 17-1/2 x 21 |
| WEIGHT | |
| Shipping (Lbs.)/Net (Lbs.) | 83/79 |



| | | | | | | | |
|--|-----|------|-----|------|------|------|------|
| PRESSURE DROP CHARACTERISTICS FOR COIL | | | | | | | |
| M4CXC048AB1CAAA | | | | | | | |
| PRESSURE DROP (INCHES OF WATER) | | | | | | | |
| 0.05 | 0.1 | 0.15 | 0.2 | 0.25 | 0.3 | 0.35 | 0.4 |
| 362 | 556 | 690 | 810 | 931 | 1034 | 1131 | 1226 |

Mechanical Specifications

- Compatible with R410A and R22 refrigerants.
- Advanced-design blue-enhanced aluminum fins bonded to inner-groove copper pipe.
- Foil-faced thermal insulation prevents sweating.
- Condensate drain pans are built from high-grade, heat-resistant and corrosion-free thermal set material.
- ARI Certified and UL Listed.

Ameristar



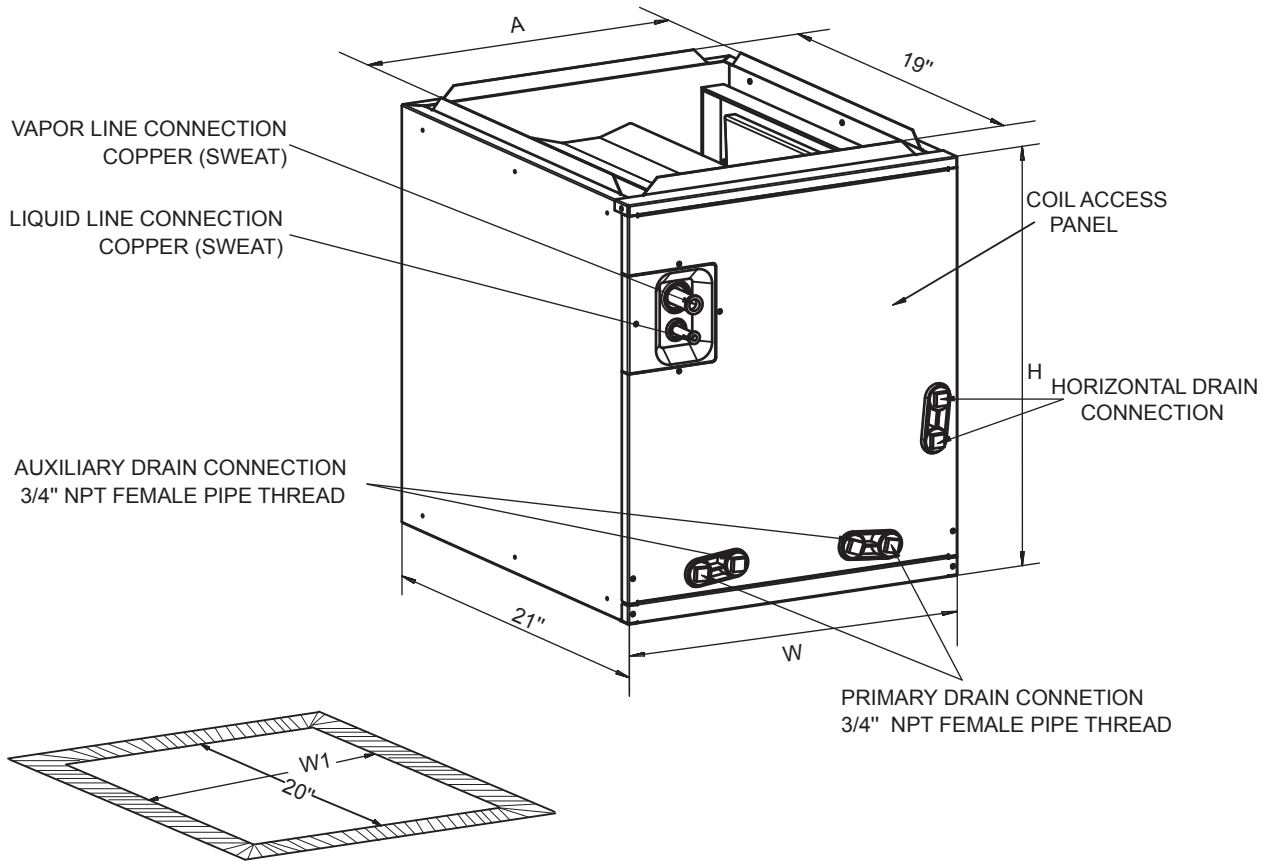
The manufacturer has a policy of continuous product and product data improvement and it reserves the right to change design and specification without notice.

TAG: _____

SUBMITTAL

Cased A-coil

M4CXC048BC1CAAA



NOTE: All dimensions are in mm/inches.

| Model | H | W | A | W1 |
|-----------------|----------|----------|--------------|----------|
| M4CXC048BC1CAAA | 660 (26) | 533 (21) | 495 (19-1/2) | 508 (20) |

PRODUCT SPECIFICATIONS

PRODUCT SPECIFICATIONS

| | |
|-----------------------------------|-------------------------|
| MODEL | M4CXC048BC1CAAA |
| RATINGS | See O.D. Specifications |
| INDOOR COIL — Type | Plate Fin |
| Rows — F.P.I. | 4 - 17 |
| Face Area (sq. ft.) | 1.23 |
| Tube Size (in.) | 9/32 |
| Refrigerant Control | Orifice |
| Drain Conn. Size (in.) | 3/4 NPT |
| DUCT CONNECTIONS | See Outline Drawing |
| REFRIGERANT | R-410A |
| Ref. Line Connections | Brazed |
| Coupling or Conn. Size — in. Gas | 7/8 |
| Coupling or Conn. Size — in. Liq. | 3/8 |
| DIMENSIONS | H x W x D |
| Crated (In.) | 28-1/2 x 24-1/8 x 25 |
| Uncrated | 26 x 21 x 21 |
| WEIGHT | |
| Shipping (Lbs.)/Net (Lbs.) | 74/68 |



| | | | | | | | |
|--|-----|------|------|------|------|------|------|
| PRESSURE DROP CHARACTERISTICS FOR COIL | | | | | | | |
| M4CXC048BC1CAAA | | | | | | | |
| PRESSURE DROP (INCHES OF WATER) | | | | | | | |
| 0.05 | 0.1 | 0.15 | 0.2 | 0.25 | 0.3 | 0.35 | 0.4 |
| 492 | 759 | 956 | 1110 | 1274 | 1428 | 1551 | 1678 |

Mechanical Specifications

- Compatible with R410A and R22 refrigerants.
- Advanced-design blue-enhanced aluminum fins bonded to inner-groove copper pipe.
- Foil-faced thermal insulation prevents sweating.
- Condensate drain pans are built from high-grade, heat-resistant and corrosion-free thermal set material.
- Coils match Midea unitary products and many brand-name, popular gas furnaces and split systems.
- ARI Certified and UL Listed.

Ameristar



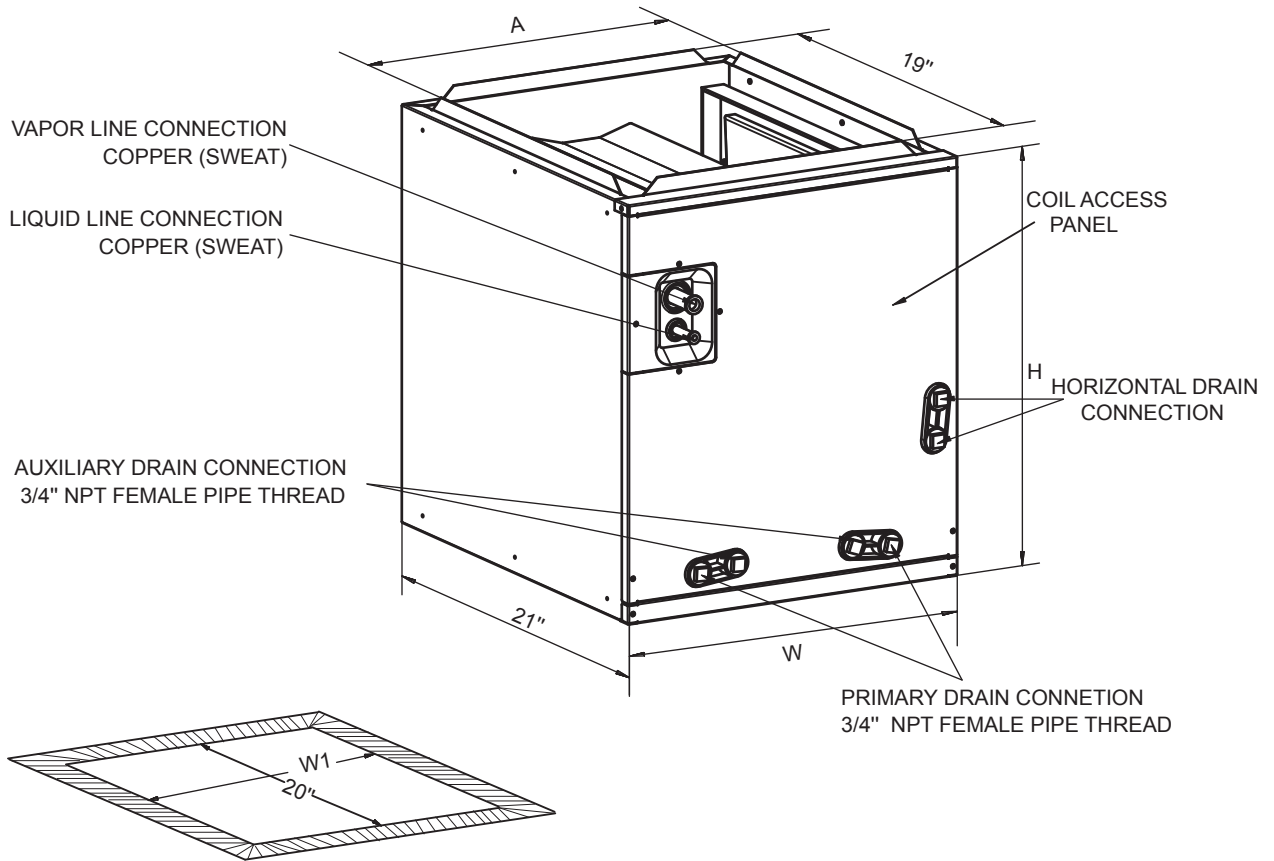
The manufacturer has a policy of continuous product and product data improvement and it reserves the right to change design and specification without notice.

TAG: _____

SUBMITTAL

Cased A-coil

M4CXC049AC1CAAA



NOTE: All dimensions are in mm/inches.

| Model | H | W | A | W1 |
|-----------------|----------|----------|--------------|----------|
| M4CXC049AC1CAAA | 762 (30) | 533 (21) | 495 (19-1/2) | 508 (20) |

PRODUCT SPECIFICATIONS

PRODUCT SPECIFICATIONS

| | |
|-----------------------------------|--------------------------|
| MODEL | M4CXC049AC1CAAA |
| RATINGS | See O.D. Specifications |
| INDOOR COIL — Type | Plate Fin |
| Rows — F.P.I. | 3 - 17 |
| Face Area (sq. ft.) | 6.07 |
| Tube Size (in.) | 3/8 |
| Refrigerant Control | Orifice |
| Drain Conn. Size (in.) | 3/4 NPT |
| DUCT CONNECTIONS | See Outline Drawing |
| REFRIGERANT | R-410A |
| Ref. Line Connections | Brazed |
| Coupling or Conn. Size — in. Gas | 7/8 |
| Coupling or Conn. Size — in. Liq. | 3/8 |
| DIMENSIONS | H x W x D |
| Crated (In.) | 32-7/8 x 24-1/2 x 24-3/8 |
| Uncrated | 30 x 21 x 21 |
| WEIGHT | |
| Shipping (Lbs.)/Net (Lbs.) | 88/83 |



| | | | | | | | |
|--|-----|------|------|------|------|------|------|
| PRESSURE DROP CHARACTERISTICS FOR COIL | | | | | | | |
| M4CXC049AC1CAAA | | | | | | | |
| PRESSURE DROP (INCHES OF WATER) | | | | | | | |
| 0.05 | 0.1 | 0.15 | 0.2 | 0.25 | 0.3 | 0.35 | 0.4 |
| 495 | 751 | 962 | 1130 | 1297 | 1432 | 1564 | 1681 |

Mechanical Specifications

- Compatible with R410A and R22 refrigerants.
- Advanced-design blue-enhanced aluminum fins bonded to inner-groove copper pipe.
- Foil-faced thermal insulation prevents sweating.
- Condensate drain pans are built from high-grade, heat-resistant and corrosion-free thermal set material.
- ARI Certified and UL Listed.

Ameristar



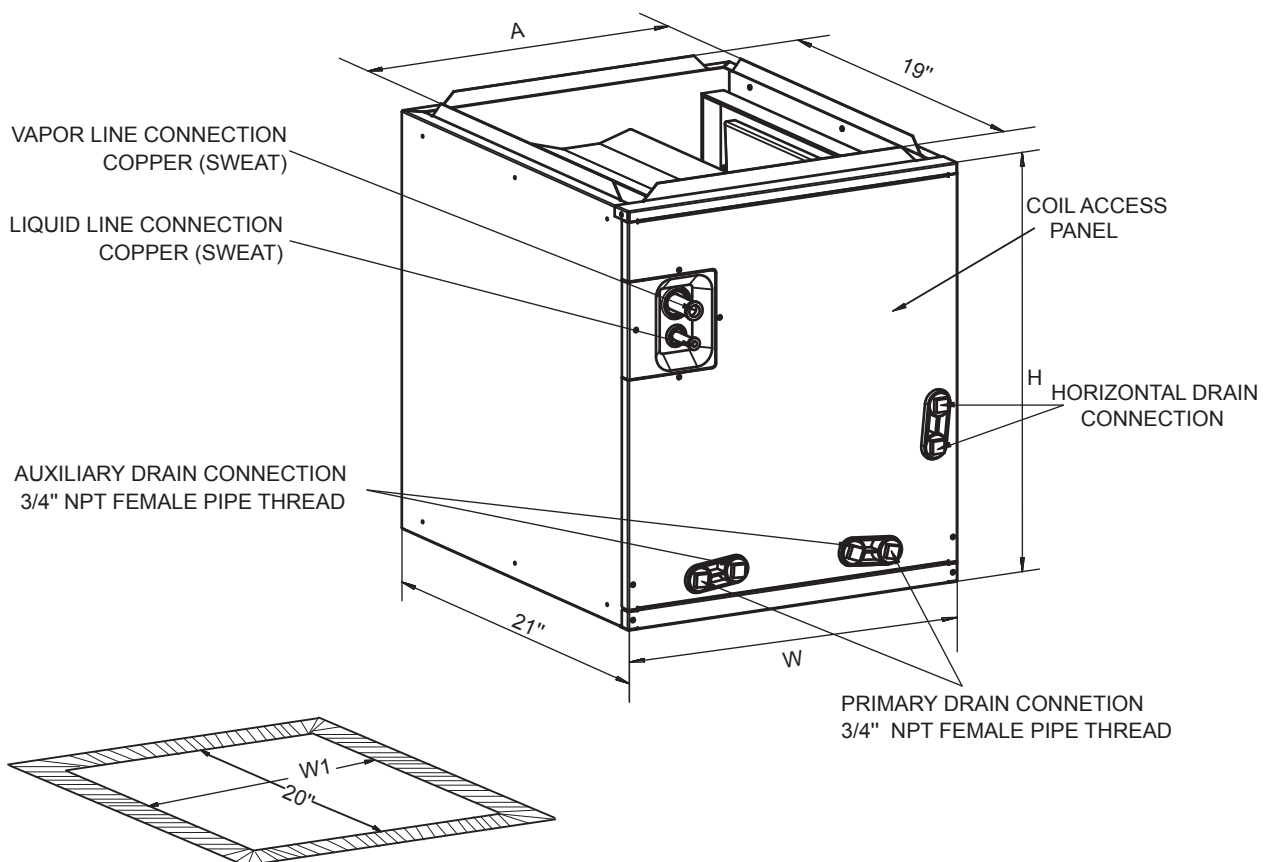
The manufacturer has a policy of continuous product and product data improvement and it reserves the right to change design and specification without notice.

TAG: _____

SUBMITTAL

Cased A-coil

M4CXC049BC1CAAA



NOTE: All dimensions are in mm/inches.

| Model | H | W | A | W1 |
|-----------------|----------|----------|--------------|----------|
| M4CXC049BC1CAAA | 762 (30) | 533 (21) | 495 (19-1/2) | 508 (20) |

PRODUCT SPECIFICATIONS

PRODUCT SPECIFICATIONS

| | |
|-----------------------------------|-------------------------|
| MODEL | M4CXC049BC1CAAA |
| RATINGS | See O.D. Specifications |
| INDOOR COIL — Type | Plate Fin |
| Rows — F.P.I. | 3 - 17 |
| Face Area (sq. ft.) | 1.23 |
| Tube Size (in.) | 3/8 |
| Refrigerant Control | Orifice |
| Drain Conn. Size (in.) | 3/4 NPT |
| DUCT CONNECTIONS | See Outline Drawing |
| REFRIGERANT | R-410A |
| Ref. Line Connections | Brazed |
| Coupling or Conn. Size — in. Gas | 7/8 |
| Coupling or Conn. Size — in. Liq. | 3/8 |
| DIMENSIONS | H x W x D |
| Crated (In.) | 32-7/8 x 24-1/8 x 25 |
| Uncrated | 30 x 21 x 21 |
| WEIGHT | |
| Shipping (Lbs.)/Net (Lbs.) | 88/83 |



| | | | | | | | |
|--|-----|------|------|------|------|------|------|
| PRESSURE DROP CHARACTERISTICS FOR COIL | | | | | | | |
| M4CXC049BC1CAAA | | | | | | | |
| PRESSURE DROP (INCHES OF WATER) | | | | | | | |
| 0.05 | 0.1 | 0.15 | 0.2 | 0.25 | 0.3 | 0.35 | 0.4 |
| 495 | 751 | 962 | 1130 | 1297 | 1432 | 1564 | 1681 |

Mechanical Specifications

- Compatible with R410A and R22 refrigerants.
- Advanced-design blue-enhanced aluminum fins bonded to inner-groove copper pipe.
- Foil-faced thermal insulation prevents sweating.
- Condensate drain pans are built from high-grade, heat-resistant and corrosion-free thermal set material.
- Coils match Midea unitary products and many brand-name, popular gas furnaces and split systems.
- ARI Certified and UL Listed.

Ameristar



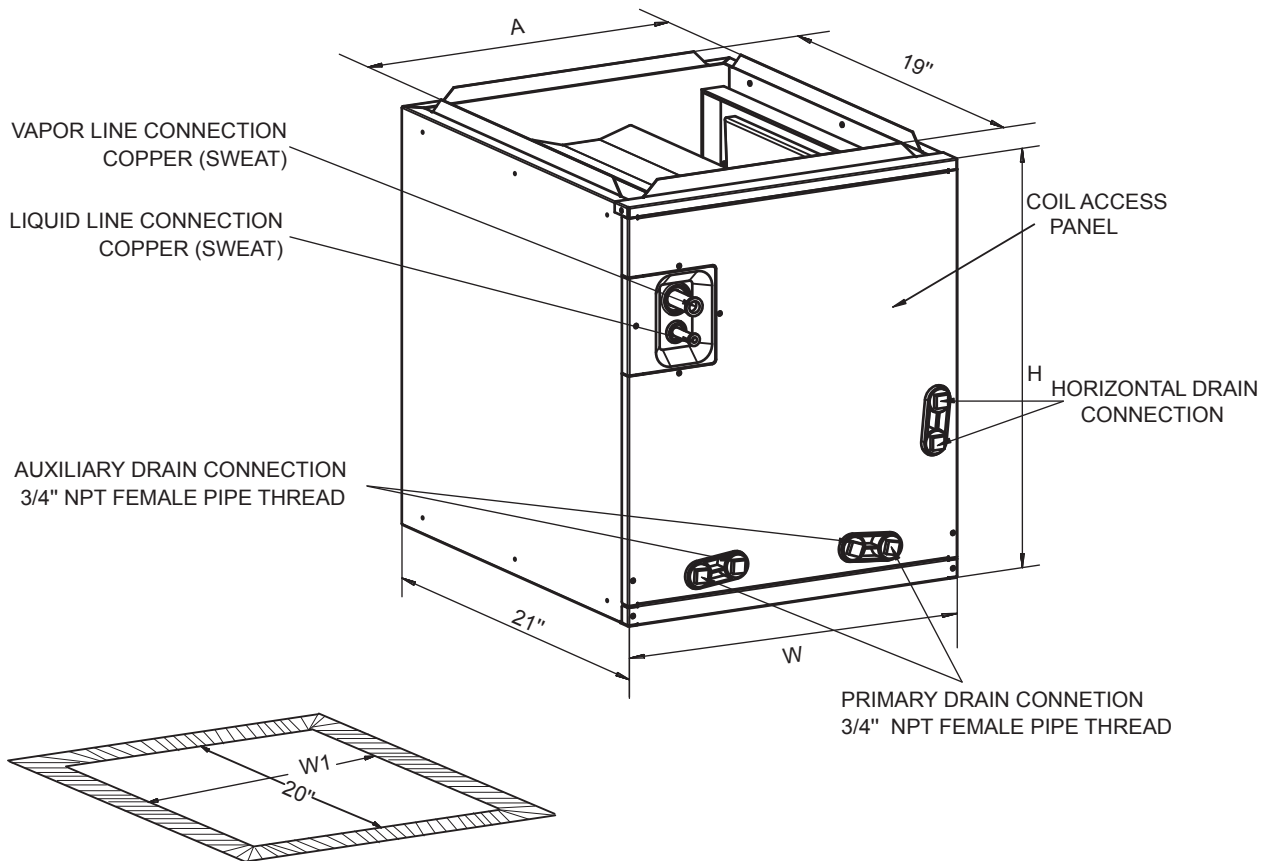
The manufacturer has a policy of continuous product and product data improvement and it reserves the right to change design and specification without notice.

TAG: _____

SUBMITTAL

Cased A-coil

M4CXC060AC1CAAA



NOTE: All dimensions are in mm/inches.

| Model | H | W | A | W1 |
|-----------------|----------|----------|--------------|----------|
| M4CXC060AC1CAAA | 762 (30) | 533 (21) | 495 (19-1/2) | 508 (20) |

PRODUCT SPECIFICATIONS

PRODUCT SPECIFICATIONS

| | |
|-----------------------------------|--------------------------|
| MODEL | M4CXC060AC1CAAA |
| RATINGS | See O.D. Specifications |
| INDOOR COIL — Type | Plate Fin |
| Rows — F.P.I. | 3 - 17 |
| Face Area (sq. ft.) | 6.07 |
| Tube Size (in.) | 3/8 |
| Refrigerant Control | Orifice |
| Drain Conn. Size (in.) | 3/4 NPT |
| DUCT CONNECTIONS | See Outline Drawing |
| REFRIGERANT | R-410A |
| Ref. Line Connections | Brazed |
| Coupling or Conn. Size — in. Gas | 7/8 |
| Coupling or Conn. Size — in. Liq. | 3/8 |
| DIMENSIONS | H x W x D |
| Crated (In.) | 32-7/8 x 24-1/2 x 24-3/8 |
| Uncrated | 30 x 21 x 21 |
| WEIGHT | |
| Shipping (Lbs.)/Net (Lbs.) | 88/83 |



| | | | | | | | |
|--|-----|------|------|------|------|------|------|
| PRESSURE DROP CHARACTERISTICS FOR COIL | | | | | | | |
| M4CXC060AC1CAAA | | | | | | | |
| PRESSURE DROP (INCHES OF WATER) | | | | | | | |
| 0.05 | 0.1 | 0.15 | 0.2 | 0.25 | 0.3 | 0.35 | 0.4 |
| 495 | 751 | 962 | 1130 | 1297 | 1432 | 1564 | 1681 |

Mechanical Specifications

- Compatible with R410A and R22 refrigerants.
- Advanced-design blue-enhanced aluminum fins bonded to inner-groove copper pipe.
- Foil-faced thermal insulation prevents sweating.
- Condensate drain pans are built from high-grade, heat-resistant and corrosion-free thermal set material.
- ARI Certified and UL Listed.

Ameristar



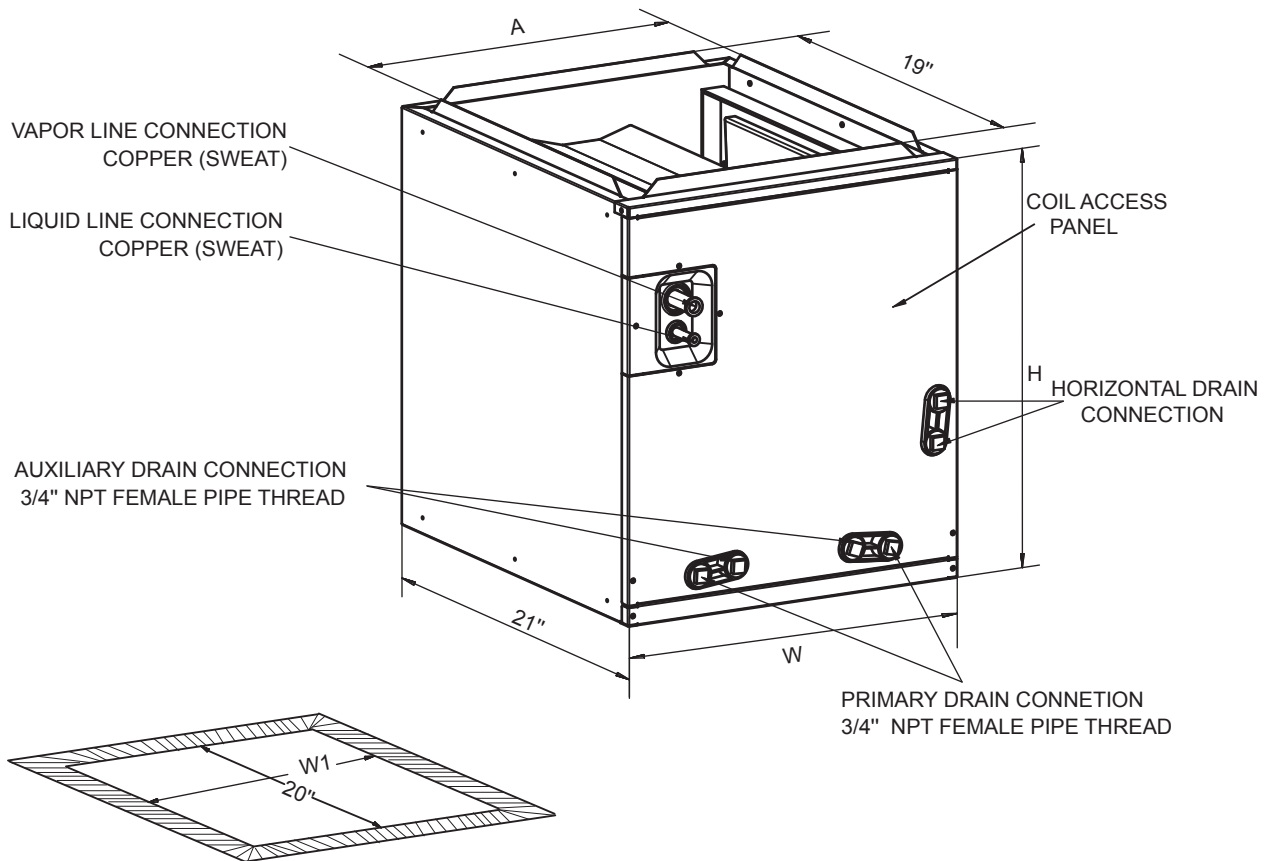
The manufacturer has a policy of continuous product and product data improvement and it reserves the right to change design and specification without notice.

TAG: _____

SUBMITTAL

Cased A-coil

M4CXC060BD 1CAAA



NOTE: All dimensions are in mm/inches.

| Model | H | W | A | W1 |
|------------------|----------|--------------|----------|-------------|
| M4CXC060BD 1CAAA | 660 (26) | 622 (24-1/2) | 584 (23) | 597(23-1/2) |

PRODUCT SPECIFICATIONS

PRODUCT SPECIFICATIONS

| | |
|-----------------------------------|-------------------------|
| MODEL | M4CXC060BD1CAAA |
| RATINGS | See O.D. Specifications |
| INDOOR COIL — Type | Plate Fin |
| Rows — F.P.I. | 4 - 17 |
| Face Area (sq. ft.) | 1.63 |
| Tube Size (in.) | 9/32 |
| Refrigerant Control | Orifice |
| Drain Conn. Size (in.) | 3/4 NPT |
| DUCT CONNECTIONS | See Outline Drawing |
| REFRIGERANT | R-410A |
| Ref. Line Connections | Brazed |
| Coupling or Conn. Size — in. Gas | 7/8 |
| Coupling or Conn. Size — in. Liq. | 3/8 |
| DIMENSIONS | H x W x D |
| Crated (In.) | 28-1/2 x 27-1/2 x 25 |
| Uncrated | 26 x 24-1/2 x 21 |
| WEIGHT | |
| Shipping (Lbs.)/Net (Lbs.) | 79.5/71.5 |



| | | | | | | | |
|--|-----|------|------|------|------|------|------|
| PRESSURE DROP CHARACTERISTICS FOR COIL | | | | | | | |
| M4CXC060BD1CAAA | | | | | | | |
| PRESSURE DROP (INCHES OF WATER) | | | | | | | |
| 0.05 | 0.1 | 0.15 | 0.2 | 0.25 | 0.3 | 0.35 | 0.4 |
| 544 | 837 | 1075 | 1276 | 1473 | 1634 | 1797 | 1933 |

Mechanical Specifications

- Compatible with R410A and R22 refrigerants.
- Advanced-design blue-enhanced aluminum fins bonded to inner-groove copper pipe.
- Foil-faced thermal insulation prevents sweating.
- Condensate drain pans are built from high-grade, heat-resistant and corrosion-free thermal set material.
- Coils match Midea unitary products and many brand-name, popular gas furnaces and split systems.
- ARI Certified and UL Listed.

Ameristar



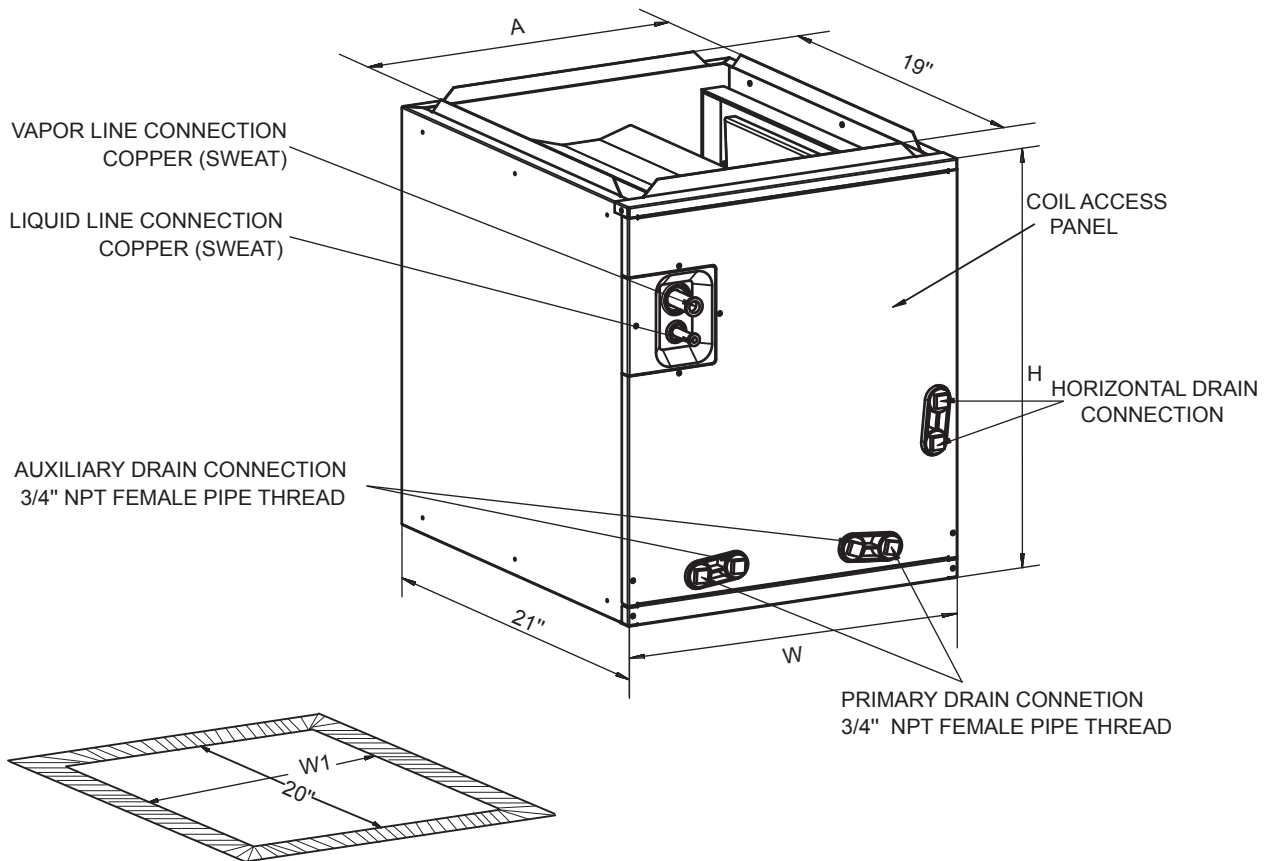
The manufacturer has a policy of continuous product and product data improvement and it reserves the right to change design and specification without notice.

TAG: _____

SUBMITTAL

Cased A-coil

M4CXC061AD1CAAA



NOTE: All dimensions are in mm/inches.

| Model | H | W | A | W1 |
|-----------------|----------|--------------|----------|-------------|
| M4CXC061AD1CAAA | 762 (30) | 622 (24-1/2) | 584 (23) | 597(23-1/2) |

PRODUCT SPECIFICATIONS

PRODUCT SPECIFICATIONS

| | |
|-----------------------------------|--------------------------|
| MODEL | M4CXC061AD1CAAA |
| RATINGS | See O.D. Specifications |
| INDOOR COIL — Type | Plate Fin |
| Rows — F.P.I. | 3 - 17 |
| Face Area (sq. ft.) | 6.07 |
| Tube Size (in.) | 3/8 |
| Refrigerant Control | Orifice |
| Drain Conn. Size (in.) | 3/4 NPT |
| DUCT CONNECTIONS | See Outline Drawing |
| REFRIGERANT | R-410A |
| Ref. Line Connections | Brazed |
| Coupling or Conn. Size — in. Gas | 7/8 |
| Coupling or Conn. Size — in. Liq. | 3/8 |
| DIMENSIONS | H x W x D |
| Crated (In.) | 32-7/8 x 27-1/2 x 24-3/8 |
| Uncrated | 30 x 24-1/2 x 21 |
| WEIGHT | |
| Shipping (Lbs.)/Net (Lbs.) | 92/87 |



| | | | | | | | |
|--|-----|------|------|------|------|------|------|
| PRESSURE DROP CHARACTERISTICS FOR COIL | | | | | | | |
| M4CXC061AD1CAAA | | | | | | | |
| PRESSURE DROP (INCHES OF WATER) | | | | | | | |
| 0.05 | 0.1 | 0.15 | 0.2 | 0.25 | 0.3 | 0.35 | 0.4 |
| 526 | 838 | 1097 | 1305 | 1499 | 1663 | 1814 | 1952 |

Mechanical Specifications

- Compatible with R410A and R22 refrigerants.
- Advanced-design blue-enhanced aluminum fins bonded to inner-groove copper pipe.
- Foil-faced thermal insulation prevents sweating.
- Condensate drain pans are built from high-grade, heat-resistant and corrosion-free thermal set material.
- ARI Certified and UL Listed.

Ameristar



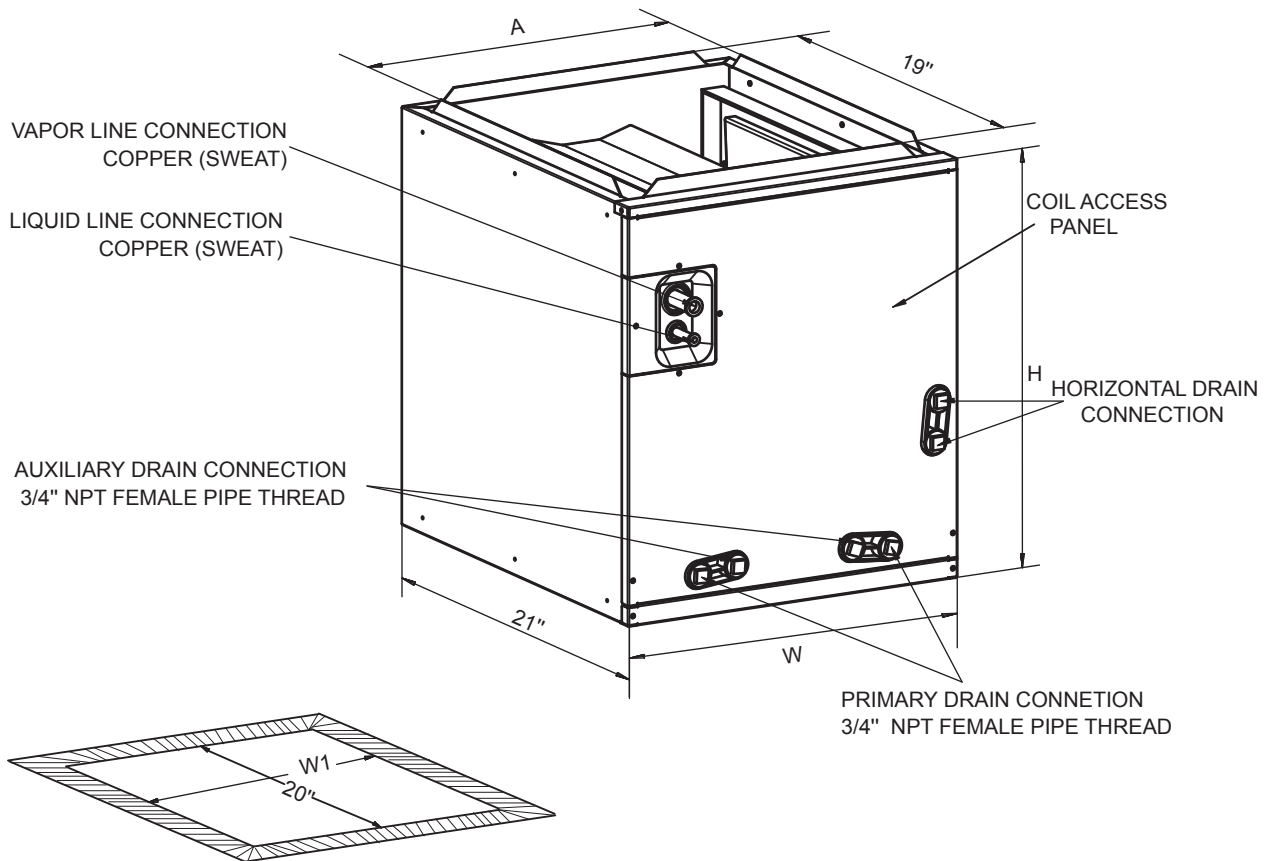
The manufacturer has a policy of continuous product and product data improvement and it reserves the right to change design and specification without notice.

TAG: _____

SUBMITTAL

Cased A-coil

M4CXC061BD1CAAA



NOTE: All dimensions are in mm/inches.

| Model | H | W | A | W1 |
|-----------------|----------|--------------|----------|-------------|
| M4CXC061BD1CAAA | 762 (30) | 622 (24-1/2) | 584 (23) | 597(23-1/2) |

PRODUCT SPECIFICATIONS

PRODUCT SPECIFICATIONS

| | |
|-----------------------------------|--------------------------|
| MODEL | M4CXC061BD1CAAA |
| RATINGS | See O.D. Specifications |
| INDOOR COIL — Type | Plate Fin |
| Rows — F.P.I. | 3 - 17 |
| Face Area (sq. ft.) | 1.63 |
| Tube Size (in.) | 3/8 |
| Refrigerant Control | Orifice |
| Drain Conn. Size (in.) | 3/4 NPT |
| DUCT CONNECTIONS | See Outline Drawing |
| REFRIGERANT | R-410A |
| Ref. Line Connections | Brazed |
| Coupling or Conn. Size — in. Gas | 7/8 |
| Coupling or Conn. Size — in. Liq. | 3/8 |
| DIMENSIONS | H x W x D |
| Crated (In.) | 32-7/8 x 27-1/2 x 24-3/8 |
| Uncrated | 30 x 24-1/2 x 21 |
| WEIGHT | |
| Shipping (Lbs.)/Net (Lbs.) | 92/87 |



| | | | | | | | |
|---|-----|------|------|------|------|------|------|
| PRESSURE DROP CHARACTERISTICS FOR COIL | | | | | | | |
| M4CXC061BD1CAAA | | | | | | | |
| PRESSURE DROP (INCHES OF WATER) | | | | | | | |
| 0.05 | 0.1 | 0.15 | 0.2 | 0.25 | 0.3 | 0.35 | 0.4 |
| 526 | 838 | 1097 | 1305 | 1499 | 1663 | 1814 | 1952 |

Mechanical Specifications

- Compatible with R410A and R22 refrigerants.
- Advanced-design blue-enhanced aluminum fins bonded to inner-groove copper pipe.
- Foil-faced thermal insulation prevents sweating.
- Condensate drain pans are built from high-grade, heat-resistant and corrosion-free thermal set material.
- Coils match Midea unitary products and many brand-name, popular gas furnaces and split systems.
- ARI Certified and UL Listed.

Ameristar



The manufacturer has a policy of continuous product and product data improvement and it reserves the right to change design and specification without notice.