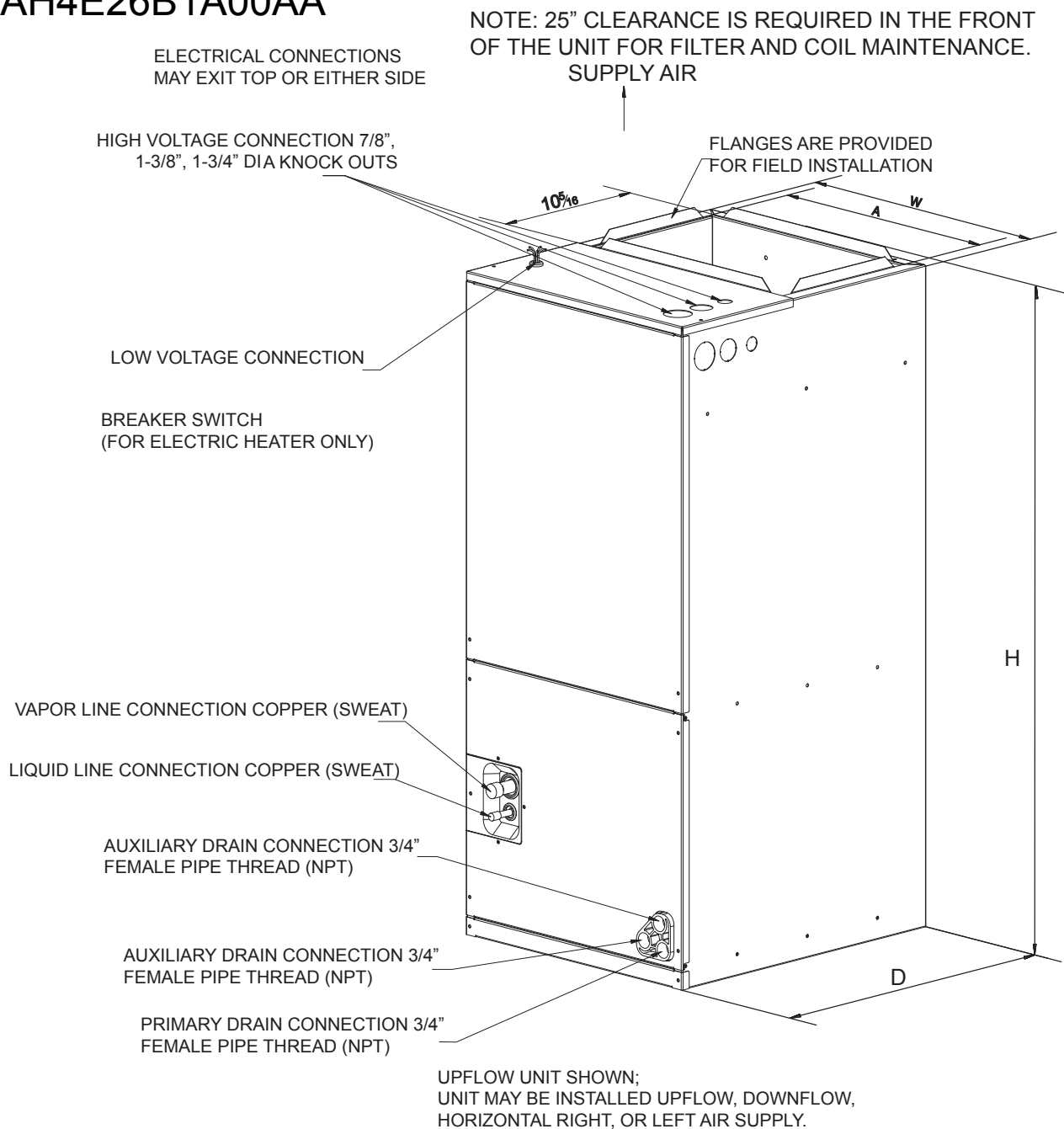


TAG: \_\_\_\_\_

## SUBMITTAL

### 2.0 Ton Multi-position Air Handler M4AH4E26B1A00AA



NOTE: All dimensions are in mm/inches.

Model	H	W	D	A
M4AH4E26B1A00AA	1050 (41-3/8)	460 (18-1/8)	520 (20-1/2)	406 (16)

# PRODUCT SPECIFICATIONS

## PRODUCT SPECIFICATIONS

MODEL	M4AH4E26B1A00AA
RATED VOLTS/PH/HZ.	208-230/1/60
RATINGS	See O.D. Specifications
INDOOR COIL — Type	Plate Fin
Rows — F.P.I.	4 - 17
Face Area (sq. ft.)	4.01
Tube Size (in.)	9/32
Refrigerant Control	Orifice
Drain Conn. Size (in.)	3/4 NPT
DUCT CONNECTIONS	See Outline Drawing
INDOOR FAN — Type	Centrifugal
Diameter-Width (In.)	10-5/8 X 8-1/8
No. Used	1
Drive - No. Speeds	Direct - 5
CFM vs. in. w.g.	See Fan Performance Table
No. Motors — H.P.	1 - 1/3
Motor Speed R.P.M.	1050
Volts/Ph/Hz	208-230/1/60
F.L. Amps	2.6
FILTER	
Filter Furnished?	No
Type Recommended	Throwaway
No.-Size-Thickness	1 - 16 X 20 - 1 in.
REFRIGERANT	R-410A
Ref. Line Connections	Brazed
Coupling or Conn. Size — in. Gas	3/4
Coupling or Conn. Size — in. Liq.	3/8
DIMENSIONS	H x W x D
Crated (In.)	42-7/10x 21 x 24-1/6
Uncrated	41-3/8 x 18-1/8 x 20-1/2
WEIGHT	
Shipping (Lbs.)/Net (Lbs.)	114/101



**Intertek**



Heater Kit Model Used	Electric Heat (kW)	Min. Circuit Ampacity		Max. Fuse or Breaker (HACR) Ampacity		Minimum Heating Blower Speed	
		240V	208V	240V	208V	Without HP	With HP
MAYHTR1A05BKR*	5	29.4	25.9	30	30	Low	Low
MAYHTR1A08BKR*	7.5	42.4	37.2	45	40	Low	Low
MAYHTR1A10BKR*	10	55.4	55.4	60	50	Low	Low

Note: Factory set at Medium High Speed.

Motor Speed	AIR FLOW PERFORMANCE									
	M4AH4E26B1A00AA									
	External Static Pressure-Inches W.C. (kPa)									
		0(0)	0.1(.02)	0.2(.05)	0.3(.07)	0.4(.10)	0.5(.12)	0.6(.15)	0.7(.17)	0.8(.20)
1	CFM	590	544	511	447	404	345	311	273	239
2	CFM	681	633	591	535	490	446	388	354	313
3	CFM	788	736	687	648	597	558	511	473	429
4	CFM	883	842	796	758	717	681	642	599	524
5	CFM	1103	1073	1036	998	967	934	896	855	814

# Mechanical Specifications

---

- Unique Cabinet Design
- Metal shell and glass cotton thermal insulation layer
- Multi-Position UP/Down Flow Horizontal Left /Right
- Braze in Refrigerant Connection
- Primary/Secondary Condensate Connections
- Blower with Integrated Slide Deck for Easy Removal
- Inner-groove aluminum tube and high-efficiency aluminum fin Coil with Integrated Slide Deck for Easy Removal
- More auxiliary Electric Heaters optional
- ECM 5 Speed Motor
- High Efficiency
- Integrated Horizontal Drain pans and metal Vertical Drain
- Fused 24V Power
- 5-Year Warranty.
- 10-Year Warranty Registered.
- Warranty Mirrors Outdoor.
- Optional extended warranty available.

Ameristar

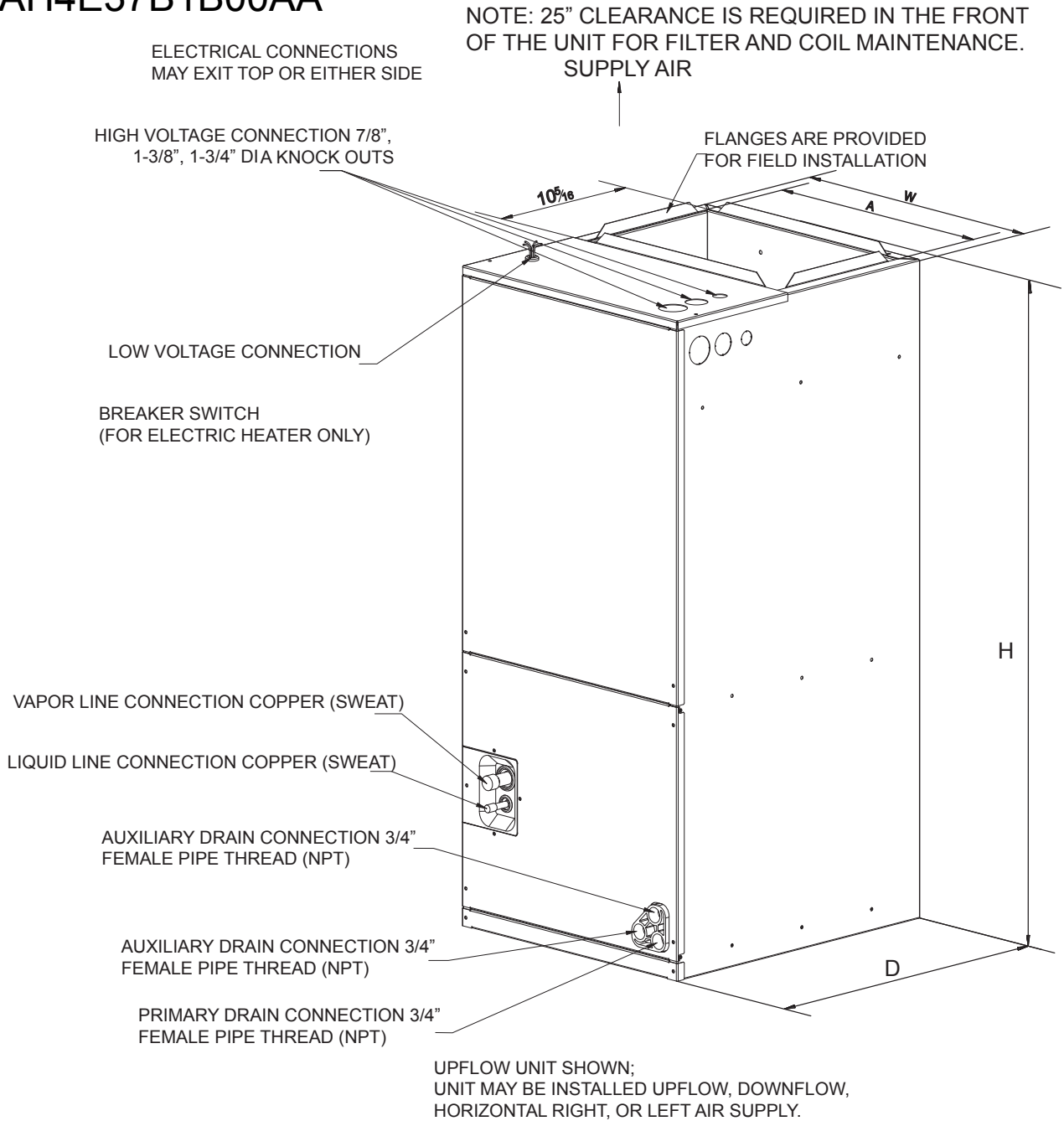


The manufacturer has a policy of continuous product and product data improvement and it reserves the right to change design and specification without notice.

TAG: \_\_\_\_\_

## SUBMITTAL

### 3.0 Ton Multi-position Air Handler M4AH4E37B1B00AA



NOTE: All dimensions are in mm/inches.

Model	H	W	D	A
M4AH4E37B1B00AA	1180 (46-1/2)	500 (19-5/8)	550 (21-5/8)	456 (18)

# PRODUCT SPECIFICATIONS

## PRODUCT SPECIFICATIONS

MODEL	M4AH4E37B1B00AA
RATED VOLTS/PH/HZ.	208-230/1/60
RATINGS	See O.D. Specifications
INDOOR COIL — Type	Plate Fin
Rows — F.P.I.	4 - 17
Face Area (sq. ft.)	4.01
Tube Size (in.)	9/32
Refrigerant Control	Orifice
Drain Conn. Size (in.)	3/4 NPT
DUCT CONNECTIONS	See Outline Drawing
INDOOR FAN — Type	Centrifugal
Diameter-Width (In.)	10-5/8 X 10-3/4
No. Used	1
Drive - No. Speeds	Direct - 5
CFM vs. in. w.g.	See Fan Performance Table
No. Motors — H.P.	1 - 1/2
Motor Speed R.P.M.	1050
Volts/Ph/Hz	208-230/1/60
F.L. Amps	3.0
FILTER	
Filter Furnished?	No
Type Recommended	Throwaway
No.-Size-Thickness	1 - 18 X 20 - 1 in.
REFRIGERANT	R-410A
Ref. Line Connections	Brazed
Coupling or Conn. Size — in. Gas	3/4
Coupling or Conn. Size — in. Liq.	3/8
DIMENSIONS	H x W x D
Crated (In.)	47-4/5 x 22-3/5 x 25-7/10
Uncrated	46-1/2 x 19-5/8 x 21-5/8
WEIGHT	
Shipping (Lbs.)/Net (Lbs.)	141/125



Heater Kit Model Used	Electric Heat (kW)	Min. Circuit Ampacity		Max. Fuse or Breaker (HACR) Ampacity		Minimum Heating Blower Speed	
		240V	208V	240V	208V	Without HP	With HP
MAYHTR1A05BKR*	5	29.9	26.4	30	30	Low	Low
MAYHTR1A08BKR*	7.5	42.9	37.7	45	40	Low	Low
MAYHTR1A10BKR*	10	55.9	49	60	50	Low	Low
MAYHTR1A15BKR*	15	55.9/26.1	49/22.6	60/30	50/25	Low	Low
MAYHTR1A20BKR*	20	55.9/52.1	49/45.2	60/60	50/50	Low	Low

Note: Factory set at Medium High Speed.

Motor Speed	AIR FLOW PERFORMANCE									
	M4AH4E37B1B00AA									
	External Static Pressure-Inches W.C. (kPa)									
		0(0)	0.1(.02)	0.2(.05)	0.3(.07)	0.4(.10)	0.5(.12)	0.6(.15)	0.7(.17)	0.8(.20)
1	CFM	898	752	603	511	405	360	301	259	203
2	CFM	1026	902	810	694	630	544	490	409	366
3	CFM	1161	1114	1052	992	893	825	768	694	646
4	CFM	1287	1244	1186	1142	1078	969	914	892	893
5	CFM	1491	1442	1396	1348	1302	1243	1150	1088	1029

# Mechanical Specifications

---

- Unique Cabinet Design
- Metal shell and glass cotton thermal insulation layer
- Multi-Position UP/Down Flow Horizontal Left /Right
- Braze in Refrigerant Connection
- Primary/Secondary Condensate Connections
- Blower with Integrated Slide Deck for Easy Removal
- Inner-groove aluminum tube and high-efficiency aluminum fin Coil with Integrated Slide Deck for Easy Removal
- More auxiliary Electric Heaters optional
- ECM5 Speed Motor
- High Efficiency
- Integrated Horizontal Drain pans and metal Vertical Drain
- Fused 24V Power
- 5-Year Warranty.
- 10-Year Warranty Registered.
- Warranty Mirrors Outdoor.
- Optional extended warranty available.

Ameristar

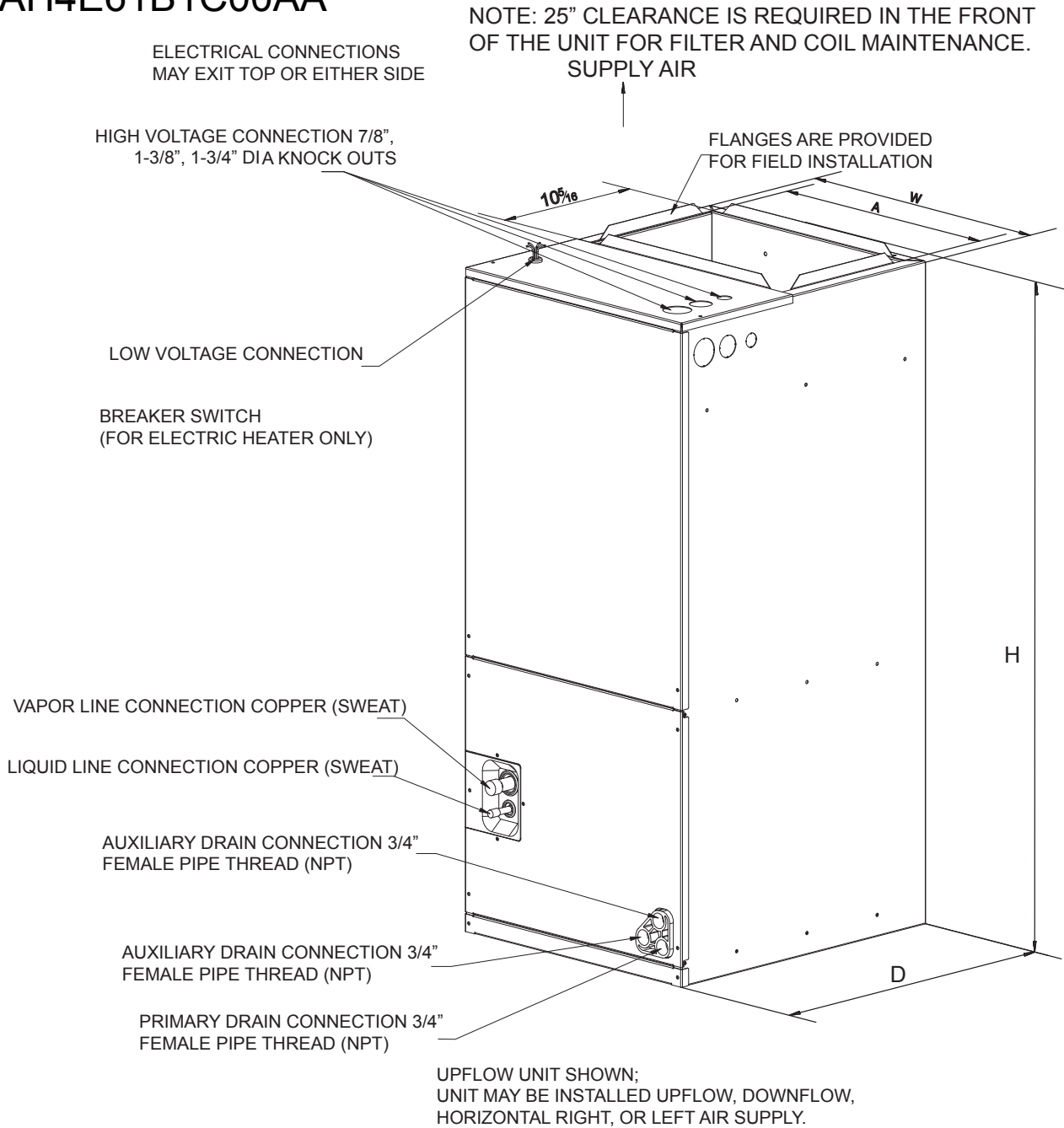


The manufacturer has a policy of continuous product and product data improvement and it reserves the right to change design and specification without notice.

TAG: \_\_\_\_\_

## SUBMITTAL

### 5.0 Ton Multi-position Air Handler M4AH4E61B1C00AA



NOTE: All dimensions are in mm/inches.

Model	H	W	D	A
M4AH4E61B1C00AA	1385 (54-1/2)	560 (22)	610 (24)	496 (19-1/2)

# PRODUCT SPECIFICATIONS

## PRODUCT SPECIFICATIONS

MODEL	M4AH4E61B1C00AA
RATED VOLTS/PH/HZ.	208-230/1/60
RATINGS	See O.D. Specifications
INDOOR COIL — Type	Plate Fin
Rows — F.P.I.	4 - 17
Face Area (sq. ft.)	6.00
Tube Size (in.)	9/32
Refrigerant Control	Orifice
Drain Conn. Size (in.)	3/4 NPT
DUCT CONNECTIONS	See Outline Drawing
INDOOR FAN — Type	Centrifugal
Diameter-Width (In.)	10-5/8 X 10-3/4
No. Used	1
Drive - No. Speeds	Direct - 5
CFM vs. in. w.g.	See Fan Performance Table
No. Motors — H.P.	1 - 3/4
Motor Speed R.P.M.	1050
Volts/Ph/Hz	208-230/1/60
F.L. Amps	4.5
FILTER	
Filter Furnished?	No
Type Recommended	Throwaway
No.-Size-Thickness	1 - 20 X 22 - 1 in.
REFRIGERANT	R-410A
Ref. Line Connections	Brazed
Coupling or Conn. Size — in. Gas	7/8
Coupling or Conn. Size — in. Liq.	3/8
DIMENSIONS	H x W x D
Crated (In.)	55-4/5 x 25 x 27-7/10
Uncrated	54-1/2 x 22 x 24
WEIGHT	
Shipping (Lbs.)/Net (Lbs.)	177/159



Heater Kit Model Used	Electric Heat (kW)	Min. Circuit Ampacity		Max. Fuse or Breaker (HACR) Ampacity		Minimum Heating Blower Speed	
		240V	208V	240V	208V	Without HP	With HP
MAYHTR1A05BKR*	5	31.8	28.3	40	30	Low	Low
MAYHTR1A08BKR*	7.5	44.8	39.6	45	40	Low	Low
MAYHTR1A10BKR*	10	57.8	50.9	60	60	Low	Low
MAYHTR1A15BKR*	15	57.8/26.1	50.9/22.6	60/30	60/25	Low	Low
MAYHTR1A20BKR*	20	57.8/52.1	50.9/45.2	60/60	60/50	Low	Low

Note: Factory set at Medium High Speed.

Motor Speed		AIR FLOW PERFORMANCE									
		M4AH4E61B1C00AA									
		External Static Pressure-Inches W.C. (kPa)									
			0(.0)	0.1(.02)	0.2(.05)	0.3(.07)	0.4(.10)	0.5(.12)	0.6(.15)	0.7(.17)	0.8(.20)
1	CFM	1344	1284	1226	1151	1076	946	904	893	869	
2	CFM	1531	1477	1418	1366	1299	1239	1138	1064	1001	
3	CFM	1647	1592	1538	1490	1436	1378	1315	1215	1140	
4	CFM	1875	1822	1774	1729	1677	1629	1581	1533	1473	
5	CFM	2021	1967	1924	1879	1828	1785	1742	1694	1641	



# Mechanical Specifications

---

- Unique Cabinet Design
- Metal shell and glass cotton thermal insulation layer
- Multi-Position UP/Down Flow Horizontal Left /Right
- Braze in Refrigerant Connection
- Primary/Secondary Condensate Connections
- Blower with Integrated Slide Deck for Easy Removal
- Inner-groove aluminum tube and high-efficiency aluminum fin Coil with Integrated Slide Deck for Easy Removal
- More auxiliary Electric Heaters optional
- ECM 5 Speed Motor
- High Efficiency
- Integrated Horizontal Drain pans and metal Vertical Drain
- Fused 24V Power
- 5-Year Warranty.
- 10-Year Warranty Registered.
- Warranty Mirrors Outdoor.
- Optional extended warranty available.

Ameristar



The manufacturer has a policy of continuous product and product data improvement and it reserves the right to change design and specification without notice.

# Ameristar

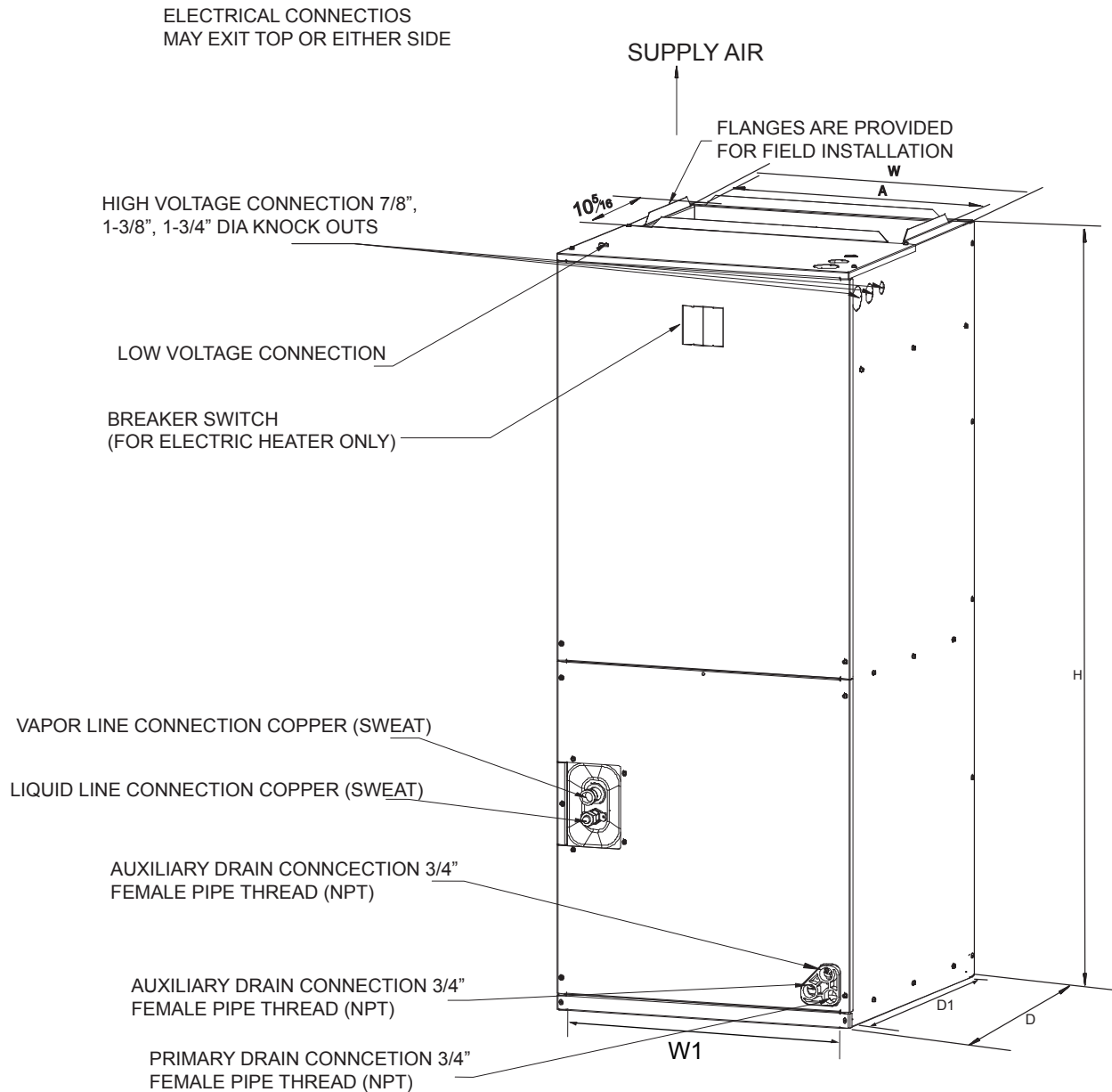
M4AH6E60B1C00AA

TAG: \_\_\_\_\_

**SUBMITTAL**

## 5.0 Ton Multi-position Air Handler M4AH6E60B1C00AA

NOTE: 25" CLEARANCE IS REQUIRED IN THE FRONT OF THE UNIT FOR FILTER AND COIL MAINTENANCE.



UPFLOW UNIT SHOWN;  
UNIT MAY BE INSTALLED UPFLOW, DOWNFLOW,  
HORIZONTAL RIGHT, OR LEFT AIR SUPPLY.

NOTE: All dimensions are in mm/inches.

Model	H	W	D	A	Return width W1	Return depth D1
M4AH6E60B1C00AA	1385 (54-1/2)	560(22)	610(24)	496(19-1/2)	478 (18-4/5)	584 (23)

## PRODUCT SPECIFICATIONS

### PRODUCT SPECIFICATIONS

<b>MODEL</b>	M4AH6E60B1C00AA
<b>RATED VOLTS/PH/HZ.</b>	208-230/1/60
<b>RATINGS</b>	See O.D. Specifications
<b>INDOOR COIL — Type</b>	Plate Fin
<b>Rows — F.P.I.</b>	5 - 17
<b>Face Area (sq. ft.)</b>	6.00
<b>Tube Size (in.)</b>	9/32
<b>Refrigerant Control</b>	Orifice
<b>Drain Conn. Size (in.)</b>	3/4 NPT
<b>DUCT CONNECTIONS</b>	See Outline Drawing
<b>INDOOR FAN — Type</b>	Centrifugal
<b>Diameter-Width (In.)</b>	10-5/8 X 10-3/4
<b>No. Used</b>	1
<b>Drive - No. Speeds</b>	Direct - 5
<b>CFM vs. in. w.g.</b>	See Fan Performance Table
<b>No. Motors — H.P.</b>	1 - 3/4
<b>Motor Speed R.P.M.</b>	1050
<b>Volts/Ph/Hz</b>	208-230/1/60
<b>F.L. Amps</b>	4.5
<b>FILTER</b>	
<b>Filter Furnished?</b>	No
<b>Type Recommended</b>	Throwaway
<b>No.-Size-Thickness</b>	1 - 20 X 22 - 1 in.
<b>REFRIGERANT</b>	R-410A
<b>Ref. Line Connections</b>	Brazed
<b>Coupling or Conn. Size — in. Gas</b>	7/8
<b>Coupling or Conn. Size — in. Liq.</b>	3/8
<b>DIMENSIONS</b>	H x W x D
<b>Crated (In.)</b>	55-4/5 x 25 x 27-7/10
<b>Uncrated</b>	54-1/2 x 22 x 24
<b>WEIGHT</b>	
<b>Shipping (Lbs.)/Net (Lbs.)</b>	179/161



**Intertek**



Heater Kit Model Used	Electric Heat (kW)	Min. Circuit Ampacity		Max. Fuse or Breaker (HACR) Ampacity		Minimum Heating Blower Speed	
		240V	208V	240V	208V	Without HP	With HP
MAYHTR1A05BKR*	5	31.8	28.3	40	30	Low	Low
MAYHTR1A08BKR*	7.5	44.8	39.6	45	40	Low	Low
MAYHTR1A10BKR*	10	57.8	50.9	60	60	Low	Low
MAYHTR1A15BKR*	15	57.8/26.1	50.9/22.6	60/30	60/25	Low	Low
MAYHTR1A20BKR*	20	57.8/52.1	50.9/45.2	60/60	60/50	Low	Low

Note: Factory set at Medium High Speed.

Motor Speed	AIR FLOW PERFORMANCE									
	M4AH6E60B1C00AA									
	External Static Pressure-Inches W.C. (kPa)									
		0(.0)	0.1(.02)	0.2(.05)	0.3(.07)	0.4(.10)	0.5(.12)	0.6(.15)	0.7(.17)	0.8(.20)
1	CFM	1348	1280	1227	1180	1130	1042	933	871	825
2	CFM	1491	1439	1380	1334	1285	1246	1180	1047	988
3	CFM	1667	1633	1586	1543	1499	1449	1409	1370	1281
4	CFM	1881	1843	1800	1754	1708	1666	1626	1590	1558
5	CFM	2029	1988	1947	1900	1858	1815	1771	1716	1671

# Mechanical Specifications

---

- Unique Cabinet Design
- Metal shell and glass cotton thermal insulation layer
- Multi-Position UP/Down Flow Horizontal Left /Right
- Braze in Refrigerant Connection
- Primary/Secondary Condensate Connections
- Blower with Integrated Slide Deck for Easy Removal
- Inner-groove aluminum tube and high-efficiency aluminum fin Coil with Integrated Slide Deck for Easy Removal
- More auxiliary Electric Heaters optional
- ECM 5 Speed Motor
- High Efficiency
- Integrated Horizontal Drain pans and metal Vertical Drain
- Fused 24V Power
- 5-Year Warranty.
- Warranty Mirrors Outdoor.
- Optional extended warranty available.



Ameristar

The manufacturer has a policy of continuous product and product data improvement and it reserves the right to change design and specification without notice.