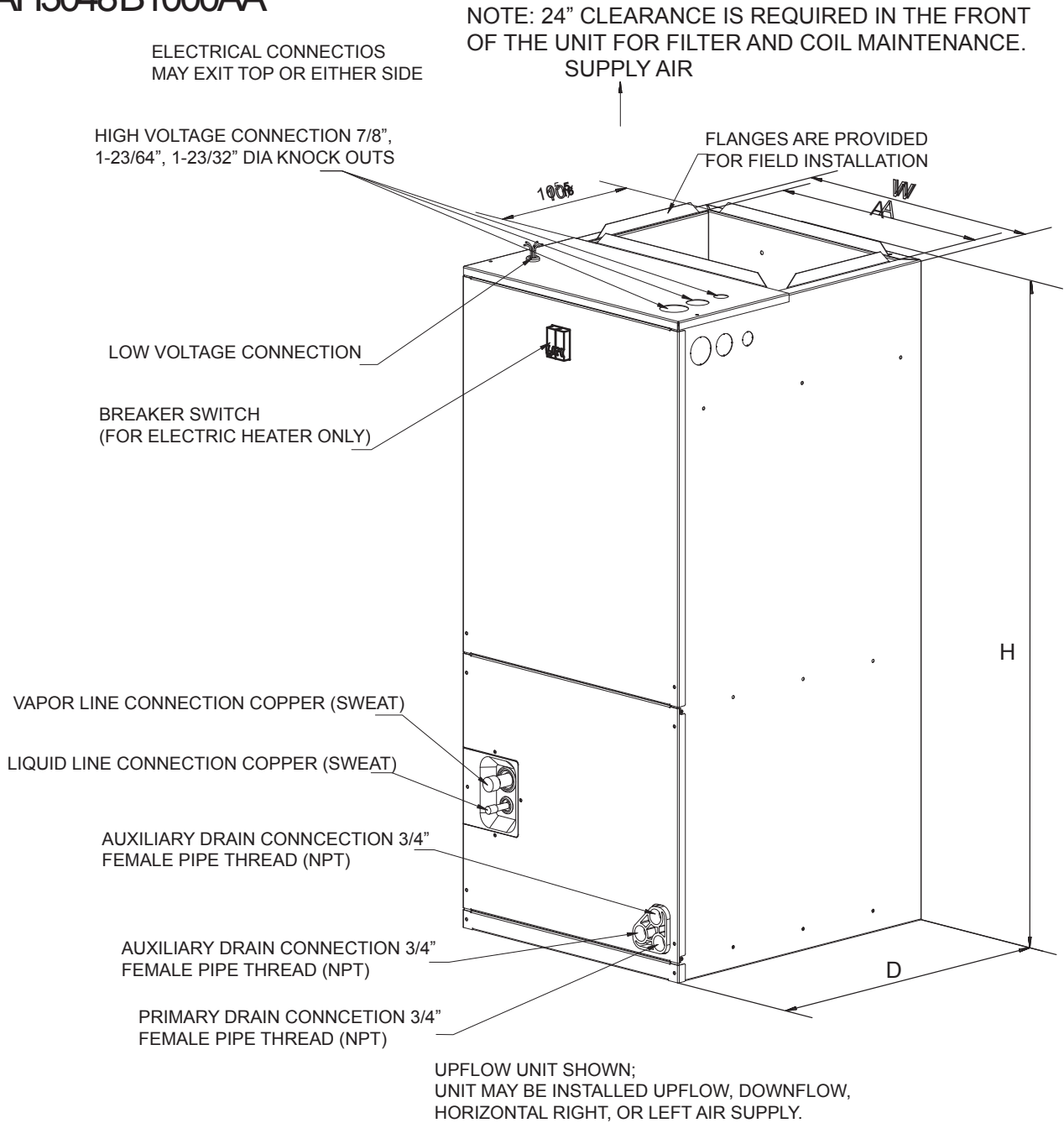


TAG: _____

SUBMITTAL

4.0 Ton Multi-position Air Handler M4AH3048B1000AA



NOTE: All dimensions are in mm/inches.

Model	H	W	D	A
M4AH3048B1000AA	1385 (54-1/42)	560 (22)	610 (24)	496 (19-1/2)

PRODUCT SPECIFICATIONS

PRODUCT SPECIFICATIONS

MODEL	M4AH3048B1000AA
RATED VOLTS/PH/HZ.	208-230/1/60
RATINGS	See O.D. Specifications
INDOOR COIL — Type	Plate Fin
Rows — F.P.I.	4 - 17
Face Area (sq. ft.)	6.00
Tube Size (in.)	9/32
Refrigerant Control	Orifice
Drain Conn. Size (in.)	3/4 NPT
DUCT CONNECTIONS	See Outline Drawing
INDOOR FAN — Type	Centrifugal
Diameter-Width (In.)	10-5/8 X 10-3/4
No. Used	1
Drive - No. Speeds	Direct - 3
CFM vs. in. w.g.	See Fan Performance Table
No. Motors — H.P.	1 - 3/4
Motor Speed R.P.M.	1075
Volts/Ph/Hz	208-230/1/60
F.L. Amps	2.8
FILTER	
Filter Furnished?	No
Type Recommended	Throwaway
No.-Size-Thickness	1 - 20 X 22 - 1 in.
REFRIGERANT	R-410A
Ref. Line Connections	Brazed
Coupling or Conn. Size — in. Gas	7/8
Coupling or Conn. Size — in. Liq.	3/8
DIMENSIONS	H x W x D
Crated (In.)	55-4/5 x 25 x 27-7/10
Uncrated	54-1/2 x 22 x 24
WEIGHT	
Shipping (Lbs.)/Net (Lbs.)	187/172



Intertek



Heater Kit Model Used	Electric Heat (kW)	Min. Circuit Ampacity		Max. Fuse or Breaker (HACR) Ampacity		Minimum Heating Blower Speed	
		240V	208V	240V	208V	Without HP	With HP
MAYHTR1A05BKRA	5	29.6	26.1	30	30	Low	Low
MAYHTR1A08BKRA	7.5	42.6	37.4	45	40	Low	Low
MAYHTR1A10BKRA	10	55.6	48.7	60	50	Low	Low
MAYHTR1A15BKRA	15	55.6/26	48.7/22.8	60/30	50/25	Low	Low
MAYHTR1A20BKRA	20	55.6/52.1	48.7/45.1	60/60	50/50	Low	Low

Note: Factory set at Medium Speed.

Motor Speed	AIR FLOW PERFORMANCE										
	M4AH3048B1000AA										
	External Static Pressure-Inches W.C. (kPa)										
		0(0)	0.1(.02)	0.16(.04)	0.2(.05)	0.3(.07)	0.4(.10)	0.5(.12)	0.6(.15)	0.7(.17)	0.8(.20)
Low	CFM	1471	1427	1395	1374	1316	1247	1180	-	-	-
Medium	CFM	1729	1678	1646	1625	1558	1491	1402	-	-	-
High	CFM	2045	1992	1951	1928	1847	1763	1677	1563	1450	1317

Mechanical Specifications

- Unique Cabinet Design
- Metal shell and glass cotton thermal insulation layer
- Multi-Position UP/Down Flow Horizontal Left /Right
- Braze in Refrigerant Connection
- Primary/Secondary Condensate Connections
- Blower with Integrated Slide Deck for Easy Removal
- Inner-groove copper pipe and high-efficiency aluminum fin Coil with Integrated Slide Deck for Easy Removal
- More auxiliary Electric Heaters optional
- PSC 3 Speed Motor
- High Efficiency
- Integrated Horizontal Drain pans and metal Vertical Drain
- Fused 24V Power
- 1-Year Warranty.
- 10-Year Warranty Registered.
- Warranty Mirrors Outdoor.
- Optional extended warranty available.

Ameristar



The manufacturer has a policy of continuous product and product data improvement and it reserves the right to change design and specification without notice.