

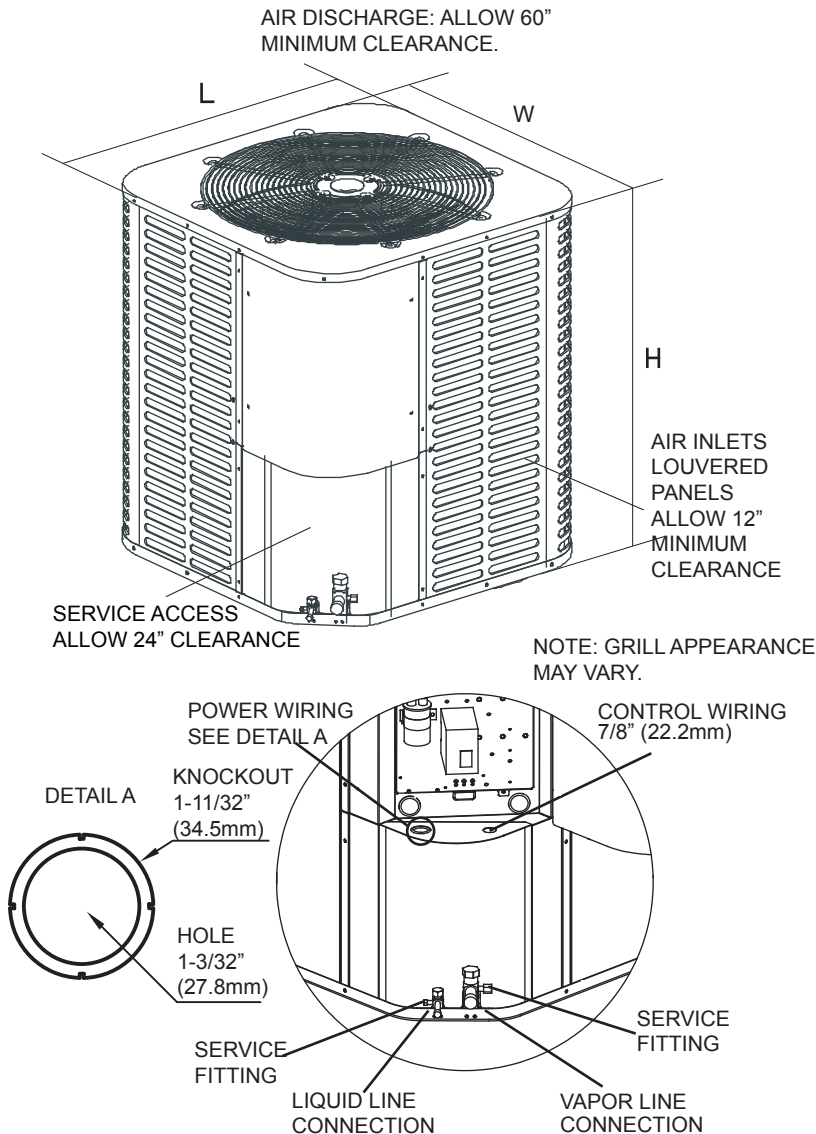
TAG: \_\_\_\_\_

# SUBMITTAL

## 1.5 Ton Split System Heat Pump - 1 Phase M4HP6018B1000AA

### Product Specifications

OUTDOOR UNIT	M4HP6018B1000AA
POWER CONNS. — V/PH/HZ	208/230/1/60
MIN. BRCH. CIR. AMPACITY	10.4
BR. CIR. PROT. RTG. - MAX. (AMPS)	15
COMPRESSOR	SCROLL
NO. USED - NO. SPEEDS	1 - 1
VOLTS/PH/HZ	208/230/1/60
R.L. AMPS - L.R. AMPS	7.7-48.0
FACTORY INSTALLED	
START COMPONENTS	NO
INSULATION/SOUND BLANKET	NO
COMPRESSOR HEAT	YES
OUTDOOR FAN	PROPELLER
DIA. (IN.) - NO. USED	17-3/4 - 1
TYPE DRIVE - NO. SPEEDS	DIRECT - 1
CFM @ 0.0 IN. W.G.	1800
NO. MOTORS - HP	1 - 1/8
MOTOR SPEED R.P.M.	1075
VOLTS/PH/HZ	208/230/1/60
F.L. AMPS	0.7
OUTDOOR COIL — TYPE	PLATE FIN
ROWS - F.P.I.	2 - 21
FACE AREA (SQ. FT.)	10.0
TUBE SIZE (IN.)	3/16
REFRIGERANT CONTROL	ORIFICE
REFRIGERANT	
LBS. — R-410A (O.D. UNIT)	5 LBS. - 5 OZ
FACTORY SUPPLIED	YES
LINE SIZE - IN. O.D. GAS	3/4
LINE SIZE - IN. O.D. LIQ.	3/8
CHARGING SPECIFICATION	
SUBCOOLING	8° F
DIMENSIONS	H X W X D
CRATED (IN.)	26-1/4X24-7/10-24-7/10
WEIGHT	
SHIPPING (LBS.)	143
NET (LBS.)	137



NOTE: All dimensions are in mm/inches.

Model	H	W	L	LIQUID VALVE SIZE	GAS VALVE SIZE
M4HP6018B1000AA	633 (24-15/16)	600 (23-5/8)	600 (23-5/8)	3/8	3/4

# Mechanical Specification Options

---

## **General**

The M4HP60 is fully charged from the factory. This unit is designed to operate at outdoor ambient temperatures as high as 115°F. Cooling capacities are matched with air handlers and furnace coils that are AHRI certified. The unit is certified to ETL. Exterior is designed for outdoor application.

## **Casing**

Unit casing is constructed of heavy gauge, Galvanized steel and painted with a weather-resistant powder paint on all grilles, panels, pre-paint on all other panels. And had 500-hours salt spray tested.

## **Refrigerant Controls**

Refrigeration system controls include condenserfan, compressor contactor, high pressure switch and low pressure switch. The factory installed crankcase heat can protect compress when it stands by.

## **Scroll Compressor**

Features include low vibration and noise.

## **Condenser Coil**

The outdoor coil provides low airflow resistance and efficient heat transfer. The coil is protected on all four sides by grille panels.

## **Optional accessories**

### **Liquid line drier —**

It is used to filter out impurities and water in the system, ensures system clean and dry.



---

---

---

---

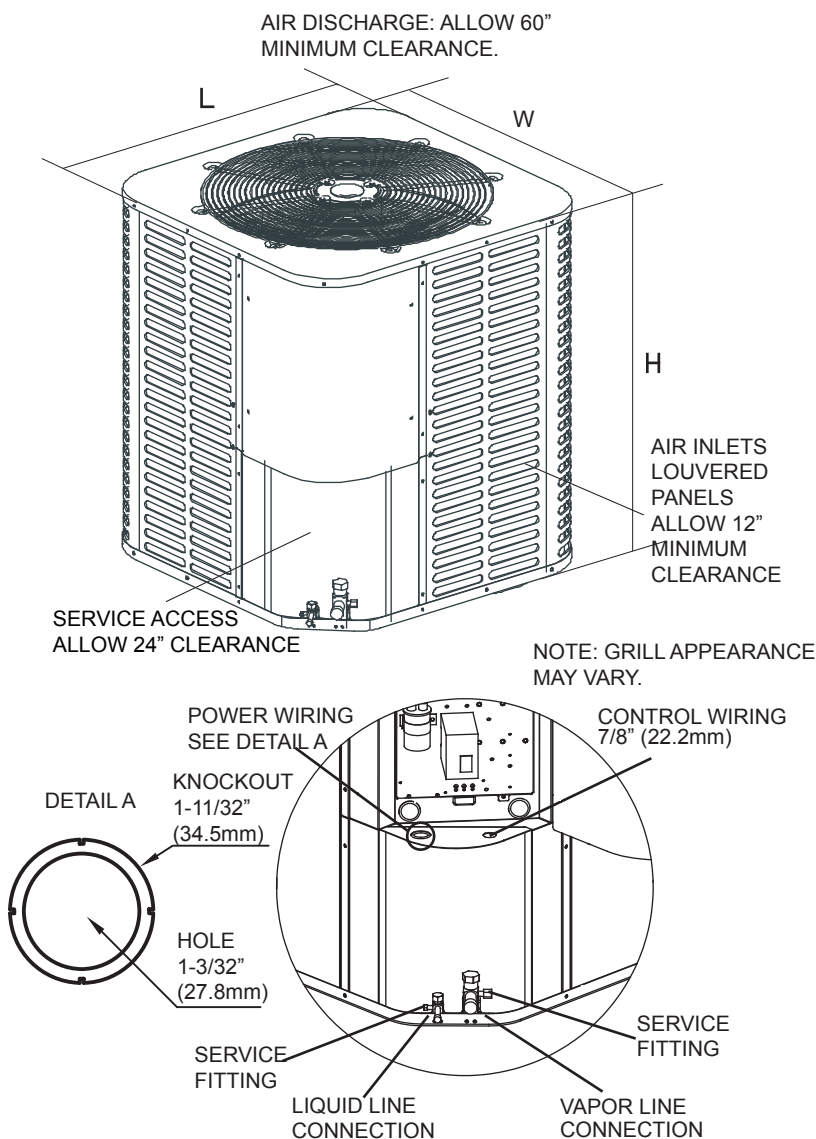
Ameristar

*Ameristar has a policy of continuous product and product data improvement and it reserves the right to change design and specifications without notice.*

TAG: \_\_\_\_\_

# SUBMITTAL

## 2.0 Ton Split System Heat Pump - 1 Phase M4HP6024B1000AA



### Product Specifications

OUTDOOR UNIT	M4HP6024B1000AA
POWER CONNS. — V/PH/HZ	208/230/1/60
MIN. BRCH. CIR. AMPACITY	13.4
BR. CIR. PROT. RTG. - MAX. (AMPS)	20
COMPRESSOR	SCROLL
NO. USED - NO. SPEEDS	1 - 1
VOLTS/PH/HZ	208/230/1/60
R.L. AMPS - L.R. AMPS	10.1-52
FACTORY INSTALLED	
START COMPONENTS	NO
INSULATION/SOUND BLANKET	NO
COMPRESSOR HEAT	YES
OUTDOOR FAN	PROPELLER
DIA. (IN.) - NO. USED	18-7/8 - 1
TYPE DRIVE - NO. SPEEDS	DIRECT - 1
CFM @ 0.0 IN. W.G.	1800
NO. MOTORS - HP	1 - 1/8
MOTOR SPEED R.P.M.	1075
VOLTS/PH/HZ	208/230/1/60
F.L. AMPS	0.7
OUTDOOR COIL — TYPE	PLATE FIN
ROWS - F.P.I.	2 - 21
FACE AREA (SQ. FT.)	10.0
TUBE SIZE (IN.)	3/16
REFRIGERANT CONTROL	ORIFICE
REFRIGERANT	
LBS. — R-410A (O.D. UNIT)	5 LBS. - 2 OZ.
FACTORY SUPPLIED	YES
LINE SIZE - IN. O.D. GAS	3/4
LINE SIZE - IN. O.D. LIQ.	3/8
CHARGING SPECIFICATION	
SUBCOOLING	8° F
DIMENSIONS	H X W X D
CRATED (IN.)	26-1/4x24-7/10x24-7/10
WEIGHT	
SHIPPING (LBS.)	146
NET (LBS.)	139

NOTE: All dimensions are in mm/inches.

Model	H	W	L	LIQUID VALVE SIZE	GAS VALVE SIZE
M4HP6024B1000AA	633 (24-15/16)	600 (23-5/8)	600 (23-5/8)	3/8	3/4

# Mechanical Specification Options

---

## **General**

The M4HP60 is fully charged from the factory. This unit is designed to operate at outdoor ambient temperatures as high as 115°F. Cooling capacities are matched with air handlers and furnace coils that are AHRI certified. The unit is certified to ETL. Exterior is designed for outdoor application.

## **Casing**

Unit casing is constructed of heavy gauge, Galvanized steel and painted with a weather-resistant powder paint on all grilles, panels, pre-paint on all other panels. And had 500-hours salt spray tested.

## **Refrigerant Controls**

Refrigeration system controls include condenserfan, compressor contactor, high pressure switch and low pressure switch. The factory installed crankcase heat can protect compress when it stands by.

## **Scroll Compressor**

Features include low vibration and noise.

## **Condenser Coil**

The outdoor coil provides low airflow resistance and efficient heat transfer. The coil is protected on all four sides by grille panels.

## **Optional accessories**

### **Liquid line drier —**

It is used to filter out impurities and water in the system, ensures system clean and dry.



---

---

---

---

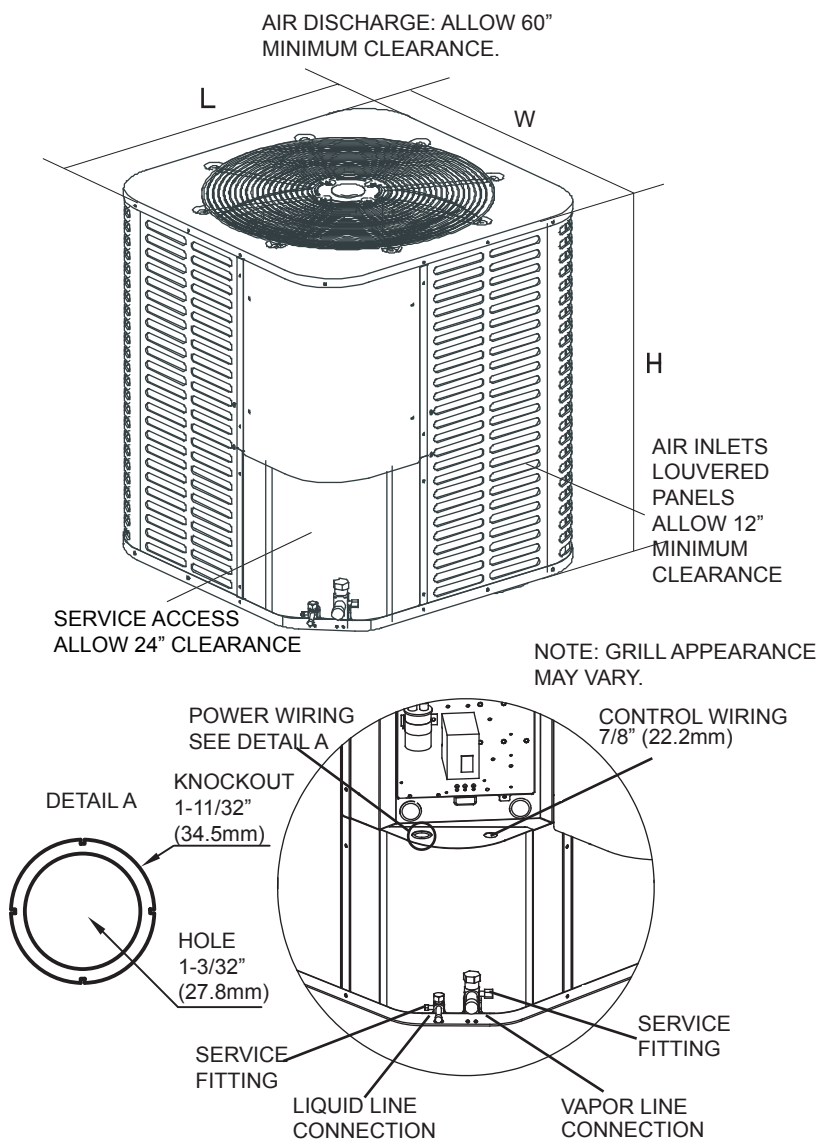
Ameristar

**Ameristar** has a policy of continuous product and product data improvement and it reserves the right to change design and specifications without notice.

TAG: \_\_\_\_\_

# SUBMITTAL

## 2.5 Ton Split System Heat Pump - 1 Phase M4HP6030B1000AA



### Product Specifications

OUTDOOR UNIT	M4HP6030B1000AA
POWER CONNS. — V/PH/HZ	208/230/1/60
MIN. BRCH. CIR. AMPACITY	16.5
BR. CIR. PROT. RTG. - MAX. (AMPS)	25
COMPRESSOR	SCROLL
NO. USED - NO. SPEEDS	1 - 1
VOLTS/PH/HZ	208/230/1/60
R.L. AMPS - L.R. AMPS	12.4-63.0
FACTORY INSTALLED	
START COMPONENTS	NO
INSULATION/SOUND BLANKET	NO
COMPRESSOR HEAT	YES
OUTDOOR FAN	PROPELLER
DIA. (IN.) - NO. USED	23 - 1
TYPE DRIVE - NO. SPEEDS	DIRECT - 1
CFM @ 0.0 IN. W.G.	2500
NO. MOTORS - HP	1 - 1/6
MOTOR SPEED R.P.M.	825
VOLTS/PH/HZ	208/230/1/60
F.L. AMPS	1.0
OUTDOOR COIL — TYPE	PLATE FIN
ROWS - F.P.I.	2 - 21
FACE AREA (SQ. FT.)	12.8
TUBE SIZE (IN.)	3/16
REFRIGERANT CONTROL	ORIFICE
REFRIGERANT	
LBS. — R-410A (O.D. UNIT)	6 LBS. - 7 OZ.
FACTORY SUPPLIED	YES
LINE SIZE - IN. O.D. GAS	3/4
LINE SIZE - IN. O.D. LIQ.	3/8
CHARGING SPECIFICATION	
SUBCOOLING	8° F
DIMENSIONS	H X W X D
CRATED (IN.)	26/1-4x29 x29
WEIGHT	
SHIPPING (LBS.)	161
NET (LBS.)	152

NOTE: All dimensions are in mm/inches.

Model	H	W	L	LIQUID VALVE SIZE	GAS VALVE SIZE
M4HP6030B1000AA	633 (24-15/16)	710 (28)	710 (28)	3/8	3/4

# Mechanical Specification Options

---

## **General**

The M4HP60 is fully charged from the factory. This unit is designed to operate at outdoor ambient temperatures as high as 115°F. Cooling capacities are matched with air handlers and furnace coils that are AHRI certified. The unit is certified to ETL. Exterior is designed for outdoor application.

## **Casing**

Unit casing is constructed of heavy gauge, Galvanized steel and painted with a weather-resistant powder paint on all grilles, panels, pre-paint on all other panels. And had 500-hours salt spray tested.

## **Refrigerant Controls**

Refrigeration system controls include condenserfan, compressor contactor, high pressure switch and low pressure switch. The factory installed crankcase heat can protect compress when it stands by.

## **Scroll Compressor**

Features include low vibration and noise.

## **Condenser Coil**

The outdoor coil provides low airflow resistance and efficient heat transfer. The coil is protected on all four sides by grille panels.

## **Optional accessories**

### **Liquid line drier —**

It is used to filter out impurities and water in the system, ensures system clean and dry.



---

---

---

---

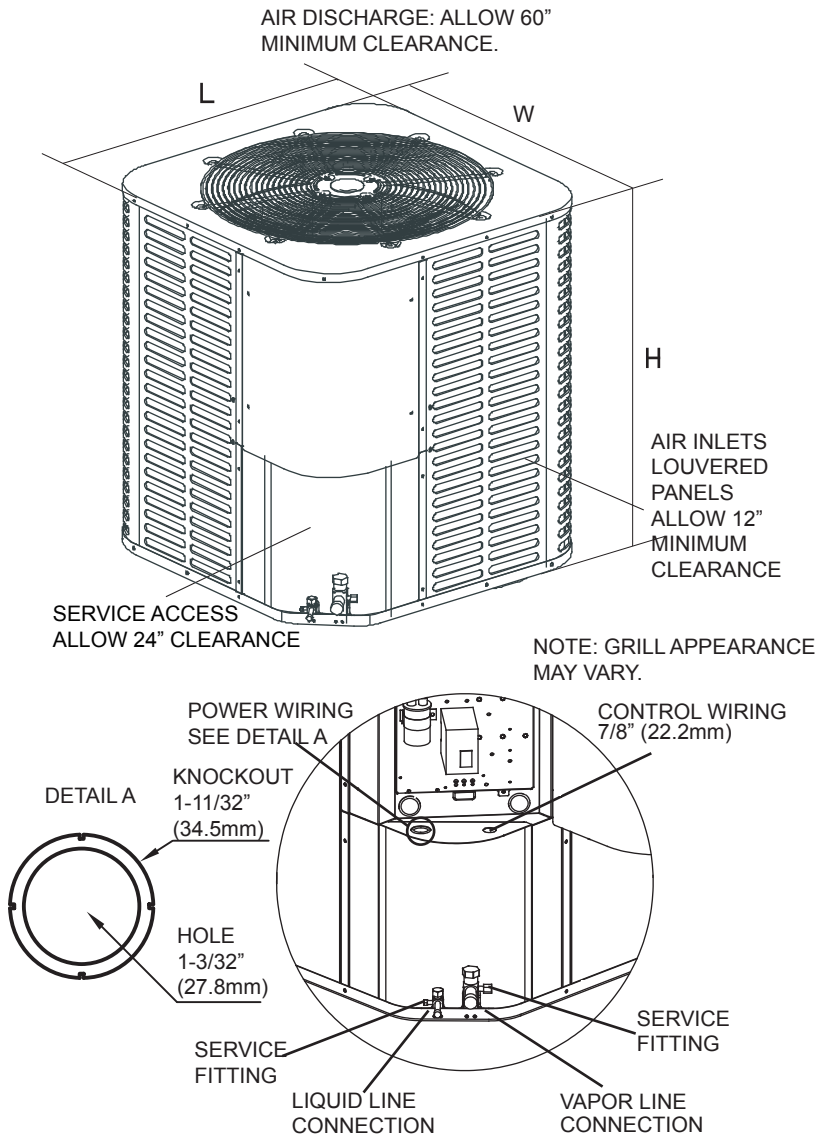
Ameristar

*Ameristar has a policy of continuous product and product data improvement and it reserves the right to change design and specifications without notice.*

TAG: \_\_\_\_\_

# SUBMITTAL

## 3.0 Ton Split System Heat Pump - 1 Phase M4HP6036B1000AA



### Product Specifications

OUTDOOR UNIT	M4HP6036B1000AA
POWER CONNS. — V/PH/HZ	208/230/1/60
MIN. BRCH. CIR. AMPACITY	19.4
BR. CIR. PROT. RTG. - MAX. (AMPS)	30
COMPRESSOR	SCROLL
NO. USED - NO. SPEEDS	1 - 1
VOLTS/PH/HZ	208/230/1/60
R.L. AMPS - L.R. AMPS	14.7-75.0
FACTORY INSTALLED	
START COMPONENTS	NO
INSULATION/SOUND BLANKET	NO
COMPRESSOR HEAT	YES
OUTDOOR FAN	PROPELLER
DIA. (IN.) - NO. USED	23-5/8 - 1
TYPE DRIVE - NO. SPEEDS	DIRECT - 1
CFM @ 0.0 IN. W.G.	2700
NO. MOTORS - HP	1 - 1/6
MOTOR SPEED R.P.M.	825
VOLTS/PH/HZ	208/230/1/60
F.L. AMPS	1.0
OUTDOOR COIL — TYPE	PLATE FIN
ROWS - F.P.I.	2 - 21
FACE AREA (SQ. FT.)	13.6
TUBE SIZE (IN.)	3/16
REFRIGERANT CONTROL	ORIFICE
REFRIGERANT	
LBS. — R-410A (O.D. UNIT)	6 LBS. - 11 OZ.
FACTORY SUPPLIED	YES
LINE SIZE - IN. O.D. GAS	3/4
LINE SIZE - IN. O.D. LIQ.	3/8
CHARGING SPECIFICATION	
SUBCOOLING	8° F
DIMENSIONS	H X W X D
CRATED (IN.)	26-1/4 x 30-1/5 x 30-1/5
WEIGHT	
SHIPPING (LBS.)	177
NET (LBS.)	168

NOTE: All dimensions are in mm/inches.

Model	H	W	L	LIQUID VALVE SIZE	GAS VALVE SIZE
M4HP6036B1000AA	633 (24-15/16)	740 (29-1/8)	740 (29-1/8)	3/8	3/4



# Mechanical Specification Options

---

## **General**

The M4HP60 is fully charged from the factory. This unit is designed to operate at outdoor ambient temperatures as high as 115°F. Cooling capacities are matched with air handlers and furnace coils that are AHRI certified. The unit is certified to ETL. Exterior is designed for outdoor application.

## **Casing**

Unit casing is constructed of heavy gauge, Galvanized steel and painted with a weather-resistant powder paint on all grilles, panels, pre-paint on all other panels. And had 500-hours salt spray tested.

## **Refrigerant Controls**

Refrigeration system controls include condenserfan, compressor contactor, high pressure switch and low pressure switch. The factory installed crankcase heat can protect compress when it stands by.

## **Scroll Compressor**

Features include low vibration and noise.

## **Condenser Coil**

The outdoor coil provides low airflow resistance and efficient heat transfer. The coil is protected on all four sides by grille panels.

## **Optional accessories**

### **Liquid line drier —**

It is used to filter out impurities and water in the system, ensures system clean and dry.



---

---

---

---

Ameristar

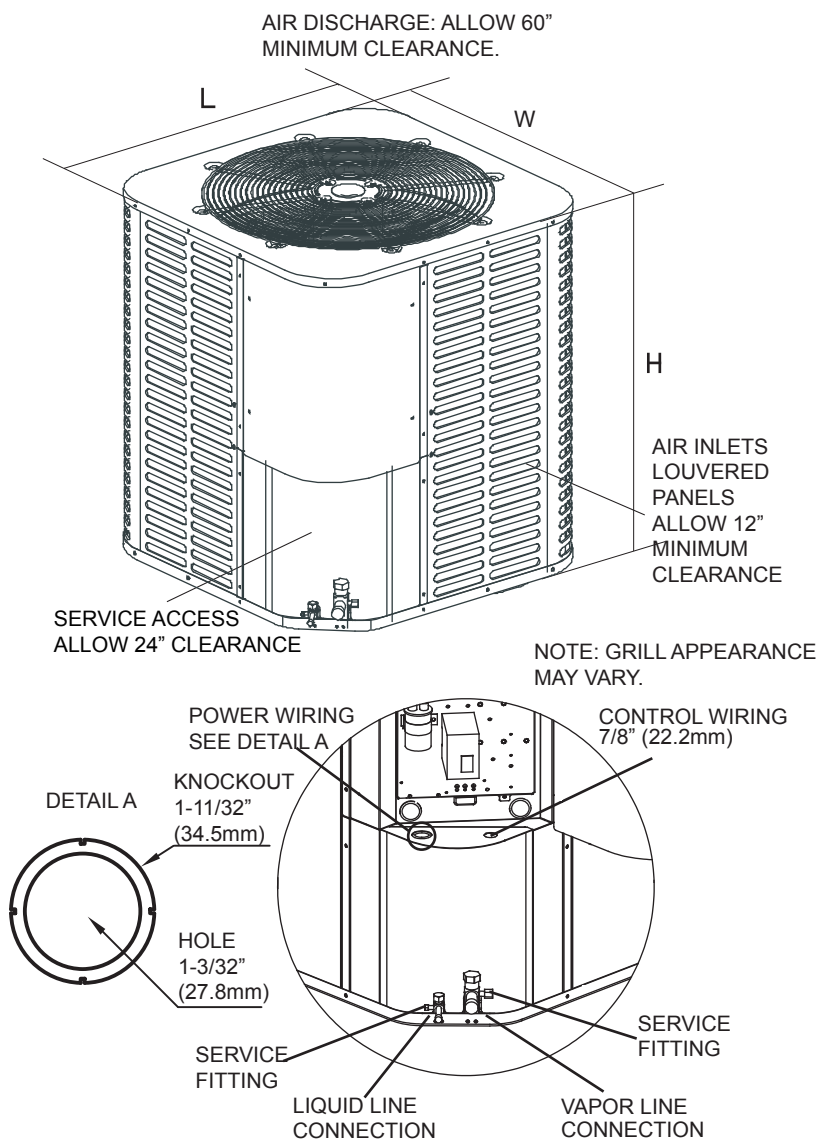
*Ameristar has a policy of continuous product and product data improvement and it reserves the right to change design and specifications without notice.*



TAG: \_\_\_\_\_

# SUBMITTAL

## 3.5 Ton Split System Heat Pump - 1 Phase M4HP6042B1000AA



### Product Specifications

OUTDOOR UNIT	M4HP6042B1000AA
POWER CONNS. — V/PH/HZ	208/230/1/60
MIN. BRCH. CIR. AMPACITY	21.6
BR. CIR. PROT. RTG. - MAX. (AMPS)	35
COMPRESSOR	SCROLL
NO. USED - NO. SPEEDS	1 - 1
VOLTS/PH/HZ	208/230/1/60
R.L. AMPS - L.R. AMPS	15.9-112.3
FACTORY INSTALLED	
START COMPONENTS	NO
INSULATION/SOUND BLANKET	NO
COMPRESSOR HEAT	YES
OUTDOOR FAN	PROPELLER
DIA. (IN.) - NO. USED	23 - 1
TYPE DRIVE - NO. SPEEDS	DIRECT - 1
CFM @ 0.0 IN. W.G.	3700
NO. MOTORS - HP	1 - 1/3
MOTOR SPEED R.P.M.	1075
VOLTS/PH/HZ	208/230/1/60
F.L. AMPS	1.7
OUTDOOR COIL — TYPE	PLATE FIN
ROWS - F.P.I.	2 - 21
FACE AREA (SQ. FT.)	17.4
TUBE SIZE (IN.)	3/16
REFRIGERANT CONTROL	ORIFICE
REFRIGERANT	
LBS. — R-410A (O.D. UNIT)	8 LBS. - 3 OZ.
FACTORY SUPPLIED	YES
LINE SIZE - IN. O.D. GAS	3/4
LINE SIZE - IN. O.D. LIQ.	3/8
CHARGING SPECIFICATION	
SUBCOOLING	8° F
DIMENSIONS	H X W X D
CRATED (IN.)	34-1/2x29x29
WEIGHT	
SHIPPING (LBS.)	212
NET (LBS.)	201

NOTE: All dimensions are in mm/inches.

Model	H	W	L	LIQUID VALVE SIZE	GAS VALVE SIZE
M4HP6042B1000AA	843 (33-3/16)	710 (28)	710 (28)	3/8	3/4

# Mechanical Specification Options

---

## **General**

The M4HP60 is fully charged from the factory. This unit is designed to operate at outdoor ambient temperatures as high as 115°F. Cooling capacities are matched with air handlers and furnace coils that are AHRI certified. The unit is certified to ETL. Exterior is designed for outdoor application.

## **Casing**

Unit casing is constructed of heavy gauge, Galvanized steel and painted with a weather-resistant powder paint on all grilles, panels, pre-paint on all other panels. And had 500-hours salt spray tested.

## **Refrigerant Controls**

Refrigeration system controls include condenserfan, compressor contactor, high pressure switch and low pressure switch. The factory installed crankcase heat can protect compress when it stands by.

## **Scroll Compressor**

Features include low vibration and noise.

## **Condenser Coil**

The outdoor coil provides low airflow resistance and efficient heat transfer. The coil is protected on all four sides by grille panels.

## **Optional accessories**

### **Liquid line drier —**

It is used to filter out impurities and water in the system, ensures system clean and dry.



---

---

---

---

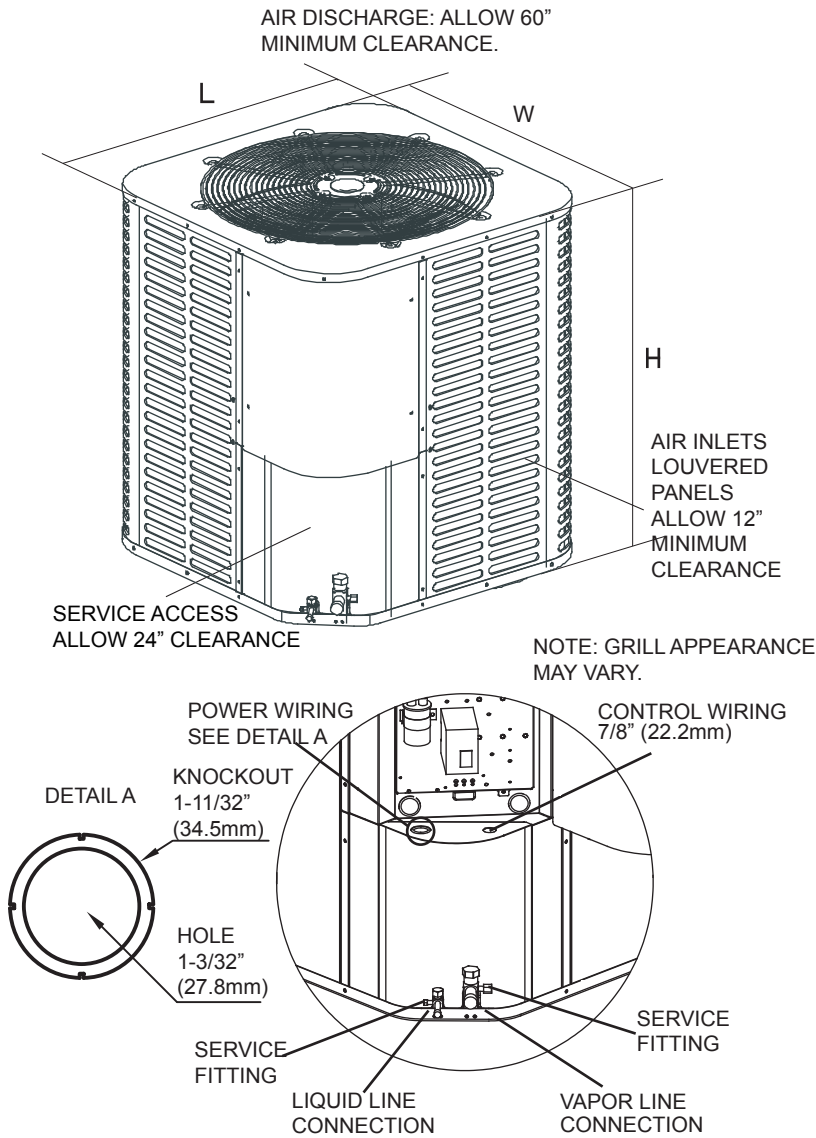
Ameristar

**Ameristar** has a policy of continuous product and product data improvement and it reserves the right to change design and specifications without notice.

TAG: \_\_\_\_\_

# SUBMITTAL

## 4.0 Ton Split System Heat Pump - 1 Phase M4HP6048B1000AA



### Product Specifications

OUTDOOR UNIT	M4HP6048B1000AA
POWER CONNS. — V/PH/HZ	208/230/1/60
MIN. BRCH. CIR. AMPACITY	22.9
BR. CIR. PROT. RTG. - MAX. (AMPS)	35
COMPRESSOR	SCROLL
NO. USED - NO. SPEEDS	1 - 1
VOLTS/PH/HZ	208/230/1/60
R.L. AMPS - L.R. AMPS	16.9-94.0
FACTORY INSTALLED	
START COMPONENTS	NO
INSULATION/SOUND BLANKET	NO
COMPRESSOR HEAT	YES
OUTDOOR FAN	PROPELLER
DIA. (IN.) - NO. USED	23-5/8 - 1
TYPE DRIVE - NO. SPEEDS	DIRECT - 1
CFM @ 0.0 IN. W.G.	3700
NO. MOTORS - HP	1 - 1/3
MOTOR SPEED R.P.M.	1100
VOLTS/PH/HZ	208/230/1/60
F.L. AMPS	1.7
OUTDOOR COIL — TYPE	PLATE FIN
ROWS - F.P.I.	2 - 21
FACE AREA (SQ. FT.)	18.4
TUBE SIZE (IN.)	3/16
REFRIGERANT CONTROL	ORIFICE
REFRIGERANT	
LBS. — R-410A (O.D. UNIT)	8 LBS. - 14 OZ.
FACTORY SUPPLIED	YES
LINE SIZE - IN. O.D. GAS	7/8
LINE SIZE - IN. O.D. LIQ.	3/8
CHARGING SPECIFICATION	
SUBCOOLING	8° F
DIMENSIONS	H X W X D
CRATED (IN.)	38-63/64x30-1/5x30-1/5
WEIGHT	
SHIPPING (LBS.)	243
NET (LBS.)	209

NOTE: All dimensions are in mm/inches.

Model	H	W	L	LIQUID VALVE SIZE	GAS VALVE SIZE
M4HP6048B1000AA	843 (33-3/16)	740 (29-1/8)	740 (29-1/8)	3/8	7/8

# Mechanical Specification Options

---

## **General**

The M4HP60 is fully charged from the factory. This unit is designed to operate at outdoor ambient temperatures as high as 115°F. Cooling capacities are matched with air handlers and furnace coils that are AHRI certified. The unit is certified to ETL. Exterior is designed for outdoor application.

## **Casing**

Unit casing is constructed of heavy gauge, Galvanized steel and painted with a weather-resistant powder paint on all grilles, panels, pre-paint on all other panels. And had 500-hours salt spray tested.

## **Refrigerant Controls**

Refrigeration system controls include condenserfan, compressor contactor, high pressure switch and low pressure switch. The factory installed crankcase heat can protect compress when it stands by.

## **Scroll Compressor**

Features include low vibration and noise.

## **Condenser Coil**

The outdoor coil provides low airflow resistance and efficient heat transfer. The coil is protected on all four sides by grille panels.

## **Optional accessories**

### **Liquid line drier —**

It is used to filter out impurities and water in the system, ensures system clean and dry.



---

---

---

---

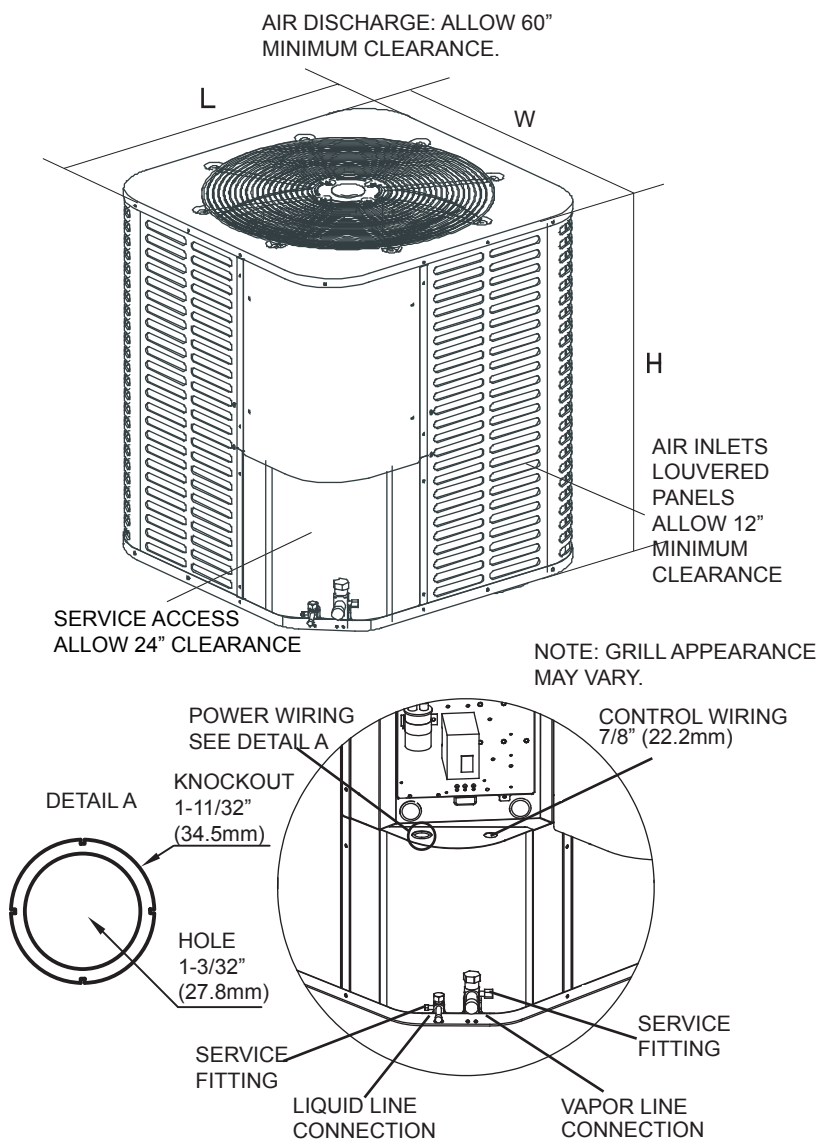
Ameristar

*Ameristar has a policy of continuous product and product data improvement and it reserves the right to change design and specifications without notice.*

TAG: \_\_\_\_\_

# SUBMITTAL

## 5.0 Ton Split System Heat Pump - 1 Phase M4HP6060B1000AA



### Product Specifications

OUTDOOR UNIT	M4HP6060B1000AA
POWER CONNS. — V/PH/HZ	208/230/1/60
MIN. BRCH. CIR. AMPACITY	28.8
BR. CIR. PROT. RTG. - MAX. (AMPS)	45
COMPRESSOR	SCROLL
NO. USED - NO. SPEEDS	1 - 1
VOLTS/PH/HZ	208/230/1/60
R.L. AMPS - L.R. AMPS	20.9-127.1
FACTORY INSTALLED	
START COMPONENTS	NO
INSULATION/SOUND BLANKET	NO
COMPRESSOR HEAT	YES
OUTDOOR FAN	PROPELLER
DIA. (IN.) - NO. USED	23-1/16 - 1
TYPE DRIVE - NO. SPEEDS	DIRECT - 1
CFM @ 0.0 IN. W.G.	3300
NO. MOTORS - HP	1 - 1/3
MOTOR SPEED R.P.M.	1050
VOLTS/PH/HZ	208/230/1/60
F.L. AMPS	2.6
OUTDOOR COIL — TYPE	PLATE FIN
ROWS - F.P.I.	2.8 - 19
FACE AREA (SQ. FT.)	18.4
TUBE SIZE (IN.)	9/32
REFRIGERANT CONTROL	ORIFICE
REFRIGERANT	
LBS. — R-410A (O.D. UNIT)	11 LBS. - 5 OZ.
FACTORY SUPPLIED	YES
LINE SIZE - IN. O.D. GAS	7/8
LINE SIZE - IN. O.D. LIQ.	3/8
CHARGING SPECIFICATION	
SUBCOOLING	8° F
DIMENSIONS	H X W X D
CRATED (IN.)	38-63/64x30-1/5x30-1/5
WEIGHT	
SHIPPING (LBS.)	260
NET (LBS.)	225

NOTE: All dimensions are in mm/inches.

Model	H	W	L	LIQUID VALVE SIZE	GAS VALVE SIZE
M4HP6060B1000AA	843 (33-3/16)	740 (29-1/8)	740 (29-1/8)	3/8	7/8

# Mechanical Specification Options

---

## **General**

The M4HP60 is fully charged from the factory. This unit is designed to operate at outdoor ambient temperatures as high as 115°F. Cooling capacities are matched with air handlers and furnace coils that are AHRI certified. The unit is certified to ETL. Exterior is designed for outdoor application.

## **Casing**

Unit casing is constructed of heavy gauge, Galvanized steel and painted with a weather-resistant powder paint on all grilles, panels, pre-paint on all other panels. And had 500-hours salt spray tested.

## **Refrigerant Controls**

Refrigeration system controls include condenserfan, compressor contactor, high pressure switch and low pressure switch. The factory installed crankcase heat can protect compress when it stands by.

## **Scroll Compressor**

Features include low vibration and noise.

## **Condenser Coil**

The outdoor coil provides low airflow resistance and efficient heat transfer. The coil is protected on all four sides by grille panels.

## **Optional accessories**

### **Liquid line drier —**

It is used to filter out impurities and water in the system, ensures system clean and dry.



---

---

---

---

Ameristar

*Ameristar has a policy of continuous product and product data improvement and it reserves the right to change design and specifications without notice.*