

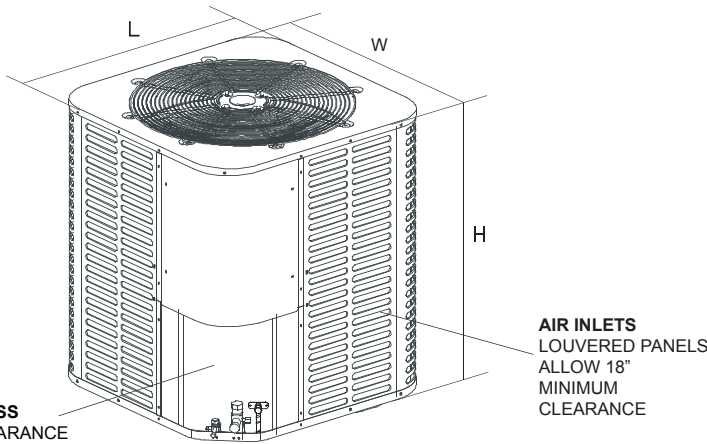
TAG: _____

SUBMITTAL

4.0 Ton Split System Air Conditioner - 1 Phase M4AC3048B1000AA

Product Specifications

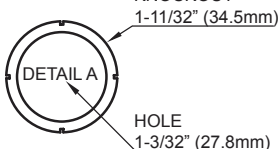
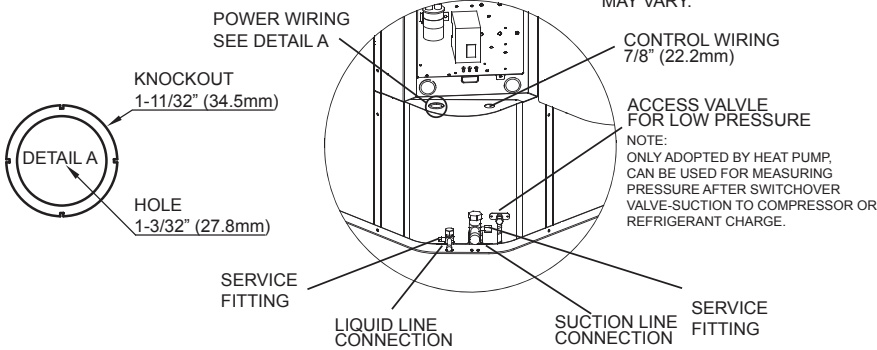
OUTDOOR UNIT	M4AC3048B1000AA
POWER CONNS. — V/PH/HZ	208/230/1/60
MIN. BRCH. CIR. AMPACITY	32.0
BR. CIR. PROT. RTG. - MAX. (AMPS)	50
COMPRESSOR	SCROLL
NO. USED - NO. SPEEDS	1 - 1
VOLTS/PH/HZ	208/230/1/60
R.L. AMPS - L.R. AMPS	24.2 - 100.0
FACTORY INSTALLED	
START COMPONENTS	NO
INSULATION/SOUND BLANKET	NO
COMPRESSOR HEAT	NO
OUTDOOR FAN	PROPELLER
DIA. (IN.) - NO. USED	23 - 1
TYPE DRIVE - NO. SPEEDS	DIRECT - 1
CFM @ 0.0 IN. W.G.	4000
NO. MOTORS - HP	1 - 1/3
MOTOR SPEED R.P.M.	1075
VOLTS/PH/HZ	208/230/1/60
F.L. AMPS	1.70
OUTDOOR COIL — TYPE	PLATE FIN
ROWS - F.P.I.	2 - 19
FACE AREA (SQ. FT.)	17.42
TUBE SIZE (IN.)	9/32
REFRIGERANT CONTROL	ORIFICE
REFRIGERANT	
LBS. — R-410 (O.D. UNIT)	8 LBS. - 1 OZ.
FACTORY SUPPLIED	YES
LINE SIZE - IN. O.D. GAS	7/8
LINE SIZE - IN. O.D. LIQ.	3/8
CHARGING SPECIFICATION	
SUBCOOLING	8° F
DIMENSIONS	W X H X D
CRATED (IN.)	29x31-1/5x29
WEIGHT	
SHIPPING (LBS.)	216
NET (LBS.)	200



SERVICE ACCESS
ALLOW 24" CLEARANCE

AIR INLETS
LOUVERED PANELS
ALLOW 18"
MINIMUM
CLEARANCE

NOTE: GRILL APPEARANCE
MAY VARY.



ACCESS VALVE FOR LOW PRESSURE
NOTE:
ONLY ADOPTED BY HEAT PUMP.
CAN BE USED FOR MEASURING
PRESSURE AFTER SWITCHOVER
VALVE-SUCTION TO COMPRESSOR OR
REFRIGERANT CHARGE.

NOTE: All dimensions are in mm/inches.

Model	H	W	L	LIQUID VALVE SIZE	GAS VALVE SIZE
M4AC3048B1000AA	759 (29-7/8)	710 (28)	710 (28)	3/8	7/8

Mechanical Specification Options

General

The M4AC30 is fully charged from the factory. This unit is designed to operate at outdoor ambient temperatures as high as 115°F. Cooling capacities are matched with air handlers and furnace coils that are AHRI certified. The unit is certified to ETL. Exterior is designed for outdoor application.

Casing

Unit casing is constructed of heavy gauge, Galvanized steel and painted with a weather-resistant powder paint on all grilles, panels, pre-paint on all other panels. And had 500-hours salt spray tested.

Refrigerant Controls

Refrigeration system controls include condenserfan, compressor contactor.

Scroll Compressor

Features include low vibration and noise.

Condenser Coil

The outdoor coil provides low airflow resistance and efficient heat transfer. The coil is protected on all four sides by grille panels.

Optional accessories

Thermostats —

When choosing a thermostat, choose a non-programmable electric thermostat series. Please refer to the thermostat electrical manual wiring schematic.

Liquid line drier —

It is used to filter out impurities and water in the system, ensures system clean and dry.



Ameristar

Ameristar has a policy of continuous product and product data improvement and it reserves the right to change design and specifications without notice.