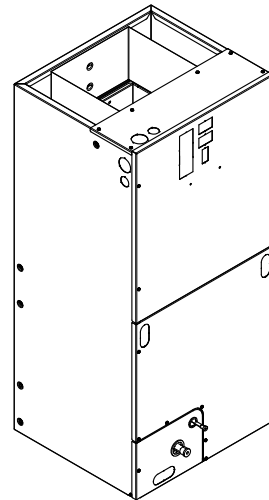


Product Data

Convertible Air Handlers 1-1/2 – 5 Ton

TEM8A0B24V21DB
TEM8A0B30V31DB
TEM8A0C36V31DB
TEM8A0C42V41DB
TEM8A0C48V41DB
TEM8A0D48V41DB
TEM8A0C60V51DB
TEM8A0D60V51DB



The TEM8 series air handler is designed for installation in a closet, utility room, alcove, basement, crawlspace or attic. These versatile units are applicable to air conditioning and heat pump applications. Several models are available to meet the specific requirements of the outdoor equipment. Field installed electric resistance heaters are available.

Features and Benefits

- Communicating or 24 V control
- Painted metal cabinet with captured foil face insulation
- 2% or less air leakage
- R-4.2 Insulating Value
- Multi-Position UP/Down Flow, Horizontal Left /Right
- ALL Aluminum Coil with Enhanced Patented Coil Fin
- Electric Heaters with polarized plug connections (sold as accessory)
- R-410A Thermal Expansion Valve
- Variable Speed ECM Motor
- Low Voltage Pigtail Connections
- Draw Through Design
- Horizontal Drain Pan
- Single Color
- Fused 24V Power
- **3 year warranty**
- **10-year warranty registered**
- **Optional extended warranty available**

Optional Equipment

Accessory Number	Description	Fits Model
TEMBRKSEALKT	Breaker Seal Kit	TEM8A0B24-TEM8A0D60
BAYHTR1504BRKC	Electric Heater, 4KW, Breaker, 24V Control, 1 Ph	TEM8A0B24-TEM8A0D60
BAYHTR1504LUGB	Electric Heater, 4KW, Lug, 24V Control, 1 Ph	TEM8A0B24-TEM8A0D60
BAYHTR1505BRKC	Electric Heater, 5KW, Breaker, 24V Control, 1 Ph	TEM8A0B24-TEM8A0D60
BAYHTR1505LUGB	Electric Heater, 5KW, Lug, 24V Control, 1 Ph	TEM8A0B24-TEM8A0D60
BAYHTR1508BRKC	Electric Heater, 8KW, Breaker, 24V Control, 1 Ph	TEM8A0B24-TEM8A0D60
BAYHTR1508LUGB	Electric Heater, 8KW, Lug, 24V Control, 1 Ph	TEM8A0B24-TEM8A0D60
BAYHTR1510BRKC	Electric Heater, 10KW, Breaker, 24V Control, 1 Ph	TEM8A0B24-TEM8A0D60
BAYHTR1510LUGB	Electric Heater, 10KW, Lug, 24V Control, 1 Ph	TEM8A0B24-TEM8A0D60
BAYHTR1516BRKA	Electric Heater, 15KW, Breaker, 24V Control, 1 Ph	TEM8A0B24-TEM8A0D60
BAYHTR3510LUGC	Electric Heater, 10KW, Lug, 24V Control, 3 Ph	TEM8A0B24-TEM8A0D60
BAYHTR3515LUGC	Electric Heater, 15KW, Lug, 24V Control, 3Ph	TEM8A0B24-TEM8A0D60
BAYHTR1517BRKA	Electric Heater, 15KW, Breaker, 24V Control, 1 Ph	TEM8A0B24-TEM8A0D60
BAYHTR3517BRKA	Electric Heater, 15KW, Lug, 24V Control, 3 Ph	TEM8A0B24-TEM8A0D60
BAYHTR1522BRKA	Electric Heater, 20KW, Breaker, 24V Control, 1 Ph	TEM8A0B36-TEM8A0D60
BAYHTR1523BRKA	Electric Heater, 20KW, Breaker, 24V Control, 1 Ph	TEM8A0B36-TEM8A0D60
BAYHTR1525BRKA	Electric Heater, 25KW, Breaker, 24V Control, 1 Ph	TEM8A0B48-TEM8A0D60
BAYTEMSPFG1A/B	Supply Duct Flange Kit	TEM8A0B24-TEM8A0D60
BAYSPEKT201A	Single Point Power Entry Kit	TEM8A0B24-TEM8A0D60
TAYBASETEMA	Downflow Sub-Base, Adjustable	TEM8A0B24-TEM8A0D60
TAYBASE185	Air Handler Downflow Sub-Bases	TEM8A0B24-TEM8A0B30
TAYBASE235 (TAYBASE 100)	Air Handler Downflow Sub-Bases	TEM8A0C36-TEM8A0C42
TAYBASE260	Air Handler Downflow Sub-Bases	TEM8A0D48-TEM8A0D60
BAY6TXV2442A	R-22 TXV Conversion Kit	TEM8A0B24-TEM8A0C42
BAY6TXV4860A	R-22 TXV Conversion Kit	TEM8A0D48-TEM8A0D60
BAYATXV6161C	R-22 TXV Conversion Kit	TEM8A0C48-TEM8A0C60
BAYSF1185AAA	Slim Fit Filter Box	18.5"
BAYSF1235AAA	Slim Fit Filter Box	23.5"
BAYSF1265AAA	Slim Fit Filter Box	26.5"

Product Specifications

MODEL	TEM8A0B24V21DB	TEM8A0B30V31DB	TEM8A0C36V31DB
RATED VOLTS/PH/HZ	208-230/1/60	208-230/1/60	208-230/1/60
RATINGS ^(a)	See O.D. Specifications	See O.D. Specifications	See O.D. Specifications
INDOOR COIL — Type	Plate Fin	Plate Fin	Plate Fin
Rows — F.P.I.	4 - 14	4 - 14	4 - 14
Face Area (sq. ft.)	3.44	3.44	4.59
Tube Size (in.)	3/8	3/8	3/8
Refrigerant Control	TXV	TXV	TXV
Drain Conn. Size (in.) ^(b)	3/4 NPT	3/4 NPT	3/4 NPT
DUCT CONNECTIONS	See Outline Drawing	See Outline Drawing	See Outline Drawing
INDOOR FAN — Type	Centrifugal	Centrifugal	Centrifugal
Diameter-Width (In.)	11 X 8	11 X 8	11 X 8
No. Used	1	1	1
Drive - No. Speeds	Direct - 16	Direct - 16	Direct - 16
CFM vs. in. w.g.	See Fan Performance Table	See Fan Performance Table	See Fan Performance Table
No. Motors — H.P.	1 - 1/3	1 - 1/2	1 - 1/2
Motor Speed R.P.M.	Variable	Variable	Variable
Volts/Ph/Hz	208-230/1/60	208-230/1/60	208-230/1/60
F.L. Amps	2.8	3.9	3.9
FILTER			
Filter Furnished? ^(c)	No	No	No
REFRIGERANT	R-410A	R-410A	R-410A
Ref. Line Connections	Brazed	Brazed	Brazed
Coupling or Conn. Size — in. Gas	3/4	3/4	7/8
Coupling or Conn. Size — in. Liq.	3/8	3/8	3/8
DIMENSIONS	H x W x D	H x W x D	H x W x D
Crated (In.)	48-1/4 x 22-1/2 x 25-1/2	48-1/4 x 22-1/2 x 25-1/2	52-3/4 x 27-1/2 x 25-1/2
Uncrated	46-3/4 x 18-1/2 x 21-1/8	46-3/4 x 18-1/2 x 21-1/8	51-3/8 x 23-1/2 x 21-1/8
WEIGHT			
Shipping (Lbs.) / Net (Lbs.)	126/117	126/117	155/144

^(a) These Air Handlers are A.H.R.I certified with various Split System Air Conditioners and Heat Pumps (AHRI STANDARD 210/240). Refer to the Split System Outdoor Unit Product Data Guides for performance data.

^(b) 3/4" Male Plastic Pipe (Ref: ASTM 1785-76)

^(c) Remote filter required.

Product Specifications

MODEL	TEM8A0C42V41DB	TEM8A0C48V41DB	TEM8A0C60V51DB
RATED VOLTS/PH/HZ	208-230/1/60	208-230/1/60	208-230/1/60
RATINGS^(a)	See O.D. Specifications	See O.D. Specifications	See O.D. Specifications
INDOOR COIL — Type	Plate Fin	Plate Fin	Plate Fin
Rows — F.P.I.	4 - 14	3 - 16	3 - 16
Face Area (sq. ft.)	4.59	7.9	7.9
Tube Size (in.)	3/8	3/8	3/8
Refrigerant Control	TXV	TXV	TXV
Drain Conn. Size (in.) ^(b)	3/4 NPT	3/4 NPT	3/4 NPT
DUCT CONNECTIONS	See Outline Drawing	See Outline Drawing	See Outline Drawing
INDOOR FAN — Type	Centrifugal	Centrifugal	Centrifugal
Diameter-Width (In.)	11 X 8	11 X 11	11 X 11
No. Used	1	1	1
Drive - No. Speeds	Direct - 16	Direct - 16	Direct - 16
CFM vs. in. w.g.	See Fan Performance Table	See Fan Performance Table	See Fan Performance Table
No. Motors — H.P.	1 - 1/2	1 - 3/4	1 - 3/4
Motor Speed R.P.M.	Variable	Variable	Variable
Volts/Ph/Hz	208-230/1/60	208-230/1/60	208-230/1/60
F.L. Amps	3.9	5.7	5.7
FILTER			
Filter Furnished? ^(c)	No	No	No
REFRIGERANT	R-410A	R-410A	R-410A
Ref. Line Connections	Brazed	Brazed	Brazed
Coupling or Conn. Size — in. Gas	7/8	7/8	7/8
Coupling or Conn. Size — in. Liq.	3/8	3/8	3/8
DIMENSIONS	H x W x D	H x W x D	H x W x D
Crated (In.)	52-3/4 x 27-1/2 x 25-1/2	57-1/8 x 27-1/2 x 25-1/2	57-1/8 x 27-1/2 x 25-1/2
Uncrated	51-3/8 x 23-1/2 x 21-1/8	55-3/4 x 23-1/2 x 21-1/8	55-3/4 x 23-1/2 x 21-1/8
WEIGHT			
Shipping (Lbs.) / Net (Lbs.)	155/144	185/174	185/174

^(a) These Air Handlers are A.H.R.I certified with various Split System Air Conditioners and Heat Pumps (AHRI STANDARD 210/240). Refer to the Split System Outdoor Unit Product Data Guides for performance data.

^(b) 3/4" Male Plastic Pipe (Ref: ASTM 1785-76)

^(c) Remote filter required.

Product Specifications

MODEL	TEM8A0D48V41DB	TEM8A0D60V51DB
RATED VOLTS/PH/HZ	208-230/1/60	208-230/1/60
RATINGS^(a)	See O.D. Specifications	See O.D. Specifications
INDOOR COIL — Type	Plate Fin	Plate Fin
Rows — F.P.I.	4 - 16	4 - 16
Face Area (sq. ft.)	6.47	6.47
Tube Size (in.)	3/8	3/8
Refrigerant Control	TXV	TXV
Drain Conn. Size (in.) ^(b)	3/4 NPT	3/4 NPT
DUCT CONNECTIONS	See Outline Drawing	See Outline Drawing
INDOOR FAN — Type	Centrifugal	Centrifugal
Diameter-Width (In.)	11 X 11	11 X 11
No. Used	1	1
Drive - No. Speeds	Direct - 16	Direct - 16
CFM vs. in. w.g.	See Fan Performance Table	See Fan Performance Table
No. Motors — H.P.	1 - 3/4	1 - 3/4
Motor Speed R.P.M.	Variable	Variable
Volts/Ph/Hz	208-230/1/60	208-230/1/60
F.L. Amps	5.7	5.7
FILTER		
Filter Furnished? ^(c)	No	No
REFRIGERANT	R-410A	R-410A
Ref. Line Connections	Brazed	Brazed
Coupling or Conn. Size — in. Gas	7/8	7/8
Coupling or Conn. Size — in. Liq.	3/8	3/8
DIMENSIONS	H x W x D	H x W x D
Crated (In.)	55-3/8 x 30-1/2 x 25-1/2	55-3/8 x 30-1/2 x 25-1/2
Uncrated	53-7/8 x 26-1/2 x 21-1/8	53-7/8 x 26-1/2 x 21-1/8
WEIGHT		
Shipping (Lbs.) / Net (Lbs.)	181/168	181/168

^(a) These Air Handlers are A.H.R.I certified with various Split System Air Conditioners and Heat Pumps (AHRI STANDARD 210/240). Refer to the Split System Outdoor Unit Product Data Guides for performance data.

^(b) 3/4" Male Plastic Pipe (Ref: ASTM 1785-76)

^(c) Remote filter required.

Heater Pressure Drop Table

Airflow CFM	Number of Racks				Heater Racks	
	1	2	3	4	Heater Model	No. of Racks
	Air Pressure Drop — Inches W.G.					
1800	0.02	0.04	0.06	0.14	BAYHTR1504	1
1700	0.02	0.04	0.06	0.14	BAYHTR1505	1
1600	0.02	0.04	0.06	0.13	BAYHTR1508	2
1500	0.02	0.04	0.06	0.12	BAYHTR1510	2
1400	0.02	0.04	0.06	0.12	BAYHTR1516	3
1300	0.02	0.04	0.05	0.11	BAYHTR3510	3
1200	0.01	0.04	0.05	0.10	BAYHTR3515	3
1100	0.01	0.03	0.05	0.09	BAYHTR1517	3
1000	0.01	0.03	0.04	0.09	BAYHTR1522	4
900	0.01	0.03	0.04	0.08	BAYHTR3517	3
800	0.01	0.03			BAYHTR1523	4
700	0.01	0.02			BAYHTR1525	4
600	0.01	0.02				

Subcooling Adjustment

Subcooling Adjustment

System Matched with:	Indoor Unit Model No.	Outdoor Model No.	Subcooling
16 SEER HP — 2 ton	TEM8A0C36V31	4TWR6024H1000A 4TWX6024H1000A 4A6H6024H1000A	13 Degrees
15 SEER HP — 2 ton	TEM8A0B24V21 TEM8A0B30V31	4TWR5024G1000A 4A6H5024G1000A	14 Degrees
15 SEER HP — 3 ton	TEM8A0B30V31 TEM8A0C36V31 TEM8A0C42V41	4TWR5036G1000A 4A6H5036G1000A	14 Degrees
All other matches must be charged per the nameplate charging instructions			

Subcooling Adjustment for TEM8A0C48V41 & TEM8A0C60V51

Sub-Cooling Charge Specification For AHRI Rated Performance		
OD Equipment	Up Flow / Horizontal	Down Flow
AC UNIT	OD Name Plate	OD Name Plate
HP UNIT ≤ 3.5 Tons	OD Name Plate	OD Name Plate + 4 Degrees
HP UNIT = 4 and 5 Tons	OD Name Plate	OD Name Plate

Performance and Electrical Data

TEM8A0B24V21DB AIRFLOW PERFORMANCE												CONSTANT CFM MODE / CONSTANT TORQUE MODE					
OUTDOOR MULTIPLIER (TONS)	COOLING AIRFLOW SETTING	AIRFLOW POWER	EXTERNAL STATIC PRESSURE (Constant CFM / Constant Torque)				HEATING AIRFLOW SETTING	AIRFLOW POWER	EXTERNAL STATIC PRESSURE								
			0.1	0.3	0.5	0.7			0.9	0.1	0.3	0.5	0.7	0.9			
1.5 tons	290 CFM/ton	CFM Watts	430/538 50/39	430/415 75/48	430/264 95/43	430/NA 110/NA	430/NA 145/NA	290 CFM/ton	CFM Watts	434 34	419 96	403 130	384 167				
	350 CFM/ton	CFM Watts	520/620 60/53	520/514 90/64	520/398 120/61	520/NA 135/NA	510/NA 175/NA	350 CFM/ton	CFM Watts	521 44	514 112	500 153	485 196				
	400 CFM/ton	CFM Watts	590/688 75/67	590/593 105/80	590/493 140/80	590/NA 160/NA	590/NA 205/NA	400 CFM/ton	CFM Watts	595 56	595 127	584 173	573 222				
	450 CFM/ton	CFM Watts	670/758 85/85	670/671 125/100	660/581 160/102	660/NA 190/NA	660/NA 235/NA	450 CFM/ton	CFM Watts	668 71	675 145	668 196	660 250				
	290 CFM/ton	CFM Watts	570/670 60/63	570/573 90/76	570/469 125/75	570/NA 165/NA	568/NA 215/NA	290 CFM/ton	CFM Watts	575 53	573 123	561 167	549 215				
2 tons	350 CFM/ton	CFM Watts	690/781 85/91	690/696 120/107	690/609 160/110	690/518 210/98	680/NA 259/NA	350 CFM/ton	CFM Watts	693 76	693 152	696 204	689 259				
	400 CFM/ton	CFM Watts	790/875 110/122	790/798 150/140	790/720 195/145	780/639 250/137	780/555 301/115	400 CFM/ton	CFM Watts	791 103	795 184	803 240	798 301				
	450 CFM/ton	CFM Watts	890/971 145/161	890/899 185/181	880/827 235/189	880/754 295/184	880/680 347/184	450 CFM/ton	CFM Watts	889 138	895 226	899 284	891 347				
	290 CFM/ton	CFM Watts	720/823 90/104	720/741 140/120	710/659 170/124	710/573 220/115	710/481 260/91	290 CFM/ton	CFM Watts	717 82	728 159	723 212	717 269				
	350 CFM/ton	CFM Watts	870/963 140/157	860/892 182/177	873/819 235/185	860/746 280/180	850/671 330/161	350 CFM/ton	CFM Watts	865 128	871 170	876 272	869 335				
2.5 tons †	390 † CFM/ton	CFM Watts	958/1075 147/170	975/1000 203/195	946/878 269/211	871/711 342/197	802/617 403/189	390 † CFM/ton	CFM Watts	958 138	979 257	878 336	822 406				
	400 CFM/ton	CFM Watts	980/1100 157/181	993/1019 213/205	958/889 280/219	875/714 357/205	801/616 418/196	400 CFM/ton	CFM Watts	980 146	998 268	882 351	821 422				
	450 CFM/ton	CFM Watts	980/1100 157/181	993/1019 213/205	958/889 280/219	875/714 357/205	801/616 418/196	450 CFM/ton	CFM Watts	980 146	998 268	882 351	821 422				

- † Factory Setting
- Status LED will blink once per 100 CFM requested. In torque mode, actual airflow may be lower.
- To prevent water blow-off, the max airflow demand allowable is 1000 CFM. If an outdoor multiplier and cooling airflow setting should result in a demand higher than 1000, the AFC will default the demand back to 1000.
- Torque mode will reduce airflow when static is above approximately 0.3" water column.
- All heating modes default to Constant CFM.
- In communicating mode, default CFM/Ton is 400.
- Cooling airflow values are with wet coil, no filter

Performance and Electrical Data

OUTDOOR MULTIPLIER (TONS)	TEM8A0B30V31DB AIRFLOW PERFORMANCE										CONSTANT CFM MODE / CONSTANT TORQUE MODE									
	EXTERNAL STATIC PRESSURE (Constant CFM / Constant Torque)					AIRFLOW POWER	COOLING AIRFLOW SETTING	AIRFLOW POWER	HEATING AIRFLOW SETTING	AIRFLOW POWER	EXTERNAL STATIC PRESSURE									
	0.1	0.3	0.5	0.7	0.9						0.1	0.3	0.5	0.7	0.9					
1.5 tons	CFM	430/415	430/264	430/NA	430/NA	430/NA	290	CFM	290	CFM	434	419	419	403	384					
	Watts	50/39	75/48	95/43	110/NA	145/NA	CFM/ton	Watts	CFM/ton	34	64	96	130	167						
	CFM	520/620	520/514	520/398	520/NA	510/NA	350	CFM	350	CFM	521	512	514	500	485					
	Watts	60/53	90/64	120/61	135/NA	175/NA	CFM/ton	Watts	CFM/ton	44	77	112	153	196						
	CFM	590/688	590/593	590/493	590/NA	590/NA	400	CFM	400	CFM	595	589	595	584	573					
2 tons	Watts	75/67	105/80	140/80	160/NA	205/NA	CFM/ton	Watts	CFM/ton	56	91	127	173	222						
	CFM	670/758	670/671	660/581	660/NA	660/NA	450	CFM	450	CFM	668	667	675	668	660					
	Watts	85/85	125/100	160/102	190/NA	235/NA	CFM/ton	Watts	CFM/ton	71	107	145	196	250						
	CFM	570/670	570/573	570/469	570/NA	568/NA	290	CFM	290	CFM	575	569	573	561	549					
	Watts	60/63	90/76	125/75	165/NA	215/NA	CFM/ton	Watts	CFM/ton	53	87	123	167	215						
2.5 tons	CFM	690/781	690/696	690/609	690/518	680/NA	350	CFM	350	CFM	693	693	702	696	689					
	Watts	85/91	120/107	160/110	210/98	259/NA	CFM/ton	Watts	CFM/ton	76	113	152	204	259						
	CFM	790/875	790/798	790/720	780/639	780/555	400	CFM	400	CFM	791	795	805	803	798					
	Watts	110/122	150/140	195/145	250/137	301/115	CFM/ton	Watts	CFM/ton	103	143	184	240	301						
	CFM	890/971	890/899	880/827	880/754	880/680	450	CFM	450	CFM	889	895	902	899	891					
2.5 tons	Watts	145/161	185/181	235/189	295/184	347/184	CFM/ton	Watts	CFM/ton	138	181	226	284	347						
	CFM	720/823	720/741	710/659	710/573	710/481	290	CFM	290	CFM	717	718	728	723	717					
	Watts	90/104	140/120	170/124	220/115	260/91	CFM/ton	Watts	CFM/ton	82	120	159	212	269						
	CFM	870/963	860/892	873/819	860/746	850/671	350	CFM	350	CFM	865	871	879	876	869					
	Watts	140/157	182/177	235/185	280/180	330/161	CFM/ton	Watts	CFM/ton	128	170	214	272	335						
2.5 tons	CFM	969/1087	985/1011	993/921	992/809	1000/770	390	CFM	390	CFM	969	989	1004	999	1026					
	Watts	143/166	198/191	262/205	329/189	399/187	CFM/ton	Watts	CFM/ton	134	188	250	323	402						
	CFM	993/1114	1008/1035	1017/943	1015/828	1022/787	400	CFM	400	CFM	993	1013	1028	1023	1049					
	Watts	152/176	208/200	273/214	341/196	413/194	CFM/ton	Watts	CFM/ton	142	197	261	335	416						
	CFM	993/1114	1008/1035	1017/943	1015/828	1022/787	450	CFM	450	CFM	993	1013	1028	1023	1049					
3 tons †	Watts	152/176	208/200	273/214	341/196	413/194	CFM/ton	Watts	CFM/ton	142	197	261	335	416						
	CFM	868/974	884/907	891/826	893/729	894/688	290	CFM	290	CFM	868	888	901	900	917					
	Watts	111/128	163/156	220/173	281/162	345/162	CFM/ton	Watts	CFM/ton	103	154	211	277	347						
	CFM	993/1114	1008/1035	1017/943	1015/828	1022/787	350	CFM	350	CFM	993	1013	1028	1023	1049					
	Watts	152/176	208/200	273/214	341/196	413/194	CFM/ton	Watts	CFM/ton	142	197	261	335	416						
3 tons †	CFM	993/1114	1008/1035	1017/943	1015/828	1022/787	390 †	CFM	390 †	CFM	993	1013	1028	1023	1049					
	Watts	152/176	208/200	273/214	341/196	413/194	CFM/ton	Watts	CFM/ton	142	197	261	335	416						
	CFM	993/1114	1008/1035	1017/943	1015/828	1022/787	400	CFM	400	CFM	993	1013	1028	1023	1049					
	Watts	152/176	208/200	273/214	341/196	413/194	CFM/ton	Watts	CFM/ton	142	197	261	335	416						
	CFM	993/1114	1008/1035	1017/943	1015/828	1022/787	450	CFM	450	CFM	993	1013	1028	1023	1049					
3 tons †	Watts	152/176	208/200	273/214	341/196	413/194	CFM/ton	Watts	CFM/ton	142	197	261	335	416						

- Torque mode will reduce airflow when static is above approximately 0.3" water column.
- All heating modes default to Constant CFM.
- In communicating mode, default CFM/Ton is 400.
- Cooling airflow values are with wet coil, no filter

- † Factory Setting
- Status LED will blink once per 100 CFM requested. In torque mode, actual airflow may be lower.
- To prevent water blow-off, the max airflow demand allowable is 1000 CFM. If an outdoor multiplier and cooling airflow setting should result in a demand higher than 1000, the AFC will default the demand back to 1000.

Performance and Electrical Data

OUTDOOR MULTIPLIER (TONS)	TEM8A0C36V31DB & TEM8A0C42V41DB AIRFLOW PERFORMANCE (Constant CFM / Constant Torque)										CONSTANT CFM MODE / CONSTANT TORQUE MODE									
	EXTERNAL STATIC PRESSURE (Constant CFM / Constant Torque)					HEATING AIRFLOW SETTING					AIRFLOW POWER					EXTERNAL STATIC PRESSURE				
	0.1	0.3	0.5	0.7	0.9	290	350	400	450	290	350	400	450	CFM	Watts	0.1	0.3	0.5	0.7	0.9
2.5 tons	735 / 837	727 / 702	700 / 593	673 / 415	660 / 415	290	350	400	450	290	350	400	450	CFM	Watts	735	727	700	673	660
	59 / 72	96 / 90	138 / 105	176 / 123	215 / 148	CFM/ton	CFM/ton	CFM/ton	CFM/ton	CFM/ton	CFM/ton	CFM/ton	CFM/ton	Watts	Watts	59	96	138	176	215
	883 / 972	884 / 849	882 / 746	881 / 657	870 / 577	350	400	450	290	350	400	450	CFM	Watts	883	884	882	881	870	
	82 / 103	124 / 123	170 / 138	223 / 152	270 / 168	CFM/ton	CFM/ton	CFM/ton	CFM/ton	CFM/ton	CFM/ton	CFM/ton	CFM/ton	Watts	Watts	82	124	170	223	270
	1007 / 1084	1016 / 971	1033 / 874	1020 / 788	1010 / 711	400	450	290	350	400	450	290	350	CFM	Watts	1007	1016	1033	1020	1010
3 tons	109 / 136	154 / 158	204 / 171	269 / 187	320 / 200	CFM/ton	CFM/ton	CFM/ton	CFM/ton	CFM/ton	CFM/ton	CFM/ton	CFM/ton	Watts	Watts	109	154	204	269	320
	1133 / 1198	1146 / 1093	1176 / 1001	1140 / 919	1130 / 845	450	290	350	400	450	290	350	CFM	Watts	1133	1146	1176	1140	1130	
	143 / 177	192 / 202	246 / 220	321 / 233	375 / 244	CFM/ton	CFM/ton	CFM/ton	CFM/ton	CFM/ton	CFM/ton	CFM/ton	CFM/ton	Watts	Watts	143	192	246	321	375
	878 / 993	879 / 872	876 / 771	874 / 682	865 / 602	290	350	400	450	290	350	400	450	CFM	Watts	878	879	876	874	865
	82 / 108	123 / 129	169 / 144	221 / 157	270 / 173	CFM/ton	CFM/ton	CFM/ton	CFM/ton	CFM/ton	CFM/ton	CFM/ton	CFM/ton	Watts	Watts	82	123	169	221	270
3.5 tons	1057 / 1154	1068 / 1045	1091 / 952	1070 / 869	1060 / 793	350	400	450	290	350	400	450	CFM	Watts	1057	1068	1091	1070	1060	
	122 / 160	168 / 184	220 / 201	289 / 213	340 / 225	CFM/ton	CFM/ton	CFM/ton	CFM/ton	CFM/ton	CFM/ton	CFM/ton	CFM/ton	Watts	Watts	122	168	220	289	340
	1209 / 1289	1223 / 1190	1255 / 1102	1210 / 1024	1190 / 952	400	450	290	350	400	450	290	350	CFM	Watts	1209	1223	1255	1210	1190
	168 / 216	219 / 243	277 / 262	355 / 276	410 / 287	CFM/ton	CFM/ton	CFM/ton	CFM/ton	CFM/ton	CFM/ton	CFM/ton	CFM/ton	Watts	Watts	168	219	277	355	410
	1364 / 1426	1375 / 1334	1393 / 1253	1340 / 1179	1330 / 1110	450	290	350	400	450	290	350	400	CFM	Watts	1364	1375	1393	1340	1330
3.5 tons	230 / 287	286 / 317	350 / 339	429 / 355	480 / 367	CFM/ton	CFM/ton	CFM/ton	CFM/ton	CFM/ton	CFM/ton	CFM/ton	CFM/ton	Watts	Watts	230	286	350	429	480
	1022 / 1123	1031 / 1012	1050 / 917	1030 / 832	1030 / 756	290	350	400	450	290	350	400	450	CFM	Watts	1022	1031	1050	1030	1030
	113 / 148	158 / 172	209 / 188	275 / 201	325 / 213	CFM/ton	CFM/ton	CFM/ton	CFM/ton	CFM/ton	CFM/ton	CFM/ton	CFM/ton	Watts	Watts	113	158	209	275	325
	1235 / 1312	1249 / 1214	1242 / 1128	1230 / 1050	1220 / 978	350	400	450	290	350	400	450	290	CFM	Watts	1235	1249	1242	1230	1220
	178 / 227	229 / 254	288 / 274	367 / 288	420 / 299	CFM/ton	CFM/ton	CFM/ton	CFM/ton	CFM/ton	CFM/ton	CFM/ton	CFM/ton	Watts	Watts	178	229	288	367	420
4 tons †	1416 / 1471	1424 / 1383	1399 / 1303	1380 / 1230	1370 / 1163	400	450	290	350	400	450	290	350	CFM	Watts	1416	1424	1399	1380	1370
	254 / 314	313 / 263	378 / 368	455 / 385	510 / 398	CFM/ton	CFM/ton	CFM/ton	CFM/ton	CFM/ton	CFM/ton	CFM/ton	CFM/ton	Watts	Watts	254	313	378	455	510
	1601 / 1618	1591 / 1536	1547 / 1462	1500 / 1394	1390 / 1330	450	290	350	400	450	290	350	400	CFM	Watts	1601	1591	1547	1500	1390
	356 / 420	423 / 454	497 / 480	553 / 500	520 / 514	CFM/ton	CFM/ton	CFM/ton	CFM/ton	CFM/ton	CFM/ton	CFM/ton	CFM/ton	Watts	Watts	356	423	497	553	520
	1168 / 1276	1182 / 1175	1182 / 1087	1170 / 1007	1160 / 935	290	350	400	450	290	350	400	450	CFM	Watts	1168	1182	1182	1170	1160
4 tons †	155 / 209	204 / 235	260 / 254	337 / 268	390 / 279	CFM/ton	CFM/ton	CFM/ton	CFM/ton	CFM/ton	CFM/ton	CFM/ton	CFM/ton	Watts	Watts	155	204	260	337	390
	1416 / 1492	1424 / 1404	1399 / 1325	1380 / 1252	1370 / 1185	350 †	400	450	290	350 †	400	450	290	CFM	Watts	1416	1424	1399	1380	1370
	254 / 326	313 / 357	378 / 381	455 / 398	510 / 411	CFM/ton	CFM/ton	CFM/ton	CFM/ton	CFM/ton	CFM/ton	CFM/ton	CFM/ton	Watts	Watts	254	313	378	455	510
	1628 / 1616	1614 / 1535	1534 / 1461	1500 / 1393	1390 / 1329	400	450	290	350	400	450	290	350	CFM	Watts	1628	1614	1534	1500	1390
	373 / 435	441 / 468	517 / 492	568 / 510	520 / 524	CFM/ton	CFM/ton	CFM/ton	CFM/ton	CFM/ton	CFM/ton	CFM/ton	CFM/ton	Watts	Watts	373	441	517	568	520
4 tons †	1714 / 1605	1686 / 1525	1550 / 1452	1500 / 1385	1390 / 1321	450	290	350	400	450	290	350	400	CFM	Watts	1714	1686	1550	1500	1390
	431 / 435	505 / 468	584 / 492	617 / 510	520 / 570	CFM/ton	CFM/ton	CFM/ton	CFM/ton	CFM/ton	CFM/ton	CFM/ton	CFM/ton	Watts	Watts	431	505	584	617	520

- † Factory Setting
- Status LED will blink once per 100 CFM requested. In torque mode, actual airflow may be lower.
- In communicating mode, default CFM/Ton is 400.
- Torque mode will reduce airflow when static is above approximately 0.3" water column.
- All heating modes default to Constant CFM.
- Cooling airflow values are with wet coil, no filter

Performance and Electrical Data

OUTDOOR MULTIPLIER (TONS)	TEM8A0C48V41DB & TEM8A0C60V51DB AIRFLOW PERFORMANCE (Constant CFM / Constant Torque)										CONSTANT CFM MODE / CONSTANT TORQUE MODE									
	EXTERNAL STATIC PRESSURE (Constant CFM / Constant Torque)					AIRFLOW POWER	COOLING AIRFLOW SETTING	AIRFLOW POWER	HEATING AIRFLOW SETTING	AIRFLOW POWER	EXTERNAL STATIC PRESSURE									
	0.1	0.3	0.5	0.7	0.9						0.1	0.3	0.5	0.7	0.9					
3 tons	864 / 1015	856 / 883	851 / 772	850 / 676	820 / 590	CFM	290	CFM	290	CFM	864	856	851	843	822					
	80 / 96	119 / 121	170 / 141	217 / 160	276 / 182	Watts	CFM/ton	Watts	CFM/ton	Watts	76	119	168	219	276					
	1037 / 1179	1037 / 1059	1040 / 957	1030 / 866	1030 / 784	CFM	350	CFM	350	CFM	1037	1037	1040	1039	1032					
	120 / 137	170 / 164	224 / 185	265 / 204	334 / 221	Watts	CFM/ton	Watts	CFM/ton	Watts	110	158	213	271	334					
	1184 / 1317	1187 / 1207	1193 / 1110	1180 / 1024	1190 / 945	CFM	400	CFM	400	CFM	1184	1187	1193	1196	1197					
3.5 tons	160 / 180	215 / 209	275 / 233	325 / 251	380 / 268	Watts	CFM/ton	Watts	CFM/ton	Watts	149	200	260	324	393					
	1334 / 1457	1336 / 1354	1343 / 1263	1340 / 1181	1340 / 1105	CFM	450	CFM	450	CFM	1334	1336	1343	1348	1353					
	205 / 232	265 / 265	335 / 290	395 / 310	460 / 327	Watts	CFM/ton	Watts	CFM/ton	Watts	198	254	318	388	461					
	1015 / 1147	1000 / 1025	1000 / 921	1000 / 829	1000 / 746	CFM	290	CFM	290	CFM	1003	1002	1004	1002	992					
	115 / 128	160 / 155	205 / 176	255 / 194	309 / 212	Watts	CFM/ton	Watts	CFM/ton	Watts	103	149	203	260	322					
4 tons	1210 / 1341	1210 / 1231	1210 / 1136	1210 / 1050	1210 / 971	CFM	350	CFM	350	CFM	1209	1212	1218	1222	1224					
	165 / 188	220 / 218	280 / 241	335 / 260	395 / 277	Watts	CFM/ton	Watts	CFM/ton	Watts	157	208	269	334	403					
	1380 / 1503	1380 / 1403	1390 / 1314	1390 / 1233	1390 / 1159	CFM	400	CFM	400	CFM	1384	1386	1393	1397	1402					
	195 / 252	285 / 286	355 / 312	420 / 332	485 / 349	Watts	CFM/ton	Watts	CFM/ton	Watts	217	275	340	412	487					
	1560 / 1667	1560 / 1575	1570 / 1492	1570 / 1416	1579 / 1345	CFM	450	CFM	450	CFM	1563	1563	1566	1566	1564					
5 tons †	295 / 332	365 / 369	440 / 398	515 / 421	595 / 439	Watts	CFM/ton	Watts	CFM/ton	Watts	293	362	429	507	588					
	1140 / 1304	1140 / 1192	1140 / 1095	1140 / 1008	1150 / 929	CFM	290	CFM	290	CFM	1144	1147	1152	1155	1154					
	145 / 175	200 / 204	255 / 227	310 / 246	365 / 263	Watts	CFM/ton	Watts	CFM/ton	Watts	138	188	247	309	376					
	1380 / 1525	1380 / 1426	1390 / 1338	1390 / 1257	1390 / 1183	CFM	350	CFM	350	CFM	1384	1386	1393	1397	1402					
	220 / 262	285 / 295	355 / 322	420 / 343	485 / 360	Watts	CFM/ton	Watts	CFM/ton	Watts	217	275	340	412	487					
5 tons †	1590 / 1711	1590 / 1621	1590 / 1539	1590 / 1464	1600 / 1394	CFM	400	CFM	400	CFM	1589	1588	1591	1589	1585					
	305 / 356	380 / 267	455 / 356	535 / 267	610 / 466	Watts	CFM/ton	Watts	CFM/ton	Watts	305	376	444	522	604					
	1790 / 1898	1790 / 1816	1800 / 1741	1800 / 1670	1810 / 1604	CFM	450	CFM	450	CFM	1800	1794	1791	1773	1745					
	410 / 474	495 / 597	585 / 548	670 / 575	760 / 597	Watts	CFM/ton	Watts	CFM/ton	Watts	419	509	575	660	749					
	1430 / 1571	1440 / 1475	1440 / 1388	1440 / 1309	1440 / 1236	CFM	290	CFM	290	CFM	1435	1436	1442	1446	1450					
5 tons †	240 / 283	310 / 318	375 / 345	445 / 367	515 / 384	Watts	CFM/ton	Watts	CFM/ton	Watts	237	297	364	437	514					
	1740 / 1851	1740 / 1767	1750 / 1690	1750 / 1619	1760 / 1552	CFM	350 †	CFM	350 †	CFM	1747	1742	1740	1728	1707					
	380 / 442	465 / 482	550 / 514	635 / 541	720 / 562	Watts	CFM/ton	Watts	CFM/ton	Watts	388	472	539	623	710					
	2000 / 2087	2000 / 2012	2010 / 1942	1980 / 1873	1870 / 317	CFM	400	CFM	400	CFM	2015	2007	1995	1951	1877					
	540 / 619	635 / 663	735 / 700	810 / 729	810 / 378	Watts	CFM/ton	Watts	CFM/ton	Watts	559	679	739	810	810					
5 tons †	2260 / 2141	2210 / 2068	2100 / 1999	1980 / 903	1870 / 315	CFM	450	CFM	450	CFM	2125	2117	2100	2038	1932					
	745 / 686	810 / 729	810 / 766	810 / 359	810 / 405	Watts	CFM/ton	Watts	CFM/ton	Watts	641	779	810	810	810					

- † Factory Setting
- Status LED will blink once per 100 CFM requested. In torque mode, actual airflow may be lower.
- In communicating mode, default CFM/Ton is 400.
- Torque mode will reduce airflow when static is above approximately 0.3" water column.
- All heating modes default to Constant CFM.
- Cooling airflow values are with wet coil, no filter.

Performance and Electrical Data

OUTDOOR MULTIPLIER (TONS)	TEM8A0D48V41DB & TEM8A0D60V51DB AIRFLOW PERFORMANCE (Constant CFM / Constant Torque)										CONSTANT CFM MODE / CONSTANT TORQUE MODE									
	EXTERNAL STATIC PRESSURE (Constant CFM / Constant Torque)					AIRFLOW POWER	COOLING AIRFLOW SETTING	AIRFLOW POWER	HEATING AIRFLOW SETTING	AIRFLOW POWER	EXTERNAL STATIC PRESSURE									
	0.1	0.3	0.5	0.7	0.9						0.1	0.3	0.5	0.7	0.9					
3 tons	290 CFM/ton	859 / 1010	880 / 880	868 / 771	862 / 675	857 / 588	290 CFM	859	880	868	862	857	290 CFM	859	880	868	862	857		
	350 CFM/ton	1042 / 1173	1058 / 1056	1054 / 955	1053 / 864	1047 / 782	350 CFM	1042	1058	1054	1053	1047	350 CFM	1042	1058	1054	1053	1047		
	400 CFM/ton	1214 / 1310	1215 / 1202	1222 / 1107	1225 / 1022	1215 / 943	400 CFM	1214	1215	1222	1225	1215	400 CFM	1214	1215	1222	1225	1215		
	450 CFM/ton	1350 / 1448	1338 / 1349	1360 / 1260	1363 / 1178	1361 / 1103	450 CFM	1350	1338	1360	1363	1361	450 CFM	1350	1338	1360	1363	1361		
	290 CFM/ton	1007 / 1141	1024 / 1022	1018 / 919	1017 / 827	1010 / 744	290 CFM	1007	1024	1018	1017	1010	290 CFM	1007	1024	1018	1017	1010		
3.5 tons	350 CFM/ton	1222 / 1333	1225 / 1227	1232 / 1133	1235 / 1048	1230 / 970	350 CFM	1222	1225	1232	1235	1230	350 CFM	1222	1225	1232	1235	1230		
	400 CFM/ton	1421 / 1495	1429 / 1398	1430 / 1310	1437 / 1231	1451 / 1157	400 CFM	1421	1429	1430	1437	1451	400 CFM	1421	1429	1430	1437	1451		
	450 CFM/ton	1583 / 1657	1519 / 1569	1592 / 1488	1588 / 1413	1586 / 1343	450 CFM	1583	1519	1592	1588	1586	450 CFM	1583	1519	1592	1588	1586		
	290 CFM/ton	1155 / 1297	1164 / 1188	1166 / 1092	1168 / 1006	1162 / 927	290 CFM	1155	1164	1166	1168	1162	290 CFM	1155	1164	1166	1168	1162		
	350 CFM/ton	1431 / 1516	1421 / 1420	1408 / 1334	1402 / 1255	1408 / 1181	350 CFM	1431	1421	1408	1402	1408	350 CFM	1431	1421	1408	1402	1408		
4 tons	400 CFM/ton	1635 / 1700	1625 / 1614	1617 / 1534	1610 / 1461	1592 / 1392	400 CFM	1635	1625	1617	1610	1592	400 CFM	1635	1625	1617	1610	1592		
	450 CFM/ton	1818 / 1886	1829 / 1808	1815 / 1734	1787 / 1666	1760 / 1602	450 CFM	1818	1815	1815	1787	1760	450 CFM	1818	1815	1815	1787	1760		
	290 CFM/ton	1155 / 1297	1164 / 1188	1166 / 1092	1168 / 1006	1162 / 927	290 CFM	1155	1164	1166	1168	1162	290 CFM	1155	1164	1166	1168	1162		
	350 CFM/ton	1431 / 1516	1421 / 1420	1408 / 1334	1402 / 1255	1408 / 1181	350 CFM	1431	1421	1408	1402	1408	350 CFM	1431	1421	1408	1402	1408		
	400 CFM/ton	1635 / 1700	1625 / 1614	1617 / 1534	1610 / 1461	1592 / 1392	400 CFM	1635	1625	1617	1610	1592	400 CFM	1635	1625	1617	1610	1592		
5 tons †	450 CFM/ton	1453 / 1562	1466 / 1468	1463 / 1384	1465 / 1306	1464 / 1234	450 CFM	1453	1463	1465	1464	1464	450 CFM	1453	1463	1465	1464	1464		
	290 CFM/ton	1007 / 1141	1024 / 1022	1018 / 919	1017 / 827	1010 / 744	290 CFM	1007	1024	1018	1017	1010	290 CFM	1007	1024	1018	1017	1010		
	350 CFM/ton	1222 / 1333	1225 / 1227	1232 / 1133	1235 / 1048	1230 / 970	350 CFM	1222	1225	1232	1235	1230	350 CFM	1222	1225	1232	1235	1230		
	400 CFM/ton	1421 / 1495	1429 / 1398	1430 / 1310	1437 / 1231	1451 / 1157	400 CFM	1421	1429	1430	1437	1451	400 CFM	1421	1429	1430	1437	1451		
	450 CFM/ton	1583 / 1657	1519 / 1569	1592 / 1488	1588 / 1413	1586 / 1343	450 CFM	1583	1519	1592	1588	1586	450 CFM	1583	1519	1592	1588	1586		

- † Factory Setting
- Status LED will blink once per 100 CFM requested. In torque mode, actual airflow may be lower.
- In communicating mode, default CFM/Ton is 400.
- Torque mode will reduce airflow when static is above approximately 0.3" water column.
- All heating modes default to Constant CFM.
- Cooling airflow values are with wet coil, no filter

Performance and Electrical Data

Note: Heater size needs to be set in Configuration Menu.

Table 1. Electrical Data

TEM8A0B24V21DB HEATER DATA											
Heater Model No.	No. of Circuits/ Phases	240 Volt					208 Volt				
		Capacity		Heater Amps per Circuit	Minimum Circuit Ampacity	Maximum Overload Protection	Capacity		Heater Amps per Circuit	Minimum Circuit Ampacity	Maximum Overload Protection
		kW	BTUH				kW	BTUH			
No Heater				2.8 *	4	15			2.8 *	4	15
BAYHTR1504BRK BAYHTR1504LUG	1/1	3.84	13100	16.0	24	25	2.88	9800	13.8	21	25
BAYHTR1505BRK BAYHTR1505LUG	1/1	4.80	16400	20.0	29	30	3.60	12300	17.3	25	25
BAYHTR1508BRK BAYHTR1508LUG	1/1	7.68	26200	32.0	44	45	5.76	19700	27.7	38	40
BAYHTR1510BRK BAYHTR1510LUG	1/1	9.60	32800	40.0	54	60	7.20	24600	34.6	47	50
BAYHTR1517BRK Circuit 1 ^(a)	2/1	9.60	32800	40.0	54	60	7.20	24600	34.6	47	50
BAYHTR1517BRK Circuit 2		4.80	16400	20.0	25	25	3.60	12300	17.3	22	25
BAYHTR3510LUG	1/3	9.60	32800	23.1	32	35	7.20	24600	20.0	28	30
BAYHTR3517LUG	1/3	14.40	49100	34.6	46	50	10.80	36900	30.0	41	45

* = Motor Amps

^(a) MCA and MOP for circuit 1 contains the motor amps

Table 2. Electrical Data

TEM8A0B30V31DB HEATER DATA											
Heater Model No.	No. of Circuits/ Phases	240 Volt					208 Volt				
		Capacity		Heater Amps per Circuit	Minimum Circuit Ampacity	Maximum Overload Protection	Capacity		Heater Amps per Circuit	Minimum Circuit Ampacity	Maximum Overload Protection
		kW	BTUH				kW	BTUH			
No Heater				3.9 *	5	15			3.9 *	5	15
BAYHTR1504BRK BAYHTR1504LUG	1/1	3.84	13100	16.0	25	25	2.88	9800	13.8	22	25
BAYHTR1505BRK BAYHTR1505LUG	1/1	4.80	16400	20.0	30	30	3.60	12300	17.3	27	30
BAYHTR1508BRK BAYHTR1508LUG	1/1	7.68	26200	32.0	45	45	5.76	19700	27.7	39	40
BAYHTR1510BRK BAYHTR1510LUG	1/1	9.60	32800	40.0	55	60	7.20	24600	34.6	48	50
BAYHTR1517BRK Circuit 1 ^(a)	2/1	9.60	32800	40.0	55	60	7.20	24600	34.6	48	50
BAYHTR1517BRK Circuit 2		4.80	16400	20.0	25	25	3.60	12300	17.3	22	25
BAYHTR3510LUG	1/3	9.60	32800	23.1	33	35	7.20	24600	20.0	29	30
BAYHTR3517LUG	1/3	14.40	49100	34.6	48	50	10.80	36900	30.0	42	45

* = Motor Amps

^(a) MCA and MOP for circuit 1 contains the motor amps

Performance and Electrical Data

Table 3. Electrical Data

TEM8A0C36V31DB, TEM8A0C42V41DB HEATER DATA											
Heater Model No.	No. of Circuits/ Phases	240 Volt					208 Volt				
		Capacity		Heater Amps per Circuit	Minimum Circuit Ampacity	Maximum Overload Protection	Capacity		Heater Amps per Circuit	Minimum Circuit Ampacity	Maximum Overload Protection
		kW	BTUH				kW	BTUH			
No Heater				3.9 *	5	15			3.9 *	5	15
BAYHTR1504BRK BAYHTR1504LUG	1/1	3.84	13100	16.0	25	25	2.88	9800	13.8	22	25
BAYHTR1505BRK BAYHTR1505LUG	1/1	4.80	16400	20.0	30	30	3.60	12300	17.3	27	30
BAYHTR1508BRK BAYHTR1508LUG	1/1	7.68	26200	32.0	45	45	5.76	19700	27.7	39	40
BAYHTR1510BRK BAYHTR1510LUG	1/1	9.60	32800	40.0	55	60	7.20	24600	34.6	48	50
BAYHTR1517BRK Circuit 1 ^(a)	2/1	9.60	32800	40.0	55	60	7.20	24600	34.6	48	50
BAYHTR1517BRK Circuit 2		4.80	16400	20.0	25	25	3.60	12300	17.3	22	25
BAYHTR1523BRK Circuit 1 ^(a)	2/1	9.60	32800	40.0	55	60	7.20	24600	34.6	48	50
BAYHTR1523BRK Circuit 2		9.60	32800	40.0	50	50	7.20	24600	34.6	43	45
BAYHTR3510LUG	1/3	9.60	32800	23.1	33	35	7.20	24600	20.0	29	30
BAYHTR3517LUG	1/3	14.40	49100	34.6	48	50	10.80	36900	30.0	42	45

* = Motor Amps

^(a) MCA and MOP for circuit 1 contains the motor amps

Performance and Electrical Data

Table 4. Electrical Data

TEM8A0C48V41DB, TEM8A0C60V51DB HEATER DATA											
Heater Model No.	No. of Circuits/ Phases	240 Volt					208 Volt				
		Capacity		Heater Amps per Circuit	Minimum Circuit Ampacity	Maximum Overload Protection	Capacity		Heater Amps per Circuit	Minimum Circuit Ampacity	Maximum Overload Protection
		kW	BTUH				kW	BTUH			
No Heater				5.7 *	7	15			5.7 *	7	15
BAYHTR1504BRK BAYHTR1504LUG	1/1	3.84	13100	16.0	27	30	2.88	9800	13.8	24	25
BAYHTR1505BRK BAYHTR1505LUG	1/1	4.80	16400	20.0	32	35	3.60	12300	17.3	29	30
BAYHTR1508BRK BAYHTR1508LUG	1/1	7.68	26200	32.0	47	50	5.76	19700	27.7	42	45
BAYHTR1510BRK BAYHTR1510LUG	1/1	9.60	32800	40.0	57	60	7.20	24600	34.6	50	50
BAYHTR1517BRK Circuit 1 (a)	2/1	9.60	32800	40.0	57	60	7.20	24600	34.6	50	50
BAYHTR1517BRK Circuit 2		4.80	16400	20.0	25	25	3.60	12300	17.3	22	25
BAYHTR1523BRK Circuit 1 (a)	2/1	9.60	32800	40.0	57	60	7.20	24600	34.6	50	50
BAYHTR1523BRK Circuit 2		9.60	32800	40.0	50	50	7.20	24600	34.6	43	45
BAYHTR1525BRK Circuit 1 (a)	4/1	6.00	20500	25.0	38	40	4.50	15400	21.6	34	35
BAYHTR1525BRK Circuit 2		6.00	20500	25.0	31	35	4.50	15400	21.6	27	30
BAYHTR1525BRK Circuit 3		6.00	20500	25.0	31	35	4.50	15400	21.6	27	30
BAYHTR1525BRK Circuit 4		6.00	20500	25.0	31	35	4.50	15400	21.6	27	30
BAYHTR3510LUG	1/3	9.60	32800	23.1	35	35	7.20	24600	20.0	31	35
BAYHTR3517LUG	1/3	14.40	49100	34.6	50	50	10.80	36900	30.0	44	45

* = Motor Amps

(a) MCA and MOP for circuit 1 contains the motor amps

Performance and Electrical Data

Table 5. Electrical Data

TEM8A0D48V41DB, TEM8A0D60V51DB HEATER DATA											
Heater Model No.	No. of Circuits/ Phases	240 Volt					208 Volt				
		Capacity		Heater Amps per Circuit	Minimum Circuit Ampacity	Maximum Overload Protection	Capacity		Heater Amps per Circuit	Minimum Circuit Ampacity	Maximum Overload Protection
		kW	BTUH				kW	BTUH			
No Heater				5.7 *	7	15			5.7 *	7	15
BAYHTR1504BRK BAYHTR1504LUG	1/1	3.84	13100	16.0	27	30	2.88	9800	13.8	24	25
BAYHTR1505BRK BAYHTR1505LUG	1/1	4.80	16400	20.0	32	35	3.60	12300	17.3	29	30
BAYHTR1508BRK BAYHTR1508LUG	1/1	7.68	26200	32.0	47	50	5.76	19700	27.7	42	45
BAYHTR1510BRK BAYHTR1510LUG	1/1	9.60	32800	40.0	57	60	7.20	24600	34.6	50	50
BAYHTR1517BRK Circuit 1 ^(a)	2/1	9.60	32800	40.0	57	60	7.20	24600	34.6	50	50
BAYHTR1517BRK Circuit 2		4.80	16400	20.0	25	25	3.60	12300	17.3	22	25
BAYHTR1523BRK Circuit 1 ^(a)	2/1	9.60	32800	40.0	57	60	7.20	24600	34.6	50	50
BAYHTR1523BRK Circuit 2		9.60	32800	40.0	50	50	7.20	24600	34.6	43	45
BAYHTR1525BRK Circuit 1 ^(a)	4/1	6.00	20500	25.0	38	40	4.50	15400	21.6	34	35
BAYHTR1525BRK Circuit 2		6.00	20500	25.0	31	35	4.50	15400	21.6	27	30
BAYHTR1525BRK Circuit 3		6.00	20500	25.0	31	35	4.50	15400	21.6	27	30
BAYHTR1525BRK Circuit 4		6.00	20500	25.0	31	35	4.50	15400	21.6	27	30
BAYHTR3510LUG	1/3	9.60	32800	23.1	35	35	7.20	24600	20.0	31	35
BAYHTR3517LUG	1/3	14.40	49100	34.6	50	50	10.80	36900	30.0	44	45

* = Motor Amps

^(a) MCA and MOP for circuit 1 contains the motor amps

Minimum Airflow CFM

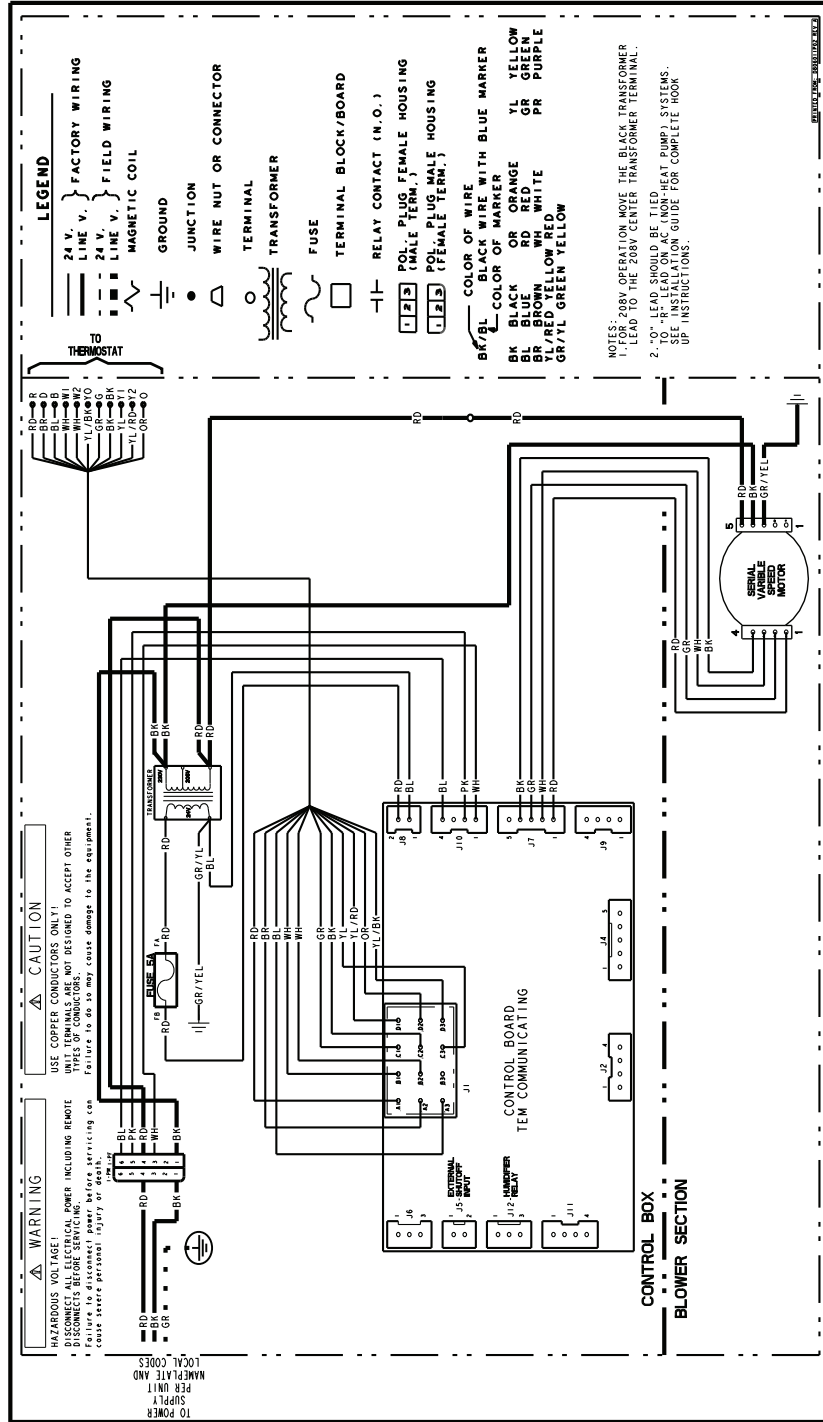
TEM8A0B24V21DB, TEM8A0B30V31DB		
Heater	Minimum Heater Airflow CFM	
	With Heat Pump	Without Heat Pump
BAYHTR1504BRK, BAYHTR1504LUG BAYHTR1505BRK, BAYHTR1505LUG	650	600
BAYHTR1508BRK, BAYHTR1508LUG	850	700
BAYHTR1510BRK, BAYHTR1510LUG	850	700
BAYHTR1517BRK	1000	850
BAYHTR3510LUG	850	700
BAYHTR3517LUG	1000	850

TEM8A0C36V31DB, TEM8A0C42V41DB		
Heater	Minimum Heater Airflow CFM	
	With Heat Pump	Without Heat Pump
BAYHTR1504BRK, BAYHTR1504LUG BAYHTR1505BRK, BAYHTR1505LUG	675	675
BAYHTR1508BRK, BAYHTR1508LUG	950	900
BAYHTR1510BRK, BAYHTR1510LUG	950	900
BAYHTR1517BRK	950	900
BAYHTR3510LUG	950	900
BAYHTR3517LUG	1050	950
BAYHTR1523BRK	1500	1300

TEM8A0C48V41DB, TEM8A0C60V51DB		
Heater	Minimum Heater Airflow CFM	
	With Heat Pump	Without Heat Pump
BAYHTR1504BRK, BAYHTR1504LUG BAYHTR1505BRK, BAYHTR1505LUG	900	800
BAYHTR1508BRK, BAYHTR1508LUG	1200	1000
BAYHTR1510BRK, BAYHTR1510LUG	1350	1000
BAYHTR1517BRK	1400	1100
BAYHTR3510LUG	1200	1000
BAYHTR3517LUG	1400	1100
BAYHTR1523BRK	1430	1300
BAYHTR1525BRK	1850	1600

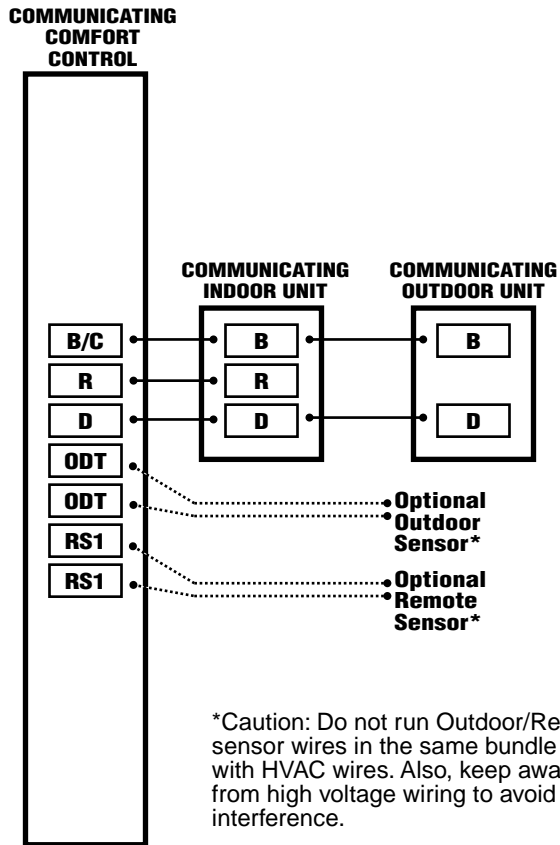
TEM8A0D48V41DB, TEM8A0D60V51DB		
Heater	Minimum Heater Airflow CFM	
	With Heat Pump	Without Heat Pump
BAYHTR1504BRK, BAYHTR1504LUG BAYHTR1505BRK, BAYHTR1505LUG	900	800
BAYHTR1508BRK, BAYHTR1508LUG	1200	1000
BAYHTR1510BRK, BAYHTR1510LUG	1200	1000
BAYHTR1517BRK	1400	1100
BAYHTR3510LUG	1200	1000
BAYHTR3517LUG	1400	1100
BAYHTR1523BRK	1400	1300
BAYHTR1525BRK	1600	1400

Wiring D806011P02revA for PD

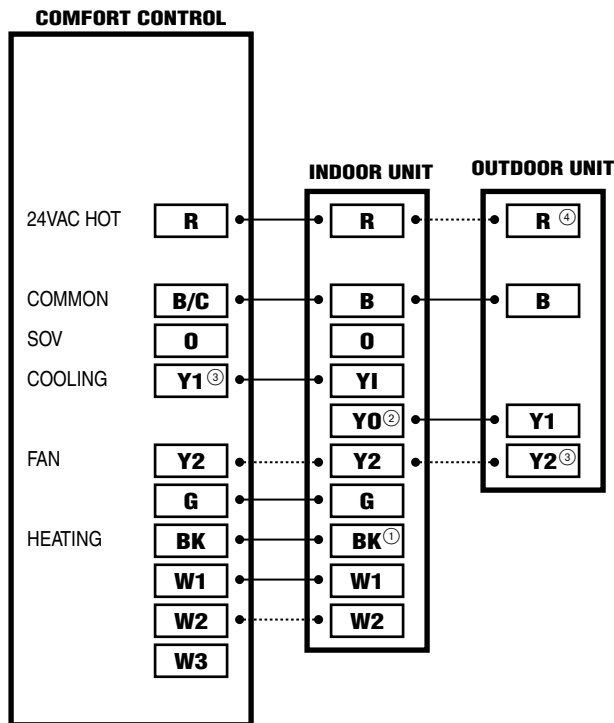


Field Wiring

Communicating Controls Wiring Diagram



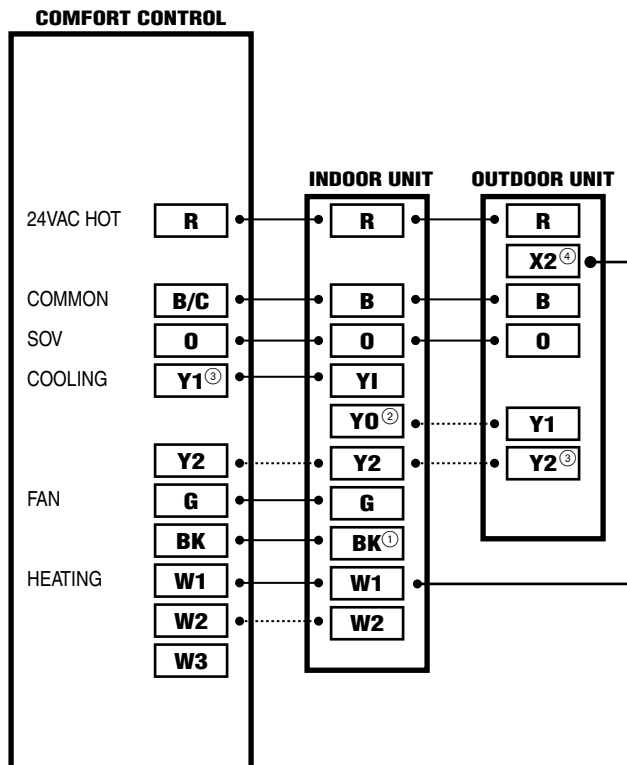
1 OR 2 STAGE COOLING WITH TEM8 MODEL VARIABLE SPEED AIR HANDLER



NOTES:

1. Cut the BK jumper on the AFC when using the BK functionality from the thermostat.
2. Y1 and Y0 connections must be made as shown for external switch functionality. (See table 5) Can be used for condensate overflow switch as well as other functions. Configure this functionality from the AFC seven segment display.
3. When using the BK feature from the comfort control, the Y1 & Y2 inputs to the AFC are for the seven segment display only. The BK feature has 100% control over air flow.
4. Y2 connections at outdoor unit are required only for two stage units.

1 OR 2 STAGE HEAT PUMP WITH TEM8 VARIABLE SPEED AIR HANDLER

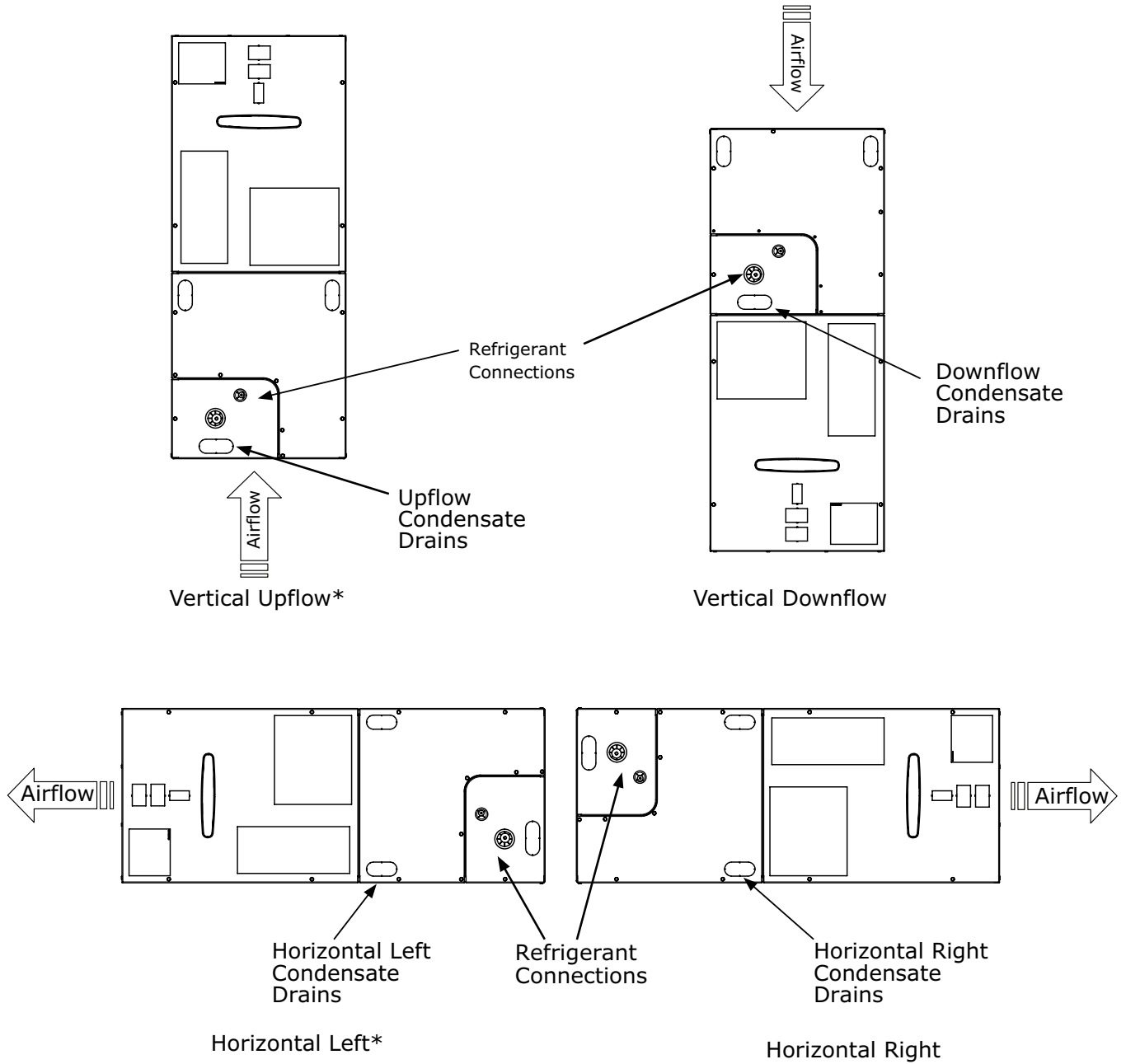


NOTES:

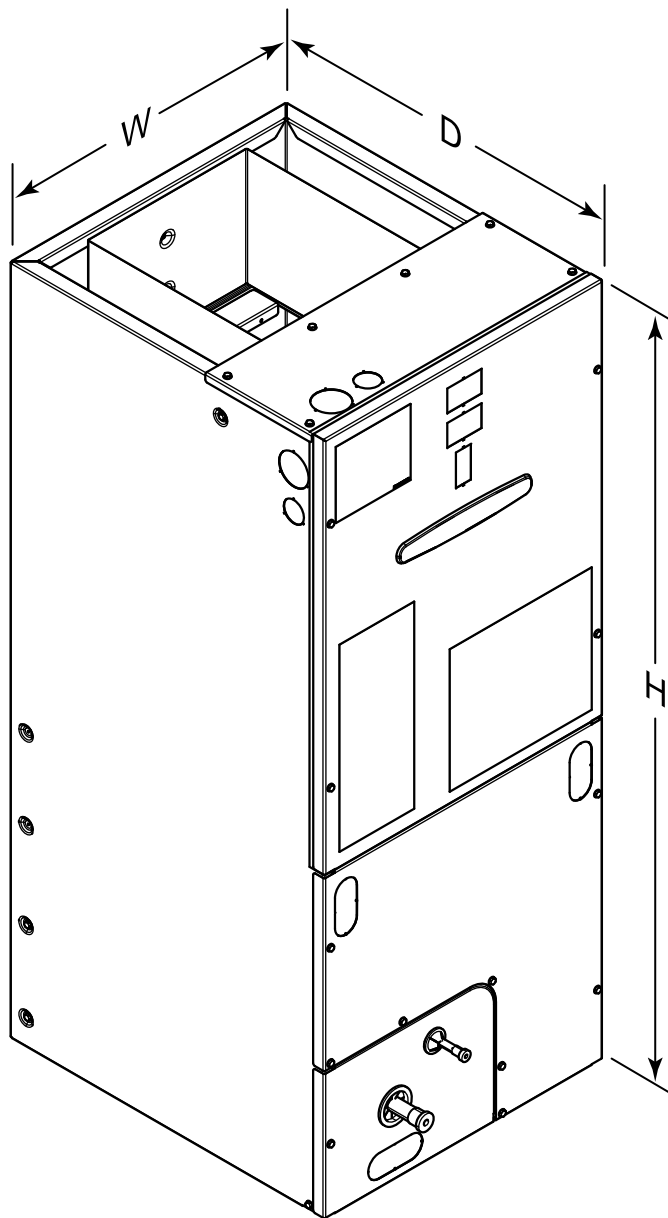
1. Cut the BK jumper on the AFC when using the BK functionality from the thermostat.
2. Y1 and Y0 connections must be made as shown for external switch functionality. (See table 5) Can be used for condensate overflow switch as well as other functions. Configure this functionality from the AFC seven segment display.
3. Connection to X2 is not required when using the 402, 624, 824, or relay panel controls.
4. When using the BK feature from the comfort control, the Y1 & Y2 inputs to the AFC are for the 7 segment display only. The BK feature has 100% control over air flow.

TEM Convertibility

Figure 1. Multi-Position Air Handler
* = No Internal Modifications Required.

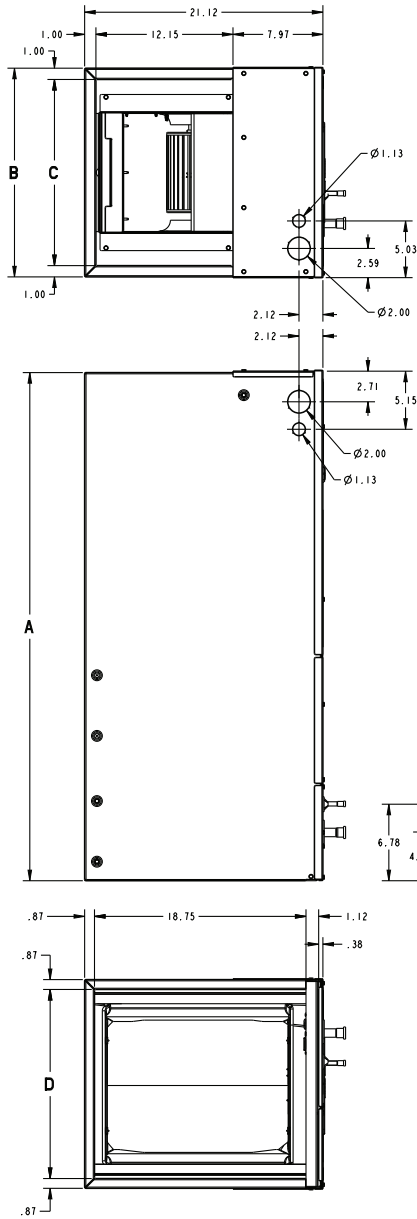


TEM8 Air Handler Dimensional Data



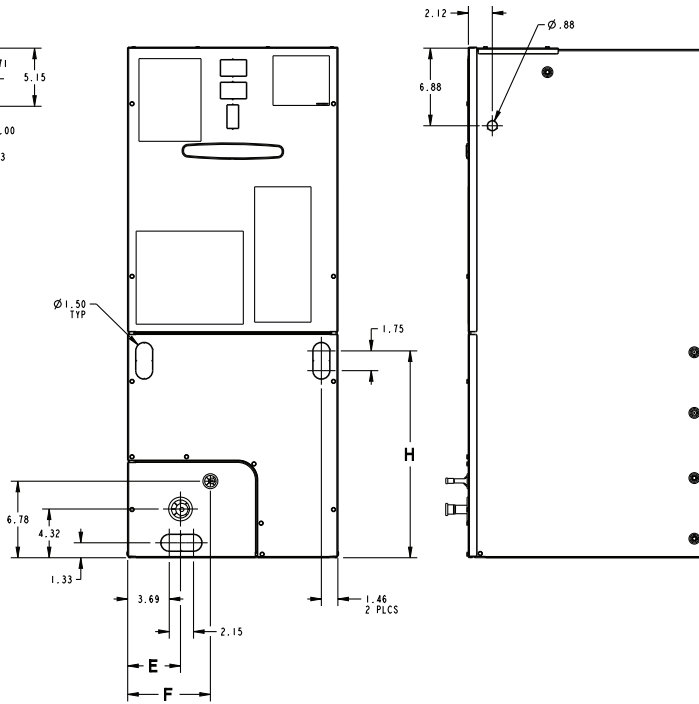
Model No.	H	W	D
TEM8A0B24V21DB	46.77	18.50	21.13
TEM8A0B30V31DB	46.77	18.50	21.13
TEM8A0C36V31DB	51.27	23.50	21.13
TEM8A0C42V41DB	51.27	23.50	21.13
TEM8A0C48V41DB	55.87	23.50	21.13
TEM8A0D48V41DB	53.87	26.50	21.13
TEM8A0C60V51DB	55.87	23.50	21.13
TEM8A0D60V51DB	53.87	26.50	21.13

Outline Drawing



MINIMUM UNIT CLEARANCE TABLE	
	SERVICE CLEARANCE (RECOMMENDED)
SIDES	2"
FRONT	21"
BACK	0"
INLET DUCT	1"
OUTLET DUCT	N/A

NOTE: THIS UNIT IS APPROVED FOR INSTALLATION CLEARANCES TO COMBUSTIBLE MATERIAL AS STATED ON THE UNIT RATING NAMEPLATE



PRODUCT DIMENSIONS									
Air Handler Model	A	B	C	D	E	F	H	Flow Control	Gas Line Braze
TEM8A0B24, 30	46.77	18.50	16.50	16.75	4.68	7.33	20.09	TXV	3/4
TEM8A0C36, 42	51.27	23.50	21.50	21.75	7.01	9.66	24.59	TXV	7/8
TEM8A0C48, 60	55.87	23.50	21.50	21.75	4.68	9.66	27.19	TXV	7/8
TEM8A0D48, 60	53.87	26.50	24.50	24.75	7.01	9.66	27.19	TXV	7/8

All dimensions are in inches



Ingersoll Rand (NYSE: IR) advances the quality of life by creating comfortable, sustainable and efficient environments. Our people and our family of brands — including Club Car®, Ingersoll Rand®, Thermo King® and Trane® — work together to enhance the quality and comfort of air in homes and buildings; transport and protect food and perishables; and increase industrial productivity and efficiency. We are a global business committed to a world of sustainable progress and enduring results.



ingersollrand.com



Ingersoll Rand has a policy of continuous product and product data improvements and reserves the right to change design and specifications without notice.
We are committed to using environmentally conscious print practices.