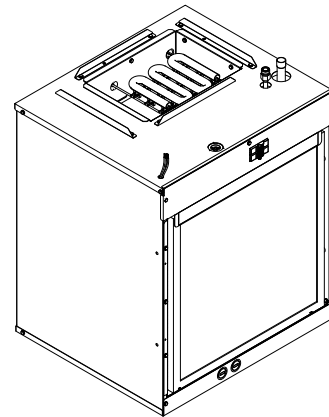


Submittal

Wall Mount Air Handlers 3 Tons With Factory Installed 10 KW Heater

HP models
GMV2AEB39101SA



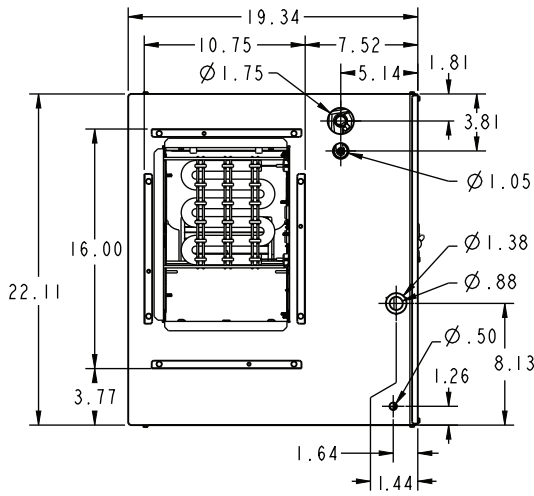
The GMU and GMV series air handlers are designed for wall mount or flush mount installations in a closet, utility room, alcove, or basement. These versatile units are applicable to air conditioning and heat pump applications. Several models are available to meet the specific requirements of the outdoor equipment. Electric resistance heaters are factory installed.

TAG: _____

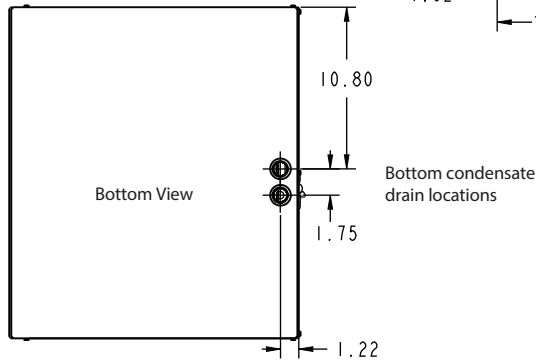
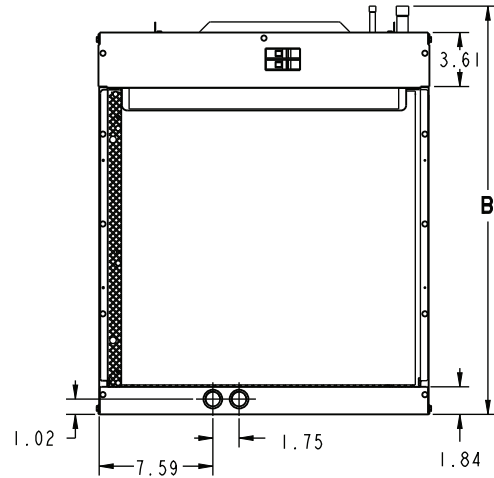
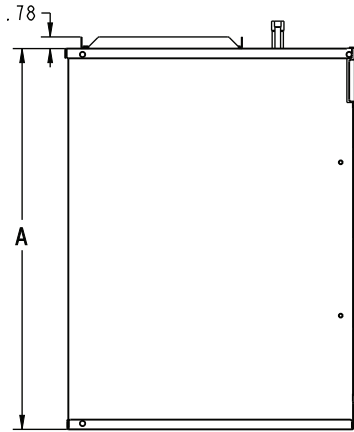
▲ SAFETY WARNING

Only qualified personnel should install and service the equipment. The installation, starting up, and servicing of heating, ventilating, and air-conditioning equipment can be hazardous and requires specific knowledge and training. Improperly installed, adjusted or altered equipment by an unqualified person could result in death or serious injury. When working on the equipment, observe all precautions in the literature and on the tags, stickers, and labels that are attached to the equipment.

Outline Drawing



Minimum Unit Clearance Table		
	To Combustible Material (Required)	Service Clearance (Recommended)
Sides	0"	0"
Front	0"	21"
Back	0"	0"
Outlet Duct & Plenum	0"	N/A
Condensate Piping Below Cabinet	N/A	3"
TXV/Orifice Above Unit	N/A	9"



PRODUCT DIMENSIONS					
Air Handler Model	A	B	Gas Line Braze	Liquid Line Braze	Filter Size
GMV2APB32081SA, GMV2AEB39101SA	29.43	31.26	3/4	3/8	20 x 24 x 1
All dimensions are in inches					

Performance and Electrical Data

GMV2AEB39101SA					
External Static (in w. g.)	Airflow				
	Speed Taps - 208-230 Volts				
	High	Med-High †	Med	Med-Low	Low
0.1	1110.7	1059.0	947.9	779.8	610.0
0.2	1085.2	1033.0	919.9	750.3	574.0
0.3	1059.7	1007.3	892.5	717.5	535.2
0.4	1034.1	981.8	865.6	681.6	493.7
0.5	1008.6	956.8	839.2	642.3	449.4
0.6	983.0	932.1	813.3	599.9	402.4
0.7	957.4	907.6	788.0	554.2	352.6

Note:

1. Shaded boxes represent airflow outside the required 300-450 CFM/ton
2. Values are wet coil, no filter
3. CFM correction for dry coil = Add 3%
4. † = Factory default setting

Model No.	Heater Model No.	Number of Circuits / Phases	Motor Amps	Minimum Blower Speed		240 Volt				
				Without Heat Pump	With Heat Pump	Capacity		Heater Amps per Circuit	Minimum Circuit Ampacity	Maximum Overload Protection
						kW	BTUH			
GMV2AEB39101SA	BAYHTRG610BRK	2/1	2.90	Low	M-L	9.6	32800	40	54	60
Model No.	Heater Model No.	Number of Circuits / Phases	Motor Amps	Minimum Blower Speed		208 Volt				
				Without Heat Pump	With Heat Pump	Capacity		Heater Amps per Circuit	Minimum Circuit Ampacity	Maximum Overload Protection
						kW	BTUH			
GMV2AEB39101SA	BAYHTRG610BRK	2/1	2.90	Low	M-L	7.2	24600	34.6	47	50

Fixed Orifice Superheat Charging Table

Outdoor Dry Bulb Temperature (F)	Indoor Wet Bulb Temp (F)																												
	50	51	52	53	54	55	56	57	58	59	60	61	62	63	64	65	66	67	68	69	70	71	72	73	74	75	76	77	78
55	7	9	10	11	12	14	15	17	18	20	21	23	24	26	27	29	30												
60	5	7	8	9	10	12	13	15	16	18	19	21	22	24	25	27	28	30	31										
65			4	6	8	10	11	13	14	16	17	18	19	21	22	24	25	27	28	27	31								
70					5	7	8	10	11	13	14	16	17	18	19	21	22	24	25	27	28	30	31						
75							5	6	7	9	10	12	14	16	18	19	21	22	24	26	28	29	31	32					
80									4	6	7	9	10	11	12	14	16	18	19	21	23	25	26	28	29	31	33		
85											4	6	7	9	10	13	14	16	18	20	21	23	24	26	28	29	30	31	32
90													4	6	8	10	11	13	14	16	18	20	22	24	25	27	28	30	31
95															4	6	8	10	13	14	16	18	20	22	23	25	26	28	29
100																	6	8	10	12	13	16	18	20	21	23	25	27	29
105																	4	6	7	9	11	13	15	18	20	22	24	26	28
110																			4	7	9	11	13	16	18	21	23	26	28
115																					6	9	12	14	16	19	21	24	26

Using a digital psychrometer, measure the return air wet-bulb temperature at the unit just before the coil. Also measure the outdoor dry-bulb temperature. Use these temperatures to locate the target superheat on the charging table. Do not attempt to charge the system if these conditions fall outside of this charging table.
 ADD refrigerant to DECREASE total superheat. REMOVE refrigerant to INCREASE total superheat. Always allow 10 to 15 minutes of operation after any refrigerant or air flow change prior to determining the final superheat.

Product Specifications

MODEL	GMV2AEB39101SA
RATED VOLTS/PH/HZ	208-230/1/60
RATINGS	See O.D. Specifications
INDOOR COIL — TYPE	Plate Fin
Refrigerant Control	TXV
Drain Conn. Size. (in.)	3/4" NPT
FACTORY INSTALLED HEATER	10 KW
DUCT CONNECTION	10.75 x 16.00
INDOOR MOTOR — TYPE	CTM
Diameter-Width (in.)	10 — 6
No. Used	1
Drive — No. Speeds	Direct — 5
CFM vs. in.W.G.	See Airflow Table
No. Motors — HP	1 — 1/3
Motor Speed RPM	825
Volts/Ph/Hz	208-230/1/60
F.L. Amps	2.9
FILTER	
Filter Furnished?	Yes
Filter size (in.)	20 x 24 x 1
REFRIGERANT	R-410A
Ref. Line Connections	Brazed
Coupling or Conn Size — in. Gas	3/4
Coupling or Conn Size — in. Liq. ^(a)	3/8
DIMENSIONS	
Crated (in.)	33 x 22.5 x 20
Uncrated (in.)	29.43 x 22.11 x 19.34
WEIGHT	
Shipping / Net (lbs)	75 / 72

^(a) Includes a mechanical fitting with a 3/8" braze connection

Features

Table 1. Standard Features

- GALVANIZED STEEL EXTERIOR
- STURDY POLYCARBONATE DRAIN PAN
- 208/230 VAC OPERATION
- ECM MULTI-SPEED DIRECT DRIVE CTM BLOWER (GMU2AEB37101SA and GMV2AEB39101SA only)
- MULTI-SPEED DIRECT DRIVE PSC BLOWER
- FACTORY SUPPLIED R-410A THERMAL EXPANSION VALVE ON GMV MODELS
- ALL ALUMINUM COIL
- MEETS THE MINIMUM LEAKAGE REQUIREMENTS FOR THE FLORIDA AND CALIFORNIA BUILDING CODES
- FRONT RETURN
- Factory installed 5, 8, and 10 KW SINGLE PHASE ELECTRIC HEATERS
 - Circuit breakers on all heaters
- SUPPLY DUCT FLANGES

Table 2. Optional Accessories

- Use with all GMU2 and GMV2 models
- BAYTGM1WALLPNL — Wall Mount Panel Quantity 1
 - BAYTGM5WALLPNL — Wall Mount Panel Quantity 5
- Use with GMU2APB24051SA, GMU2APB24081SA, GMV2APB26051SA, GMV2APB26081SA models
- BAYFRT5LVPNL26A — Louver Panel Quantity 5
 - BAYFRT1LVPNL26A — Louver Panel Quantity 1
- Use with GMU2APB30081SA, GMU2AEB37101SA, GMV2APB32081SA, GMV2AEB39101SA models
- BAYFRT5LVPNL30A — Louver Panel Quantity 5
 - BAYFRT1LVPNL30A — Louver Panel Quantity 1

Table 3. Optional Orifice Kits

Outdoor Unit Capacity (Tons)	Orifice Size (R410A or R22)	Orifice Kit Number
1.5	0.049	BAYORIACH-P0049A
2.0	0.057	BAYORIACH-P0057A
2.5	0.061	BAYORIACH-P0061A
3.0	0.067	BAYORIACH-P0067A



Ingersoll Rand (NYSE: IR) advances the quality of life by creating comfortable, sustainable and efficient environments. Our people and our family of brands — including Club Car®, Ingersoll Rand®, Thermo King® and Trane® — work together to enhance the quality and comfort of air in homes and buildings; transport and protect food and perishables; and increase industrial productivity and efficiency. We are a global business committed to a world of sustainable progress and enduring results.



ingersollrand.com



Ingersoll Rand has a policy of continuous product and product data improvements and reserves the right to change design and specifications without notice.
We are committed to using environmentally conscious print practices.

GMV2AEB3910-SUB-1A-EN 04 Oct 2018
Supersedes (New)

©2018 Ingersoll Rand