



Installer's Guide

Variable Speed, 2-Stage Communicating or 24V Upflow/Horizontal and Downflow/Horizontal, Gas-Fired Furnaces, "Fan Assisted Combustion System"

- | | | |
|----------------|----------------|----------------|
| *UD2B060ACV32B | *UD2C100ACV52B | *DD2B060ACV32B |
| *UD2B080ACV32B | *UD2D120ACV52B | *DD2B080ACV32B |
| *UD2C080ACV42B | *UD2D140ACV52B | *DD2C100ACV52B |
| *UD2B100ACV32B | | *DD2D120ACV52B |

* First letter may be "A" or "T"

ALL phases of this installation must comply with NATIONAL, STATE AND LOCAL CODES

IMPORTANT— This Document is **customer property** and is to remain with this unit. Please return to service information pack upon completion of work.

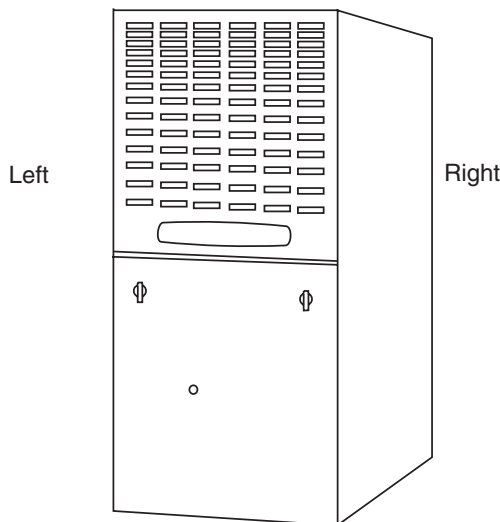
For VENT SIZING INFORMATION see:

USA —
National Fuel Gas Code ANSI Z223.1/NFPA 54 (latest version)

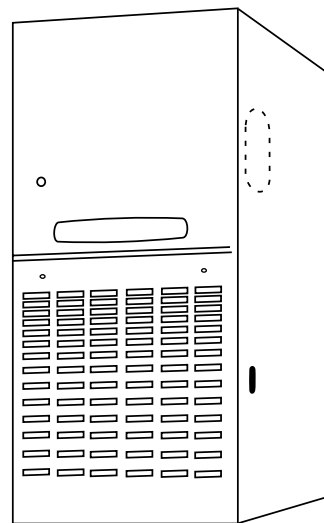
CANADA —
Natural Gas Installation Code CAN/CGA-B149.1 (latest version)
Propane Installation Code CAN/CGA-B149.2 (latest version)

USA/CANADA ALTERNATE —
Category I Venting Guide Pub. No. 18-CH23D1 (latest version)

***UD2-ACV**
Upflow/Horizontal ①



***DD2-ACV**
Downflow/Horizontal ②



① Horizontal Conversion for these furnaces may be left or right side rotation.

② Horizontal Conversion for these furnaces may be left or right side rotation (Important: See venting applications, page 8).

Installer's Guide

Safety signal words are used to designate a degree or level of seriousness associated with a particular hazard. The signal words for safety markings are **WARNING** and **CAUTION**.

- a. **WARNING** indicates a potentially hazardous situation which, if not avoided, could result in death or serious injury.
- b. **CAUTION** indicates a potentially hazardous situation which, if not avoided, may result in minor or moderate injury. It is also used to alert against unsafe practices and hazards involving only property damage.

WARNING

CARBON MONOXIDE POISONING HAZARD

Failure to follow the steps outlined below for each appliance connected to the venting system being placed into operation could result in carbon monoxide poisoning or death.

The following steps shall be followed for each appliance connected to the venting system being placed into operation, while all other appliances connected to the venting system are not in operation:

1. Seal any unused openings in the venting system.
2. Inspect the venting system for proper size and horizontal pitch, as required in the National Fuel Gas Code, ANSI Z223.1/NFPA 54 or the CAN/CGA B149 Installation Codes and these instructions. Determine that there is no blockage or restriction, leakage, corrosion and other deficiencies which could cause an unsafe condition.
3. As far as practical, close all building doors and windows and all doors between the space in which the appliance(s) connected to the venting system are located and other deficiencies which could cause an unsafe condition.
4. Close fireplace dampers.
5. Turn on clothes dryers and any appliance not connected to the venting system. Turn on any exhaust fans, such as range hoods and bathroom exhausts, so they are operating at maximum speed. Do not operate a summer exhaust fan.
6. Follow the lighting instructions. Place the appliance being inspected into operation. Adjust the thermostat so appliance is operating continuously.
7. If improper venting is observed during any of the above tests, the venting system must be corrected in accordance with the National Fuel Gas Code, ANSI Z221.1/NFPA 54 and/or CAN/CGA B149 Installation Codes.
8. After it has been determined that each appliance connected to the venting system properly vents where tested as outlined above, return doors, windows, exhaust fans, fireplace dampers and any other gas-fired burning appliance to their previous conditions of use.

The following warning complies with State of California law, Proposition 65.

WARNING

Hazardous Gases!

Exposure to fuel substances or by-products of incomplete fuel combustion is believed by the state of California to cause cancer, birth defects, or other reproductive harm.

WARNING

Failure to follow safety warnings exactly, could result in a fire or explosion causing property damage, personal injury or loss of life.

— **Do not store or use gasoline or other flammable vapors and liquids in the vicinity of this or any other appliance.**

— **WHAT TO DO IF YOU SMELL GAS**

- Do not try to light any appliance.
- Do not touch any electrical switch; do not use any phone in your building.
- Immediately call your gas supplier from a neighbor's phone. Follow the gas supplier's instructions.
- If you cannot reach your gas supplier, call the fire department.

— **Installation and service must be performed by a qualified installer, service agency or the gas supplier.**

WARNING

EXPLOSION HAZARD

Propane gas is heavier than air and may collect in any low areas or confined spaces. In addition, odorant fade may make the gas undetectable except with a warning device. If the gas furnace is installed in a basement, an excavated area or a confined space, it is strongly recommended to contact a gas supplier to install a gas detection warning device in case of a gas leak. Failure to follow this warning could result in property damage, personal injury or death.

***NOTE:** The manufacturer of your furnace does NOT test any detectors and makes no representations regarding any brand or type of detector.*

WARNING

SAFETY HAZARD

This information is intended for use by individuals possessing adequate backgrounds of electrical and mechanical experience. Any attempt to repair a central air conditioning product may result in property damage, personal injury, or death. The manufacturer or seller cannot be responsible for the interpretation of this information, nor can it assume any liability in connection with its use. Failure to follow this warning could result in property damage, personal injury or death.

CAUTION

Sharp Edge Hazard. Be careful of sharp edges on equipment or any cuts made on sheet metal while installing or servicing. Personal injury may result.

Contents

Safety Section	2
Installation Instructions	4
General Installation Instructions	4
Location and Clearances	4
Outline Drawing	5-6
Upflow Installation	7
Downflow Installation	7
Horizontal Installation	7
Air for Combustion and Ventilation	9
Duct Connections	10
Return Air Filters	12
General Venting Instructions	15
Venting into a Masonry Chimney	15
Electrical Connections	17
Field Wiring Diagrams	17-20
Gas Piping	22
Combustion and Input Check	22
Gas Valve Adjustment	23
High Altitude Derate	24
Start Up and Adjustment	25
Preliminary Inspections	25
Lighting Instructions	25
User Interface menu - Communicating Mode	27
User Interface menu - 24 VAC Mode	28
Sequence Of Operation	29
Control and Safety Switch Adjustment	32
Conditions Affecting Furnace Operation	33
Furnace Alert Codes	35

⚠ WARNING

EXPLOSION HAZARD
NEVER USE AN OPEN FLAME TO DETECT GAS LEAKS. EXPLOSIVE CONDITIONS MAY OCCUR. USE A LEAK TEST SOLUTION OR OTHER APPROVED METHODS FOR LEAK TESTING. FAILURE TO FOLLOW THIS WARNING COULD RESULT IN PROPERTY DAMAGE, PERSONAL INJURY OR DEATH.

⚠ CAUTION

To prevent shortening its service life, the Furnace should NOT be used as a "Construction Heater" during the finishing phases of construction until the requirements listed in item 9, a-i of the safety section of this publication have been met. Condensate in the presence of chlorides and fluorides from paint, varnish, stains, adhesives, cleaning compounds, and cement create a corrosive condition which may cause rapid deterioration of the heat exchanger.

⚠ WARNING

SAFETY HAZARD
DO NOT USE SEMI-RIGID METALLIC GAS CONNECTORS (flexible GAS lines) within the Furnace cabinet. Failure to follow this warning could result in property damage, personal injury or death.

⚠ CAUTION

Do not install the furnace in a corrosive or contaminated atmosphere.

⚠ WARNING

SAFETY HAZARD
Do not install the furnace directly on carpeting, tile or other combustible material other than wood flooring. For vertical downflow application, subbase (BAY-BASE205) must be used between the furnace and combustible flooring. When the downflow furnace is installed vertically with a cased coil, a subbase is not required. Failure to follow this warning could result in property damage, personal injury or death.

⚠ CAUTION

LABELING WIRES!
Label all wires prior to disconnection when servicing controls. Wiring errors can cause improper and dangerous operation. Verify Proper Operation after servicing.

The following safety practices and precautions must be followed during the installation, servicing, and operation of this furnace.

1. Use only with the type of gas approved for this furnace. Refer to the furnace rating plate.
2. Install this furnace only in a location and position as specified in "Location and Clearances" (page 4), of these instructions.
3. Provide adequate combustion and ventilation air to the furnace space as specified in "Air for Combustion and Ventilation" (pages 9), of these instructions.

4. Combustion products must be discharged outdoors. Connect this furnace to an approved vent system only, as specified in the "Venting" section (pages 15-16), of these instructions.
5. Never test for gas leaks with an open flame. Use a commercially available soap solution made specifically for the detection of leaks to check all connections, as specified in "Gas Piping" (page 22) of these instructions.
6. Always install the furnace to operate within the furnace's intended temperature-rise range with a duct system which has an external static pressure within the allowable range, as specified on the unit rating plate. Airflow with temperature rise for cfm versus static is shown in the Service Facts accompanying this furnace.
7. When a furnace is installed so that supply ducts carry air circulated by the furnace to areas outside the space containing the furnace, the return air shall also be handled by a duct(s) sealed to the furnace casing and terminating outside the space containing the furnace.
8. A gas-fired furnace for installation in a residential garage must be installed as specified in "Location and Clearances" section (page 4) of these instructions.
9. The furnace may be used for temporary heating of buildings or structures under construction only when the following conditions have been met:
 - a. The furnace venting system must be complete and installed per manufacturer's instructions.

Installer's Guide

- b. The furnace is controlled only by a room thermostat (no field jumpers).
- c. The furnace return air duct must be complete and sealed to the furnace and clean air filters are in place.
- d. The furnace input rate and temperature rise must be verified to be within nameplate marking.
- e. **100% of the furnace combustion air requirement must come from outside the structure.**
- f. The furnace return air temperature range is between 55 and 80 degrees Fahrenheit.
- g. Clean the furnace, duct work, and components upon substantial completion of the construction process, and verify furnace operating conditions including ignition, input rate, temperature rise and venting, according to the manufacturer's instructions.

10. This product must be gas piped by a Licensed Plumber or Gas Fitter in the Commonwealth of Massachusetts.

WARNING

FIRE OR EXPLOSION HAZARD

Failure to follow the safety warnings exactly could result in serious injury, death or property damage. Improper servicing could result in dangerous operation, serious injury, death, or property damage.

GENERAL INSTALLATION INSTRUCTIONS

The manufacturer assumes no responsibility for equipment installed in violation of any code or regulation.

This furnace can be configured for Communicating or 24 VAC modes. Using fully Communicating or 24 VAC modes, the furnace can support single or multi stage heat pump, AC, or heating only applications. Combined with a communicating Comfort Control only, the furnace will support a single stage 24 VAC cooling outdoor unit only.

It is recommended that Manual J of the Air Conditioning Contractors Association (ACCA) or A.R.I. 230 be followed in estimating heating requirements. When estimating heating requirements for installation at Altitudes above 2000 ft., remember the gas input must be reduced (See GAS INPUT ADJUSTMENT).

Material in this shipment has been inspected at the factory and released to the transportation agency without known damage. Inspect exterior of carton for evidence of rough handling in shipment. Unpack carefully after moving equipment to approximate location. If damage to contents is found, report the damage immediately to the delivering agency.

Codes and local utility requirements governing the installation of gas

fired equipment, wiring, plumbing, and flue connections must be adhered to. In the absence of local codes, the installation must conform with latest edition of the National Fuel Gas Code ANSI Z223.1 • National Installation Code, CAN/CGA B149.1. The latest code may be obtained from the American Gas Association Laboratories, 400 N. Capitol St. NW, Washington D.C. 20001. 1-800-699-9277 or www.aga.org

These furnaces have been classified as Fan Assisted Combustion system CATEGORY I furnaces as required by ANSI Z21.47 "latest edition" and CAN/CGA 2.3. Therefore they do not require any special provisions for venting other than what is indicated in these instructions. (Category I defined on page 15).

WARNING

SAFETY HAZARD

These furnaces are not approved or intended for installation in manufactured (mobile) housing, trailers, or recreational vehicles. Failure to follow this warning could result in property damage, personal injury, or death.

LOCATION AND CLEARANCES

The location of the furnace is normally selected by the architect, the builder, or the installer. However, before the furnace is moved into place, be sure to consider the following requirements:

1. Is the location selected as near the chimney or vent and as centralized for heat distribution as practical?
2. Do all clearances between the furnace and enclosure equal or exceed the minimums stated in Clearance Table on the Outline Drawings.
3. Is there sufficient space for servicing the furnace and other equipment? A minimum of 24 inches front accessibility to the furnace must be provided. Any access door or panel must permit removal of the largest component.
4. Are there at least 3 inches of clearance between the furnace combustion air openings in the front panel and any closed panel or door provided?
5. Are the ventilation and combustion air openings large enough and will they remain unobstructed? If outside air is used, are the openings set above the highest snow accumulation level? (See the Air for Combustion and Ventilation section.)
6. Allow sufficient height in supply plenum above the furnace to provide for cooling coil installation, if the cooling coil is not installed at the time of this furnace installation.
7. A furnace shall be installed so electrical components are protected from water.
8. If the furnace is installed in a **residential garage**, it must be installed so that the burners, and the ignition source are located not less than 18 inches above the floor and the furnace must be located or protected to avoid physical damage from vehicles.

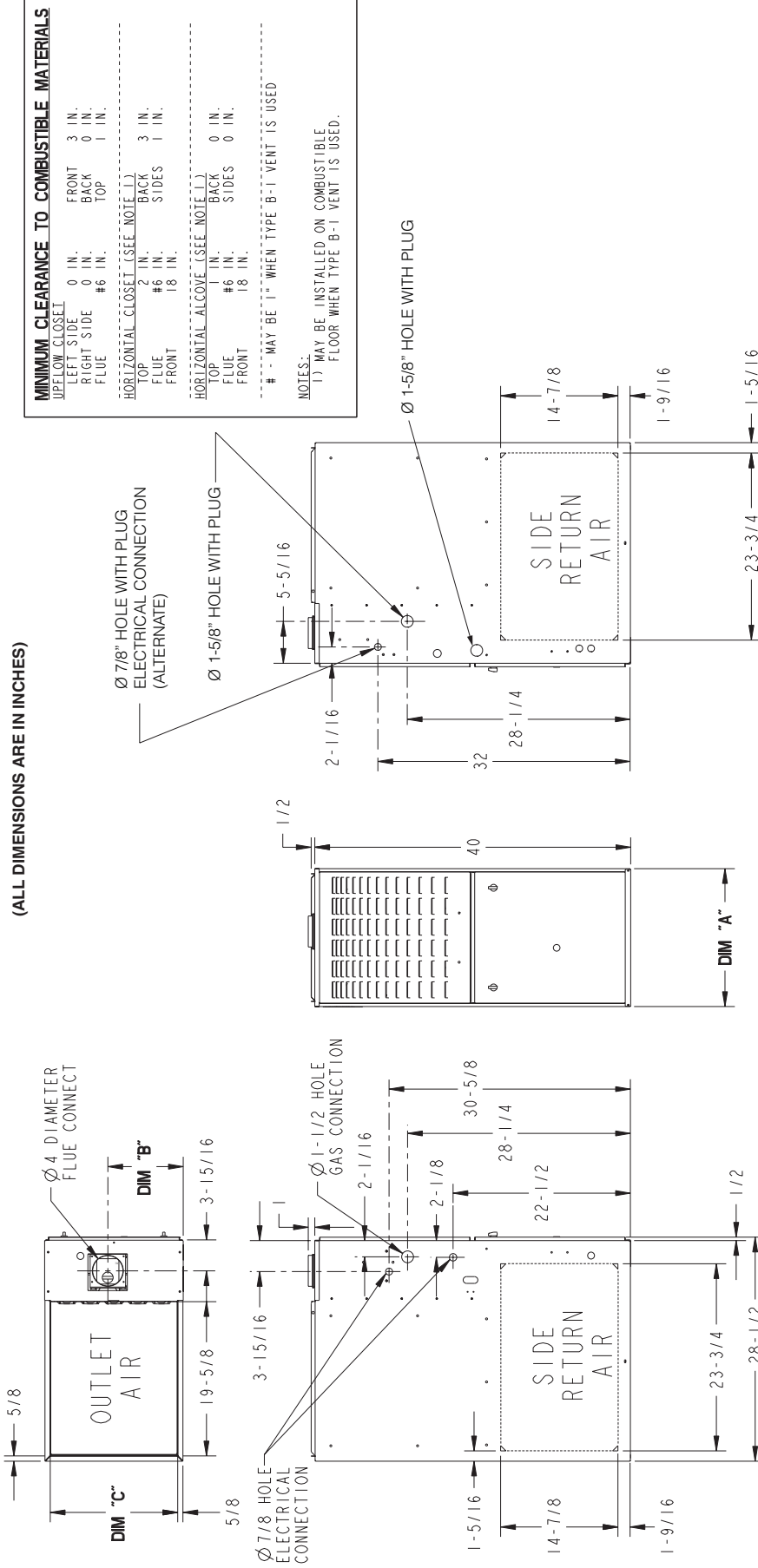
UPFLOW INSTALLATION

Standoffs and screws (See Figure 1) are included with the cased coils for attachment to the furnace.

NOTE: The top flanges on the furnace must be bent 90 degrees upward to allow the coil attachment.

There are clearance alignment holes near the bottom of the coil wrapper. Drill screws are used to engage the furnace top flanges. The standoff is inserted into the cabinet alignment hole. The drill screws are inserted through the standoffs then screwed into the furnace flange. The coil is always placed downstream of the furnace airflow. The above instructions apply only if the coil is on top of an upflow furnace.

*UD-ACV OUTLINE DRAWING (ALL DIMENSIONS ARE IN INCHES)



MINIMUM CLEARANCE TO COMBUSTIBLE MATERIALS

PIPE/CLOSET	FRONT	BACK	TOP
UPFLOW CLOSET	0 IN.	3 IN.	0 IN.
LEFT SIDE	0 IN.	0 IN.	0 IN.
RIGHT SIDE	0 IN.	0 IN.	0 IN.
FLUE	#6 IN.	#6 IN.	1 IN.

HORIZONTAL CLOSET (SEE NOTE 1)	BACK	SIDES	FRONT
TOP	2 IN.	3 IN.	3 IN.
FLUE	#6 IN.	#6 IN.	1 IN.
FRONT	18 IN.	18 IN.	18 IN.

HORIZONTAL ALCOVE (SEE NOTE 1)	BACK	SIDES	FRONT
TOP	1 IN.	0 IN.	0 IN.
FLUE	#6 IN.	#6 IN.	0 IN.
FRONT	18 IN.	18 IN.	18 IN.

NOTES:
 1) MAY BE INSTALLED ON COMBUSTIBLE FLOOR WHEN TYPE B-1 VENT IS USED.
 # - MAY BE 1" WHEN TYPE B-1 VENT IS USED

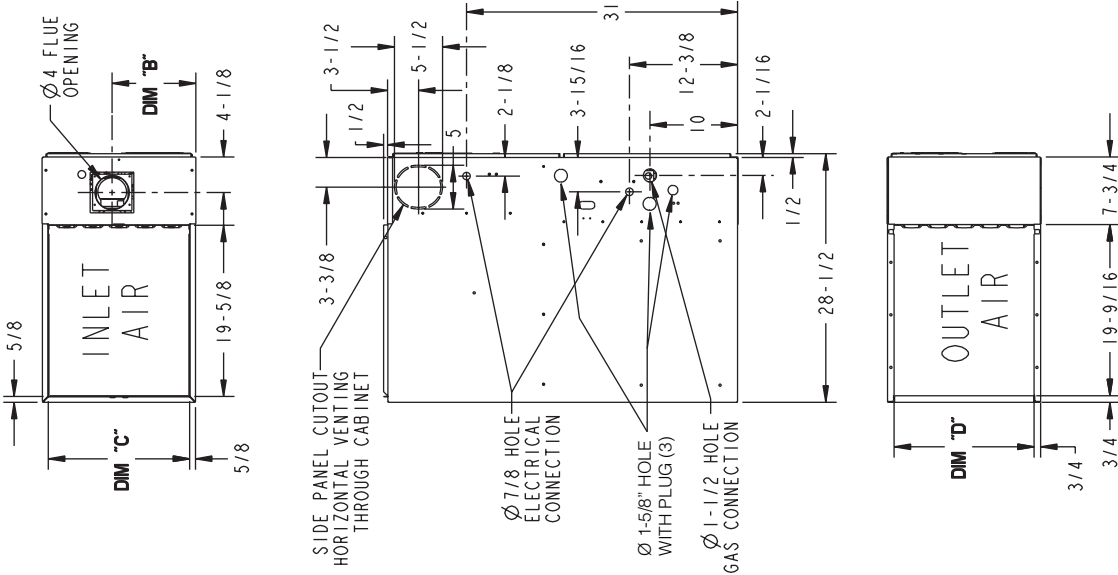
MODEL	A	B	C	D
*UD2B060ACV32B	17-1/2"	9-5/8"	16-1/4"	16"
*UD2B080ACV32B	21"	13-1/16"	19-3/4"	19-1/2"
*UD2B100ACV32B	24-1/2"	15-5/16"	23-1/4"	23"
*UD2C080ACV42B				
*UD2C100ACV52B				
*UD2D120ACV52B				
*UD2D140ACV52B				

* - The First Letter May Be "A" or "T"

From Dwg. C341699 Rev. 9

Installer's Guide

*DD2-ACV OUTLINE DRAWING (ALL DIMENSIONS ARE IN INCHES)



MINIMUM CLEARANCE TO COMBUSTIBLE MATERIALS	
DOWNFLOW CLOSET	
SIDES	0 IN. W/SINGLE WALL VENT - 0 IN. W/TYPE B-1 VENT
FLUE	6 IN. W/SINGLE WALL VENT - 1 IN. W/TYPE B-1 VENT
FRONT	6 IN. BACK 1 IN.
HORIZONTAL CLOSET (FLUE DISCHARGE LEFT)	
TOP	2 IN. W/SINGLE WALL VENT - 2 IN. W/TYPE B-1 VENT
FLUE	6 IN. W/SINGLE WALL VENT - 1 IN. W/TYPE B-1 VENT
FRONT	6 IN. BACK 3 IN. SIDES 1 IN.
HORIZONTAL CLOSET (FLUE DISCHARGE RIGHT)	
TOP	2 IN. W/SINGLE WALL VENT - 1 IN. W/TYPE B-1 VENT
FLUE	6 IN. W/SINGLE WALL VENT - 3 IN. SIDES 1 IN.
FRONT	6 IN. BACK 3 IN. SIDES 1 IN.
FOR INSTALLATION ON COMBUSTIBLE FLOORING ONLY. WHEN B-1 VENT CONNECTOR IS USED.	
HORIZONTAL ALCOVE (FLUE DISCHARGE LEFT)	
TOP	1 IN. W/SINGLE WALL VENT - 1 IN. W/TYPE B-1 VENT
FLUE	6 IN. W/SINGLE WALL VENT - 1 IN. W/TYPE B-1 VENT
FRONT	18 IN. BACK 0 IN. SIDES 0 IN.
HORIZONTAL ALCOVE (FLUE DISCHARGE RIGHT)	
TOP	1 IN. W/SINGLE WALL VENT - 1 IN. W/TYPE B-1 VENT
FLUE	6 IN. W/SINGLE WALL VENT - 1 IN. W/TYPE B-1 VENT
FRONT	18 IN. BACK 0 IN. SIDES 0 IN.

MODEL	A	B	C	D
*DD2B060ACV32B	17-1/2"	9-5/8"	16-1/4"	16"
*DD2B080ACV32B				
*DD2C100ACV52B	21"	13-1/16"	19-3/4"	19-1/2"
*DD2D120ACV52B	24-1/2"	15-5/16"	23-1/4"	23"

* - The First Letter May Be "A" or "T"

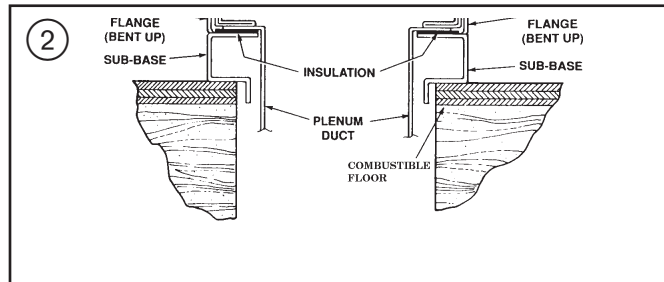
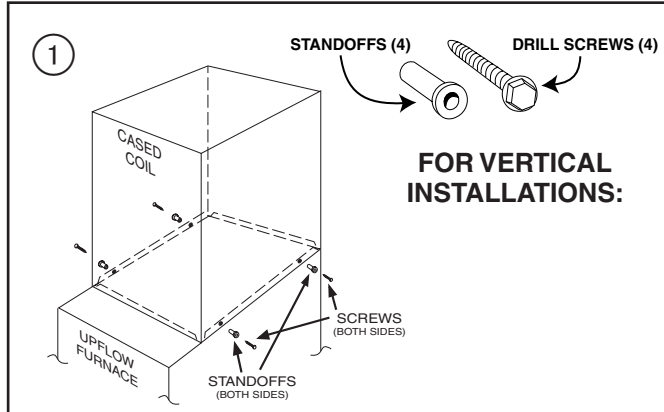
From Dwg. C341700 Rev. 5

DOWNFLOW INSTALLATION

⚠ WARNING

FIRE HAZARD

Do not install the furnace directly on carpeting, tile or other combustible material other than wood flooring. For vertical downflow application, subbase (BAY-BASE205) must be used between the furnace and combustible flooring. When the downflow furnace is installed vertically with a cased coil, a subbase is not required. Failure to follow this warning could result in property damage, personal injury or death.



REQUIRED FLOOR OPENING: (DOWNFLOW)
See Figure 3 and Table 1

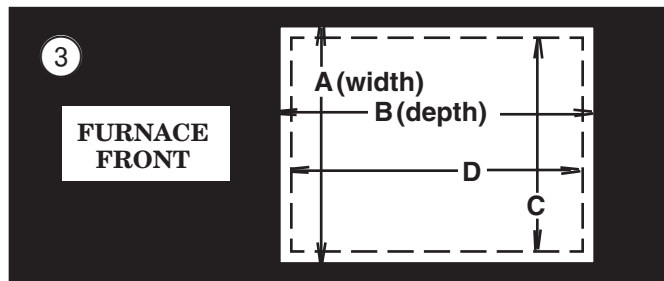


TABLE 1

CABINET WIDTH	RETURN DUCT WIDTH	FLOOR OPENING		PLENUM OPENING	
		"A"	"B"	"C"	"D"
17-1/2"	16-1/4"	16-5/8"	20-1/8"	15-5/8"	19-3/8"
21"	19-3/4"	20-1/8"	20-1/8"	19-1/8"	19-3/8"
24-1/2"	23-1/4"	23-5/8"	20-1/8"	22-5/8"	19-3/8"

HORIZONTAL INSTALLATION

The coil and furnace must be fully supported when used in the horizontal.

Three brackets (with screws) are included with downflow furnaces for installation to stabilize and secure the furnace and cased coil in the **horizontal position**. See Figure 4.

IMPORTANT:

The cased coil must be placed downstream in the supply air of the furnace. In horizontal installations, the apex of the coil may point either toward or away from the furnace. See the coil Installer's Guide for more details.

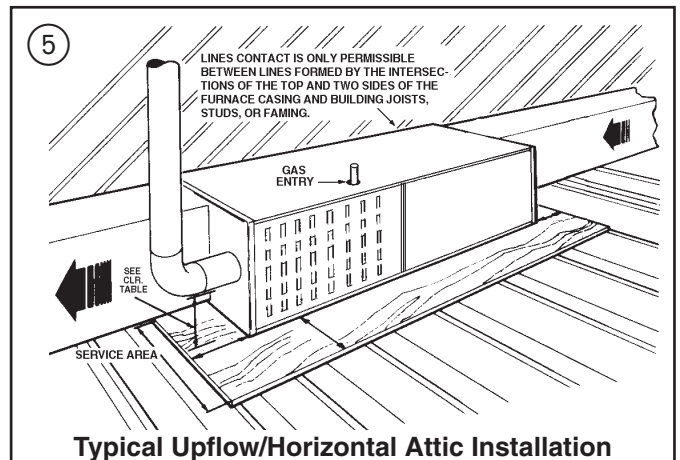
The cased coil is secured to the furnace and both the furnace **and** the cased coil must be properly supported. The brackets mount using the rear screws on the coil case and use the screws provided to secure the bracket to the furnace. The remaining bracket is placed as close to center as possible (horizontally) between the coil case front and the furnace bottom channel (for downflow/horizontal furnace). Use four of the screws provided to secure the bracket.

This furnace may be installed in an attic or crawl space in the horizontal position by placing the furnace on the left or right side



(as viewed from the front in the upright position). The horizontal furnace installation in an attic should be on a service platform large enough to allow for proper clearances on all sides and service access to the front of the furnace (See Clearance Table on Outline Drawings and Figure 5).

If the furnace is suspended using perforated steel strap (plumber's strap), it must be supported at all four corners and in the middle at the front of the furnace. The forward most screw on the side of the



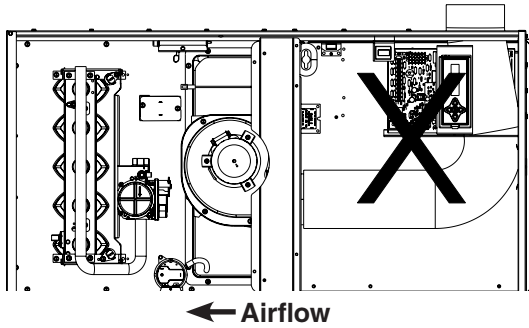
furnace may be used to connect the strapping (See Figure 7). Line contact is only permissible between lines formed by the intersection of the top and two sides of the furnace casing and the building joists, studs, or framing.

6

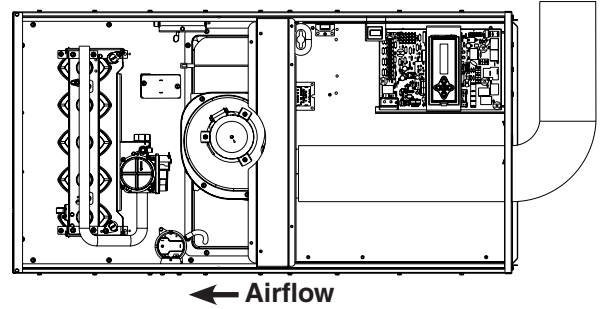
Downflow-Horizontal Furnace Vent Applications

Horizontal

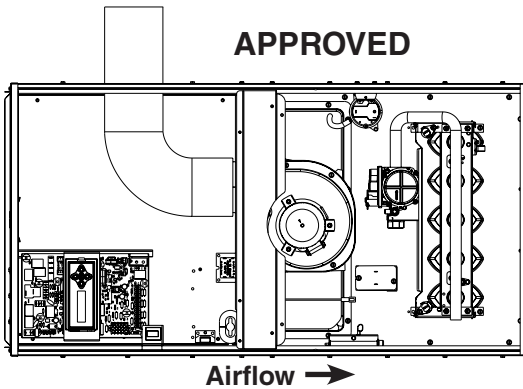
NOT APPROVED



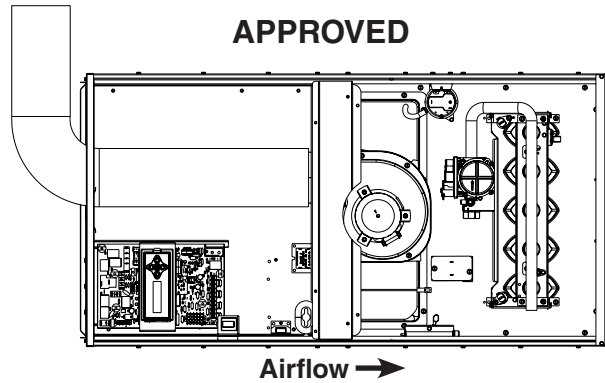
APPROVED



APPROVED

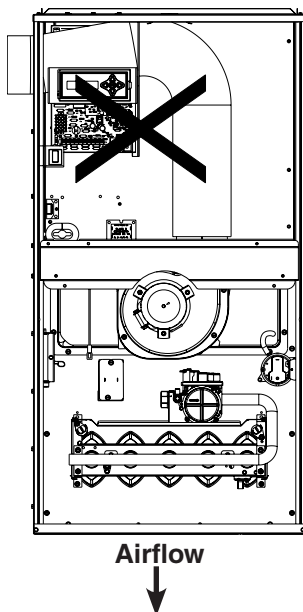


APPROVED

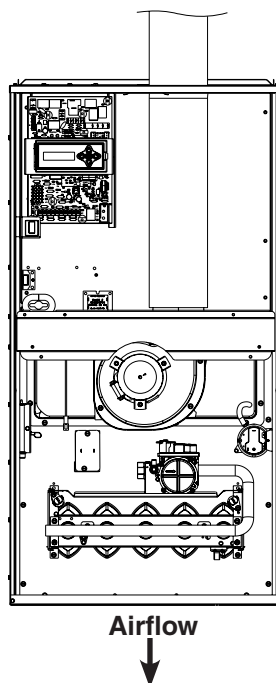


Vertical

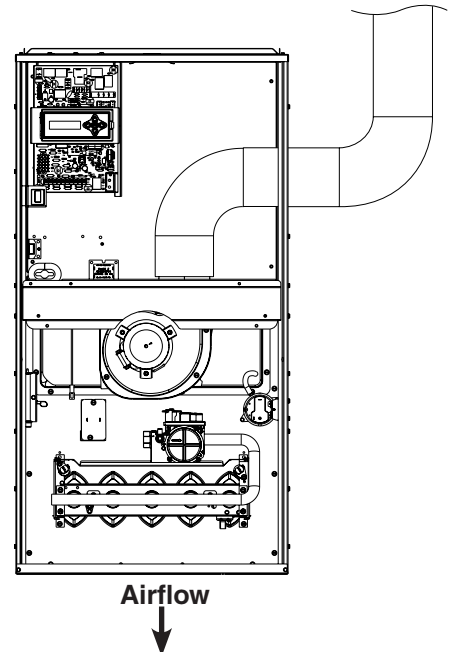
NOT APPROVED



APPROVED

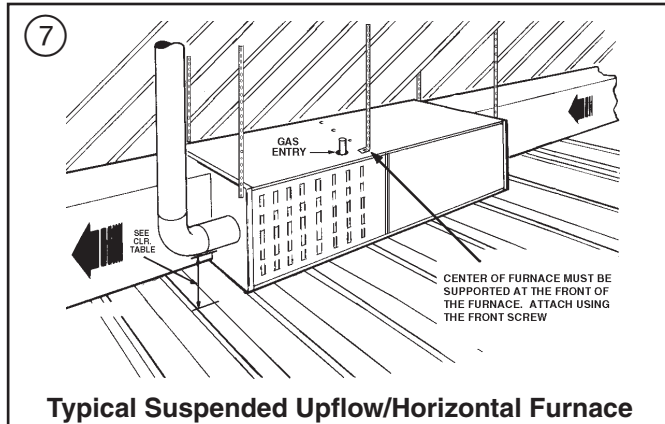


APPROVED



IMPORTANT:

Limited Warranty is conditional upon proper furnace and vent system application and installation. Downflow furnaces installed in the vertical or horizontal position may be vented through top or right side of the furnace cabinet only (see figure 6 for defined top, left and right). A 90 degree elbow may be installed inside the cabinet and rotated so the vent pipe entering through the right side furnace cabinet cutout can be connected to the elbow. Right side venting may be used to provide access if an electronic air cleaner is installed. Left side venting must use a 90 degree elbow outside the cabinet (Figure 6).



Typical Suspended Upflow/Horizontal Furnace

AIR FOR COMBUSTION AND VENTILATION

Adequate flow of combustion and ventilating air must not be obstructed from reaching the furnace. Air openings provided in the furnace casing must be free of obstructions which restrict the flow of air. Airflow restrictions affect the efficiency and safe operation of the furnace. Keep this in mind should you choose to remodel or change the area which contains your furnace. Furnaces must have a free flow of air for proper performance.

Provisions for combustion and ventilation air shall be made in accordance with "latest edition" of Section 5.3, Air for Combustion and Ventilation, of the National Fuel Gas Code, ANSI Z223.1, or Sections 7.2, 7.3 or 7.4 of CAN/CGA B149 Installation Codes, and applicable provisions of the local building codes. Special conditions created by mechanical exhausting of air and fireplaces must be considered to avoid unsatisfactory furnace operation.

Furnace locations may be in "confined space" or "unconfined space". Unconfined space is defined in Table 2 and Figure 8. These spaces may have adequate air by infiltration to provide air for combustion, ventilation, and dilution of flue gases. Buildings with tight construction (for example, weather stripping, heavily insulated, caulked, vapor barrier, etc.), may need additional air provided as described for confined space.

Confined spaces are installations with less than 50 cu. ft. of space per 1000 BTU/hr input from all equipment installed. Air for combustion and ventilation requirements can be supplied from inside the building as in Figure 9 or from the outdoors, as in Figure 10.

1. All air from inside the building as in Figure 9: The confined space shall be provided with two permanent openings connected directly to an additional room(s) of sufficient volume so that the combined volume of all spaces meets the criteria for an unconfined space. The total input of all gas utilization equipment installed in the combined space shall be considered in making this determination. Refer to Table 3, for minimum open areas required.
2. All air from outdoors as in Figure 11: The confined space shall be provided with two permanent openings, one commencing within 12 inches of the top and one commencing within 12 inches of the bottom of the enclosure.

8 UNCONFINED

50 CU. FT. OR MORE PER 1000 BTU/HR. INPUT ALL EQUIP. INSTALLED

9 CONFINED

LESS THAN 50 CU. FT. PER 1000 BTU/HR. INPUT ALL EQUIP INSTALLED

The openings shall be connected directly, or by ducts, with the outdoors or spaces (crawl or attic) that freely connect to the outdoors. Refer to Table 3, for minimum open areas required.

3. The following types of installations will **require** use of OUTDOOR AIR for combustion, due to chemical exposures:
 - * Commercial buildings
 - * Buildings with indoor pools
 - * Furnaces installed in commercial laundry rooms
 - * Furnaces installed in hobby or craft rooms
 - * Furnaces installed near chemical storage areas.

Exposure to the following substances in the combustion air supply will also require OUTDOOR AIR for combustion:

- * Permanent wave solutions
- * Chlorinated waxes and cleaners
- * Chlorine based swimming pool chemicals
- * Water softening chemicals
- * Deicing salts or chemicals
- * Carbon Tetrachloride
- * Halogen type refrigerants
- * Cleaning solvents (such as perchloroethylene)
- * Printing inks, paint removers, varnish, etc.
- * Hydrochloric acid
- * Cements and glues
- * Antistatic fabric softeners for clothes dryers
- * Masonry acid washing materials

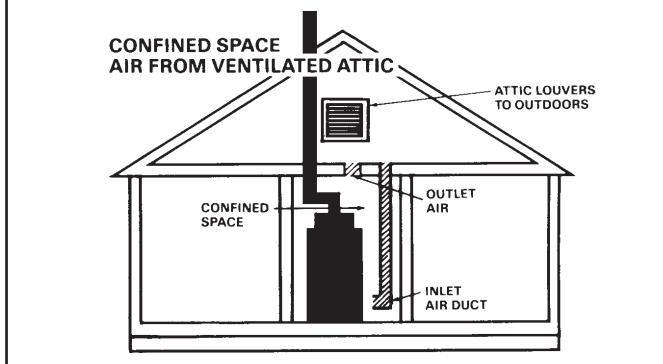
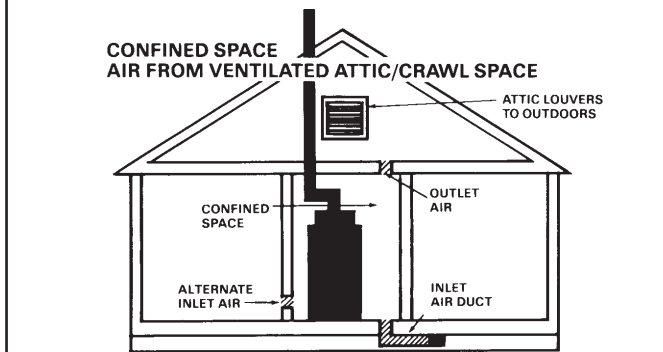
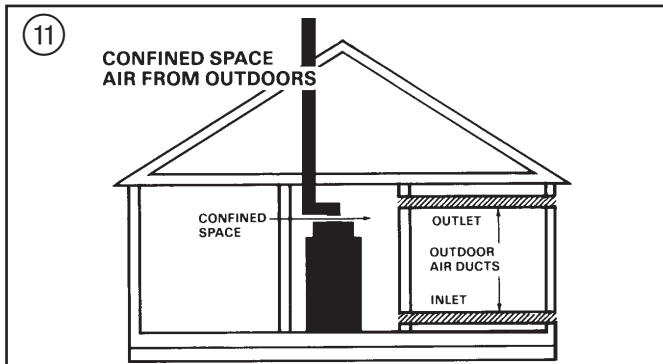
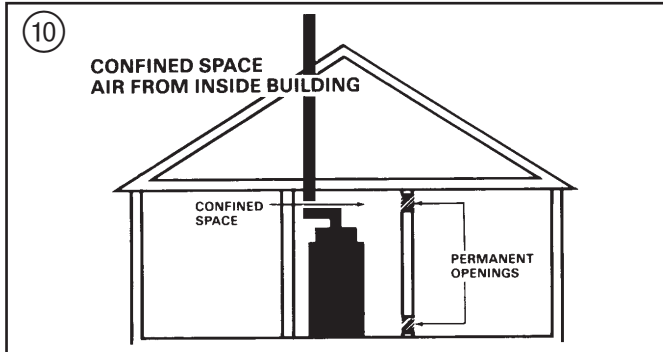
TABLE 2

MINIMUM AREA IN SQUARE FEET FOR UNCONFINED SPACE INSTALLATIONS	
FURNACE MAXIMUM BTUH INPUT RATING	WITH 8 FT. CEILING MINIMUM AREA IN SQUARE FEET OF UNCONFINED SPACE
60,000	375
80,000	500
100,000	625
120,000	750
140,000	875

Installer's Guide

TABLE 3
MINIMUM FREE AREA IN SQUARE INCHES
EACH OPENING (FURNACE ONLY)

Furnace Maximum BTUH/INPUT Rating	Air From Inside	Air From Outside	
		Vertical Duct	Horizontal Duct
60,000	100	15	30
80,000	100	20	40
100,000	100	25	50
120,000	120	30	60
140,000	140	35	70



DUCT CONNECTIONS

NOTE: The top flanges on the furnace must be bent 90 degrees upward to allow connection to the ducting.

Air duct systems should be installed in accordance with standards for air conditioning systems, National Fire Protection Association Pamphlet No. 90. They should be sized in accordance with ACCA Manual D or whichever is applicable. Check on controls to make certain they are correct for the electrical supply.

Central furnaces, when used in connection with cooling units, shall be installed in parallel or on the upstream side of the cooling units to avoid condensation in the heating element, unless the furnace has been specifically approved for downstream installation. With a parallel flow arrangement, the dampers or other means used to control flow of air shall be adequate to prevent chilled air from entering the furnace, and if manually operated, must be equipped with means to prevent operation of either unit unless the damper is in full heat or cool position.

On any job, flexible connections of nonflammable material may be used for return air and discharge connections to prevent transmission of vibration. Though these units have been specifically designed for quiet, vibration free operation, air ducts can act as sounding boards and could, if poorly installed, amplify the slightest vibration to the annoyance level.

When the furnace is located in a utility room adjacent to the living area, the system should be carefully designed with returns which minimize noise transmission through the return air grille. Although these winter air conditioners are designed with large blowers operating at moderate speeds, any blower moving a high volume of air will produce audible noise which could be objectionable when the unit is located very close to a living area. It is often advisable to route the return air ducts under the floor or through the attic. Such design permits the installation of air return remote from the living area (i.e. central hall).

When the furnace is installed so that the supply ducts carry air circulated by the furnace to areas outside the space containing the furnace, the return air shall also be handled by a duct(s) sealed to the furnace and terminating outside the space containing the furnace.

Minimum return air/"air entering" temperature for the furnace is 55° F.

Where there is no complete return duct system, the return connection must be run full size from the furnace to a location outside the utility room, basement, attic, or crawl space.

***DO NOT* install return air through the back of the furnace cabinet.**

RETURN AIR DUCT CONNECTION

NOTE:

On upflow 5 ton airflow models, if the airflow requirement exceeds 1800 CFM, these models will require return air openings and filters on both sides; OR 1 side and the bottom; OR just the bottom.

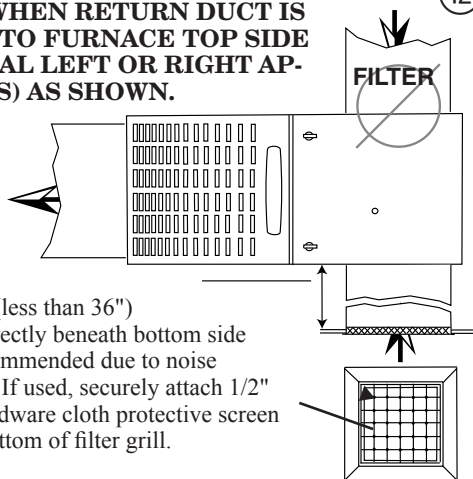
All return air duct systems should provide for installation of return air filters.

PREPARATION FOR UPFLOW BOTTOM AND SIDE RETURN AIR FILTER INSTALLATION

All return air duct systems should provide for installation of return air filters.

1. Determine the appropriate position to set the furnace in order to connect to existing supply and return ductwork.
2. The return air filter is shipped in either the bottom or side location. Remove the filter by first turning the two latches on the blower door and tilting the door forward to remove. Remove the filter by sliding it out.
3. For upflow side return installations, remove the insulation around the opening in the blower compartment.
4. The side panels of the upflow furnace include locating notches that are used as guides for cutting an opening for return air, refer to Figure 13 and the outline drawing on page 4 for duct connection dimensions for various furnaces.
5. The bottom panel of the upflow furnace must be removed for bottom return air. After removing the filter, lay the furnace on its back. Remove the two 5/16" hex screws securing the front of the bottom channel to the cabinet. Rotate the channel downward (or remove by lowering the front edge of the channel and pulling forward). Slide the bottom return air panel out of the cabinet. Rotate the front channel to its original position and reinstall the two 5/16" screws.
6. If a 3/4" flange is to be used for attaching the air inlet duct, add to cut where indicated by dotted lines in Figure 13. Cut corners diagonally and bend outward to form flange.
7. If flanges are not required, and a filter frame is installed, cut between locating notches (See Figure 13).
8. **Upflow Furnaces:** filter clips are factory supplied for bottom or side return. Use the filter clips on either side or on the bottom if the filter is to be used within the furnace cabinet.

REMOVE FILTER FROM UPFLOW FURNACE WHEN RETURN DUCT IS ATTACHED TO FURNACE TOP SIDE (HORIZONTAL LEFT OR RIGHT APPLICATIONS) AS SHOWN.



Close coupled (less than 36") return (filter directly beneath bottom side return) not recommended due to noise considerations. If used, securely attach 1/2" mesh metal hardware cloth protective screen to the inside bottom of filter grill.

When the upflow furnace is installed in the horizontal right or left application and a return duct is attached to the top side as shown in Figure 12, remove the filter from the furnace and install in a remote location.

When the upflow furnace is installed in the horizontal right or left application and a close coupled (less than 36") return duct is attached to the bottom side of the furnace as shown in Figure 12, securely attach a 1/2" mesh metal hardware cloth protective screen to the inside bottom of the filter grill **to prevent personal injury from contacting moving parts when reaching into the return opening to replace the filter.**

⚠ WARNING

Do not install the filter in the return duct directly above the furnace in horizontal applications. Install the filter remotely. Installing the filter directly above the furnace in horizontal applications may cause property damage, serious injury or death.

⚠ WARNING

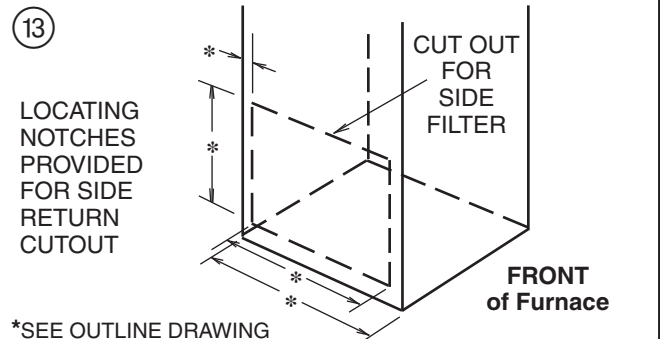
TO PREVENT INJURY OR DEATH DUE TO CONTACT WITH MOVING PARTS, TURN THE POWER TO THE FURNACE OFF BEFORE SERVICING FILTERS.

Close coupled (less than 36") return (filter directly beneath bottom side return) is not recommended due to noise considerations.

Downflow Furnaces: Brackets are factory supplied to mount filters in the return air duct work.

9. Connect the duct work to the furnace. See Outline Drawing for supply and return duct size and location. Flexible duct connectors are recommended to connect both supply and return air ducts to the furnace.

If only the front of the furnace is accessible, it is recommended that both supply and return air plenums are removable.



10. When replacing a furnace, old duct work should be cleaned out. Thin cloths should be placed over the registers and the furnace fan should be run for 10 minutes. Don't forget to remove the cloths before you start the furnace.
11. **The horizontal installation of the upflow furnace requires an external filter section. Do NOT use the bottom return filter within the furnace. Filter kits are available for horizontal applications.**

Installer's Guide

RETURN AIR FILTERS

TYPICAL UPFLOW RETURN AIR FILTER INSTALLATIONS

Filters are factory supplied for these furnaces. These furnaces require high velocity type air filters. The filters may be located within the furnace blower compartment for UPFLOW furnaces in either a BOTTOM or SIDE (left side or right side) return air inlet. Some filters may need to be trimmed for side or bottom filter use.

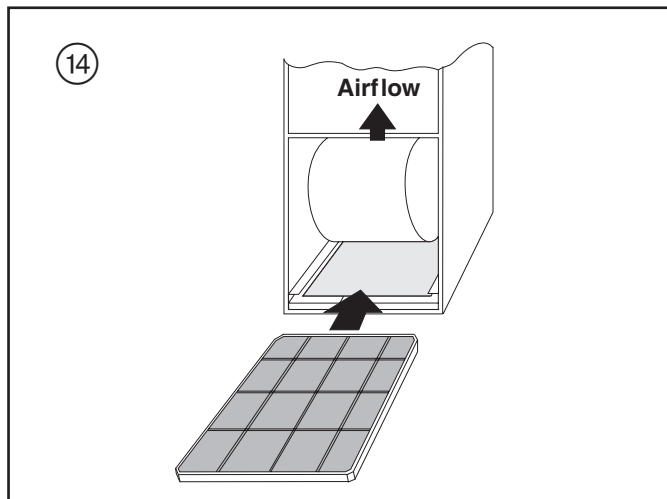
NOTE: For upflow 5 ton airflow models where the airflow requirement exceeds 1800 CFM - Models will require return air openings and filters on: (1) both sides, or (2) one side and the bottom, or (3) just the bottom.

The furnace and the bottom filter rack, BAYRACK960, installation can be seen in Figures 14 and 15.

TABLE 4

UPFLOW FURNACE RETURN AIR FILTERS			
CABINET WIDTH	QTY*	CABINET BOTTOM FILTER	CABINET SIDE FILTER
17-1/2"	1	17" X 25" X 1"	17-1/2" X 25" X 1"
21"	1	20" X 25" X 1"	17-1/2" X 25" X 1"
24-1/2"	1	24" X 25" X 1"	17-1/2" X 25" X 1"

*First letter may be "A" or "T"
****NOTE: For upflow 5 ton airflow models where the airflow requirement exceeds 1800 CFM - Models will require return air openings and filters on: (1) both sides, or (2) one side and the bottom, or (3) just on the bottom**



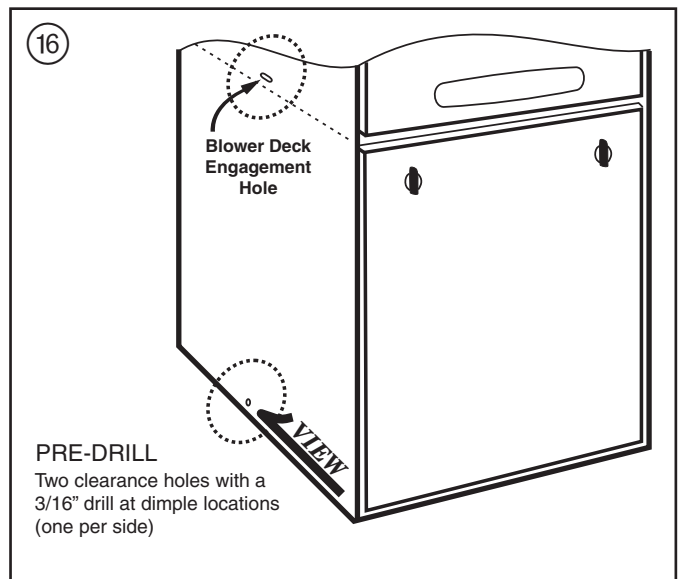
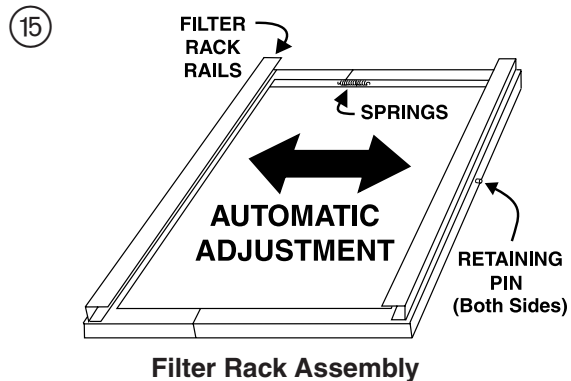
ALTERNATE FILTER RACK INSTALLATION FOR BOTTOM RETURN - BAYRACK960

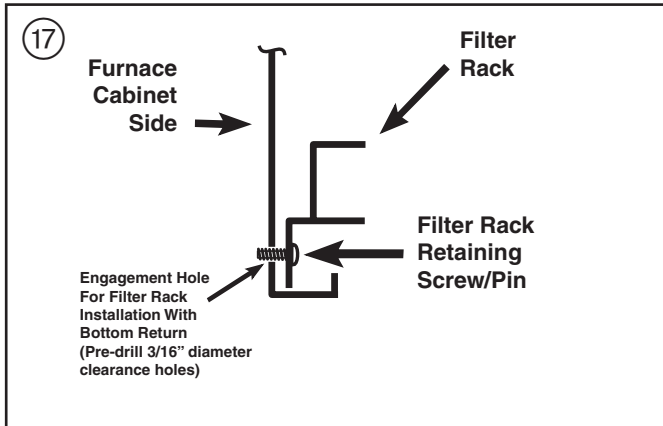
The following checklist should be used when installing as a bottom return filter on an upflow furnace:

- Remove the filter.
- Remove the bottom panel.
- Pre-drill two engagement holes with 3/16" drill at dimple locations. See Figure 16.
- With the filter removed, the filter rack is compressed and then inserted into the bottom of the furnace. The retaining screw/pin on each side inserts into engagement holes at the bottom of the furnace cabinet side. See Figure 17.
- Reinstall the furnace filter in the bottom position by inserting the chamfer end first into the filter rack.



BOTTOM FILTER RACK INSTALLATION





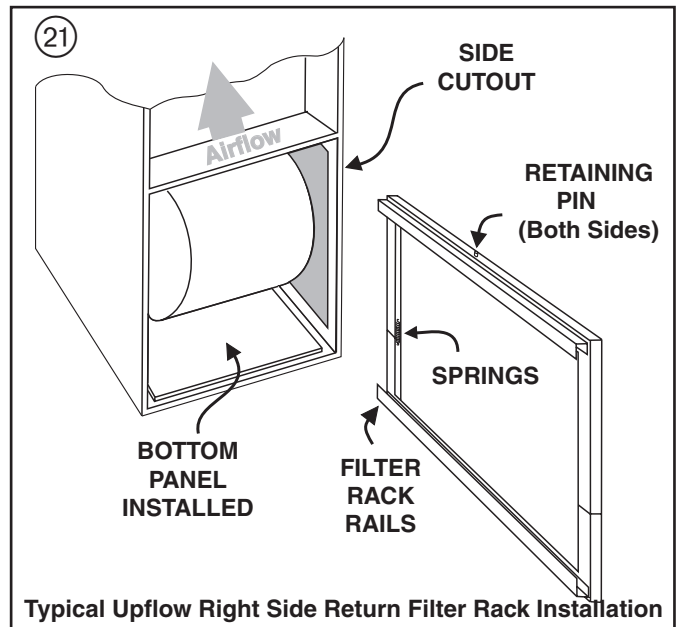
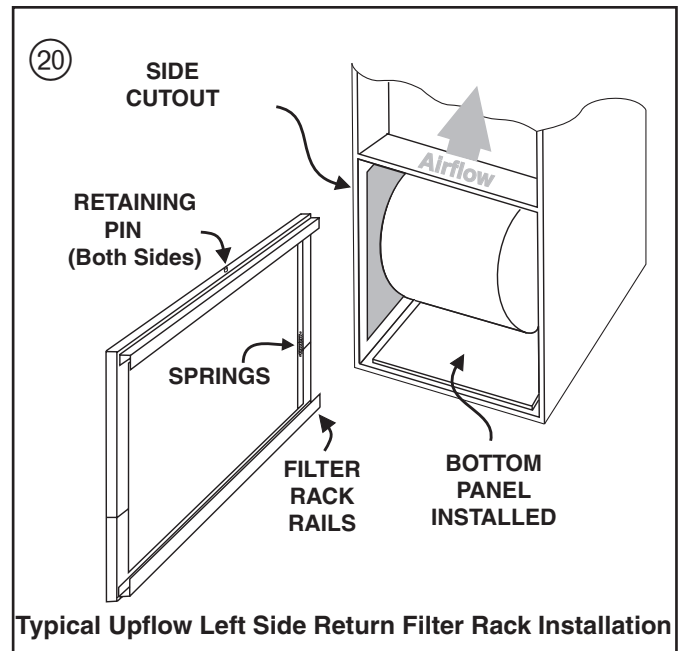
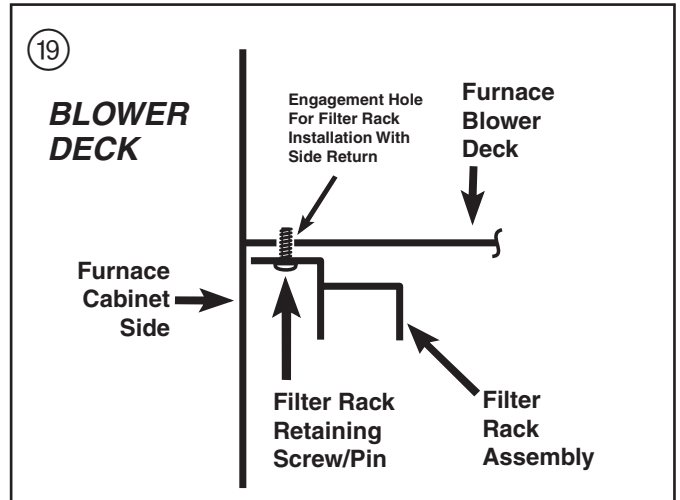
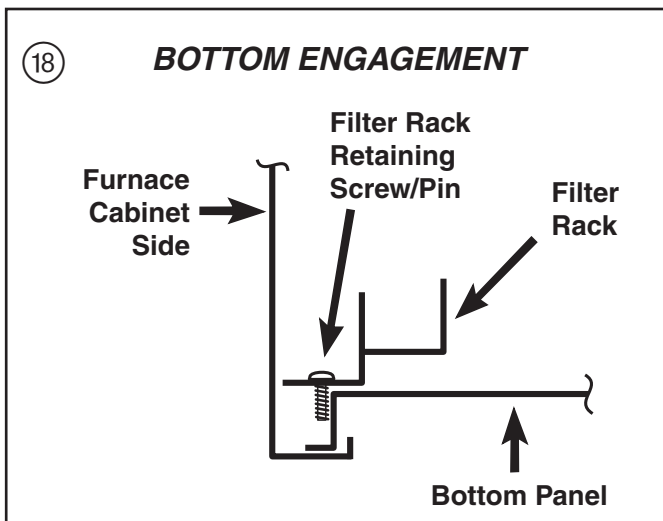
Cabinet Width	Left Side	Bottom	Right Side
17.5	X	X	X
21	X	X	X
24.5	X	X	X

1. Remove bottom front channel to install or reposition filter rack.
X - All Models

ALTERNATE FILTER RACK INSTALLATION FOR SIDE RETURN AIR ON UPFLOW FURNACES (LEFT OR RIGHT) - BAYRACK960

The following checklist should be used when installing a right or left side return filter in an upflow furnace:

- Remove the filter.
- Leave the bottom panel in place.
- Make side cutout by following the directions in the "Return Air Duct Connections" section on page 11.
- Compress the filter rack and reinstall in the side position on the furnace. Confirm that the upper retaining pin/screw locks into the engagement hole in the blower deck and the lower pin/screw rests against the side of the bottom panel. See Figures 16, 18-21.
- Reinstall the furnace filter in the side position by inserting the chamfer end first into the filter rack.

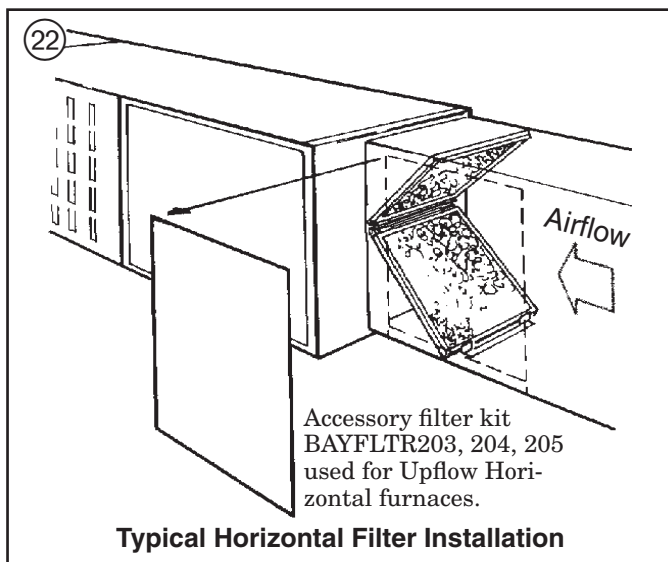


Installer's Guide

RETURN AIR FILTERS FOR UPFLOW FURNACE IN HORIZONTAL CONFIGURATION

When the Upflow Furnace is installed in the horizontal configuration, the return air filters must be installed exterior to the furnace cabinet. Remote filter grilles may be used for homeowner convenience or the filters may be installed in the duct work upstream of the furnace. See Figure 22.

Conversion kits for horizontal filters are BAYFLTR203 for 17 1/2" width cabinets, BAYFLTR204 for 21" width cabinets, and BAYFLTR205 for 24" width cabinets. These include filters and brackets necessary for horizontal filters. See Figure 22.

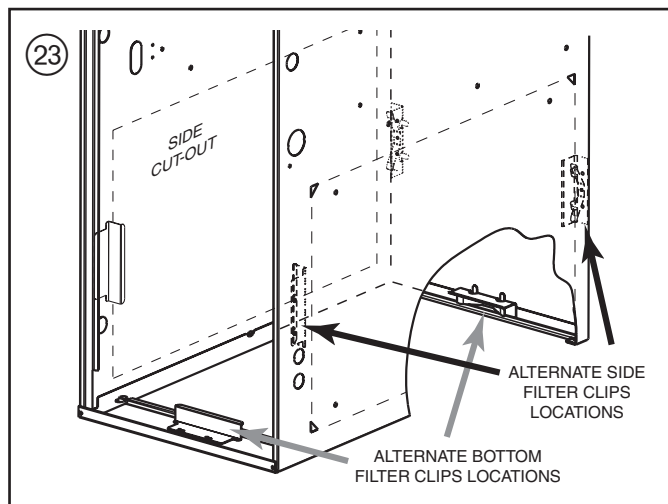


Typical Horizontal Filter Installation

UPFLOW FILTER CLIP / BRACKET INSTALLATION

NOTE: Upflow models only - Installation of the alternate bottom filter kit requires the bottom flange to be bent flat.

1. Determine the location to be used. The furnace cabinet has dimples for location of the furnace clips (*Side return only*). Pre-drill clearance holes with a 3/16" drill. Bottom return holes are pre-drilled. Attach clip to bottom channel and rear of unit with screws provided for bottom return.
2. Install the clips in front and rear of the desired location using the screws provided. The filter clip with the leaf spring mounts in the rear of the cabinet. See Figure 23.



INSTALLING THE FILTER

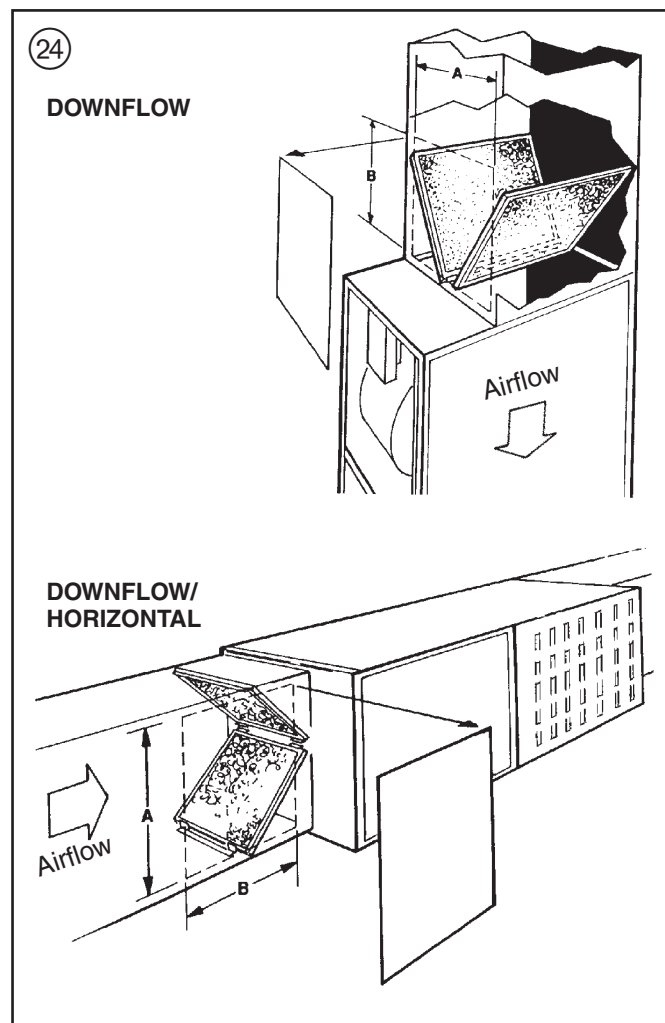
The filter may need to be cut to fit the unit depending on the location of the return air filter.

A score line and the words "CUT HERE" are located on the end of the filter. If your application requires cutting the filter, do so as indicated by the score mark.

UNIT SIZE	RETURN AIR	
	BOTTOM	SIDE
17-1/2"	DO NOT CUT	DO NOT CUT
21"	DO NOT CUT	CUT ON LINE
24-1/2"	DO NOT CUT	CUT ON LINE

TYPICAL DOWNFLOW FURNACE RETURN AIR FILTER INSTALLATIONS

Two filters are factory supplied for each downflow furnace. These furnaces require high velocity type air filters. Downflow furnace filters must be located outside the furnace cabinet. Typical installations are shown in Figure 24. Tables 5 and 6 provide information for installation of the filter retaining brackets shipped with downflow furnaces.



Important: When using the supplied high velocity filters, the filter support base must be installed into the furnace duct flange prior to ductwork installation.

Remove the brackets from the blower compartment. They are wrapped in foam and taped to the side of the downflow unit.

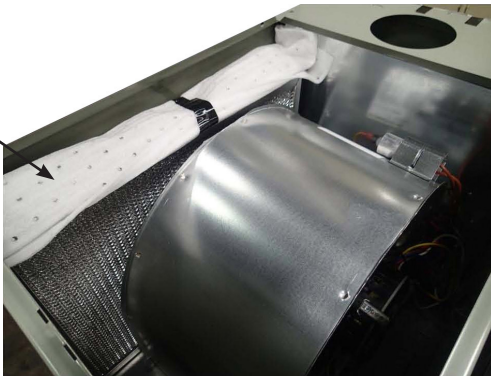
Remove the four screws securing the top panel. Save screws.

Slide the top panel forward approximately 1".

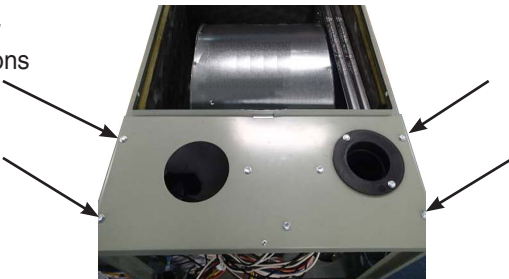
With support tabs facing up, install the filter base by inserting one end tab into the duct flange at the rear of the furnace.

Slide the top panel back to its original position, engaging the other end tab in the slot. Replace screws.

Remove brackets



Screw locations



Flanges upward

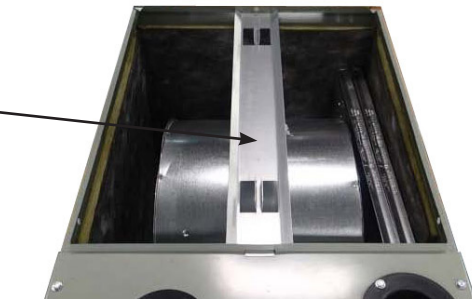


TABLE 5

CABINET WIDTH	FILTER SIZE	FILTER BRACKET LOCATION *
17-1/2"	2 - 16X20X1	14-3/8"
21"	2 - 16X20X1	13-1/8"
24-1/2"	2 - 16X20X1	11-5/8"

* Location dimension is from end of duct to the screw holes for the bracket.

TABLE 6

CABINET WIDTH	RETURN DUCT WIDTH	FILTER ACCESS OPENING - DIMENSION "A"	FILTER ACCESS OPENING - DIMENSION "B"
17-1/2"	16-1/4"	15"	14"
21"	19-3/4"	19-1/2"	14"
24-1/2"	23-1/4"	22"	14"

GENERAL VENTING INSTRUCTIONS

⚠ WARNING

CARBON MONOXIDE POISONING HAZARD

Failure to follow the steps outlined below for each appliance connected to the venting system being placed into operation could result in carbon monoxide poisoning or death.

The following steps shall be followed for each appliance connected to the venting system being placed into operation, while all other appliances connected to the venting system are not in operation:

1. Seal any unused openings in the venting system.
2. Inspect the venting system for proper size and horizontal pitch, as required in the National Fuel Gas Code, ANSI Z223.1/NFPA 54 or the CAN/CGA B149 Installation Codes and these instructions. Determine that there is no blockage or restriction, leakage, corrosion and other deficiencies which could cause an unsafe condition.
3. As far as practical, close all building doors and windows and all doors between the space in which the appliance(s) connected to the venting system are located and other spaces of the building.
4. Close fireplace dampers.
5. Turn on clothes dryers and any appliance not connected to the venting system. Turn on any exhaust fans, such as range hoods and bathroom exhausts, so they are operating at maximum speed. Do not operate a summer exhaust fan.
6. Follow the lighting instructions. Place the appliance being inspected into operation. Adjust the thermostat so appliance is operating continuously.
7. If improper venting is observed during any of the above tests, the venting system must be corrected in accordance with the National Fuel Gas Code, ANSI Z221.1/NFPA 54 and/or CAN/CGA B149 Installation Codes.
8. After it has been determined that each appliance connected to the venting system properly vents where tested as outlined above, return doors, windows, exhaust fans, fireplace dampers and any other gas-fired burning appliance to their previous conditions of use.

VENT PIPING

These furnaces have been classified as Fan-Assisted Combustion System, Category I furnaces under the "latest edition" provisions of ANSI Z21.47 and CAN/CGA 2.3 standards. Category I furnaces operate with a non-positive vent static pressure and with a flue loss of not less than 17 percent.

NOTE:

If desired, a side wall termination can be accomplished through the use of an "add-on" draft inducer. The inducer must be installed according to the inducer manufacturer's instructions. Set the barometric pressure relief to achieve -0.02 inch water column.

Installer's Guide

NOTE: When the downflow furnace is installed in the horizontal right position with the right side of the furnace cabinet facing down, the vent pipe must be routed through the top panel of the furnace (See illustration 7 on page 8). Do not install the vent pipe through the left side of the cabinet.

The furnace shall be connected to a factory built chimney or vent complying with a recognized standard, or a masonry or concrete chimney lined with a lining material acceptable to the authority having jurisdiction.

⚠ WARNING

CARBON MONOXIDE HAZARD
Furnace venting into an unlined masonry chimney or concrete chimney is prohibited. Failure to follow this warning could result in property damage, personal injury, or death.

VENTING INTO A MASONRY CHIMNEY
If the chimney is oversized, the liner is inadequate, or flue-gas condensation is a problem in your area, consider using the chimney as a pathway or chase for type "B" vent or flexible vent liner. If flexible liner material is used, size the vent using the "B" vent tables, then reduce the maximum capacity by 20% (multiply 0.80 times the maximum capacity). Masonry Chimney Kit BAYVENT800B may be used with these furnaces (**Upflow model furnaces only**) to allow venting into a masonry chimney. Refer to the BAYVENT800B Installer's Guide for application requirements.

Internal Masonry Chimneys
Venting of fan assisted appliances into a lined, internal masonry chimney is allowed only if it is common vented with at least one natural draft appliance; **OR**, if the chimney is lined with type "B", double wall vent or suitable flexible liner material (See Table 7).

⚠ WARNING

CARBON MONOXIDE HAZARD
The chimney liner must be thoroughly inspected to insure no cracks or other potential areas for flue gas leaks are present in the liner. Liner leaks will result in early deterioration of the chimney.

Failure to follow this warning could result in carbon monoxide poisoning or death.

NOTE:
The following section does not apply if BAYVENT800B (Masonry Chimney Vent Kit) is used. All instructions with the kit must be followed.

TABLE 7

MASONRY CHIMNEY VENTING

Type Furnace	Tile Lined Chimney		Chimney Lining	
	Internal	External	"B" Vent	Flexible Metal Liner
Single Fan Assist	No	No	Yes	Yes*
Fan Assist + Fan Assist	No	No	Yes	Yes*
Fan Assist + Natural	Yes	No	Yes	Yes*

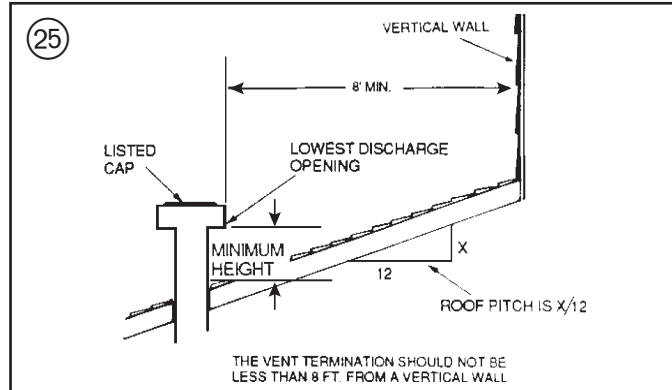
* Flexible chimney liner size is determined by using the type "B" vent size for the available BTUH input, then reducing the maximum capacity by 20% (multiply maximum capacity times 0.80). The minimum capacity is the same as shown in the "B" vent tables.

EXTERNAL MASONRY CHIMNEY
Venting of fan assisted appliances into external chimneys (one or more walls exposed to outdoor temperatures), requires the chimney be lined with type "B", double wall vent or suitable flexible chimney liner mate-

TABLE 8

GAS VENT TERMINATION	
ROOF PITCH	MINIMUM HEIGHT
FLAT TO 7/12	1.0 FEET *
OVER 7/12 TO 8/12	1.5 FEET
OVER 8/12 TO 9/12	2.0 FEET
OVER 9/12 TO 10/12	2.5 FEET
TO 11/12 OVER 11/12 TO 12/12	3.25 FEET
OVER 12/12 TO 14/12	4.0 FEET
OVER 14/12 TO 16/12	5.0 FEET
OVER 16/12 TO 18/12	6.0 FEET
OVER 18/12 TO 20/12	7.0 FEET
OVER 20/12 TO 22/12	7.5 FEET
	8.0 FEET

* THIS REQUIREMENT COVERS MOST INSTALLATIONS



rial. This applies in all combinations of common venting as well as for fan assisted appliances vented alone.

The following installation practices are recommended to minimize corrosion caused by condensation of flue products in the furnace and flue gas system.

⚠ WARNING

CARBON MONOXIDE POISONING HAZARD
Failure to follow the installation instructions for the venting system being placed into operation could result in carbon monoxide poisoning or death.

- Avoid an excessive number of bends.
- Horizontal runs should pitch upward at least 1/4" per foot.
- Horizontal runs should be as short as possible.
- All vent pipe or connectors should be securely supported and must be inserted into, but not beyond the inside wall at the chimney vent.
- When vent connections must pass through walls or partitions of combustible material, a thimble must be used and installed according to local codes.
- Vent pipe through the roof should be extended to a height determined by National Fuel Gas Code or local codes. It should be capped properly to prevent rain water from entering the vent. Roof exit should be waterproofed.
- Use type "B" double wall vent when vent pipe is routed through cool spaces (below 60° F.).
- Apply other good venting practices as stated in the venting section of the National Fuel Gas Code ANSI Z223.1 "latest edition".
- Vent connectors serving appliance vented by natural draft or non-positive pressure shall not be connected into any portion of a mechanized draft system operating under positive pressure.**
- Horizontal pipe runs must be supported by hangers, straps or other suitable material in intervals at a minimum of every 3 feet of pipe.

- A furnace shall not be connected to a chimney or flue serving a separate appliance designed to burn solid fuel.
- The flow area of the largest section of vertical vent or chimney shall not exceed 7 times the smallest listed appliance categorized vent area, flue collar area, or draft hood outlet area unless designed in accordance with approved engineering methods.

$$\text{Maximum Vent or Tile Lined Chimney Flow Area} = \frac{\pi(D^*)^2}{4} \times 7$$

*Drafthood outlet diameter, flue collar diameter, or listed appliance categorized vent diameter.

⚠ WARNING

SAFETY HAZARD

The cabinet must have an uninterrupted or unbroken ground according to National Electrical Code, ANSI/NFPA 70 - "latest edition" and Canadian Electrical Code, CSA C22.1 or local codes to minimize personal injury if an electrical fault should occur. A failure to follow this warning could result in an electrical shock, fire, injury, or death.

⚠ CAUTION

The integrated furnace control is polarity sensitive. The hot leg of the 115 VAC power must be connected to the BLACK field lead.

⚠ WARNING

SHOCK HAZARD

To prevent injury or death due to electrical shock or contact with moving parts, lock unit disconnect switch in the open position before servicing the unit. Failure to follow this warning could result in electrical shock, personal injury, or death.

ELECTRICAL CONNECTIONS

⚠ CAUTION

Protect from Property Damage
Do NOT connect the furnace line voltage to a GFCI protected circuit. Failure to follow this warning could result in property damage

NOTE: The maximum total cable length for the entire Comfort Control communicating system is 500 ft. 18 AWG. The maximum distance of any single cable from a transformer is 250 ft. 18 AWG.

WHOLE HOUSE AIR CLEANER CONNECTION

NOTE: The B/C terminal will require three wires to be connected to the low voltage terminal strip. To make this easier, create a pigtail using a short length of thermostat wire to connect the three wires to the B/C terminal.

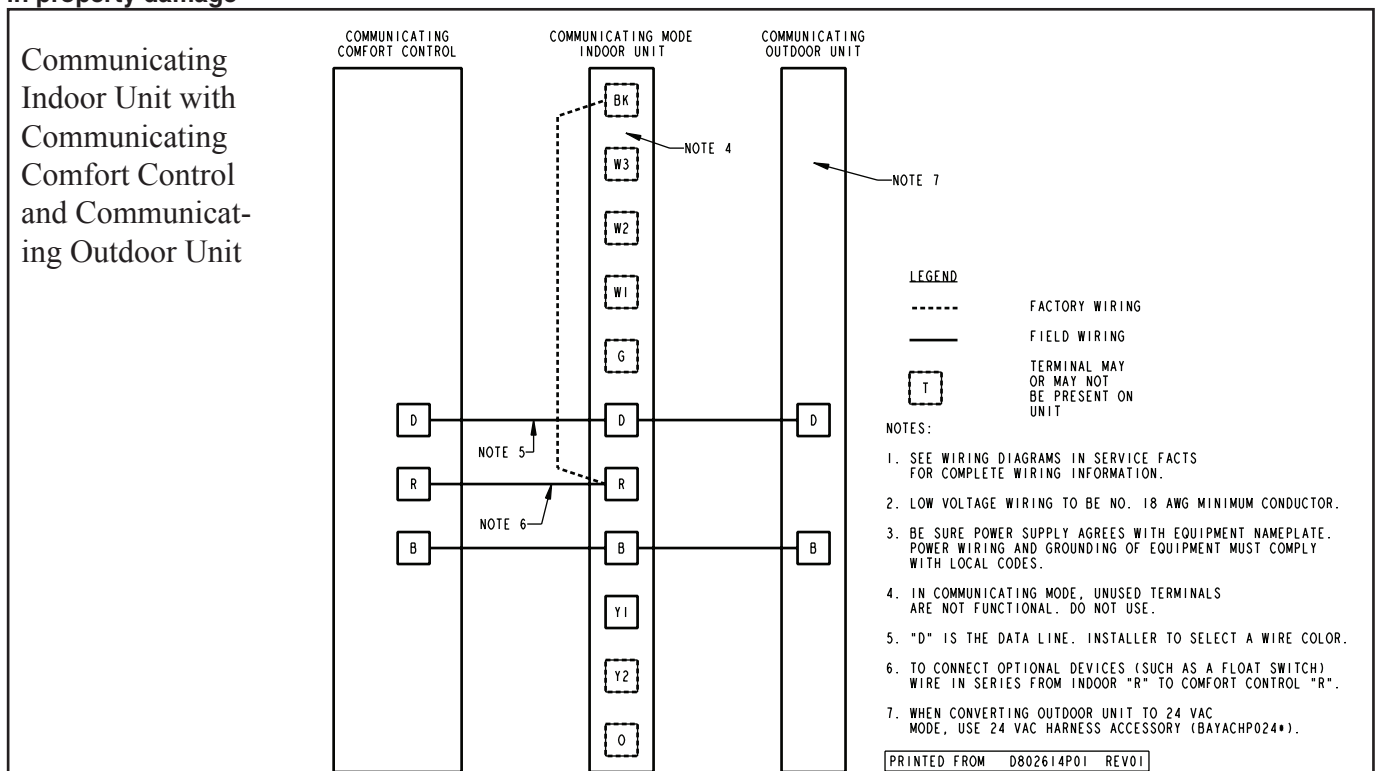
NOTE: *FD whole house air cleaners with "D" or later in the 14th digit of the model number must use the BAYACCE-COMM101 kit when connected for 24 volt mode. *FD whole house air cleaners with "A", "B", or "C" in the 14th digit of the model number must use the BAYACCECOMM101 kit when connected for 24 volt or communicating modes. See the BAYACCECOMM101 Installer's Guide for field wiring.

Make wiring connections to the unit as indicated on following field wiring diagrams. As with all gas appliances using electrical power, this furnace shall be connected into a permanently live electric circuit. It is recommended that it be provided with a separate "circuit protection device" electric circuit. The furnace must be electrically grounded in accordance with local codes or in the absence of local codes with the National Electrical Code, ANSI/NFPA 70 "latest edition" or Canadian Electrical Code, CSA C22.1, if an external electrical source is utilized.

The hot leg of the 120V power supply must be connected to the black power lead as indicated on the wiring diagram. Provision for hooking up an Electronic Air Cleaner and/ or Humidifier is provided on the Integrated Control. *The furnace control is polarity sensitive.*

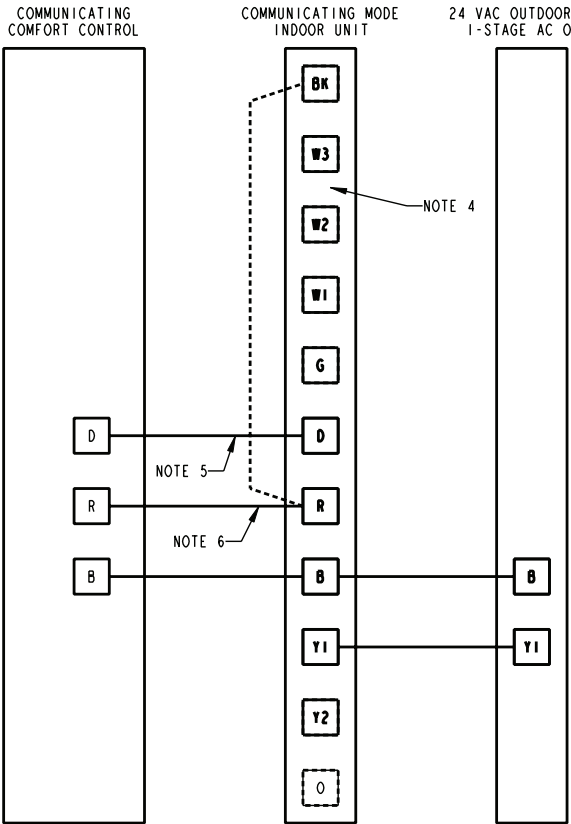
All field supplied wiring must conform with the temperature limitation for Type T wire [63° F (35° C)], when installed in accordance with these instructions and wiring diagrams supplied with the furnace. A disconnecting means must be located within sight from, and readily accessible to, the furnace.

Refer to the SERVICE FACTS literature for unit wiring diagrams in addition to the diagram inside the blower door.



Installer's Guide

Communicating Indoor Unit with Communicating Comfort Control and 24VAC Single Stage Cooling

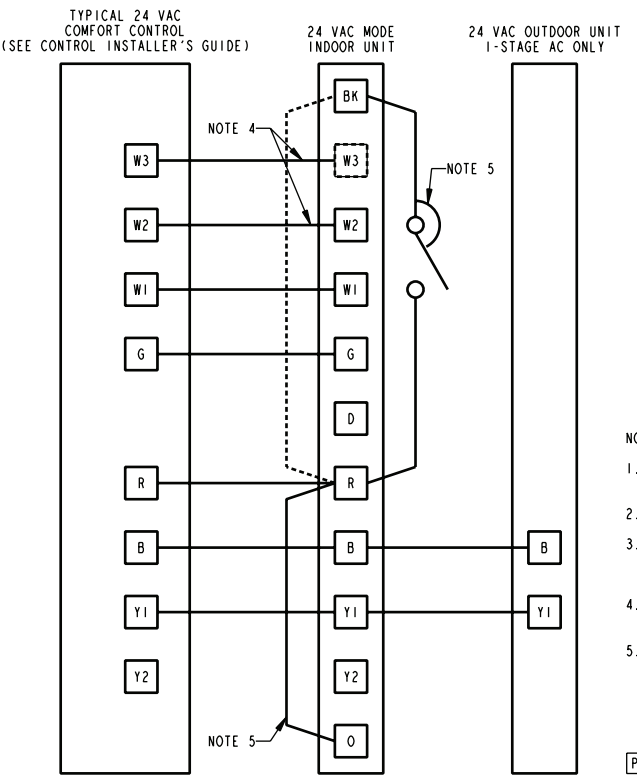


LEGEND
 - - - - - FACTORY WIRING
 ———— FIELD WIRING
 [T] TERMINAL MAY OR MAY NOT BE PRESENT ON UNIT

- NOTES:**
1. SEE WIRING DIAGRAMS IN SERVICE FACTS FOR COMPLETE WIRING INFORMATION.
 2. LOW VOLTAGE WIRING TO BE NO. 18 AWG MINIMUM CONDUCTOR.
 3. BE SURE POWER SUPPLY AGREES WITH EQUIPMENT NAMEPLATE. POWER WIRING AND GROUNDING OF EQUIPMENT MUST COMPLY WITH LOCAL CODES.
 4. IN COMMUNICATING MODE, UNUSED TERMINALS ARE NOT FUNCTIONAL. DO NOT USE.
 5. "D" IS THE DATA LINE. INSTALLER TO SELECT A WIRE COLOR.
 6. TO CONNECT OPTIONAL DEVICES (SUCH AS A FLOAT SWITCH) WIRE IN SERIES FROM INDOOR "R" TO COMFORT CONTROL "R".

PRINTED FROM D802614P02 REV01

24VAC Mode Indoor Unit with 24VAC Comfort Control and 24VAC Single Stage Cooling



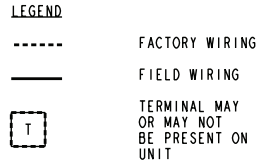
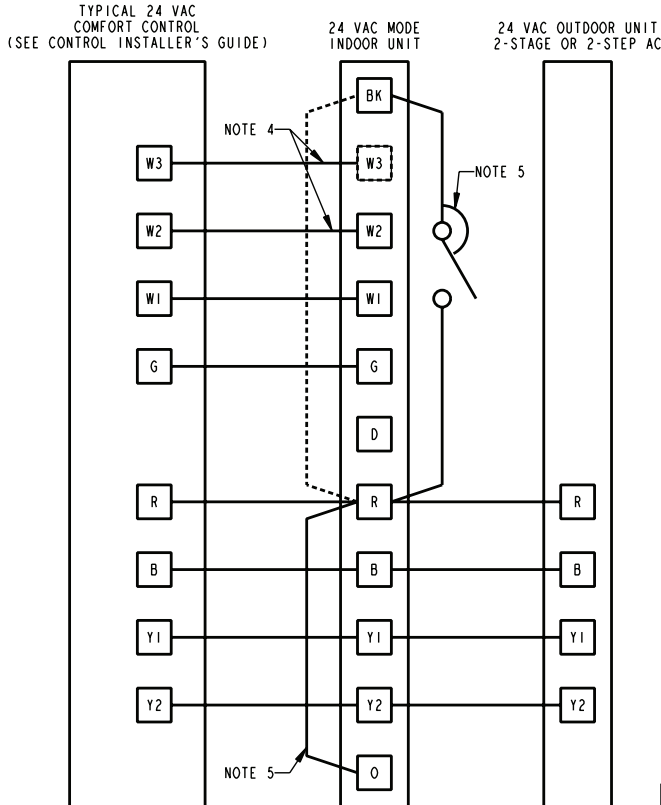
LEGEND
 - - - - - FACTORY WIRING
 ———— FIELD WIRING
 [T] TERMINAL MAY OR MAY NOT BE PRESENT ON UNIT

- NOTES:**
1. SEE WIRING DIAGRAMS IN SERVICE FACTS FOR COMPLETE WIRING INFORMATION.
 2. LOW VOLTAGE WIRING TO BE NO. 18 AWG MINIMUM CONDUCTOR.
 3. BE SURE POWER SUPPLY AGREES WITH EQUIPMENT NAMEPLATE. POWER WIRING AND GROUNDING OF EQUIPMENT MUST COMPLY WITH LOCAL CODES.
 4. OPTIONAL FIELD WIRING. CONNECT ONLY IF THESE HEATING STAGES ARE USED.
 5. CONNECTIONS TO "R", "BK", AND "O" MUST BE MADE AS SHOWN FOR PROPER OPERATION WITH OPTIONAL HUMIDISTAT IN COOLING. FACTORY "R" TO "BK" JUMPER ON TERMINAL BLOCK MUST BE REMOVED ON AIR HANDLING UNITS. FACTORY "R" TO "BK" JUMPER ON FURNACE CONTROL MUST BE CUT ON FURNACES.

PRINTED FROM D802614P03 REV01

NOTE:
 To locate the BK to R jumper on the IFC board, see page 21.

24VAC Mode Indoor Unit with 24VAC Comfort Control and 24VAC 2-Stage or 2-Step Cooling



NOTES:

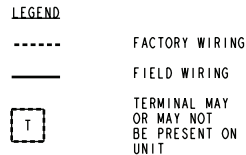
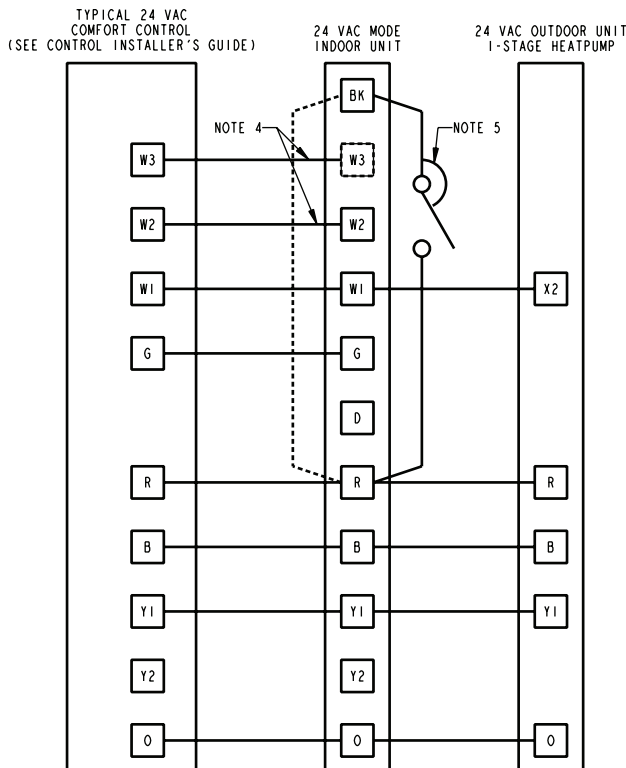
1. SEE WIRING DIAGRAMS IN SERVICE FACTS FOR COMPLETE WIRING INFORMATION.
2. LOW VOLTAGE WIRING TO BE NO. 18 AWG MINIMUM CONDUCTOR.
3. BE SURE POWER SUPPLY AGREES WITH EQUIPMENT NAMEPLATE. POWER WIRING AND GROUNDING OF EQUIPMENT MUST COMPLY WITH LOCAL CODES.
4. OPTIONAL FIELD WIRING. CONNECT ONLY IF THESE HEATING STAGES ARE USED.
5. CONNECTIONS TO "R", "BK", AND "O" MUST BE MADE AS SHOWN FOR PROPER OPERATION WITH OPTIONAL HUMIDISTAT IN COOLING. FACTORY "R" TO "BK" JUMPER ON TERMINAL BLOCK MUST BE REMOVED ON AIR HANDLING UNITS. FACTORY "R" TO "BK" JUMPER ON FURNACE CONTROL MUST BE CUT ON FURNACES.
6. SEE USER INTERFACE 24 VAC MODE SETUP MENU FOR 1ST STAGE CFM OPTIONS.
2-STAGE = 39-64%
2-STEP = 65-80%

PRINTED FROM D802614P04 REV01

NOTE:

To locate the BK to R jumper on the IFC board, see page 21.

24VAC Mode Indoor Unit with 24VAC Comfort Control and 24VAC Single Stage Heat Pump



NOTES:

1. SEE WIRING DIAGRAMS IN SERVICE FACTS FOR COMPLETE WIRING INFORMATION.
2. LOW VOLTAGE WIRING TO BE NO. 18 AWG MINIMUM CONDUCTOR.
3. BE SURE POWER SUPPLY AGREES WITH EQUIPMENT NAMEPLATE. POWER WIRING AND GROUNDING OF EQUIPMENT MUST COMPLY WITH LOCAL CODES.
4. OPTIONAL FIELD WIRING. CONNECT ONLY IF THESE HEATING STAGES ARE USED.
5. CONNECTIONS TO "R", "BK", AND "O" MUST BE MADE AS SHOWN FOR PROPER OPERATION WITH OPTIONAL HUMIDISTAT IN COOLING. FACTORY "R" TO "BK" JUMPER ON TERMINAL BLOCK MUST BE REMOVED ON AIR HANDLING UNITS. FACTORY "R" TO "BK" JUMPER ON FURNACE CONTROL MUST BE CUT ON FURNACES.
6. ON FURNACE APPLICATIONS, COMFORT CONTROL MUST BE DUAL FUEL COMPATIBLE (SEE CONTROL INSTALLERS GUIDE) OR MUST USE TAYPLUS103.

PRINTED FROM D802614P05 REV01

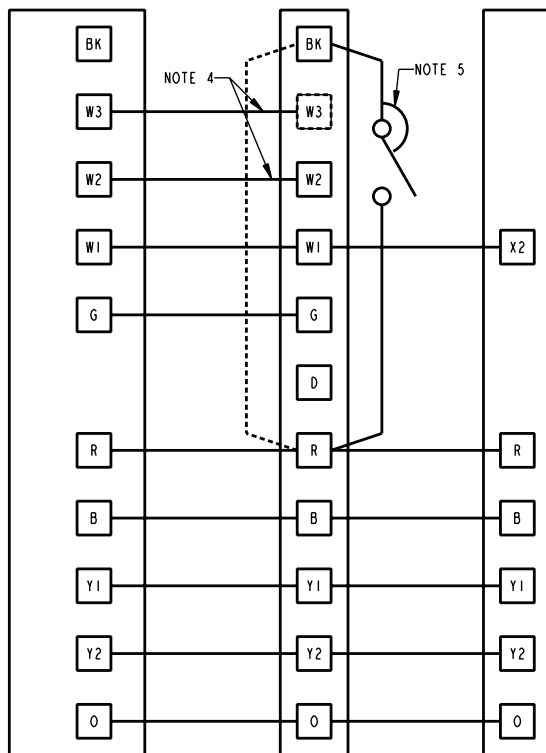
NOTE:

To locate the BK to R jumper on the IFC board, see page 21.

Installer's Guide

24VAC Mode Indoor Unit with 24VAC Comfort Control and 24VAC 2-Stage or 2-Step Heat Pump

TYPICAL 24 VAC COMFORT CONTROL (SEE CONTROL INSTALLER'S GUIDE) 24 VAC MODE INDOOR UNIT 24 VAC OUTDOOR UNIT 2-STAGE OR 2-STEP HP



LEGEND

- FACTORY WIRING
- FIELD WIRING
- T TERMINAL MAY OR MAY NOT BE PRESENT ON UNIT

NOTES:

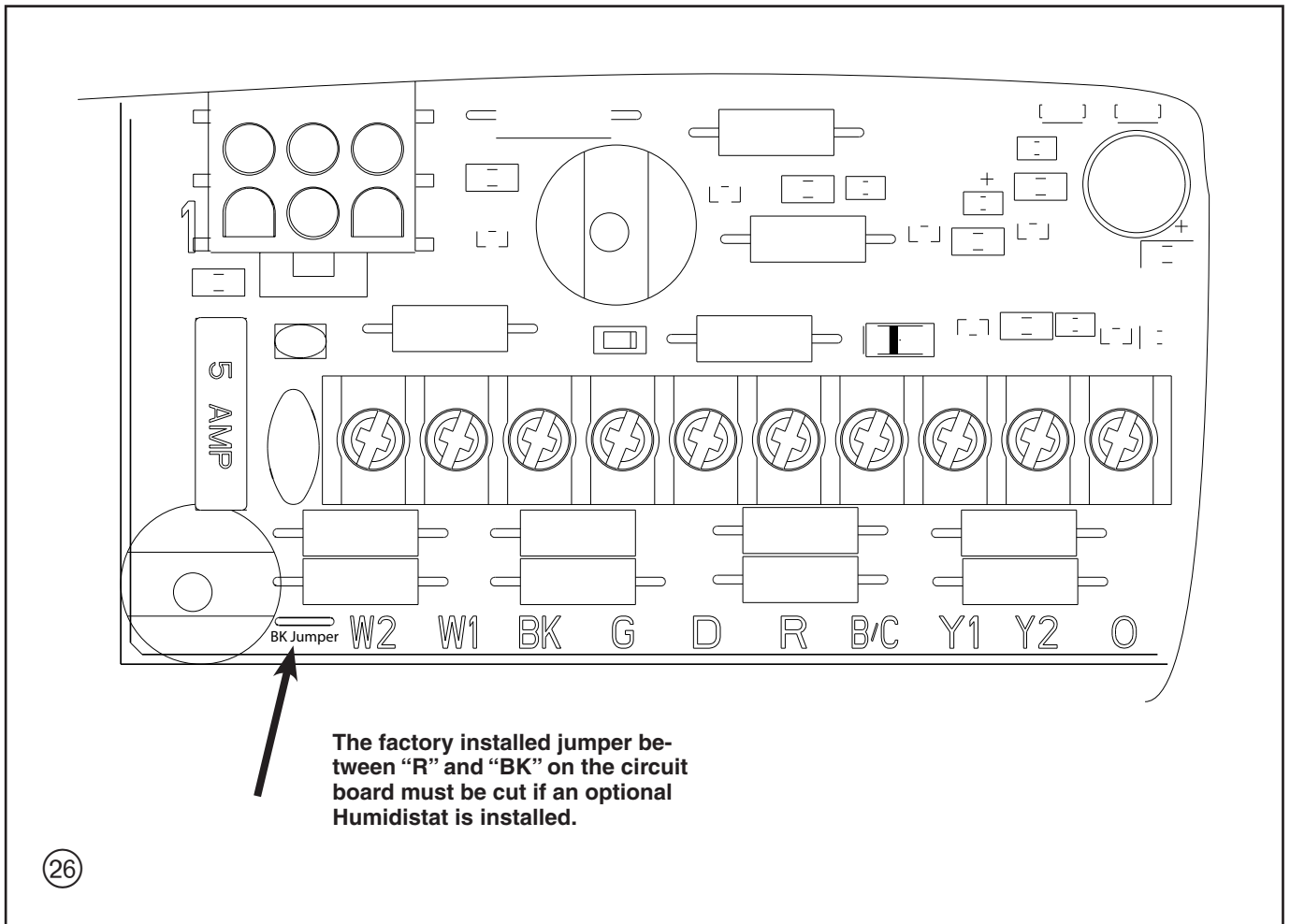
1. SEE WIRING DIAGRAMS IN SERVICE FACTS FOR COMPLETE WIRING INFORMATION.
2. LOW VOLTAGE WIRING TO BE NO. 18 AWG MINIMUM CONDUCTOR.
3. BE SURE POWER SUPPLY AGREES WITH EQUIPMENT NAMEPLATE. POWER WIRING AND GROUNDING OF EQUIPMENT MUST COMPLY WITH LOCAL CODES.
4. OPTIONAL FIELD WIRING. CONNECT ONLY IF THESE HEATING STAGES ARE USED.
5. CONNECTIONS TO "R", "BK", AND "O" MUST BE MADE AS SHOWN FOR PROPER OPERATION WITH OPTIONAL HUMIDISTAT IN COOLING. FACTORY "R" TO "BK" JUMPER ON TERMINAL BLOCK MUST BE REMOVED ON AIR HANDLING UNITS. FACTORY "R" TO "BK" JUMPER ON FURNACE CONTROL MUST BE CUT ON FURNACES.
6. ON FURNACE APPLICATIONS, COMFORT CONTROL MUST BE DUAL FUEL COMPATIBLE (SEE CONTROL INSTALLERS GUIDE) OR MUST USE TAYPLUS103.
7. SEE USER INTERFACE 24 VAC MODE SETUP MENU FOR 1ST STAGE CFM OPTIONS.
2-STAGE = 39-64%
2-STEP = 65-80%

PRINTED FROM D802614P06 REV01

NOTE:

To locate the BK to R jumper on the IFC board, see page 21.

Wiring Notes:



HUMIDISTAT HOOKUP - 24 V Mode ONLY

If an optional humidistat for humidity control in cooling is used, the factory installed "BK Jumper" must be cut.

The BK Jumper must also be cut if a multi-zone controller is connected or *CONT402 is installed and using the BK enabled feature.

See the 24VAC field hookup wiring diagrams for more information.

Installer's Guide

⚠ WARNING

FIRE OR EXPLOSION HAZARD

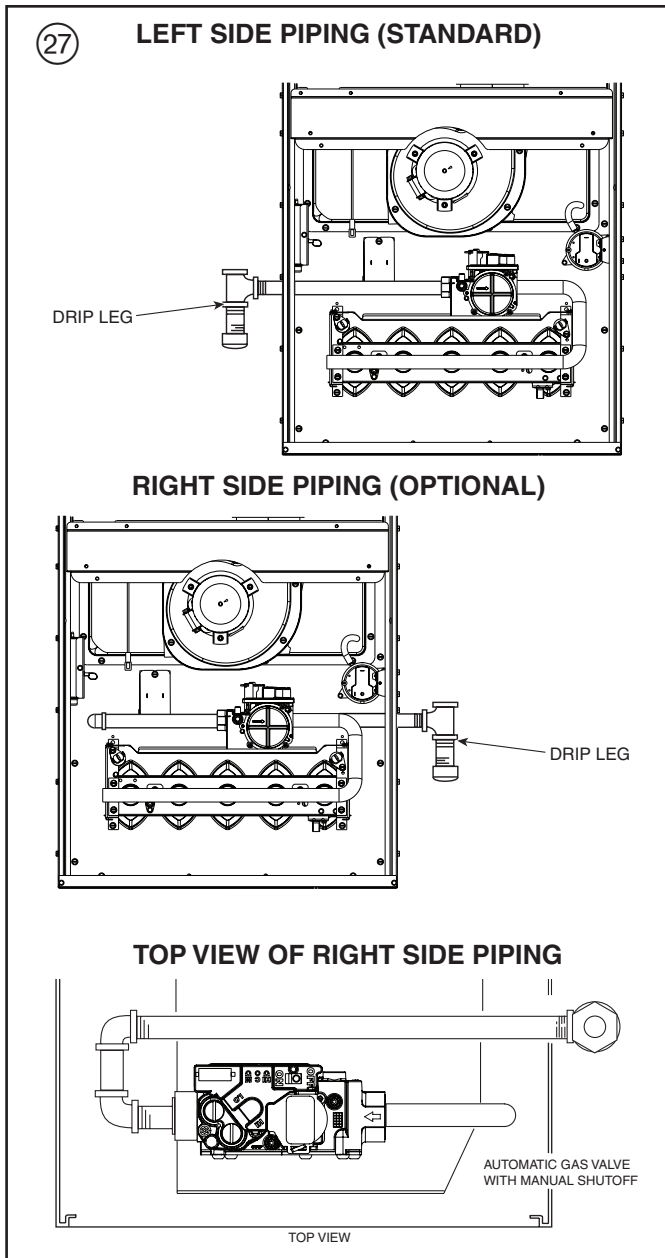
Failure to follow the safety warnings exactly could result in serious injury, death or property damage.

Never test for gas leaks with an open flame. Use a commercially available soap solution made specifically for the detection of leaks to check all connections. A fire or explosion may result causing property damage, personal injury, or loss of life.

⚠ WARNING

EXPLOSION HAZARD

DO NOT STORE COMBUSTIBLE MATERIALS, GASOLINE OR OTHER FLAMMABLE VAPORS OR LIQUIDS NEAR THE UNIT. FAILURE TO FOLLOW WARNING MAY RESULT IN PROPERTY DAMAGE, PERSONAL INJURY, OR DEATH.



GAS PIPING

⚠ WARNING

FIRE - EXPLOSION HAZARD

DO NOT RUN FLEXIBLE GAS LINE THROUGH THE FURNACE CABINET WALL. FAILURE TO FOLLOW THIS WARNING COULD RESULT IN PROPERTY DAMAGE, SERIOUS PERSONAL INJURY, OR DEATH.

This unit is shipped standard for left side installation of gas piping. A piping cutout is also provided in the right side for an alternate piping arrangement. The installation of piping shall be in accordance with piping codes and the regulations of the local gas company. Pipe joint compound must be resistant to the chemical reaction with liquefied-petroleum gases. Refer to piping Table 9 for delivery sizes.

NOTE: Refer to local codes and the National Fuel Gas Code, current edition, for gas pipe requirements.

The furnace and its individual shut-off valve must be disconnected from the gas supply piping system during any pressure testing of that system at test pressures in excess of 1/2 psig.

The furnace must be isolated from the gas supply piping by closing its individual manual shut-off valve during any pressure testing of the gas supply piping system at test pressures equal to or less than 1/2 psig.

⚠ CAUTION

Use a backup wrench on the gas valve when installing gas piping to prevent damage to the gas valve and manifold assembly.

NOTE:

Maximum pressure to the gas valve for natural gas is 13.8" W.C. Minimum pressure is 5.0" W.C. Maximum pressure to the gas valve for propane is 13.8" W.C. Minimum pressure is 11.0" W.C.

All gas fittings must be checked for leaks using a soapy solution before lighting the furnace. DO NOT CHECK WITH AN OPEN FLAME!

The following warning complies with State of California law, Proposition 65.

⚠ WARNING

Hazardous Gases!

Exposure to fuel substances or by-products of incomplete fuel combustion is believed by the state of California to cause cancer, birth defects, or other reproductive harm.

COMBUSTION AND INPUT CHECK

1. Make sure all gas appliances are off except the furnace.
2. Clock the gas meter with the furnace operating (determine the dial rating of the meter) for one revolution.
3. Match the "Sec" column in the gas flow (in cfh) Table 13 with the time clocked.
4. Read the "Flow" column opposite the number of seconds clocked.
5. Use the following factors if necessary:

For 1 Cu. Ft. Dial Gas Flow CFH =
Chart Flow Reading ÷ 2

For 1/2 Cu Ft. Dial Gas Flow CFH =
Chart Flow Reading ÷ 4

For 5 Cu. Ft. Dial Gas Flow CFH =
10X Chart Flow Reading ÷ 4

- Multiply the final figure by the heating value of the gas obtained from the utility company and compare to the nameplate rating. This must not exceed the nameplate rating.

GAS VALVE ADJUSTMENT

To adjust the manifold outlet pressure:

- Turn off all electrical power to the system
- Attach a manifold pressure gauge with flexible tubing to the boss marked "OUT P" on White-Rodgers gas valve model 36J or 36G. See Figure 28 for White-Rodgers gas valve model 36J. See Figure 29 for model 36G.
- Loosen (Do Not Remove) the pressure tap test set screw one turn with 3/32" hex wrench.
 - The Pressure Tap Adjustment Kit (KIT07611) contains a 3/32" hex wrench, a 5/16" hose and a connector and can be ordered through Global Parts.
- Turn on system power and energize valve.
- Adjust 1st stage gas heat by removing the low (LO) adjustment regulator cover screw.
 - To increase outlet pressure, turn the regulator adjustment screw clockwise.
 - To decrease outlet pressure, turn the regulator adjustment screw counterclockwise.
 - Adjust regulator until pressure shown on manometer matches the pressure specified in Table 9.
 - The input should be more than the nameplate rating and no less than 93% of the nameplate rating, unless the unit is being de-rated for high altitude.
 - Replace and tighten the HI adjustment cover screw.
- Adjust 2nd stage gas heat by removing the high (HI) adjustment regulator cover screw.
 - To increase outlet pressure, turn the regulator adjustment screw clockwise.
 - To decrease outlet pressure, turn the regulator adjustment screw counterclockwise.
 - Adjust regulator until pressure shown on manometer matches the pressure specified in Table 9.
 - The input should be more than the nameplate rating and no less than 93% of the nameplate rating, unless the unit is being de-rated for high altitude.
 - Replace and tighten the HI adjustment cover screw.
- Cycle the valve several times to verify regulator setting.
 - Repeat the steps 5-7 if needed.
- Turn off all electrical power to the system.
- Remove the manometer and tubing and tighten the pressure tap screws.
- Using a leak detection solution of soap suds, check for leaks at the pressure outlet boss and pressure tap test screw.
- Turn on system power and check operation of the unit.

⚠ CAUTION

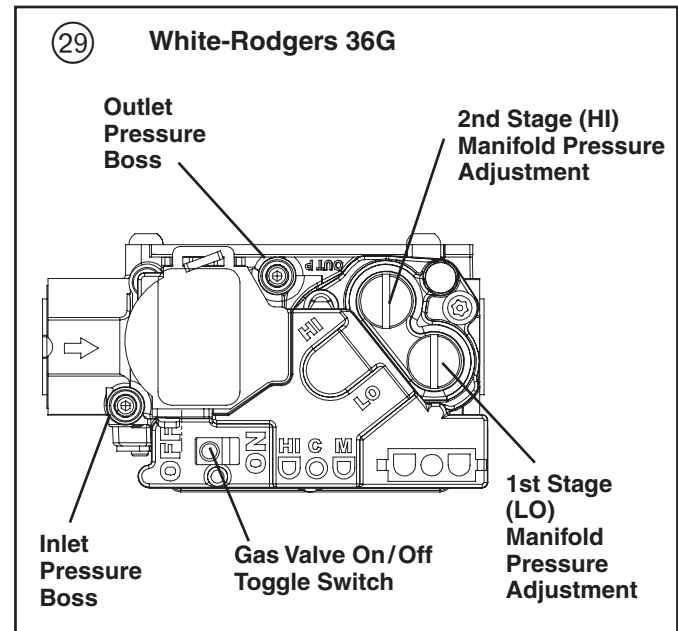
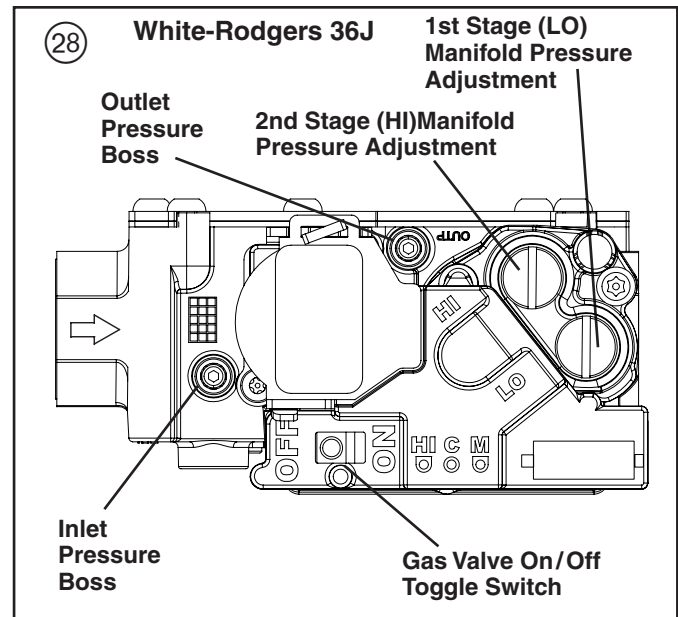
Tighten all pressure test screws loosened when adjusting gas pressure. Replace both regulator cover screws. Leak check the fittings before placing the furnace into regular service. Failure to follow this warning could result in fire, explosion, or property damage.

For LP gases, the final manifold pressure setting shall be 10.5" W.C. with an input of no more than the nameplate rating and no less than 93% of the nameplate rating, unless the unit is derated for altitude.

Table 11 lists the main burner orifices shipped with the furnace. If a change of orifices is required to correct the input rate, refer to Table 12.

TABLE 9

FINAL MANIFOLD PRESSURE SETTINGS (inches w.c.)		
FUEL	2nd Stage Max.	1st Stage Max.
NATURAL GAS	3.5" W.C.	1.7" W.C.
LP GAS	10.5" W.C.	6.0" W.C.



Installer's Guide

**TABLE 10
NATURAL GAS ONLY**

TABLE OF CUBIC FEET PER HOUR OF GAS FOR VARIOUS PIPE SIZES AND LENGTHS							
PIPE SIZE	LENGTH OF PIPE						
	10	20	30	40	50	60	70
1/2	132	92	73	63	56	50	46
3/4	278	190	152	130	115	105	96
1	520	350	285	245	215	195	180
1-1/4	1050	730	590	520	440	400	370

This table is based on pressure drop of 0.3 inch W.C. and 0.6 SP.GR. gas

**TABLE 11
ORIFICE SIZES**

INPUT RATING BTUH	NUMBER OF BURNERS	MAIN BURNER ORIFICE DRILL SIZE	
		NAT. GAS	LP GAS
60,000	3	45	56
80,000	4	45	56
100,000	5	45	56
120,000	6	45	56
140,000	7	45	56

**TABLE 12
PART NUMBERS FOR REPLACEMENT ORIFICES**

DRILL SIZE	PART NUMBER	DRILL SIZE	PART NUMBER
44	ORF00501		
45	ORF00644	54	ORF00555
46	ORF00909	55	ORF00693
47	ORF00910	56	ORF00907
48	ORF01099	57	ORF00908
49	ORF00503	58	ORF01338
50	ORF00493	59	ORF01339

HIGH ALTITUDE DERATE

Input ratings (BTUH) of these furnaces are based on sea level operation and should not be changed at elevations up to 2,000 ft.

If the installation is 2,000 ft. or above, the furnace input rate (BTUH) shall be reduced 4% for each 1,000 ft. above sea level. The furnace input rate shall be checked by clocking the gas flow rate (CFH) and multiplying by the heating value obtained from the local utility supplier for the gas being delivered at the installed altitude. Input rate changes can be made by adjusting the manifold pressure (min 3.0 - max 3.7 in. W.C. - Natural Gas) or changing orifices (orifice change may not always be required). If the desired input rate cannot be achieved with a change in manifold pressure, then the orifices must be changed. LP installations will require an orifice change.

Important:

Reinstall the propane orifices to the same depth as the orifices supplied with the equipment.

See Table 14 for help in selecting orifices if orifice change is required. Furnace input rate and temperature rise should be checked again after changing orifices to confirm the proper rate for the altitude.

Installations above 4,000 feet may require a pressure switch change. If required, use the BAYHALT*** Kit (High Altitude Accessory Kit) listed in PRODUCT DATA.

Installation of this furnace at altitudes above 2,000 ft. (610m) shall be in accordance with the local codes, or in the absence of local codes, the *National Fuel Gas Code, ANSI Z223.1/ NFPA 54* or *National Standard of Canada, Natural Gas and Propane Installation*

Code, CSA 149.1. Installation of this furnace at altitudes above 2,000 ft. (610m) shall be made in accordance with the listed high Altitude Conversion Kit available with this furnace.

TABLE 13

GAS FLOW IN CUBIC FEET PER HOUR							
2 CUBIC FOOT DIAL							
SEC.	FLOW	SEC.	FLOW	SEC.	FLOW	SEC.	FLOW
8	900	29	248	50	144	82	88
9	800	30	240	51	141	84	86
10	720	31	232	52	138	86	84
11	655	32	225	53	136	88	82
12	600	33	218	54	133	90	80
13	555	34	212	55	131	92	78
14	514	35	206	56	129	94	76
15	480	36	200	57	126	96	75
16	450	37	195	58	124	98	73
17	424	38	189	59	122	100	72
18	400	39	185	60	120	104	69
19	379	40	180	62	116	108	67
20	360	41	176	64	112	112	64
21	343	42	172	66	109	116	62
22	327	43	167	68	106	120	60
23	313	44	164	70	103	124	58
24	300	45	160	72	100	128	56
25	288	46	157	74	97	132	54
26	277	47	153	76	95	136	53
27	267	48	150	78	92	140	51
28	257	49	147	80	90	144	50

TABLE 14

Orifice Twist Drill Size If Installed At Sea Level	ALTITUDE ABOVE SEA LEVEL and Orifice Required At Other Elevations								
	2000	3000	4000	5000	6000	7000	8000	9000	10000
42	42	43	43	43	44	44	45	46	47
43	44	44	44	45	45	46	47	47	48
44	45	45	45	46	47	47	48	48	50
45	46	47	47	47	48	48	49	49	50
46	47	47	47	48	48	49	49	50	51
47	48	48	49	49	49	50	50	51	52
54	54	55	55	55	55	55	56	56	56
55	55	55	55	56	56	56	56	56	57
56	56	56	57	57	57	58	59	59	60
57	58	59	59	60	60	61	62	63	63
58	59	60	60	61	62	62	63	63	64

From National Fuel Gas Code - Table F-4

START UP AND ADJUSTMENT

WARNING

SAFETY WARNING

DO NOT attempt to manually light the burner. Failure to follow this warning could result in property damage, personal injury or death.

PRELIMINARY INSPECTIONS

With gas and electrical power “OFF”

1. Duct connections are properly sealed
2. Filters are in place
3. Venting is properly assembled
4. Blower door is in place

Turn knob on main gas valve within the unit to the “OFF” position. Turn the external gas valve to “ON”. Purge the air from the gas lines. After purging, check all gas connections for leaks with a soapy solution — **DO NOT CHECK WITH AN OPEN FLAME.**

Allow 5 minutes for any gas that might have escaped to dissipate. LP Gas, being heavier than air, may require forced ventilation. Turn the knob on the gas valve in the unit to the “ON” position.

LIGHTING INSTRUCTIONS

WARNING

FIRE OR EXPLOSION HAZARD

Failure to follow the safety warnings exactly could result in serious injury, death or property damage.

Never test for gas leaks with an open flame. Use a commercially available soap solution made specifically for the detection of leaks to check all connections. A fire or explosion may result causing property damage, personal injury, or loss of life.

CAUTION

Whenever your house is to be vacant, arrange to have someone inspect your house for proper temperature. This is very important during freezing weather. If for any reason your furnace should fail to operate damage could result, such as frozen water pipes.

Lighting instructions appear on each unit. Each installation must be checked out at the time of initial start up to insure proper operation of all components. Check out should include putting the unit through one complete cycle as outlined below.

Turn on the main electrical supply and set the thermostat above the indicated temperature. The ignitor will automatically heat, then the gas valve is energized to permit the flow of gas to the burners. After ignition and flame is established, the flame control module monitors the flame and supplies power to the gas valve until the thermostat is satisfied.

TO SHUT OFF

For complete shutdown: Move the control switch on the main gas valve to the “OFF” position (See Figures 28 and 29). Disconnect the electrical supply to the unit.

CAUTION

If complete shutdown is done during the cold weather months, provisions must be taken to prevent freeze-up of all water pipes and water receptacles.

Installer's Guide

SERVICE PROCEDURE TO ACCESS USER INTERFACE FOR 2-STAGE FURNACE

This procedure should only be performed by trained service personnel.

⚠ WARNING

**ELECTRICAL SHOCK HAZARD
DO NOT BYPASS THE DOOR SWITCH BY ANY
PERMANENT MEANS.
FAILURE TO FOLLOW WARNING COULD RESULT IN
SERIOUS PERSONAL INJURY OR DEATH.**

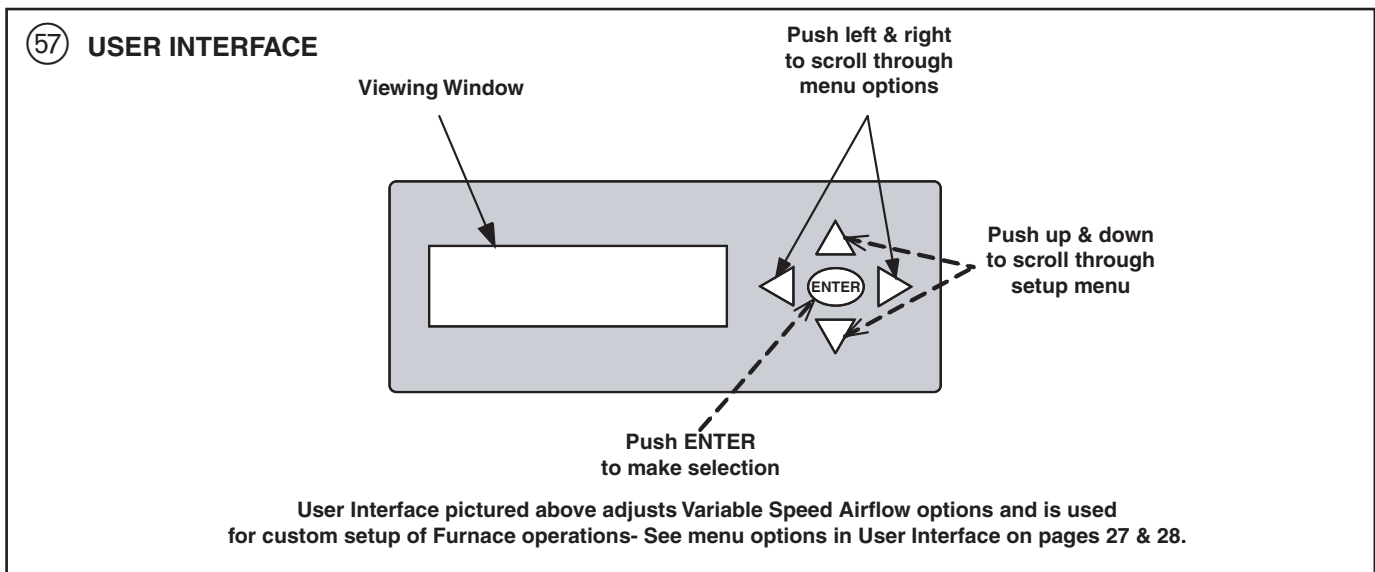
⚠ WARNING

**ELECTRICAL SHOCK HAZARD
DO NOT TOUCH ANY COMPONENTS OTHER THAN THE
DISPLAY ASSEMBLY AND THE DOOR SWITCH DURING
THIS PROCEDURE.
FAILURE TO FOLLOW WARNING COULD RESULT IN
SERIOUS PERSONAL INJURY OR DEATH.**

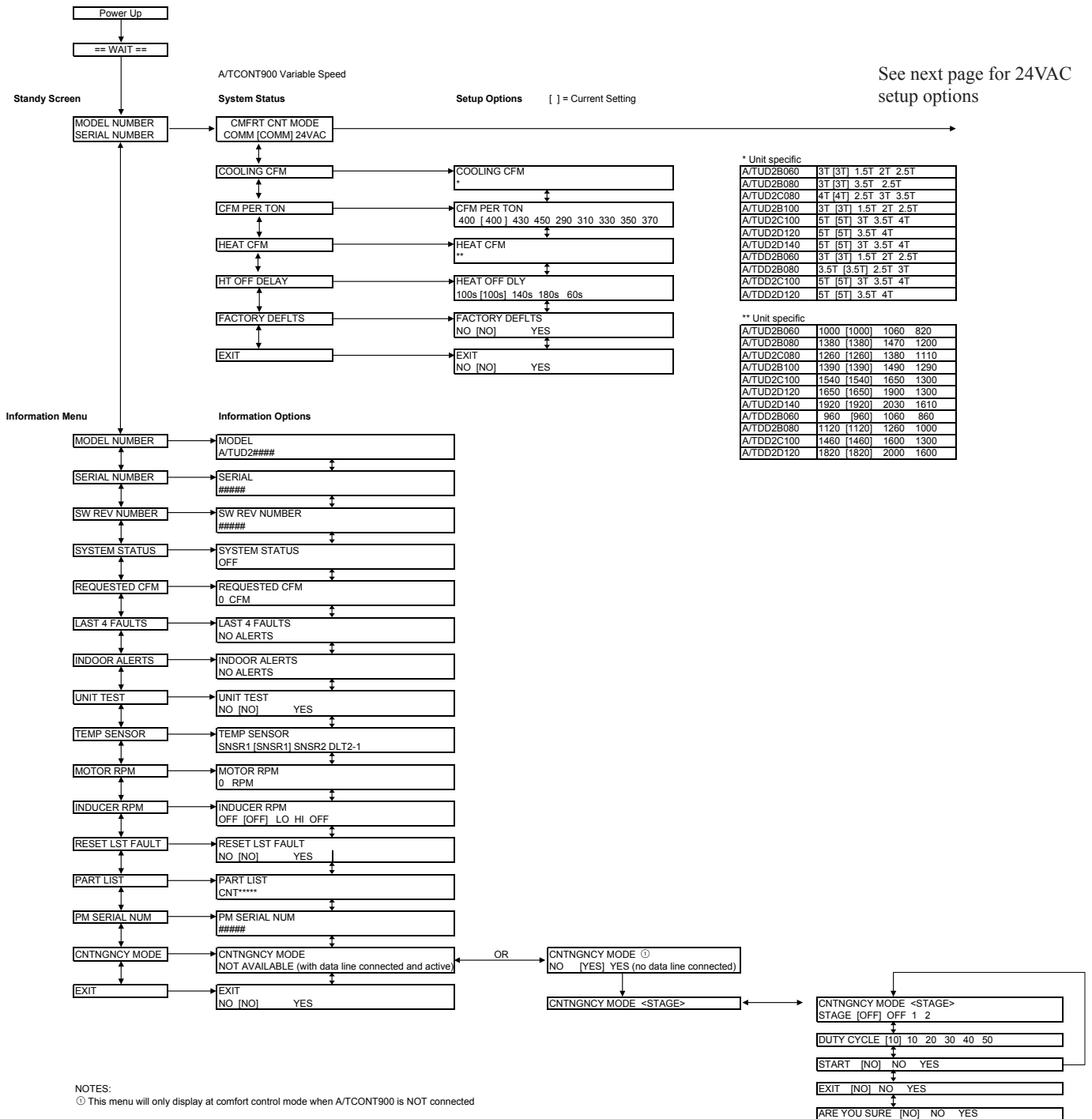
1. Remove Blower Door panel by a) turning the two door latches on the upflow furnace or b) removing the 5/16" screws on the downflow furnace.
2. Lower door panel and remove from service access area.
3. Depress the door switch (there must be power to the control system for the display assembly to function) and keep the door switch depressed during programming.
4. Move through the Display Assembly menu using the arrow buttons.
5. The User Interface menu starting on page 27 is a guide to the menu options.
6. When programming is complete release Door Switch and replace the Blower Door.

NOTE:

If power is lost during programming, all changes made will be saved.



USER INTERFACE MENU - COMMUNICATING SYSTEM



Installer's Guide

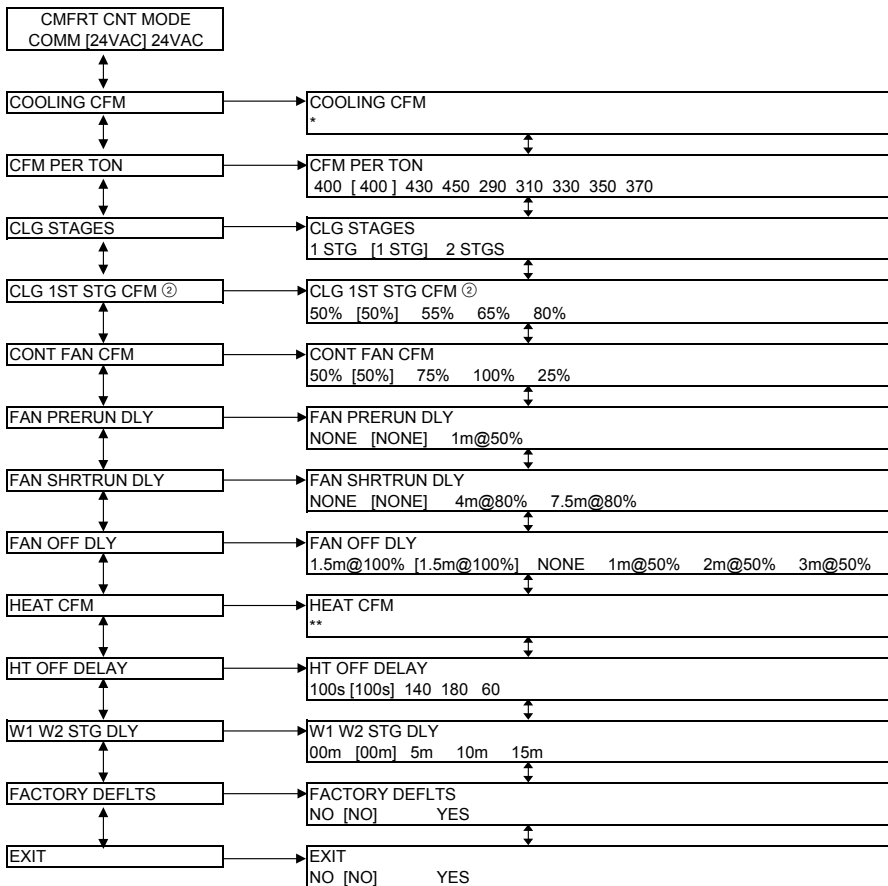
USER INTERFACE MENU - 24V SYSTEM

24V Variable Speed

System Status

Setup Options

[] = Current Setting



* Unit specific

A/TUD2B060	3T [3T]	1.5T	2T	2.5T
A/TUD2B080	3T [3T]	3.5T	2.5T	
A/TUD2C080	4T [4T]	2.5T	3T	3.5T
A/TUD2B100	3T [3T]	1.5T	2T	2.5T
A/TUD2C100	5T [5T]	3T	3.5T	4T
A/TUD2D120	5T [5T]	3.5T	4T	
A/TUD2D140	5T [5T]	3T	3.5T	4T
A/TDD2B060	3T [3T]	1.5T	2T	2.5T
A/TDD2B080	3.5T	[3.5T]	2.5T	3T
A/TDD2C100	5T [5T]	3T	3.5T	4T
A/TDD2D120	5T [5T]	3.5T	4T	

** Unit specific

A/TUD2B060	1000 [1000]	1060	820	
A/TUD2B080	1380 [1380]	1470	1200	
A/TUD2C080	1260 [1260]	1380	1110	
A/TUD2B100	1390 [1390]	1490	1290	
A/TUD2C100	1540 [1540]	1650	1300	
A/TUD2D120	1650 [1650]	1900	1300	
A/TUD2D140	1920 [1920]	2030	1610	
A/TDD2B060	960 [960]	1060	860	
A/TDD2B080	1120 [1120]	1260	1000	
A/TDD2C100	1460 [1460]	1600	1300	
A/TDD2D120	1820 [1820]	2000	1600	

NOTES:

② This menu will only display at the comfort control mode when 2 STGS is chosen in previous menu.

SEQUENCE OF OPERATION

(Communicating Mode)

Comfort control call for 1st stage heat (A/TCONT900):

The comfort control signals the control board (IFC) to run its self-check routine. After the control has verified that all safeties are closed and the 1st stage pressure switch contacts are open, the draft inducer will be energized on high speed. After the draft inducer comes up to speed, the 1st stage pressure switch contacts will close, the draft inducer switches to low speed, and the igniter warm-up period will begin. The igniter will heat for approximately 20 seconds; the 1st stage gas valve will be energized to permit gas flow to the burners. The flame sensor confirms that ignition has been achieved within the 4 second ignition trial period.

As the flame sensor confirms that ignition has been achieved, the delay to fan ON period begins timing and after approximately 45 seconds the indoor blower motor will be energized at the 1st stage speed and will continue to run during the heating cycle.

Comfort control call for 2nd stage after 1st stage:

The comfort control signals a call for 2nd stage heat. After a 30 second delay, the draft inducer will be energized on high speed. The 2nd stage pressure contacts will close allowing the 2nd stage gas valve to be energized. The indoor blower motor will ramp up to 2nd stage heating airflow.

2nd stage satisfied, 1st stage still called for:

The comfort control signals that 2nd stage heating requirements have been satisfied. The draft inducer motor is reduced to low speed allowing the 2nd stage pressure switch to open. The 2nd stage gas valve is de-energized allowing 1st stage heating operation. After approximately 30 seconds, the indoor blower motor is reduced to 1st stage heating airflow.

1st stage satisfied:

The comfort control signals that the 1st stage heating requirements have been satisfied. The 1st stage gas valve will be de-energized and gas flow will cease. The draft inducer motor will be de-energized after a 5 second post purge. The indoor blower motor will be de-energized after the fan off delay period has ended. (The indoor blower heat fan off delay is field selectable and can be adjusted using the User Interface menu. It is factory set at 100 seconds but can be set to 60, 140, or 180 seconds)

Indoor Blower motor operation thermostat fan switch "ON" (Communicating Mode)

The communicating comfort control signals a continuous fan call. The factory setting is 50% of the cooling cfm selected but can be adjusted from 25% - 100% through the Installer Setup menu on the communicating comfort control. If the outdoor unit is a 2 stage system, the factory setting is 50% of the 2nd stage cooling cfm. If the outdoor unit is a 24 volt single stage cooling system, the factory setting is 50% of the cooling cfm.

NOTE: If the actual relative humidity (RH) is at or below the set-point, the fan will run until the continuous fan call is removed or the actual RH exceeds the set-point. If the actual RH is above the set-point, the fan will not turn on.

See the communicating comfort control Installer's Guide for additional information.

Indoor Blower Timing:

The furnace control module (IFC) controls the variable speed motor in the heating mode. The fan "ON" time is set at 45 seconds and is not field selectable. The blower "OFF" delay is factory set at 100 seconds and can be adjusted to 60, 140, or 180 seconds.

(24v Mode)

Thermostat call for 1st stage heat (2 stage heating thermostat):

R and W1 thermostat contacts close signaling the control board (IFC) to run its self-check routine. After the control has verified that all safeties are closed and the 1st stage pressure switch contacts are

open, the draft inducer will be energized on high speed.

After the draft inducer comes up to speed, the 1st stage pressure switch contacts will close, the draft inducer switches to low speed, and the igniter warm-up period will begin. The igniter will heat for approximately 20 seconds; the 1st stage gas valve will be energized to permit gas flow to the burners. The flame sensor confirms that ignition has been achieved within the 4 second ignition trial period. As the flame sensor confirms that ignition has been achieved, the delay to fan ON period begins timing and after approximately 45 seconds the indoor blower motor will be energized at the 1st stage speed and will continue to run during the heating cycle.

Thermostat call for 2nd stage after 1st stage:

R and W2 thermostat contacts close signaling a call for 2nd stage heat. After a 30 second delay, the draft inducer will be energized on high speed. The 2nd stage pressure contacts will close allowing the 2nd stage gas valve to be energized. The indoor blower motor will ramp up to 2nd stage heating airflow.

2nd stage satisfied, 1st stage still called for:

R and W2 thermostat contacts open signaling that 2nd stage heating requirements have been satisfied. The draft inducer motor is reduced to low speed allowing the 2nd stage pressure switch to open. The 2nd stage gas valve is de-energized allowing 1st stage heating operation. After approximately 30 seconds, the indoor blower motor is reduced to 1st stage heating airflow.

1st stage satisfied:

R and W1 thermostat contacts open signaling that the 1st stage heating requirements have been satisfied. The 1st stage gas valve will be de-energized and gas flow will cease. The draft inducer motor will be de-energized after approximately a 5 second post purge. The indoor blower motor will be de-energized after the fan off delay period has ended. (The indoor blower heat fan off delay is field selectable and can be adjusted using the User Interface menu. It is factory set at 100 seconds but can be set to 60, 140, or 180 seconds)

Thermostat call for heat (1 stage heating thermostat)

W1 and W2 must be jumpered at the control board. R and W thermostat contacts close signaling a call for heat. The control board (IFC) runs its self check routine. After the control has verified that all safeties are closed and the 1st stage pressure switch contacts are open, the draft inducer will be energized on high speed. After the draft inducer comes up to speed, the 1st stage pressure switch contacts will close, the draft inducer switches to low speed, and the igniter warm-up period will begin. The igniter will heat for approximately 20 seconds; the 1st stage gas valve will be energized to permit gas flow to the burners. The flame sensor confirms that ignition has been achieved within the 4 second ignition trial period.

As the flame sensor confirms that ignition has been achieved, the delay to fan ON period begins timing and after approximately 45 seconds the indoor blower motor will be energized at the 2nd stage speed heating airflow.

At the same time, the 2nd stage draft inducer is energized and the 2nd stage pressure switch then closes. The 2nd stage gas valve is then energized. (The inter-stage delay is field selectable and can be adjusted through the User Interface menu. It is factory set at 0 minutes but can be adjusted to 5, 10, or 15 minutes.) This option can help optimize the furnace to try to satisfy the heating requirement during low heating load conditions.

Thermostat satisfied:

R and W thermostat contacts open signaling the heating requirements have been satisfied. The gas valve is de-energized and after a 5 second draft inducer post purge, the draft inducer is de-energized. If the inter-stage delay was met and the furnace was operating on 2nd stage heat, the indoor motor will operate at 2nd stage heating airflow for the duration of the 2nd stage heating fan off delay.

Installer's Guide

If the furnace was operating on 1st stage heat, the indoor motor will operate at 1st stage heating airflow for the duration of the 1st stage heating fan off delay.

Indoor Blower motor operation thermostat fan switch "ON" (24V Mode)

R and G comfort control contacts close signaling a continuous fan call. The continuous fan cfm is field selectable and can be adjusted through the User Interface menu. The factory setting is 50% of the cooling cfm selected but can be set at 25%, 50%, 75%, or 100%. If the system has a 2 stage outdoor unit, the setting is 50% of the 2nd stage cooling cfm.

Indoor Blower Timing:

The furnace control module (IFC) controls the variable speed motor in the heating mode. The fan "ON" time is set at 45 seconds and is not field selectable. The blower "OFF" delay is factory set at 100 seconds and can be adjusted.

PERSONALITY MODULE

The Personality Module is a removable memory device, on which is stored model specific data required for proper furnace operation. The Personality Module is tethered to the unit and must remain with the furnace at all times. The Personality module must remain plugged into the furnace IFC.

UNIT TEST MODE

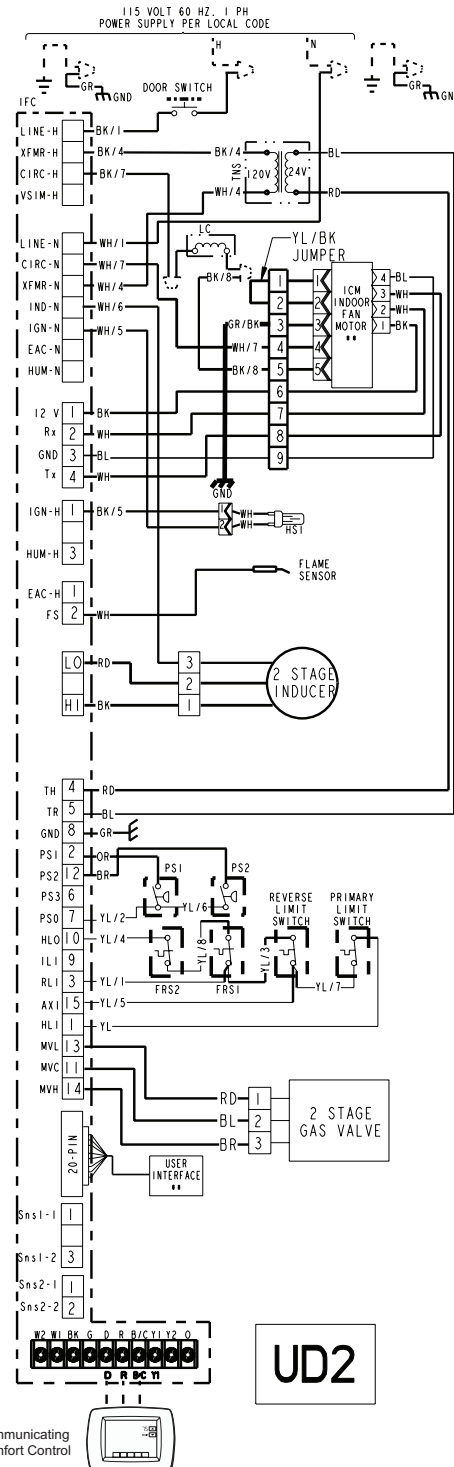
This furnace is equipped with a Unit Test mode that can be accessed through the User Interface. See the User Interface menu on how to enter this option. The test mode can be performed in communicating or 24vac modes.

In communicating or 24vac modes, the unit test can only be entered when there is not a heat, cool, continuous fan, or circulation demands. If a heat demand occurs when the unit test is running, the test mode will be aborted and the normal heating sequence will be started. If a cooling, circulator, or continuous fan demand occurs when the unit test is running, the test mode will be completed before the other demand is started.

All safety functions will be operable during the Unit Test function. Any safety device that is triggered during the test mode will terminate the test and the fault will be reported in the Indoor Alerts and the Last Four Faults sections of the user interface.

When the Unit Test option is activated, the unit will start the indoor blower and energize the Y1 output. After approximately 10 seconds, the indoor blower and Y1 will turn off. Next, the furnace will begin the ignition sequence. After the flame has been sensed, the 45 second fan on delay will be initiated. After the 45 second period, the indoor blower is energized for 10 seconds in 1st stage heating airflow. The furnace will then transition to 2nd stage gas valve and blower operation for 10 seconds. The furnace will then transition to off, running the normal post-purge and the normal heat off delays.

If a button on the User Interface is pressed during the Unit Test mode, the test will be terminated. The furnace will exit the Unit Test mode and return to normal operation, automatically, after 180 seconds of operation in Unit Test mode.



The information to be displayed on the user interface during Unit Test mode is:

- On start of the Unit Test sequence, the words "UNIT TEST" will appear on the first line.
- "Y1 ON FAN ON" will appear on the second line during the first test.
- When the unit lights in first stage heating, "STAGE 1" will appear on the second line.
- When the unit transitions to second stage, "STAGE 2" will appear on the second line.
- When the unit transitions to the heat off delay, the user interface will return to the standby screen. If Unit Test mode operation is terminated for any reason, the user interface will return to the standby screen.

STAND ALONE OPERATION (CONTINGENCY MODE)

The Contingency Mode allows the installer to set the equipment to operate in an ON/ OFF Duty Cycle mode. This mode will be activated using the User Interface. The user will select the desired level of capacity required, Stage 1 or 2. The user will select the desired ON/ OFF Duty Cycle, 10% minimum to 50% maximum, (10% increments, 10% = 2 minutes On, 18 minutes Off; 50% = 10 minutes on, 10 minutes off).

CONTINGENCY MODE

- Stand alone operation can only be entered at the user interface.
- Stand alone operation can be set up to operate the furnace in **Heating Only**.
- The contingency mode is used when the communicating comfort Control is not communicating with the furnace or when setting gas pressures.
- Before attempting to enter contingency mode, disconnect the Data wire D from the Furnace IFC terminal block.
- The contingency mode will function only when the Furnace IFC is not flashing a fault code at its Fault LED.
- To enter the contingency mode of operation, cycle the 120 VAC power supply off and then back on.
- Scroll down using the down arrow ▼ at the User Interface until you see **CNTNGNCY Mode**, then press the **Enter** button.
- **CNTNGNCY MODE** and ◀ **STAGE** ▶ will now be displayed. Press the **Enter** button.
- **STAGE** and ◀ **OFF [OFF]** will now be displayed. A First or Second Stage of heat **must** be selected. Use the ◀ or ▶ arrows to select the stage of heat wanted and then push the **Enter** button and then the ▼ button.
- **DUTY CYCLE** and **10% [10%]** will now be displayed. A duty cycle **must** now be selected from 10 to 50%. A 10% duty cycle will run the furnace for 2 minutes and then off for 18 minutes. A 50% duty cycle will run the furnace for 10 minutes and then be off for 10 minutes. These duty cycles will be repeated 3 times per hour. Use the ◀ or ▶ arrows to select a duty cycle and then push the **Enter** button and then the ▼ button.
- **Start** and **NO [NO]** will now be displayed. With a **NO/NO** question being asked, use the ◀ or ▶ arrows to select the **YES** and then press the **ENTER** button.
- **Are you Sure and NO [NO]** will now be displayed. With a **NO/ NO** question being asked, use the ◀ or ▶ arrows to select the **YES** and then press the **ENTER** button.
- Turn 120 VAC power off. When the Green LED on the variable speed inducer drive goes out, turn

120 VAC power back on.

- When the furnace is operating in the contingency mode (stand alone operating cycle), the user interface will display the following information. The top line will say **CNTNGNCY MODE**. The bottom line will show the operating stage number **STG (1 or 2)** selected, and the percent number **10-50 %** selected.
- All furnace operating controls, pressure switches and communications between the IFC and the variable speed indoor blower will be functional during continuous mode operation of the furnace.
- The ◀ ▶ ▲ ▼ and **ENTER** buttons do not function in the contingency mode of operation.
- To exit the contingency mode of operation turn off the 120 VAC power to the furnace.
- The contingency mode (stand alone operation) will stop for any of the following reasons:
 - (1) If the furnace IFC receives a signal from the communicating comfort control. This will only happen if the data wire D from the comfort control has been reconnected to the furnace IFC terminal board terminal D.
 - (2) Power is removed from the furnace and then turned back on.

Note: If a communicating comfort control is detected to be present and the contingency mode menu is selected, "NOT AVAILABLE" will be displayed on the user interface.

- (3) The Furnace IFC enters a **RESET** mode of operation.

- (4) A fault is detected by the furnace IFC. Fault LED will be flashing an Alert Code.

24V CONTINGENCY MODE

An alternative method for the contingency mode can be used by changing the mode of operation in the user interface to 24v mode and installing a conventional 24v comfort control.

To set this mode of operation:

Remove all wiring from the *CONT900 comfort control and install a 24v comfort control. If the comfort control requires a 24v common; connect R and B to respective terminals. Connect 3rd wire to "W". At the control board, connect the same 3 wires to the corresponding terminals. Jumper W1 to W2 at the control board. The stage delay between W1 & W2 can be set by scrolling thru the user interface. It is factory set at zero minutes but can be adjusted to 5, 10, or 15 minutes.

Installer's Guide

WARNING

EXPLOSION HAZARD

Propane gas is heavier than air and may collect in any low areas or confined spaces. In addition, odorant fade may make the gas undetectable except with a warning device. If the gas furnace is installed in a basement, an excavated area or a confined space, it is strongly recommended to contact a gas supplier to install a gas detection warning device in case of a gas leak. Failure to follow this warning could result in property damage, personal injury or death.

NOTE: The manufacturer of your furnace does NOT test any detectors and makes no representations regarding any brand or type of detector.

CONTROL AND SAFETY SWITCH ADJUSTMENTS

LIMIT SWITCH CHECK OUT

The Limit Switch is a safety device designed to close the Gas Valve should the Furnace become overheated. Since proper operation of this switch is important to the safe operation of the unit, it **must be checked out on initial start up by the installer.**

To check for proper operation of the Limit Switches, set the Comfort Control to a temperature higher than the indicated room temperature to start the furnace. Restrict the airflow by blocking the return air (disconnecting the Indoor Blower may trip the Inducer Limit). When the Furnace reaches the maximum outlet temperature as shown on the rating plate, the burners must shut off. If they do not shut off after a reasonable time and overheating is evident, a faulty Limit Switch is probable and the Limit Switch must be replaced. After checking the operation of the Limit Control, be sure to remove the restriction from the return air inlet.

AIRFLOW ADJUSTMENT

Check inlet and outlet air temperatures to make sure they are within the range specified on the Furnace rating nameplate. If the airflow needs to be increased or decreased, see the Airflow Label on the Furnace or the unit's Service Facts for information on changing the speed of the Blower Motor for your specific model. Blower speed changes are made on the User Interface. Where long periods of airflow are desired for comfort, use long fan cycles instead of continuous airflow.

WARNING

ELECTRICAL SHOCK HAZARD

Do not touch any components other than the display assembly and the door switch during this procedure. Failure to follow this warning could result in property damage, personal injury or death.

WARNING

ELECTRICAL HAZARD

Disconnect power to the unit before removing the Blower door. Allow a minimum of 10 seconds for IFC Power Supply to discharge to 0 volts. Failure to follow this warning could result in property damage, personal injury or death.

WARNING

SAFETY HAZARD

MAKE SURE THAT THE BLOWER DOOR IS IN PLACE AND NOT AJAR. DANGEROUS FUMES COULD ESCAPE. FAILURE TO FOLLOW WARNING COULD RESULT IN SERIOUS PERSONAL INJURY OR DEATH.

This unit is equipped with a Blower Door Switch which cuts power to the Furnace causing shutdown when the door is removed. Operation with the door removed or ajar can permit the escape of dangerous fumes. All panels must be securely closed at all times for safe operation of the Furnace.

NOTE TO INSTALLER

Review the following instructions with the homeowner. Review contents of USER'S INFORMATION MANUAL with the homeowner.

INSTRUCTIONS TO THE HOMEOWNER

In the event that electrical, fuel, or mechanical failures occur, the owner should immediately turn the Gas Supply off at the manual Gas Valve, located in the burner compartment. Also turn off electrical power to the Furnace and contact your dealer or a qualified service agent.

NOTE:

Direct drive motors have bearings which are permanently lubricated and under normal use, lubrication is not recommended.

ROOM AIR THERMOSTAT

HEAT ANTICIPATOR ADJUSTMENT

Set the thermostat heat anticipator according to the current flow measured, or the settings found in the notes on the furnace wiring diagram (found inside the furnace casing).

Also turn off electrical power to the furnace and contact the service agency designated by your dealer.

WARNING

SAFETY HAZARD

Should overheating occur, or the gas supply fail to shut off, shut off the gas valve to the unit before shutting off the electrical supply. Failure to follow this warning could result in property damage, personal injury, or death.

CONDITIONS AFFECTING FURNACE OPERATION

- 1. EXCESSIVE COMBUSTION PRESSURE (WIND IN EXCESS OF 40 M.P.H.) VENT OR FLUE BLOCKAGE**
If pressure against induced draft blower outlet becomes excessive, the pressure switch will open and shut off the gas valve until acceptable combustion pressure is again available.
- 2. LOSS OF FLAME**
If loss of flame occurs during a heating cycle, or flame is not present at the sensor, the flame control module will close the gas valve. The flame control module will then recycle the ignition sequence, then if ignition is not achieved, it will shut off the gas valve and lock out the system.
- 3. POWER FAILURE**
If there is a power failure during a heating cycle, the system will restart the ignition sequence automatically when power is restored, if the thermostat still calls for heat.
- 4. GAS SUPPLY FAILURE**
If loss of flame occurs during a heating cycle, the system integrated control module will recycle the ignition sequence, then if ignition is not achieved, the integrated control module will shut off the gas valve and lock out the system.
- 5. INDUCED DRAFT BLOWER FAILURE**
If pressure is not sensed by the pressure switch, the contacts will remain open and not allow the gas valve to open, therefore the unit will not start. If failure occurs during a running cycle, the pressure switch contacts will open and the gas valve will close to shut the unit down.
- 6. RESET AFTER LOCKOUT**
When the integrated control module has shut the system down and gone into lockout, the system must be manually reset before the unit will restart. To reset, turn the system power off, then on, then off and then on again within 30 seconds. This may be done at the unit's power source or at the thermostat. *The system will not reset unless the procedure off-on-off-on is completed within 30 seconds.*

Carbon monoxide, fire or smoke can cause serious bodily injury, death, and/or property damage.

A variety of potential sources of carbon monoxide can be found in a building or dwelling such as gas-fired clothes dryers, gas cooking stoves, water heaters, furnaces and fireplaces. The U.S. Consumer Product Safety Commission recommends that users of gas-burning appliances install carbon monoxide detectors as well as fire and smoke detectors per the manufacturers installation instructions to help alert dwelling occupants of the presence of fire, smoke or unsafe levels of carbon monoxide. These devices should be listed by Underwriters Laboratories, Inc. *Standards for Single and Multiple Station Carbon Monoxide Alarms, UL 2034* or CSA International Standard, *Residential Carbon Monoxide Alarming Devices, CSA 6.19*

NOTE:

The manufacturer of your furnace does not test any detectors and makes no representations regarding any brand or type of detector.

The following warning complies with State of California law, Proposition 65.

WARNING

This product contains fiberglass wool insulation!

Fiberglass dust and ceramic fibers are believed by the State of California to cause cancer through inhalation. Glasswool fibers may also cause respiratory, skin, or eye irritation.

PRECAUTIONARY MEASURES

- Avoid breathing fiberglass dust.
- Use a NIOSH approved dust/mist respirator.
- Avoid contact with the skin or eyes. Wear long-sleeved, loose-fitting clothing, gloves, and eye protection.
- Wash clothes separately from other clothing: rinse washer thoroughly.
- Operations such as sawing, blowing, tear-out, and spraying may generate fiber concentrations requiring additional respiratory protection. Use the appropriate NIOSH approved respirator in these situations.

FIRST AID MEASURES

- Eye Contact** – Flush eyes with water to remove dust. If symptoms persist, seek medical attention.
- Skin Contact** – Wash affected areas gently with soap and warm water after handling.

WARNING

Failure to follow safety warnings exactly, could result in a fire or explosion causing property damage, personal injury or loss of life.

— **Do not store or use gasoline or other flammable vapors and liquids in the vicinity of this or any other appliance.**

— **WHAT TO DO IF YOU SMELL GAS**

- **Do not try to light any appliance.**
 - **Do not touch any electrical switch; do not use any phone in your building.**
 - **Immediately call your gas supplier from a neighbor's phone. Follow the gas supplier's instructions.**
 - **If you cannot reach your gas supplier, call the fire department.**
- **Installation and service must be performed by a qualified installer, service agency or the gas supplier.**

Installer's Guide

ALERT CODE RECOVERY

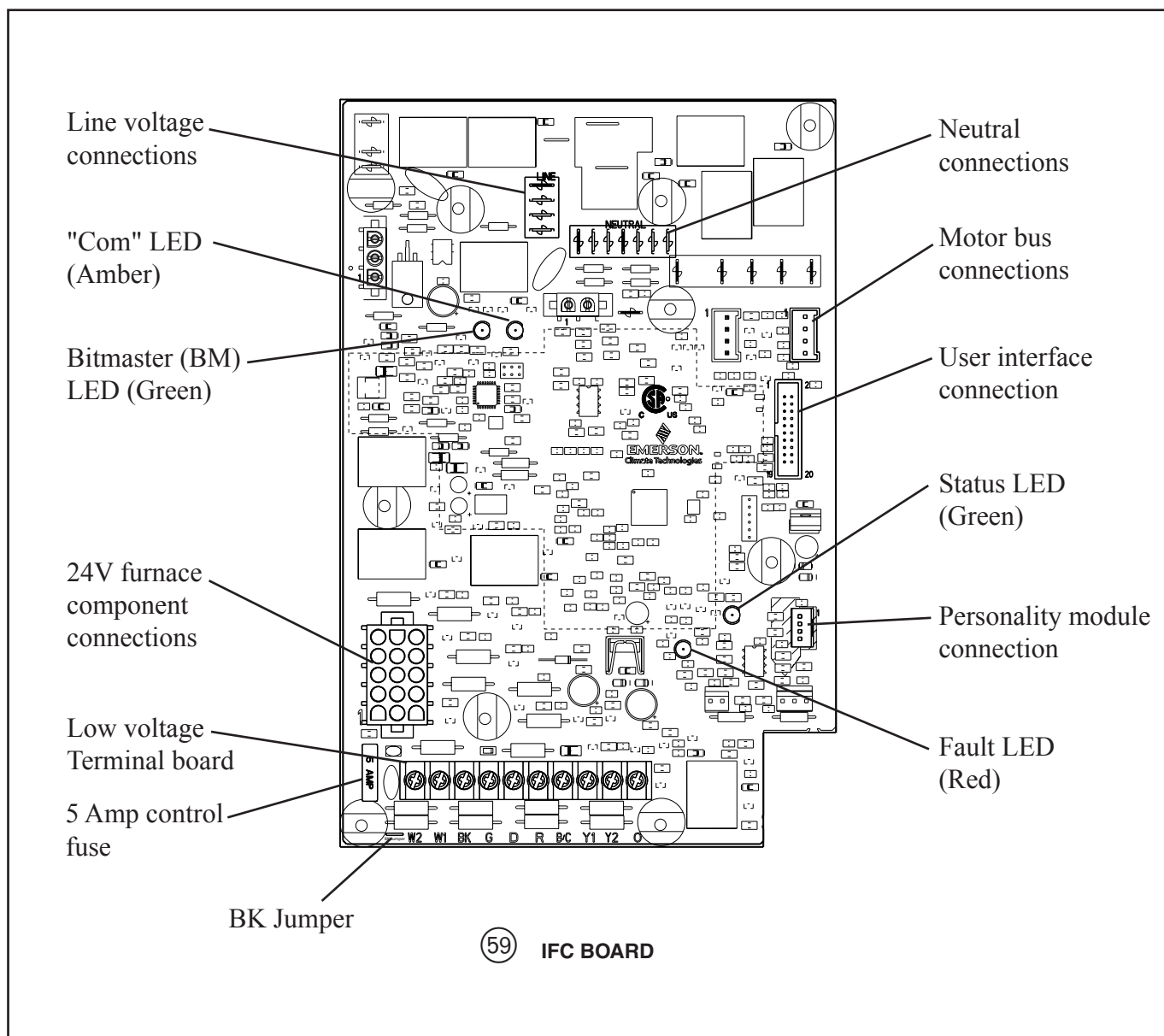
On power up, last 4 Alerts, if any, will be flashed on the Red Alert LED. The newest Alert detected will flash first and the oldest last. There will be a 2 second delay between Alert Code flashes. Solid Red LED error codes will not be displayed.

The Green BM LED will be on solid when the control is powered. The Green status LED indicator light will operate as shown in the table. The Red LED will only flash when a fault is present.

NOTE:

Use the flash code menu for detail of the alerts. Alert codes also are displayed on the User Interface menu using a descriptive text message and on the comfort control display using an alert code number. A complete list of the alert codes is included with the comfort control.

LED	DESCRIPTION	FUNCTION
GREEN	STATUS LED	FAST FLASH - CALL FOR HEAT SLOW FLASH - NO CALL FOR HEAT
RED	ALERT LED	NO. OF FLASHES - SEE DIAGNOSTIC CODES
GREEN (BM)	BITMASTER	ON SOLID WHEN UNIT POWERED
AMBER	COM	FLASHES DEVICE COUNT



**TABLE 22- FURNACE
ALERT CODES**

Alert Notification				Alert Code	Alert Group	Alert Description
Fault LED	COM LED	User Interface Display	Control Display			
2 Flash	Device count	RECYCLE	N/A	20	Flame lost or Ignition failure	Flame is off when flame should be detected. Furnace tries to relight itself.
		RETRY				Furnace tries to light, but no flame is detected.
		RECYCLE LO	ERR 22	22	Soft lockout due to flame lost or ignition retries	10 recycles within a single call for heat will cause 1hr lockout.
		RETRY LO				3 ignition attempts in a row within a single call for heat results in 1 hr lockout.
3 Flash	Device count	PS2 OPEN	N/A	1	Pressure Switch Failure	Open Pressure Switch, second stage
		PS2 CLOSED				Shorted Pressure Switch, second
		PS1 OPEN				Open Pressure Switch, first stage
		PS1 CLOSED				Shorted Pressure Switch, first stage
4 Flash	Device count	AUX LIMIT	ERR 26	26	High Temp Limit Fault	Open Reverse Flow - Heat exchanger temperature too high. Could be caused by low airflow or fan failure.
		HIGH LIMIT				Open High Limit - Heat exchanger temperature too high. Could be caused by low airflow or fan failure.
		ROLLOUT OPEN	ERR 87	87	Roll Out Fault	Open flame rollout
5 Flash	Device count	FLAME ERROR	ERR 34	34	Flame Detect Fault	Flame detected, should not be present
6 Flash	Device count	POLARITY ERR	N/A	33	Line Polarity Fault	Voltage reverse polarity
		GND FAULT	N/A	88	Ground Fault	Occurs when proper earth ground is not detected.
		IGNITER ERR	ERR 10	10	Ignition Means Fault	Igniter fault
		TRIAC ERR				Triac fault
7 Flash	Device count	EXT GV ERR	ERR 93	93	Gas Valve Fault	Control senses 24V present at the gas valve when it should not be
Solid ON		INT GV ERR				Control tried to turn on gas valve, but 24V not sensed.
8 Flash	Device count	LO FLAME SNS	N/A	4	Low Flame Signal	Flame current is low, but still strong enough to allow operation.
10 Flash	Device count	SYS COMM CRC	N/A	90	Communication Busy Fault	COMM system unrecognized response
		IND COMM CRC				Inducer Motor unrecognized response
		BLW COMM CRC				Blower motor unrecognized response
	Device count	BLW COMM ERR	ERR 91	91	Communication Fault	Blower motor no COMM response ¹
		IND COMM ERR				Inducer motor no COMM response
	Fast Flash	SYS COMM ERR				Loss of heat/cool demand
#REF!					#REF!	
Device count	24V COMM MSMTCH	ERR 139	139	Communication Failure	Communication Message has been detected while configured for 24V Mode	
Solid ON	Device count	CNTRL FAULT	ERR 18	18	Control Failure	Internal control failure
None	Device count	TWIN ERROR	N/A	19	Twinning Fault	Twinning Not Allowed with Variable Speed
None	Device count	PM DATA ERR	N/A	114	Bad or Missing PM	Data Section is Corrupt but PM is useable
		CAP MISMATCH				Compressor size does not match capacity in PM
		ID MTR ERR	ERR 114			Blower HP/OEM does not match PM Data
		PM MISSING				No PM
		PM UNIT ERR	N/A			Primary Copy of Unit Data File is Corrupt.
		PM MEM ERROR	ERR 114			Primary and Secondary copies of Unit Data File are Corrupt
None	Device count	AC VOLTS LOW	N/A	59	AC Line Fault	Voltage too low
		AC VOLTS HI				Voltage too high
None	Device count	CHECK FUSE	N/A	92	Fuse	24V Fuse Open
None	Device count	Y1 OFF ERR	ERR 101	101	Y1 Relay Failure	Y1 Output OFF when it should be ON
		Y1 ON ERR				Y1 Output ON when it should be OFF
None	Device count	TS 1 SHORT	N/A	119	Temperature Sensor Failure	Temperature sensor 1 shorted.
		TS 1 OPEN				Temperature sensor 1 open.
		TS 2 SHORT				Temperature sensor 2 shorted.
		TS 2 OPEN				Temperature sensor 2 open.
Notes:	¹ Comfort Control will switch system to "OFF" until this fault condition clears					
D342960P02				PRINTED FROM: D802247P01 Rev 10		

Installer's Guide

This product may be covered by one or more of the following patents and their foreign equivalents: 5621888, 5901156, 6208263, 6353376, and 6448901. Other patents are pending. Made under license.



Literature Order Number	18-CD32D1-9-EN
File Number	18-CD32D1-9-EN
Supersedes	18-CD32D1-8-EN
Date	12/16

Trane
6200 Troup Highway
Tyler, TX 75707

For more information contact
your local dealer (distributor)

The manufacturer has a policy of continuous product and product data improvement and reserves the right to change design and specifications without notice.