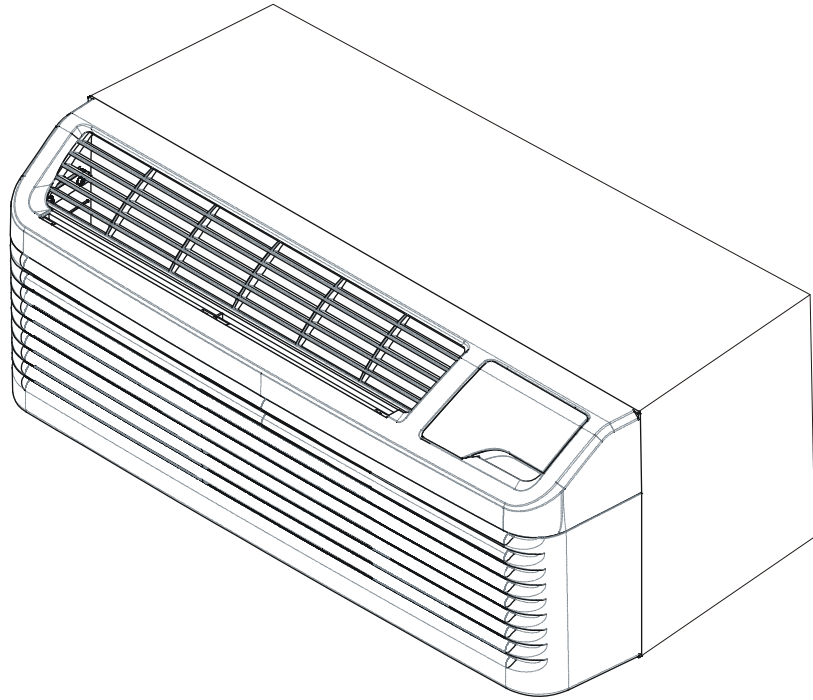


REPAIR PARTS

PTH153G Series Heat Pump

PTH153G25AXXXAA
PTH153G25CXXXAA
PTH153G25RXXXAA
PTH153G35AXXXAA
PTH153G35CRXXAA
PTH153G35CXXXAA
PTH153G35DXXXAA
PTH153G35QRXXAA
PTH153G35QXXXAA
PTH153G35RXXXAA
PTH153G35VXXXAA
PTH153G50AXXXAA
PTH153G50CXXXAA
PTH153G50DXXXAA
PTH153G50RVXXAA
PTH153G50RXXXAA
PTH153G50VXXXAA



This manual is to be used by qualified technicians only.

© 2012 Goodman Manufacturing Company, L.P. ♦ 5151 San Felipe, Suite 500 ♦ Houston, TX 77056

Important Information

Index

Functional Parts List	3
Illustration and Parts	4 - 13

Views shown are for parts illustrations only, not servicing procedures.

This system uses R410A refrigerant. If sealed system work is required, use approved equipment and follow service procedures. Refer to Service Manual or Installation Instructions for service procedures.

Introduction of DC motors to meet DOE 2012 requirements.

Text Codes:

AR - As Required

NA - Not Available

NS - Not Shown

00000000 - See Note

QTY - Quantity Example (QTY 3) (If Quantity not shown, Quantity = 1)

M - Model Example (M1) (If M Code not shown, then part is used on all Models)

Expanded Model Nomenclature:

Example M1 - Model#1 M2 - Model#2 M3 - Model#3

Goodman Manufacturing Company, L.P. is not responsible for personal injury or property damage resulting from improper service. Review all service information before beginning repairs.

Warranty service must be performed by an authorized technician, using authorized factory parts. If service is required after the warranty expires, Goodman Manufacturing Company, L.P. also recommends contacting an authorized technician and using authorized factory parts.

Goodman Manufacturing Company, L.P. reserves the right to discontinue, or change at any time, specifications or designs without notice or without incurring obligations.

For assistance within the U.S.A. contact:
Consumer Affairs Department
Goodman Manufacturing Company, L.P.
7401 Security Way
Houston, Texas 77040
877-254-4729-Telephone
713-863-2382-Facsimile

For assistance outside the U.S.A. contact:
International Division
Goodman Manufacturing Company, L.P.
7401 Security Way
Houston, Texas 77040
713-861-2500-Telephone
713-863-2382-Facsimile

Functional Parts

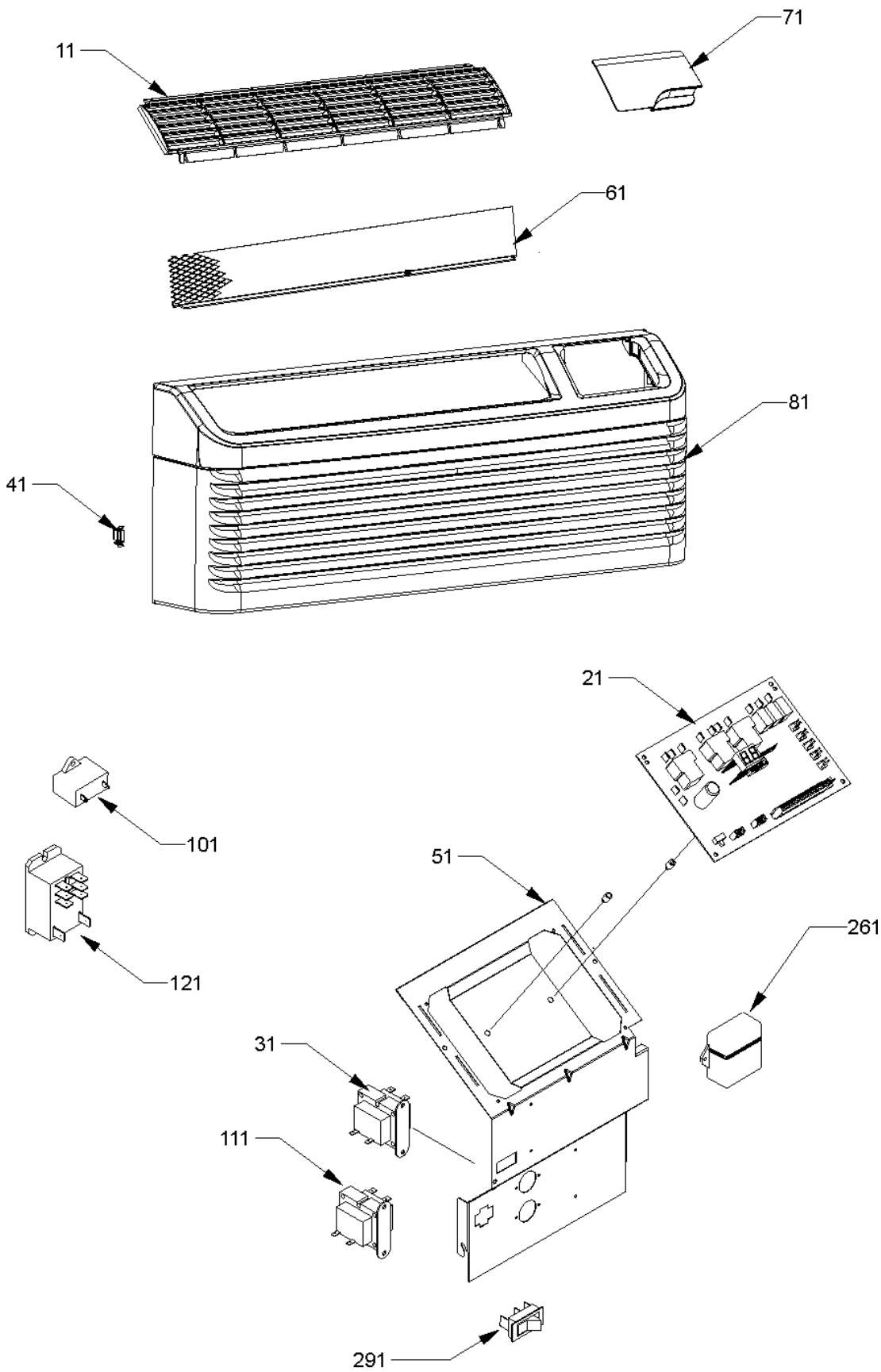
Part No: **Description:**

CAP050300450RS	CAP, 5/30 MFD/450V/DUAL RD
CAP020000440RP	CAPACITOR
50A362Q	COMPRESSOR, RECHI
RSKP0010	CONTROL BOARD M61
RSKP0005	CONTROL PANEL COVER AND MEMBRANE
0130P00069	CORD, 250VAC, 15A (LCD) (M1, M2, M3)
0130P00058	CORD, 250VAC, 20A (LCD) (M4, M5, M6, M7, M8, M9, M10, M11)
0130P00062	CORD, 250VAC, 30A (LCD) (M12, M13, M14, M15, M16, M17)
0131P00025	FAN MOTOR OUTDOOR
0131P00007	FAN MOTOR, INDOOR
0161P00030	FAN, CONDENSER
0275P00021	HEATER ASSY (M12, M13, M14, M15, M16, M17)
0275P00020	HEATER ASSY (M4, M5, M6, M7, M8, M9, M10, M11)
0275P00019	HEATER ASSY (M1, M2, M3)
0130M00132	HIGH PRESSURE SWITCH
60343546	OVERLOAD PROTECTOR
0130M00096	RELAY
C8873932	RELAY (POWER VENT) (M7, M11, M14, M15, M17)
20295711	THERMISTOR
0130P00074	THERMISTOR
0130P00075	THERMISTOR
0130P00033	THERMISTOR-INDOOR COIL
0130P00039	THERMISTOR-OUTDOOR AMBIENT (M3, M5, M8, M10, M15, M16)
B1378501	TRANSFORMER (M7, M11, M14, M15, M17)
20512501	TRANSFORMER (HYDRONIC)
0150P00004	WHEEL, BLOWER

Expanded Model Nomenclature

M1 - PTH153G25AXXXAA
M2 - PTH153G25CXXXAA
M3 - PTH153G25RXXXAA
M4 - PTH153G35AXXXAA
M5 - PTH153G35CRXXAA
M6 - PTH153G35CXXXAA
M7 - PTH153G35DXXXAA
M8 - PTH153G35QRXXAA
M9 - PTH153G35QXXXAA
M10 - PTH153G35RXXXAA
M11 - PTH153G35VXXXAA
M12 - PTH153G50AXXXAA
M13 - PTH153G50CXXXAA
M14 - PTH153G50DXXXAA
M15 - PTH153G50RVXXAA
M16 - PTH153G50RXXXAA
M17 - PTH153G50VXXXAA

Front Assy



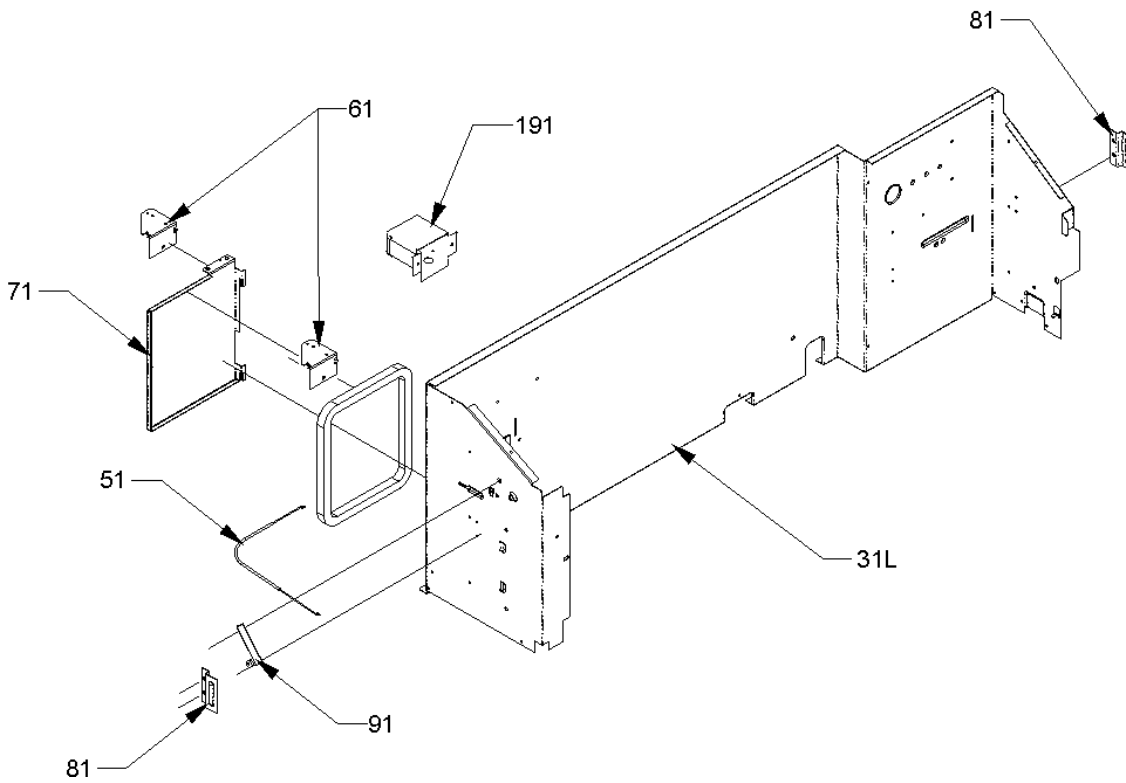
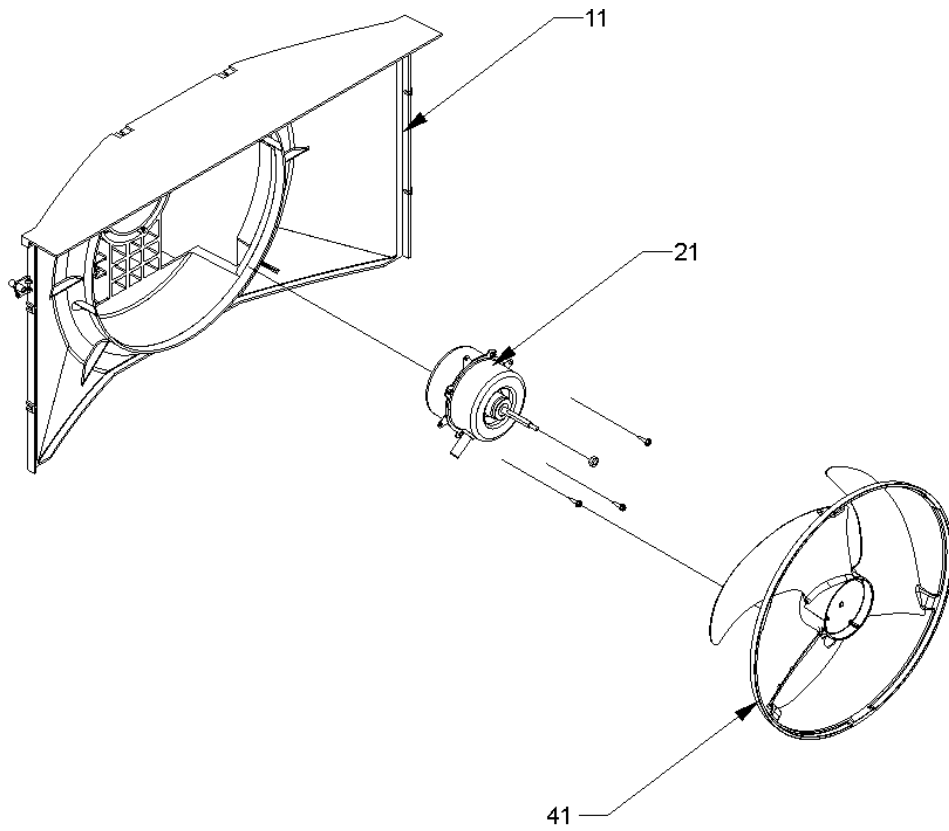
Front Assy

Ref. Part No:	No:	Description:	Ref. Part No:	No:	Description:
<i>Image 1:</i>					
11	0161P00033	FRONT-DICHARGE LOUVERS			
21	RSKP0010	CONTROL BOARD M61			
31	20512501	TRANSFORMER (HYDRONIC)			
41	0163P00025	CLIP (QTY 2)			
51	0121P00001P	CONTROL PANEL COVER			
61	0121P00073	SCREEN, DISCHARGE			
71	0261P00003	DOOR ASSY -AMANA-			
81	0261P00011	FRONT ASSY			
101	CAP050300450RS	CAP, 5/30 MFD/450V/DUAL RD			
111	B1378501	TRANSFORMER (M7, M11, M14, M15, M17)			
121	0130M00096	RELAY			
121	C8873932	RELAY (POWER VENT) (M7, M11, M14, M15, M17)			
261	1261401	DIGITENNA (M3, M5, M8, M10, M15, M16)			
291	B1337701	PADDLE SWITCH (M7, M11, M14, M15, M17)			
NS	0161P00035	FILTER, RACK (QTY 2)			
NS	B1160701	TERMINAL BOARD (M7, M11, M14, M15, M17)			

Expanded Model Nomenclature

M1 - PTH153G25AXXXAA
M2 - PTH153G25CXXXAA
M3 - PTH153G25RXXXAA
M4 - PTH153G35AXXXAA
M5 - PTH153G35CRXXAA
M6 - PTH153G35CXXXAA
M7 - PTH153G35DXXXAA
M8 - PTH153G35QRXXAA
M9 - PTH153G35QXXXAA
M10 - PTH153G35RXXXAA
M11 - PTH153G35VXXXAA
M12 - PTH153G50AXXXAA
M13 - PTH153G50CXXXAA
M14 - PTH153G50DXXXAA
M15 - PTH153G50RVXXAA
M16 - PTH153G50RXXXAA
M17 - PTH153G50VXXXAA

Chassis Control Panel



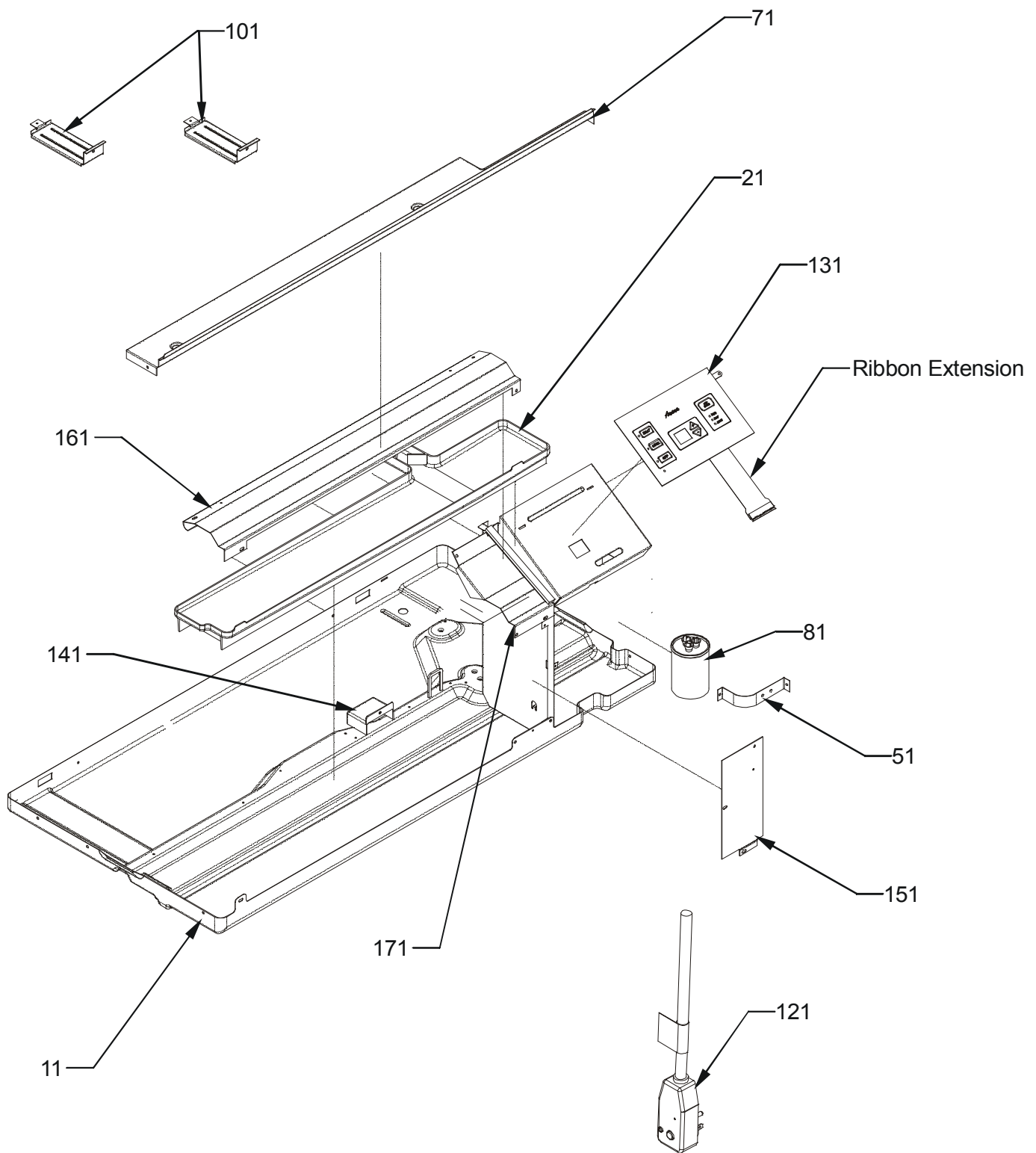
Chassis Control Panel

Ref. Part No:	No:	Description:	Ref. Part No:	No:	Description:
<i>Image 1:</i>					
11	0161P00026	SHROUD, CONDENSER			
21	0131P00025	FAN MOTOR OUTDOOR			
31	0121P00093	PANEL-PARTITION (M8, M9)			
31	0121P00089DG	PANEL-PARTITION PNT (M1, M2, M3, M4, M5, M6, M7, M10, M11, M12, M13, M14, M15, M16, M17)			
41	0161P00030	FAN, CONDENSER			
51	0163P00019	CABLE			
61	0121P00079	BRACKET, VENT DOOR (M7, M11, M14, M15, M17)			
61	0121P00072DG	BRACKET, VENT DOOR-C (M1, M2, M3, M4, M5, M6, M10, M12, M13, M16)			
61	0121P00080	BRKT, POWER VENT (M7, M11, M14, M15, M17)			
61	11166101	POWER VENT MOTOR BRACKET (M7, M11, M14, M15, M17)			
71	11046105PDG	VENT DOOR (M1, M2, M3, M4, M5, M6, M7, M10, M11, M12, M13, M14, M15, M16, M17)			
81	11191703	PARTITION PANEL BRACKET (QTY 2)			
91	11046302	LEVER ARM (M1, M2, M3, M4, M5, M6, M10, M12, M13, M16)			
191	0270P00997	POWER DOOR ASSY (M7, M14)			
NS	11166401	EXTENSION SPRING (M7, M11, M14, M15, M17)			
NS	0121P00091	PANEL-AUXILLIARY (M8, M9)			
NS	11166201	POWER VENT COVER BRACKET (M7, M11, M14, M15, M17)			
NS	11172801	POWER VENT MOTOR (M7, M11, M14, M15, M17)			
NS	0130P00039	THERMISTOR-OUTDOOR AMBIENT (M3, M5, M8, M10, M15, M16)			

Expanded Model Nomenclature

- M1 - PTH153G25AXXXAA
- M2 - PTH153G25CXXXAA
- M3 - PTH153G25RXXXAA
- M4 - PTH153G35AXXXAA
- M5 - PTH153G35CRXXXAA
- M6 - PTH153G35CXXXAA
- M7 - PTH153G35DXXXAA
- M8 - PTH153G35QRXXXAA
- M9 - PTH153G35QXXXAA
- M10 - PTH153G35RXXXAA
- M11 - PTH153G35VXXXAA
- M12 - PTH153G50AXXXAA
- M13 - PTH153G50CXXXAA
- M14 - PTH153G50DXXXAA
- M15 - PTH153G50RVXXXAA
- M16 - PTH153G50RXXXAA
- M17 - PTH153G50VXXXAA

Partition Assy



Partition Assy

Ref. Part No: No:	Description:	Ref. Part No: No:	Description:
-------------------	--------------	-------------------	--------------

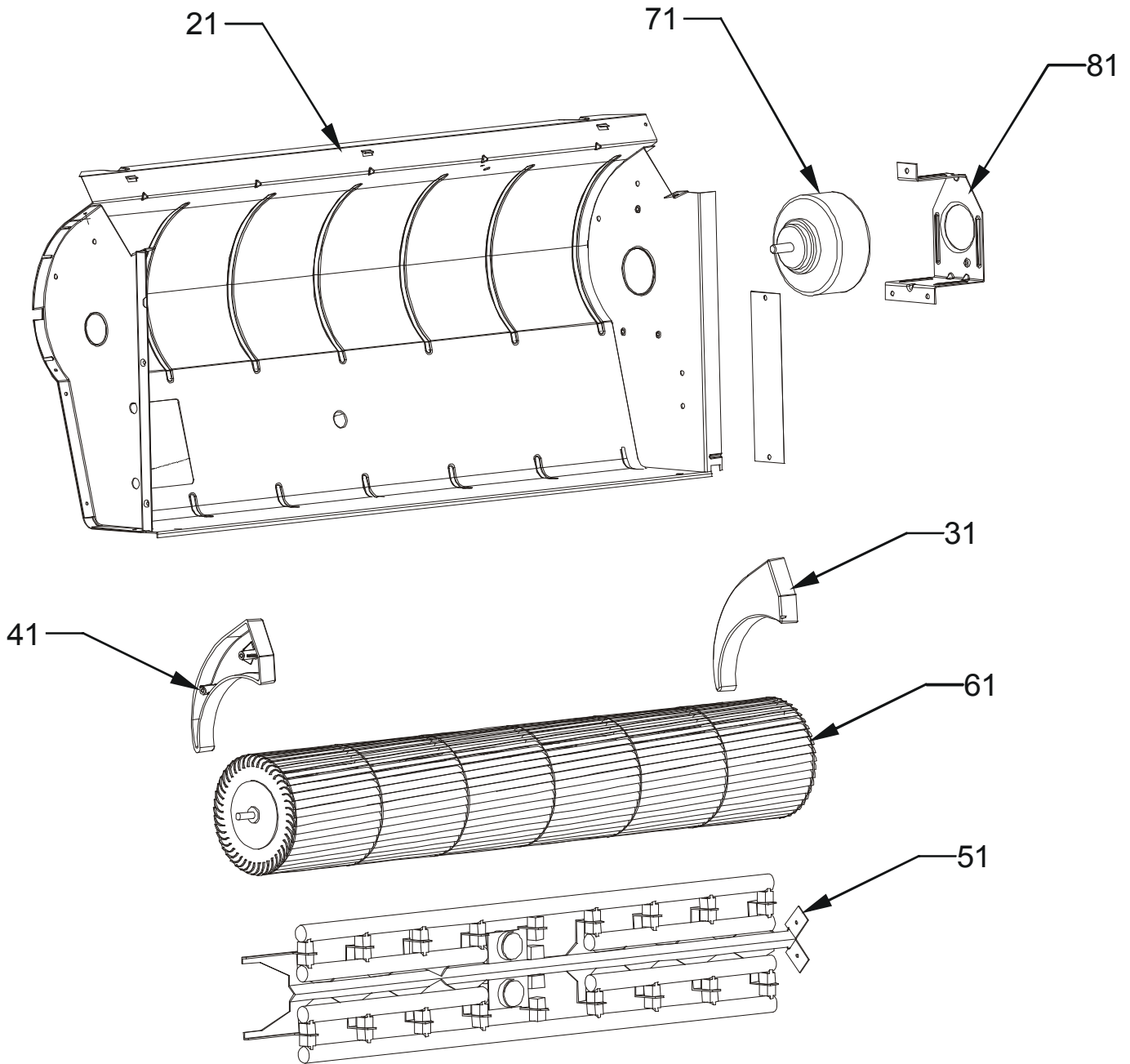
Image 1:

11	0121P00056DG	BASEPAN, PNT
21	0161P00044	PLASTIC-DRAIN PAN
51	C6300502	CAPACITOR STRAP
71	0121P00063DG	TOP - PARTITION PANEL
81	CAP020000440RP	CAPACITOR
101	0121P00071	BRACE, TIE (QTY 2)
121	0130P00069	CORD, 250VAC, 15A (LCD) (M1, M2, M3)
121	0130P00058	CORD, 250VAC, 20A (LCD) (M4, M5, M6, M7, M8, M9, M10, M11)
121	0130P00062	CORD, 250VAC, 30A (LCD) (M12, M13, M14, M15, M16, M17)
131	RSKP0005	CONTROL PANEL COVER AND MEMBRANE
141	0161P00016	PLASTIC-HOOD
151	20410801	ACCESS COVER
161	0121P00061DG	CUTOFF-SCROLL DG
171	0121P00070DG	COVER, MOTOR PNT
NS	20403301	MID PARTITION PANEL
NS	20416201	SEAL-L SIDE PTC
NS	20416101	SEAL-R SIDE PTC

Expanded Model Nomenclature

M1 - PTH153G25AXXXAA
M2 - PTH153G25CXXXAA
M3 - PTH153G25RXXXAA
M4 - PTH153G35AXXXAA
M5 - PTH153G35CRXXXAA
M6 - PTH153G35CXXXAA
M7 - PTH153G35DXXXAA
M8 - PTH153G35QRXXXAA
M9 - PTH153G35QXXXAA
M10 - PTH153G35RXXXAA
M11 - PTH153G35VXXXAA
M12 - PTH153G50AXXXAA
M13 - PTH153G50CXXXAA
M14 - PTH153G50DXXXAA
M15 - PTH153G50RVXXXAA
M16 - PTH153G50RXXXAA
M17 - PTH153G50VXXXAA

Indoor Assy



Indoor Assy

Ref. Part No: No:	Description:	Ref. Part No: No:	Description:
-------------------	--------------	-------------------	--------------

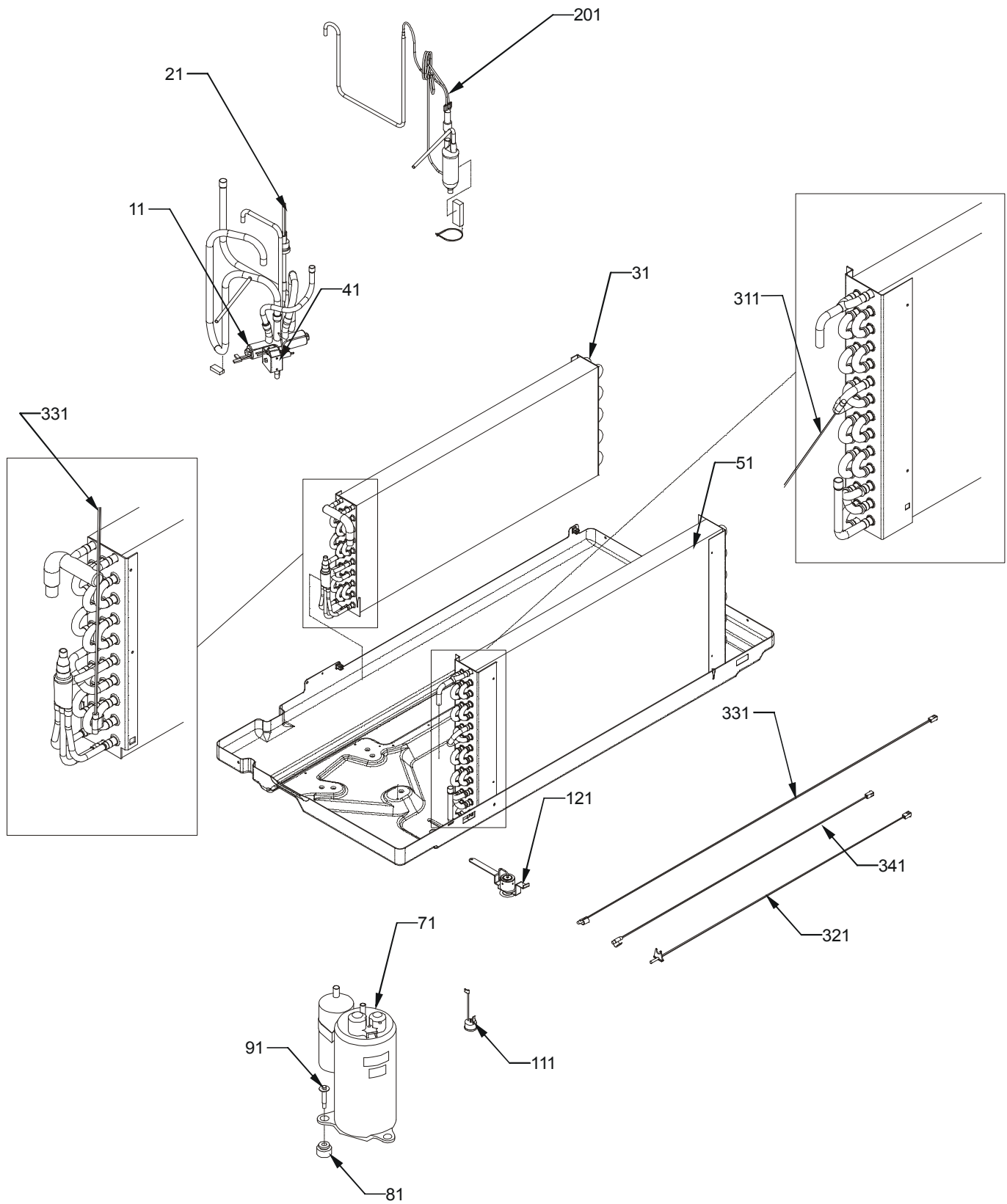
Image 1:

21	0270P01070	SCROLL ASSY
31	0161P00021	END CAP, RIGHT
41	0161P00022	END CAP, LEFT
51	0275P00019	HEATER ASSY (M1, M2, M3)
51	0275P00020	HEATER ASSY (M4, M5, M6, M7, M8, M9, M10, M11)
51	0275P00021	HEATER ASSY (M12, M13, M14, M15, M16, M17)
61	0150P00004	WHEEL, BLOWER
71	0131P00007	FAN MOTOR, INDOOR
81	0121P00048	BRACKET-MOTOR MOUNT
NS	0163P00027	BEARING

Expanded Model Nomenclature

M1 - PTH153G25AXXXAA
M2 - PTH153G25CXXXAA
M3 - PTH153G25RXXXAA
M4 - PTH153G35AXXXAA
M5 - PTH153G35CRXXAA
M6 - PTH153G35CXXXAA
M7 - PTH153G35DXXXAA
M8 - PTH153G35QRXXAA
M9 - PTH153G35QXXXAA
M10 - PTH153G35RXXXAA
M11 - PTH153G35VXXXAA
M12 - PTH153G50AXXXAA
M13 - PTH153G50CXXXAA
M14 - PTH153G50DXXXAA
M15 - PTH153G50RVXXAA
M16 - PTH153G50RXXXAA
M17 - PTH153G50VXXXAA

Tubing Assy



Tubing Assy

Ref. Part No: No:	Description:	Ref. Part No: No:	Description:
-------------------	--------------	-------------------	--------------

Image 1:

11	0151P00000	REVERSING VALVE ASSY-230V
21	0130M00132	HIGH PRESSURE SWITCH
31	0202P00065	EVAP ASSY, 5/16, 3 ROW
41	0130P00022	REVERSING VALVE COIL
51	0201P00079	CONDENSER ASSY (M1, M3, M4, M7, M8, M9, M10, M11, M12, M14, M15, M16, M17)
51	0201P00083DG	CONDENSER ASSY PNT (M2, M5, M6, M13)
71	50A362Q	COMPRESSOR, RECHI
81	60140209	GROMMET - RECHI COMPRESSOR (QTY 3)
91	M0253610	SHOULDER SCREW (QTY 3)
111	60343546	OVERLOAD PROTECTOR
121	20406303	BASE PAN VALVE
201	0210P00152	CAPILLARY WELDMENT
311	20295711	THERMISTOR
321	0130P00074	THERMISTOR
331	0130P00033	THERMISTOR-INDOOR COIL
341	0130P00075	THERMISTOR
NS	60500101	OLP SPRING - RECHI COMPRESSOR
NS	BT1392310	PLASTIC CLAMP, .1875 DIA (M7, M11, M14, M15, M17)
NS	60100314	TERMINAL COVER - RECHI COMP
NS	60100103	TERMINAL GASKET
NS	60100401	TERMINAL NUT - RECHI COMP
NS	60100201	WASHER - RECHI COMPRESSOR

Expanded Model Nomenclature

M1 - PTH153G25AXXXAA
M2 - PTH153G25CXXXAA
M3 - PTH153G25RXXXAA
M4 - PTH153G35AXXXAA
M5 - PTH153G35CRXXXAA
M6 - PTH153G35CXXXAA
M7 - PTH153G35DXXXAA
M8 - PTH153G35QRXXXAA
M9 - PTH153G35QXXXAA
M10 - PTH153G35RXXXAA
M11 - PTH153G35VXXXAA
M12 - PTH153G50AXXXAA
M13 - PTH153G50CXXXAA
M14 - PTH153G50DXXXAA
M15 - PTH153G50RVXXXAA
M16 - PTH153G50RXXXAA
M17 - PTH153G50VXXXAA