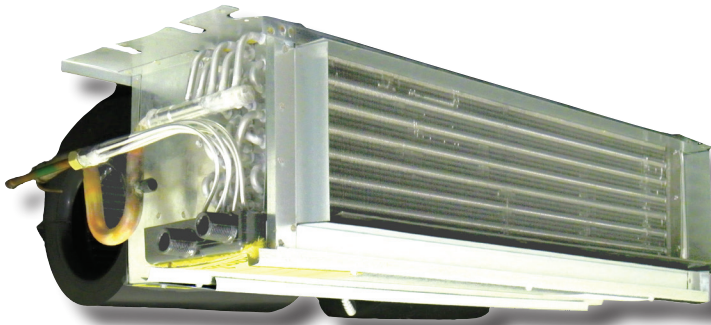


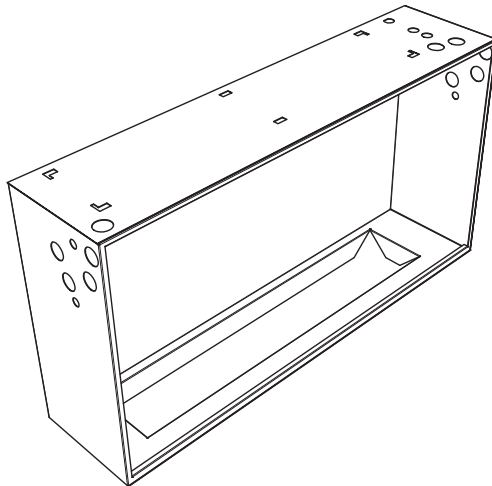


# HORIZONTAL RECESSED DOUBLE BLOWER CEILING MOUNTED AIR HANDLERS HFD/HFP SERIES

## PRODUCT FEATURES



- Designed for concealed installation in furred down or recessed ceilings
- Applications in A/C (HFD) and Heat Pump (HFP)
- Requires a sealed return air space
- Optional Long Life Aluminum or Copper coils
- Unique polymer blower scroll separates for easy blower wheel and motor removal
- Corrosion resistant polymer drain pan
- Coil, electric heat, motor, blower wheel, and polymer drain pan are all serviceable from the bottom
- 3/4" MPT Primary and Secondary drains
- 240V, 2 speed motor, 24V transformer and controls  
Line voltage terminal block
- High efficient (G) Long Life Aluminum tube and fins or (E) Copper tube and Long Life Aluminum fins coils
- Enhanced end plates
- Piston-type metering device, bolt on or factory installed TXV



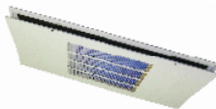
## OPTIONAL FEATURES

- White, powder coated, solid or louvered hinged access panels with mounting screws
- Insulated housing, factory or field installed, allows for ducted return air plenum
- A/C or heat pump TXV in R-22 or R-410a, factory or field installed
- Factory installed Electric Heat (208/230 VAC)



#PS-3975, PS-4575

Panels for Housing Only



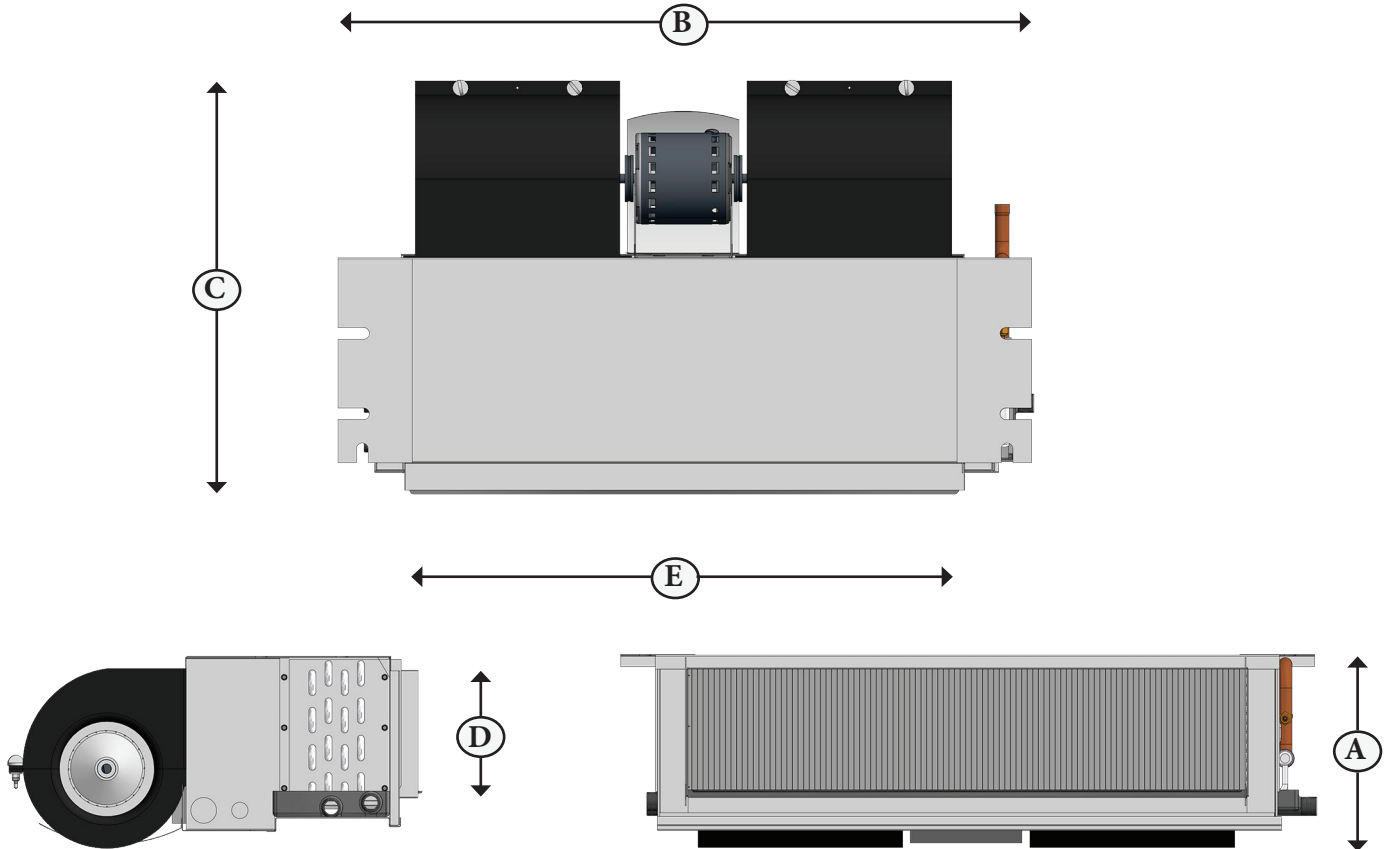
#PL-3975, PL4575  
(Louvers may differ from picture)

(field supplied)

CEILING ACCESS PANELS						
Coil	Panel Number	Description	Ceiling Panel Opening		Panel Frame Dimensions (Outside)	
30" Coil	ACP-44L	Louvered	24.50"	40"	28"	43.75"
	ACP-44S	Non - Louvered	24.50"	40"	28"	43.75"
36" Coil	ACP-51L	Louvered	24.50"	46"	28"	49.75"
	ACP-51S	Non - Louvered	24.50"	46"	28"	49.75"
42" Coil	ACP-55L	Louvered	24.50"	52"	28"	55.75"
	ACP-55S	Non - Louvered	24.50"	52"	28"	55.75"



# HORIZONTAL RECESSED DOUBLE BLOWER CEILING MOUNTED AIR HANDLERS HFD/HFP SERIES



Cabinet Dimensions					
MODEL	Cabinet Height - A	Cabinet Width - B	Cabinet Depth - C	Plenum Height - D	Plenum Width - E
HFD/HFP 18-24	10.00"	37.25"	20.50"	7.00"	30.00"
HFD/HFP 18-30	10.00"	43.25"	20.50"	7.00"	36.00"
HFD/HFP 18-36	10.00"	49.25"	20.50"	7.00"	42.00"



**WARNING**



**Warranty will be voided if any chemical cleaning products are used on any AllStyle coils.  
AllStyle suggests water and a soft, bristled brush.**