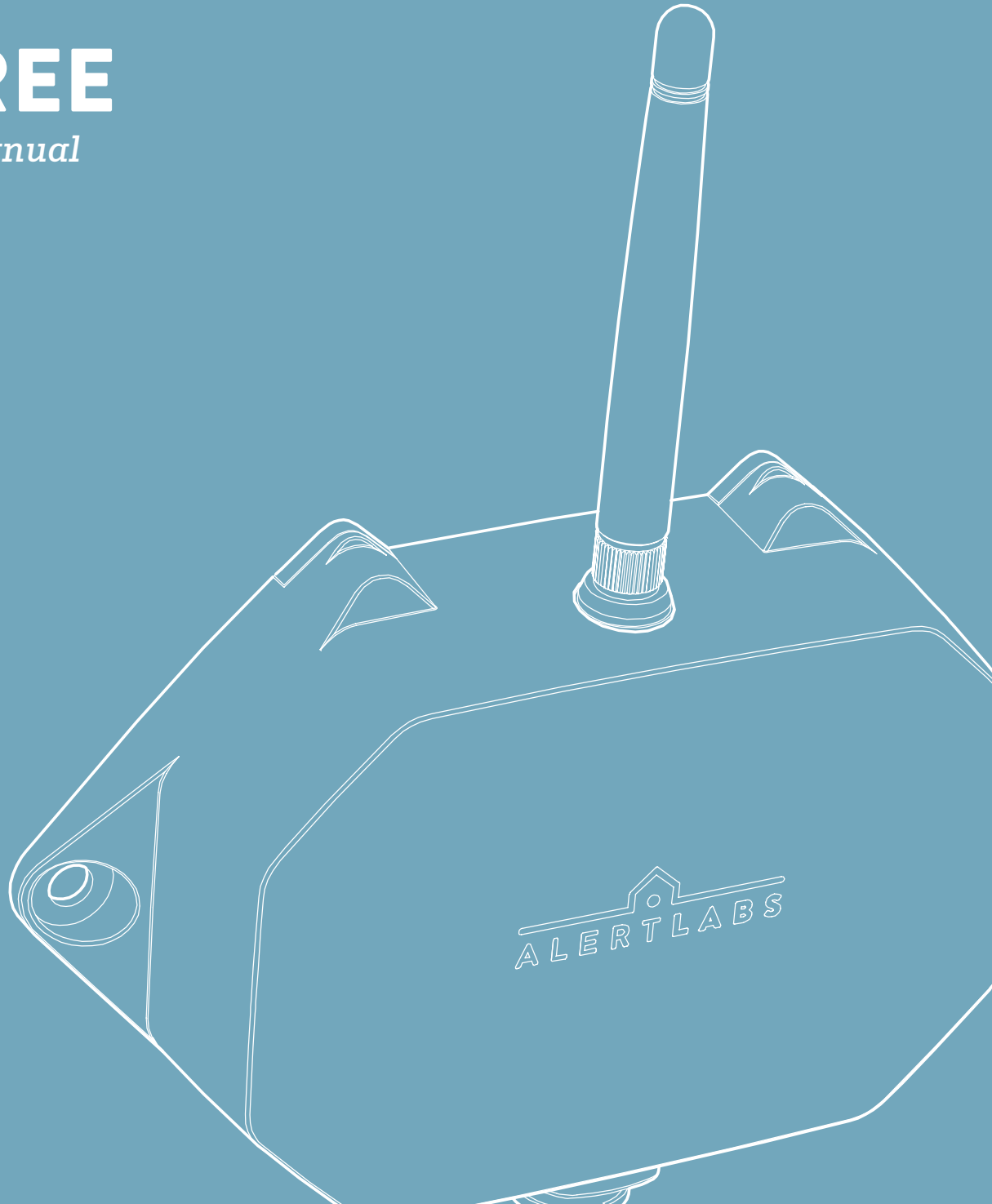


# SENTREE

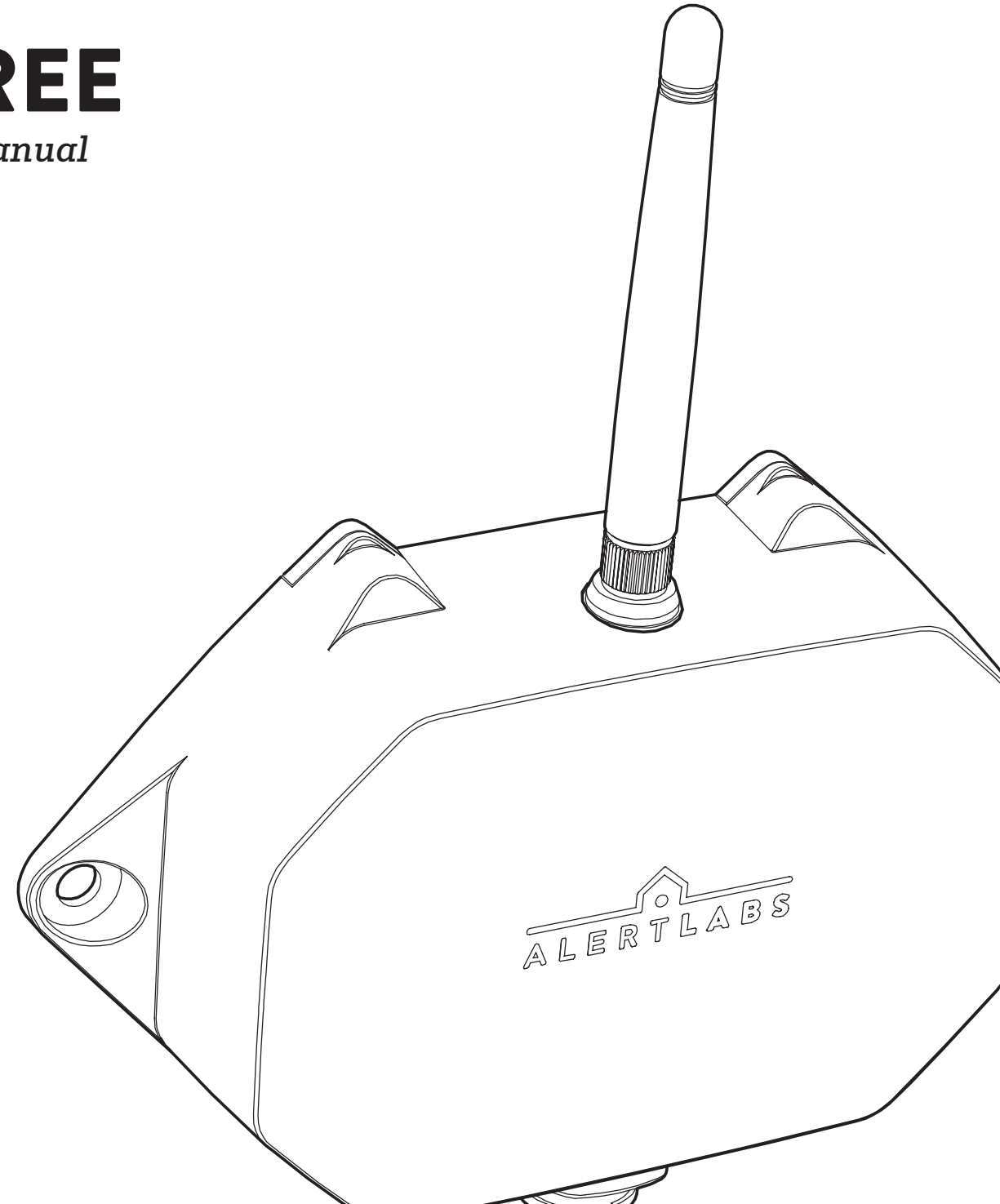
*Installation Manual*



ALERTLABS

# SENTREE

*Installation Manual*



PRODUCT: Field Installed Kit - HVAC Monitoring system, Model ALF-000008

### POWER REQUIREMENTS

Rated voltage	240 VAC, single phase, 60 Hz
Maximum power consumption	12W

### REPLACEABLE FUSE

Fuse specifications	UL Listed or Recognized Supplemental Circuit Protection T 5.0 A H 300 VAC Replace with same type and fuse rating Example: Bel Fuse Inc, 0ADKC5000-BE
---------------------	---



#### WARNING

RISK OF ELECTRIC SHOCK CAN CAUSE INJURY OR DEATH: DISCONNECT ALL REMOTE ELECTRIC POWER SUPPLIES BEFORE SERVICING



#### CAUTION

Installation must be performed by qualified HVAC technicians that are certified by the local Air Conditioner and Refrigeration Licensing Agency. Good refrigeration practices are expected to be used.

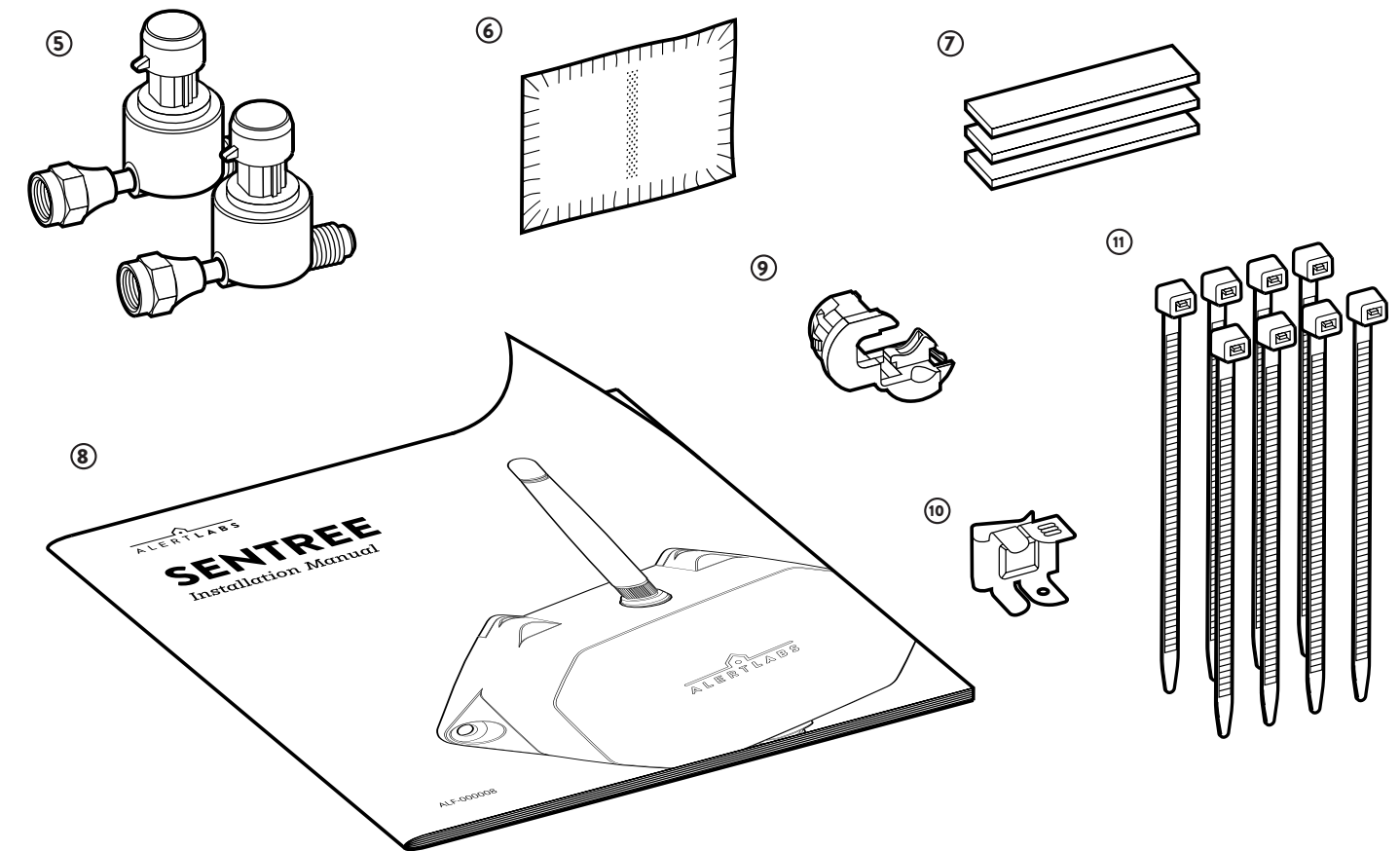
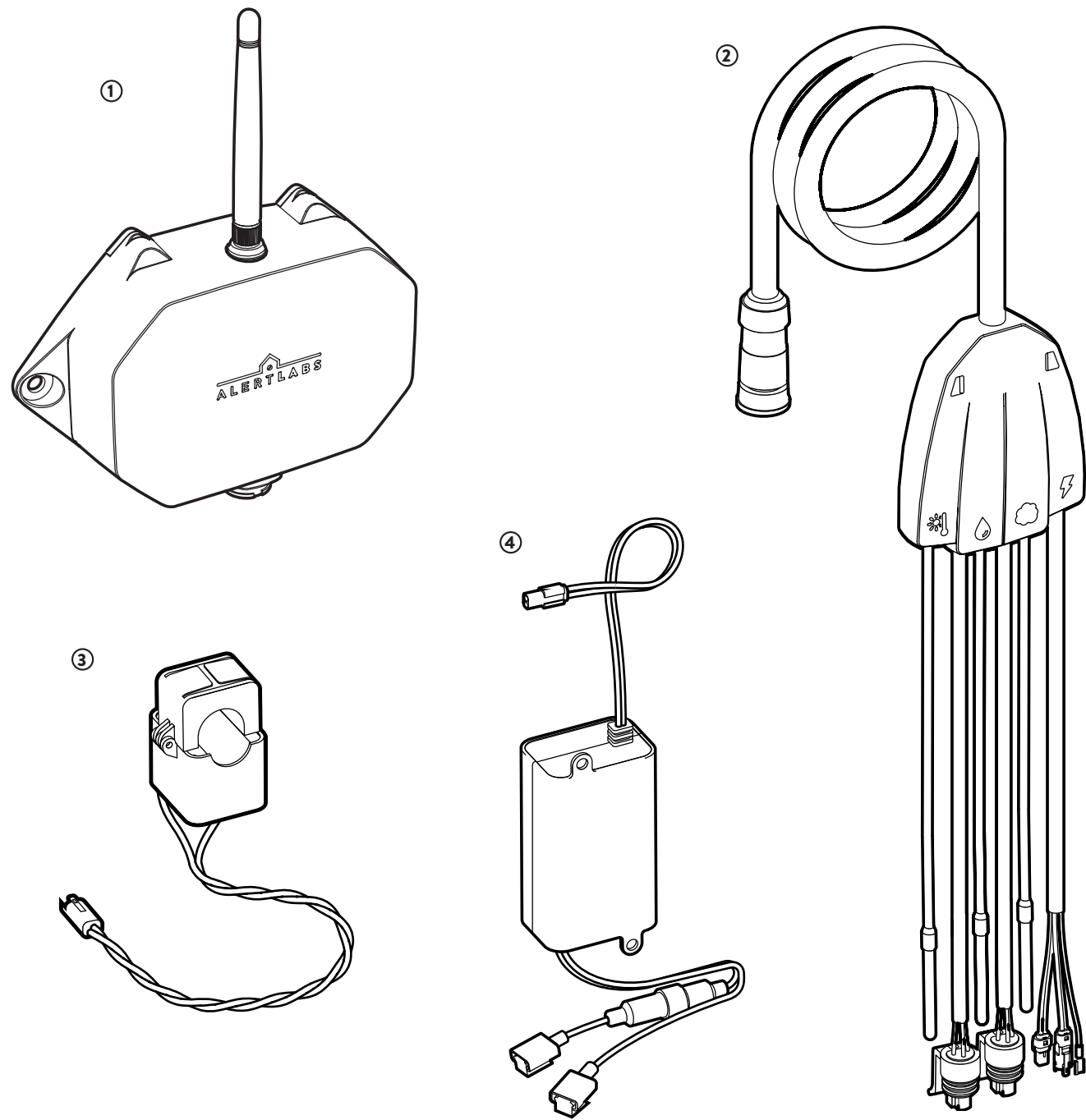
This Sentree device is intended to be connected to condenser units powered by 240 VAC, single phase, 60 Hz power and must connect to unused 1/4 inch quick connect terminals on the line side of the condenser's contactor.

This Sentree device is intended for use on systems up to 600 psi operating pressure.

This Sentree device is only intended for use on 1–5 ton residential air conditioner units.

There shall be no cutting of wires, rearrangement of existing components in the installed unit, cutting, drilling or welding in electrical compartments or in other areas where such operations may damage electrical or refrigerant components and wiring.

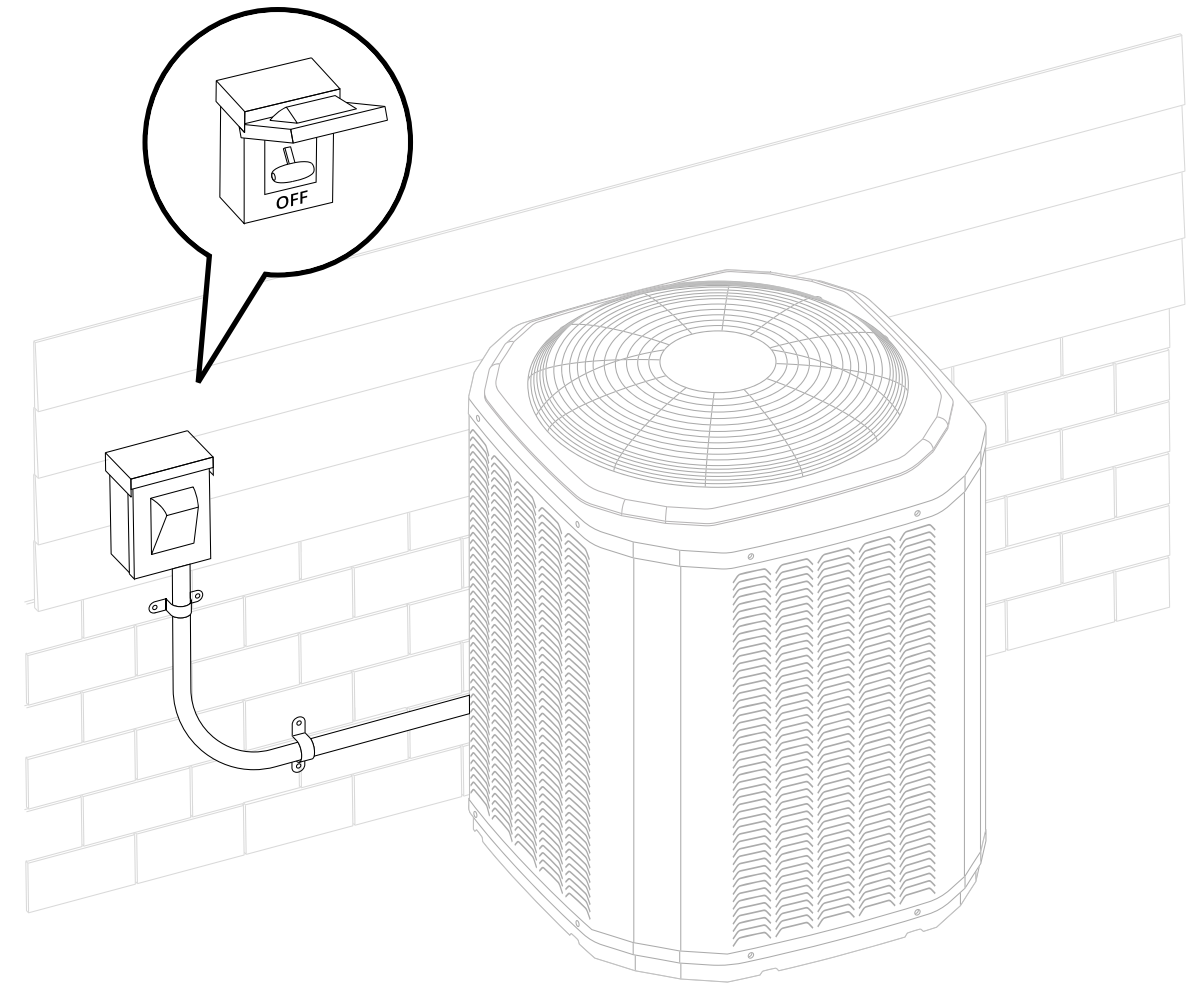
This product is not to be used with flammable refrigerants



## What's Included

- ① Sentree main housing
- ② Cable harness
- ③ Current sensor
- ④ Power supply / fuse assembly
- ⑤ Pressure sensors (x2)
- ⑥ Iso-propyl alcohol wipe
- ⑦ Foam tape (x3)
- ⑧ Installation manual
- ⑨ Cable bushing
- ⑩ Grounding clip
- ⑪ Cable ties (x8)

# Installation



## 1 Turn off the Power

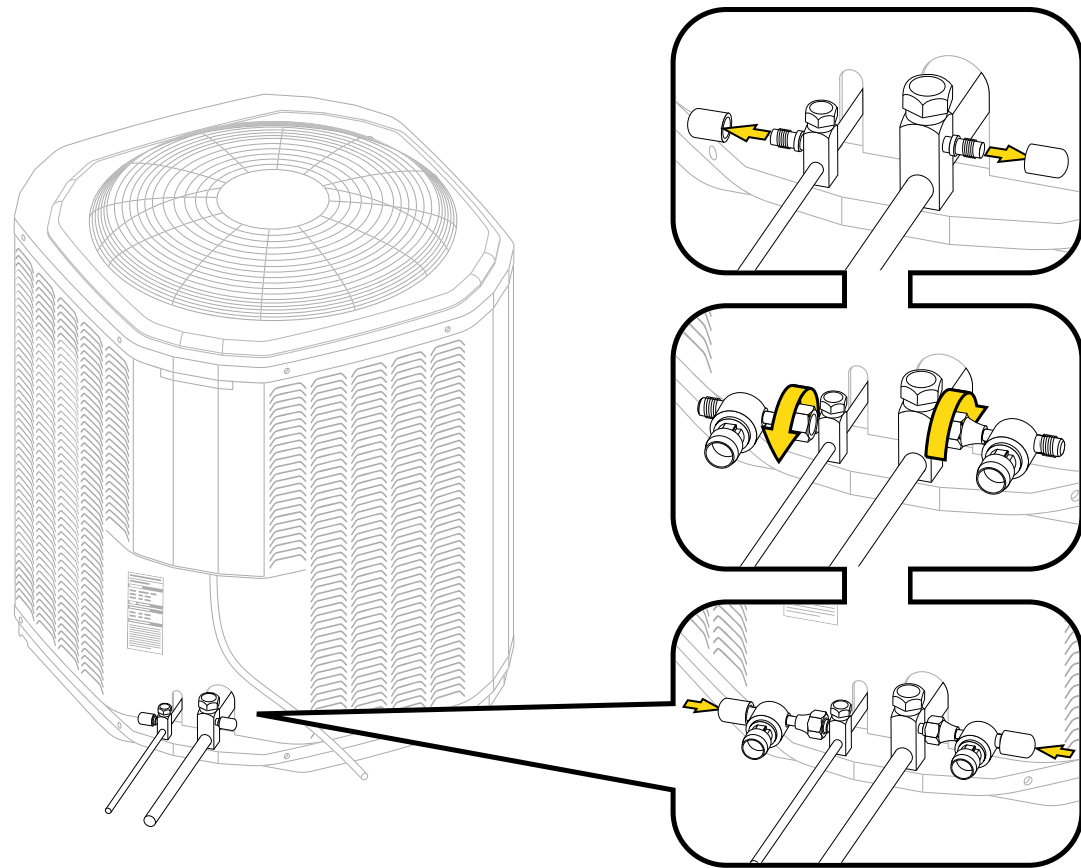
Switch the power to the air conditioner to the OFF position.



**WARNING:** RISK OF ELECTRIC SHOCK CAN CAUSE INJURY OR DEATH: DISCONNECT ALL REMOTE ELECTRIC POWER SUPPLIES BEFORE SERVICING

## 2 Attach pressure sensors

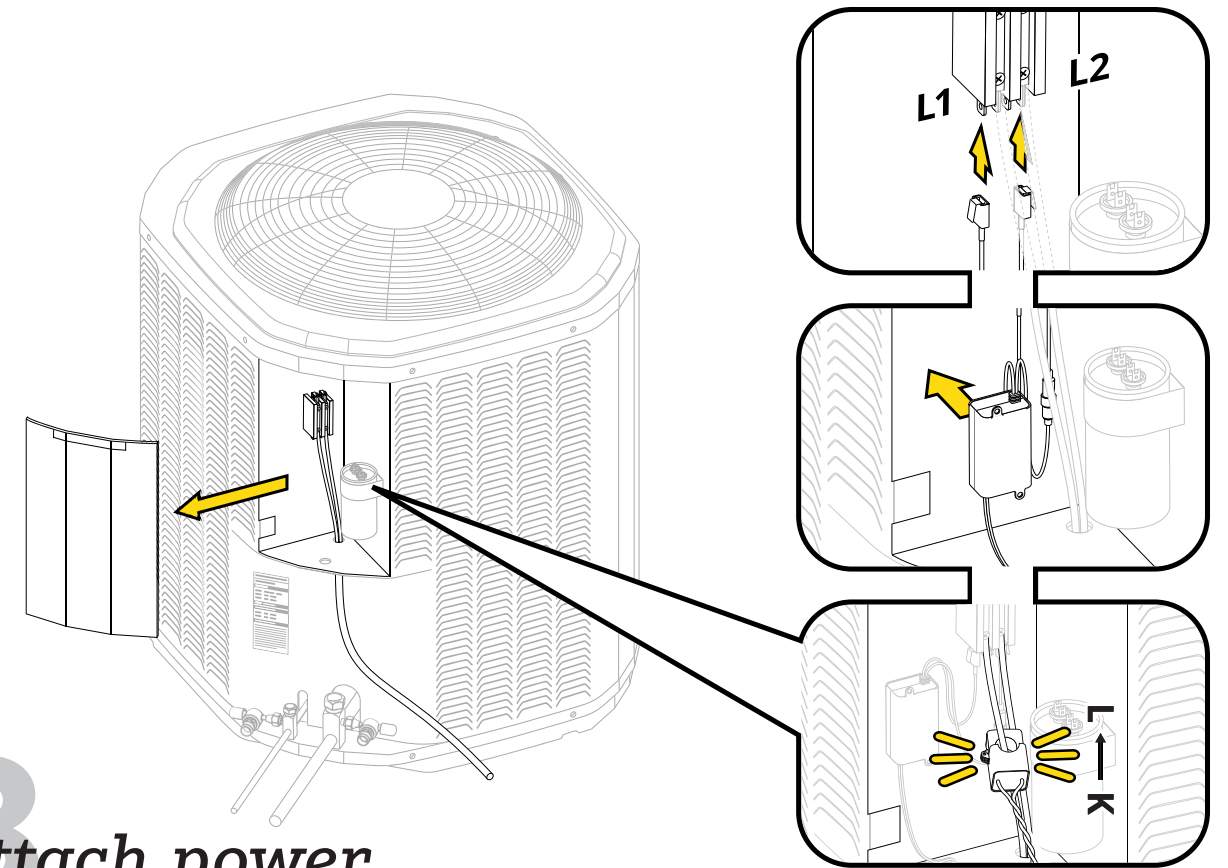
Remove the protective caps from the refrigerant service ports. Using an adjustable wrench and protective gloves, tightly screw the pressure sensors onto the service ports. Make sure the connectors on top of the sensors are horizontal to prevent water from collecting inside the sensor. Replace the caps onto the servicing end of the pressure sensors and verify that there are no refrigerant leaks.

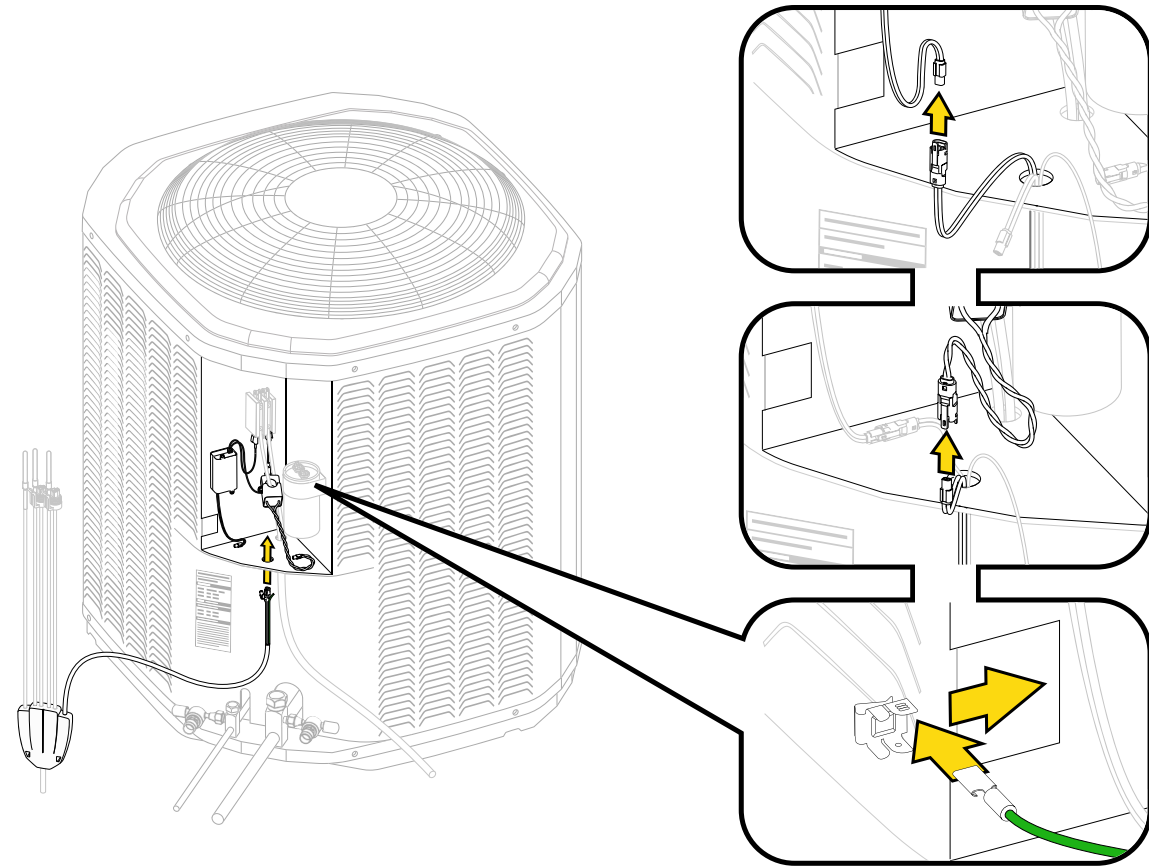


## 3 Attach power

**NOTE:** CLASS 2 WIRING TO BE ROUTED SUCH THAT IT WILL NOT COME INTO CONTACT WITH LINE VOLTAGE WIRING

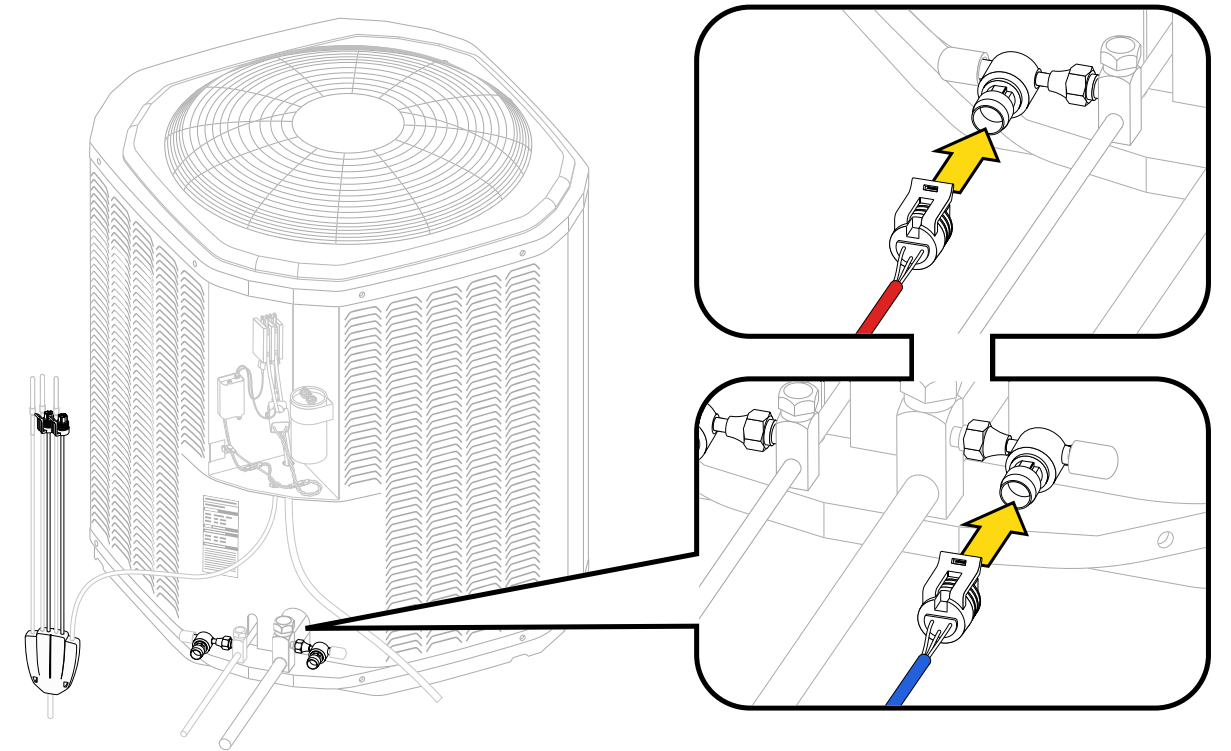
Remove the service panel from the rear of the A/C unit. Attach the quick disconnect terminals from the Sentrete power supply to unused L1 and L2 1/4" quick connect terminals on the inlet power / line side of the A/C unit's contactor. Use the included alcohol wipe to clean the surface inside the electrical compartment. Peel the adhesive pad on the power supply and attach it to the clean surface. Clip the current sensor around ONE of either of the supply L1 or L2 mains cables (coming from the disconnect box located on the house), making sure that the arrow on the inner surface of the sensor points toward the contactor. Check that the latch on the sensor is closed properly.





## 4 Connection of low voltage power harness (Class 2)

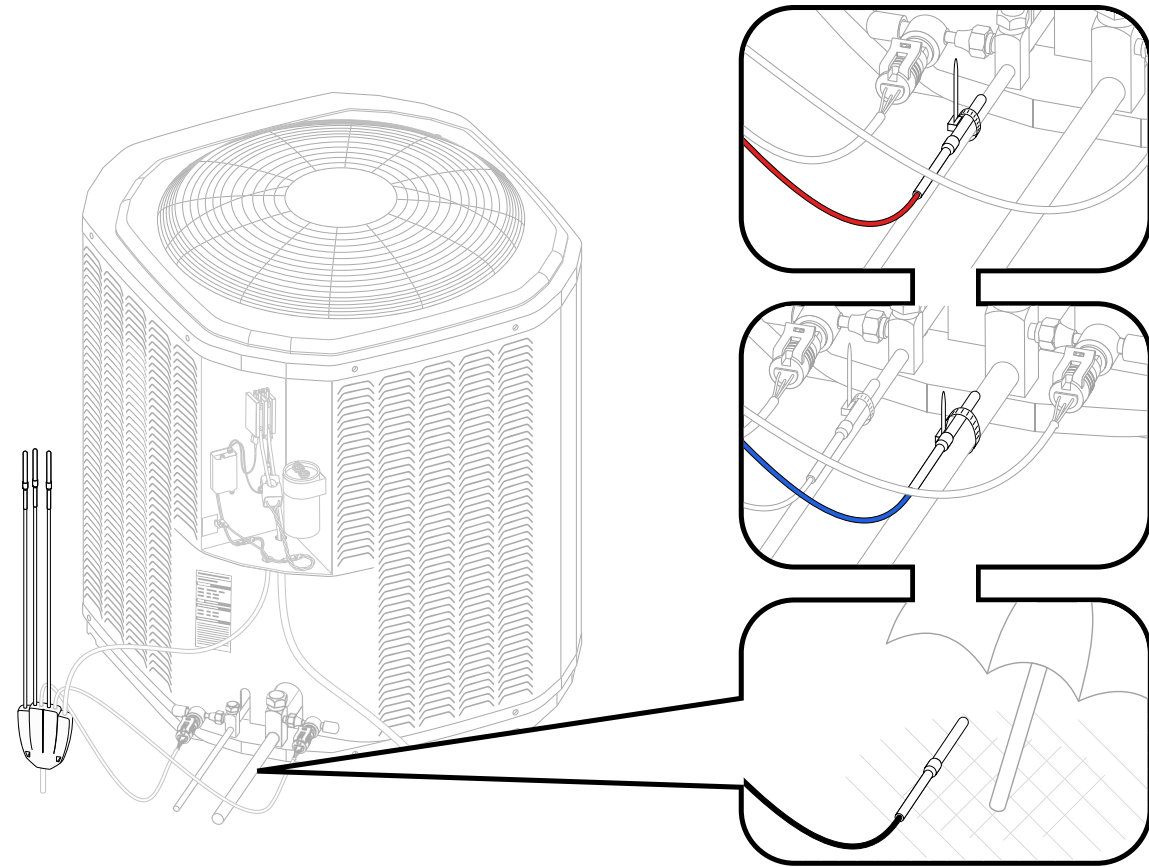
Locate an electrical knock-out or cable pass-through, and pass the power cable from the harness (⚡) into the electrical compartment. Plug the output leads of the power supply and current sensor leads into the connectors on the harness. Attach the included grounding clip onto an exposed sheet metal edge in the electrical compartment. Connect the end of the harness green grounding wire (with the 1/4" female quick connect terminal) onto the mating spade that is integral the grounding clip until it clicks. Secure the power cable in the knock-out using the included cable bushing or cable tie.



## 5 Connect pressure sensors

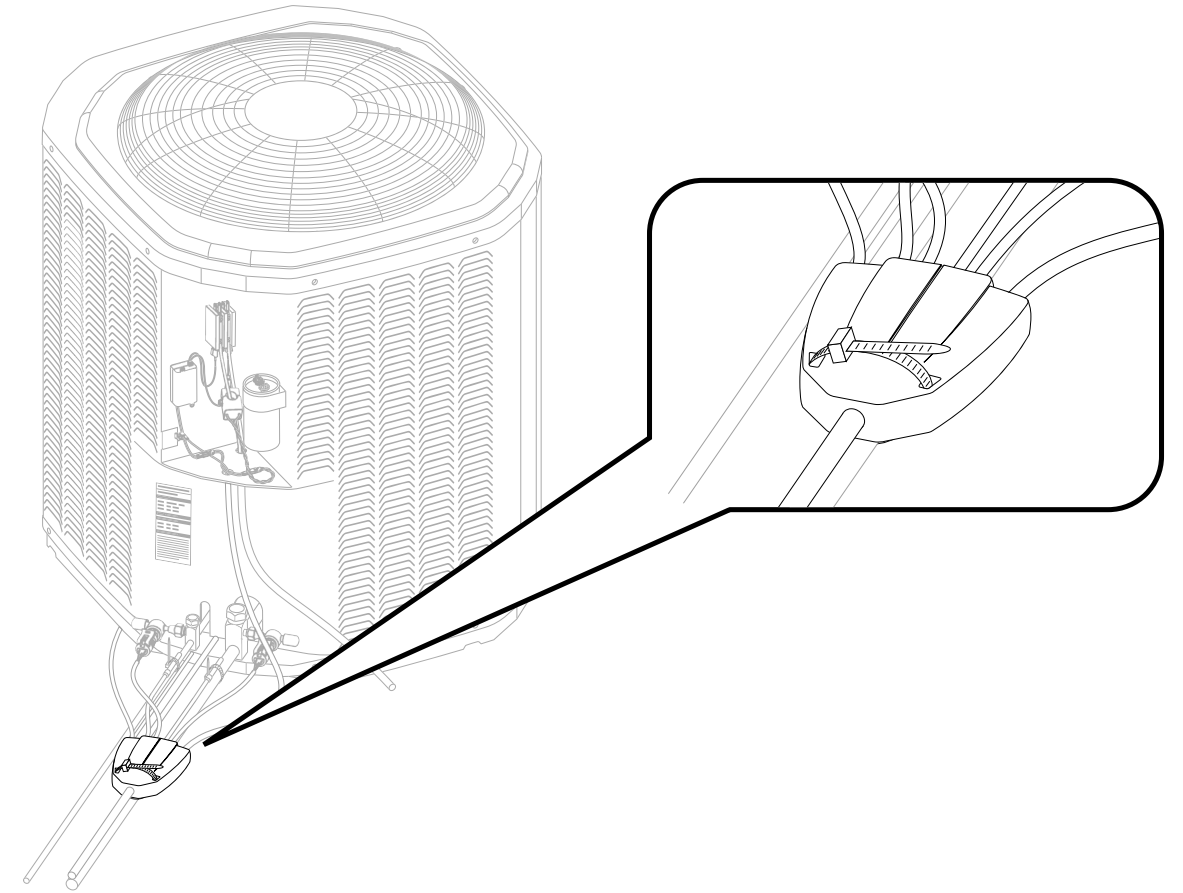
Connect the red cable on the harness to the liquid line pressure sensor. Connect the blue cable on the harness to the vapor line pressure sensor. Arrange both pressure sensor cables in a drip loop.





## 6 Secure temperature sensors

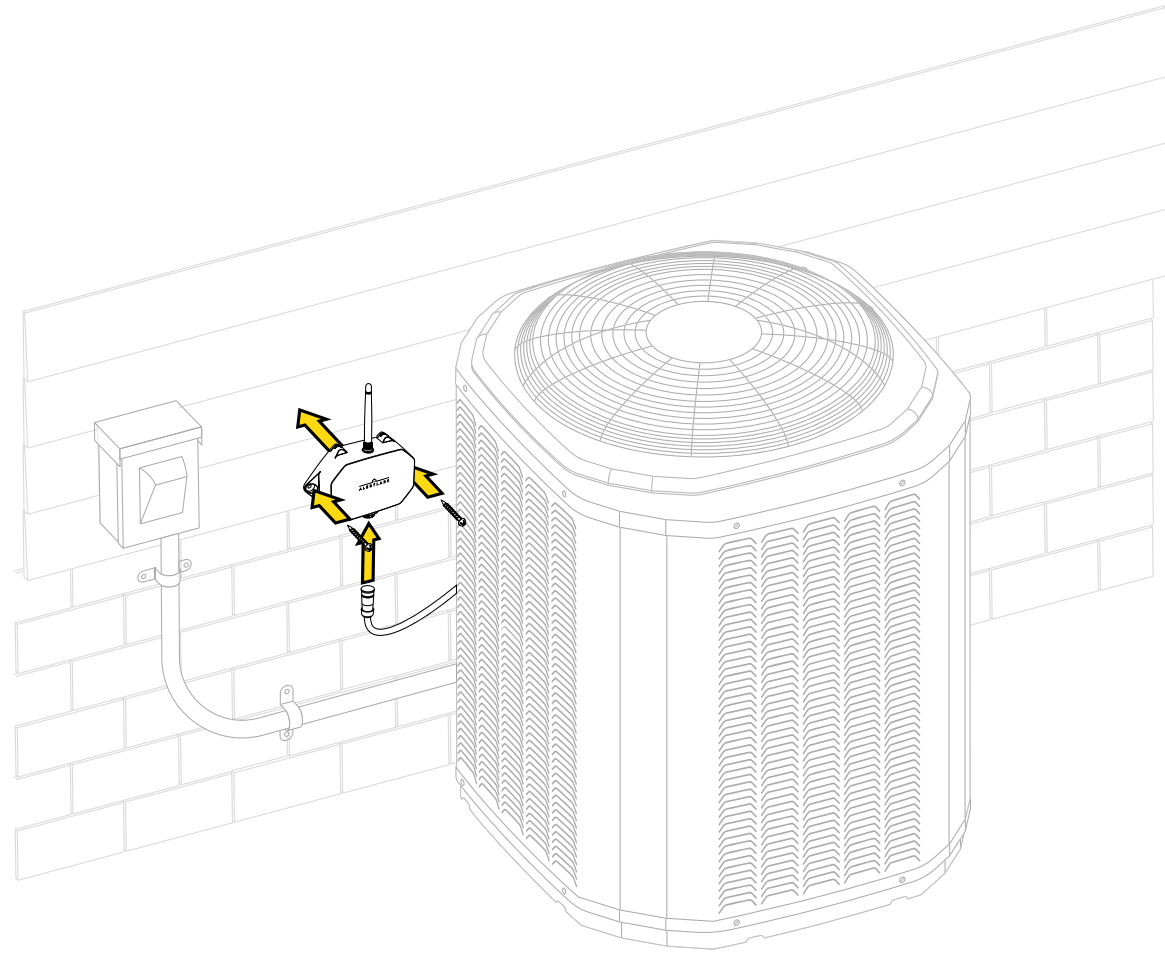
Tightly secure the liquid line (💧 / red) and vapor line (💨 / blue) temperature sensors on the harness to their respective pipelines using the included cable ties, then wrap with foam tape. Attach the ambient (☁️ / black) temperature sensor to a shaded location near the A/C unit, suspended in free air and out of direct sunlight.



## 7 Mount the harness

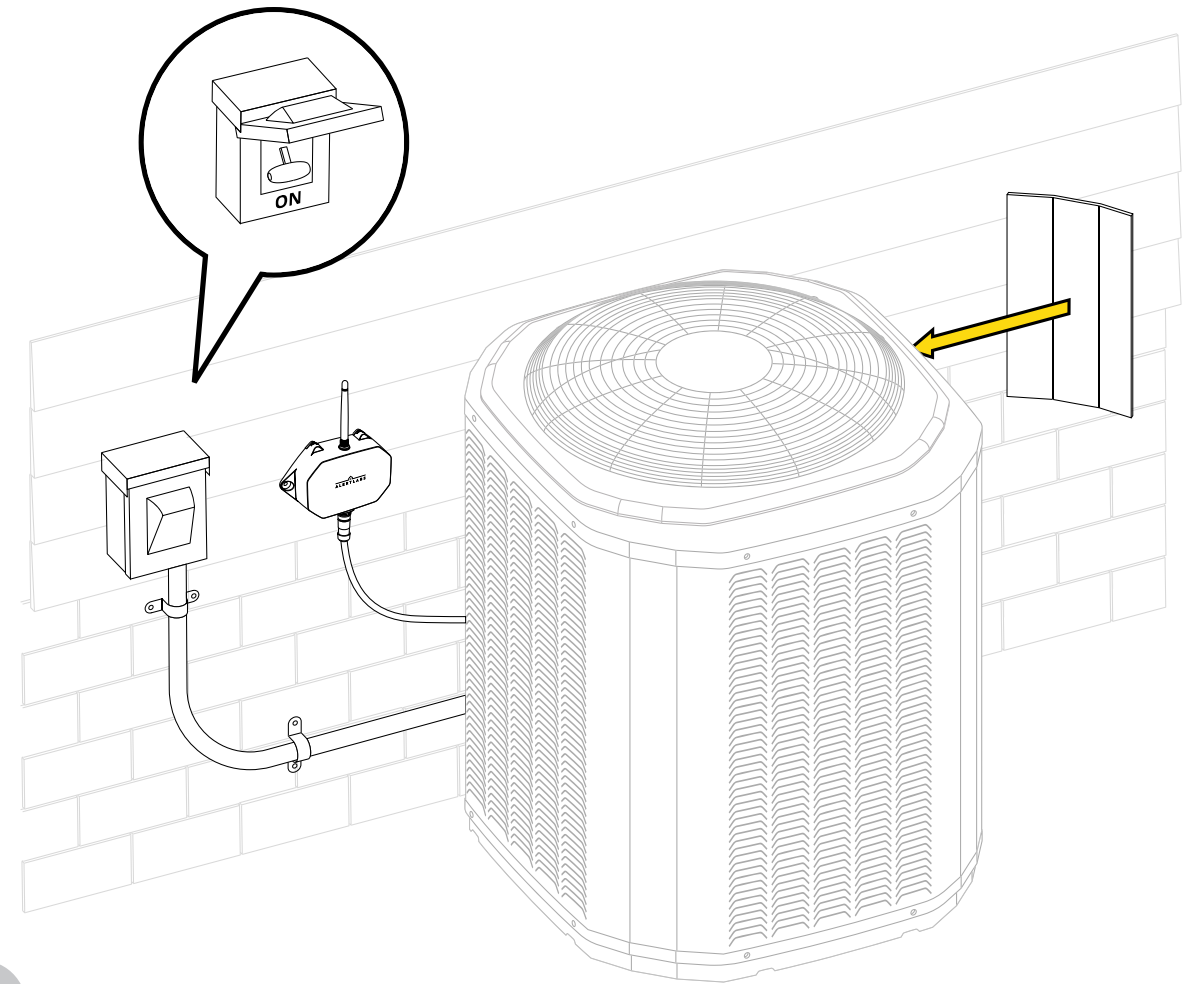
Attach the harness overmold to a secure location outside of the A/C unit, such as the A/C support bracket, or the vapor line. A cable tie is provided.





## 8 Mount the unit

Plug the primary cable from the harness into the Sentree main housing by pressing the connector in and twisting. Mount the Sentree main housing to a secure, vertical surface with appropriate screws (not included).



## 9 Finishing up

Replace the service panel on the A/C unit and switch the power back to the ON position. The indicator light on Sentree will flash red. Monitor the light until it turns green (up to 2 minutes), indicating a good cellular signal has been achieved.

Sign in at [alertlabs.com](https://www.alertlabs.com) to register and activate the Sentree unit.

## *Need help?*

For additional help, or in case of issue, visit [alertlabs.com/support](https://alertlabs.com/support) or contact us at [help@alertlabs.com](mailto:help@alertlabs.com)

