

Specification Guide

HE, HH, LA/LH Series Evaporator Coils



Contents	Page
HE Series A-Coils	
Features	2
Nomenclature	3
Specifications.....	4
Pallet Quantities.....	14
HH Series Horizontal Slab Coils	
Features & Nomenclature	16
Specifications.....	17
LALH Series Large Tonnage "A" and "H" Coils	
Features & Nomenclature	18
Specifications.....	19



Product improvement is a continuous process at Advanced Distributor Products. Therefore, product specifications are subject to change without notice and without obligation on our part. Please contact your ADP representative or distributor to verify details.
© by Advanced Distributor Products. All rights reserved.

HE Series – Product Features

- High efficiency lanced fin design.
- “No-hassle” 5 year warranty.
- R-22, R-410A, AC & Heat Pump compatible.
- All coils have durable packaging with bar coded labels on the box.
- Threaded expansion valves available factory installed or as a field installed kit.
- Coils are air pressure tested at 500 psi, leak tested with helium, sealed with rubber plugs, then charged with dry air.
- Piston options include externally accessible body for easy piston change out and/or TXV installation.
- Liquid line refrigerant connections are 3/8" ODF.
- Suction line refrigerant connections are 3/4" ODF (A-Coil 18-36 size models) or 7/8" ODF (A-Coil 42-60 size models & all Horizontal Slab-Coils).
- Suction line refrigerant connections are 1.125" on slab numbers E43, E46, E56, and E65 for size 42 models and higher.
- Copper refrigerant connections for easy brazing on both copper and aluminum slab models.
- Cased coils have heavy gauge embossed galvanized cabinets fully lined with 5/8" foil faced insulation.
- Optional painted cabinets.
- Corrosion resistant coil header plates.
- All A-Coils are upflow or downflow capable.
- All multi-position coils are upflow, downflow, and left or right airflow capable.
- Cabinet insulation hold down tabs for easy drain pan removal.
- Interlocking doors reduce air leakage and allow for easy access.
- Enhanced refrigerant pipe grommets: secure, tight, and easy to install.
- Intertek lab tested 1% or less cabinet air leakage for better efficiency.
- Foam drain seal for reduced air leakage.
- Non-captive refrigerant lines with long stubs make for easy installation.
- All multi-position coils are field convertible from horizontal right-to-left airflow and horizontal left-to-right airflow.
- Dual 3/4" FPT condensate drains on front-left and front-right side of drain pans.
- UV resistant drain pans are molded of high temperature (450 deg. F) engineered polymer.
- Microban® antimicrobial additive to inhibit the growth of mold and mildew in the drain pan.
- HydroTEC™ low water retention drain pan.
- Expansion valve with improved temperature sensing:
 1. Mounted inside cabinet to prevent external sweating
 2. Bulb clamped standard factory installed
 3. Wrapped bulb optional factory installed

WARNING—Face velocity above 350 ft/min. is not recommended for downflow or counterflow applications due to potential water blow-off.

HE Series – Nomenclature

H G30 2 24 C 145 B 12 05 AP

Cabinet Color

- H = Embossed
- A = Armstrong
- D = Ducane/Aire-Flo
- G = ICP
- J = Goodman/Amana
- L = Lennox
- N = Nordyne
- P = Carrier/Bryant/Payne
- R = Rheem/Ruud
- T = Trane/American Std.
- Y = York/Luxaire/Coleman

Slab Number

- E & A = Copper slab
- G & B = Aluminum slab

Metering Device

- 1 = Piston (R-410A)
- 2 = Piston (R-22)
- 3 = Bleed A/C TXV (R-22)
- 4 = Non-bleed A/C TXV (R-22)
- 5 = Non-bleed HP-A/C TXV (R-22)
- 6 = Non-bleed A/C TXV (R-410A)
- 9 = Non-bleed HP-A/C TXV (R-410A)

Nominal MBTUH

Cabinet Depth

- A = Uncased D = 21.0"
- C = 20.5" E = 21.5"

Width

<u>Cased</u>	<u>Uncased</u>
140 = 14"	130 = 13"
142 = 14.25"	140 = 14"
145 = 14.5"	155 = 15.5"
175 = 17.5"	170 = 17"
210 = 21"	200 = 20"
245 = 24.5"	205 = 20.5"
255 = 25.5"	235 = 23.5"
	251 = 25.1"

Piston Size ^[1]

AP = TXV access port ^[2]

MBTUH	R-22	R-410A
12 =	41	41
18 =	53	49
24 =	59	53
30 =	67	59
36 =	73	67
42 =	80	73
48 =	84	76
60 =	93	93

[1] Piston will always be sized to match the nominal BTU rating of the coil.

[2] TXV access port standard on factory installed TXVs; optional on piston models.

Product Code ^[3]

- 00 = Right-hand uncased
- 01 = Right-hand cased
- 04 = Left-hand uncased
- 05 = Left-hand cased
- 20 = Right-hand cased multi-position
- 22 = Left-hand cased multi-position

[3] Refrigerant connections and exposed drain connections are both on the left or right side as indicated.

Cabinet Height

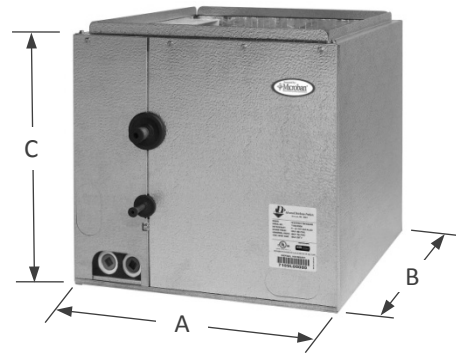
- 00 = Uncased Note: Cabinet height not a selectable option, see cased dimensions.
- 12 = 12.5"
- 16 = 16.5"
- 18 = 18.5" (up to 31.5")

Cabinet Upper Notch

- A = Uncased
- B = .75" (standard)

A = Width
 B = Depth
 C = Height (excluding 3/4" top flange)

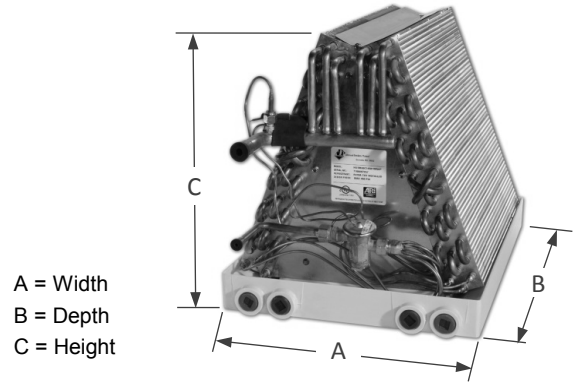
Supply Opening: (A - 1.5") x (B - 1.5")
 Return Opening: (A - 1.0") x (B - 0.5")



HE Series – Specifications

[1] E & A = Copper slab; G & B = Aluminum slab.

Cased Dimensions							
Slab ^[1] Number	Nominal MBTUH	Width [A] (1/4" increments)		Depth [B] (1/2" increments)	Height [C]		Notes
		Vertical	Multi-Position		Vert	Multi-Pos	
(A,B) 01	18	13.25" - 20.00"	13.50" - 20.25"	20.5" - 21.5"	12.5"	16.5"	--
	24						
(A,B) 02	18	13.25" - 20.00"	13.50" - 20.25"	20.5" - 21.5"	16.5"	16.5"	--
	24						
	30						
(A,B) 03	24	13.25" - 24.50"	13.50" - 24.50"	20.5" - 21.5"	16.5"	16.5"	--
	30						
	36	14.25" - 24.50"	14.50" - 24.50"				
(A,B) 04	30	13.25" - 26.75"	13.50" - 26.75"	20.5" - 21.5"	18.5"	20.5"	--
	36	14.25" - 26.75"	14.50" - 26.75"				
	42	15.75" - 26.75"	16.00" - 26.75"				
(A,B) 05	30	13.25" - 26.75"	13.50" - 26.75"	20.5" - 21.5"	20.5"	20.5"	--
	36	14.25" - 26.75"	14.50" - 26.75"				
	42	15.75" - 26.75"	16.00" - 26.75"				
	48	17.25" - 26.75"	17.50" - 26.75"				
(A,B) 06	36	14.25" - 26.75"	14.50" - 26.75"	20.5" - 21.5"	25.5"	25.5"	--
	42	15.75" - 26.75"	16.00" - 26.75"				
	48	17.25" - 26.75"	17.50" - 26.75"				
(A,B) 07	36	** 14.25" - 26.75"	** 14.50" - 26.75"	20.5" - 21.5"	** 25.5"	** 25.5"	** If cabinet width is 17" or less for upflow or 17.25" for multi-position, cabinet height must be 27.5".
	42	** 15.75" - 26.75"	** 16.00" - 26.75"				
	48	17.25" - 26.75"	17.50" - 26.75"				
	60	20.25" - 26.75"	20.50" - 26.75"				
(A,B) 08	18	13.25" - 17.50"	13.50" - 17.75"	20.5" - 21.5"	12.5"	16.5"	--
	24						
(A,B) 09	18	13.25" - 21.00"	13.50" - 21.25"	20.5" - 21.5"	16.5"	16.5"	--
	24						
	30						
(A,B) 10	24	13.25" - 21.00"	13.50" - 21.00"	20.5" - 21.5"	16.5"	16.5"	--
	30						
	36	14.25" - 21.00"	14.50" - 21.00"				
(A,B) 11	36	14.25" - 26.75"	14.50" - 26.75"	20.5" - 21.5"	18.5"	20.5"	--
	42	15.75" - 26.75"	16.00" - 26.75"				
(A,B) 12	36	14.25" - 26.75"	14.50" - 26.75"	20.5" - 21.5"	20.5"	20.5"	--
	42	15.75" - 26.75"	16.00" - 26.75"				
	48	17.25" - 26.75"	17.50" - 26.75"				
(A,B) 13	36	14.25" - 26.75"	14.50" - 26.75"	20.5" - 21.5"	** 25.5"	** 25.5"	** 22.5" height available in H, R & T colors.
	42	15.75" - 26.75"	16.00" - 26.75"				
	48	17.25" - 26.75"	17.50" - 26.75"				



HE Series – Specifications

[1] E & A = Copper slab; G & B = Aluminum slab.

[2] Face velocity **above 350 ft/min** not recommended for downflow applications due to potential water blow-off.

Uncased Dimensions and Airflow Data												Weights							
Slab ^[1] Number	Nominal MBTUH	CFM	Face Vel. ^[2] (fpm)	Wet Coil Air Pressure Drop (inches W.C.) by Drain Pan Width [A]							Pan Depth [B]	Coil Height [C]	Copper Slab			Alum Slab			
				13"	14"	15.5"	17"	20"	20.5"	23.5"			25.12"	Unc	Csd Vert	Csd MP	Unc	Csd Vert	Csd MP
(A,B) 01	18	600	270	.16	.14	.12	.09	-	-	-	-	19.5"	11"	17	25	30	14	20	24
	24	800	360	.21	.19	.16	.10	-	-	-	-			19	39	35	15	31	28
(A,B) 02	18	600	224	.15	.13	.10	.09	-	-	-	-	19.5"	13"	22	32	37	18	26	30
	24	800	299	.18	.15	.13	.12	-	-	-	-			24	36	40	19	29	32
	30	1000	375	.22	.20	.18	.17	-	-	-	-			27	40	45	22	32	36
(A,B) 03	24	800	257	.17	.13	.10	.09	-	-	-	-	19.5"	15"	30	42	48	24	34	38
	30	1000	321	.23	.17	.15	.14	-	-	-	-			33	46	52	26	37	42
	36	1200	386	-	.23	.20	.19	-	-	-	-			36	50	56	29	40	45
(A,B) 04	30	1000	281	.21	.16	.14	.12	.09	-	-	-	19.5"	17"	39	44	50	24	35	40
	36	1200	337	-	.22	.20	.17	.16	-	-	-			42	48	54	27	40	44
	42	1400	393	-	-	.26	.22	.20	-	-	-			45	50	56	29	40	45
(A,B) 05	30	1000	250	.19	.14	.13	.10	.09	-	-	-	19.5"	19"	48	50	56	29	40	45
	36	1200	300	-	.21	.17	.17	.15	-	-	-			50	56	62	31	42	47
	42	1400	350	-	-	.25	.20	.18	-	-	-			52	58	64	33	44	49
(A,B) 06	48	1600	400	-	-	-	.26	.22	-	-	-	19.5"	21"	54	58	64	35	46	51
	36	1200	270	-	.19	.18	.16	.12	-	-	-			56	62	68	37	48	53
	42	1400	315	-	-	.24	.19	.15	-	-	-			58	64	70	39	50	55
(A,B) 07	48	1600	360	-	-	-	.24	.20	-	-	-	19.5"	25"	60	64	70	41	52	57
	36	1200	225	-	.18	.18	.14	.06	-	-	-			62	68	74	43	54	59
	42	1400	263	-	-	.23	.20	.16	-	-	-			64	70	76	45	56	61
(A,B) 08	48	1600	300	-	-	-	.23	.19	-	-	-	19.5"	11"	66	70	76	47	58	63
	36	1200	225	-	.18	.18	.14	.06	-	-	-			68	74	80	49	60	65
	42	1400	263	-	-	.23	.20	.16	-	-	-			70	76	82	51	62	67
(A,B) 09	60	2000	375	-	-	-	.25	-	-	-	-	19.5"	13"	72	76	82	53	64	69
	18	600	270	.20	.18	.15	-	-	-	-	-			74	80	86	55	66	71
	24	800	360	.25	.20	.18	-	-	-	-	-			76	82	88	57	68	73
(A,B) 10	18	600	224	.19	.14	.11	.09	-	-	-	-	19.5"	15"	78	82	88	59	70	75
	24	800	299	.22	.17	.13	.12	-	-	-	-			80	86	92	61	72	77
	30	1000	375	.25	.21	.17	.16	-	-	-	-			82	88	94	63	74	79
(A,B) 11	24	800	257	.17	.13	.11	.09	-	-	-	-	19.5"	17"	84	88	94	65	76	81
	30	1000	321	.23	.17	.15	.12	-	-	-	-			86	92	98	67	78	83
	36	1200	386	-	.23	.21	.19	-	-	-	-			88	94	100	69	80	85
(A,B) 12	36	1200	337	-	.22	.20	.16	.15	-	-	-	19.5"	19"	90	94	100	71	82	87
	42	1400	393	-	-	.26	.20	.19	-	-	-			92	98	104	73	84	89
	48	1600	400	-	-	-	.26	.22	-	-	-			94	100	106	75	86	91
(A,B) 13	36	1200	300	-	.21	.19	.17	.09	-	-	-	19.5"	21"	96	100	106	77	88	93
	42	1400	315	-	-	.24	.19	.17	-	-	-			98	104	110	79	90	95
	48	1600	360	-	-	-	.24	.23	-	-	-			100	106	112	81	92	97

HE Series – Specifications

[1] E & A = Copper slab; G & B = Aluminum slab.

		Cased Dimensions					
Slab ^[1] Number	Nominal MBTUH	Width [A] (1/4" increments)		Depth [B] (1/2" increments)	Height [C]		Notes
		Vertical	Multi-Position		Vert	Multi-Pos	
(A,B) 14	36	14.25" - 26.75"	14.50" - 26.75"	20.5" - 21.5"	25.5"	25.5"	--
	42	15.75" - 26.75"	16.00" - 26.75"				
	48	17.25" - 26.75"	17.50" - 26.75"				
	60	20.25" - 26.75"	20.50" - 26.75"				
(A,B) 15	36	** 14.25" - 26.75"	** 14.50" - 26.75"	20.5" - 21.5"	** 25.5"	** 25.5"	** If cabinet width is 17" or less for upflow or 17.25" for multi-position, cabinet height must be 27.5".
	42	** 15.75" - 26.75"	** 16.00" - 26.75"				
	48	17.25" - 26.75"	17.50" - 26.75"				
	60	20.25" - 26.75"	20.50" - 26.75"				
(A,B) 91	42	25.50" - 26.75"	--	21.0" - 21.5"	25.5"	--	Not available in multi-position.
	48						
	60						
(E,G) 20	18	13.25" - 20.00"	13.50" - 20.25"	20.5" - 21.5"	12.5"	16.5"	--
	24						
(E,G) 21	18	13.25" - 20.00"	13.50" - 20.25"	20.5" - 21.5"	** 16.5"	** 16.5"	** 16.5" height available in all colors. ** 14.5" height available in P color (D & E depths only).
	24						
	30						
(E,G) 22	18	13.25" - 24.50"	13.50" - 24.50"	20.5" - 21.5"	16.5"	16.5"	--
	24						
	30						
	36						
(E,G) 23	24	13.25" - 26.75"	13.50" - 26.75"	20.5" - 21.5"	18.5"	20.5"	--
	30						
	36						
	42						
(E,G) 24	36	14.25" - 21.00"	14.50" - 21.25"	20.5" - 21.5"	20.5"	20.5"	--
	42						
	48						
(E,G) 25	36	14.25" - 21.00"	14.50" - 21.25"	20.5" - 21.5"	** 25.5"	** 25.5"	** 25.5" height available in all colors. ** 22.5" height avail in H, R & T colors. ** 21.5" height available in P color (D & E depths only).
	42						
	48						
(E,G) 26	42	15.75" - 26.75"	16.00" - 26.75"	20.5" - 21.5"	** 25.5"	** 25.5"	** 25.5" height available in all colors. ** 24.5" height available in P color (D & E depths only).
	48						
	60						
(E,G) 27	42	** 15.75" - 26.75"	** 16.00" - 26.75"	20.5" - 21.5"	** 25.5"	** 25.5"	** If cabinet width is 17" or less for upflow or 17.25" for multi-position, cabinet height must be 27.5".
	48						
	60						
(E,G) 30	18	13.25" - 17.50"	13.50" - 17.75"	20.5" - 21.5"	12.5"	16.5"	--
	24						
(E,G) 31	18	13.25" - 21.00"	13.50" - 21.25"	20.5" - 21.5"	** 16.5"	** 16.5"	** 16.5" height available in all colors. ** 14.5" height available in P color (D & E depths only).
	24						
	30						
(E,G) 32	24	13.25" - 21.00"	13.50" - 21.00"	20.5" - 21.5"	16.5"	16.5"	--
	30						
	36						
(E,G) 33	24	14.25" - 24.50"	14.50" - 24.50"	20.5" - 21.5"	18.5"	20.5"	--
	30						
	36						
(E,G) 34	30	14.25" - 26.75"	14.50" - 26.75"	20.5" - 21.5"	20.5"	20.5"	--
	36						
	42						

HE Series – Specifications

[1] E & A = Copper slab; G & B = Aluminum slab.

[2] Face velocity **above 350 ft/min** not recommended for downflow applications due to potential water blow-off.

		Uncased Dimensions and Airflow Data										Weights							
Slab ^[1] Number	Nominal MBTUH	CFM	Face Vel. ^[2] (fpm)	Wet Coil Air Pressure Drop (inches W.C.) by Drain Pan Width [A]								Pan Depth [B]	Coil Height [C]	Copper Slab			Alum Slab		
				13"	14"	15.5"	17"	20"	20.5"	23.5"	25.12"			Unc	Csd Vert	Csd MP	Unc	Csd Vert	Csd MP
(A,B) 14	36	1200	245	-	.18	.18	.14	.06	-	-	-	19.5"	23"	38	54	60	30	43	48
	42	1400	286	-	-	.23	.20	.16	-	-	-								
	48	1600	327	-	-	-	.23	.19	-	-	-								
	60	2000	409	-	-	-	-	.24	-	-	-								
(A,B) 15	36	1200	225	-	.16	.18	.14	.06	-	-	-	19.5"	25"	42	58	64	34	46	51
	42	1400	262	-	-	.23	.20	.16	-	-	-								
	48	1600	300	-	-	-	.23	.19	-	-	-								
	60	2000	375	-	-	-	-	.24	-	-	-								
(A,B) 91	42	1400	200	-	-	-	-	-	-	-	0.22	20"	25"	54	70	76	43	56	61
	48	1600	229	-	-	-	-	-	-	-	0.26								
	60	2000	286	-	-	-	-	-	-	-	0.36								
(E,G) 20	18	600	270	.21	.19	.17	-	-	-	-	-	19.5"	11"	18	26	31	14	21	25
	24	800	360	.26	.24	.21	-	-	-	-	-								
(E,G) 21	18	600	224	.20	.18	.15	.14	-	-	-	-	19.5"	13"	20	30	35	16	24	28
	24	800	299	.23	.20	.18	.17	-	-	-	-								
	30	1000	375	.27	.25	.23	.22	-	-	-	-								
(E,G) 22	18	600	193	.18	.15	.12	.11	-	-	-	-	19.5"	15"	23	33	38	18	26	30
	24	800	257	.22	.18	.15	.14	-	-	-	-								
	30	1000	321	.28	.22	.20	.19	-	-	-	-								
	36	1200	386	-	.28	.25	.24	-	-	-	-								
(E,G) 23	24	800	225	.21	.16	.15	.12	.11	-	-	-	19.5"	17"	26	38	45	21	30	36
	30	1000	281	.26	.21	.19	.17	.15	-	-	-								
	36	1200	337	-	.27	.25	.22	.20	-	-	-								
	42	1400	393	-	-	.31	.27	.24	-	-	-								
(E,G) 24	36	1200	300	-	.29	.25	.20	.19	-	-	-	19.5"	19"	27	40	47	22	32	38
	42	1400	350	-	-	.30	.25	.21	-	-	-								
	48	1600	400	-	-	-	.31	.29	-	-	-								
(E,G) 25	36	1200	270	-	.28	.26	.19	.18	-	-	-	19.5"	21"	32	46	54	26	37	43
	42	1400	315	-	-	.29	.24	.22	-	-	-								
	48	1600	360	-	-	-	.29	.28	-	-	-								
(E,G) 26	42	1400	286	-	-	.29	.26	.22	-	-	-	19.5"	23"	33	47	54	26	38	43
	48	1600	327	-	-	-	.29	.25	-	-	-								
	60	2000	409	-	-	-	-	.29	-	-	-								
(E,G) 27	42	1400	263	-	-	.28	.25	.21	-	-	-	19.5"	25"	36	52	57	29	42	46
	48	1600	300	-	-	-	.28	.24	-	-	-								
	60	2000	375	-	-	-	-	.29	-	-	-								
(E,G) 30	18	600	270	.28	.26	.23	-	-	-	-	-	19.5"	11"	22	29	36	18	23	29
	24	800	360	.30	.28	.26	-	-	-	-	-								
(E,G) 31	18	600	224	.27	.22	.19	.18	-	-	-	-	19.5"	13"	24	34	38	19	27	30
	24	800	299	.30	.25	.21	.20	-	-	-	-								
	30	1000	375	.30	.29	.25	.24	-	-	-	-								
(E,G) 32	24	800	257	.25	.21	.19	.17	-	-	-	-	19.5"	15"	28	40	46	22	32	37
	30	1000	321	.30	.25	.23	.20	-	-	-	-								
	36	1200	386	-	.30	.29	.27	-	-	-	-								
(E,G) 33	24	800	225	.24	.19	.18	.17	.14	-	-	-	19.5"	17"	32	44	50	26	35	40
	30	1000	281	.29	.24	.22	.19	.15	-	-	-								
	36	1200	337	-	.30	.28	.24	.20	-	-	-								
(E,G) 34	30	1000	250	.27	.22	.21	.18	.13	-	-	-	19.5"	19"	35	48	56	28	38	45
	36	1200	300	-	.29	.27	.25	.17	-	-	-								
	42	1400	350	-	-	.30	.28	.26	-	-	-								

HE Series – Specifications

[1] E & A = Copper slab; G & B = Aluminum slab.

		Cased Dimensions					
Slab ^[1] Number	Nominal MBTUH	Width [A] (1/4" increments)		Depth [B] (1/2" increments)	Height [C]		Notes
		Vertical	Multi-Position		Vert	Multi-Pos	
(E,G) 35	36	14.25" - 26.75"	14.50" - 26.75"	20.5" - 21.5"	** 25.5"	** 25.5"	** 25.5" height available in all colors. ** 22.5" height avail in H, R, & T colors. ** 21.5" height available in P color (D & E depths only).
	42	15.75" - 26.75"	16.00" - 26.75"				
	48	17.25" - 26.75"	17.50" - 26.75"				
(E,G) 36	36	14.25" - 26.75"	14.50" - 26.75"	20.5" - 21.5"	** 25.5"	** 25.5"	** 25.5" height available in all colors. ** 24.5" height available in P color (D & E depths only).
	42	15.75" - 26.75"	16.00" - 26.75"				
	48	17.25" - 26.75"	17.50" - 26.75"				
	60	20.25" - 26.75"	20.50" - 26.75"				
(E,G) 37	36	** 14.25" - 26.75"	** 14.50" - 26.75"	20.5" - 21.5"	** 25.5"	** 25.5"	** If cabinet width is 17" or less for upflow or 17.25" for multi-position, cabinet height must be 27.5".
	42	** 15.75" - 26.75"	** 16.00" - 26.75"				
	48	17.25" - 26.75"	17.50" - 26.75"				
	60	20.25" - 26.75"	20.50" - 26.75"				
(E,G) 41	42	25.50" - 26.75"	--	20.5" - 21.5"	25.5"	--	Not available in multi-position.
	48						
	60						
(E,G) 43 **	** 36	25.50" - 26.75"	--	20.5" - 21.5"	27.5"	--	Not available in multi-position. ** E43 3-ton not available with HP TXV.
	42						
	48						
	60						
(E,G) 46	42	24.50"	--	20.5" - 21.5"	29.5"	--	Not available in multi-position.
	48						
	60						
(E,G) 47	24	17.25" - 21.00"	17.50" - 21.00"	20.5" - 21.5"	29.5"	29.5"	--
	30						
	36						
(E,G) 48	36	** 14.50" - 26.75"	** 14.75" - 26.75"	20.5" - 21.5"	** 27.5"	** 27.5"	** If cabinet width is 17" or less for upflow or 17.25" for multi-position, cabinet height must be 29.5".
	42						
	48	17.25" - 26.75"	17.50" - 26.75"				
	60	20.25" - 26.75"	20.50" - 26.75"				
(E,G) 49	42	20.75" - 26.75"	21.00" - 26.75"	20.5" - 21.5"	27.5"	27.5"	--
	48						
	60						
(E,G) 50	42	20.75" - 26.75"	21.00" - 26.75"	20.5" - 21.5"	27.5"	27.5"	--
	48						
	60						
(E,G) 51	42	20.75" - 26.75"	21.00" - 26.75"	20.5" - 21.5"	31.5"	31.5"	--
	48						
	60						
(E,G) 52	42	20.75" - 26.75"	--	20.5" - 21.5"	31.5"	--	Not available in multi-position.
	48						
	60						
(E,G) 53	18	14.25" - 17.25"	--	20.5" - 21.5"	31.5"	--	Not available in multi-position.
	24						
	30	14.25" - 21.00"	--				
	36						
	48	17.25" - 26.75"	--				
(E,G) 54	42	20.50" - 26.75"	20.50" - 26.75"	20.5" - 21.5"	** 31.5"	** 31.5"	** 31.5" height available in all colors. ** 29.5" height available in P color (D & E depths only).
	48						
	60						
(E,G) 55	42	20.50" - 26.75"	20.50" - 26.75"	20.5" - 21.5"	31.5"	31.5"	--
	48						
	60						

HE Series – Specifications

[1] E & A = Copper slab; G & B = Aluminum slab.

[2] Face velocity **above 350 ft/min** not recommended for downflow applications due to potential water blow-off.

		Uncased Dimensions and Airflow Data										Weights							
Slab ^[1] Number	Nominal MBTUH	CFM	Face Vel. ^[2] (fpm)	Wet Coil Air Pressure Drop (inches W.C.) by Drain Pan Width [A]								Pan Depth [B]	Coil Height [C]	Copper Slab			Alum Slab		
				13"	14"	15.5"	17"	20"	20.5"	23.5"	25.12"			Unc	Csd Vert	Csd MP	Unc	Csd Vert	Csd MP
(E,G) 35	36	1200	270	-	.27	.26	.24	.20	-	-	-	19.5"	21"	39	53	60	31	42	48
	42	1400	315	-	-	.30	.27	.25	-	-	-								
	48	1600	360	-	-	-	.30	.30	-	-	-								
(E,G) 36	36	1200	245	-	.26	.26	.22	.14	-	-	-	19.5"	23"	41	57	64	33	46	51
	42	1400	286	-	-	.30	.25	.24	-	-	-								
	48	1600	327	-	-	-	.28	.27	-	-	-								
	60	2000	409	-	-	-	-	.30	-	-	-								
(E,G) 37	36	1200	225	-	.24	.26	.22	.14	-	-	-	19.5"	25"	45	61	65	36	49	52
	42	1400	262	-	-	.30	.28	.24	-	-	-								
	48	1600	300	-	-	-	.30	.27	-	-	-								
	60	2000	375	-	-	-	-	.29	-	-	-								
(E,G) 41	42	1400	200	-	-	-	-	-	-	-	.28	20"	25"	58	75	81	46	60	65
	48	1600	229	-	-	-	-	-	-	-	.29								
	60	2000	286	-	-	-	-	-	-	-	.30								
(E,G) 43 **	** 36	1200	158	-	-	-	-	-	-	-	.14	20"	27"	62	78	84	50	62	67
	42	1400	185	-	-	-	-	-	-	-	.18								
	48	1600	211	-	-	-	-	-	-	-	.23								
	60	2000	264	-	-	-	-	-	-	-	.33								
(E,G) 46	42	1400	183	-	-	-	-	-	-	.19	-	19.5"	29"	65	80	--	52	64	--
	48	1600	209	-	-	-	-	-	-	.24	-								
	60	2000	261	-	-	-	-	-	-	.34	-								
(E,G) 47	24	800	138	-	-	-	.10	-	-	-	-	19.5"	27"	50	66	72	40	53	58
	30	1000	173	-	-	-	.13	-	-	-	-								
	36	1200	208	-	-	-	.15	-	-	-	-								
(E,G) 48	36	1200	208	-	.27	.25	.21	.13	-	-	-	19.5"	27"	44	60	66	35	48	53
	42	1400	242	-	-	.29	.27	.23	-	-	-								
	48	1600	277	-	-	-	.29	.26	-	-	-								
	60	2000	346	-	-	-	-	.28	-	-	-								
(E,G) 49	42	1400	263	-	-	-	-	-	.28	-	-	19.5"	25"	47	63	69	38	50	55
	48	1600	300	-	-	-	-	-	.29	-	-								
	60	2000	375	-	-	-	-	-	.32	-	-								
(E,G) 50	42	1400	242	-	-	-	-	-	.27	-	-	19.5"	27"	50	66	72	40	53	58
	48	1600	277	-	-	-	-	-	.28	-	-								
	60	2000	346	-	-	-	-	-	.30	-	-								
(E,G) 51	42	1400	225	-	-	-	-	-	.25	-	-	19.5"	29"	55	73	79	44	58	63
	48	1600	257	-	-	-	-	-	.27	-	-								
	60	2000	322	-	-	-	-	-	.29	-	-								
(E,G) 52	42	1400	210	-	-	-	-	-	.18	-	-	19.5"	31"	62	77	--	50	62	--
	48	1600	240	-	-	-	-	-	.22	-	-								
	60	2000	300	-	-	-	-	-	.32	-	-								
(E,G) 53	18	600	90	-	.07	-	.06	-	-	-	-	19.5"	31"	50	62	--	40	50	--
	24	800	120	-	.11	-	.10	-	-	-	-								
	30	1000	150	-	.15	-	.14	.14	-	-	-								
	36	1200	180	-	.20	-	.19	.18	-	-	-								
	42	1400	210	-	-	-	.22	.21	-	-	-								
(E,G) 54	42	1400	225	-	-	-	-	.17	-	-	-	19.5"	29"	50	70	75	40	56	60
	48	1600	257	-	-	-	-	.21	-	-	-								
	60	2000	322	-	-	-	-	.30	-	-	-								
(E,G) 55	42	1400	210	-	-	-	-	.21	-	-	-	19.5"	31"	50	70	75	40	56	60
	48	1600	240	-	-	-	-	.29	-	-	-								
	60	2000	300	-	-	-	-	.35	-	-	-								

HE Series – Specifications

[1] E & A = Copper slab; G & B = Aluminum slab.

		Cased Dimensions					
Slab ^[1] Number	Nominal MBTUH	Width [A] (1/4" increments)		Depth [B] (1/2" increments)	Height [C]		Notes
		Vertical	Multi-Position		Vert	Multi-Pos	
(E,G) 56	42	24.50"	--	20.5" - 21.5"	27.5"	--	Not available in multi-position.
	48						
	60						
(E,G) 57	24	20.75" - 26.75"	21.00" - 26.75"	20.5" - 21.5"	27.5"	27.5"	--
	30						
	36						
(E,G) 65	42	24.50"	--	20.5" - 21.5"	31.5"	--	Not available in multi-position.
	48						
	60						
(E,G) 70	42	24.50"	--	20.5" - 21.5"	18.5"	--	Not available in multi-position.
	48						
	60						
(E,G) 71	42	24.50"	--	20.5" - 21.5"	** 25.5"	--	Not available in multi-position. ** 25.5" height available in all colors. ** 22.5" height avail in H, R, & T colors. ** 21.5" height available in P color (D & E depths only).
	48						
	60						
(E,G) 72	42	24.50"	--	20.5" - 21.5"	** 25.5"	--	Not available in multi-position. ** 25.5" height available in all colors. ** 24.5" height available in P color (D & E depths only).
	48						
	60						
(E,G) 73	42	24.50"	--	20.5" - 21.5"	25.5"	--	Not available in multi-position.
	48						
	60						
(E,G) 74	42	24.50"	--	20.5" - 21.5"	18.5"	--	Not available in multi-position.
	48						
	60						
(E,G) 75	42	24.50"	--	20.5" - 21.5"	** 25.5"	--	Not available in multi-position. ** 25.5" height available in all colors. ** 22.5" height avail in H, R, & T colors. ** 21.5" height available in P color (D & E depths only).
	48						
	60						
(E,G) 76	42	24.50"	--	20.5" - 21.5"	** 25.5"	--	Not available in multi-position. ** 25.5" height available in all colors. ** 24.5" height available in P color (D & E depths only).
	48						
	60						
(E,G) 77	42	24.50"	--	20.5" - 21.5"	25.5"	--	Not available in multi-position.
	48						
	60						

HE Series – Specifications

[1] E & A = Copper slab; G & B = Aluminum slab.

[2] Face velocity **above 350 ft/min** not recommended for downflow applications due to potential water blow-off.

		Uncased Dimensions and Airflow Data										Weights							
Slab ^[1] Number	Nominal MBTUH	CFM	Face Vel. ^[2] (fpm)	Wet Coil Air Pressure Drop (inches W.C.) by Drain Pan Width [A]								Pan Depth [B]	Coil Height [C]	Copper Slab			Alum Slab		
				13"	14"	15.5"	17"	20"	20.5"	23.5"	25.12"			Unc	Csd Vert	Csd MP	Unc	Csd Vert	Csd MP
(E,G) 56	42	1400	197	-	-	-	-	-	-	.21	-	19.5"	27"	68	83	--	54	66	--
	48	1600	225	-	-	-	-	-	-	.26	-								
	60	2000	281	-	-	-	-	-	-	.38	-								
(E,G) 57	24	800	138	-	-	-	-	-	.08	-	-	19.5"	27"	50	66	72	40	53	58
	30	1000	173	-	-	-	-	-	.12	-									
	36	1200	208	-	-	-	-	-	.16	-									
(E,G) 65	42	1400	171	-	-	-	-	-	.13	-	19.5"	31"	77	92	--	62	74	--	
	48	1600	195	-	-	-	-	-	.16	-									
	60	2000	244	-	-	-	-	-	.23	-									
(E,G) 70	42	1400	282	-	-	-	-	-	.23	-	19.5"	19"	44	55	--	35	44	--	
	48	1600	322	-	-	-	-	-	.28	-									
	60	2000	402	-	-	-	-	-	.43	-									
(E,G) 71	42	1400	252	-	-	-	-	-	.19	-	19.5"	21"	46	58	--	37	46	--	
	48	1600	288	-	-	-	-	-	.25	-									
	60	2000	360	-	-	-	-	-	.36	-									
(E,G) 72	42	1400	229	-	-	-	-	-	.17	-	19.5"	23"	48	60	--	38	48	--	
	48	1600	262	-	-	-	-	-	.21	-									
	60	2000	329	-	-	-	-	-	.29	-									
(E,G) 73	42	1400	211	-	-	-	-	-	.14	-	19.5"	25"	50	62	--	40	50	--	
	48	1600	240	-	-	-	-	-	.18	-									
	60	2000	300	-	-	-	-	-	.26	-									
(E,G) 74	42	1400	280	-	-	-	-	-	.27	-	19.5"	19"	47	59	--	38	47	--	
	48	1600	320	-	-	-	-	-	.34	-									
	60	2000	400	-	-	-	-	-	.51	-									
(E,G) 75	42	1400	254	-	-	-	-	-	.23	-	19.5"	21"	50	62	--	40	50	--	
	48	1600	288	-	-	-	-	-	.28	-									
	60	2000	362	-	-	-	-	-	.41	-									
(E,G) 76	42	1400	229	-	-	-	-	-	.20	-	19.5"	23"	52	65	--	42	52	--	
	48	1600	262	-	-	-	-	-	.24	-									
	60	2000	329	-	-	-	-	-	.35	-									
(E,G) 77	42	1400	211	-	-	-	-	-	.17	-	19.5"	25"	55	69	--	44	55	--	
	48	1600	241	-	-	-	-	-	.21	-									
	60	2000	302	-	-	-	-	-	.30	-									

HE Series – Specifications

[1] E & A = Copper slab; G & B = Aluminum slab.

Cased Dimensions							
Slab ^[1] Number	Nominal MBTUH	Width [A] (1/4" increments)		Depth [B] (1/2" increments)	Height [C]		Notes
		Vertical	Multi-Position		Vert	Multi-Pos	
(E,G) 80	18	14.25" - 21.00"	14.50" - 21.00"	20.5" - 21.5"	20.5"	20.5"	--
	24	14.25" - 24.50"	14.50" - 24.50"				
	30	14.25" - 24.50"	14.50" - 24.50"				
	36	14.25" - 24.50"	14.50" - 24.50"				
(E,G) 81	24	14.25" - 26.75"	14.50" - 26.75"	20.5" - 21.5"	20.5"	20.5"	--
	30	14.25" - 26.75"	14.50" - 26.75"				
	36	14.25" - 26.75"	14.50" - 26.75"				
(E,G) 82	24	14.25" - 26.75"	14.50" - 26.75"	20.5" - 21.5"	** 25.5"	** 25.5"	** 25.5" height available in all colors. ** 22.5" height available in H, R, & T colors.
	30	14.25" - 26.75"	14.50" - 26.75"				
	36	14.25" - 26.75"	14.50" - 26.75"				
(E,G) 83	24	14.25" - 26.75"	14.50" - 26.75"	20.5" - 21.5"	25.5"	25.5"	--
	30	14.25" - 26.75"	14.50" - 26.75"				
	36	14.25" - 26.75"	14.50" - 26.75"				
(E,G) 84	42	17.25" - 26.75"	17.50" - 26.75"	20.5" - 21.5"	25.5"	25.5"	--
	48	17.25" - 26.75"	17.50" - 26.75"				
	60	20.75" - 26.75"	21.00" - 26.75"				
(E,G) 85	24	14.25" - 26.75"	14.50" - 26.75"	20.5" - 21.5"	27.5"	27.5"	--
	30	14.25" - 26.75"	14.50" - 26.75"				
	36	14.25" - 26.75"	14.50" - 26.75"				
(E,G) 86	42	17.25" - 26.75"	17.50" - 26.75"	20.5" - 21.5"	27.5"	27.5"	--
	48	17.25" - 26.75"	17.50" - 26.75"				
	60	20.75" - 26.75"	21.00" - 26.75"				
(E,G) 87	24	** 14.25" - 26.75"	** 14.50" - 26.75"	20.5" - 21.5"	** 27.5"	** 27.5"	** If cabinet width is 20.75" or less for upflow or multi-position, cabinet height must be 29.5".
	30	** 14.25" - 26.75"	** 14.50" - 26.75"				
	36	** 14.25" - 26.75"	** 14.50" - 26.75"				
(E,G) 88	42	** 17.25" - 26.75"	17.50" - 26.75"	20.5" - 21.5"	** 27.5"	** 27.5"	** If cabinet width is 20.75" or less for upflow or multi-position, cabinet height must be 29.5".
	48	** 17.25" - 26.75"	17.50" - 26.75"				
	60	** 20.75" - 26.75"	21.00" - 26.75"				

HE Series – Specifications

[1] E & A = Copper slab; G & B = Aluminum slab.

[2] Face velocity **above 350 ft/min** not recommended for downflow applications due to potential water blow-off.

Uncased Dimensions and Airflow Data												Weights							
Slab ^[1] Number	Nominal MBTUH	CFM	Face Vel. ^[2] (fpm)	Wet Coil Air Pressure Drop (inches W.C.) by Drain Pan Width [A]								Pan Depth [B]	Coil Height [C]	Copper Slab			Alum Slab		
				13"	14"	15.5"	17"	20"	20.5"	23.5"	25.12"			Unc	Csd Vert	Csd MP	Unc	Csd Vert	Csd MP
(E,G) 80	18	600	169	-	.20	-	.19	-	-	-	-	19.5"	17"	40	48	53	32	38	42
	24	800	225	-	.28	-	.27	-	-	-	-								
	30	1000	281	-	.40	-	.37	-	-	-	-								
	36	1200	338	-	.53	-	.50	-	-	-	-								
(E,G) 81	24	800	200	-	.23	-	.22	-	-	-	19.5"	19"	42	51	56	34	41	45	
	30	1000	250	-	.35	-	.31	-	-	-									
	36	1200	300	-	.48	-	.41	-	-	-									
(E,G) 82	24	800	181	-	.22	-	.19	-	-	-	19.5"	21"	44	54	59	35	43	47	
	30	1000	226	-	.32	-	.28	-	-	-									
	36	1200	271	-	.45	-	.37	-	-	-									
(E,G) 83	24	800	164	-	.19	-	.16	-	-	-	19.5"	23"	46	57	63	37	46	50	
	30	1000	205	-	.28	-	.23	-	-	-									
	36	1200	246	-	.40	-	.31	-	-	-									
(E,G) 84	42	1400	287	-	-	-	.40	-	.37	-	19.5"	23"	48	59	65	38	47	52	
	48	1600	328	-	-	-	.49	-	.39	-									
	60	2000	409	-	-	-	-	-	.42	-									
(E,G) 85	24	800	151	-	.16	-	.14	-	.13	-	19.5"	25"	59	61	68	47	49	54	
	30	1000	188	-	.26	-	.20	-	.18	-									
	36	1200	226	-	.37	-	.28	-	.24	-									
(E,G) 86	42	1400	263	-	-	-	.37	-	.36	-	19.5"	25"	61	63	70	49	50	56	
	48	1600	301	-	-	-	.46	-	.37	-									
	60	2000	376	-	-	-	-	-	.41	-									
(E,G) 87	24	800	139	-	.15	-	.13	-	.10	-	19.5"	27"	52	66	72	42	53	58	
	30	1000	174	-	.24	-	.19	-	.15	-									
	36	1200	208	-	.36	-	.27	-	.20	-									
(E,G) 88	42	1400	243	-	-	-	.36	-	.35	-	19.5"	27"	54	66	74	43	53	59	
	48	1600	277	-	-	-	.45	-	.36	-									
	60	2000	347	-	-	-	-	-	.39	-									

HE Series – Pallet Quantities

Cased												
Cabinet Width	Pallet Qty by Cabinet Height (in)											
	12.5	14.5	16.5	18.5	20.5	21.5	22.5	24.5	25.5	27.5	29.5	31.5
13.25"	18	12	12	12	6	6	6	6	6	-	-	-
13.50"	18	12	12	12	6	6	6	6	6	-	-	-
13.75"	18	12	12	12	6	6	6	6	6	-	-	-
14.00"	18	12	12	12	6	6	6	6	6	-	-	-
14.25"	18	12	12	12	6	6	6	6	6	-	-	-
14.50"	18	12	12	12	6	6	6	6	6	-	-	-
14.75"	18	12	12	12	4	4	4	4	4	-	-	-
15.00"	18	12	12	12	4	4	4	4	4	-	-	-
15.25"	18	12	12	12	4	4	4	4	4	-	-	-
15.50"	18	12	12	12	4	4	4	4	4	-	-	-
15.75"	18	12	12	12	4	4	4	4	4	4	-	-
16.00"	18	12	12	12	4	4	4	4	4	4	-	-
16.25"	18	12	12	12	4	4	4	4	4	4	-	-
16.50"	18	12	12	12	4	4	4	4	4	4	-	-
16.75"	8	8	8	8	4	4	4	4	4	4	-	-
17.00"	8	8	8	8	4	4	4	4	4	4	-	-
17.25"	8	8	8	8	4	4	4	4	4	4	4	-
17.50"	8	8	8	8	4	4	4	4	4	4	4	-
17.75"	8	8	8	8	4	4	4	4	4	4	4	-
18.00"	8	8	8	8	4	4	4	4	4	4	4	-
18.25"	-	8	8	8	4	4	4	4	4	4	4	-
18.50"	-	8	8	8	4	4	4	4	4	4	4	-
18.75"	-	8	8	8	4	4	4	4	4	4	4	-
19.00"	-	8	8	8	4	4	4	4	4	4	4	-
19.25"	-	8	8	8	4	4	4	4	4	4	4	-
19.50"	-	8	8	8	4	4	4	4	4	4	4	-
19.75"	-	8	8	8	4	4	4	4	4	4	4	-
20.00"	-	8	8	8	4	4	4	4	4	4	4	-
20.25"	-	8	8	8	4	4	4	4	4	4	4	-
20.50"	-	8	8	8	4	4	4	4	4	4	4	-
20.75"	-	8	8	8	4	4	4	4	4	4	4	4
21.00"	-	8	8	8	4	4	4	4	4	4	4	4
21.25"	-	8	8	8	4	4	4	4	4	4	4	4
21.50"	-	8	8	8	4	4	4	4	4	4	4	4
21.75"	-	8	8	8	4	4	4	4	4	4	4	4
22.00"	-	8	8	8	4	4	4	4	4	4	4	4
22.25"	-	8	8	8	4	4	4	4	4	4	4	4
22.50"	-	8	8	8	4	4	4	4	4	4	4	4
22.75"	-	8	8	8	4	4	4	4	4	4	4	4
23.00"	-	8	8	8	4	4	4	4	4	4	4	4
23.25"	-	8	8	8	4	4	4	4	4	4	4	4
23.50"	-	8	8	8	4	4	4	4	4	4	4	4
23.75"	-	8	8	8	4	4	4	4	4	4	4	4
24.00"	-	8	8	8	4	4	4	4	4	4	4	4
24.25"	-	8	8	8	4	4	4	4	4	4	4	4
24.50"	-	8	8	8	4	4	4	4	4	4	4	4
24.75"	-	4	4	4	4	4	4	4	4	4	4	4
25.00"	-	4	4	4	4	4	4	4	4	4	4	4
25.25"	-	4	4	4	4	4	4	4	4	4	4	4
25.50"	-	4	4	4	4	4	4	4	4	4	4	4
25.75"	-	4	4	4	4	4	4	4	4	4	4	4
26.00"	-	4	4	4	4	4	4	4	4	4	4	4
26.25"	-	2	2	2	2	2	2	2	2	2	2	2
26.50"	-	2	2	2	2	2	2	2	2	2	2	2
26.75"	-	2	2	2	2	2	2	2	2	2	2	2

HE Series – Pallet Quantities

Uncased											
Drain Pan Width	Pallet Qty by Coil Height (in)										
	11	13	15	17	19	21	23	25	27	29	31
13.00"	18	18	12	12	12	6	6	6	6	-	-
14.00"	18	18	12	12	12	6	6	6	6	-	-
15.50"	18	18	12	12	12	4	4	4	4	-	4
17.00"	8	8	8	8	8	4	4	4	4	-	-
20.00"	-	-	-	8	8	4	4	4	4	4	4
20.50"	-	-	-	-	-	-	4	4	4	4	4
23.50"	-	-	-	-	8	4	4	4	4	4	4
25.12"	-	-	-	-	-	-	-	4	4	-	-

HH Series – Features & Nomenclature

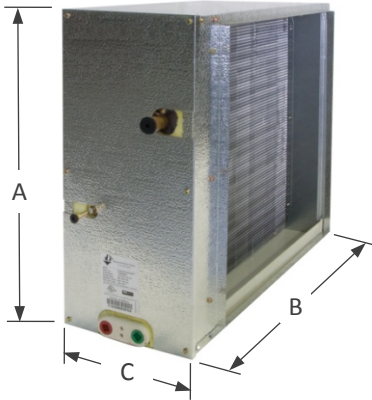
Product Features

- High efficiency lanced fin design.
- “No-hassle” 5 year warranty.
- R-410A, R-22, A/C & heat pump compatible.
- All coils have durable packaging with bar coded labels on the box.
- Threaded expansion valves available factory installed or as a field installed kit.
- Coils are air pressure tested at 500 psi, leak tested with helium, sealed with rubber plugs, then charged with dry air.
- Piston options include externally accessible body for easy piston change out and/or TXV installation.
- Liquid line refrigerant connections are 3/8" ODF.
- Suction line refrigerant connections are 7/8" ODF.

Nomenclature

	H	H52	2	24	A	225	A	21	02	59			
H = Embossed											Piston Size ^[1]		
Slab Number											AP = TXV Access Port ^[2]		
Metering Device											MBTUH	R-22	R-410A
1 = Piston (R-410A)											12 =	41	41
2 = Piston (R-22)											18 =	53	49
3 = Bleed A/C TXV (R-22)											24 =	59	53
4 = Non Bleed A/C TXV (R-22)											30 =	67	59
5 = Non Bleed HP-A/C TXV (R-22)											36 =	73	67
6 = Non Bleed A/C TXV (R-410A)											42 =	80	73
9 = Non Bleed HP-A/C TXV (R-410A)											48 =	84	76
											60 =	93	93
Nominal MBTUH											[1] Piston will always be sized to match the nominal BTU rating of the coil.		
Cabinet Depth											[2] TXV access port standard on factory installed TXVs; optional on piston models.		
A = 10" <i>Note: Fixed, not a selectable option.</i>											Product Code		
											02 = Cased "H"		
Cabinet Opening Width											Cabinet Opening Height		
185 = 18 5/8"											17 = 17 1/4" <i>Note: Cabinet opening height is not a selectable option; see dimensions.</i>		
225 = 22 5/8" <i>Note: Cabinet opening width is not a selectable option; see dimensions.</i>											21 = 21 1/4" <i>Note: Cabinet opening height is not a selectable option; see dimensions.</i>		
265 = 26 5/8"													
305 = 30 5/8"													
365 = 36 5/8"													
425 = 42 5/8"													
											A = Bi-directional airflow		

HH Series – Specifications



A = Height
 B = Width
 C = Depth (excluding flange)

Supply Opening: (A - 1.50") x (B - 4 3/8")
 Return Opening: (A - 1.50") x (B - 4 3/8")

Weight / Pallet Qty

Slab Num	Weight (lbs)	Pallet Quantity
H40	30	8
H41	34	8
H42	39	8
H43	42	8
H44	32	8
H45	36	8
H46	39	8
H47	43	8
H48	48	8
H49	53	6
H50	30	6
H51	31	6
H52	36	4
H53	38	4
H54	43	4
H55	48	3
H56	34	6
H57	36	6
H58	41	4
H59	44	4
H60	50	4
H61	57	3
H62	61	3
H66	75	3

Dimensions

Slab Number	Overall			Supply/Return Opening	
	Height [A]	Width [B]	Depth [C]	Height	Width
H44	18 3/4"	23"	10"	17 1/4"	18 5/8"
H40, H45	18 3/4"	27"	10"	17 1/4"	22 5/8"
H41, H46	18 3/4"	31"	10"	17 1/4"	26 5/8"
H42, H47	18 3/4"	35"	10"	17 1/4"	30 5/8"
H43, H48	18 3/4"	41"	10"	17 1/4"	36 5/8"
H49	18 3/4"	47"	10"	17 1/4"	42 5/8"
H50, H51, H56, H57	22 3/4"	23"	10"	21 1/4"	18 5/8"
H52, H58	22 3/4"	27"	10"	21 1/4"	22 5/8"
H53, H59	22 3/4"	31"	10"	21 1/4"	26 5/8"
H54, H60	22 3/4"	35"	10"	21 1/4"	30 5/8"
H55, H61	22 3/4"	41"	10"	21 1/4"	36 5/8"
H62, H66	22 3/4"	47"	10"	21 1/4"	42 5/8"

Airflow Data

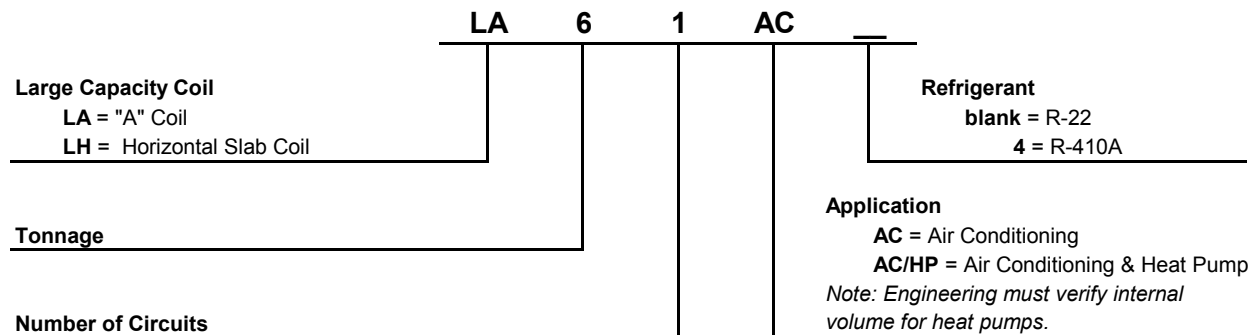
Slab Number	Wet Coil Air Pressure Drop (Inches W.C.) by CFM							
	600	800	1000	1200	1400	1600	2000	2400
H44	.17	.20	.23	-	-	-	-	-
H40, H45	.16	.19	.22	.25	-	-	-	-
H41, H46	-	.17	.20	.22	.24	.25	-	-
H42, H47	-	-	.17	.20	.23	.26	-	-
H43, H48	-	-	-	.16	.18	.22	.27	-
H49	-	-	-	-	.17	.21	.25	-
H50, H56	.19	.22	-	-	-	-	-	-
H51, H57	.17	.19	.22	.25	-	-	-	-
H52, H58	-	.18	.20	.22	.24	.26	-	-
H53, H59	-	-	.18	.20	.23	.26	-	-
H54, H60	-	-	-	.17	.18	.23	.27	-
H55, H61	-	-	-	-	.19	.21	.25	-
H62	-	-	-	-	.17	.19	.23	.27
H66	-	-	-	-	.22	.24	.28	.32

LA/LH Series – Features & Nomenclature

Product Features

- Patented lanced fin design.
- R-410A, R-22, A/C and heat pump compatible.
- Dual 3/4" FPT condensate drains.
- Liquid line refrigerant connections are 3/8" ODF.
- Suction line refrigerant connections are 7/8" ODF.
- Dual circuit coils have row split circuiting allowing full coil surface to be active when 1 or 2 circuits are operating.
- Factory installed TXV valves.
- Up or down airflow compatible.
- Coils are air pressure tested at 500 psi, leak tested with helium, sealed with rubber plugs, then charged with dry air.
- Drain pans are constructed of aluminum to resist corrosion.
- Heavy gauge embossed galvanized cabinets fully lined with 1/2" insulation.
- Left hand drain and refrigerant connections.
- All coils are individually packaged on skids.

Nomenclature



Application

		Model	Number of Circuits	Application
"A" Coils	Dual Circuit	LA - 6 - 2 AC	(2) 1 1/2 - 3 tons ea. ^[1]	Air Conditioning Only
		LA - 8 - 2 AC	(2) 3 1/2 - 4 tons ea. ^[1]	Air Conditioning Only
		LA - 10 - 2 AC	(2) 3 1/2 - 5 tons ea. ^[1]	Air Conditioning Only
	Single Circuit	LA - 7.5 - 1 AC/HP	(1) 6 - 7 1/2 tons	Air Conditioning or Heat Pump ^[2]
		LA - 10.5 - 1 AC	(1) 7 1/2 - 10 tons	Air Conditioning Only
"H" Coils	Single Circuit	LH - 7.5 - 1 AC/HP	(1) 6 - 7 1/2 tons	Air Conditioning or Heat Pump ^[2]

[1] May be manifolded together in the field to form one circuit.

[2] Engineering must verify internal volume compatibility for heat pumps.

LA/LH Series – Specifications

Dimensions and Weights

Model	Cased LA			
	Width	Depth	Height	Weight
LA 6	29"	21.5"	24.5"	86
LA 7.5	33"	21.5"	24.5"	90
LA 8	35"	21.5"	24.5"	103
LA 10	42"	21.5"	24.5"	118
LA 10.5	50.5"	21.5"	22.5"	140

Model	Uncased LA			
	Width	Depth	Height	Weight
LA 6	25.5"	21"	24.5"	83
LA 7.5	32.5"	21"	24.5"	87
LA 8	32.5"	21"	24.5"	100
LA 10	39.5"	21"	24.5"	115
LA 10.5	49.5"	21"	20.5"	137

Model	Cased LH			
	Width	Depth	Height	Weight
LH 7.5	10"	47"	22.75"	75
Duct Connections	N/A	42.63"	21.25"	-

Airflow Data

Model	Wet Coil Air Pressure Drop (Inches W.C.) by CFM						
	1600	2000	2400	2800	3200	3600	4000
LA 6	.20	.23	.28	-	-	-	-
LA 7.5 & 8	-	-	.20	.23	.28	-	-
LA 10	-	-	-	-	.20	.23	.28
LA 10.5	-	-	-	-	.26	.30	.34
LH 7.5	-	-	.23	.29	.36	-	-



2175 West Park Place Boulevard
Stone Mountain, GA 30087
www.adpnow.com