

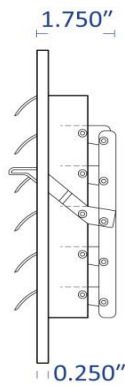
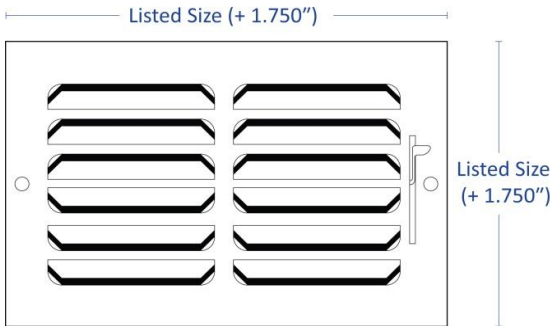
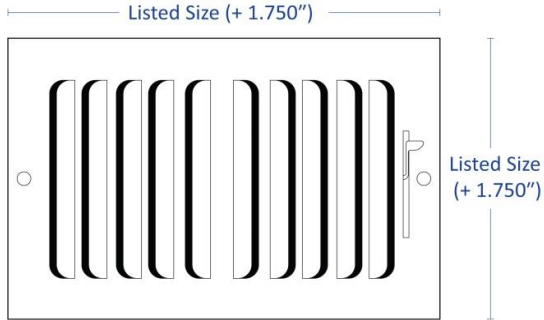
Submitted by: \_\_\_\_\_

Date: \_\_\_\_\_

Stamped Curved Blade Supply

Side wall / Ceiling

**Model:**



**Available Options**

- Horizontal
- Vertical

**Model Features**

- 2-way air pattern
- Durable white powder coat finish

**Material:** Steel

**Face:** Stamped Curved Blade

**Model Size:**

Project Name: \_\_\_\_\_

Architect: \_\_\_\_\_

Project Location: \_\_\_\_\_

Engineer: \_\_\_\_\_

Contractor: \_\_\_\_\_