



# RKHL-C

Parts List  
26-November-2015



*This parts list is current as of the above revision date.  
See <http://www.rheempartslists.net/92-42800-RKHL-C.pdf> for the current revision.*

**Package Gas-Electric - Commercial**

# Table of Contents

Model Explanation .....	Page 3
<b>Parts Numbers</b>	
Panels - Miscellaneous (1) .....	Page 4
Panels - Miscellaneous (2) .....	Page 5
Electrical Group .....	Page 6
Fan Group .....	Page 7
Blower Group .....	Page 8
Coil Parts .....	Page 9
Compressor Group .....	Page 10
Heat Exchanger-Burner Group .....	Page 11
Gas Controls .....	Page 12
Accessories .....	Page 13
Orifice Selection Chart .....	Page 14
<b>Drawings/Photographs</b>	
Exploded View 120 .....	Page 15
Exterior - Front 120 .....	Page 16
Exterior - Back 120 .....	Page 16
Interior - Front 120 .....	Page 17
Filter-Coil Assembly 120 .....	Page 18
Condenser Coil Assembly 120 .....	Page 18
Heat Exchanger Assembly 120 .....	Page 19
Front Panel Brackets 120 .....	Page 19
Filter Frame Assembly 120 .....	Page 20
Blower Assembly 120 .....	Page 20
Hybrid Assembly 120 .....	Page 21
Control Box 120 After September 2012 .....	Page 22
Control Box 120 Before September 2012 .....	Page 23
Low Voltage Shields 120 .....	Page 24
Notes/Disclaimer .....	Page 25

**MODEL NUMBER EXPLANATION**

R	K	H	L	-	C	1	2	0	C	L	1	5	E	A	A	C
1	2	3	4		5	6			7	8	9		10	10		11

- |  |  |
|--|--|
| <p><b>1 TRADE NAME</b></p> <p><b>2 K = PACKAGE GAS / ELECTRIC</b><br/>Commercial</p> <p><b>3 EFFICIENCY DESIGNATION</b><br/>H = Hybrid - Gas Electric/Water Heater</p> <p><b>4 DESIGN SERIES</b><br/>L = R-410A</p> <p><b>5 TECHNICAL VARIATION</b><br/>C = DDC</p> <p><b>6 COOLING CAPACITY (BTU/HR)</b><br/>120 = 120,000</p> <p><b>7 ELECTRICAL DESIGNATION</b><br/>C = 208-230/3/60<br/>D = 460/3/50</p> | <p><b>8 DRIVE PACKAGE</b><br/>L = Belt Drive<br/>M = Belt Drive - High Static</p> <p><b>9 HEATING CAPACITY (MBH)</b><br/>15 = 150,000<br/>22 = 220,000</p> <p><b>10 IGNITION SYSTEM</b><br/>E = Electric Ignition</p> <p><b>11 OPTION CODES</b><br/>AA = No Options</p> <p><b>12 ECONOMIZER OPTIONS</b><br/>A = No Economizer<br/>H = Single Enthalpy Economizer with Barometric Relief<br/>J = Single Enthalpy Economizer with Barometric Relief and smoke detector</p> |
|--|--|

**SERIAL NUMBER EXPLANATION**

2	P	A	1	2	3	4	A	D	A	A	F	0	5	0	9	0	0	0	1
(1)	(2)		(3)			(4)	(5)	(6)	(7)	(8)		(9)		(10)		(11)			

- |  |   |
|--|---|
| <p>(1) GAS CODE</p> <p>(2) BLOWER CONTROL BOARD</p> <p>(3) COMPRESSOR IDENTIFICATION NUMBER</p> <p>(4) IGNITION DEVICE</p> <p>(5) INDUCER BLOWER</p> <p>(6) HEAT EXCHANGER</p> | <p>(7) TECHNOLOGY VARIATIONS</p> <p>(8) PLANT<br/>F = Fort Smith, AR</p> <p>(9) WEEK</p> <p>(10) YEAR</p> <p>(11) PRODUCTION NUMBER</p> |
|--|---|

No.	Notes	MODEL TECHNICAL VARIATION COOLING CAPACITY	RKHL- C 120
<b>PANELS - RAILS, BASE PANS, INSIDE CABINET</b>			
<b>BASE RAILS:</b>			
A		Base Rail - Front	AE-90575-15
B		Base Rail - Right	AE-90576-03
C		Base Rail - Rear	AE-90575-04
D		Base Rail - Left	AE-90576-04
<b>BASE PANS:</b>			
E		Outdoor Coil Base Pan	AS-90577-15H
F		Indoor Coil Base Pan	AS-90577-12
<b>INSIDE CABINET:</b>			
G		Entry Plate	AE-90614-01
H		Entry Plate	AE-90614-01
J		Heat Compartment Side	AE-90598-10
K		Blower Deck	AS-90592-16
L		Wireway	AE-90718-05
M		Condenser Bulkhead	AS-90609-34

No.	Notes	MODEL TECHNICAL VARIATION COOLING CAPACITY	RKHL- C 120
<b>PANELS - FRONT</b>			
1		Control Box Door Assembly - w/Hinges, Latch, Gasket, Insulation	AS-102872-14H
2a		Bracket - Top Panel (Left)	AS-102859-16H
2b		Bracket - Top Panel (Center)	AS-102859-15H
2c		Post - Blower Section	AS-102682-12H
3a		Bracket - Bottom Panel (Left)	AS-102859-17H
3b		Bracket - Blower/Heater Compartment	AS-102859-14H
3c		Bracket - Bottom Panel (Right)	AS-102859-13H
		Latch Assembly - Control Box Door (2)	64-103465-01
4		Post Assembly - Indoor Coil Section	AS-90620-18H
5		Control Box Cover	AE-90713-02
6		Control Mounting Plate	AE-90712-06
7a		Low Voltage Shield (Before F3512) - Upper Straight	AE-90742-08
7a		Low Voltage Shield (After F3512) - Upper Angled	AE-90742-12
7b		Low Voltage Shield (Before F3512) - Lower	AE-90742-03
7b		Low Voltage Shield (After F3512) - Lower	AE-90742-11
7c		Low Voltage Shield - Middle Strip	AE-90742-09
8		Control Box Back Insulation Assembly	AS-90601-06
9		Mounting Bracket	AE-90779-02
		Outlet Flue Hood	AS-102966-01
	3	Inlet Flue Hood (2) - See Note 3	AE-90745-04
12	3	Gas Heat Access Panel Assembly - w/Hinges, Latch, Gasket, Insulation - See Note 3	AS-102872-20H
		Latch Assembly - Electric Heat Door (2)	64-103465-01
13		Gas Pipe Support Plate	AS-90774-10H
14		Blower Access Panel Assembly - w/Hinges, Latch, Gasket, Insulation	AS-102872-16H
		Latch Assembly - Blower Access Panel (3)	64-103465-01
16		Heat Exchanger Mounting Frame Assembly	AS-90754-01
17		Condenser Coil Access Panel - Front	AS-90631-11H
18		Front Corner Post	AS-90701-05H

No.	Notes	MODEL TECHNICAL VARIATION COOLING CAPACITY	RKHL- C 120
<b>PANELS - RIGHT, REAR AND LEFT SIDES</b>			
		<b>RIGHT:</b>	
19		Air Stop	N/A
20		Louver Panel Assembly	AS-90789-03H
		<b>REAR:</b>	
21		Rear Corner Post	AS-90702-04H
22		Condenser Coil Access Panel-Rear	AS-90631-12H
23		Rear Panel	AS-90618-12H
24		Supply Cover	AS-90626-02H
25		Return Cover	AS-90628-02H
		<b>LEFT:</b>	
26		Upper Left Panel	AS-90624-03H
27		Lower Left Panel	AS-90624-04H
28		Left Corner Panel	AS-90755-07H
29		Plate - Receptacle	AS-90756-02H
30		Plate - Disconnect	AS-90756-03H
31		Button Plug (2)	45-22980-06
32		Button Plug	45-22980-05
		<b>TOP:</b>	
33		Top Panel Assembly	AS-90775-38H
34		Condenser Top Panel	AS-90703-08H
35		Venturi	AS-90632-03H (2)
36		Wire Grille	95-100906-09 (2)
43		Drain Pan - Removable	See Coil Group

No.	Notes	MODEL	RKHL-	RKHL-
		TECHNICAL VARIATION	C	C
		COOLING CAPACITY	120	120
		ELECTRICAL DESIGNATION	C	D
<b>ELECTRICAL GROUP</b>				
		Outlet Box	45-41952-02	45-41952-02
		Cover - Receptacle	45-41953-02	45-41953-02
		Receptacle/Ground Fault	45-41954-01	45-41954-01
<b>CONTROL BOX COMPONENTS (57a - 62):</b>				
57a	Stk	Transformer - Control	46-42515-01	46-42515-02
57b	Stk	Transformer - Step Down	N/A	46-103972-02
58a		Double Row Terminal Block	45-42548-02	45-42548-02
58b		Ground Lug	45-19000-02	45-19000-02
59a	Stk	Contactor - Blower	42-102664-26	42-102664-26
59b	Stk	Relay - Outdoor Fan	42-102234-01	42-102234-01
59c	Stk	Relay - Water Shutoff	42-102234-01	42-102234-01
60		Capacitor - Fan Motor	See Fan Group	
61a		Unit Controller (RTU-C)	47-102883-02	47-102883-02
61b		eSYNC Controller	47-104045-01	47-104045-01
61c		Integrated Furnace Control Board (IFC)	See Gas Controls	
61d		Low Voltage Shield - Before F3512	See Panels - Front, Item 7a	
61d		Low Voltage Shield - After F3512		
62	Stk	Contactor - Compressor	42-102664-26	42-102664-26
		Pressure Switch Assembly - (Clogged Filter and Fan Proving)	42-103320-27	42-103320-27
		Comfort Alert	42-101504-03	42-101504-03
		Bracket - Comfort Alert	AE-103462-01	AE-103462-01
		Disconnect Switch Assembly	42-42559-02	42-42559-02
		Low Ambient Assembly	AS-103034-01	AS-103034-01
		High Pressure Control	See Coil Group	
		Low Pressure Control	See Coil Group	
<b>WIRING HARNESES:</b>				
		Wiring Harness - Outdoor Fan Motor #1	See Fan Group	
		Wiring Harness - Outdoor Fan Motor #2	See Fan Group	
		Wiring Harness - Economizer (Twist-Loc, 12 Pin and 4 Pin to 9 Pin)	45-42522-100	45-42522-100
		Jumper - Configuration Plug (7 Pin Connector)	45-42522-102	45-42522-102
		Wiring Harness - Compressor Control (14 Pin and Two 2 Pin Connectors and Two Temperature Sensors)	45-42522-106	45-42522-106
		Wiring Harness - IFC Communication (4 Pin to 4 Pin)	45-42522-95	45-42522-95
		Wiring Harness - Clogged Filter Switch/Fan Proving Switch (8 Pin to 4 Connectors and 2 Sensors)	45-42522-98	45-42522-98
		Wiring Harness - Twist-Loc (12 Pin from IFC to 3 Pin and 7 Terminals), Heat Capacity 15E	45-102706-06	45-102706-06
		Wiring Harness - Twist-Loc (12 Pin to 10 Terminals), Heat Capacity 22E	45-102706-10	45-102706-10
		Wiring Harness - Pressure Transducer (Refrigerant)	45-104130-02	45-104130-02
		Plug Harness - Compressor	See Compressor Group	
		Wiring Harness - Draft Inducer	45-42522-19	45-42522-19
		Bypass Plug - Economizer 12 Pin	AS-61997-55	AS-61997-55

No.	Notes	MODEL TECHNICAL VARIATION COOLING CAPACITY ELECTRICAL DESIGNATION	RKHL- C 120 C
<b>FAN GROUP</b>			
52	Stk	Fan Motor (2)	51-42534-24
		Wirng Harness - Outdoor Fan Motor #1	45-102706-18
		Wirng Harness - Outdoor Fan Motor #2	45-102706-19
53	Stk	Fan Blade (2)	70-42572-04
60	Stk	Capacitor - Fan Motor (2)	43-100496-12

No.	Notes	MODEL TECHNICAL VARIATION COOLING CAPACITY ELECTRICAL DESIGNATION	RKHL- C 120 D
<b>FAN GROUP</b>			
52	Stk	Fan Motor (2)	51-42534-25
		Wirng Harness - Outdoor Fan Motor #1	45-102706-18
		Wirng Harness - Outdoor Fan Motor #2	45-102706-19
53	Stk	Fan Blade (2)	70-42572-04
60	Stk	Capacitor - Fan Motor (2)	43-100496-12

No.	Notes	MODEL TECHNICAL VARIATION COOLING CAPACITY DRIVE PACKAGE	RKHL- C 120 L
<b>BLOWER ASSEMBLY GROUP - BELT DRIVE</b>			
64	Stk	Blower Assembly (Includes Items 65-68)	AS-90757-01
65	Stk	Blower Wheel	70-42540-02
66		Bearing Frame Tri-Arm (2)	70-42540-05
67		Bearing with Bearing Lock (2)	70-41854-02
68	Stk	Blower Shaft	70-42540-04
69		Blower Mounting Angles (2)	AE-90708-01
		Blower Angle Stop	AE-90709-02
70		Motor Mount	AS-90824-01
71	Stk	Blower Motor - C/D Voltages	51-42536-01
72	Stk	Variable Sheave	71-42538-02
73	Stk	Belt	71-40438-27
74	Stk	Fixed Sheave	71-100774-02
		Key	94-42551-09
	Stk	Bushing for Sheave w/Screws	71-100773-01

No.	Notes	MODEL TECHNICAL VARIATION COOLING CAPACITY DRIVE PACKAGE	RKHL- C 120 M
<b>BLOWER ASSEMBLY GROUP - BELT DRIVE</b>			
64	Stk	Blower Assembly (Includes Items 65-68)	AS-90757-01
65	Stk	Blower Wheel	70-42540-02
66		Bearing Frame Tri-Arm (2)	70-42540-05
67		Bearing with Bearing Lock (2)	70-41854-02
68	Stk	Blower Shaft	70-42540-04
69		Blower Mounting Angles (2)	AE-90708-01
		Blower Angle Stop	AE-90709-02
70		Motor Mount	AE-90710-04
71	Stk	Blower Motor - C/D Voltages	51-42537-01
72	Stk	Variable Sheave	71-42538-02
73	Stk	Belt	71-40438-23
74	Stk	Fixed Sheave	71-100774-04
		Key	94-42551-09
	Stk	Bushing for Sheave w/Screws	71-100773-01



No.	Notes	MODEL TECHNICAL VARIATION COOLING CAPACITY	RKHL- C 120
<b>COIL GROUP</b>			
<b>EVAPORATOR COIL GROUP:</b>			
42a	Stk	Evaporator Coil	AS-90656-85
42b	Stk	TXV	61-103900-01
42c		Valve Body	61-18542-01
42d		Valve Core	61-18551-01
42e		Valve Cap	83-100635-01
42f		Pressure Transducer	47-103454-01
42g		Bulkhead Valve (2)	61-22369-04
42h		Sensor Assembly - Liquid Line	47-103971-02
		Locknut - Bulkhead Valve	63-22368-01
43	Stk	Drain Pan - Removable	68-102699-02
	Stk	Low Pressure Control (located next to indoor coil to bulkhead tube on indoor coil side)	47-101529-09
<b>FILTER PIECES:</b>			
44		Filter Frame	AE-90606-11
45		Air Stop - Bottom	AE-102712-10
46		Air Stop - Side	AE-102712-06
47		Top Air Stop Assembly	AS-90604-07
48		Filter Channel (2)	AE-102712-08
49		Filter Slide (2)	AE-102712-11
50		Filter (6)	54-42541-01
<b>CONDENSER COIL GROUP:</b>			
37a	Stk	Condenser Coil	65-101478-07
37b	Stk	Condenser Coil	65-101478-07
40a		Micro-Channel Coil Mounting Base - Left	68-102752-01
40b		Micro-Channel Coil Mounting Base - Right	68-102752-02
41a		Top Support - Condenser Coil	AE-90612-31
41b		Top Support - Condenser Bulkhead	AE-90612-26
41c		Filter Drier - Liquid Line	83-40386-05
		Strap - Filter Drier	AE-102132-01
<b>HYBRID ASSEMBLY GROUP</b>			
	Stk	High Pressure Control (on compressor discharge tube to 3 - way valve)	47-102290-01
81a		Heat Exchanger	65-103456-03
81b		Bracket - Heat Exchanger	AE-103878-22
82a	Stk	3 - Way Valve	61-103902-02
82b		Support Bracket - (3-Way Valve)	63-42109-01
82c		Capture Bracket (for 3-Way Valve)	AE-103878-12
83a		Flange Set - Water Pump	38-103141-07
83b	Stk	Water Pump (gaskets for each end - included)	38-103141-26
83c		Bracket - Water Pump	AE-103878-14
84a	Stk	Solenoid Coil	61-103961-07
84b	Stk	Solenoid Valve	61-103961-04
84c		Bracket - Solenoid Valve	AE-103878-17
84d		Capture Bracket (for Solenoid Valve Bracket)	AE-103878-23
85a		Valve Body	61-18542-01
85b		Valve Core	61-18551-01
85c		Valve Cap	83-100635-01
86	Stk	Check Valve (2)	61-103883-02
87a	Stk	Water Proving Switch Assembly	AS-104624-01
87b	Stk	Temperature Sensor (2)	47-103971-01
87c	Stk	Water Leak Sensor	62-103612-02
88a	Stk	Air Release Vent	61-103553-02
88b		Tee (1-1/2 x 1/1/2 x 3/4 NPT)	82-21547-04
88c		Copper Reducer (1-5/8 x 1-3/8 inch)	82-103904-01
89a		Wrot Union (2)	81-103937-01
89b		Water Supply Plate	AS-103878-37H
	Stk	Brazing Rods (SILVALOY A56T)	31265
	Stk	Brazing Flux - for SILVALOY A56T	86-25254-09

<b>No.</b>	<b>Notes</b>	<b>MODEL TECHNICAL VARIATION COOLING CAPACITY ELECTRICAL DESIGNATION</b>	<b>RKHL- C 120 C</b>
<b>COMPRESSOR GROUP</b>			
		<b>Compressor ID:</b>	<b>8501</b>
75	Stk	Compressor	55-102471-01S
	Stk	Check Valve (2)	61-103883-01
	Stk	Plug Harness - Compressor	45-102706-20

<b>No.</b>	<b>Notes</b>	<b>MODEL TECHNICAL VARIATION COOLING CAPACITY ELECTRICAL DESIGNATION</b>	<b>RKHL- C 120 D</b>
<b>COMPRESSOR GROUP</b>			
		<b>Compressor ID:</b>	<b>8503</b>
75	Stk	Compressor	55-102471-04S
	Stk	Check Valve (2)	61-103883-01
	Stk	Plug Harness - Compressor	45-102706-20

No.	Notes	MODEL TECHNICAL VARIATION COOLING CAPACITY ELECTRICAL DESIGNATION HEATING CAPACITY	RKHL-	RKHL-	RKHL-	RKHL-
			C 120 C 15	C 120 D 15	C 120 C 22	C 090 D 22
<b>HEAT EXCHANGER, BURNER / MANIFOLD</b>						
98	Stk	Heat Exchanger	AS-90645-01	AS-90645-01	AS-90645-03	AS-90645-03
99		Inducer Mounting Plate Gasket	68-42518-02	68-42518-02	68-42518-02	68-42518-02
100		Turbulators	AE-58922-01 (6)	AE-58922-01 (6)	AE-58922-01 (9)	AE-58922-01 (9)
101		Inducer Mounting Plate	AE-90675-03	AE-90675-03	AE-90675-02	AE-90675-02
102		Inducer Blower Gasket (2)	68-23643-02	68-23643-02	68-23643-02	68-23643-02
103		Burner Support Brackets (2)	AE-90642-02	AE-90642-02	AE-90642-02	AE-90642-02
104		Burner Support	AE-90643-01	AE-90643-01	AE-90643-01	AE-90643-01
105	Stk	Spark Ignitor	62-23556-08	62-23556-08	62-23556-08	62-23556-08
106	Stk	Burner Assembly	AS-90772-01	AS-90772-01	AS-90772-02	AS-90772-02
107		Burner Orifices - Natural Gas	See Orifice Selection Chart			
107		Burner Orifices - LP	See Orifice Selection Chart			
107		Number of Orifices	(6)	(6)	(9)	(9)
108		Square Head Plug	81-23593-01 (4)	81-23593-01 (4)	81-23593-01 (1)	81-23593-01 (1)
109	Stk	Manifold	81-42509-03	81-42509-03	81-42509-02	81-42509-02
110		Gas Valve	See Gas Controls			
111		Street Elbow - 1/2 in. 90 degree	81-40271-04	81-40271-04	N/A	N/A
112	Stk	Flame Sensor	62-23543-02	62-23543-02	62-23543-02	62-23543-02
113a,b	Stk	Pressure Switch (2)	42-24335-25	42-24335-25	42-24335-23	42-24335-23
114		Pressure Switch Mounting Bracket (Single Mount)	AE-90635-05 (2)	AE-90635-05 (2)	AE-90635-05 (2)	AE-90635-05 (2)
115		Heat Shield	AE-90644-02	AE-90644-02	AE-90644-02	AE-90644-02
116	Stk	Limit - Manual Reset (Burner Compartment) (2)	47-22861-01	47-22861-01	47-22861-01	47-22861-01
117	Stk	Induced Draft Blower w/Gasket (2)	70-23641-01	70-23641-02	70-23641-01	70-23641-02
118		Flue Duct (2)	75-23678-01	75-23678-01	75-23678-01	75-23678-01
		Gasket - Flue Duct (4)	68-23680-04	68-23680-04	68-23680-04	68-23680-04
	Stk	Limit - Main Limit (Heat Exchanger Panel)	47-25349-09	47-25349-09	47-25349-02	47-25349-02

No.	Notes	MODEL	RKHL-	RKHL-
		GAS CODE	2P	2Q
		COOLING CAPACITY	120	120
<b>GAS CONTROLS</b>				
110	Stk	Gas Valve - Natural Gas	60-101778-01	60-102405-01
110	Stk	Gas Valve - LP	See Note 2	See Note 1
	Stk	Integrated Furnace Control Board (IFC)	62-102860-02	62-102860-02
111		Street Elbow	See Heat Exchanger Group	
	Stk	LP Conversion Kit	FP-14	FP-24

No.	Notes	MODEL TECHNICAL VARIATION COOLING CAPACITY	RKHL- C 120
<b>ACCESSORIES</b>			
		Louver Panel - Option	AXRX-AAD02A
		Carbon Dioxide Sensor	RXRX-AR02
		Dual Enthalpy Kit	RXRX-AV03
		Manual Fresh Air Damper (Return Panel)	AXRF-JDA1
		Manual Fresh Air Damper (Left Panel Mounted)	AXRF-KDA1
		Motor Kit for AXRF-KDA1	RXRX-AW02
		Modulating Motor Kit w/position feedback for RXRF-KDA1	RXRX-AW04
		Motorized Fresh Air Damper (Horizontal Return Mounted)	AXRF-JDB1
		Comfort Alert (1 Per Compressor)	RXRX-AZ01
		BACnet Communication Card	RXRX-AY01
		LonWorks Communication Card	RXRX-AY02
		Convenience Outlet - Option	RXRX-AN01
		Unfused Service Disconnect	RXRX-AP01
		Low Ambient Control Kit (1 Per Compressor)	RXRZ-C02

No.	Notes	MODEL TECHNICAL VARIATION COOLING CAPACITY	RKHL- C 120
<b>ECONOMIZERS</b>			
		Economizer - Single Enthalpy	AXRD-PJCM3
		Economizer - Single Enthalpy w/Smoke Detector	AXRD-SJCM3

No.	Notes	MODEL TECHNICAL VARIATION COOLING CAPACITY	RKHL- C 120
<b>POWER EXHAUST</b>			
		Power Exhaust - 208/230 volt	RXRX-BFF02C
		Power Exhaust - 460 volt	RXRX-BFF02D

**PACKAGE EQUIPMENT - ORIFICE SELECTION CHART - NATURAL GAS**

**CAUTION:** Selection of the correct Natural Gas Orifice requires the following information for the specific installation:

- 1) Furnace Input Rating (BTU/HR)
- 2) Number of Burners
- 2) Altitude (ft.)

For detailed information and instructions for Orifice selection, see the Gas Furnace LP Conversion Kit Index 92-21519-47 and the latest edition of the National Fuel Gas Code Handbook, or the National Standard of Canada, Natural Gas and Propane Installation Code, CAN B149.1.

**CAUTION:** This information is provided for replacement purposes only. Conversion for operation at High Altitude must be done using the kit specified on the product specification sheet for the unit.

NOTE: This Orifice sizing chart is based on a Natural Gas heating value of 1075 BTU/cu. ft and a pressure setting of 3.5 in. water column.

NOTE: Factory installed orifices are calculated and sized based on a Natural Gas heating value of 1075 BTU/cu. ft. and an elevation of 0 - 2000 ft.

Furnace Input Rating (BTU/HR)	Canadian High Altitude Derated Input (BTU/HR)	Number of Burners	Elevation (ft.)					
			Country					
			0 - 2000 U.S.	2001 - 4000 U.S.	4001 - 6000 U.S.	8000+ U.S.	0 - 2000 Canada	2001 - 4500 Canada
40,000	36,000	2	62-22175-45	62-22175-47	62-22175-48	62-22175-49	62-22175-45	62-22175-15
60,000	54,000	3	62-22175-45	62-22175-47	62-22175-48	62-22175-49	62-22175-45	62-22175-15
72,000	N/A	4	62-22175-15	62-22175-49	62-22175-50	62-22175-51	62-22175-15	N/A
80,000	72,000	4	62-22175-45	62-22175-47	62-22175-48	62-22175-49	62-22175-45	62-22175-15
90,000	N/A	5	62-22175-15	62-22175-49	62-22175-50	62-22175-51	62-22175-15	N/A
100,000	90,000	5	62-22175-45	62-22175-47	62-22175-48	62-22175-49	62-22175-45	62-22175-15
120,000	108,000	6	62-22175-45	62-22175-47	62-22175-48	62-22175-49	62-22175-45	62-22175-15
135,000	121,500	6	62-22175-44	62-22175-45	62-22175-47	62-22175-48	62-22175-44	62-22175-45
150,000	135,000	6	62-22175-42	62-22175-43	62-22175-44	62-22175-45	62-22175-42	62-22175-44
180,000	N/A	9	62-22175-45	62-22175-47	62-22175-48	62-22175-49	62-22175-45	N/A
210,000	N/A	9	62-22175-43	62-22175-44	62-22175-45	62-22175-47	62-22175-43	N/A
210,000	N/A	10	62-22175-45	62-22175-47	62-22175-48	62-22175-49	62-22175-45	N/A
225,000	202,500	9	62-22175-42	62-22175-43	62-22175-44	62-22175-45	62-22175-42	62-22175-44
250,000	225,000	10	62-22175-42	62-22175-43	62-22175-44	62-22175-45	62-22175-42	62-22175-44
252,000	225,000	9	62-22175-40	62-22175-42	62-22175-43	62-22175-44	62-22175-40	62-22175-42
252,000	N/A	12	62-22175-45	62-22175-47	62-22175-48	62-22175-49	62-22175-45	N/A
290,000	N/A	14	62-22175-45	62-22175-47	62-22175-48	62-22175-49	62-22175-45	N/A
300,000	270,000	12	62-22175-42	62-22175-43	62-22175-44	62-22175-45	62-22175-42	62-22175-44
330,000	N/A	14	62-22175-43	62-22175-44	62-22175-45	62-22175-47	62-22175-43	N/A
350,000	315,000	14	62-22175-42	62-22175-43	62-22175-44	62-22175-45	62-22175-42	62-22175-44
400,000	360,000	14	62-22175-40	62-22175-42	62-22175-43	62-22175-44	62-22175-40	62-22175-42

**PACKAGE EQUIPMENT - ORIFICE SELECTION CHART - LP**

**CAUTION:** Selection of the correct LP Orifice requires the following information for the specific installation:

- 1) Furnace Input Rating (BTU/HR)
- 2) Number of Burners
- 2) Altitude (ft.)

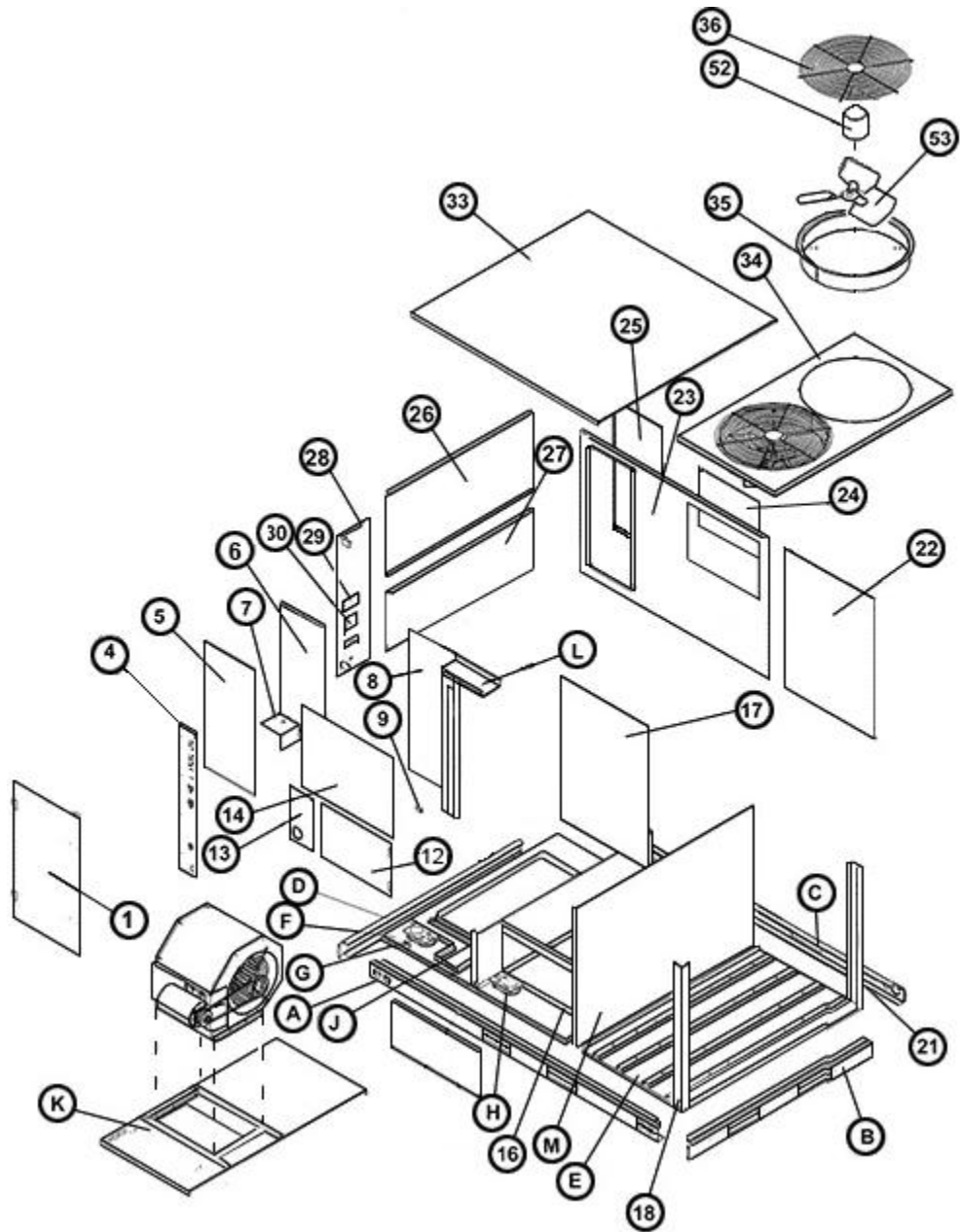
For detailed information and instructions for Orifice selection, see the Gas Furnace LP Conversion Kit Index 92-21519-47 and the latest edition of the National Fuel Gas Code Handbook, or the National Standard of Canada, Natural Gas and Propane Installation Code, CAN B149.1.

**CAUTION:** This information is provided for replacement purposes only. Conversion to LP or for operation at High Altitude should be done using the kit(s) specified on the product specification sheet for the unit.

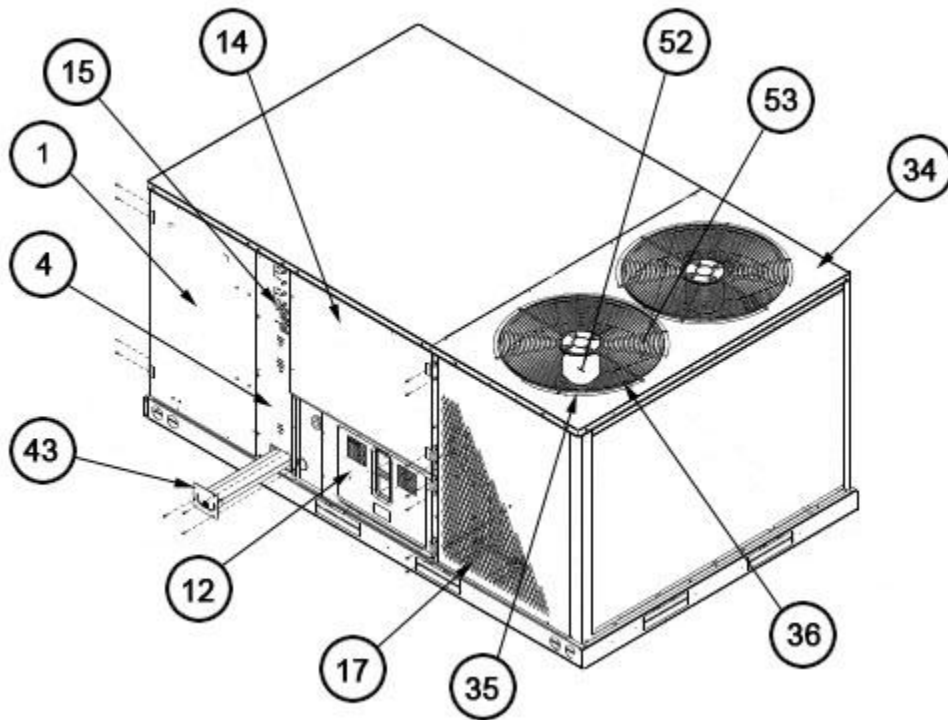
NOTE: This Orifice sizing chart is developed using the specified pressure setting of 10 in. water column instead of the 11.0 in water column used by the NFG and CANB149.1.

NOTE: Orifices supplied in the LP Conversion Kit are calculated and sized based on a heating value of 2500 BTU/cu. ft. and an elevation of 0 - 2000 ft.

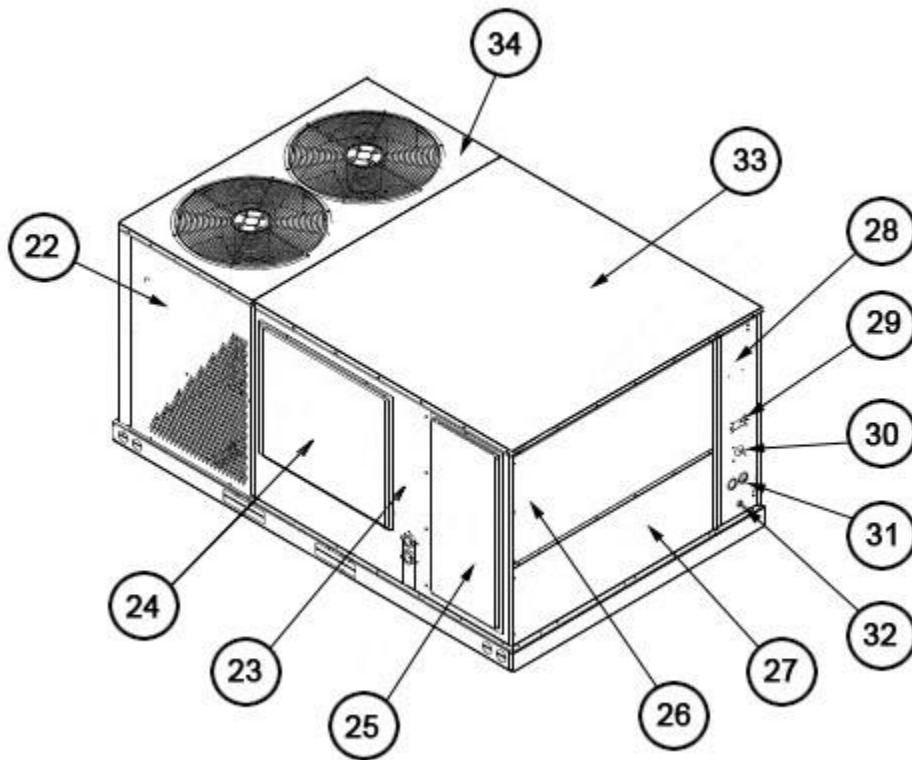
Furnace Input Rating (BTU/HR)	Canadian High Altitude Derated Input (BTU/HR)	Number of Burners	Elevation (ft.)					
			Country					
			0 - 2000 U.S.	2001 - 4000 U.S.	4001 - 6000 U.S.	8000+ U.S.	0 - 2000 Canada	2001 - 4500 Canada
40,000	36,000	2	62-22175-55	62-22175-55	62-22175-56	62-22175-56	62-22175-55	62-22175-13
60,000	54,000	3	62-22175-55	62-22175-55	62-22175-56	62-22175-56	62-22175-55	62-22175-13
72,000	N/A	4	62-22175-13	62-22175-57	62-22175-57	62-22175-59	62-22175-13	N/A
80,000	72,000	4	62-22175-55	62-22175-55	62-22175-56	62-22175-56	62-22175-55	62-22175-13
90,000	N/A	5	62-22175-13	62-22175-57	62-22175-57	62-22175-59	62-22175-13	N/A
100,000	90,000	5	62-22175-55	62-22175-55	62-22175-56	62-22175-56	62-22175-55	62-22175-13
120,000	108,000	6	62-22175-55	62-22175-55	62-22175-56	62-22175-56	62-22175-55	62-22175-13
135,000	121,500	6	62-22175-54	62-22175-55	62-22175-55	62-22175-56	62-22175-54	62-22175-55
150,000	135,000	6	62-22175-54	62-22175-55	62-22175-55	62-22175-56	62-22175-54	62-22175-54
180,000	N/A	9	62-22175-55	62-22175-55	62-22175-56	62-22175-56	62-22175-55	N/A
210,000	N/A	9	62-22175-54	62-22175-55	62-22175-55	62-22175-56	62-22175-54	N/A
210,000	N/A	10	62-22175-55	62-22175-55	62-22175-56	62-22175-56	62-22175-55	N/A
225,000	202,500	9	62-22175-54	62-22175-55	62-22175-55	62-22175-56	62-22175-54	62-22175-54
250,000	225,000	10	62-22175-54	62-22175-55	62-22175-55	62-22175-56	62-22175-54	62-22175-54
252,000	225,000	9	62-22175-53	62-22175-54	62-22175-54	62-22175-55	62-22175-53	62-22175-54
252,000	N/A	12	62-22175-55	62-22175-55	62-22175-56	62-22175-56	62-22175-55	N/A
290,000	N/A	14	62-22175-55	62-22175-55	62-22175-56	62-22175-56	62-22175-55	N/A
300,000	270,000	12	62-22175-54	62-22175-55	62-22175-55	62-22175-56	62-22175-54	62-22175-54
330,000	N/A	14	62-22175-54	62-22175-55	62-22175-55	62-22175-56	62-22175-54	N/A
350,000	315,000	14	62-22175-54	62-22175-55	62-22175-55	62-22175-56	62-22175-54	62-22175-54
400,000	360,000	14	62-22175-53	62-22175-54	62-22175-54	62-22175-55	62-22175-53	62-22175-54



Exploded View 120

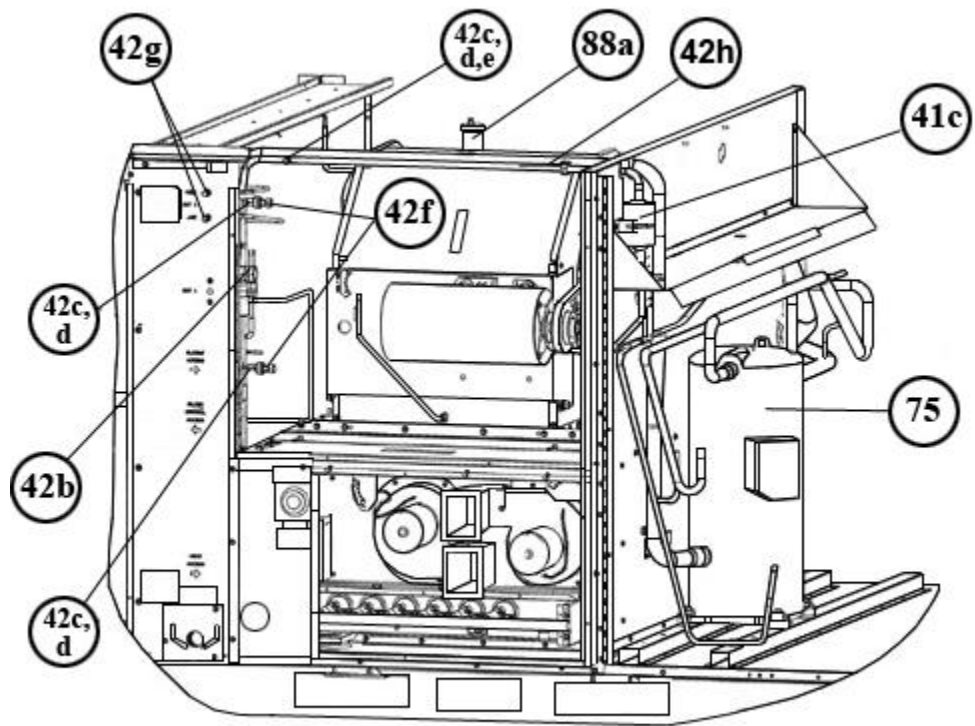


Exterior - Front 120

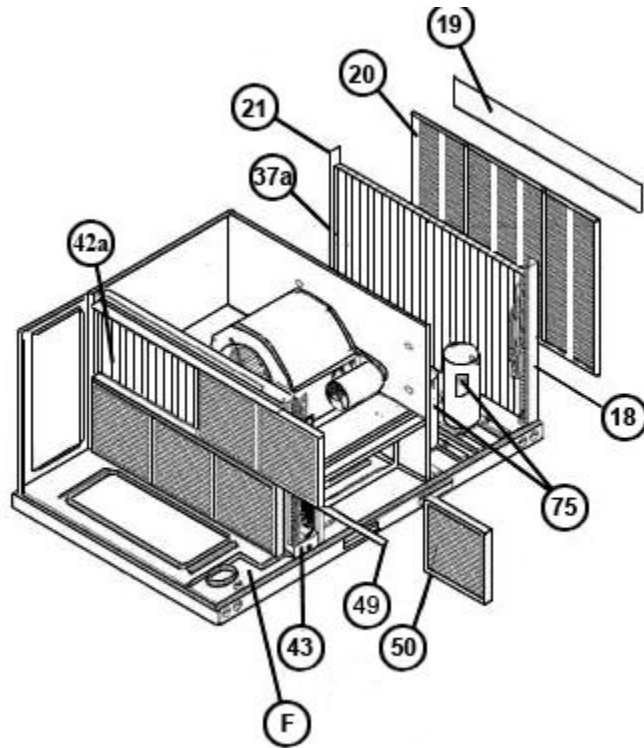


Exterior - Back 120

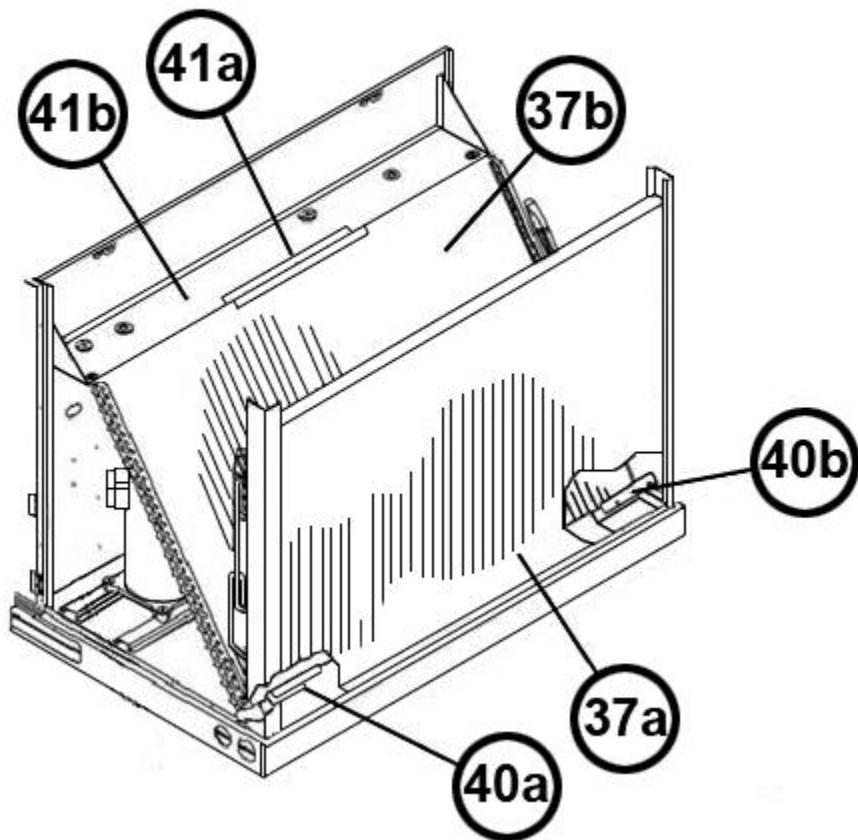




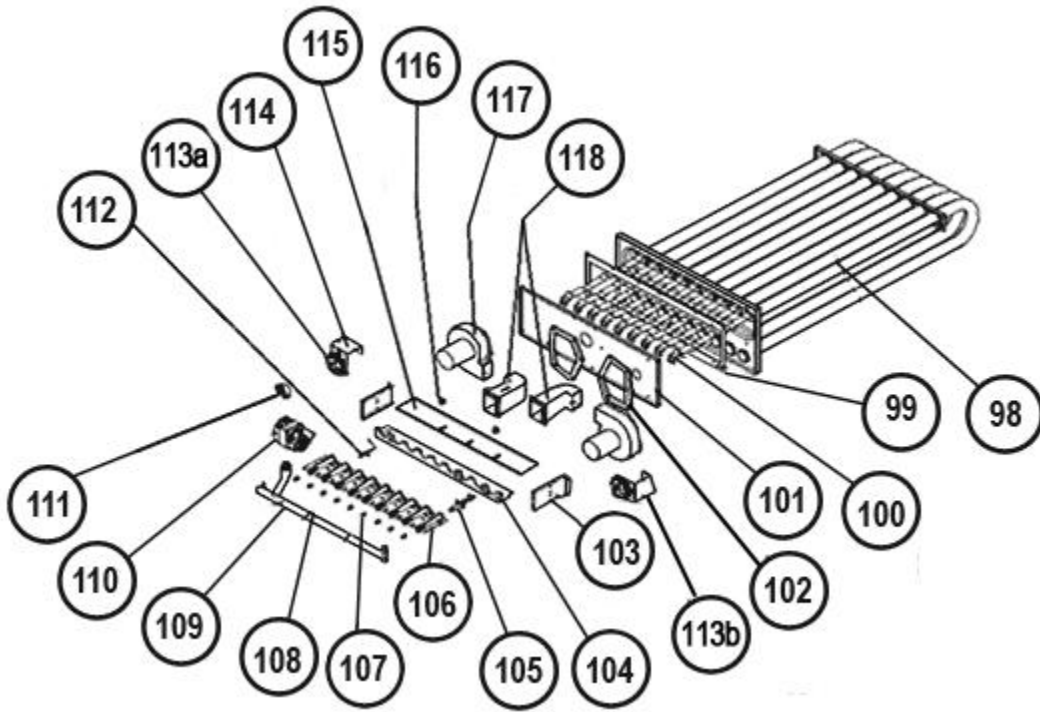
Interior - Front 120



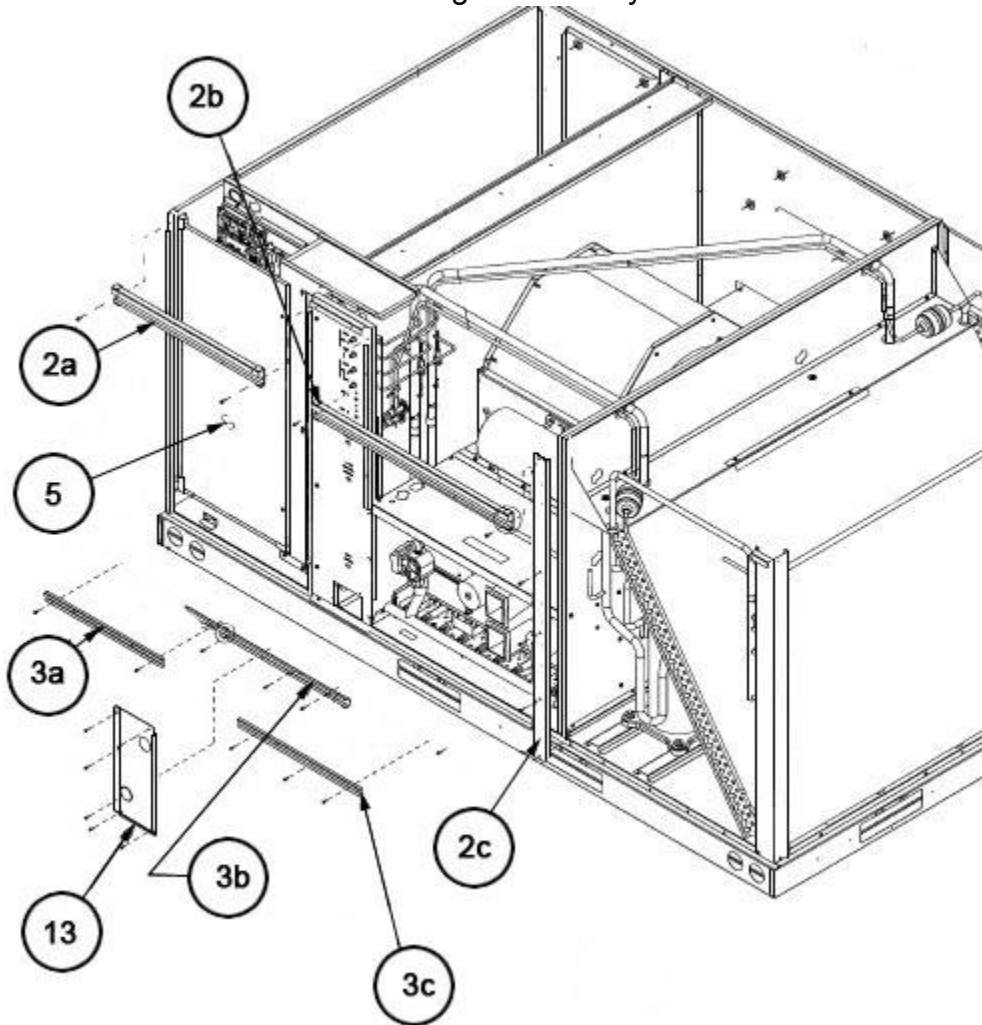
Filter-Coil Assembly 120



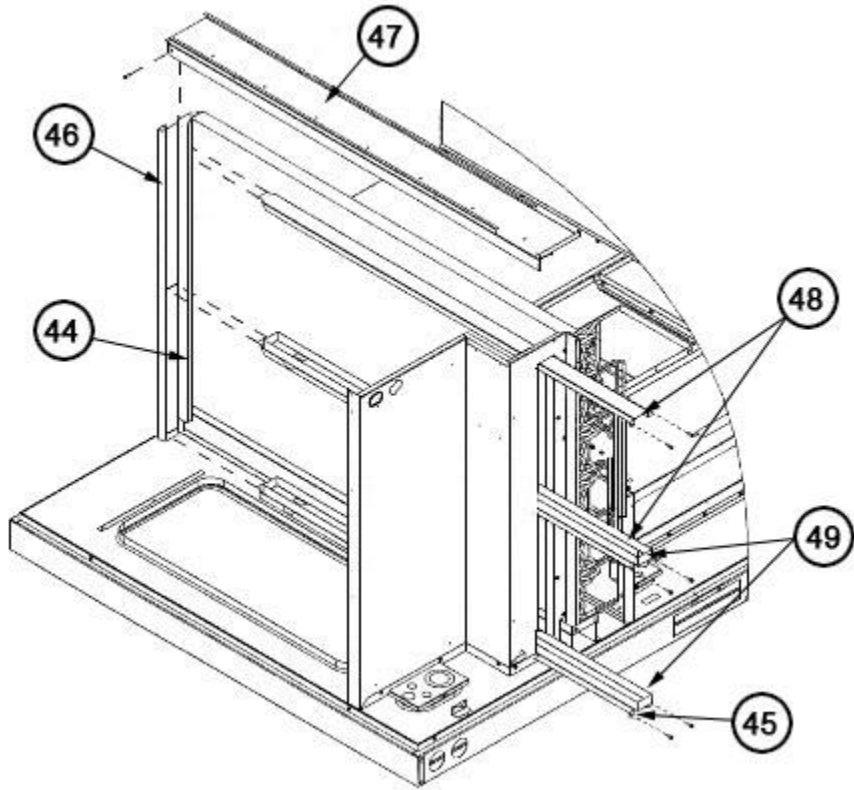
Condenser Coil Assembly 120



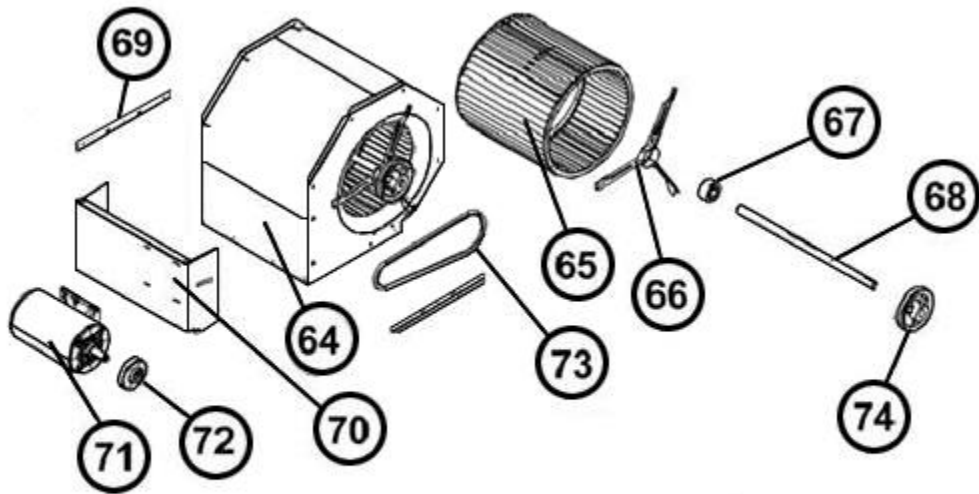
Heat Exchanger Assembly 120



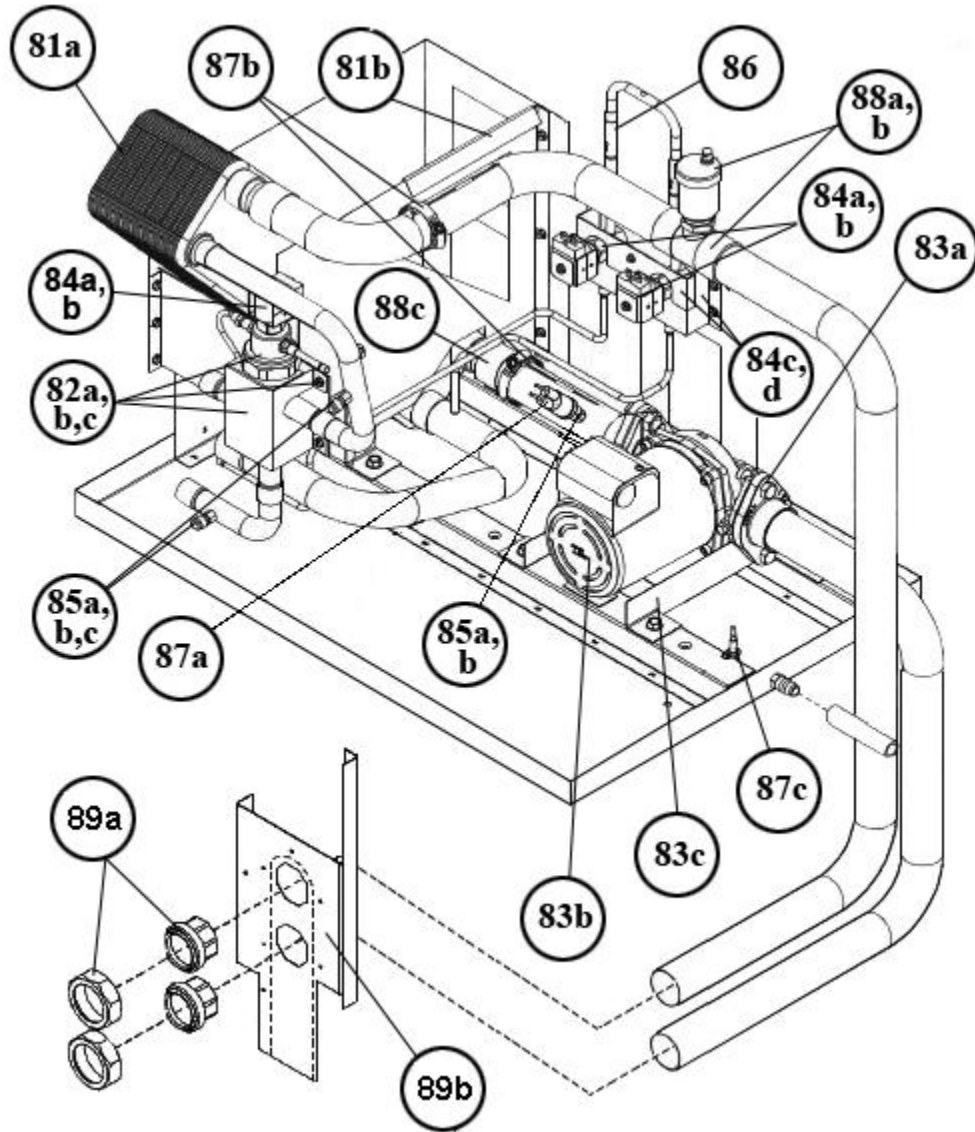
Front Panel Brackets 120



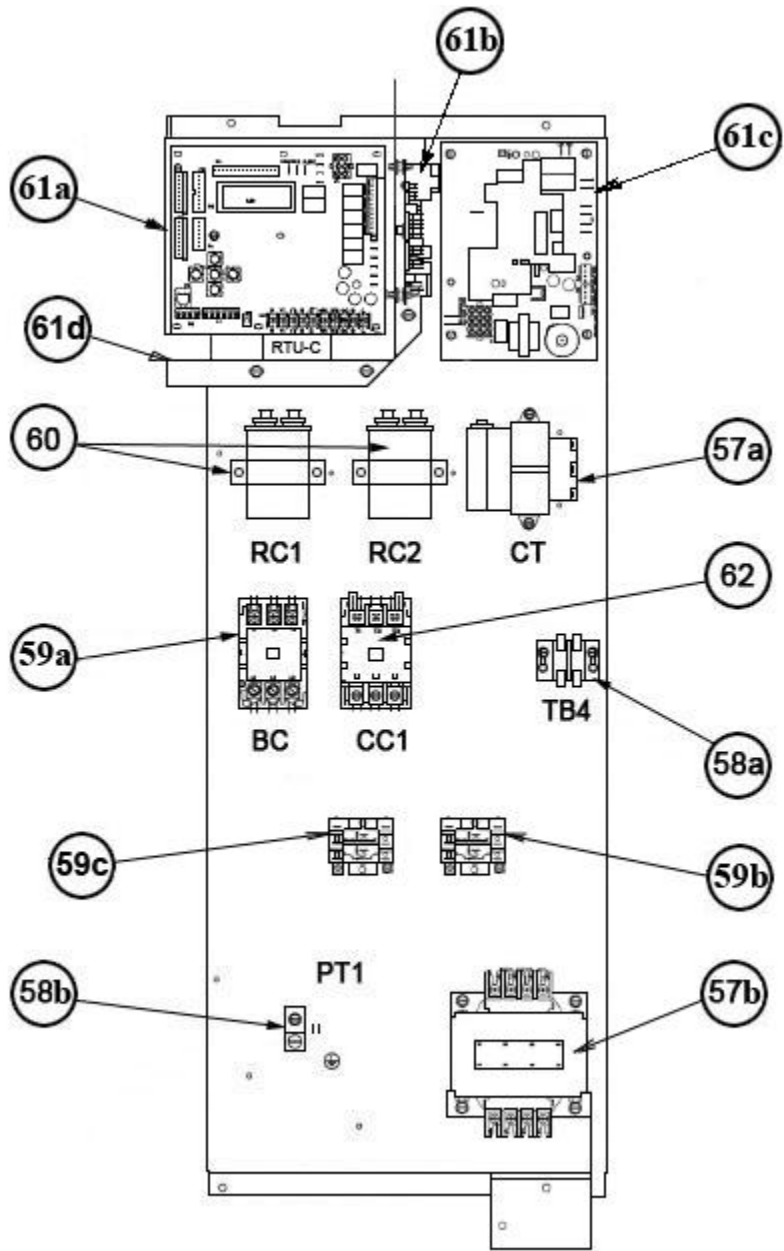
Filter Frame Assembly 120



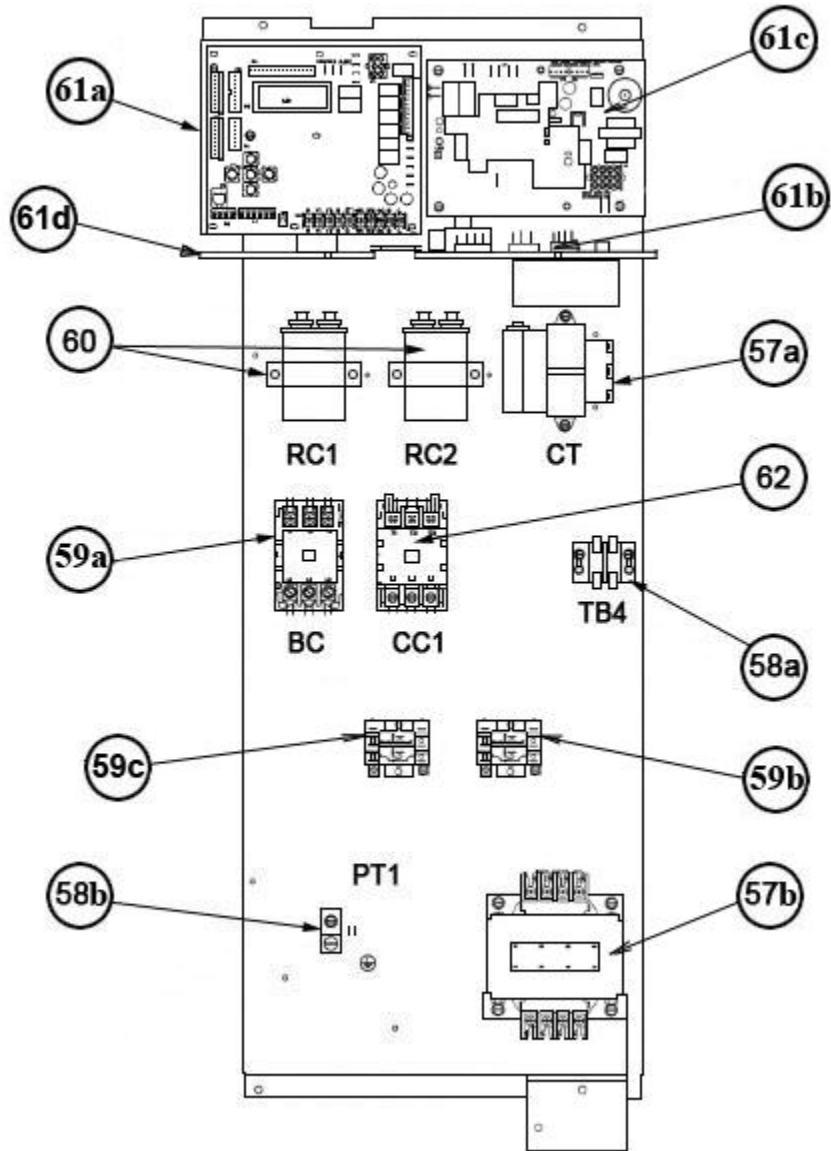
Blower Assembly 120



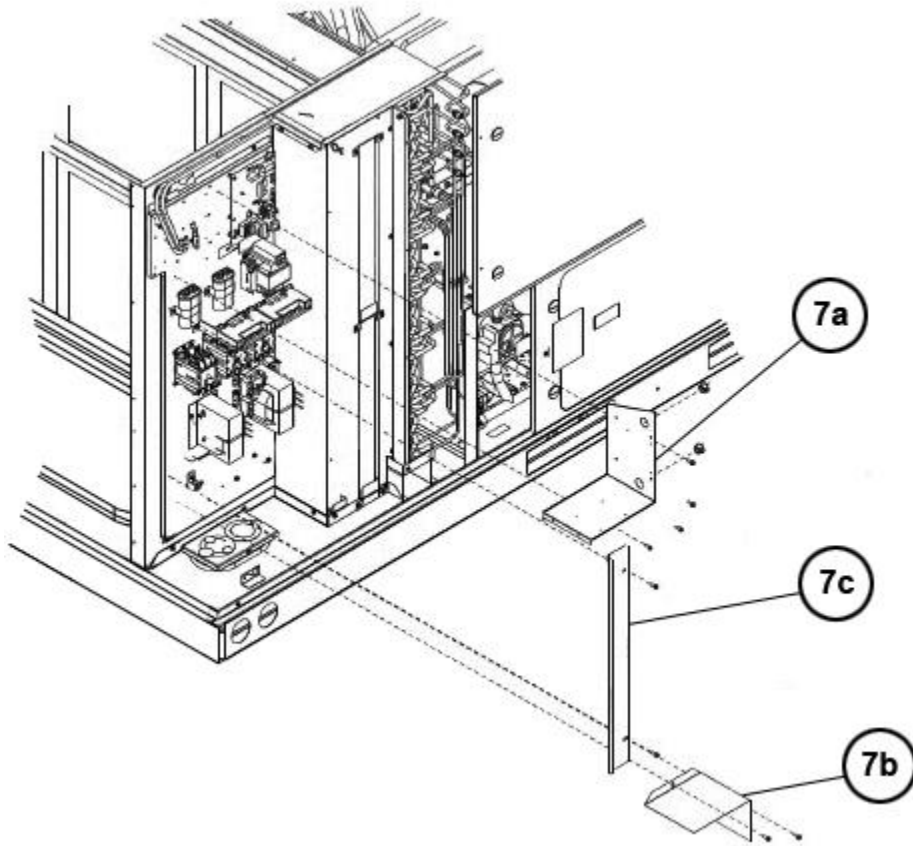
Hybrid Assembly 120



Control Box 120 After September 2012



Control Box 120 Before September 2012



Low Voltage Shields 120



# NOTES

Stk It is recommended that stock be maintained for this part.

N/A Not Applicable

- 1 Order the specified LP Conversion Kit.
- 2 Order Gas Valve for Natural Gas along with LP Conversion Kit.
- 3 On approximate Date Code 0213, the wire screens were removed from the Gas Heat Door inlet hood openings. If replacing the door on a unit manufactured after this date, new Inlet Flue Hoods (AE-90745-04) should be ordered. The new inlet hoods incorporate louvers to prevent entry of debris into the combustion chamber.

**DISCLAIMER:** This document is intended to provide general replacement parts information to aid qualified service personnel in the repair of these models. The complete Model and Serial Number of the unit under repair should be specified when selecting and ordering replacement parts. Specifications and illustrations are subject to change without notice. Document 92-42800-RKHL-C supersedes all previous parts lists for these models. See <http://www.rheempartslists.net/92-42800-RKHL-C> for the latest revision of this document. The manufacturer assumes no obligation for errors or omissions. Service personnel must verify the proper and safe operation of equipment after the replacement of any original components.