



The new degree of comfort.™

Rheem *Prestige Series*™ Two-Stage Air Conditioners equipped with the *Comfort Control System*™

RARL- JEZ Series

Efficiencies up to 16.5 SEER/13.0 EER

Nominal Sizes 2 to 5 Ton [7.03 to 17.6 kW]

Cooling Capacities 25.2 to 59 kBTU

[7.38 to 17.29 kW]



"Proper sizing and installation of equipment is critical to achieve optimal performance. Ask your Contractor for details or visit www.energystar.gov."

- The *Comfort Control System*™ provides on-board diagnostics and fault history for condensing units with single-phase compressors by detecting system and electrical problems without adding sensors. It can also communicate "fault codes" to enabled "L terminal" thermostats. The integrated diagnostics with Active Protection prevents compressor operation when damage would occur.
- 7-Segment LED Display is exclusive only to Rheem products. The information-display quickly and accurately shows technicians the source of malfunctions.
- Features a ten-year conditional unit replacement warranty when properly installed with a new Rheem Air Handler or Rheem Indoor Coil with a Rheem Gas Furnace. See product warranty card for additional information.
- Compressor sound blanket is standard to provide quiet operation.
- Reliable Two-Stage Scroll™ Compressor for precise temperature control providing ultimate comfort.
- Comfort Alert™ Diagnostics comes installed in each Rheem *Prestige Series*™ model.
- All controls are accessible by removing one service panel. Removable top grille provides access to the condenser fan motor and condenser coil.
- Attractive, louvered wrap-around jacket protects the coil from yard hazards and weather extremes. Top grille is steel reinforced for extra strength. Cabinet is powder painted for all-weather protection.
- Air is discharged upward away from bushes and shrubs. The discharge pattern of the top grille provides minimum air restriction, resulting in quiet fan operation.
- Exclusive Combination Grille/Motor Mount secures the motor to the underside of the discharge grille. The grille protects the motor windings and bearings from rain and snow.
- For quiet operation and improved efficiency, the 2, 3, and 4 ton models feature an 8-pole motor with a 3-blade outdoor fan. The 5 ton model features the GE® ECM two-speed motor with a 3-blade outdoor fan.
- All models meet or exceed a 1000-hour salt spray test per ASTM B117 Standard Practice for Operating Salt Spray Testing Apparatus.
- On-demand dehumidification terminal, when matched with a *Prestige Series*™ Air Handler or premium ECM Gas Furnace products, adjusts airflow to help control humidity, for unsurpassed comfort in the cooling mode.



TABLE OF CONTENTS

Model Features	3
Model Number Identification	4
Accessories.....	4
Scroll Compressor	4
Performance Data	5-28
Electrical & Physical Data	29
Unit Dimensions.....	30
Refrigerant Line Size Information	31
Limited Warranty	32

The Comfort Control System™ Features:

- The Rheem exclusive Dual 7-Segment LED Display easily shows system operating status codes and diagnostic codes.

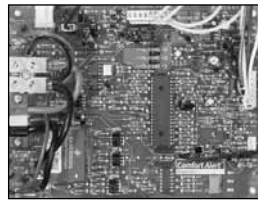
- A Sealed Switch replaces the standard



contactor and features optical control and latching mechanism. The sealed switch prevents infiltration of insects and dust. A minimal switching arc, by the optical control, offers greater reliability. The latching mechanism consumes less power while reducing chatter.



- The Status Indication and System Diagnostics feature thermostat communication capability, built-in diagnostics, high & low voltage monitoring and high & low pressure switch monitoring. The thermostat communication capability alerts the homeowner to any necessary service requirements. Faster, more accurate service is provided by the built-in diagnostics, by providing the HVAC professional with dependable information. With the high and low voltage monitoring feature, the control provides alerts for out-of-range conditions. In addition, high and low pressure-switch monitoring prevents the system from operating outside of its normal parameters.



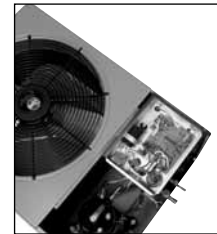
- The fault recall feature will allow for the last six fault-codes to be displayed, and will retain these codes even if power failure occurs.

- Built-in short-cycle protection allows the compressor to restart easily without oil removal.

- A 30-second minimum run-time for every compressor call allows the oil to return to the compressor.

- *Active Protection* monitors the system to prevent nuisance lockouts and prevents compressor operation when potentially harmful conditions are detected.

- The compressor and fan are controlled independently, which reduces the starting load and light dimming.



- A manual push-button is offered to operate the compressor and fan for 5 seconds to allow for an operation check.

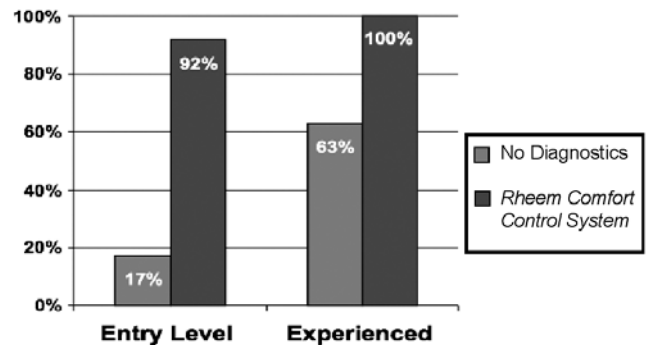
- In order to save time and money, replacement automotive fuses can be utilized instead of replacing the entire control board.

Standard Features

RARL- JEZ Condensing Units

1. Scroll compressor is hermetically sealed and incorporates internal high temperature motor overload protection, and durable insulation on the motor windings. It is externally mounted on rubber grommets to reduce vibration and noise.
2. Compressors have an internal pressure relief assembly to protect against excessive pressure differential.
3. All refrigerant connections are on the exterior of the unit, located close to the ground for neat appearing installations.
4. Cabinet is constructed of powder painted galvanized steel. The full wrap-around louvered grille protects the coil from damage.
5. Sound Blanket-enhanced compressor sound blanket is standard.
6. Copper tube—aluminum fin coils are used on all models.
7. The control box is located in the top corner of the cabinet providing for easy access through a service panel.
8. Service valves are standard on all models.
9. Field connections for power and control wiring are kept separate.
10. Every unit is factory charged and run-tested.
11. Separate compressor compartment for easy service access.
12. Drawn, painted base pan for extra corrosion resistance and sound reduction.
13. The RARL- JEZ has a 10-year limited parts warranty, plus a 10-year conditional unit replacement warranty. Refer to the General Terms of Limited Warranty for details.
14. **Hard Start Kits**—Standard on all JEZ models.
15. Control Box Cover.
16. The RARL- JEZ is shipped with a liquid line filter drier, and also features factory-installed low and high pressure controls, and time delay control.
17. The 2, 3 and 4 ton models feature an 8-pole motor with a 3-blade outdoor fan. The 5 ton model features the GE® ECM two-speed motor with a 3-blade outdoor fan.

Problem-Solving Accuracy



Scroll Two-Stage Ultra Tech™ Compressor

The 2-Stage Scroll UltraTech™ compressor is the key to efficiency for this Rheem model. It's the latest in high-efficiency compressor technology. The advanced scroll compressor offers low noise and vibration characteristics and features tolerance to liquid refrigerant and system contamination. The Scroll UltraTech™ also has low start torque, eliminating start problems in the field. And its unique design enables the RARL- JEZ condensing unit to perform efficiently, quietly and reliably.



All controls and compressor are accessible for servicing by removal of the service panel.



Model Number Identification

<u>R</u>	<u>A</u>	<u>R</u>	<u>L</u>	—	<u>024</u>	<u>J</u>	<u>E</u>	<u>Z</u>
RHEEM	REMOTE CONDENSING UNIT	16-SEER	DESIGN SERIES		COOLING CAPACITY	ELECTRICAL DESIGNATION	VARIATIONS E = EQUIPPED WITH THE COMFORT CONTROL SYSTEM™	COOLING CONNECTION FITTING Z = SWEAT W/SCROLL
					025 = 24,000 BTU/HR [7.03 kW] 038 = 36,000 BTU/HR [10.55 kW] 049 = 48,000 BTU/HR [14.07 kW] 061 = 60,000 BTU/HR [17.06 kW]	J = 208/230V-1-60		

Accessories

- Low Ambient Control (RXAD-A08)
- Crankcase Heater

Thermostats



200-Series *
Programmable



300-Series *
Deluxe
Programmable

400-Series *
Special Applications/
Programmable



500-Series *
Communicating/
Programmable

Brand	Descriptor (3 Characters)	Series (3 Characters)	System (2 Characters)	Type (2 Characters)
RHC	- TST	213	UN	MS
RHC=Rheem	TST=Thermostat	200=Programmable 300=Deluxe Programmable 400=Special Applications/ Programmable 500=Communicating/ Programmable	GE=Gas/Electric UN=Universal (AC/HP/GE) MD=Modulating Furnace DF=Dual Fuel CM=Communicating	SS=Single-Stage MS=Multi-Stage

* Photos are representative. Actual models may vary.

For detailed thermostat match-up information,
see specification sheet form number T11-001.

Scroll® Compressor

The reliable scroll compressor is the key to efficiency for this Rheem model. It's the latest in high-efficiency compressor technology. The advanced scroll compressor offers low noise and vibration characteristics and features tolerance to liquid refrigerant and system contamination. The scroll compressor also has low start torque, reducing start problems in the field. And its unique design enables air conditioners to perform efficiently and quietly.

[] Designates Metric Conversions



Performance Data @ AHRI Standard Conditions—Cooling

Outdoor Unit RARL-	Model Numbers		Stage	AHRI Cooling Performance 80°F [26.5°C] / 67°F [19.5°C] WB Indoor Air 95°F [35°C] DB Outdoor Air							
				Net Sensible BTU/H [kW]	Net Latent BTU/H [kW]	AHRI Ratings			Indoor Airflow CFM [L/s]	Sound Rating dB	
	ID Coil	ID Air Mover				Total Capacity BTU/H [kW]	SEER	EER			
Rev. 5/8/2012	RCSN-H*2421 ①	RHPN-HM2421	1	16800 [4.9]	4000 [1.2]	25200 [7.4]	16.5	13	575 [271]	71	
			2	18900 [5.5]	6300 [1.8]				825 [389]	74	
1 - dehumid			11400 [3.3]	5000 [1.5]	450 [212]						
2 - dehumid			17100 [5.0]	6700 [2.0]	675 [319]						
025JEZ	RCFL-H*2417	RGFE-06?MCK?	1	16000 [4.7]	4200 [1.2]	24800 [7.3]	15.5	12.5	575 [271]	71	
			2	18300 [5.4]	6500 [1.9]				800 [378]	74	
		RGFE-07?MCK?	1	16300 [4.8]	4100 [1.2]	24600 [7.2]	16	13	600 [283]	71	
			2	18100 [5.3]	6500 [1.9]				825 [389]	74	
		RGFG-06?MCK?	1	16000 [4.7]	4200 [1.2]	24800 [7.3]	15.5	12.5	575 [271]	71	
			2	18300 [5.4]	6500 [1.9]				800 [378]	74	
		RGFG-07?MCK?	1	16300 [4.8]	4100 [1.2]	24600 [7.2]	16	12.5	600 [283]	71	
			2	18100 [5.3]	6500 [1.9]				850 [401]	74	
		RGGE-06?MCK?	1	16300 [4.8]	4100 [1.2]	24800 [7.3]	16	13	625 [295]	71	
			2	18300 [5.4]	6500 [1.9]				825 [389]	74	
		RGGE-07?MCK?	1	16000 [4.7]	4200 [1.2]	24800 [7.3]	15.5	12.5	575 [271]	71	
			2	18300 [5.4]	6500 [1.9]				800 [378]	74	
		RGJF-06?MCK?	1	16300 [4.8]	4100 [1.2]	24800 [7.3]	16	13	625 [295]	71	
			2	18300 [5.4]	6500 [1.9]				825 [389]	74	
		RGJF-07?MCK?	1	16000 [4.7]	4200 [1.2]	24800 [7.3]	15.5	12.5	575 [271]	71	
			2	18300 [5.4]	6500 [1.9]				800 [378]	74	
		RGLE-07?AMK?	1	16300 [4.8]	4100 [1.2]	24800 [7.3]	16	13	600 [283]	71	
			2	18300 [5.4]	6500 [1.9]				800 [378]	74	
		RGPE-05?BMK?	1	16000 [4.7]	4200 [1.2]	24800 [7.3]	15.5	12.5	575 [271]	71	
			2	18300 [5.4]	6500 [1.9]				800 [378]	74	
		RGPE-07?AMK?	1	16300 [4.8]	4100 [1.2]	24800 [7.3]	16	13	625 [295]	71	
			2	18300 [5.4]	6500 [1.9]				825 [389]	74	
		RGRM-04?MAE?	1	15800 [4.6]	4200 [1.2]	24600 [7.2]	15.5	12.5	575 [271]	71	
			2	18100 [5.3]	6500 [1.9]				800 [378]	74	
		RGRM-06?MAE?	1	16300 [4.8]	4100 [1.2]	24600 [7.2]	16	12.5	600 [283]	71	
			2	18100 [5.3]	6500 [1.9]				825 [389]	74	
		RGRM-07?MAE?	1	16300 [4.8]	4100 [1.2]	24400 [7.1]	15.5	12.5	625 [295]	71	
			2	17900 [5.2]	6500 [1.9]				850 [401]	74	
		RGTM-06?MAE?	1	17200 [5.0]	3800 [1.1]	24600 [7.2]	15.5	12.5	750 [354]	71	
			2	18100 [5.3]	6500 [1.9]				825 [389]	74	
		ROCA-070E03	1	16300 [4.8]	4100 [1.2]	24800 [7.3]	16	13	600 [283]	71	
			2	18300 [5.4]	6500 [1.9]				800 [378]	74	
		ROLA-070E03	1	16300 [4.8]	4100 [1.2]	24800 [7.3]	15.5	12.5	600 [283]	71	
			2	18300 [5.4]	6500 [1.9]				800 [378]	74	
		RCFL-H*2417+RXMD-C06	Coil Only	1	15800 [4.6]	4100 [1.2]	24200 [7.1]	14	11.5	625 [295]	71
				2	17700 [5.2]	6500 [1.9]				825 [389]	74
		RCFL-H*2617	RGFE-06?MCK?	1	16400 [4.8]	4200 [1.2]	25600 [7.5]	16.5	13	575 [271]	71
				2	18900 [5.5]	6700 [2.0]				800 [378]	74
			RGFE-07?MCK?	1	16900 [5.0]	4100 [1.2]	25600 [7.5]	16.5	13	600 [283]	71
				2	18900 [5.5]	6700 [2.0]				825 [389]	74
			RGFG-06?MCK?	1	16400 [4.8]	4200 [1.2]	25600 [7.5]	16.5	13	575 [271]	71
				2	18900 [5.5]	6700 [2.0]				800 [378]	74

① Highest sales volume tested combination required by D.O.E. test procedures.

[] Designates Metric Conversions

Performance Data @ AHRI Standard Conditions—Cooling

Outdoor Unit RARL-	Model Numbers		Stage	AHRI Cooling Performance 80°F [26.5°C] / 67°F [19.5°C] WB Indoor Air 95°F [35°C] DB Outdoor Air						
				Net Sensible BTU/H [kW]	Net Latent BTU/H [kW]	AHRI Ratings			Indoor Airflow CFM [L/s]	Sound Rating dB
	ID Coil	ID Air Mover				Total Capacity BTU/H [kW]	SEER	EER		
Rev. 5/8/2012	RCFL-H*2617	RGFG-07?MCK?	1	16900 [5.0]	4100 [1.2]	25600 [7.5]	16.5	13	600 [283]	71
			2	18900 [5.5]	6700 [2.0]				850 [401]	74
RGGE-06?MCK?		1	16900 [5.0]	4100 [1.2]	25600 [7.5]	16.5	13	625 [295]	71	
		2	18900 [5.5]	6700 [2.0]				825 [389]	74	
RGGE-07?MCK?		1	16400 [4.8]	4200 [1.2]	25600 [7.5]	16.5	13	575 [271]	71	
		2	18900 [5.5]	6700 [2.0]				800 [378]	74	
RGJF-06?MCK?		1	16900 [5.0]	4100 [1.2]	25600 [7.5]	16.5	13	625 [295]	71	
		2	18900 [5.5]	6700 [2.0]				825 [389]	74	
RGJF-07?MCK?		1	16400 [4.8]	4200 [1.2]	25600 [7.5]	16.5	13	575 [271]	71	
		2	18900 [5.5]	6700 [2.0]				800 [378]	74	
RGLE-07?AMK?		1	16900 [5.0]	4100 [1.2]	25600 [7.5]	16.5	13	600 [283]	71	
		2	18900 [5.5]	6700 [2.0]				800 [378]	74	
RGPE-05?BMK?		1	16400 [4.8]	4200 [1.2]	25600 [7.5]	16.5	13	575 [271]	71	
		2	18900 [5.5]	6700 [2.0]				800 [378]	74	
RGPE-07?AMK?		1	16900 [5.0]	4100 [1.2]	25600 [7.5]	16.5	13	625 [295]	71	
		2	18900 [5.5]	6700 [2.0]				825 [389]	74	
RGRM-04?MAE?		1	16400 [4.8]	4200 [1.2]	25600 [7.5]	16	13	575 [271]	71	
		2	18900 [5.5]	6700 [2.0]				800 [378]	74	
RGRM-06?MAE?		1	16900 [5.0]	4100 [1.2]	25600 [7.5]	16.5	13	600 [283]	71	
		2	18900 [5.5]	6700 [2.0]				825 [389]	74	
RGRM-07?MAE?	1	16700 [4.9]	4100 [1.2]	25400 [7.4]	16	13	625 [295]	71		
	2	18700 [5.5]	6700 [2.0]				850 [401]	74		
RGTM-06?MAE?	1	17800 [5.2]	3800 [1.1]	25600 [7.5]	16	13	750 [354]	71		
	2	18900 [5.5]	6700 [2.0]				825 [389]	74		
ROCA-070E03	1	16900 [5.0]	4100 [1.2]	25600 [7.5]	16.5	13	600 [283]	71		
	2	18900 [5.5]	6700 [2.0]				800 [378]	74		
ROLA-070E03	1	16900 [5.0]	4100 [1.2]	25600 [7.5]	16.5	13	600 [283]	71		
	2	18900 [5.5]	6700 [2.0]				800 [378]	74		
RCFL-H*2617+RXMD-C06	Coil Only	1	16300 [4.8]	4100 [1.2]	25000 [7.3]	14.5	12	625 [295]	71	
		2	18300 [5.4]	6700 [2.0]				825 [389]	74	
025JEZ	RCFL-H*2621	RGFE-06?MCK?	1	16200 [4.7]	4200 [1.2]	25400 [7.4]	16.5	13	575 [271]	71
			2	18900 [5.5]	6500 [1.9]				800 [378]	74
		RGFE-07?MCK?	1	16800 [4.9]	4000 [1.2]	25400 [7.4]	16.5	13	600 [283]	71
			2	18900 [5.5]	6500 [1.9]				825 [389]	74
		RGFG-06?MCK?	1	16200 [4.7]	4200 [1.2]	25400 [7.4]	16.5	13	575 [271]	71
			2	18900 [5.5]	6500 [1.9]				800 [378]	74
		RGFG-07?MCK?	1	16800 [4.9]	4000 [1.2]	25200 [7.4]	16.5	13	600 [283]	71
			2	18700 [5.5]	6500 [1.9]				850 [401]	74
		RGGE-06?MCK?	1	16800 [4.9]	4000 [1.2]	25400 [7.4]	16.5	13	625 [295]	71
			2	18900 [5.5]	6500 [1.9]				825 [389]	74
		RGGE-07?MCK?	1	16400 [4.8]	4200 [1.2]	25400 [7.4]	16.5	13	575 [271]	71
			2	18900 [5.5]	6500 [1.9]				800 [378]	74
		RGJF-06?MCK?	1	16800 [4.9]	4000 [1.2]	25400 [7.4]	16.5	13	625 [295]	71
			2	18900 [5.5]	6500 [1.9]				825 [389]	74
		RGJF-07?MCK?	1	16400 [4.8]	4200 [1.2]	25400 [7.4]	16.5	13	575 [271]	71
			2	18900 [5.5]	6500 [1.9]				800 [378]	74

① Highest sales volume tested combination required by D.O.E. test procedures.

[] Designates Metric Conversions

Performance Data @ AHRI Standard Conditions—Cooling

Outdoor Unit RARL-	Model Numbers		Stage	AHRI Cooling Performance 80°F [26.5°C] / 67°F [19.5°C] WB Indoor Air 95°F [35°C] DB Outdoor Air							
				Net Sensible BTU/H [kW]	Net Latent BTU/H [kW]	AHRI Ratings			Indoor Airflow CFM [L/s]	Sound Rating dB	
	ID Coil	ID Air Mover				Total Capacity BTU/H [kW]	SEER	EER			
Rev. 5/8/2012	RCFL-H*2621	RGLE-07?AMK?	1	16800 [4.9]	4000 [1.2]	25400 [7.4]	16.5	13	600 [283]	71	
			2	18900 [5.5]	6500 [1.9]				800 [378]	74	
		RGPE-05?BMK?	1	16400 [4.8]	4200 [1.2]	25400 [7.4]	16.5	13	575 [271]	71	
			2	18900 [5.5]	6500 [1.9]				800 [378]	74	
		RGPE-07?AMK?	1	16800 [4.9]	4000 [1.2]	25400 [7.4]	16.5	13	625 [295]	71	
			2	18900 [5.5]	6500 [1.9]				825 [389]	74	
		RGRM-04?MAE?	1	16200 [4.7]	4200 [1.2]	25200 [7.4]	16.5	13	575 [271]	71	
			2	18700 [5.5]	6500 [1.9]				800 [378]	74	
		RGRM-06?MAE?	1	16800 [4.9]	4000 [1.2]	25200 [7.4]	16.5	13	600 [283]	71	
			2	18700 [5.5]	6500 [1.9]				825 [389]	74	
		RGRM-07?MAE?	1	16800 [4.9]	4000 [1.2]	25200 [7.4]	16	13	625 [295]	71	
			2	18700 [5.5]	6500 [1.9]				850 [401]	74	
		RGTM-06?MAE?	1	17700 [5.2]	3700 [1.1]	25400 [7.4]	16.5	13	750 [354]	71	
			2	18900 [5.5]	6500 [1.9]				825 [389]	74	
		ROCA-070E03	1	16800 [4.9]	4000 [1.2]	25400 [7.4]	16.5	13	600 [283]	71	
			2	18900 [5.5]	6500 [1.9]				800 [378]	74	
		ROLA-070E03	1	16800 [4.9]	4000 [1.2]	25400 [7.4]	16.5	13	600 [283]	71	
			2	18900 [5.5]	6500 [1.9]				800 [378]	74	
		RCFL-H*2621+RXMD-C06	Coil Only	1	16200 [4.7]	4000 [1.2]	24800 [7.3]	14.5	12	625 [295]	71
				2	18300 [5.4]	6500 [1.9]				825 [389]	74
025JEZ	RCFN-H*2417	RGFE-06?MCK?	1	16800 [4.9]	4000 [1.2]	25000 [7.3]	16.5	13	575 [271]	71	
			2	18700 [5.5]	6300 [1.8]				800 [378]	74	
		RGFE-07?MCK?	1	16800 [4.9]	4000 [1.2]	25000 [7.3]	16.5	13	600 [283]	71	
			2	18700 [5.5]	6300 [1.8]				825 [389]	74	
		RGFG-06?MCK?	1	16800 [4.9]	4000 [1.2]	25000 [7.3]	16.5	13	575 [271]	71	
			2	18700 [5.5]	6300 [1.8]				800 [378]	74	
		RGFG-07?MCK?	1	16800 [4.9]	4000 [1.2]	25000 [7.3]	16	13	600 [283]	71	
			2	18700 [5.5]	6300 [1.8]				850 [401]	74	
		RGGE-06?MCK?	1	17300 [5.1]	3900 [1.1]	25200 [7.4]	16.5	13	625 [295]	71	
			2	18900 [5.5]	6300 [1.8]				825 [389]	74	
		RGGE-07?MCK?	1	16800 [4.9]	4000 [1.2]	25000 [7.3]	16.5	13	575 [271]	71	
			2	18700 [5.5]	6300 [1.8]				800 [378]	74	
		RGJF-06?MCK?	1	17300 [5.1]	3900 [1.1]	25200 [7.4]	16.5	13	625 [295]	71	
			2	18900 [5.5]	6300 [1.8]				825 [389]	74	
		RGJF-07?MCK?	1	16800 [4.9]	4000 [1.2]	25000 [7.3]	16.5	13	575 [271]	71	
			2	18700 [5.5]	6300 [1.8]				800 [378]	74	
		RGLE-07?AMK?	1	16800 [4.9]	4000 [1.2]	25200 [7.4]	16.5	13	600 [283]	71	
			2	18900 [5.5]	6300 [1.8]				800 [378]	74	
		RGPE-05?BMK?	1	16800 [4.9]	4000 [1.2]	25200 [7.4]	16.5	13	575 [271]	71	
			2	18900 [5.5]	6300 [1.8]				800 [378]	74	
		RGPE-07?AMK?	1	17300 [5.1]	3900 [1.1]	25200 [7.4]	16.5	13	625 [295]	71	
			2	18900 [5.5]	6300 [1.8]				825 [389]	74	
		RGRM-04?MAE?	1	16800 [4.9]	4000 [1.2]	25000 [7.3]	16.5	13	575 [271]	71	
			2	18700 [5.5]	6300 [1.8]				800 [378]	74	
		RGRM-06?MAE?	1	16800 [4.9]	4000 [1.2]	25000 [7.3]	16.5	13	600 [283]	71	
			2	18700 [5.5]	6300 [1.8]				825 [389]	74	

① Highest sales volume tested combination required by D.O.E. test procedures.

[] Designates Metric Conversions

Performance Data @ AHRI Standard Conditions—Cooling

Outdoor Unit RARL-	Model Numbers		Stage	AHRI Cooling Performance 80°F [26.5°C] / 67°F [19.5°C] WB Indoor Air 95°F [35°C] DB Outdoor Air							
				Net Sensible BTU/H [kW]	Net Latent BTU/H [kW]	AHRI Ratings			Indoor Airflow CFM [L/s]	Sound Rating dB	
	ID Coil	ID Air Mover				Total Capacity BTU/H [kW]	SEER	EER			
Rev. 5/8/2012	RCFN-H*2417	RGRM-07?MAE?	1	17100 [5.0]	3900 [1.1]	24800 [7.3]	16	12.5	625 [295]	71	
			2	18500 [5.4]	6300 [1.8]				850 [401]	74	
RGTM-06?MAE?		1	18200 [5.3]	3600 [1.1]	25000 [7.3]	16.5	13	750 [354]	71		
		2	18700 [5.5]	6300 [1.8]				825 [389]	74		
ROCA-070E03		1	16800 [4.9]	4000 [1.2]	25200 [7.4]	16.5	13	600 [283]	71		
		2	18900 [5.5]	6300 [1.8]				800 [378]	74		
ROLA-070E03		1	16800 [4.9]	4000 [1.2]	25200 [7.4]	16.5	13	600 [283]	71		
		2	18900 [5.5]	6300 [1.8]				800 [378]	74		
RCFN-H*2417+RXMD-C06		Coil Only	1	16700 [4.9]	3900 [1.1]	24600 [7.2]	14	12	625 [295]	71	
			2	18300 [5.4]	6300 [1.8]				825 [389]	74	
025JEZ		RCFN-H*2421	RGFE-06?MCK?	1	16800 [4.9]	4000 [1.2]	25000 [7.3]	16.5	13	575 [271]	71
				2	18700 [5.5]	6300 [1.8]				800 [378]	74
	RGFE-07?MCK?		1	16800 [4.9]	4000 [1.2]	25000 [7.3]	16.5	13	600 [283]	71	
			2	18700 [5.5]	6300 [1.8]				825 [389]	74	
	RGFG-06?MCK?		1	16800 [4.9]	4000 [1.2]	25000 [7.3]	16.5	13	575 [271]	71	
			2	18700 [5.5]	6300 [1.8]				800 [378]	74	
	RGFG-07?MCK?		1	16800 [4.9]	4000 [1.2]	25000 [7.3]	16	13	600 [283]	71	
			2	18700 [5.5]	6300 [1.8]				850 [401]	74	
	RGGE-06?MCK?		1	17300 [5.1]	3900 [1.1]	25200 [7.4]	16.5	13	625 [295]	71	
			2	18900 [5.5]	6300 [1.8]				825 [389]	74	
	RGGE-07?MCK?		1	16800 [4.9]	4000 [1.2]	25200 [7.4]	16.5	13	575 [271]	71	
			2	18900 [5.5]	6300 [1.8]				800 [378]	74	
	RGJF-06?MCK?		1	17300 [5.1]	3900 [1.1]	25200 [7.4]	16.5	13	625 [295]	71	
			2	18900 [5.5]	6300 [1.8]				825 [389]	74	
	RGJF-07?MCK?		1	16800 [4.9]	4000 [1.2]	25200 [7.4]	16.5	13	575 [271]	71	
			2	18900 [5.5]	6300 [1.8]				800 [378]	74	
	RGLE-07?AMK?		1	16800 [4.9]	4000 [1.2]	25200 [7.4]	16.5	13	600 [283]	71	
			2	18900 [5.5]	6300 [1.8]				800 [378]	74	
	RGPE-05?BMK?		1	16800 [4.9]	4000 [1.2]	25200 [7.4]	16.5	13	575 [271]	71	
			2	18900 [5.5]	6300 [1.8]				800 [378]	74	
	RGPE-07?AMK?		1	17300 [5.1]	3900 [1.1]	25200 [7.4]	16.5	13	625 [295]	71	
			2	18900 [5.5]	6300 [1.8]				825 [389]	74	
	RGRM-04?MAE?		1	16800 [4.9]	4000 [1.2]	25000 [7.3]	16.5	13	575 [271]	71	
			2	18700 [5.5]	6300 [1.8]				800 [378]	74	
	RGRM-06?MAE?		1	16800 [4.9]	4000 [1.2]	25000 [7.3]	16.5	13	600 [283]	71	
			2	18700 [5.5]	6300 [1.8]				825 [389]	74	
	RGRM-07?MAE?		1	17100 [5.0]	3900 [1.1]	24800 [7.3]	16	12.5	625 [295]	71	
			2	18500 [5.4]	6300 [1.8]				850 [401]	74	
	RGTM-06?MAE?		1	18200 [5.3]	3600 [1.1]	25000 [7.3]	16.5	13	750 [354]	71	
			2	18700 [5.5]	6300 [1.8]				825 [389]	74	
	ROCA-070E03		1	16800 [4.9]	4000 [1.2]	25200 [7.4]	16.5	13	600 [283]	71	
			2	18900 [5.5]	6300 [1.8]				800 [378]	74	
	ROLA-070E03		1	16800 [4.9]	4000 [1.2]	25200 [7.4]	16.5	13	600 [283]	71	
			2	18900 [5.5]	6300 [1.8]				800 [378]	74	
	RCFN-H*2421+RXMD-C06		Coil Only	1	16700 [4.9]	3900 [1.1]	24600 [7.2]	14	12	625 [295]	71
				2	18300 [5.4]	6300 [1.8]				825 [389]	74

① Highest sales volume tested combination required by D.O.E. test procedures.

[] Designates Metric Conversions

Performance Data @ AHRI Standard Conditions—Cooling

Outdoor Unit RARL-	Model Numbers		Stage	AHRI Cooling Performance 80°F [26.5°C] / 67°F [19.5°C] WB Indoor Air 95°F [35°C] DB Outdoor Air						
				Net Sensible BTU/H [kW]	Net Latent BTU/H [kW]	AHRI Ratings			Indoor Airflow CFM [L/s]	Sound Rating dB
	ID Coil	ID Air Mover				Total Capacity BTU/H [kW]	SEER	EER		
Rev. 5/8/2012 025JEZ	RCQD-2417	RBHM-17J	1	17500 [5.1]	3500 [1.0]	25600 [7.5]	16.5	13	600 [283]	71
			2	20100 [5.9]	5500 [1.6]				825 [389]	74
		RGFE-06?MCK?	1	17000 [5.0]	3600 [1.1]	25600 [7.5]	16.5	13	575 [271]	71
			2	20100 [5.9]	5500 [1.6]				800 [378]	74
		RGFE-07?MCK?	1	17500 [5.1]	3500 [1.0]	25600 [7.5]	16.5	13	600 [283]	71
			2	20100 [5.9]	5500 [1.6]				825 [389]	74
		RGFG-06?MCK?	1	17000 [5.0]	3600 [1.1]	25600 [7.5]	16.5	13	575 [271]	71
			2	20100 [5.9]	5500 [1.6]				800 [378]	74
		RGFG-07?MCK?	1	17500 [5.1]	3500 [1.0]	25400 [7.4]	16.5	13	600 [283]	71
			2	19900 [5.8]	5500 [1.6]				850 [401]	74
		RGJF-06?MCK?	1	17500 [5.1]	3500 [1.0]	25600 [7.5]	16.5	13	625 [295]	71
			2	20100 [5.9]	5500 [1.6]				825 [389]	74
		RGJF-07?MCK?	1	17000 [5.0]	3600 [1.1]	25600 [7.5]	16.5	13	575 [271]	71
			2	20100 [5.9]	5500 [1.6]				800 [378]	74
		RGPE-05?BMK?	1	17000 [5.0]	3600 [1.1]	25600 [7.5]	16.5	13	575 [271]	71
			2	20100 [5.9]	5500 [1.6]				800 [378]	74
		RGPE-07?AMK?	1	17500 [5.1]	3500 [1.0]	25600 [7.5]	16.5	13	625 [295]	71
			2	20100 [5.9]	5500 [1.6]				825 [389]	74
		RGRM-04?MAE?	1	17000 [5.0]	3600 [1.1]	25400 [7.4]	16	13	575 [271]	71
			2	19900 [5.8]	5500 [1.6]				800 [378]	74
		RGRM-06?MAE?	1	17500 [5.1]	3500 [1.0]	25400 [7.4]	16.5	13	600 [283]	71
			2	19900 [5.8]	5500 [1.6]				825 [389]	74
		RGRM-07?MAE?	1	17300 [5.1]	3500 [1.0]	25400 [7.4]	16	13	625 [295]	71
			2	19900 [5.8]	5500 [1.6]				850 [401]	74
		RGTM-06?MAE?	1	18500 [5.4]	3100 [0.9]	25600 [7.5]	16.5	13	750 [354]	71
			2	20100 [5.9]	5500 [1.6]				825 [389]	74
		ROCA-070E03	1	17500 [5.1]	3500 [1.0]	25600 [7.5]	16.5	13	600 [283]	71
			2	20100 [5.9]	5500 [1.6]				800 [378]	74
	ROLA-070E03	1	17300 [5.1]	3500 [1.0]	25600 [7.5]	16.5	13	600 [283]	71	
		2	20100 [5.9]	5500 [1.6]				800 [378]	74	
	RCQD-2417+RXMD-C06	Coil Only	1	16900 [5.0]	3500 [1.0]	25000 [7.3]	14.5	12	625 [295]	71
			2	19500 [5.7]	5500 [1.6]				825 [389]	74
	RCSL-H*2621	RHPL-HM2421	1	16800 [4.9]	4000 [1.2]	25400 [7.4]	16.5	13	600 [283]	71
			2	18900 [5.5]	6500 [1.9]				800 [378]	74
038JEZ	RCSN-H*3624 ①	RHPN-HM3624	1	22400 [6.6]	8600 [2.5]	38000 [11.1]	16.5	13	925 [437]	71
			2	27500 [8.1]	10500 [3.1]				1125 [531]	72
			1 - dehumid	19000 [5.6]	7400 [2.2]				750 [354]	
			2 - dehumid	25900 [7.6]	11700 [3.4]				950 [448]	
	RCFL-H*3617	RGFE-06?MCK?	1	18900 [5.5]	9300 [2.7]	34400 [10.1]	14	11	875 [413]	71
			2	23500 [6.9]	10900 [3.2]				1200 [566]	72
		RGFE-07?MCK?	1	18900 [5.5]	9300 [2.7]	34400 [10.1]	14	11	875 [413]	71
			2	23600 [6.9]	10800 [3.2]				1225 [578]	72
		RGFG-06?MCK?	1	17900 [5.2]	9700 [2.8]	33800 [9.9]	14	11.5	725 [342]	71
			2	22100 [6.5]	11700 [3.4]				1000 [472]	72
		RGFG-07?MCK?	1	18500 [5.4]	9500 [2.8]	33800 [9.9]	14	11.5	800 [378]	71
			2	22100 [6.5]	11700 [3.4]				1000 [472]	72

① Highest sales volume tested combination required by D.O.E. test procedures.

[] Designates Metric Conversions

Performance Data @ AHRI Standard Conditions—Cooling

Outdoor Unit RARL-	Model Numbers		Stage	AHRI Cooling Performance 80°F [26.5°C] / 67°F [19.5°C] WB Indoor Air 95°F [35°C] DB Outdoor Air						
				Net Sensible BTU/H [kW]	Net Latent BTU/H [kW]	AHRI Ratings			Indoor Airflow CFM [L/s]	Sound Rating dB
	ID Coil	ID Air Mover				Total Capacity BTU/H [kW]	SEER	EER		
Rev. 5/8/2012	RCFL-H*3617	RGGE-06?MCK?	1	17900 [5.2]	9700 [2.8]	34200 [10.0]	14.5	11.5	725 [342]	71
			2	22600 [6.6]	11600 [3.4]				1025 [484]	72
RGGE-07?MCK?		1	18200 [5.3]	9600 [2.8]	34000 [10.0]	14.5	11.5	750 [354]	71	
		2	22400 [6.6]	11600 [3.4]				1025 [484]	72	
RGJF-06?MCK?		1	17900 [5.2]	9700 [2.8]	34200 [10.0]	14.5	11.5	725 [342]	71	
		2	22600 [6.6]	11600 [3.4]				1025 [484]	72	
RGJF-07?MCK?		1	18200 [5.3]	9600 [2.8]	34000 [10.0]	14.5	11.5	750 [354]	71	
		2	22400 [6.6]	11600 [3.4]				1025 [484]	72	
RGLE-07?AMK?		1	18200 [5.3]	9600 [2.8]	34200 [10.0]	14.5	12	750 [354]	71	
		2	22600 [6.6]	11600 [3.4]				1025 [484]	72	
RGPE-05?BMK?		1	19500 [5.7]	9100 [2.7]	34600 [10.1]	14	11	900 [425]	71	
		2	23700 [6.9]	10900 [3.2]				1200 [566]	72	
RGPE-07?AMK?		1	17900 [5.2]	9700 [2.8]	34000 [10.0]	14.5	11.5	725 [342]	71	
		2	22300 [6.5]	11700 [3.4]				1000 [472]	72	
RGRM-04?MAE?		1	18000 [5.3]	9600 [2.8]	34000 [10.0]	14	11.5	750 [354]	71	
		2	22400 [6.6]	11600 [3.4]				1025 [484]	72	
RGRM-06?MAE?		1	18200 [5.3]	9600 [2.8]	33800 [9.9]	14	11.5	775 [366]	71	
		2	22100 [6.5]	11700 [3.4]				1000 [472]	72	
RGRM-07?MAE?		1	18300 [5.4]	9500 [2.8]	33800 [9.9]	14	11	800 [378]	71	
		2	22200 [6.5]	11600 [3.4]				1025 [484]	72	
RGTM-06?MAE?		1	19500 [5.7]	9100 [2.7]	34000 [10.0]	14	11.5	900 [425]	71	
		2	22400 [6.6]	11600 [3.4]				1025 [484]	72	
ROCA-070E03		1	18500 [5.4]	9500 [2.8]	34000 [10.0]	14.5	12	800 [378]	71	
		2	22300 [6.5]	11700 [3.4]				1000 [472]	72	
ROCA-070E04		1	18500 [5.4]	9500 [2.8]	34000 [10.0]	14.5	12	800 [378]	71	
		2	22300 [6.5]	11700 [3.4]				1000 [472]	72	
ROLA-070E03		1	19500 [5.7]	9100 [2.7]	34800 [10.2]	14.5	11.5	900 [425]	71	
		2	23800 [7.0]	11000 [3.2]				1175 [554]	72	
ROLA-070E04	1	19500 [5.7]	9100 [2.7]	34800 [10.2]	14.5	11.5	900 [425]	71		
	2	23800 [7.0]	11000 [3.2]				1175 [554]	72		
RCFL-H*3617+RXMD-C06	Coil Only	1	18900 [5.5]	9100 [2.7]	34200 [10.0]	13	11	925 [437]	71	
		2	23000 [6.7]	11200 [3.3]				1075 [507]	72	
038JEZ	RCFL-H*3621	RGFE-06?MCK?	1	18900 [5.5]	9300 [2.7]	34400 [10.1]	14	11	875 [413]	71
			2	23500 [6.9]	10900 [3.2]				1200 [566]	72
		RGFE-07?MCK?	1	18900 [5.5]	9300 [2.7]	34400 [10.1]	14	11	875 [413]	71
			2	23600 [6.9]	10800 [3.2]				1225 [578]	72
		RGFE-09?ZCM?	1	19100 [5.6]	9300 [2.7]	34800 [10.2]	14.5	11.5	875 [413]	71
			2	23900 [7.0]	10900 [3.2]				1200 [566]	72
		RGFE-10?ZCM?	1	19500 [5.7]	9100 [2.7]	34800 [10.2]	14.5	11.5	900 [425]	71
			2	24000 [7.0]	10800 [3.2]				1225 [578]	72
		RGFG-06?MCK?	1	18900 [5.5]	9300 [2.7]	34400 [10.1]	14	11	875 [413]	71
			2	23500 [6.9]	10900 [3.2]				1200 [566]	72
		RGFG-07?MCK?	1	18500 [5.4]	9500 [2.8]	33800 [9.9]	14.5	11.5	800 [378]	71
			2	22100 [6.5]	11700 [3.4]				1000 [472]	72
		RGFG-09?ZCM?	1	19100 [5.6]	9300 [2.7]	34800 [10.2]	14.5	11.5	875 [413]	71
			2	23900 [7.0]	10900 [3.2]				1200 [566]	72

① Highest sales volume tested combination required by D.O.E. test procedures.

[] Designates Metric Conversions

Performance Data @ AHRI Standard Conditions—Cooling

Outdoor Unit RARL-	Model Numbers		Stage	AHRI Cooling Performance 80°F [26.5°C] / 67°F [19.5°C] WB Indoor Air 95°F [35°C] DB Outdoor Air								
				Net Sensible BTU/H [kW]	Net Latent BTU/H [kW]	AHRI Ratings			Indoor Airflow CFM [L/s]	Sound Rating dB		
	ID Coil	ID Air Mover				Total Capacity BTU/H [kW]	SEER	EER				
Rev. 5/8/2012	RCFL-H*3621	ROCA-070E03	1	18500 [5.4]	9500 [2.8]	34200 [10.0]	14.5	12	800 [378]	71		
			2	22500 [6.6]	11700 [3.4]				1000 [472]	72		
		ROCA-070E04	1	18500 [5.4]	9500 [2.8]	34200 [10.0]	14.5	12	800 [378]	71		
			2	22500 [6.6]	11700 [3.4]				1000 [472]	72		
		ROLA-070E03	1	19500 [5.7]	9100 [2.7]	34800 [10.2]	14.5	11.5	900 [425]	71		
			2	23800 [7.0]	11000 [3.2]				1175 [554]	72		
		ROLA-070E04	1	19500 [5.7]	9100 [2.7]	34800 [10.2]	14.5	11.5	900 [425]	71		
			2	23800 [7.0]	11000 [3.2]				1175 [554]	72		
		ROLA-115E05	1	19500 [5.7]	9100 [2.7]	35000 [10.3]	14.5	12	900 [425]	71		
			2	24100 [7.1]	10900 [3.2]				1200 [566]	72		
		RCFL-H*3621+RXMD-C06	Coil Only	1	18900 [5.5]	9100 [2.7]	34200 [10.0]	13	11	925 [437]	71	
				2	23000 [6.7]	11200 [3.3]				1125 [531]	72	
		038JEZ	RCFL-H*3821	RGFE-06?MCK?	1	17800 [5.2]	10000 [2.9]	34600 [10.1]	14.5	12	725 [342]	71
					2	22700 [6.7]	11900 [3.5]				1000 [472]	72
RGFE-07?MCK?	1			17800 [5.2]	10000 [2.9]	34600 [10.1]	14.5	12	725 [342]	71		
	2			22800 [6.7]	11800 [3.5]				1025 [484]	72		
RGFE-09?ZCM?	1			19000 [5.6]	9600 [2.8]	35400 [10.4]	15	12	875 [413]	71		
	2			24300 [7.1]	11100 [3.3]				1200 [566]	72		
RGFE-10?ZCM?	1			19600 [5.7]	9400 [2.8]	35600 [10.4]	15	12	900 [425]	71		
	2			24600 [7.2]	11000 [3.2]				1225 [578]	72		
RGFG-06?MCK?	1			17800 [5.2]	10000 [2.9]	34600 [10.1]	14.5	12	725 [342]	71		
	2			22700 [6.7]	11900 [3.5]				1000 [472]	72		
RGFG-07?MCK?	1			18400 [5.4]	9800 [2.9]	34400 [10.1]	14.5	12	800 [378]	71		
	2			22500 [6.6]	11900 [3.5]				1000 [472]	72		
RGFG-09?ZCM?	1			19000 [5.6]	9600 [2.8]	35400 [10.4]	15	12	875 [413]	71		
	2			24300 [7.1]	11100 [3.3]				1200 [566]	72		
RGFG-10?ZCM?	1			19600 [5.7]	9400 [2.8]	35400 [10.4]	15	12	900 [425]	71		
	2			24300 [7.1]	11100 [3.3]				1200 [566]	72		
RGGE-06?MCK?	1			17800 [5.2]	10000 [2.9]	34800 [10.2]	14.5	12	725 [342]	71		
	2			23000 [6.7]	11800 [3.5]				1025 [484]	72		
RGGE-07?MCK?	1			18100 [5.3]	9900 [2.9]	34600 [10.1]	14.5	12	750 [354]	71		
	2			22800 [6.7]	11800 [3.5]				1025 [484]	72		
RGGE-09?ZCM?	1			19000 [5.6]	9600 [2.8]	35600 [10.4]	15	12	875 [413]	71		
	2			24600 [7.2]	11000 [3.2]				1225 [578]	72		
RGGE-10?ZCM?	1			19000 [5.6]	9600 [2.8]	35400 [10.4]	14.5	12	875 [413]	71		
	2			24300 [7.1]	11100 [3.3]				1200 [566]	72		
RGJF-06?MCK?	1			17800 [5.2]	10000 [2.9]	34800 [10.2]	14.5	12	725 [342]	71		
	2			23000 [6.7]	11800 [3.5]				1025 [484]	72		
RGJF-07?MCK?	1			18100 [5.3]	9900 [2.9]	34600 [10.1]	14.5	12	750 [354]	71		
	2			22800 [6.7]	11800 [3.5]				1025 [484]	72		
RGJF-09?ZCM?	1			19000 [5.6]	9600 [2.8]	35800 [10.5]	15	12	875 [413]	71		
	2			24800 [7.3]	11000 [3.2]				1225 [578]	72		
RGJF-10?ZCM?	1			19000 [5.6]	9600 [2.8]	35600 [10.4]	14.5	12	875 [413]	71		
	2			24500 [7.2]	11100 [3.3]				1200 [566]	72		
RGLE-07?AMK?	1			18100 [5.3]	9900 [2.9]	34800 [10.2]	15	12	750 [354]	71		
	2			23000 [6.7]	11800 [3.5]				1025 [484]	72		

① Highest sales volume tested combination required by D.O.E. test procedures.

[] Designates Metric Conversions

Performance Data @ AHRI Standard Conditions—Cooling

Outdoor Unit RARL-	Model Numbers		Stage	AHRI Cooling Performance 80°F [26.5°C] / 67°F [19.5°C] WB Indoor Air 95°F [35°C] DB Outdoor Air						
				Net Sensible BTU/H [kW]	Net Latent BTU/H [kW]	AHRI Ratings			Indoor Airflow CFM [L/s]	Sound Rating dB
	ID Coil	ID Air Mover				Total Capacity BTU/H [kW]	SEER	EER		
Rev. 5/8/2012		RGFE-12?RCM?	1	19200 [5.6]	9600 [2.8]	35800 [10.5]	15	12	875 [413]	71
			2	24800 [7.3]	11000 [3.2]				1225 [578]	72
		RGFG-09?ZCM?	1	19000 [5.6]	9600 [2.8]	35400 [10.4]	14.5	12	875 [413]	71
			2	24300 [7.1]	11100 [3.3]				1200 [566]	72
		RGFG-10?ZCM?	1	19600 [5.7]	9400 [2.8]	35400 [10.4]	15	12	900 [425]	71
			2	24300 [7.1]	11100 [3.3]				1200 [566]	72
		RGFG-12?RCM?	1	19200 [5.6]	9600 [2.8]	35800 [10.5]	15	12	875 [413]	71
			2	24800 [7.3]	11000 [3.2]				1225 [578]	72
		RGGE-09?ZCM?	1	19000 [5.6]	9600 [2.8]	35600 [10.4]	15	12	875 [413]	71
			2	24600 [7.2]	11000 [3.2]				1225 [578]	72
		RGGE-10?ZCM?	1	19000 [5.6]	9600 [2.8]	35400 [10.4]	14.5	12	875 [413]	71
			2	24300 [7.1]	11100 [3.3]				1200 [566]	72
		RGGE-12?RCM?	1	19200 [5.6]	9600 [2.8]	35800 [10.5]	15.1	12.5	875 [413]	71
			2	24700 [7.2]	11100 [3.3]				1200 [566]	72
		RGJF-09?ZCM?	1	19000 [5.6]	9600 [2.8]	35800 [10.5]	15	12	875 [413]	71
			2	24800 [7.3]	11000 [3.2]				1225 [578]	72
		RGJF-10?ZCM?	1	19000 [5.6]	9600 [2.8]	35600 [10.4]	14.5	12	875 [413]	71
			2	24500 [7.2]	11100 [3.3]				1200 [566]	72
		RGJF-12?RCM?	1	19200 [5.6]	9600 [2.8]	35800 [10.5]	15.1	12.5	875 [413]	71
			2	24700 [7.2]	11100 [3.3]				1200 [566]	72
		RGLE-07?BRQ?	1	18400 [5.4]	9800 [2.9]	35000 [10.3]	15.1	12.5	775 [366]	71
			2	23200 [6.8]	11800 [3.5]				1025 [484]	72
038JEZ	RCFL-H*3824	RGLE-10?BRM?	1	19200 [5.6]	9600 [2.8]	35800 [10.5]	15.1	12.5	875 [413]	71
			2	24700 [7.2]	11100 [3.3]				1200 [566]	72
		RGLE-12?ARM?	1	19600 [5.7]	9400 [2.8]	36000 [10.5]	15.1	12.5	925 [437]	71
			2	25000 [7.3]	11000 [3.2]				1225 [578]	72
		RGPE-07?BRQ?	1	19600 [5.7]	9400 [2.8]	35800 [10.5]	15.1	12.5	900 [425]	71
			2	24800 [7.3]	11000 [3.2]				1225 [578]	72
		RGPE-10?BRM?	1	19600 [5.7]	9400 [2.8]	35800 [10.5]	15.1	12.5	900 [425]	71
			2	24800 [7.3]	11000 [3.2]				1225 [578]	72
		RGPE-12?ARM?	1	19200 [5.6]	9600 [2.8]	35800 [10.5]	15.1	12.5	875 [413]	71
			2	24700 [7.2]	11100 [3.3]				1200 [566]	72
		RGRM-07?YBG?	1	18800 [5.5]	9600 [2.8]	34800 [10.2]	14	11	850 [401]	71
			2	23700 [6.9]	11100 [3.3]				1200 [566]	72
		RGRM-09?ZAJ?	1	19400 [5.7]	9400 [2.8]	35400 [10.4]	14.5	11.5	950 [448]	71
			2	24400 [7.1]	11000 [3.2]				1225 [578]	72
		RGRM-10?ZAJ?	1	19000 [5.6]	9600 [2.8]	35000 [10.3]	14.5	12	875 [413]	71
			2	23600 [6.9]	11400 [3.3]				1150 [543]	72
		RGRM-12?RAJ?	1	19600 [5.7]	9400 [2.8]	35600 [10.4]	15	12	925 [437]	71
			2	24600 [7.2]	11000 [3.2]				1225 [578]	72
		RGTM-07?RBG?	1	18600 [5.4]	9800 [2.9]	35000 [10.3]	15	12.5	800 [378]	71
			2	23300 [6.8]	11700 [3.4]				1050 [495]	72
		RGTM-09?ZAJ?	1	19900 [5.8]	9300 [2.7]	35600 [10.4]	15	12	975 [460]	71
			2	24600 [7.2]	11000 [3.2]				1225 [578]	72
		RGTM-10?RBJ?	1	19900 [5.8]	9300 [2.7]	35800 [10.5]	15	12	975 [460]	71
			2	24800 [7.3]	11000 [3.2]				1225 [578]	72

① Highest sales volume tested combination required by D.O.E. test procedures.

[] Designates Metric Conversions



Performance Data @ AHRI Standard Conditions—Cooling

Outdoor Unit RARL-	Model Numbers		Stage	AHRI Cooling Performance 80°F [26.5°C] / 67°F [19.5°C] WB Indoor Air 95°F [35°C] DB Outdoor Air						
				Net Sensible BTU/H [kW]	Net Latent BTU/H [kW]	AHRI Ratings			Indoor Airflow CFM [L/s]	Sound Rating dB
	ID Coil	ID Air Mover				Total Capacity BTU/H [kW]	SEER	EER		
Rev. 5/8/2012	RCFL-H*3824	ROCA-070E03	1	18400 [5.4]	9800 [2.9]	34600 [10.1]	15	12	800 [378]	71
			2	22700 [6.7]	11900 [3.5]				1000 [472]	72
ROCA-070E04		1	18400 [5.4]	9800 [2.9]	34600 [10.1]	15	12	800 [378]	71	
		2	22700 [6.7]	11900 [3.5]				1000 [472]	72	
ROLA-070E03		1	19600 [5.7]	9400 [2.8]	35400 [10.4]	15	12	900 [425]	71	
		2	24200 [7.1]	11200 [3.3]				1175 [554]	72	
ROLA-070E04		1	19600 [5.7]	9400 [2.8]	35400 [10.4]	15	12	900 [425]	71	
		2	24200 [7.1]	11200 [3.3]				1175 [554]	72	
ROLA-115E05		1	19600 [5.7]	9400 [2.8]	35600 [10.4]	15	12	900 [425]	71	
		2	24500 [7.2]	11100 [3.3]				1200 [566]	72	
RCFL-H*3824+RXMD-C06		Coil Only	1	18800 [5.5]	9400 [2.8]	34800 [10.2]	13	11.5	925 [437]	71
			2	23400 [6.9]	11400 [3.3]				1125 [531]	72
038JEZ	RCFN-H*3624	RGFE-06?MCK?	1	20300 [5.9]	9300 [2.7]	37200 [10.9]	16	12.5	725 [342]	71
			2	26100 [7.6]	11100 [3.3]				1000 [472]	72
		RGFE-07?MCK?	1	20300 [5.9]	9300 [2.7]	37200 [10.9]	16	12.5	725 [342]	71
			2	26200 [7.7]	11000 [3.2]				1025 [484]	72
		RGFE-09?ZCM?	1	21800 [6.4]	8800 [2.6]	38000 [11.1]	16	12.5	875 [413]	71
			2	27800 [8.1]	10200 [3.0]				1200 [566]	72
		RGFE-10?ZCM?	1	22200 [6.5]	8600 [2.5]	38500 [11.3]	16	12.5	900 [425]	71
			2	28400 [8.3]	10100 [3.0]				1225 [578]	72
		RGFE-12?RCM?	1	21800 [6.4]	8800 [2.6]	38500 [11.3]	16.5	13	875 [413]	71
			2	28400 [8.3]	10100 [3.0]				1225 [578]	72
		RGFG-06?MCK?	1	20300 [5.9]	9300 [2.7]	37200 [10.9]	16	12.5	725 [342]	71
			2	26100 [7.6]	11100 [3.3]				1000 [472]	72
		RGFG-07?MCK?	1	20900 [6.1]	9100 [2.7]	37000 [10.8]	16	12.5	800 [378]	71
			2	25900 [7.6]	11100 [3.3]				1000 [472]	72
		RGFG-09?ZCM?	1	21800 [6.4]	8800 [2.6]	38000 [11.1]	16	12.5	875 [413]	71
			2	27800 [8.1]	10200 [3.0]				1200 [566]	72
		RGFG-10?ZCM?	1	22200 [6.5]	8600 [2.5]	38000 [11.1]	16	12.5	900 [425]	71
			2	27800 [8.1]	10200 [3.0]				1200 [566]	72
		RGFG-12?RCM?	1	21800 [6.4]	8800 [2.6]	38500 [11.3]	16.5	13	875 [413]	71
			2	28400 [8.3]	10100 [3.0]				1225 [578]	72
		RGGE-06?MCK?	1	20500 [6.0]	9300 [2.7]	37400 [11.0]	16	13	725 [342]	71
			2	26400 [7.7]	11000 [3.2]				1025 [484]	72
		RGGE-07?MCK?	1	20600 [6.0]	9200 [2.7]	37400 [11.0]	16	12.5	750 [354]	71
			2	26400 [7.7]	11000 [3.2]				1025 [484]	72
		RGGE-09?ZCM?	1	21800 [6.4]	8800 [2.6]	38500 [11.3]	16	13	875 [413]	71
			2	28400 [8.3]	10100 [3.0]				1225 [578]	72
		RGGE-10?ZCM?	1	21800 [6.4]	8800 [2.6]	38000 [11.1]	16	13	875 [413]	71
			2	27800 [8.1]	10200 [3.0]				1200 [566]	72
		RGGE-12?RCM?	1	21800 [6.4]	8800 [2.6]	38500 [11.3]	16.5	13	875 [413]	71
			2	28300 [8.3]	10200 [3.0]				1200 [566]	72
		RGJF-06?MCK?	1	20500 [6.0]	9300 [2.7]	37400 [11.0]	16	13	725 [342]	71
			2	26400 [7.7]	11000 [3.2]				1025 [484]	72
		RGJF-07?MCK?	1	20600 [6.0]	9200 [2.7]	37400 [11.0]	16	12.5	750 [354]	71
			2	26400 [7.7]	11000 [3.2]				1025 [484]	72

① Highest sales volume tested combination required by D.O.E. test procedures.

[] Designates Metric Conversions

Performance Data @ AHRI Standard Conditions—Cooling

Outdoor Unit RARL-	Model Numbers		Stage	AHRI Cooling Performance 80°F [26.5°C] / 67°F [19.5°C] WB Indoor Air 95°F [35°C] DB Outdoor Air						
				Net Sensible BTU/H [kW]	Net Latent BTU/H [kW]	AHRI Ratings			Indoor Airflow CFM [L/s]	Sound Rating dB
	ID Coil	ID Air Mover				Total Capacity BTU/H [kW]	SEER	EER		
Rev. 5/8/2012		RGJF-09?ZCM?	1	21800 [6.4]	8800 [2.6]	38500 [11.3]	16	13	875 [413]	71
			2	28400 [8.3]	10100 [3.0]				1225 [578]	72
		RGJF-10?ZCM?	1	21800 [6.4]	8800 [2.6]	38000 [11.1]	16	13	875 [413]	71
			2	27800 [8.1]	10200 [3.0]				1200 [566]	72
		RGJF-12?RCM?	1	21800 [6.4]	8800 [2.6]	38500 [11.3]	16.5	13	875 [413]	71
			2	28300 [8.3]	10200 [3.0]				1200 [566]	72
		RGLE-07?AMK?	1	20600 [6.0]	9200 [2.7]	37400 [11.0]	16	13	750 [354]	71
			2	26400 [7.7]	11000 [3.2]				1025 [484]	72
		RGLE-07?BRQ?	1	22200 [6.5]	8600 [2.5]	38500 [11.3]	16.5	13	925 [437]	71
			2	28400 [8.3]	10100 [3.0]				1225 [578]	72
		RGLE-10?BRM?	1	21800 [6.4]	8800 [2.6]	38500 [11.3]	16.5	13	875 [413]	71
			2	28300 [8.3]	10200 [3.0]				1200 [566]	72
		RGLE-12?ARM?	1	22400 [6.6]	8600 [2.5]	38500 [11.3]	16.5	13	925 [437]	71
			2	28400 [8.3]	10100 [3.0]				1225 [578]	72
		RGPE-05?BMK?	1	22200 [6.5]	8600 [2.5]	38000 [11.1]	16	12.5	900 [425]	71
			2	27800 [8.1]	10200 [3.0]				1200 [566]	72
		RGPE-07?AMK?	1	20500 [6.0]	9300 [2.7]	37400 [11.0]	16	13	725 [342]	71
			2	26300 [7.7]	11100 [3.3]				1000 [472]	72
		RGPE-07?BRQ?	1	22400 [6.6]	8600 [2.5]	38500 [11.3]	16.5	13	900 [425]	71
			2	28400 [8.3]	10100 [3.0]				1225 [578]	72
		RGPE-10?BRM?	1	22400 [6.6]	8600 [2.5]	38500 [11.3]	16.5	13	900 [425]	71
			2	28400 [8.3]	10100 [3.0]				1225 [578]	72
038JEZ	RCFN-H*3624	RGPE-12?ARM?	1	21800 [6.4]	8800 [2.6]	38500 [11.3]	16.5	13	875 [413]	71
			2	28300 [8.3]	10200 [3.0]				1200 [566]	72
		RGRM-04?MAE?	1	20600 [6.0]	9200 [2.7]	37200 [10.9]	16	12.5	750 [354]	71
			2	26200 [7.7]	11000 [3.2]				1025 [484]	72
		RGRM-06?MAE?	1	20900 [6.1]	9100 [2.7]	37000 [10.8]	16	12.5	775 [366]	71
			2	25900 [7.6]	11100 [3.3]				1000 [472]	72
		RGRM-07?MAE?	1	20900 [6.1]	9100 [2.7]	37000 [10.8]	15.5	12	800 [378]	71
			2	26000 [7.6]	11000 [3.2]				1025 [484]	72
		RGRM-07?YBG?	1	21300 [6.2]	8900 [2.6]	37600 [11.0]	15.5	12	850 [401]	71
			2	27400 [8.0]	10200 [3.0]				1200 [566]	72
		RGRM-09?ZAJ?	1	22200 [6.5]	8600 [2.5]	38000 [11.1]	16	12.5	950 [448]	71
			2	27900 [8.2]	10100 [3.0]				1225 [578]	72
		RGRM-10?ZAJ?	1	21800 [6.4]	8800 [2.6]	37800 [11.1]	16	12.5	875 [413]	71
			2	27300 [8.0]	10500 [3.1]				1150 [543]	72
		RGRM-12?RAJ?	1	22200 [6.5]	8600 [2.5]	38500 [11.3]	16	13	925 [437]	71
			2	28400 [8.3]	10100 [3.0]				1225 [578]	72
		RGTM-06?MAE?	1	22200 [6.5]	8600 [2.5]	37400 [11.0]	16	12.5	900 [425]	71
			2	26400 [7.7]	11000 [3.2]				1025 [484]	72
		RGTM-07?RBG?	1	22200 [6.5]	8600 [2.5]	38500 [11.3]	16	13	950 [448]	71
			2	28700 [8.4]	9800 [2.9]				1275 [602]	72
		RGTM-09?ZAJ?	1	22500 [6.6]	8500 [2.5]	38500 [11.3]	16	13	975 [460]	71
			2	28400 [8.3]	10100 [3.0]				1225 [578]	72
		RGTM-10?RBJ?	1	22700 [6.7]	8500 [2.5]	38500 [11.3]	16	13	975 [460]	71
			2	28400 [8.3]	10100 [3.0]				1225 [578]	72

① Highest sales volume tested combination required by D.O.E. test procedures.

[] Designates Metric Conversions

Performance Data @ AHRI Standard Conditions—Cooling

Outdoor Unit RARL-	Model Numbers		Stage	AHRI Cooling Performance 80°F [26.5°C] / 67°F [19.5°C] WB Indoor Air 95°F [35°C] DB Outdoor Air						
				Net Sensible BTU/H [kW]	Net Latent BTU/H [kW]	AHRI Ratings			Indoor Airflow CFM [L/s]	Sound Rating dB
	ID Coil	ID Air Mover				Total Capacity BTU/H [kW]	SEER	EER		
Rev. 5/8/2012	RCFN-H*3624	ROCA-070E03	1	21100 [6.2]	9100 [2.7]	37400 [11.0]	16	13	800 [378]	71
			2	26300 [7.7]	11100 [3.3]				1000 [472]	72
ROCA-070E04		1	21100 [6.2]	9100 [2.7]	37400 [11.0]	16	13	800 [378]	71	
		2	26300 [7.7]	11100 [3.3]				1000 [472]	72	
ROLA-070E03		1	22200 [6.5]	8600 [2.5]	38000 [11.1]	16	13	900 [425]	71	
		2	27700 [8.1]	10300 [3.0]				1175 [554]	72	
ROLA-070E04		1	22200 [6.5]	8600 [2.5]	38000 [11.1]	16	13	900 [425]	71	
		2	27700 [8.1]	10300 [3.0]				1175 [554]	72	
ROLA-115E05		1	22200 [6.5]	8600 [2.5]	38500 [11.3]	16.5	13	900 [425]	71	
		2	28300 [8.3]	10200 [3.0]				1200 [566]	72	
RCFN-H*3624+RXMD-C06		Coil Only	1	21400 [6.3]	8600 [2.5]	37400 [11.0]	14	12	925 [437]	71
			2	26900 [7.9]	10500 [3.1]				1125 [531]	72
038JEZ	RCQD-3621	RGFE-06?MCK?	1	19900 [5.8]	9100 [2.7]	36600 [10.7]	15.5	12.5	725 [342]	71
			2	25600 [7.5]	11000 [3.2]				1000 [472]	72
		RGFE-07?MCK?	1	19900 [5.8]	9100 [2.7]	36600 [10.7]	15.5	12.5	725 [342]	71
			2	25700 [7.5]	10900 [3.2]				1025 [484]	72
		RGFE-09?ZCM?	1	21200 [6.2]	8600 [2.5]	37600 [11.0]	15.5	12.5	875 [413]	71
			2	27500 [8.1]	10100 [3.0]				1200 [566]	72
		RGFE-10?ZCM?	1	21800 [6.4]	8400 [2.5]	37600 [11.0]	15.5	12.5	900 [425]	71
			2	27600 [8.1]	10000 [2.9]				1225 [578]	72
		RGFG-06?MCK?	1	19900 [5.8]	9100 [2.7]	36600 [10.7]	15.5	12.5	725 [342]	71
			2	25600 [7.5]	11000 [3.2]				1000 [472]	72
		RGFG-07?MCK?	1	20500 [6.0]	8900 [2.6]	36400 [10.7]	15.5	12.5	800 [378]	71
			2	25400 [7.4]	11000 [3.2]				1000 [472]	72
		RGFG-09?ZCM?	1	21200 [6.2]	8600 [2.5]	37600 [11.0]	15.5	12.5	875 [413]	71
			2	27500 [8.1]	10100 [3.0]				1200 [566]	72
		RGFG-10?ZCM?	1	21800 [6.4]	8400 [2.5]	37600 [11.0]	15.5	12.5	900 [425]	71
			2	27500 [8.1]	10100 [3.0]				1200 [566]	72
		RGJF-06?MCK?	1	21600 [6.3]	8400 [2.5]	37400 [11.0]	15.5	12.5	925 [437]	71
			2	27300 [8.0]	10100 [3.0]				1200 [566]	72
		RGJF-07?MCK?	1	20200 [5.9]	9000 [2.6]	36600 [10.7]	15.5	12.5	750 [354]	71
			2	25700 [7.5]	10900 [3.2]				1025 [484]	72
		RGJF-09?ZCM?	1	21200 [6.2]	8600 [2.5]	37800 [11.1]	15.5	12.5	875 [413]	71
			2	27800 [8.1]	10000 [2.9]				1225 [578]	72
		RGJF-10?ZCM?	1	21200 [6.2]	8600 [2.5]	37600 [11.0]	15.5	12.5	875 [413]	71
			2	27500 [8.1]	10100 [3.0]				1200 [566]	72
		RGPE-05?BMK?	1	21600 [6.3]	8400 [2.5]	37400 [11.0]	15.5	12	900 [425]	71
			2	27300 [8.0]	10100 [3.0]				1200 [566]	72
		RGPE-07?AMK?	1	21800 [6.4]	8400 [2.5]	37600 [11.0]	15.5	12.5	900 [425]	71
			2	27600 [8.1]	10000 [2.9]				1225 [578]	72
		RGPE-07?BRQ?	1	21800 [6.4]	8400 [2.5]	38000 [11.1]	16	13	900 [425]	71
			2	28000 [8.2]	10000 [2.9]				1225 [578]	72
		RGPE-10?BRM?	1	21800 [6.4]	8400 [2.5]	38000 [11.1]	16	13	900 [425]	71
			2	28000 [8.2]	10000 [2.9]				1225 [578]	72
		RGRM-04?MAE?	1	20200 [5.9]	9000 [2.6]	36600 [10.7]	15.5	12.5	750 [354]	71
			2	25700 [7.5]	10900 [3.2]				1025 [484]	72

① Highest sales volume tested combination required by D.O.E. test procedures.

[] Designates Metric Conversions

Performance Data @ AHRI Standard Conditions—Cooling

Outdoor Unit RARL-	Model Numbers		Stage	AHRI Cooling Performance 80°F [26.5°C] / 67°F [19.5°C] WB Indoor Air 95°F [35°C] DB Outdoor Air						
				Net Sensible BTU/H [kW]	Net Latent BTU/H [kW]	AHRI Ratings			Indoor Airflow CFM [L/s]	Sound Rating dB
	ID Coil	ID Air Mover				Total Capacity BTU/H [kW]	SEER	EER		
Rev. 5/8/2012	RCQD-3621	RGRM-06?MAE?	1	20500 [6.0]	8900 [2.6]	36400 [10.7]	15.5	12.5	775 [366]	71
			2	25400 [7.4]	11000 [3.2]				1000 [472]	72
RGRM-07?MAE?		1	20500 [6.0]	8900 [2.6]	36400 [10.7]	15	12	800 [378]	71	
		2	25500 [7.5]	10900 [3.2]				1025 [484]	72	
RGRM-07?YBG?		1	20900 [6.1]	8700 [2.5]	37000 [10.8]	15	11.5	850 [401]	71	
		2	26900 [7.9]	10100 [3.0]				1200 [566]	72	
RGRM-09?ZAJ?		1	21600 [6.3]	8400 [2.5]	37600 [11.0]	15.5	12.5	950 [448]	71	
		2	27600 [8.1]	10000 [2.9]				1225 [578]	72	
RGRM-10?ZAJ?		1	21200 [6.2]	8600 [2.5]	37000 [10.8]	15.5	12.5	875 [413]	71	
		2	26600 [7.8]	10400 [3.0]				1150 [543]	72	
RGTM-06?MAE?		1	21600 [6.3]	8400 [2.5]	36600 [10.7]	15.5	12.5	900 [425]	71	
		2	25700 [7.5]	10900 [3.2]				1025 [484]	72	
RGTM-07?RBG?		1	20500 [6.0]	8900 [2.6]	37000 [10.8]	15.5	13	800 [378]	71	
		2	26200 [7.7]	10800 [3.2]				1050 [495]	72	
RGTM-09?ZAJ?		1	22100 [6.5]	8300 [2.4]	37800 [11.1]	15.5	12.5	975 [460]	71	
		2	27800 [8.1]	10000 [2.9]				1225 [578]	72	
ROCA-070E03		1	20500 [6.0]	8900 [2.6]	36600 [10.7]	15.5	13	800 [378]	71	
		2	25600 [7.5]	11000 [3.2]				1000 [472]	72	
ROCA-070E04		1	20500 [6.0]	8900 [2.6]	36600 [10.7]	15.5	13	800 [378]	71	
		2	25600 [7.5]	11000 [3.2]				1000 [472]	72	
ROLA-070E03	1	21800 [6.4]	8400 [2.5]	37600 [11.0]	15.5	13	900 [425]	71		
	2	27400 [8.0]	10200 [3.0]				1175 [554]	72		
ROLA-070E04	1	21800 [6.4]	8400 [2.5]	37600 [11.0]	15.5	13	900 [425]	71		
	2	27400 [8.0]	10200 [3.0]				1175 [554]	72		
ROLA-115E05	1	21800 [6.4]	8400 [2.5]	37800 [11.1]	16	13	900 [425]	71		
	2	27700 [8.1]	10100 [3.0]				1200 [566]	72		
RCQD-3621+RXMD-C06	Coil Only	1	21000 [6.2]	8400 [2.5]	36800 [10.8]	14	12	925 [437]	71	
		2	26400 [7.7]	10400 [3.0]				1125 [531]	72	
038JEZ	RCQD-3624	RBHM-24J	1	21800 [6.4]	8400 [2.5]	37800 [11.1]	16	13	900 [425]	71
			2	27600 [8.1]	10200 [3.0]				1175 [554]	72
		RBHN-24J	1	21800 [6.4]	8400 [2.5]	38000 [11.1]	16.5	13	925 [437]	71
			2	27800 [8.1]	10200 [3.0]				1175 [554]	72
		RGFE-09?ZCM?	1	21200 [6.2]	8600 [2.5]	37600 [11.0]	15.5	12.5	875 [413]	71
			2	27500 [8.1]	10100 [3.0]				1200 [566]	72
		RGFE-10?ZCM?	1	21800 [6.4]	8400 [2.5]	37800 [11.1]	16	12.5	900 [425]	71
			2	27800 [8.1]	10000 [2.9]				1225 [578]	72
		RGFE-12?RCM?	1	21400 [6.3]	8600 [2.5]	37800 [11.1]	16	13	875 [413]	71
			2	27800 [8.1]	10000 [2.9]				1225 [578]	72
		RGFG-09?ZCM?	1	21200 [6.2]	8600 [2.5]	37600 [11.0]	15.5	12.5	875 [413]	71
			2	27500 [8.1]	10100 [3.0]				1200 [566]	72
		RGFG-10?ZCM?	1	21800 [6.4]	8400 [2.5]	37600 [11.0]	15.5	12.5	900 [425]	71
			2	27500 [8.1]	10100 [3.0]				1200 [566]	72
		RGFG-12?RCM?	1	21400 [6.3]	8600 [2.5]	37800 [11.1]	16	13	875 [413]	71
			2	27800 [8.1]	10000 [2.9]				1225 [578]	72
		RGJF-09?ZCM?	1	21200 [6.2]	8600 [2.5]	37800 [11.1]	15.5	13	875 [413]	71
			2	27800 [8.1]	10000 [2.9]				1225 [578]	72

① Highest sales volume tested combination required by D.O.E. test procedures.

[] Designates Metric Conversions

Performance Data @ AHRI Standard Conditions—Cooling

Outdoor Unit RARL-	Model Numbers		Stage	AHRI Cooling Performance 80°F [26.5°C] / 67°F [19.5°C] WB Indoor Air 95°F [35°C] DB Outdoor Air						
				Net Sensible BTU/H [kW]	Net Latent BTU/H [kW]	AHRI Ratings			Indoor Airflow CFM [L/s]	Sound Rating dB
	ID Coil	ID Air Mover				Total Capacity BTU/H [kW]	SEER	EER		
Rev. 5/8/2012	RCQD-3624	RGJF-10?ZCM?	1	21200 [6.2]	8600 [2.5]	37600 [11.0]	15.5	12.5	875 [413]	71
			2	27500 [8.1]	10100 [3.0]				1200 [566]	72
RGJF-12?RCM?		1	21400 [6.3]	8600 [2.5]	37800 [11.1]	16	13	875 [413]	71	
		2	27700 [8.1]	10100 [3.0]				1200 [566]	72	
RGPE-07?BRQ?		1	21800 [6.4]	8400 [2.5]	38000 [11.1]	16	13	900 [425]	71	
		2	28000 [8.2]	10000 [2.9]				1225 [578]	72	
RGPE-10?BRM?		1	21800 [6.4]	8400 [2.5]	38000 [11.1]	16	13	900 [425]	71	
		2	28000 [8.2]	10000 [2.9]				1225 [578]	72	
RGPE-12?ARM?		1	21400 [6.3]	8600 [2.5]	37800 [11.1]	16	13	875 [413]	71	
		2	27700 [8.1]	10100 [3.0]				1200 [566]	72	
RGRM-07?YBG?		1	20900 [6.1]	8700 [2.5]	37000 [10.8]	15	11.5	850 [401]	71	
		2	26900 [7.9]	10100 [3.0]				1200 [566]	72	
RGRM-09?ZAJ?		1	21600 [6.3]	8400 [2.5]	37600 [11.0]	15.5	12.5	950 [448]	71	
		2	27600 [8.1]	10000 [2.9]				1225 [578]	72	
RGRM-10?ZAJ?		1	21200 [6.2]	8600 [2.5]	37200 [10.9]	15.5	12.5	875 [413]	71	
		2	26800 [7.9]	10400 [3.0]				1150 [543]	72	
RGRM-12?RAJ?		1	21800 [6.4]	8400 [2.5]	37800 [11.1]	16	12.5	925 [437]	71	
		2	27800 [8.1]	10000 [2.9]				1225 [578]	72	
RGTM-07?RBG?		1	20500 [6.0]	8900 [2.6]	37000 [10.8]	15.5	13	800 [378]	71	
		2	26200 [7.7]	10800 [3.2]				1050 [495]	72	
RGTM-09?ZAJ?		1	22100 [6.5]	8300 [2.4]	37800 [11.1]	15.5	12.5	975 [460]	71	
		2	27800 [8.1]	10000 [2.9]				1225 [578]	72	
RGTM-10?RBJ?		1	22100 [6.5]	8300 [2.4]	38000 [11.1]	16	13	975 [460]	71	
		2	28000 [8.2]	10000 [2.9]				1225 [578]	72	
ROCA-070E03		1	20500 [6.0]	8900 [2.6]	36800 [10.8]	15.5	13	800 [378]	71	
		2	25800 [7.6]	11000 [3.2]				1000 [472]	72	
ROCA-070E04		1	20500 [6.0]	8900 [2.6]	36800 [10.8]	15.5	13	800 [378]	71	
		2	25800 [7.6]	11000 [3.2]				1000 [472]	72	
ROLA-070E03	1	21800 [6.4]	8400 [2.5]	37600 [11.0]	16	13	900 [425]	71		
	2	27400 [8.0]	10200 [3.0]				1175 [554]	72		
ROLA-070E04	1	21800 [6.4]	8400 [2.5]	37600 [11.0]	16	13	900 [425]	71		
	2	27400 [8.0]	10200 [3.0]				1175 [554]	72		
ROLA-115E05	1	21800 [6.4]	8400 [2.5]	37800 [11.1]	16	13	900 [425]	71		
	2	27700 [8.1]	10100 [3.0]				1200 [566]	72		
RCQD-3624+RXMD-C06	Coil Only	1	21000 [6.2]	8400 [2.5]	36800 [10.8]	14	12	925 [437]	71	
		2	26400 [7.7]	10400 [3.0]				1125 [531]	72	
RCSL-H*3621	RHPL-HM3621	1	19700 [5.8]	9100 [2.7]	35200 [10.3]	15	12	925 [437]	71	
		2	24400 [7.1]	10800 [3.2]				1225 [578]	72	
RCSL-H*3821	RHPL-HM3821	1	19600 [5.7]	9400 [2.8]	35400 [10.4]	15	12	950 [448]	71	
		2	24000 [7.0]	11400 [3.3]				1150 [543]	72	

① Highest sales volume tested combination required by D.O.E. test procedures.

[] Designates Metric Conversions

Performance Data @ AHRI Standard Conditions—Cooling

Outdoor Unit RARL-	Model Numbers		Stage	AHRI Cooling Performance 80°F [26.5°C] / 67°F [19.5°C] WB Indoor Air 95°F [35°C] DB Outdoor Air							
				Net Sensible BTU/H [kW]	Net Latent BTU/H [kW]	AHRI Ratings			Indoor Airflow CFM [L/s]	Sound Rating dB	
	ID Coil	ID Air Mover				Total Capacity BTU/H [kW]	SEER	EER			
Rev. 5/8/2012	RCSN-H*4824 ①	RHPN-HM4824	1	30400 [8.9]	12100 [3.5]	50000 [14.6]	16.5	13	1250 [590]	72	
			2	36700 [10.8]	13300 [3.9]				1600 [755]	72	
			1 - dehumid	26400 [7.7]	9800 [2.9]				1050 [495]		
			2 - dehumid	34300 [10.0]	14700 [4.3]				1350 [637]		
049JEZ	RCFL-H*4821	RGFE-09?ZCM?	1	23700 [6.9]	14300 [4.2]	44500 [13.0]	15	11	1025 [484]	72	
			2	28200 [8.3]	16300 [4.8]				1400 [661]	72	
		RGFE-10?ZCM?	1	23700 [6.9]	14300 [4.2]	44500 [13.0]	15	11	1025 [484]	72	
			2	28400 [8.3]	16100 [4.7]				1425 [672]	72	
		RGFG-09?ZCM?	1	23700 [6.9]	14300 [4.2]	44500 [13.0]	15	11	1025 [484]	72	
			2	28200 [8.3]	16300 [4.8]				1400 [661]	72	
		RGFG-10?ZCM?	1	23800 [7.0]	14200 [4.2]	44500 [13.0]	15	11	1050 [495]	72	
			2	28200 [8.3]	16300 [4.8]				1400 [661]	72	
		RGGE-09?ZCM?	1	23700 [6.9]	14300 [4.2]	44500 [13.0]	15	11.5	1025 [484]	72	
			2	28200 [8.3]	16300 [4.8]				1400 [661]	72	
		RGGE-10?ZCM?	1	23800 [7.0]	14200 [4.2]	44500 [13.0]	15	11.5	1050 [495]	72	
			2	28200 [8.3]	16300 [4.8]				1400 [661]	72	
		RGJF-09?ZCM?	1	23700 [6.9]	14300 [4.2]	44500 [13.0]	15	11.5	1025 [484]	72	
			2	28200 [8.3]	16300 [4.8]				1400 [661]	72	
		RGJF-10?ZCM?	1	23800 [7.0]	14200 [4.2]	44500 [13.0]	15	11.5	1050 [495]	72	
			2	28200 [8.3]	16300 [4.8]				1400 [661]	72	
		RGLE-07?BRQ?	1	23700 [6.9]	14300 [4.2]	45000 [13.2]	15.5	11.5	1025 [484]	72	
			2	28700 [8.4]	16300 [4.8]				1400 [661]	72	
		RGLE-10?BRM?	1	24300 [7.1]	14200 [4.2]	45000 [13.2]	15.5	12	1050 [495]	72	
			2	28700 [8.4]	16300 [4.8]				1400 [661]	72	
		RGPE-07?BRQ?	1	23800 [7.0]	14200 [4.2]	45000 [13.2]	15.5	11.5	1050 [495]	72	
			2	28700 [8.4]	16300 [4.8]				1400 [661]	72	
		RGPE-10?BRM?	1	25700 [7.5]	13300 [3.9]	45500 [13.3]	15.5	11.5	1225 [578]	72	
			2	30400 [8.9]	15100 [4.4]				1625 [767]	72	
		RGRM-07?YBG?	1	23600 [6.9]	14200 [4.2]	43500 [12.7]	14	10.5	1050 [495]	72	
			2	27200 [8.0]	16300 [4.8]				1400 [661]	72	
		RGRM-09?ZAJ?	1	23900 [7.0]	14100 [4.1]	44500 [13.0]	15	11	1075 [507]	72	
			2	28200 [8.3]	16300 [4.8]				1400 [661]	72	
		RGRM-10?ZAJ?	1	23700 [6.9]	14300 [4.2]	44500 [13.0]	15	11	1025 [484]	72	
			2	28400 [8.3]	16100 [4.7]				1425 [672]	72	
		RGTM-07?RBG?	1	24600 [7.2]	13900 [4.1]	45000 [13.2]	15	11.5	1125 [531]	72	
			2	29200 [8.6]	15800 [4.6]				1475 [696]	72	
		RGTM-09?ZAJ?	1	24500 [7.2]	14000 [4.1]	44500 [13.0]	15	11.5	1100 [519]	72	
			2	28200 [8.3]	16300 [4.8]				1400 [661]	72	
		ROCA-070E04	1	25000 [7.3]	13500 [4.0]	44500 [13.0]	14.5	11	1200 [566]	72	
			2	28200 [8.3]	16300 [4.8]				1400 [661]	72	
		ROLA-070E04	1	24800 [7.3]	13700 [4.0]	45000 [13.2]	15	11	1175 [554]	72	
			2	29900 [8.8]	15100 [4.4]				1600 [755]	72	
		ROLA-115E05	1	23800 [7.0]	14200 [4.2]	45000 [13.2]	15	11.5	1050 [495]	72	
			2	28700 [8.4]	16300 [4.8]				1400 [661]	72	
		RCFL-H*4821+RXMD-C06	Coil Only	1	25200 [7.4]	13300 [3.9]	45500 [13.3]	14	11	1250 [590]	72
				2	30400 [8.9]	15100 [4.4]				1475 [696]	72

① Highest sales volume tested combination required by D.O.E. test procedures.

[] Designates Metric Conversions

Performance Data @ AHRI Standard Conditions—Cooling

Outdoor Unit RARL-	Model Numbers		Stage	AHRI Cooling Performance 80°F [26.5°C] / 67°F [19.5°C] WB Indoor Air 95°F [35°C] DB Outdoor Air						
				Net Sensible BTU/H [kW]	Net Latent BTU/H [kW]	AHRI Ratings			Indoor Airflow CFM [L/s]	Sound Rating dB
	ID Coil	ID Air Mover				Total Capacity BTU/H [kW]	SEER	EER		
Rev. 5/8/2012	RCFL-H*4824	RGTM-09?ZAJ?	1	24500 [7.2]	14000 [4.1]	44500 [13.0]	15	11.5	1100 [519]	72
			2	28200 [8.3]	16300 [4.8]				1400 [661]	72
		RGTM-10?RBJ?	1	24600 [7.2]	13900 [4.1]	45000 [13.2]	15	11.5	1125 [531]	72
			2	28900 [8.5]	16100 [4.7]				1425 [672]	72
		ROCA-070E04	1	25000 [7.3]	13500 [4.0]	44500 [13.0]	14.5	11	1200 [566]	72
			2	28200 [8.3]	16300 [4.8]				1400 [661]	72
		ROLA-070E04	1	24800 [7.3]	13700 [4.0]	45000 [13.2]	15	11	1175 [554]	72
			2	29900 [8.8]	15100 [4.4]				1600 [755]	72
		ROLA-115E05	1	23800 [7.0]	14200 [4.2]	44500 [13.0]	15	11.5	1050 [495]	72
			2	28200 [8.3]	16300 [4.8]				1400 [661]	72
RCFL-H*4824+RXMD-C06	Coil Only	1	25200 [7.4]	13300 [3.9]	45500 [13.3]	14	11	1250 [590]	72	
		2	30400 [8.9]	15100 [4.4]				1425 [672]	72	
049JEZ	RCFN-H*4824	RGFE-09?ZCM?	1	27700 [8.1]	13300 [3.9]	48500 [14.2]	16.5	12	1025 [484]	72
			2	33900 [9.9]	14600 [4.3]				1400 [661]	72
		RGFE-10?ZCM?	1	27700 [8.1]	13300 [3.9]	48500 [14.2]	16.5	12	1025 [484]	72
			2	34000 [10.0]	14500 [4.2]				1425 [672]	72
		RGFE-12?RCM?	1	27700 [8.1]	13300 [3.9]	49000 [14.4]	16.5	12.5	1025 [484]	72
			2	34700 [10.2]	14300 [4.2]				1450 [684]	72
		RGFG-09?ZCM?	1	27700 [8.1]	13300 [3.9]	48500 [14.2]	16.5	12	1025 [484]	72
			2	33900 [9.9]	14600 [4.3]				1400 [661]	72
		RGFG-10?ZCM?	1	27800 [8.1]	13200 [3.9]	48500 [14.2]	16	12	1050 [495]	72
			2	33900 [9.9]	14600 [4.3]				1400 [661]	72
		RGFG-12?RCM?	1	27700 [8.1]	13300 [3.9]	49000 [14.4]	16.5	12.5	1025 [484]	72
			2	34700 [10.2]	14300 [4.2]				1450 [684]	72
		RGGE-09?ZCM?	1	27700 [8.1]	13300 [3.9]	48500 [14.2]	16.5	12.5	1025 [484]	72
			2	33900 [9.9]	14600 [4.3]				1400 [661]	72
		RGGE-10?ZCM?	1	27800 [8.1]	13200 [3.9]	48500 [14.2]	16.5	12	1050 [495]	72
			2	33900 [9.9]	14600 [4.3]				1400 [661]	72
		RGGE-12?RCM?	1	29600 [8.7]	12400 [3.6]	49500 [14.5]	16.5	12.5	1200 [566]	72
			2	36200 [10.6]	13300 [3.9]				1575 [743]	72
		RGJF-09?ZCM?	1	27700 [8.1]	13300 [3.9]	48500 [14.2]	16.5	12.5	1025 [484]	72
			2	33900 [9.9]	14600 [4.3]				1400 [661]	72
		RGJF-10?ZCM?	1	27800 [8.1]	13200 [3.9]	48500 [14.2]	16.5	12	1050 [495]	72
			2	33900 [9.9]	14600 [4.3]				1400 [661]	72
		RGJF-12?RCM?	1	29600 [8.7]	12400 [3.6]	49500 [14.5]	16.5	12.5	1200 [566]	72
			2	36200 [10.6]	13300 [3.9]				1575 [743]	72
		RGLE-07?BRQ?	1	27700 [8.1]	13300 [3.9]	49000 [14.4]	16.5	12.5	1025 [484]	72
			2	34400 [10.1]	14600 [4.3]				1400 [661]	72
		RGLE-10?BRM?	1	27800 [8.1]	13200 [3.9]	49000 [14.4]	16.5	12.5	1050 [495]	72
			2	34400 [10.1]	14600 [4.3]				1400 [661]	72
		RGLE-12?ARM?	1	28500 [8.4]	13000 [3.8]	49000 [14.4]	16.5	12.5	1075 [507]	72
			2	34500 [10.1]	14500 [4.2]				1425 [672]	72
		RGPE-07?BRQ?	1	27800 [8.1]	13200 [3.9]	49000 [14.4]	16.5	12.5	1050 [495]	72
			2	34400 [10.1]	14600 [4.3]				1400 [661]	72
		RGPE-10?BRM?	1	28500 [8.4]	13000 [3.8]	49000 [14.4]	16.5	12.5	1075 [507]	72
			2	34400 [10.1]	14600 [4.3]				1400 [661]	72

① Highest sales volume tested combination required by D.O.E. test procedures.

[] Designates Metric Conversions

Performance Data @ AHRI Standard Conditions—Cooling

Outdoor Unit RARL-	Model Numbers		Stage	AHRI Cooling Performance 80°F [26.5°C] / 67°F [19.5°C] WB Indoor Air 95°F [35°C] DB Outdoor Air						
				Net Sensible BTU/H [kW]	Net Latent BTU/H [kW]	AHRI Ratings			Indoor Airflow CFM [L/s]	Sound Rating dB
	ID Coil	ID Air Mover				Total Capacity BTU/H [kW]	SEER	EER		
Rev. 5/8/2012	RCFN-H*4824	RGPE-12?ARM?	1	28500 [8.4]	13000 [3.8]	49000 [14.4]	16.5	12.5	1075 [507]	72
			2	34500 [10.1]	14500 [4.2]				1425 [672]	72
RGRM-09?ZAJ?		1	28000 [8.2]	13000 [3.8]	49000 [14.4]	16	12	1075 [507]	72	
		2	34400 [10.1]	14600 [4.3]				1400 [661]	72	
RGRM-10?ZAJ?		1	27700 [8.1]	13300 [3.9]	48500 [14.2]	16	12	1025 [484]	72	
		2	34000 [10.0]	14500 [4.2]				1425 [672]	72	
RGRM-12?RAJ?		1	28000 [8.2]	13000 [3.8]	48500 [14.2]	16.5	12.5	1075 [507]	72	
		2	34000 [10.0]	14500 [4.2]				1425 [672]	72	
RGTM-07?RBG?		1	28700 [8.4]	12800 [3.8]	48500 [14.2]	16.5	12.5	1125 [531]	72	
		2	34400 [10.1]	14100 [4.1]				1475 [696]	72	
RGTM-09?ZAJ?		1	28600 [8.4]	12900 [3.8]	48500 [14.2]	16.5	12.5	1100 [519]	72	
		2	33900 [9.9]	14600 [4.3]				1400 [661]	72	
RGTM-10?RBJ?		1	28700 [8.4]	12800 [3.8]	49000 [14.4]	16.5	12.5	1125 [531]	72	
		2	34500 [10.1]	14500 [4.2]				1425 [672]	72	
ROCA-070E04		1	29100 [8.5]	12400 [3.6]	48500 [14.2]	16	12	1200 [566]	72	
		2	33900 [9.9]	14600 [4.3]				1400 [661]	72	
ROLA-070E04		1	29000 [8.5]	12500 [3.7]	49000 [14.4]	16	12	1175 [554]	72	
		2	35700 [10.5]	13300 [3.9]				1600 [755]	72	
ROLA-115E05		1	27800 [8.1]	13200 [3.9]	48500 [14.2]	16.5	12.5	1050 [495]	72	
		2	33900 [9.9]	14600 [4.3]				1400 [661]	72	
RCFN-H*4824+RXMD-C06	Coil Only	1	29400 [8.6]	12100 [3.5]	49000 [14.4]	15	12	1250 [590]	72	
		2	35700 [10.5]	13300 [3.9]				1600 [755]	72	
049JEZ	RCQD-4821	RGFE-09?ZCM?	1	27000 [7.9]	12500 [3.7]	46500 [13.6]	16	11.5	1025 [484]	72
			2	32600 [9.6]	13900 [4.1]				1400 [661]	72
		RGFE-10?ZCM?	1	27000 [7.9]	12500 [3.7]	46500 [13.6]	15.5	11.5	1025 [484]	72
			2	32800 [9.6]	13700 [4.0]				1425 [672]	72
		RGFG-09?ZCM?	1	27000 [7.9]	12500 [3.7]	46500 [13.6]	16	11.5	1025 [484]	72
			2	32600 [9.6]	13900 [4.1]				1400 [661]	72
		RGFG-10?ZCM?	1	28900 [8.5]	11600 [3.4]	47500 [13.9]	15.5	11.5	1200 [566]	72
			2	35300 [10.3]	12200 [3.6]				1650 [779]	72
		RGJF-09?ZCM?	1	27000 [7.9]	12500 [3.7]	47000 [13.8]	16	12	1025 [484]	72
			2	33100 [9.7]	13900 [4.1]				1400 [661]	72
		RGJF-10?ZCM?	1	27600 [8.1]	12400 [3.6]	46500 [13.6]	16	12	1050 [495]	72
			2	32600 [9.6]	13900 [4.1]				1400 [661]	72
		RGPE-07?BRQ?	1	29600 [8.7]	11400 [3.3]	47500 [13.9]	16	12	1225 [578]	72
			2	35000 [10.3]	12500 [3.7]				1600 [755]	72
		RGPE-10?BRM?	1	29600 [8.7]	11400 [3.3]	47500 [13.9]	16	12	1225 [578]	72
			2	35000 [10.3]	12500 [3.7]				1625 [767]	72
		RGRM-09?ZAJ?	1	27700 [8.1]	12300 [3.6]	46500 [13.6]	15.5	11.5	1075 [507]	72
			2	32600 [9.6]	13900 [4.1]				1400 [661]	72
		RGRM-10?ZAJ?	1	27000 [7.9]	12500 [3.7]	46500 [13.6]	15.5	11.5	1025 [484]	72
			2	32800 [9.6]	13700 [4.0]				1425 [672]	72
RGTM-07?RBG?	1	28000 [8.2]	12000 [3.5]	47000 [13.8]	16	12	1125 [531]	72		
	2	33600 [9.8]	13400 [3.9]				1475 [696]	72		
RGTM-09?ZAJ?	1	27900 [8.2]	12100 [3.5]	47000 [13.8]	16	12	1100 [519]	72		
	2	33100 [9.7]	13900 [4.1]				1400 [661]	72		

① Highest sales volume tested combination required by D.O.E. test procedures.

[] Designates Metric Conversions

Performance Data @ AHRI Standard Conditions—Cooling

Outdoor Unit RARL-	Model Numbers		Stage	AHRI Cooling Performance 80°F [26.5°C] / 67°F [19.5°C] WB Indoor Air 95°F [35°C] DB Outdoor Air						
				Net Sensible BTU/H [kW]	Net Latent BTU/H [kW]	AHRI Ratings			Indoor Airflow CFM [L/s]	Sound Rating dB
	ID Coil	ID Air Mover				Total Capacity BTU/H [kW]	SEER	EER		
Rev. 5/8/2012	RCQD-4821	ROCA-070E04	1	28900 [8.5]	11600 [3.4]	46500 [13.6]	15.5	11.5	1200 [566]	72
			2	32600 [9.6]	13900 [4.1]				1400 [661]	72
ROLA-070E04		1	27500 [8.1]	12500 [3.7]	47000 [13.8]	16	12	1025 [484]	72	
		2	33000 [9.7]	14000 [4.1]				1375 [649]	72	
ROLA-115E05		1	27600 [8.1]	12400 [3.6]	47000 [13.8]	16	12	1050 [495]	72	
		2	33100 [9.7]	13900 [4.1]				1400 [661]	72	
RCQD-4821+RXMD-C06	Coil Only	1	28600 [8.4]	11400 [3.3]	47500 [13.9]	14.5	11.5	1250 [590]	72	
		2	35000 [10.3]	12500 [3.7]				1550 [731]	72	
049JEZ	RCQD-4824	RBHM-25J	1	29400 [8.6]	11600 [3.4]	48500 [14.2]	16.5	13	1200 [566]	72
			2	36000 [10.5]	12500 [3.7]				1600 [755]	72
		RGFE-09?ZCM?	1	27000 [7.9]	12500 [3.7]	46500 [13.6]	16	12	1025 [484]	72
			2	32600 [9.6]	13900 [4.1]				1400 [661]	72
		RGFE-10?ZCM?	1	27000 [7.9]	12500 [3.7]	47000 [13.8]	16	12	1025 [484]	72
			2	33300 [9.8]	13700 [4.0]				1425 [672]	72
		RGFE-12?RCM?	1	27500 [8.1]	12500 [3.7]	47000 [13.8]	16	12	1025 [484]	72
			2	33400 [9.8]	13600 [4.0]				1450 [684]	72
		RGFG-09?ZCM?	1	27000 [7.9]	12500 [3.7]	46500 [13.6]	16	12	1025 [484]	72
			2	32600 [9.6]	13900 [4.1]				1400 [661]	72
		RGFG-10?ZCM?	1	27600 [8.1]	12400 [3.6]	46500 [13.6]	16	12	1050 [495]	72
			2	32600 [9.6]	13900 [4.1]				1400 [661]	72
		RGFG-12?RCM?	1	27500 [8.1]	12500 [3.7]	47000 [13.8]	16	12	1025 [484]	72
			2	33400 [9.8]	13600 [4.0]				1450 [684]	72
		RGJF-09?ZCM?	1	27500 [8.1]	12500 [3.7]	47000 [13.8]	16	12	1025 [484]	72
			2	33100 [9.7]	13900 [4.1]				1400 [661]	72
		RGJF-10?ZCM?	1	27600 [8.1]	12400 [3.6]	47000 [13.8]	16	12	1050 [495]	72
			2	33100 [9.7]	13900 [4.1]				1400 [661]	72
		RGJF-12?RCM?	1	28900 [8.5]	11600 [3.4]	48000 [14.1]	16	12	1200 [566]	72
			2	35500 [10.4]	12500 [3.7]				1575 [743]	72
		RGPE-07?BRQ?	1	27600 [8.1]	12400 [3.6]	47000 [13.8]	16	12.5	1050 [495]	72
			2	33100 [9.7]	13900 [4.1]				1400 [661]	72
		RGPE-10?BRM?	1	27700 [8.1]	12300 [3.6]	47000 [13.8]	16.5	12	1075 [507]	72
			2	33100 [9.7]	13900 [4.1]				1400 [661]	72
		RGPE-12?ARM?	1	27700 [8.1]	12300 [3.6]	47500 [13.9]	16.5	12.5	1075 [507]	72
			2	33800 [9.9]	13700 [4.0]				1425 [672]	72
		RGRM-09?ZAJ?	1	27700 [8.1]	12300 [3.6]	46500 [13.6]	15.5	11.5	1075 [507]	72
			2	32600 [9.6]	13900 [4.1]				1400 [661]	72
		RGRM-10?ZAJ?	1	27000 [7.9]	12500 [3.7]	46500 [13.6]	16	11.5	1025 [484]	72
			2	32800 [9.6]	13700 [4.0]				1425 [672]	72
		RGRM-12?RAJ?	1	27700 [8.1]	12300 [3.6]	47000 [13.8]	16	12	1075 [507]	72
			2	33300 [9.8]	13700 [4.0]				1425 [672]	72
		RGTM-07?RBG?	1	30200 [8.8]	11100 [3.3]	48500 [14.2]	15.5	11.5	1325 [625]	72
			2	36200 [10.6]	12200 [3.6]				1675 [790]	72
		RGTM-09?ZAJ?	1	27900 [8.2]	12100 [3.5]	47000 [13.8]	16	12	1100 [519]	72
			2	33100 [9.7]	13900 [4.1]				1400 [661]	72
		RGTM-10?RBJ?	1	28500 [8.4]	12000 [3.5]	47000 [13.8]	16	12	1125 [531]	72
			2	33300 [9.8]	13700 [4.0]				1425 [672]	72

① Highest sales volume tested combination required by D.O.E. test procedures.

[] Designates Metric Conversions

Performance Data @ AHRI Standard Conditions—Cooling

Outdoor Unit RARL-	Model Numbers		Stage	AHRI Cooling Performance 80°F [26.5°C] / 67°F [19.5°C] WB Indoor Air 95°F [35°C] DB Outdoor Air							
				Net Sensible BTU/H [kW]	Net Latent BTU/H [kW]	AHRI Ratings			Indoor Airflow CFM [L/s]	Sound Rating dB	
	ID Coil	ID Air Mover				Total Capacity BTU/H [kW]	SEER	EER			
Rev. 5/8/2012 049JEZ	RCQD-4824	ROCA-070E04	1	28900 [8.5]	11600 [3.4]	46500 [13.6]	15.5	11.5	1200 [566]	72	
			2	32600 [9.6]	13900 [4.1]				1400 [661]	72	
		ROLA-070E04	1	28700 [8.4]	11800 [3.5]	47500 [13.9]	16	11.5	1175 [554]	72	
			2	35000 [10.3]	12500 [3.7]				1600 [755]	72	
		ROLA-115E05	1	27600 [8.1]	12400 [3.6]	47000 [13.8]	16	12	1050 [495]	72	
			2	33100 [9.7]	13900 [4.1]				1400 [661]	72	
	RCQD-4824+RXMD-C06	Coil Only	1	28600 [8.4]	11400 [3.3]	47500 [13.9]	14.5	11.5	1250 [590]	72	
			2	35000 [10.3]	12500 [3.7]				1600 [755]	72	
	RCSL-H*4824	RHPL-HM4824	1	26200 [7.7]	13300 [3.9]	46000 [13.5]	16	12	1250 [590]	72	
			2	30900 [9.1]	15100 [4.4]				1625 [767]	72	
	061JEZ	RCSN-H*6024 ①	RHPN-HM6024	1	34100 [10.0]	14900 [4.4]	59000 [17.3]	16	13	1325 [625]	76
				2	42700 [12.5]	16300 [4.8]				1775 [838]	78
1 - dehumid				29000 [8.5]	12500 [3.7]	1050 [495]					
2 - dehumid				39300 [11.5]	18200 [5.3]	1450 [684]					
RCFL-H*6024		RGFE-09?ZCM?	1	32300 [9.5]	15700 [4.6]	57500 [16.8]	16	12	1200 [566]	76	
			2	39700 [11.6]	17800 [5.2]				1600 [755]	78	
		RGFE-10?ZCM?	1	32400 [9.5]	15600 [4.6]	57000 [16.7]	16	12	1225 [578]	76	
			2	39200 [11.5]	17800 [5.2]				1600 [755]	78	
		RGFE-12?RCM?	1	32900 [9.6]	15600 [4.6]	57500 [16.8]	16	12	1225 [578]	76	
			2	39900 [11.7]	17600 [5.2]				1625 [767]	78	
		RGFG-09?ZCM?	1	32300 [9.5]	15700 [4.6]	57500 [16.8]	16	12	1200 [566]	76	
			2	39700 [11.6]	17800 [5.2]				1600 [755]	78	
		RGFG-10?ZCM?	1	32300 [9.5]	15700 [4.6]	57500 [16.8]	16	12	1200 [566]	76	
			2	40100 [11.7]	17400 [5.1]				1650 [779]	78	
		RGFG-12?RCM?	1	32900 [9.6]	15600 [4.6]	57500 [16.8]	16	12	1225 [578]	76	
			2	39900 [11.7]	17600 [5.2]				1625 [767]	78	
		RGGE-09?ZCM?	1	32900 [9.6]	15600 [4.6]	57500 [16.8]	16	12	1225 [578]	76	
			2	39700 [11.6]	17800 [5.2]				1600 [755]	78	
		RGGE-10?ZCM?	1	32300 [9.5]	15700 [4.6]	57500 [16.8]	16	12	1200 [566]	76	
			2	39700 [11.6]	17800 [5.2]				1600 [755]	78	
		RGGE-12?RCM?	1	34400 [10.1]	14600 [4.3]	58500 [17.1]	16	12	1375 [649]	76	
			2	42100 [12.3]	16400 [4.8]				1750 [826]	78	
		RGJF-09?ZCM?	1	32900 [9.6]	15600 [4.6]	57500 [16.8]	16	12	1225 [578]	76	
			2	39700 [11.6]	17800 [5.2]				1600 [755]	78	
		RGJF-10?ZCM?	1	32300 [9.5]	15700 [4.6]	57500 [16.8]	16	12	1200 [566]	76	
			2	39700 [11.6]	17800 [5.2]				1600 [755]	78	
		RGJF-12?RCM?	1	34400 [10.1]	14600 [4.3]	58500 [17.1]	16	12	1375 [649]	76	
			2	42100 [12.3]	16400 [4.8]				1750 [826]	78	
		RGLE-07?BRQ?	1	32900 [9.6]	15600 [4.6]	57500 [16.8]	16	12.5	1225 [578]	76	
			2	39700 [11.6]	17800 [5.2]				1600 [755]	78	
		RGLE-10?BRM?	1	32800 [9.6]	15700 [4.6]	58000 [17.0]	16	12.5	1200 [566]	76	
			2	40200 [11.8]	17800 [5.2]				1600 [755]	78	
		RGLE-12?ARM?	1	32900 [9.6]	15600 [4.6]	58000 [17.0]	16	12.5	1225 [578]	76	
			2	40200 [11.8]	17800 [5.2]				1600 [755]	78	
		RGPE-07?BRQ?	1	32900 [9.6]	15600 [4.6]	58000 [17.0]	16	12.5	1225 [578]	76	
			2	40200 [11.8]	17800 [5.2]				1600 [755]	78	

① Highest sales volume tested combination required by D.O.E. test procedures.

[] Designates Metric Conversions

Performance Data @ AHRI Standard Conditions—Cooling

Outdoor Unit RARL-	Model Numbers		Stage	AHRI Cooling Performance 80°F [26.5°C] / 67°F [19.5°C] WB Indoor Air 95°F [35°C] DB Outdoor Air						
				Net Sensible BTU/H [kW]	Net Latent BTU/H [kW]	AHRI Ratings			Indoor Airflow CFM [L/s]	Sound Rating dB
	ID Coil	ID Air Mover				Total Capacity BTU/H [kW]	SEER	EER		
Rev. 5/8/2012	RCFL-H*6024	RGPE-10?BRM?	1	32900 [9.6]	15600 [4.6]	58000 [17.0]	16	12.5	1225 [578]	76
			2	40400 [11.8]	17600 [5.2]				1625 [767]	78
RGPE-12?ARM?		1	32800 [9.6]	15700 [4.6]	58000 [17.0]	16	12.5	1200 [566]	76	
		2	40400 [11.8]	17600 [5.2]				1625 [767]	78	
RGRM-07?YBG?		1	31800 [9.3]	15700 [4.6]	56000 [16.4]	15	11	1200 [566]	76	
		2	38000 [11.1]	18000 [5.3]				1575 [743]	78	
RGRM-09?ZAJ?		1	32400 [9.5]	15600 [4.6]	57000 [16.7]	15.5	11.5	1225 [578]	76	
		2	39400 [11.5]	17600 [5.2]				1625 [767]	78	
RGRM-10?ZAJ?		1	31500 [9.2]	16000 [4.7]	57000 [16.7]	16	11.5	1150 [543]	76	
		2	39200 [11.5]	17800 [5.2]				1600 [755]	78	
RGRM-12?RAJ?		1	32400 [9.5]	15600 [4.6]	57500 [16.8]	16	12	1225 [578]	76	
		2	39900 [11.7]	17600 [5.2]				1625 [767]	78	
RGTM-07?RBG?		1	34100 [10.0]	14900 [4.4]	58000 [17.0]	16	12	1325 [625]	76	
		2	40800 [12.0]	17200 [5.0]				1675 [790]	78	
RGTM-09?ZAJ?		1	33100 [9.7]	15400 [4.5]	57500 [16.8]	16	12	1250 [590]	76	
		2	39700 [11.6]	17800 [5.2]				1600 [755]	78	
RGTM-10?RBJ?		1	33200 [9.7]	15300 [4.5]	58000 [17.0]	16	12.5	1275 [602]	76	
		2	40800 [12.0]	17200 [5.0]				1675 [790]	78	
ROCA-070E04		1	32300 [9.5]	15700 [4.6]	56500 [16.6]	16	12	1200 [566]	76	
		2	37100 [10.9]	19400 [5.7]				1400 [661]	78	
ROLA-070E04	1	32100 [9.4]	15900 [4.7]	57500 [16.8]	16	12	1175 [554]	76		
	2	39700 [11.6]	17800 [5.2]				1600 [755]	78		
ROLA-115E05	1	32800 [9.6]	15700 [4.6]	57500 [16.8]	16	12.5	1200 [566]	76		
	2	39700 [11.6]	17800 [5.2]				1600 [755]	78		
RCFL-H*6024+RXMD-C06	Coil Only	1	33100 [9.7]	14900 [4.4]	58000 [17.0]	15	12	1325 [625]	76	
		2	40800 [12.0]	17200 [5.0]				1675 [790]	78	
061JEZ	RCFN-H*6024	RGFE-09?ZCM?	1	32300 [9.5]	15700 [4.6]	57500 [16.8]	16	12	1200 [566]	76
			2	39700 [11.6]	17800 [5.2]				1600 [755]	78
		RGFE-10?ZCM?	1	32400 [9.5]	15600 [4.6]	57000 [16.7]	16	12	1225 [578]	76
			2	39200 [11.5]	17800 [5.2]				1600 [755]	78
		RGFE-12?RCM?	1	32900 [9.6]	15600 [4.6]	57500 [16.8]	16	12	1225 [578]	76
			2	39900 [11.7]	17600 [5.2]				1625 [767]	78
		RGFG-09?ZCM?	1	32300 [9.5]	15700 [4.6]	57500 [16.8]	16	12	1200 [566]	76
			2	39700 [11.6]	17800 [5.2]				1600 [755]	78
		RGFG-10?ZCM?	1	32300 [9.5]	15700 [4.6]	57500 [16.8]	16	12	1200 [566]	76
			2	40100 [11.7]	17400 [5.1]				1650 [779]	78
		RGFG-12?RCM?	1	32900 [9.6]	15600 [4.6]	57500 [16.8]	16	12	1225 [578]	76
			2	39900 [11.7]	17600 [5.2]				1625 [767]	78
		RGGE-10?ZCM?	1	32300 [9.5]	15700 [4.6]	57500 [16.8]	16	12	1200 [566]	76
			2	39700 [11.6]	17800 [5.2]				1600 [755]	78
		RGGE-12?RCM?	1	34400 [10.1]	14600 [4.3]	58500 [17.1]	16	12	1375 [649]	76
			2	42200 [12.4]	16300 [4.8]				1750 [826]	78
		RGJF-09?ZCM?	1	32900 [9.6]	15600 [4.6]	57500 [16.8]	16	12	1225 [578]	76
			2	39700 [11.6]	17800 [5.2]				1600 [755]	78
		RGJF-10?ZCM?	1	32300 [9.5]	15700 [4.6]	57500 [16.8]	16	12	1200 [566]	76
			2	39700 [11.6]	17800 [5.2]				1600 [755]	78

① Highest sales volume tested combination required by D.O.E. test procedures.

[] Designates Metric Conversions

Performance Data @ AHRI Standard Conditions—Cooling

Outdoor Unit RARL-	Model Numbers		Stage	AHRI Cooling Performance 80°F [26.5°C] / 67°F [19.5°C] WB Indoor Air 95°F [35°C] DB Outdoor Air						
				Net Sensible BTU/H [kW]	Net Latent BTU/H [kW]	AHRI Ratings			Indoor Airflow CFM [L/s]	Sound Rating dB
	ID Coil	ID Air Mover				Total Capacity BTU/H [kW]	SEER	EER		
Rev. 5/8/2012	RCQD-6024	RGJF-09?ZCM?	1	30100 [8.8]	14900 [4.4]	53500 [15.7]	15	11.5	1225 [578]	76
			2	36400 [10.7]	17100 [5.0]				1600 [755]	78
RGJF-10?ZCM?		1	29900 [8.8]	15100 [4.4]	53500 [15.7]	15	11.5	1200 [566]	76	
		2	36400 [10.7]	17100 [5.0]				1600 [755]	78	
RGJF-12?RCM?		1	31900 [9.3]	14100 [4.1]	54500 [16.0]	15	11.5	1375 [649]	76	
		2	38800 [11.4]	15700 [4.6]				1750 [826]	78	
RGPE-07?BRQ?		1	30100 [8.8]	14900 [4.4]	54000 [15.8]	15	12	1225 [578]	76	
		2	36900 [10.8]	17100 [5.0]				1600 [755]	78	
RGPE-10?BRM?		1	30100 [8.8]	14900 [4.4]	54000 [15.8]	15	12	1225 [578]	76	
		2	37100 [10.9]	16900 [5.0]				1625 [767]	78	
RGPE-12?ARM?		1	29900 [8.8]	15100 [4.4]	54000 [15.8]	15.5	12	1200 [566]	76	
		2	37100 [10.9]	16900 [5.0]				1625 [767]	78	
RGRM-07?YBG?		1	29400 [8.6]	15100 [4.4]	52000 [15.2]	13.5	10	1200 [566]	76	
		2	34800 [10.2]	17200 [5.0]				1575 [743]	78	
RGRM-09?ZAJ?		1	30100 [8.8]	14900 [4.4]	53000 [15.5]	14.5	11	1225 [578]	76	
		2	36100 [10.6]	16900 [5.0]				1625 [767]	78	
RGRM-10?ZAJ?		1	29200 [8.6]	15300 [4.5]	53000 [15.5]	14.5	11	1150 [543]	76	
		2	35900 [10.5]	17100 [5.0]				1600 [755]	78	
RGRM-12?RAJ?		1	30100 [8.8]	14900 [4.4]	53500 [15.7]	15	11.5	1225 [578]	76	
		2	36600 [10.7]	16900 [5.0]				1625 [767]	78	
RGTM-07?RBG?	1	31100 [9.1]	14400 [4.2]	54000 [15.8]	14.5	11.5	1325 [625]	76		
	2	37500 [11.0]	16500 [4.8]				1675 [790]	78		
RGTM-09?ZAJ?	1	30200 [8.8]	14800 [4.3]	53500 [15.7]	15	11.5	1250 [590]	76		
	2	36400 [10.7]	17100 [5.0]				1600 [755]	78		
RGTM-10?RBJ?	1	30900 [9.1]	14600 [4.3]	54000 [15.8]	15	11.5	1275 [602]	76		
	2	37500 [11.0]	16500 [4.8]				1675 [790]	78		
ROCA-070E04	1	31600 [9.3]	13900 [4.1]	53000 [15.5]	14	11	1400 [661]	76		
	2	35900 [10.5]	17100 [5.0]				1600 [755]	78		
ROLA-070E04	1	29800 [8.7]	15200 [4.5]	53500 [15.7]	15	11.5	1175 [554]	76		
	2	36400 [10.7]	17100 [5.0]				1600 [755]	78		
ROLA-115E05	1	29900 [8.8]	15100 [4.4]	53500 [15.7]	15	11.5	1200 [566]	76		
	2	36400 [10.7]	17100 [5.0]				1600 [755]	78		
RCQD-6024+RXMD-C06	Coil Only	1	30600 [9.0]	14400 [4.2]	54500 [16.0]	14	11.5	1325 [625]	76	
		2	38800 [11.4]	15700 [4.6]				1775 [838]	78	
RCSL-H*6024	RHPL-HM6024	1	35000 [10.3]	14500 [4.2]	59000 [17.3]	16	13	1400 [661]	76	
		2	41900 [12.3]	17100 [5.0]				1700 [802]	78	

① Highest sales volume tested combination required by D.O.E. test procedures.

[] Designates Metric Conversions



Electrical and Physical Data

Model Number RARL	ELECTRICAL							PHYSICAL					
	Phase Frequency (Hz) Voltage (Volts)	Compressor		Fan Motor Full Load Amperes (FLA)	Minimum Circuit Capacity Amperes	Fuse or HACR Circuit Breaker		Outdoor Coil			Refrig. Per Circuit Oz. [g]	Weight	
		Rated Load Amperes (RLA)	Locked Rotor Amperes (LRA)			Minimum Amperes	Maximum Amperes	Face Area Sq. Ft. [m ²]	No. Rows	CFM [L/s]		Net Lbs. [kg]	Shipping Lbs. [kg]
Rev. 5/8/2012													
025JEZ	1-60-208/230	11.7/11.7	58.3	0.75	16/16	20/20	25/25	15.82 [1.47]	1	2285 [1078]	104 [2948]	197 [89.4]	210 [89.4]
038JEZ	1-60-208/230	15.3/15.3	83	1	21/21	25/25	35/35	23.01 [2.14]	1	3400 [1604]	186 [5273]	216 [98]	229 [98]
049JEZ	1-60-208/230	21.2/21.2	104	1	28/28	35/35	45/45	23.01 [2.14]	1	3400 [1604]	180 [5103]	252 [114.3]	265 [120.2]
061JEZ	1-60-208/230	28.8/28.8	152.9	2.8	39/39	50/50	60/60	23.01 [2.14]	2	3500 [1652]	243 [6889]	283 [128.4]	296 [128.4]

NOTE: Factory Refrigerant Charge includes refrigerant for 15 feet of standard line set.

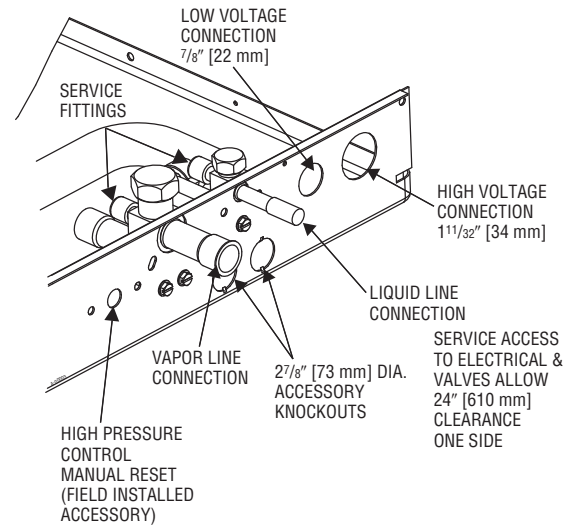
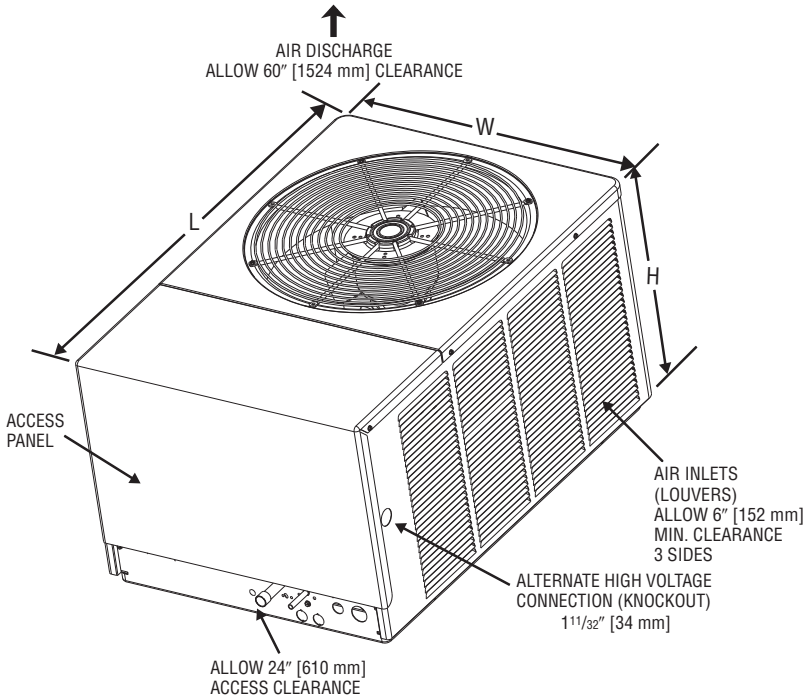
[] Designates Metric Conversions



Unit Dimensions

Model Number RARL-	Height "H" (Inches) [mm]	Length "L" (Inches) [mm]	Width "W" (Inches) [mm]
025JEZ	23 [584]	44 ³ / ₈ [1127]	31 ¹ / ₂ [800]
038JEZ/049JEZ/061JEZ	33 [838]	44 ³ / ₈ [1127]	31 ¹ / ₂ [800]

[] Designates Metric Conversions





Condensing Unit Refrigerant Line Size Information

2-Stage R-410A System Capacity Model	Liquid Line Connection Size (Inch I.D.)	Line Size (Inch O.D.) (mm)	Liquid Line Size Outdoor unit above Indoor Coil (Cooling Only)						Liquid Line Size Outdoor unit Below Indoor Coil (Cooling Only)					
			Total Equivalent Length—Feet [m]						Total Equivalent Length—Feet [m]					
			25 [7.62]	50 [15.24]	75 [22.86]	100 [30.48]	125 [38.10]	150 [45.72]	25 [7.62]	50 [15.24]	75 [22.86]	100 [30.48]	125 [38.10]	150 [45.72]
			Minimum Vertical Separation—Feet [m]						Maximum Vertical Separation—Feet [m]					
2 Ton	5/16" [7.94]	1/4* [6.35]	0	0	17 [5.18]	43 [13.10]	70 [21.33]	95 [28.95]	25 [7.62]	10 [3.04]	N/A	N/A	N/A	N/A
		5/16 [7.94]	0	0	0	0	0	0	25 [7.62]	50 [15.24]	40 [12.19]	35 [10.66]	29 [8.83]	22 [6.70]
		3/8 [9.53]	0	0	0	0	0	0	25 [7.62]	50 [15.24]	45 [13.71]	42 [12.80]	39 [11.88]	37 [11.28]
3 Ton	5/16" [7.94]	5/16* [7.94]	0	0	0	0	7	25 [7.62]	39 [11.88]	28 [8.53]	16 [4.87]	5 [1.52]	N/A	
		3/8 [9.53]	0	0	0	0	0	0	25 [7.62]	50 [15.24]	51 [15.54]	48 [14.63]	44 [13.41]	40 [12.19]
4 Ton	3/8" [9.53]	5/16* [7.94]	0	0	8 [2.43]	32 [9.75]	55 [16.76]	80 [24.38]	25 [7.62]	15 [4.57]	N/A	N/A	N/A	N/A
		3/8 [9.53]	0	0	0	0	0	0	25 [7.62]	47 [14.32]	40 [12.19]	32 [9.75]	24 [7.31]	17 [5.18]
5 Ton	3/8" [9.53]	3/8* [9.53]	0	0	0	0	0	0	25 [7.62]	41 [12.49]	30 [9.14]	20 [6.09]	10 [3.04]	0
		1/2 [12.7]	0	0	0	0	0	0	25 [7.62]	50 [15.24]	56 [17.06]	54 [16.45]	52 [15.84]	50 [15.24]

NOTES: N/A = Application not recommended.

*Standard line size

Suction Line Length/Size and Capacity Multiplier					
2-Stage R-410A System Capacity Model		2 Ton	3 Ton	4 Ton	5 Ton
Suction Line Connection Size		3/4" [19.05] I.D.		7/8" [22.23] I.D.	
Suction Line Run Feet [m]		5/8" [15.88 mm] O.D. Std.* 3/4" [19.05 mm] O.D. Opt.	5/8" [15.88 mm] O.D. Opt. 3/4" [19.05 mm] O.D. Std.*	3/4" [19.05 mm] O.D. Opt. 7/8" [22.23 mm] O.D. Std.*	
25' [7.62]	Optional Standard Optional	— 1.00 1.00	.99 1.00 N/A	1.00 1.00 N/A	.99 1.00 N/A
50' [15.24]	Optional Standard Optional	— .99 1.00	.98 .99 N/A	.98 .99 N/A	.98 .99 N/A
100' [30.48]	Optional Standard Optional	— .97 .98	.95 .97 N/A	.95 .97 N/A	.94 .97 N/A
150' [45.72]	Optional Standard Optional	— .95 .97	.91 .95 N/A	.93 .95 N/A	.91 .95 N/A

NOTES: Line size not recommended due to inadequate oil return.

*Standard line size

[] Designates Metric Conversions



GENERAL TERMS OF LIMITED WARRANTY*

Rheem will furnish a replacement for any part of this product which fails in normal use and service within the applicable period stated, in accordance with the terms of the limited warranty.

***For complete details of the Limited and Conditional Warranties, including applicable terms and conditions, contact your local contractor or the Manufacturer for a copy of the product warranty certificate.**

Conditional Unit Replacement
(Registration Required)Ten (10) Years
PartsTen (10) Years



The new degree of comfort.™

In keeping with its policy of continuous progress and product improvement, Rheem reserves the right to make changes without notice.

Rheem Heating, Cooling & Water Heating • P.O. Box 17010
Fort Smith, Arkansas 72917 • www.rheem.com

Rheem Canada Ltd./Ltée • 125 Edgeware Road, Unit 1
Brampton, Ontario • L6Y 0P5



INTEGRATED HOME COMFORT

PRINTED IN U.S.A 06/12 QG FORM NO. A11-213