



RA14

Parts List
04-December-2014



*This parts list is current as of the above revision date.
See <http://www.rheempartslists.net/92-42800-RA14.pdf> for the current revision.*

Condensing Units

Table of Contents

Model Explanation	Page 3
Parts Numbers	
Panels	Page 4
Electrical-Fan Group	Page 5
Coil Parts	Page 6
Compressor Group	Page 7
Accessories	Page 8
Drawings/Photographs	
Exploded View	Page 9
Control Box	Page 10
Valve Mounting, Compressor	Page 11
Notes/Disclaimer	Page 12

MODEL NUMBER EXPLANATION

R	A	1	4	1	8	A	J	1	N	A
1	2	3	4	5	6	7	8	9		

- | | |
|---|---|
| <p>(1) Brand</p> <p>(2) Product Category
A = Air Conditioner</p> <p>(3) Seer
14 = 14 SEER</p> <p>(4) COOLING CAPACITY (BTU/HR)
018 = 18,000
024 = 24,000
030 = 30,000
036 = 36,000
042 = 42,000
048 = 48,000
060 = 60,000</p> | <p>(5) MAJOR SERIES
A = First Design Series</p> <p>(6) VOLTAGE
J = 208-230/1/60
C = 208-230/3/60
D = 460/3/60
Y = 575/3/60</p> <p>(7) TYPE
1 = Single Stage</p> <p>(8) CONTROLS
N = Non-Communicating</p> <p>(9) MINOR SERIES
A = First Design Series
B = Second Design Series (LPC/HPC)</p> |
|---|---|

SERIAL NUMBER EXPLANATION

W	0	8	1	3	9	9	9	9
(1)	(2)	(3)	(4)					

- (1) **PLANT CODE**
W = West Nuevo Laredo
- (2) **WEEK OF PRODUCTION**
- (3) **YEAR OF PRODUCTION**
- (4) **PRODUCTION NUMBER**

Note: For Compressor Identification Number, see Compressor Code on Rating Plate

No.	Notes	MODEL COOLING CAPACITY VARIATION	RA14 18 AJ1NA/B	RA14 24 AJ1NA/B	RA14 30 AJ1NA/B	RA14 36 AC1NB	RA14 36 AJ1NA/B	RA14 42 AC1NB	
SHEET METAL PARTS, MISCELLANEOUS									
1		Front Panel	AE-104456-07	AE-104456-07	AE-104456-01	AE-104456-03	AE-104456-03	AE-104456-05	
2		Left Panel	AE-104456-09	AE-104456-09	AE-104456-12	AE-104456-21	AE-104456-21	AE-104456-34	
3		Back Panel	AE-104456-08	AE-104456-08	AE-104456-02	AE-104456-04	AE-104456-04	AE-104456-63	
4		Right Panel	AE-104456-10	AE-104456-07	AE-104456-01	AE-104456-03	AE-104456-03	AE-104456-05	
5		Base Pan	68-104457-01	68-104457-01	68-104457-01	68-104457-02	68-104457-02	68-104457-03	
6		Control Box	AE-104461-01	AE-104461-01	AE-104461-01	AE-104461-01	AE-104461-01	AE-104461-01	
7		Control Box Cover	AS-104462-01H	AS-104462-01H	AS-104462-01H	AS-104462-01H	AS-104462-01H	AS-104462-01H	
8		Control Box Bracket	AS-104460-01H	AS-104460-01H	AS-104460-02H	AS-104460-02H	AS-104460-02H	AS-104460-02H	
9		Service Door	AS-104525-01H	AS-104525-01H	AS-104525-01H	AS-104525-01H	AS-104525-01H	AS-104525-01H	
10		Center Post (2)	AS-104459-01H	AS-104459-01H	AS-104459-03H	AS-104459-03H	AS-104459-03H	AS-104459-03H	
11		Corner Post (2)	AS-104469-01H	AS-104469-01H	AS-104469-02H	AS-104469-02H	AS-104469-02H	AS-104469-02H	
12		Corner Post	AS-104469-08H	AS-104469-01H	AS-104469-02H	AS-104469-02H	AS-104469-02H	AS-104469-02H	
13		Top Panel	AS-104458-01H	AS-104458-01H	AS-104458-01H	AS-104458-02H	AS-104458-02H	AS-104458-03H	
14		Venturi	68-104464-02	68-104464-02	68-104464-02	68-104464-04	68-104464-04	68-104464-05	
15		Grille	95-104620-01	95-104620-01	95-104620-01	95-104620-02	95-104620-02	95-104620-03	
		Center Cap - Blank (for Grille)	91-101123-09	91-101123-09	91-101123-09	91-101123-09	91-101123-09	91-101123-09	
		Service Valve - Suction	See Coil Group						
		Service Valve - Liquid	See Coil Group						
		Touch-up Paint - Granite/Steel Gray (Aerosol)	PD523018	PD523018	PD523018	PD523018	PD523018	PD523018	
		Touch-up Paint - Granite/Steel Gray (Paint Pens)	PD523019	PD523019	PD523019	PD523019	PD523019	PD523019	

No.	Notes	MODEL COOLING CAPACITY VARIATION	RA14 42 AJ1NA/B	RA14 48 AC1NB	RA14 48 AJ1NA/B	RA14 60 AC1NB	RA14 60 AJ1NA/B		
SHEET METAL PARTS, MISCELLANEOUS									
1		Front Panel	AE-104456-05	AE-104456-35	AE-104456-35	AE-104456-38	AE-104456-38		
2		Left Panel	AE-104456-34	AE-104456-37	AE-104456-37	AE-104456-40	AE-104456-40		
3		Back Panel	AE-104456-63	AE-104456-36	AE-104456-36	AE-104456-39	AE-104456-39		
4		Right Panel	AE-104456-05	AE-104456-35	AE-104456-35	AE-104456-38	AE-104456-38		
5		Base Pan	68-104457-03	68-104457-03	68-104457-03	68-104457-03	68-104457-03		
6		Control Box	AE-104461-01	AE-104461-01	AE-104461-01	AE-104461-01	AE-104461-01		
7		Control Box Cover	AS-104462-01H	AS-104462-01H	AS-104462-01H	AS-104462-01H	AS-104462-01H		
8		Control Box Bracket	AS-104460-02H	AS-104460-03H	AS-104460-03H	AS-104460-04H	AS-104460-04H		
9		Service Door	AS-104525-01H	AS-104525-01H	AS-104525-01H	AS-104525-01H	AS-104525-01H		
10		Center Post (2)	AS-104459-03H	AS-104459-05H	AS-104459-05H	AS-104459-07H	AS-104459-07H		
11		Corner Post (2)	AS-104469-02H	AS-104469-03H	AS-104469-03H	AS-104469-04H	AS-104469-04H		
12		Corner Post	AS-104469-02H	AS-104469-03H	AS-104469-03H	AS-104469-04H	AS-104469-04H		
13		Top Panel	AS-104458-03H	AS-104458-03H	AS-104458-03H	AS-104458-03H	AS-104458-03H		
14		Venturi	68-104464-05	68-104464-05	68-104464-05	68-104464-05	68-104464-05		
15		Grille	95-104620-03	95-104620-03	95-104620-03	95-104620-03	95-104620-03		
		Center Cap - Blank (for Grille)	91-101123-09	91-101123-09	91-101123-09	91-101123-09	91-101123-09		
		Service Valve - Suction	See Coil Group						
		Service Valve - Liquid	See Coil Group						
		Touch-up Paint - Granite/Steel Gray (Aerosol)	PD523018	PD523018	PD523018	PD523018	PD523018		
		Touch-up Paint - Granite/Steel Gray (Paint Pens)	PD523019	PD523019	PD523019	PD523019	PD523019		

No.	Notes	MODEL COOLING CAPACITY VARIATION	RA14 18 AJ1NA/B	RA14 24 AJ1NA/B	RA14 30 AJ1NA/B	RA14 36 AC1NB	RA14 36 AJ1NA/B	RA14 42 AC1NB
ELECTRICAL/FAN GROUP								
20	Stk	Fan Motor	51-101774-21	51-101774-23	51-101774-22	51-101774-02	51-101774-02	51-102008-07
21	Stk	Fan Blade	70-101323-24	70-101323-37	70-101323-25	70-102011-12	70-102011-12	70-101323-27
22	Stk	Contactora	42-102664-05	42-102664-05	42-102664-05	42-102664-14	42-102664-05	42-102664-14
23		Capacitor	See Compressor Group					
23a		Capacitor Strap	AE-104562-01	AE-104562-01	AE-104562-01	AE-104562-01	AE-104562-01	AE-104562-01
25		Crankcase Heater	See Compressor Group					
26		Grounding Lug	45-19000-01	45-19000-01	45-19000-01	45-19000-01	45-19000-01	45-19000-01
		Low Ambient Control	See Accessories Group					
27	Stk	Low Pressure Control (Design Series 'B')	47-103670-08	47-103670-08	47-103670-08	47-103670-08	47-103670-08	47-103670-08
27a		Valve Body - Low Pressure Control	61-18542-01	61-18542-01	61-18542-01	61-18542-01	61-18542-01	61-18542-01
28	Stk	High Pressure Control (Design Series 'B')	47-102290-01	47-102290-01	47-102290-01	47-102290-01	47-102290-01	47-102290-01

No.	Notes	MODEL COOLING CAPACITY VARIATION	RA14 42 AJ1NA/B	RA14 48 AC1NB	RA14 48 AJ1NA/B	RA14 60 AC1NB	RA14 60 AJ1NA/B	
ELECTRICAL/FAN GROUP								
20	Stk	Fan Motor	51-102008-07	51-102008-07	51-102008-07	51-101774-12	51-101774-12	
21	Stk	Fan Blade	70-101323-27	70-101323-27	70-101323-27	70-101323-28	70-101323-28	
22	Stk	Contactora	42-102664-05	42-102664-14	42-102664-10	42-102664-14	42-102664-10	
23		Capacitor	See Compressor Group					
23a		Capacitor Strap	AE-104562-01	AE-104562-01	AE-104562-01	AE-104562-01	AE-104562-01	
25		Crankcase Heater	See Compressor Group					
26		Grounding Lug	45-19000-01	45-19000-01	45-19000-01	45-19000-01	45-19000-01	
		Low Ambient Control	See Accessories Group					
27	Stk	Low Pressure Control (Design Series 'B')	47-103670-08	47-103670-08	47-103670-08	47-103670-08	47-103670-08	
27a		Valve Body - Low Pressure Control	61-18542-01	61-18542-01	61-18542-01	61-18542-01	61-18542-01	
28	Stk	High Pressure Control (Design Series 'B')	47-102290-01	47-102290-01	47-102290-01	47-102290-01	47-102290-01	

No.	Notes	MODEL COOLING CAPACITY VARIATION	RA14 18 AJ1NA/B	RA14 24 AJ1NA/B	RA14 30 AJ1NA/B	RA14 36 AC1NB	RA14 36 AJ1NA/B	RA14 42 AC1NB	
COIL GROUP									
30	Stk	Condenser Coil	AS-104738-03	AS-104750-03	AS-104889-03	AS-104889-03	AS-104916-03	AS-104917-03	
31		Service Valve - Suction	61-104914-03	61-104914-03	61-104914-03	61-104914-03	61-104914-03	61-104914-04	
32		Service Valve - Liquid	61-104914-01	61-104914-01	61-104914-01	61-104914-01	61-104914-01	61-104914-01	
33a		Valve Core	61-18551-01	61-18551-01	61-18551-01	61-18551-01	61-18551-01	61-18551-01	
33b		Valve Cap	83-100635-01	83-100635-01	83-100635-01	83-100635-01	83-100635-01	83-100635-01	
27	Stk	Low Pressure Control	See Electrical Group						
28	Stk	High Pressure Control	See Electrical Group						
	Stk	Filter Drier	83-22755-12	83-22755-12	83-22755-12	83-22755-12	83-22755-12	83-22755-12	

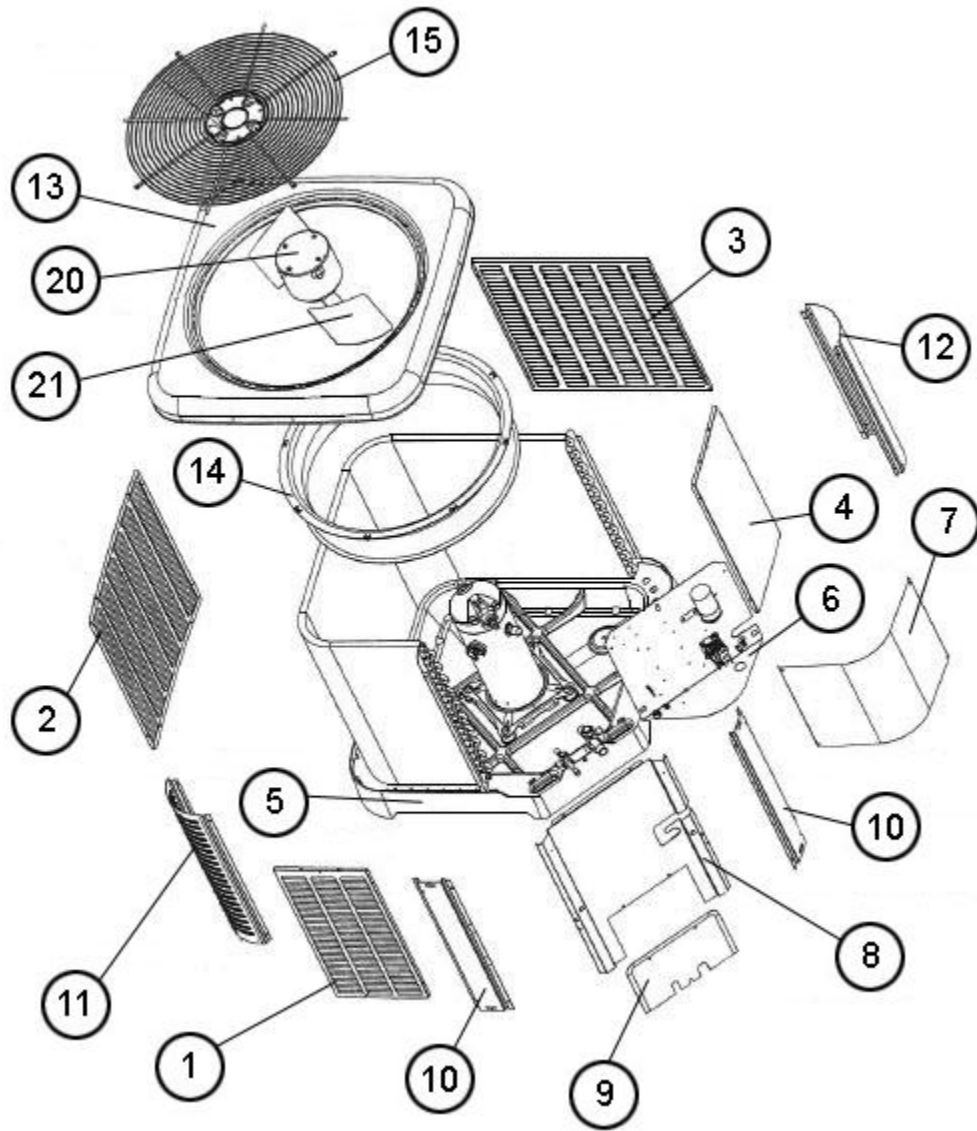
No.	Notes	MODEL COOLING CAPACITY VARIATION	RA14 42 AJ1NA/B	RA14 48 AC1NB	RA14 48 AJ1NA/B	RA14 60 AC1NB	RA14 60 AJ1NA/B		
COIL GROUP									
30	Stk	Condenser Coil	AS-104917-03	AS-104918-03	AS-104918-03	AS-104919-03	AS-104919-03		
31		Service Valve - Suction	61-104914-04	61-104914-04	61-104914-04	61-104914-04	61-104914-04		
32		Service Valve - Liquid	61-104914-01	61-104914-01	61-104914-01	61-104914-01	61-104914-01		
33a		Valve Core	61-18551-01	61-18551-01	61-18551-01	61-18551-01	61-18551-01		
33b		Valve Cap	83-100635-01	83-100635-01	83-100635-01	83-100635-01	83-100635-01		
27	Stk	Low Pressure Control	See Electrical Group						
28	Stk	High Pressure Control	See Electrical Group						
	Stk	Filter Drier	83-22755-12	83-22755-12	83-22755-12	83-22755-12	83-22755-12		

No.	Notes	MODEL COOLING CAPACITY VARIATION	RA14 18 AJ1NA/B	RA14 24 AJ1NA/B	RA14 30 AJ1NA/B	RA14 36 AC1NB	RA14 36 AJ1NA/B	RA14 42 AC1NB
COMPRESSOR GROUP								
		Compressor ID:	8910	8918	8918	9022	8990	9023
40	Stk	Compressor	55-102045-96S	55-102045-97S	55-102045-31S	55-102045-90S	55-102045-66S	55-102045-19S
		Compressor Grommet (4)	56-18518-04	56-18518-04	56-18518-04	56-18518-04	56-18518-04	56-18518-06
		Compressor Bolt (4)	63-20072-07	63-20072-07	63-20072-07	63-20072-07	63-20072-07	63-20072-07
23	Stk	Capacitor - Compressor/Fan	43-101665-60	43-101665-06	43-101665-10	N/A	43-101665-13	N/A
23	Stk	Capacitor - Fan	N/A	N/A	N/A	43-101666-65	N/A	43-101666-62
	Stk	Compressor Wiring Harness (Molded Plug)	45-100834-80	45-100834-80	45-100834-80	45-100834-80	45-100834-80	45-100834-80
25		Crankcase Heater	See Accessories					
		Filter Drier	See Coil Group					

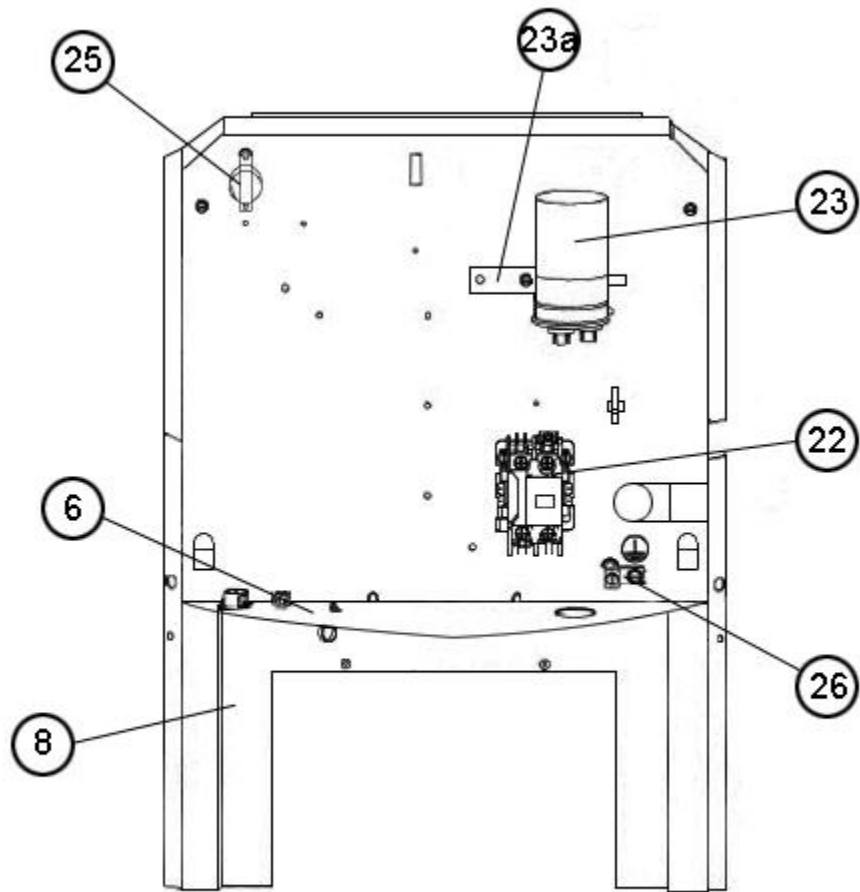
No.	Notes	MODEL COOLING CAPACITY VARIATION	RA14 42 AJ1NA/B	RA14 48 AC1NB	RA14 48 AJ1NA/B	RA14 60 AC1NB	RA14 60 AJ1NA/B	
COMPRESSOR GROUP								
		Compressor ID:	8921	9024	8922	9025	8923	
40	Stk	Compressor	55-102045-15S	55-102045-08S	55-102045-06S	55-102045-130S	55-102045-101S	
		Compressor Grommet (4)	56-18518-06	56-18518-06	56-18518-06	56-18518-06	56-18518-06	
		Compressor Bolt (4)	63-20072-07	63-20072-07	63-20072-07	63-20072-07	63-20072-07	
23	Stk	Capacitor - Compressor/Fan	43-101665-42	N/A	43-101665-42	N/A	43-101665-59	
23		Capacitor - Fan	N/A	43-101666-62	N/A	43-101666-62	N/A	
	Stk	Compressor Wiring Harness (Molded Plug)	45-100834-80	45-100834-80	45-100834-80	45-100834-80	45-100834-80	
25		Crankcase Heater	See Accessories			44-101884-13	44-101884-13	
		Filter Drier	See Coil Group					

No.	Notes	MODEL COOLING CAPACITY VARIATION	RA14 18 AJ1NA/B	RA14 24 AJ1NA/B	RA14 30 AJ1NA/B	RA14 36 AC1NB	RA14 36 AJ1NA/B	RA14 42 AC1NB
ACCESSORIES								
		Low Ambient Control	RXAD-A08	RXAD-A08	RXAD-A08	RXAD-A08	RXAD-A08	RXAD-A08
		Compressor Crankcase Heater	44-17402-44	44-17402-44	44-17402-44	44-17402-44	44-17402-44	44-17402-45
		Compressor Sound Cover	68-23427-26	68-23427-26	68-23427-26	68-23427-26	68-23427-26	68-23427-25
		Compressor Hard Start Kit	SK-A1	SK-A1	SK-A1	SK-A1	SK-A1	SK-A1

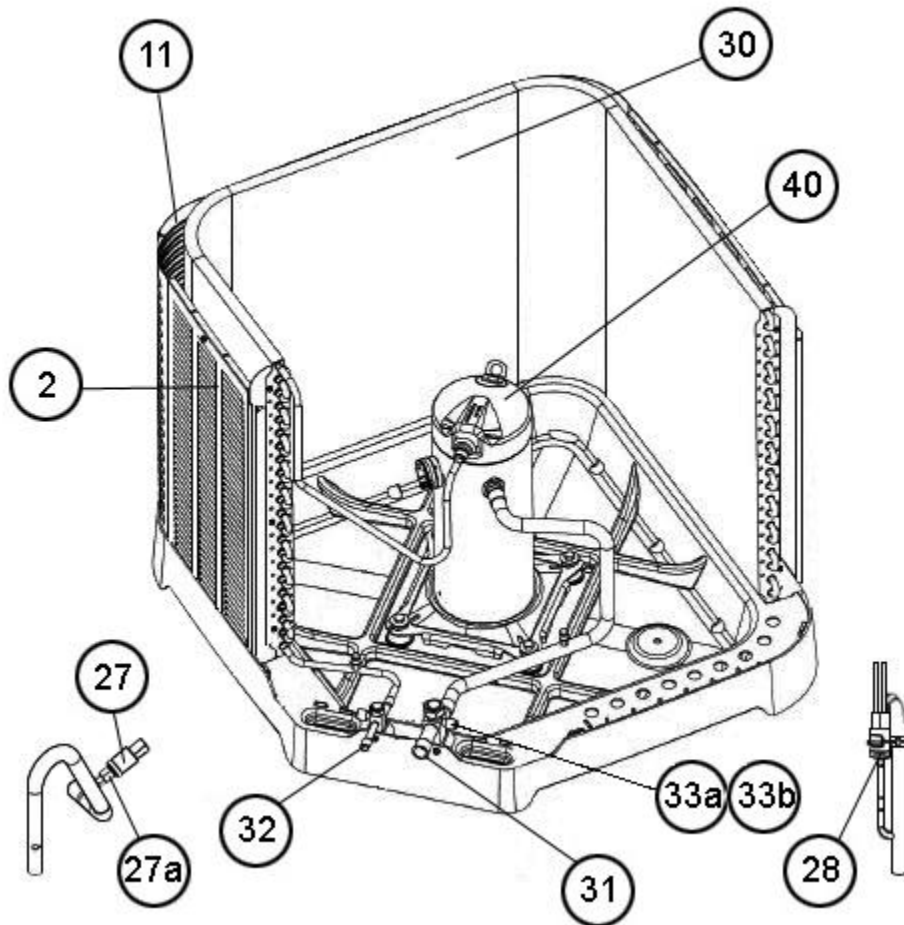
No.	Notes	MODEL COOLING CAPACITY VARIATION	RA14 42 AJ1NA/B	RA14 48 AC1NB	RA14 48 AJ1NA/B	RA14 60 AC1NB	RA14 60 AJ1NA/B	
ACCESSORIES								
		Low Ambient Control	RXAD-A08	RXAD-A08	RXAD-A08	RXAD-A08	RXAD-A08	
		Compressor Crankcase Heater	44-17402-45	44-17402-45	44-17402-45	Factory Standard		
		Compressor Sound Cover	68-23427-25	68-23427-25	68-23427-25	68-23427-25	68-23427-25	
		Compressor Hard Start Kit	SK-A1	SK-A1	SK-A1	SK-A1	SK-A1	



Exploded View



Control Box



Valve Mounting, Compressor

NOTES

Stk It is recommended that stock be maintained for this part.
N/A Not Applicable

DISCLAIMER: This document is intended to provide general replacement parts information to aid qualified service personnel in the repair of these models. The complete Model and Serial Number of the unit under repair should be specified when selecting and ordering replacement parts. Specifications and illustrations are subject to change without notice. Document 92-42800-RA14 supersedes all previous parts lists for these models. See <http://www.rheempartslists.net/92-42800-RA14> for the latest revision of this document. The manufacturer assumes no obligation for errors or omissions. Service personnel must verify the proper and safe operation of equipment after the replacement of any original components.