



The new degree of comfort.™

SUBMITTAL COVER SHEET

PROJECT NAME _____

LOCATION _____

ARCHITECT _____

ENGINEER _____

CONTRACTOR _____

SUBMITTED BY _____ DATE _____

UNIT SUMMARY

Quantity						
Unit Designation						
Model No.						
Total Cooling						
Sensible Cooling						
Air Ent. Evaporator						
Air Lvg. Evaporator						
Heating Input						
Heating Output						
CFM/ESP						
EER/SEER						
Electrical						
Minimum Ampacity						
Min.-Max. Breaker						
Net Unit Weight						
Accessory						
Catalog Form Number						

ACCESSORIES:

NOTES:



SUBMITTAL SHEET FOR 14PJM SERIES 1 1/2 TO 5 NOMINAL TON [5.28 TO 17.58 kW], 14.5 SEER HEAT PUMP UNITS

JOB NAME _____ LOCATION _____
 CONTRACTOR _____ ORDER NO. _____
 ENGINEER _____ UNIT MODEL NO. _____
 SUBMITTED FOR APPROVAL RECORD COIL MODEL NO. _____
 DATE _____ AIR HANDLER MODEL NO. _____

UNIT DATA

COOLING PERFORMANCE

EFFICIENCY SEER
 TOTAL CAPACITY* MBH [kW]
 SENSIBLE CAPACITY* MBH [kW]
 OUTDOOR DESIGN TEMP °F [°C] DB
 TEMP. OF AIR ENTERING
 EVAPORATOR COIL °F [°C] DB
 °F [°C] WB
 POWER INPUT REQUIREMENT kW
 (*uses blower motor heat)

HEATING PERFORMANCE

EFFICIENCY HSPF
 TOTAL CAPACITY* MBH [kW]
 OUTDOOR DESIGN TEMP °F [°C] DB
 TEMP. OF AIR ENTERING
 EVAPORATOR COIL °F [°C] DB

SUPPLY AIR BLOWER PERFORMANCE

TOTAL AIR SUPPLY CFM [L/s]
 TOTAL RESISTANCE EXTERNAL
 TO UNIT IWG
 BLOWER SPEED RPM
 POWER OUTPUT REQUIREMENT BHP
 MOTOR RATING HP [W]
 POWER INPUT REQUIREMENT kW

ELECTRICAL DATA

POWER SUPPLY Hz
 TOTAL UNIT AMPACITY AMPS
 MINIMUM WIRE SIZE AWG
 MAXIMUM OVERCURRENT DEVICE
 FUSES/HACR BREAKER AMPS

CLEARANCES

ACCESS SIDE 24" [609.6 mm]
 AIR INLETS 12" [304.8 mm]
 ABOVE UNIT 60" [1524 mm]

FEATURES FOR 14PJM SERIES HEAT PUMP UNITS 1 1/2 TO 5 NOMINAL TON [5.28 TO 17.58 kW]

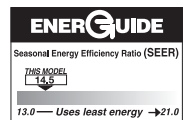
- Rheem *Value Series* remote heat pumps offer comfort and dependability for single, multi-family and light commercial applications.
- Painted louvered steel cabinet
- Easily accessible control box
- Condenser coils constructed with copper tubing and enhanced aluminum fins
- Grille/Motor mount for quiet fan operation
- Filter Drier (shipped – not installed)

ACCESSORIES/OPTIONS

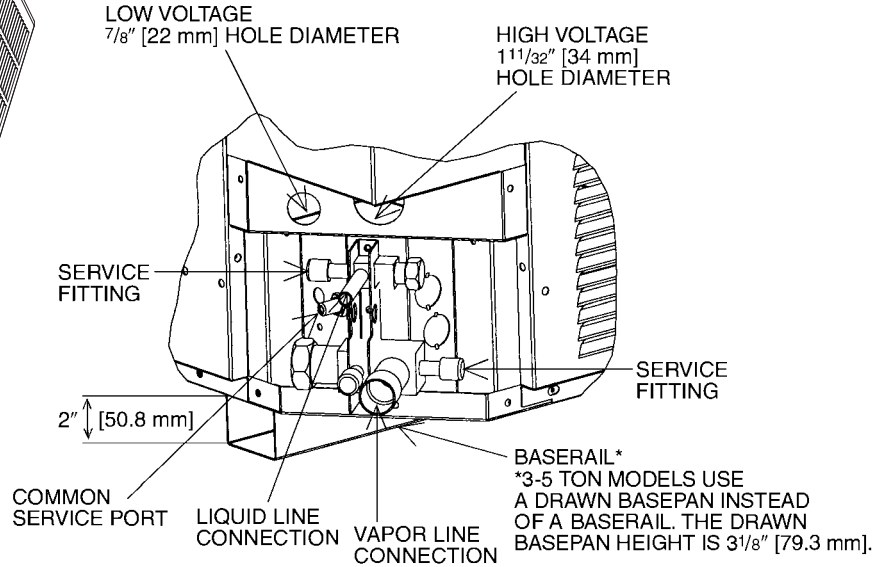
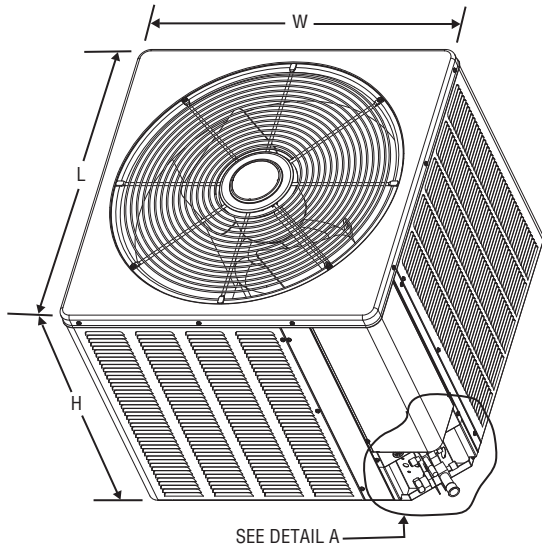
- Outdoor Thermostats
 High Pressure Control (Model No. RXAB-A07)
 Low Ambient Control (Model No. RXAD-A08)
 Compressor Time Delay Control (Model No. RXMD-B01)
 Sound Enclosure*



(IN CERTAIN
MATCHED SYSTEMS)



14PJM 18, 24, 30,
36, 42, 48, 60



DETAIL A

Model No. 14PJM	Unit Dimensions		
	Width "W" Inches [mm]	Length "L" Inches [mm]	Height "H"* Inches [mm]
18, 24	27 ⁵ / ₈ [701.6]	27 ⁵ / ₈ [701.6]	26 ¹ / ₄ [666.7]
30	31 ⁵ / ₈ [803.2]	31 ⁵ / ₈ [803.2]	27 ³ / ₈ [695.3]
36, 42, 48, 60	31 ⁵ / ₈ [803.2]	31 ⁵ / ₈ [803.2]	35 ³ / ₈ [899]

[] Designates Metric Conversions

NOTES:

Before proceeding with installation, refer to installation instructions packaged with each model, as well as complying with all Federal, State, Provincial, and Local codes, regulations, and practices.

Rheem Sales Company, Inc.
P.O. Box 17010, Fort Smith, AR 72917

"In keeping with its policy of continuous progress and product improvement, Rheem reserves the right to make changes without notice."