



14AJM

Parts List
02-April-2014



*This parts list is current as of the above revision date.
See <http://www.rheempartslists.net/92-42805-14AJM.pdf> for the current revision.*

Condensing Units

Table of Contents

Model Explanation	Page 3
Parts Numbers	
Panels - Miscellaneous (Granite-Steel Gray)	Page 4
Panels - Miscellaneous (Neutra Green)	Page 5
Electrical-Fan Group	Page 6
Coil Parts	Page 6
Compressor Group	Page 7
Accessories	Page 8
Drawings/Photographs	
Exploded View	Page 9
Valve Mounting Detail	Page 10
Control Box	Page 11
Notes/Disclaimer	Page 12

MODEL NUMBER EXPLANATION

1	4	A	J	M	1	8	A	0	1
1		2	3	4	5		6	7	

- | | |
|--|--|
| <p>(1) SEER
14 = SEER Rating</p> <p>(2) MODEL
A = Air Conditioner</p> <p>(3) VOLTAGE
J = 208-230/1/60</p> <p>(4) DESIGN SERIES</p> | <p>(5) COOLING CAPACITY (BTU/HR)
018,019 = 18,000
024,025 = 24,000
030 = 30,000
036 = 36,000
042 = 42,000
048 = 48,000
049 = 47,000
056 = 54,000
060 = 60,000</p> <p>(6) CABINET</p> <p>(7) NAMEPLATE</p> |
|--|--|

SERIAL NUMBER EXPLANATION

7	0	9	3	N	0	7	0	1	9	9	9	9	9
	1			2		3		4			5		

- (1) **COMPRESSOR IDENTIFICATION NUMBER**
- (2) **PRODUCTION LOCATION**
- (3) **WEEK OF PRODUCTION**
- (4) **YEAR OF PRODUCTION**
- (5) **PRODUCTION NUMBER**

No.	Notes	MODEL COOLING CAPACITY VARIATION	14AJM 18 A01	14AJM 19 A01	14AJM 24 A01	14AJM 25 A01
SHEET METAL PARTS, MISCELLANEOUS (Granite/Steel Gray, After Date Code 4811)						
1		Cabinet	AE-100726-83	AE-100726-82	AE-100726-83	AE-100726-82
2		Cabinet Panel	AE-100727-83	AE-100727-86	AE-100727-83	AE-100727-82
3		Base Pan	AE-101588-03	AE-100069-02	AE-101588-03	AE-100069-02
4		Control Box	AE-100654-81	AE-100654-81	AE-100654-81	AE-100654-81
5		Control Box Cover	AE-100657-81	AE-100657-81	AE-100657-81	AE-100657-81
6		Top Panel	AE-100652-83	AE-100652-82	AE-100652-83	AE-100652-82
8		Grille	95-100906-04	95-102925-03	95-100906-04	95-103944-01
		Center Cap - Blank (for Grille)	91-101123-09	91-101123-09	91-101123-09	91-101123-09
12		Valve Mounting Panel	AE-57780-01	AE-57780-01	AE-57780-01	AE-57780-01
14		Service Valve - Suction	See Coil Group			
15		Service Valve - Liquid	See Coil Group			
17		Low Voltage Cover	AE-57756-01	AE-57756-01	AE-57756-01	AE-57756-01
		Touch-up Paint - Gray (Aerosol)	523018	523018	523018	523018
		Touch-up Paint - Gray (Paint Pens)	523019	523019	523019	523019

No.	Notes	MODEL COOLING CAPACITY VARIATION	14AJM 30 A01	14AJM 36 A01	14AJM 42 A01	14AJM 48 A01
SHEET METAL PARTS, MISCELLANEOUS (Granite/Steel Gray, After Date Code 4811)						
1		Cabinet	AE-100726-83	AE-100726-84	AE-100726-84	AE-100726-84
2		Cabinet Panel	AE-100727-83	AE-100727-84	AE-100727-84	AE-100727-84
3		Base Pan	AE-101588-03	AE-101588-03	AE-101588-03	AE-101588-03
4		Control Box	AE-100654-81	AE-100654-83	AE-100654-83	AE-100654-84
5		Control Box Cover	AE-100657-81	AE-100657-81	AE-100657-81	AE-100657-81
6		Top Panel	AE-100652-83	AE-100652-83	AE-100652-83	AE-100652-83
8		Grille	95-100906-04	95-100906-04	95-100906-04	95-100906-04
		Center Cap - Blank (for Grille)	91-101123-09	91-101123-09	91-101123-09	91-101123-09
12		Valve Mounting Panel	AE-57780-01	AE-100185-81	AE-100185-81	AE-100185-81
14		Service Valve - Suction	See Coil Group			
15		Service Valve - Liquid	See Coil Group			
17		Low Voltage Cover	AE-57756-01	AE-57756-01	AE-57756-01	AE-57756-01
		Touch-up Paint - Gray (Aerosol)	523018	523018	523018	523018
		Touch-up Paint - Gray (Paint Pens)	523019	523019	523019	523019

No.	Notes	MODEL COOLING CAPACITY VARIATION	14AJM 49 A01	14AJM 56 A01	14AJM 60 A01	
SHEET METAL PARTS, MISCELLANEOUS (Granite/Steel Gray, After Date Code 4811)						
1		Cabinet	AE-100726-84	AE-100726-84	AE-100726-84	
2		Cabinet Panel	AE-100727-84	AE-100727-84	AE-100727-84	
3		Base Pan	AE-101588-03	AE-101588-03	AE-101588-03	
4		Control Box	AE-100654-83	AE-100654-84	AE-100654-84	
5		Control Box Cover	AE-100657-81	AE-100657-81	AE-100657-81	
6		Top Panel	AE-100652-83	AE-100652-83	AE-100652-83	
8		Grille	95-100906-04	95-100906-04	95-100906-04	
		Center Cap - Blank (for Grille)	91-101123-09	91-101123-09	91-101123-09	
12		Valve Mounting Panel	AE-100185-81	AE-100185-81	AE-100185-81	
14		Service Valve - Suction	See Coil Group			
15		Service Valve - Liquid	See Coil Group			
17		Low Voltage Cover	AE-57756-01	AE-57756-01	AE-57756-01	
		Touch-up Paint - Gray (Aerosol)	523018	523018	523018	
		Touch-up Paint - Gray (Paint Pens)	523019	523019	523019	

No.	Notes	MODEL COOLING CAPACITY VARIATION	14AJM 18 A01	14AJM 24 A01	14AJM 30 A01	14AJM 36 A01
SHEET METAL PARTS, MISCELLANEOUS (Neutra Green, Before Date Code 4811)						
1		Cabinet	AE-100726-53	AE-100726-53	AE-100726-53	AE-100726-54
2		Cabinet Panel	AE-100727-53	AE-100727-53	AE-100727-53	AE-100727-54
3		Base Pan	AE-101588-03	AE-101588-03	AE-101588-03	AE-101588-03
4		Control Box	AE-100654-51	AE-100654-51	AE-100654-51	AE-100654-53
5		Control Box Cover	AE-100657-51	AE-100657-51	AE-100657-51	AE-100657-51
6		Top Panel	AE-100652-53	AE-100652-53	AE-100652-53	AE-100652-53
8		Grille	95-100906-04	95-100906-04	95-100906-04	95-100906-04
		Center Cap - Blank (for Grille)	91-101123-09	91-101123-09	91-101123-09	91-101123-09
12		Valve Mounting Panel	AE-57780-01	AE-57780-01	AE-57780-01	AE-100185-51
14		Service Valve - Suction	See Coil Group			
15		Service Valve - Liquid	See Coil Group			
17		Low Voltage Cover	AE-57756-01	AE-57756-01	AE-57756-01	AE-57756-01
		Touch-up Paint (Aerosol)	52-18662-48	52-18662-48	52-18662-48	52-18662-48
		Touch-up Paint (Paint Pens)	523010	523010	523010	523010

No.	Notes	MODEL COOLING CAPACITY VARIATION	14AJM 42 A01	14AJM 48 A01	14AJM 49 A01	14AJM 56 A01
SHEET METAL PARTS, MISCELLANEOUS (Neutra Green, Before Date Code 4811)						
1		Cabinet	AE-100726-54	AE-100726-54	AE-100726-54	AE-100726-54
2		Cabinet Panel	AE-100727-54	AE-100727-54	AE-100727-54	AE-100727-54
3		Base Pan	AE-101588-03	AE-101588-03	AE-101588-03	AE-101588-03
4		Control Box	AE-100654-53	AE-100654-54	AE-100654-54	AE-100654-54
5		Control Box Cover	AE-100657-51	AE-100657-51	AE-100657-51	AE-100657-51
6		Top Panel	AE-100652-53	AE-100652-53	AE-100652-53	AE-100652-53
8		Grille	95-100906-04	95-100906-04	95-100906-04	95-100906-04
		Center Cap - Blank (for Grille)	91-101123-09	91-101123-09	91-101123-09	91-101123-09
12		Valve Mounting Panel	AE-100185-51	AE-100185-51	AE-100185-51	AE-100185-51
14		Service Valve - Suction	See Coil Group			
15		Service Valve - Liquid	See Coil Group			
17		Low Voltage Cover	AE-57756-01	AE-57756-01	AE-57756-01	AE-57756-01
		Touch-up Paint (Aerosol)	52-18662-48	52-18662-48	52-18662-48	52-18662-48
		Touch-up Paint (Paint Pens)	523010	523010	523010	523010

No.	Notes	MODEL COOLING CAPACITY VARIATION	14AJM 60 A01			
SHEET METAL PARTS, MISCELLANEOUS (Neutra Green, Before Date Code 4811)						
1		Cabinet	AE-100726-54			
2		Cabinet Panel	AE-100727-54			
3		Base Pan	AE-101588-03			
4		Control Box	AE-100654-54			
5		Control Box Cover	AE-100657-51			
6		Top Panel	AE-100652-53			
8		Grille	95-100906-04			
		Center Cap - Blank (for Grille)	91-101123-09			
12		Valve Mounting Panel	AE-100185-51			
14		Service Valve - Suction	See Coil Group			
15		Service Valve - Liquid	See Coil Group			
17		Low Voltage Cover	AE-57756-01			
		Touch-up Paint (Aerosol)	52-18662-48			
		Touch-up Paint (Paint Pens)	523010			

No.	Notes	MODEL COOLING CAPACITY VARIATION	14AJM 18 A01	14AJM 19 A01	14AJM 24 A01	14AJM 25 A01	14AJM 30 A01	14AJM 36 A01
ELECTRICAL/FAN GROUP								
7	Stk	Fan Motor - Before W2710	51-101774-02	N/A	51-101774-02	N/A	N/A	51-102870-03
7	Stk	Fan Motor - After W2710	51-101774-02	N/A	51-101774-02	N/A	N/A	51-102008-08
7	Stk	Fan Motor - Before W2212	N/A	51-101774-04	N/A	51-101774-14	51-102870-01	N/A
7	Stk	Fan Motor - After W2212	N/A	51-101774-04	N/A	51-101774-14	51-101774-15	N/A
9	Stk	Fan Blade - Before W2212	70-102011-03	70-102011-08	70-102011-03	70-102011-08	70-21858-17	70-21858-17
9	Stk	Fan Blade - After W2212	70-102011-03	70-102011-08	70-102011-03	70-102011-08	70-102011-03	70-21858-17
16	Stk	Contactora	42-42478-03	42-42478-03	42-42478-03	42-42478-03	42-42478-03	42-42478-03
17		Low Voltage Cover	See Panels - Miscellaneous					
18		Control Box Bottom	AE-100655-01	AE-100655-01	AE-100655-01	AE-100655-01	AE-100655-01	AE-100655-01
19		Capacitor	See Compressor Group					

No.	Notes	MODEL COOLING CAPACITY VARIATION	14AJM 42 A01	14AJM 48 A01	14AJM 49 A01	14AJM 56 A01	14AJM 60 A01	
ELECTRICAL/FAN GROUP								
7	Stk	Fan Motor - Before W1112	51-102728-13	51-102728-12	51-102728-13	51-102728-13	51-102728-12	
7	Stk	Fan Motor - After W1112	51-102728-13	51-102008-09	51-102728-13	51-102728-13	51-102008-09	
9	Stk	Fan Blade	70-21858-17	70-21858-17	70-21858-17	70-21858-17	70-21858-17	
16	Stk	Contactora	42-42478-03	42-102851-02	42-102851-02	42-42478-02	42-102851-03	
17		Low Voltage Cover	See Panels - Miscellaneous					
18		Control Box Bottom	AE-100655-01	AE-100655-01	AE-100655-01	AE-100655-01	AE-100655-01	
19		Capacitor	See Compressor Group					

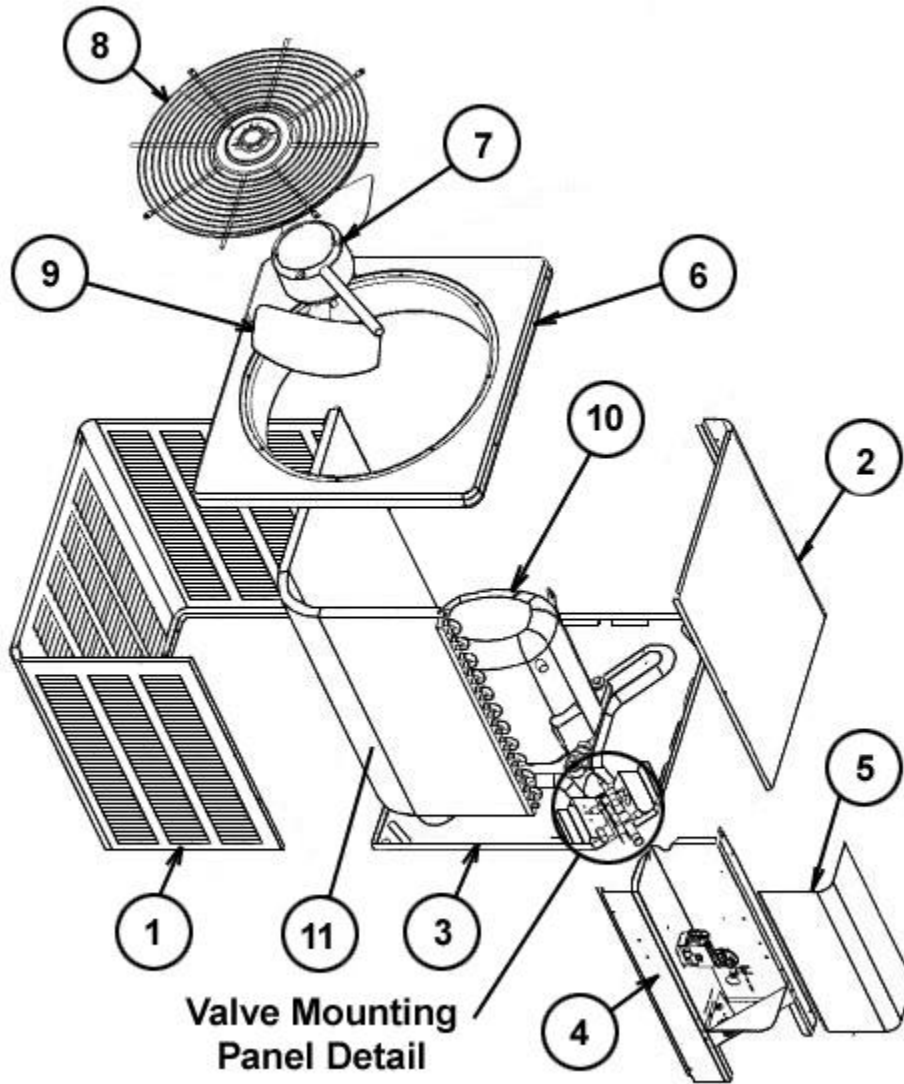
No.	Notes	MODEL COOLING CAPACITY VARIATION	14AJM 18 A01	14AJM 19 A01	14AJM 24 A01	14AJM 25 A01	14AJM 30 A01	14AJM 36 A01
COIL GROUP								
11	Stk	Condenser Coil	AS-103077-03	AS-104335-03	AS-101761-03	AS-104336-03	AS-101761-03	AS-102486-03
13		Valve Mounting Bracket	AE-57781-01	AE-57781-01	AE-57781-01	AE-57781-01	AE-57781-01	AE-57781-01
14		Service Valve - Suction	61-21368-07	61-21368-07	61-21368-07	61-21368-07	61-21368-07	61-21368-07
15		Service Valve - Liquid	61-21368-05	61-21368-25	61-21368-05	61-21368-25	61-21368-05	61-21368-05
		Distributor - Two Way (1/2 in. to 1/2 in.)	83-19988-01	83-19988-01	N/A	83-19988-01	N/A	N/A
		Distributor - Three Way (3/8 in. to 3/8 in.)	N/A	N/A	83-17467-07	N/A	83-17467-07	N/A
		Filter Drier	83-22755-12	83-22755-12	83-22755-12	83-22755-12	83-22755-12	83-22755-12

No.	Notes	MODEL COOLING CAPACITY VARIATION	14AJM 42 A01	14AJM 48 A01	14AJM 49 A01	14AJM 56 A01	14AJM 60 A01	
COIL GROUP								
11	Stk	Condenser Coil	AS-103081-03	AS-102980-01	AS-102980-01	AS-102980-01	AS-102980-01	
13		Valve Mounting Bracket	AE-57781-02	AE-57781-02	AE-57781-02	AE-57781-02	AE-57781-02	
14		Service Valve - Suction	61-21368-08	61-21368-08	61-21368-08	61-21368-08	61-21368-08	
15		Service Valve - Liquid	61-21368-05	61-21368-05	61-21368-05	61-21368-05	61-21368-05	
		Filter Drier	83-22755-12	83-22755-12	83-22755-12	83-22755-12	83-22755-12	

No.	Notes	MODEL COOLING CAPACITY VARIATION	14AJM 18 A01	14AJM 19 A01	14AJM 24 A01	14AJM 25 A01	14AJM 30 A01	14AJM 36 A01
COMPRESSOR GROUP								
		Compressor ID:	7993	8617	7994	8618	7995	7996
10	Stk	Compressor	55-102045-14S	55-102045-82S	55-102045-24S	55-102045-24S	55-102045-31S	55-102045-03
		Grommet (4)	56-18518-04	56-18518-04	56-18518-04	56-18518-04	56-18518-04	56-18518-04
19	Stk	Capacitor - Compressor (Before W2710)	N/A	N/A	N/A	N/A	N/A	43-100510-37
19	Stk	Capacitor - Compressor/Fan (Before W2710)	43-26261-40	N/A	43-101665-44	N/A	N/A	N/A
19	Stk	Capacitor - Compressor/Fan (After W2710)	43-26261-40	N/A	43-101665-44	N/A	N/A	43-101665-41
19	Stk	Capacitor - Compressor (Before W2212)	N/A	N/A	N/A	N/A	43-100510-24	N/A
19	Stk	Capacitor - Compressor/Fan (After W2212)	N/A	N/A	N/A	N/A	43-101665-09	N/A
19	Stk	Capacitor - Compressor/Fan	N/A	43-101665-40	N/A	43-101665-04	N/A	N/A
	Stk	Compressor Wiring Harness (Molded Plug)	45-100834-80	45-100834-80	45-100834-80	45-100834-80	45-100834-80	45-100834-80
		Crankcase Heater	N/A	N/A	N/A	N/A	N/A	N/A
		Compressor ID:				9002		
10	Stk	Compressor				55-102045-97S		
		Grommet (4)				56-18518-04		
19	Stk	Capacitor - Compressor/Fan				43-101665-04		
	Stk	Compressor Wiring Harness (Molded Plug)				45-100834-80		

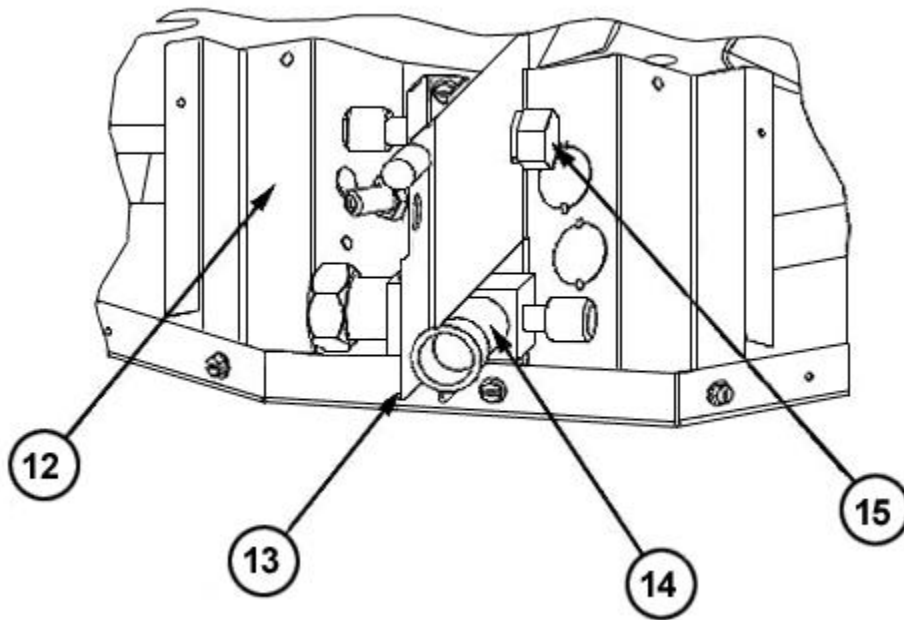
No.	Notes	MODEL COOLING CAPACITY VARIATION	14AJM 42 A01	14AJM 48 A01	14AJM 49 A01	14AJM 56 A01	14AJM 60 A01	
COMPRESSOR GROUP								
		Compressor ID:	7997	7998	8254	8255	7999	
10	Stk	Compressor	55-102045-15S	55-102045-09S	55-102045-06S	55-102045-58S	55-102045-26S	
		Grommet (4)	56-18518-06	56-18518-06	56-18518-06	56-18518-06	56-18518-06	
19	Stk	Capacitor - Compressor (Before W1112)	43-100510-37	43-100510-29	43-101666-37	43-100510-29	43-100510-29	
19	Stk	Capacitor - Compressor/Fan (Before W1112)	N/A	N/A	N/A	N/A	N/A	
19	Stk	Capacitor - Compressor (After W1112)	43-100510-37	N/A	43-101666-37	43-100510-29	N/A	
19	Stk	Capacitor - Compressor/Fan (After W1112)	N/A	43-101665-53	N/A	N/A	43-101665-53	
	Stk	Compressor Wiring Harness (Molded Plug)	45-100834-80	45-100834-80	45-100834-80	45-100834-80	45-100834-80	
	Stk	Crankcase Heater	N/A	44-101884-01	44-101884-01	44-101884-01	44-101884-01	

No.	Notes	MODEL COOLING CAPACITY VARIATION	14AJM ALL ALL
ACCESORIES			
		Low Ambient Control	RXAD-A07
		Compressor Time Delay Control	RXMD-B01
		High Pressure Control	RXAB-A07
		Low Pressure Control	RXAC-A07

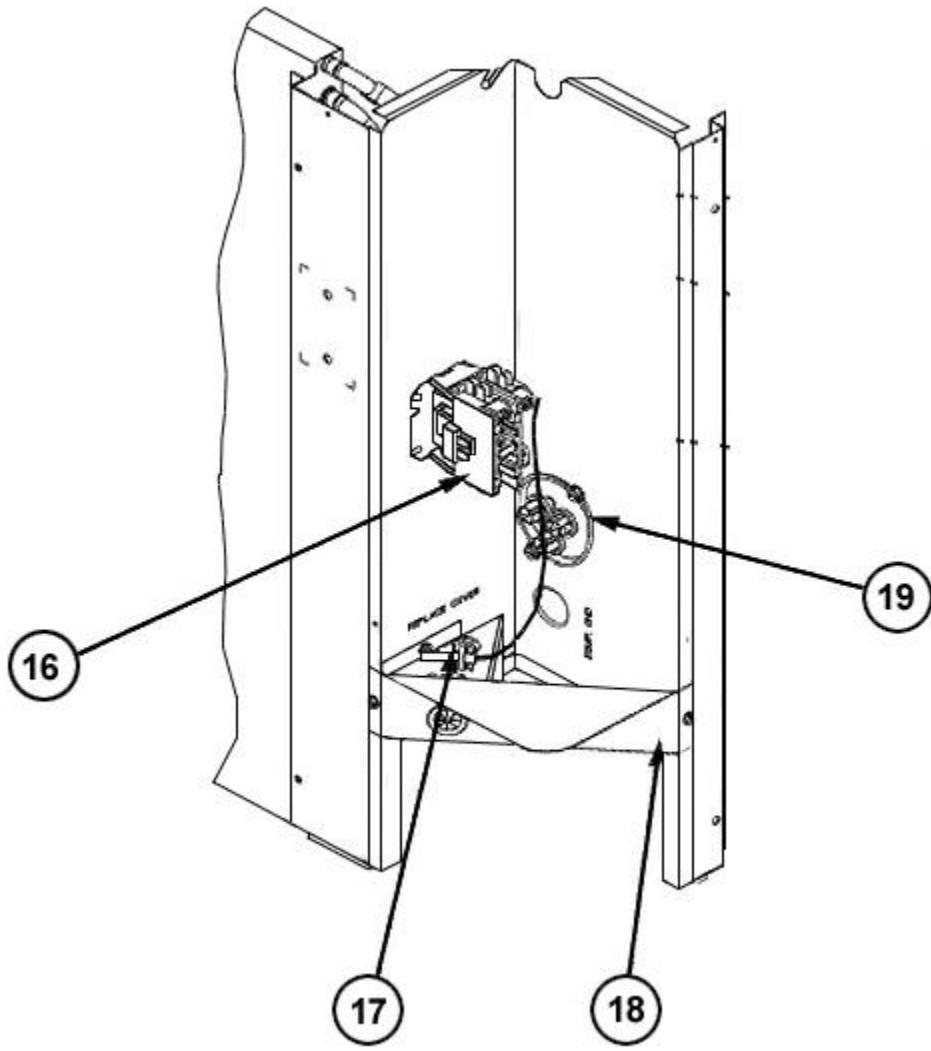


**Valve Mounting
Panel Detail**

Exploded View



Valve Mounting Detail



Control Box

NOTES

Stk It is recommended that stock be maintained for this part.
N/A Not Applicable

DISCLAIMER: This document is intended to provide general replacement parts information to aid qualified service personnel in the repair of these models. The complete Model and Serial Number of the unit under repair should be specified when selecting and ordering replacement parts. Specifications and illustrations are subject to change without notice. Document 92-42805-14AJM supersedes all previous parts lists for these models. See <http://www.rheempartslists.net/92-42805-14AJM> for the latest revision of this document. The manufacturer assumes no obligation for errors or omissions. Service personnel must verify the proper and safe operation of equipment after the replacement of any original components.