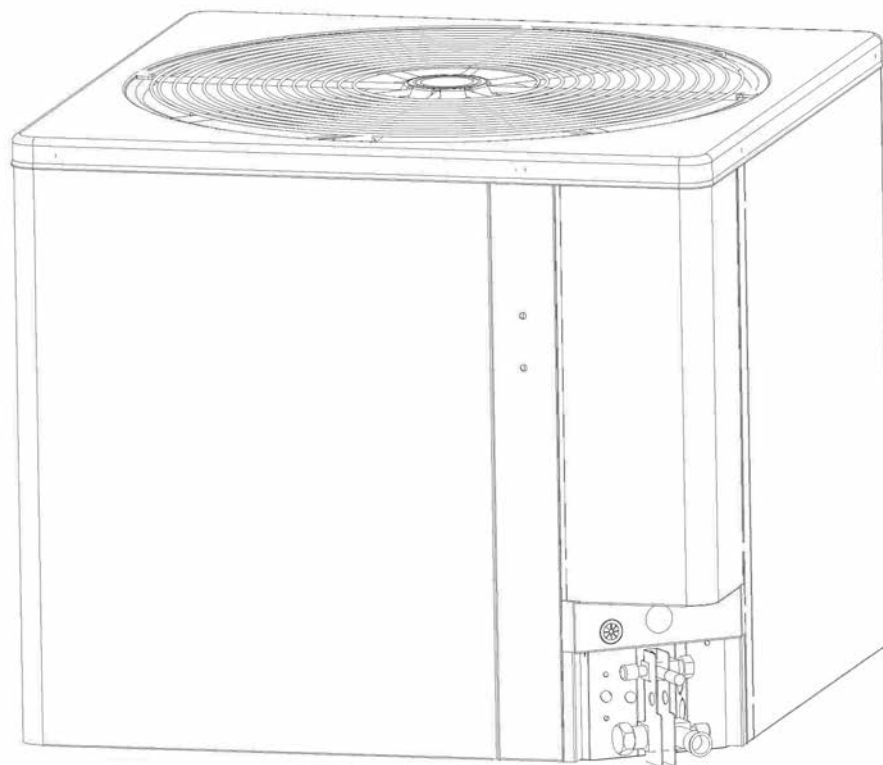


# INSTALLATION INSTRUCTIONS

## 13 & 14.5 SEER SERIES CONDENSING UNITS 1½ - 5 TONS FEATURING INDUSTRY STANDARD R-410A REFRIGERANT ~~R-410A~~



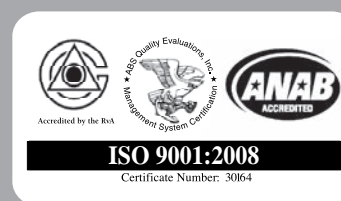
NOTE: Appearance of unit may vary.



RECOGNIZE THIS SYMBOL AS AN INDICATION OF IMPORTANT SAFETY INFORMATION!

### ▲ WARNING

THESE INSTRUCTIONS ARE INTENDED AS AN AID TO QUALIFIED, LICENSED SERVICE PERSONNEL FOR PROPER INSTALLATION, ADJUSTMENT AND OPERATION OF THIS UNIT. READ THESE INSTRUCTIONS THOROUGHLY BEFORE ATTEMPTING INSTALLATION OR OPERATION. FAILURE TO FOLLOW THESE INSTRUCTIONS MAY RESULT IN IMPROPER INSTALLATION, ADJUSTMENT, SERVICE OR MAINTENANCE POSSIBLY RESULTING IN FIRE, ELECTRICAL SHOCK, PROPERTY DAMAGE, PERSONAL INJURY OR DEATH.



**DO NOT DESTROY THIS MANUAL**

**PLEASE READ CAREFULLY AND KEEP IN A SAFE PLACE FOR FUTURE REFERENCE BY A SERVICEMAN**



# TABLE OF CONTENTS

<b>1.0 SAFETY INFORMATION</b>	<b>3</b>
<b>2.0 GENERAL</b>	<b>4</b>
2.1 Checking Product Received	4
2.2 Application	4
2.3 Dimensions	5
2.4 Electrical and Physical Data	6
<b>3.0 LOCATING UNIT</b>	<b>7</b>
3.1 Corrosive Environment	7
3.2 Condenser Location	7
3.3 Operational Issues	8
3.4 For Condensers With Space Limitations	8
3.5 Customer Satisfaction Issues	8
3.6 Proper Installation	8
3.7 Unit Mounting	8
3.8 Factory-Preferred Tie-Down Method for Outdoor Units	8
<b>4.0 REFRIGERANT CONNECTIONS</b>	<b>9</b>
<b>5.0 TOOLS REQUIRED FOR INSTALLING &amp; SERVICING R-410A MODELS</b>	<b>9</b>
5.1 Specifications of R-410A	9
5.2 Quick Reference Guide for R-410A	9
<b>6.0 REPLACEMENT UNITS</b>	<b>10</b>
<b>7.0 EVAPORATOR COIL</b>	<b>10</b>
<b>8.0 REPLACEMENT UNITS</b>	<b>10</b>
<b>9.0 INTERCONNECTING TUBING</b>	<b>10</b>
9.1 Vapor and Liquid Lines	10
9.2 Maximum Length of Lines	11
9.3 Outdoor Unit Installed Above Indoor Coil	11
9.4 Outdoor Unit Below Indoor Coil	11
9.5 Tubing Installation	11
9.6 Tubing Connections	12
9.7 Leak Testing	12
<b>10.0 CHECKING AIRFLOW</b>	<b>17</b>
<b>11.0 EVACUATION AND LEAK TESTING</b>	<b>17</b>
11.1 Evacuation Procedure	17
11.2 Final Leak Testing	18
<b>12.0 CHECKING REFRIGERANT CHARGE</b>	<b>18</b>
12.1 Charging Units With R-410A Refrigerant	18
12.2 Measurement Device Setup	19
12.3 Charging By Weight	19
12.4 Gross Charging By Pressures	20
12.5 Final Charge By Sub-Cooling	20
12.6 Finishing Up Installation	22
<b>13.0 ELECTRICAL WIRING</b>	<b>22</b>
13.1 Grounding	22
13.2 Power Wiring	22
13.3 Control Wiring	22
<b>14.0 FIELD INSTALLED ACCESSORIES</b>	<b>23</b>
14.1 Compressor Crankcase Heat (CCH)	23
14.2 Time Delay Control (TDC)	23
14.3 Low Ambient Control (LAC)	23
14.4 High and Low Pressure Controls (HPC & LPC)	24
<b>15.0 SERVICE</b>	<b>24</b>
15.1 Operation	24
15.2 Single-Pole Compressor Contactor (CC)	24
<b>16.0 TROUBLE SHOOTING</b>	<b>25</b>
16.1 Electrical Checks Flow Chart	25
16.2 Mechanical Checks Flow Chart	26
16.3 Superheat Calculation	27
16.4 Subcooling Calculation	27
16.5 General	28
Troubleshooting Chart	28
<b>17.0 WIRING DIAGRAMS</b>	<b>29</b>
17.1 PSC OD Fan Motor	29
17.2 ECM OD Fan Motor	30
17.3 PSC OD Fan Motor	31

# 1.0 SAFETY INFORMATION

## WARNING

THESE INSTRUCTIONS ARE INTENDED AS AN AID TO QUALIFIED LICENSED SERVICE PERSONNEL FOR PROPER INSTALLATION, ADJUSTMENT AND OPERATION OF THIS UNIT. READ THESE INSTRUCTIONS THOROUGHLY BEFORE ATTEMPTING INSTALLATION OR OPERATION. FAILURE TO FOLLOW THESE INSTRUCTIONS MAY RESULT IN IMPROPER INSTALLATION, ADJUSTMENT, SERVICE OR MAINTENANCE POSSIBLY RESULTING IN FIRE, ELECTRICAL SHOCK, PROPERTY DAMAGE, PERSONAL INJURY OR DEATH.

## WARNING

THE MANUFACTURER'S WARRANTY DOES NOT COVER ANY DAMAGE OR DEFECT TO THE HEAT PUMP CAUSED BY THE ATTACHMENT OR USE OF ANY COMPONENTS, ACCESSORIES OR DEVICES (OTHER THAN THOSE AUTHORIZED BY THE MANUFACTURER) INTO, ONTO OR IN CONJUNCTION WITH THE HEAT PUMP. YOU SHOULD BE AWARE THAT THE USE OF UNAUTHORIZED COMPONENTS, ACCESSORIES OR DEVICES MAY ADVERSELY AFFECT THE OPERATION OF THE HEAT PUMP AND MAY ALSO ENDANGER LIFE AND PROPERTY. THE MANUFACTURER DISCLAIMS ANY RESPONSIBILITY FOR SUCH LOSS OR INJURY RESULTING FROM THE USE OF SUCH UNAUTHORIZED COMPONENTS, ACCESSORIES OR DEVICES.

## WARNING

DISCONNECT ALL POWER TO UNIT BEFORE STARTING MAINTENANCE. FAILURE TO DO SO CAN CAUSE ELECTRICAL SHOCK RESULTING IN SEVERE PERSONAL INJURY OR DEATH.

## WARNING

DO NOT USE OXYGEN TO PURGE LINES OR PRESSURIZE SYSTEM FOR LEAK TEST. OXYGEN REACTS VIOLENTLY WITH OIL, WHICH CAN CAUSE AN EXPLOSION RESULTING IN SEVERE PERSONAL INJURY OR DEATH.

## WARNING

THE UNIT MUST BE PERMANENTLY GROUNDED. FAILURE TO DO SO CAN CAUSE ELECTRICAL SHOCK RESULTING IN SEVERE PERSONAL INJURY OR DEATH.

## WARNING

TURN OFF ELECTRIC POWER AT THE FUSE BOX OR SERVICE PANEL BEFORE MAKING ANY ELECTRICAL CONNECTIONS.

ALSO, THE GROUND CONNECTION MUST BE COMPLETED BEFORE MAKING LINE VOLTAGE CONNECTIONS. FAILURE TO DO SO CAN RESULT IN ELECTRICAL SHOCK, SEVERE PERSONAL INJURY OR DEATH.

## CAUTION

The filter drier is located inside the control box. The filter drier must be installed externally in the liquid line or the Warranty will be VOID!

## **WARNING**

**THE MANUFACTURER'S WARRANTY DOES NOT COVER ANY DAMAGE OR DEFECT TO THE AIR CONDITIONER CAUSED BY THE ATTACHMENT OR USE OF ANY COMPONENTS, ACCESSORIES OR DEVICES (OTHER THAN THOSE AUTHORIZED BY THE MANUFACTURER) INTO, ONTO OR IN CONJUNCTION WITH THE AIR CONDITIONER. YOU SHOULD BE AWARE THAT THE USE OF UNAUTHORIZED COMPONENTS, ACCESSORIES OR DEVICES MAY ADVERSELY AFFECT THE OPERATION OF THE AIR CONDITIONER AND MAY ALSO ENDANGER LIFE AND PROPERTY. THE MANUFACTURER DISCLAIMS ANY RESPONSIBILITY FOR SUCH LOSS OR INJURY RESULTING FROM THE USE OF SUCH UNAUTHORIZED COMPONENTS, ACCESSORIES OR DEVICES.**

## **2.0 GENERAL**

The information contained in this manual has been prepared to assist in the proper installation, operation and maintenance of the air conditioning system. Improper installation, or installation not made in accordance with these instructions, can result in unsatisfactory operation and/or dangerous conditions, and can cause the related warranty not to apply.

Read this manual and any instructions packaged with separate equipment required to make up the system prior to installation. Retain this manual for future reference.

To achieve optimum efficiency and capacity, the indoor cooling coils listed in the condensing unit specification sheet should be used.

**IMPORTANT:** We recommend replacement of any HVAC equipment that has been subjected to flooding in order to avoid any risk of injury or harm.

**IMPORTANT:** Use all available safety precautions during the installation and servicing of any HVAC equipment.

### **2.1 CHECKING PRODUCT RECEIVED**

Upon receiving unit, inspect it for any shipping damage. Claims for damage, either apparent or concealed, should be filed immediately with the shipping company. Check condensing unit model number, electrical characteristics and accessories to determine if they are correct and match the original order from the local distributor. Check system components (evaporator coil, condensing unit, evaporator blower, etc.) to make sure they are properly matched.

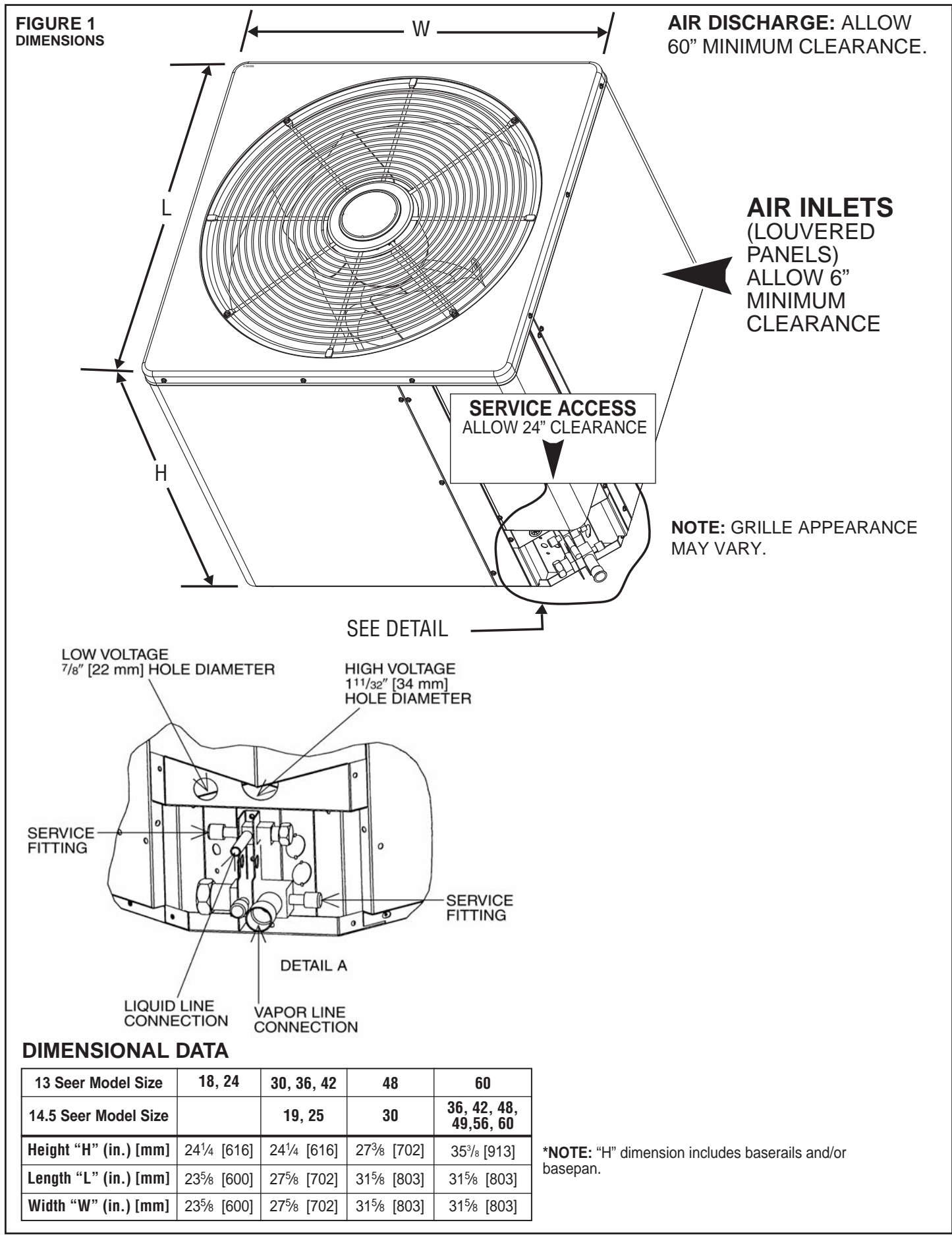
### **2.2 APPLICATION**

Before installing any air conditioning equipment, a duct analysis of the structure and a heat gain calculation must be made. A heat gain calculation begins by measuring all external surfaces and openings that gain heat from the surrounding air and quantifying that heat gain. A heat gain calculation also calculates the extra heat load caused by sunlight and by humidity removal.

There are several factors that the installers must consider:

- Outdoor unit location
- System refrigerant charge
- Indoor unit blower speed
- System air balancing
- Proper equipment evacuation
- Indoor unit airflow
- Supply and return air duct design and sizing
- Diffuser and return air grille location and sizing

2.3 (SEE FIGURE 1)



## 2.4 ELECTRICAL & PHYSICAL DATA (SEE TABLE 1)

**TABLE 1**  
ELECTRICAL AND PHYSICAL DATA – 13 SEER

Model Number 13 SEER 1-PHASE	Phase Frequency (Hz) Voltage (Volts)	Electrical						Physical					
		Compressor		Fan Motor Full Load Amperes (FLA)	Minimum Circuit Ampacity Amperes	Fuse or HACR Circuit Breaker		Outdoor Coil			Refrig. Per Circuit Oz. [g]	Weight	
		Rated Load Amperes (RLA)	Locked Rotor Amperes (LRA)			Minimum Amperes	Maximum Amperes	Face Area Sq. Ft. [m <sup>2</sup> ]	No. Rows	CFM [L/s]		Net Lbs. [kg]	Shipping Lbs. [kg]
Rev. 1/14/2011													
18	1-60-208/230	9/9	46	0.6	12/12	15/15	20/20	7.13 [0.66]	1	1415 [668]	67.4 [1911]	120 [54.4]	128 [58.1]
24	1-60-208/230	13.5/13.5	58.3	0.6	18/18	25/25	30/30	8.43 [0.78]	1	1665 [786]	67.8 [1922]	121 [54.9]	129 [58.5]
30	1-60-208/230	12.8/12.8	64	0.8	17/17	25/25	25/25	8.7 [0.81]	1	2075 [979]	75 [2126]	139 [63.1]	147 [66.7]
36	1-60-208/230	16.7/16.7	79	0.8	22/22	30/30	35/35	13.72 [1.27]	1	2540 [1199]	90.6 [2569]	149 [67.6]	157 [71.2]
42	1-60-208/230	17.9/17.9	112	1.2	24/24	30/30	40/40	13.72 [1.27]	1	2540 [1199]	106 [3005]	149 [67.6]	157 [71.2]
48	1-60-208/230	21.8/21.8	117	1.2	29/29	35/35	50/50	16.39 [1.52]	1	3290 [1553]	116.1 [3291]	188 [85.3]	192 [87.1]
60	1-60-208/230	26.4/26.4	134	1.2	35/35	45/45	60/60	19.17 [1.78]	1	3380 [1595]	157.2 [4457]	223 [101.2]	234 [106.1]

Model Number 13 SEER 3-PHASE 208/230V	Phase Frequency (Hz) Voltage (Volts)	Electrical						Physical					
		Compressor		Fan Motor Full Load Amperes (FLA)	Minimum Circuit Ampacity Amperes	Fuse or HACR Circuit Breaker		Outdoor Coil			Refrig. Per Circuit Oz. [g]	Weight	
		Rated Load Amperes (RLA)	Locked Rotor Amperes (LRA)			Minimum Amperes	Maximum Amperes	Face Area Sq. Ft. [m <sup>2</sup> ]	No. Rows	CFM [L/s]		Net Lbs. [kg]	Shipping Lbs. [kg]
Rev. 1/14/2011													
36	3-60-208/230	10.4/10.4	73	0.8	14/14	20/20	20/20	13.72 [1.27]	1	2540 [1199]	90.6 [2569]	149 [67.6]	157 [71.2]
42	3-60-208/230	13.2/13.2	88	1.2	18/18	25/25	30/30	13.72 [1.27]	1	2540 [1199]	106 [3005]	149 [67.6]	157 [71.2]
48	3-60-208/230	13.7/13.7	83.1	1.2	19/19	25/25	30/30	16.39 [1.52]	1	3290 [1553]	116.1 [3291]	188 [85.3]	192 [87.1]
60	3-60-208/230	16/16	110	1.2	22/22	30/30	35/35	19.17 [1.78]	1	3380 [1595]	157.2 [4457]	223 [101.2]	234 [106.1]

Model Number 13 SEER 3-PHASE 460V	Phase Frequency (Hz) Voltage (Volts)	Electrical						Physical					
		Compressor		Fan Motor Full Load Amperes (FLA)	Minimum Circuit Ampacity Amperes	Fuse or HACR Circuit Breaker		Outdoor Coil			Refrig. Per Circuit Oz. [g]	Weight	
		Rated Load Amperes (RLA)	Locked Rotor Amperes (LRA)			Minimum Amperes	Maximum Amperes	Face Area Sq. Ft. [m <sup>2</sup> ]	No. Rows	CFM [L/s]		Net Lbs. [kg]	Shipping Lbs. [kg]
Rev. 1/14/2011													
36	3-60-460	5.8/5.8	38	0.35	8/8	15/15	15/15	13.72 [1.27]	1	2540 [1199]	90.6 [2569]	149 [67.6]	157 [71.2]
42	3-60-460	6/6	44	0.8	9/9	15/15	15/15	13.72 [1.27]	1	2540 [1199]	106 [3005]	149 [67.6]	157 [71.2]
48	3-60-460	6.2/6.2	41	0.8	9/9	15/15	15/15	16.39 [1.52]	1	3290 [1553]	116.1 [3291]	188 [85.3]	192 [87.1]
60	3-60-460	7.8/7.8	52	0.8	11/11	15/15	15/15	19.17 [1.78]	1	3380 [1595]	157.2 [4457]	223 [101.2]	234 [106.1]

Model Number 13 SEER 3-PHASE 575V	Phase Frequency (Hz) Voltage (Volts)	Electrical						Physical					
		Compressor		Fan Motor Full Load Amperes (FLA)	Minimum Circuit Ampacity Amperes	Fuse or HACR Circuit Breaker		Outdoor Coil			Refrig. Per Circuit Oz. [g]	Weight	
		Rated Load Amperes (RLA)	Locked Rotor Amperes (LRA)			Minimum Amperes	Maximum Amperes	Face Area Sq. Ft. [m <sup>2</sup> ]	No. Rows	CFM [L/s]		Net Lbs. [kg]	Shipping Lbs. [kg]
Rev. 1/14/2011													
48	3-60-575	4.8/4.8	33	0.8	7/7	15/15	15/15	16.39 [1.52]	1	3290 [1553]	116.1 [3291]	188 [85.3]	192 [87.1]
60	3-60-575	5.7/5.7	38.9	0.8	8/8	15/15	15/15	19.17 [1.78]	1	3380 [1595]	157.2 [4457]	223 [101.2]	234 [106.1]

NOTE: Factory Refrigerant Charge includes refrigerant for 15 feet of standard line set.

**TABLE 1 - continued**  
**ELECTRICAL AND PHYSICAL DATA – 14.5 SEER**

Model Number 14.5 SEER	Electrical							Physical					
	Phase Frequency (Hz) Voltage (Volts)	Compressor		Fan Motor Full Load Amperes (FLA)	Minimum Circuit Ampacity Amperes	Fuse or HACR Circuit Breaker		Outdoor Coil			Refrig. Per Circuit Oz. [g]	Weight	
		Rated Load Amperes (RLA)	Locked Rotor Amperes (LRA)			Minimum Amperes	Maximum Amperes	Face Area Sq. Ft. [m <sup>2</sup> ]	No. Rows	CFM [L/s]		Net Lbs. [kg]	Shipping Lbs. [kg]
Rev. 3/11/2010													
19	1-60-208/230	9/9	46	0.5	12/12	15/15	20/20	11.819 [1.10]	1	2805 [1324]	87 [2466]	154 [69.9]	171 [77.6]
25	1-60-208/230	13.5/13.5	58.3	0.36	18/18	25/25	30/30	8.5 [.78]	1	2805 [1324]	91 [2580]	154 [69.9]	171 [77.6]
30	1-60-208/230	12.8/12.8	64	1.4	18/18	25/25	30/30	16.39 [1.52]	1	2915 [979]	112 [2126]	157 [63.1]	175 [66.7]
36	1-60-208/230	16.7/16.7	79	1.9	23/23	30/30	35/35	21.85 [2.03]	1	3435 [1621]	130.4 [3697]	181 [82.1]	201 [91.2]
42	1-60-208/230	17.9/17.9	112	2.8	26/26	30/30	40/40	21.85 [2.03]	1	3550 [1675]	145.12 [4114]	205 [93]	225 [102.1]
48	1-60-208/230	21.8/21.8	117	2.8	31/31	40/40	50/50	21.85 [2.03]	2	4310 [2034]	216 [6124]	249 [112.9]	269 [122]
49	1-60-208/230	19.9/19.9	109	1.9	27/27	35/35	45/45	21.85 [2.03]	2	3615 [1706]	213 [6039]	249 [112.9]	269 [122]
56	1-60-208/230	21.4/21.4	135	1.9	29/29	35/35	50/50	21.85 [2.03]	2	3615 [1706]	241 [6832]	254 [115.2]	274 [124.3]
60	1-60-208/230	26.4/26.4	134	2.8	36/36	45/45	60/60	21.85 [2.03]	2	4105 [1937]	240 [6804]	254 [115.2]	274 [124.3]

**MATCH ALL COMPONENTS:**

- OUTDOOR UNIT
- INDOOR COIL/METERING DEVICE
- INDOOR AIR HANDLER/FURNACE
- REFRIGERANT LINES

## 3.0 LOCATING UNIT

### 3.1 CORROSIVE ENVIRONMENT

The metal parts of this unit may be subject to rust or deterioration if exposed to a corrosive environment. This oxidation could shorten the equipment's useful life. Corrosive elements include, but are not limited to, salt spray, fog or mist in seacoast areas, sulphur or chlorine from lawn watering systems, and various chemical contaminants from industries such as paper mills and petroleum refineries.

If the unit is to be installed in an area where contaminants are likely to be a problem, special attention should be given to the equipment location and exposure.

- Avoid having lawn sprinkler heads spray directly on the unit cabinet.
- In coastal areas, locate the unit on the side of the building away from the waterfront.
- Shielding provided by a fence or shrubs may give some protection, but cannot violate minimum airflow and service access clearances.
- Elevating the unit off its slab or base enough to allow air circulation will help avoid holding water against the basepan.

Regular maintenance will reduce the build-up of contaminants and help to protect the unit's finish.

### **WARNING**

**DISCONNECT ALL POWER TO UNIT BEFORE STARTING MAINTENANCE. FAILURE TO DO SO CAN CAUSE ELECTRICAL SHOCK RESULTING IN SEVERE PERSONAL INJURY OR DEATH.**

- Frequent washing of the cabinet, fan blade and coil with fresh water will remove most of the salt or other contaminants that build up on the unit.
- Regular cleaning and waxing of the cabinet with an automobile polish will provide some protection.
- A liquid cleaner may be used several times a year to remove matter that will not wash off with water.

Several different types of protective coatings are offered in some areas. These coatings may provide some benefit, but the effectiveness of such coating materials cannot be verified by the equipment manufacturer.

### 3.2 CONDENSER LOCATION

Consult local and national building codes and ordinances for special installation requirements. Following location information will provide longer life and simplified servicing of the outdoor condenser.



**NOTE:** These units must be installed outdoors. No ductwork can be attached, or other modifications made, to the discharge grille. Modifications will affect performance or operation.

### 3.3 OPERATIONAL ISSUES

- **IMPORTANT:** Locate the condenser in a manner that will not prevent, impair or compromise the performance of other equipment horizontally installed in proximity to the unit. Maintain all required minimum distances to gas and electric meters, dryer vents, exhaust and inlet openings. In the absence of National Codes, or manufacturers' recommendations, local code recommendations and requirements will take precedence.
- Refrigerant piping and wiring should be properly sized and kept as short as possible to avoid capacity losses and increased operating costs.
- Locate the condenser where water run off will not create a problem with the equipment. Position the unit away from the drip edge of the roof whenever possible. Units are weatherized, but can be affected by water pouring into the unit from the junction of rooflines, without protective guttering.

### 3.4 FOR CONDENSERS WITH SPACE LIMITATIONS

In the event that a space limitation exists, we will permit the following clearances:

**Single Unit Applications:** One condenser inlet air grille side may be reduced to no less than a 6-inch clearance. Clearances below 6 inches will reduce unit capacity and efficiency. Do not reduce the 60-inch discharge, or the 24-inch service clearances.

**Multiple Unit Applications:** When multiple condenser grille sides are aligned, a 6-inch per unit clearance is recommended, for a total of 12 inches between two units. Two combined clearances below 12 inches will reduce capacity and efficiency. Do not reduce the 60-inch discharge, or 24-inch service, clearances.

### 3.5 CUSTOMER SATISFACTION ISSUES

- The condenser should be located away from the living, sleeping and recreational spaces of the owner and those spaces on adjoining property.
- To prevent noise transmission, the mounting pad for the outdoor unit should not be connected to the structure, and should be located sufficient distance above grade to prevent ground water from entering the unit.

### 3.6 PROPER INSTALLATION

Proper sizing and installation of equipment is critical to achieve optimal performance. Use the information in this Installation Instruction Manual and reference the applicable Engineering Specification Sheet when installing this product.

**IMPORTANT:** This product has been designed and manufactured to meet ENERGY STAR® criteria for energy efficiency when matched with appropriate coil components. However, proper refrigerant charge and proper air flow are critical to achieve rated capacity and efficiency. Installation of this product should follow the manufacturer's refrigerant charging and air flow instructions. **Failure to confirm proper charge and airflow may reduce energy efficiency and shorten equipment life.**

### 3.7 UNIT MOUNTING

If elevating the condensing unit, either on a flat roof or on a slab, observe the following guidelines.

- The base pan provided elevates the condenser coil 3/4" above the base pad.
- If elevating a unit on a flat roof, use 4" x 4" (or equivalent) stringers positioned to distribute unit weight evenly and prevent noise and vibration.

### 3.8 FACTORY-PREFERRED TIE-DOWN METHOD FOR OUTDOOR UNITS

**IMPORTANT:** The Manufacturer approved/recommended method is a guide to securing equipment for wind and seismic loads. Other methods might provide the same result, but the Manufacturer method is the only one endorsed by Manufacturer for securing equipment where wind or earthquake damage can occur. Additional information is available in the PTS (Product Technical Support) section of the Manufacturer website Rheemote.net and can be found as a listing under each outdoor model. If you do not have access to this site, your Distributor can offer assistance.



## 4.0 REFRIGERANT CONNECTIONS

All units are factory charged with Refrigerant 410A. All models are supplied with service valves. Keep tube ends sealed until connection is to be made to prevent system contamination.

## 5.0 TOOLS REQUIRED FOR INSTALLING & SERVICING R-410A MODELS

### Manifold Sets:

- Up to 800 PSIG High Side
- Up to 250 PSIG Low Side
- 550 PSIG Low Side Retard

### Manifold Hoses:

- Service Pressure Rating of 800 PSIG

### Recovery Cylinders:

- 400 PSIG Pressure Rating
- Dept. of Transportation 4BA400 or BW400

### CAUTION

*R-410A systems operate at higher pressures than R-22 systems. Do not use R-22 service equipment or components on R-410A equipment.*

### 5.1 SPECIFICATION OF R-410A:

**Application:** R-410A is not a drop-in replacement for R-22; equipment designs must accommodate its higher pressures. It cannot be retrofitted into R-22 condensing units.

**Physical Properties:** R-410A has an atmospheric boiling point of -62.9°F and its saturation pressure at 77°F is 224.5 psig.

**Composition:** R-410A is an azeotropic mixture of 50% by weight difluoromethane (HFC-32) and 50% by weight pentafluoroethane (HFC-125).

**Pressure:** The pressure of R-410A is approximately 60% (1.6 times) greater than R-22. Recovery and recycle equipment, pumps, hoses and the like need to have design pressure ratings appropriate for R-410A. *Manifold sets need to range up to 800 psig high-side and 250 psig low-side with a 550 psig low-side retard. Hoses need to have a service pressure rating of 800 psig. Recovery cylinders need to have a 400 psig service pressure rating. DOT 4BA400 or DOT BW400.*

**Combustibility:** At pressures above 1 atmosphere, mixture of R-410A and air can become combustible. R-410A and air should never be mixed in tanks or supply lines, or be allowed to accumulate in storage tanks. Leak checking should never be done with a mixture of R-410A and air. Leak checking can be performed safely with nitrogen or a mixture of R-410A and nitrogen.

### 5.2 QUICK REFERENCE GUIDE FOR R-410A

- R-410A refrigerant operates at approximately 60% higher pressure (1.6 times) than R-22. Ensure that servicing equipment is designed to operate with R-410A.
- R-410A refrigerant cylinders are pink in color.
- R-410A, as with other HFC's is only compatible with POE oils.
- Vacuum pumps will not remove moisture from oil.
- R-410A systems are to be charged with liquid refrigerants. Prior to March 1999, R-410A refrigerant cylinders had a dip tube. These cylinders should be kept upright for equipment charging. Post March 1999 cylinders do not have a dip tube and should be inverted to ensure liquid charging of the equipment.
- Do not install a suction line filter drier in the liquid line.
- A liquid line filter drier is standard on every unit. Only manufacturer approved liquid line filter driers can be used. These are Sporlan (CW083S) and Alco (80K083S) driers. These filter driers are rated for minimum working pressure of 600 psig.
- Desiccant (drying agent) must be compatible for POE oils and R-410A.

## 6.0 REPLACEMENT UNITS

To prevent failure of a new condensing unit, the existing evaporator tubing system must be correctly sized and cleaned or replaced. Care must be exercised that the expansion device is not plugged. For new and replacement units, liquid line filter drier should be installed and refrigerant tubing should be properly sized. Test the oil for acid. If positive, a suction line filter drier is mandatory.

**IMPORTANT:** WHEN REPLACING AN R-22 UNIT WITH AN R-410A UNIT, EITHER REPLACE THE LINE SET OR ENSURE THAT THE EXISTING LINE SET IS THOROUGHLY CLEANED OF ANY OLD OIL OR DEBRIS.

## 7.0 EVAPORATOR COIL

**REFER TO EVAPORATOR COIL MANUFACTURER'S INSTALLATION INSTRUCTIONS.**

**IMPORTANT:** The manufacturer is not responsible for the performance and operation of a mismatched system, or for a match listed with another manufacturer's coil.

### CAUTION

Only use evaporators approved for use on R-410A systems. Use of existing R-22 evaporators can introduce mineral oil into the R-410A refrigerant forming two different liquids and decreasing oil return to the compressor. This can result in compressor failure.

**NOTE:** All units must be installed with a TEV Evaporator.

The thermostat expansion valve is specifically designed to operate with R-410A. **DO NOT use an R-22 TEV or evaporator. The existing evaporator must be replaced with the factory specified TEV evaporator specifically designed for R-410A.**

### LOCATION

Do not install the indoor evaporator coil in the return duct system of a gas or oil furnace. Provide a service inlet to the coil for inspection and cleaning. Keep the coil pitched toward the drain connection.

### CAUTION

When coil is installed over a finished ceiling and/or living area, it is recommended that a secondary sheet metal condensate pan be constructed and installed under entire unit. Failure to do so can result in property damage.

## 8.0 REPLACEMENT UNITS

To prevent failure of a new condensing unit, the existing evaporator tubing system must be correctly sized and cleaned or replaced. Care must be exercised that the expansion device is not plugged. Test the oil for acid. If positive, a suction line filter drier is mandatory. For new and replacement units, a liquid line filter drier should be installed and refrigerant tubing should be properly sized.

## 9.0 INTERCONNECTING TUBING

### 9.1 VAPOR AND LIQUID LINES

Keep all lines sealed until connection is made.

Refer to Line Size Information in Tables 2 through 6 for correct size and multipliers to be used to determine capacity for various vapor line diameters and lengths of run. The losses due to the lines being exposed to outdoor conditions are not included.

The factory refrigeration charge in the outdoor unit is sufficient for 15 feet of interconnecting lines. The factory refrigeration charge in the outdoor unit is sufficient for

the unit and 15 feet of standard size interconnecting liquid and vapor lines. For different lengths, adjust the charge as indicated below.

1/4" ± 0.2 oz. per foot

5/16" ± 0.3 oz. per foot

3/8" ± 0.5 oz. per foot

1/2" ± 1.0 oz. per foot

## 9.2 MAXIMUM LENGTH OF LINES

The maximum length of interconnecting line is 150 feet. Always use the shortest length possible with a minimum number of bends. Additional compressor oil is not required for any length up to 150 feet.

**NOTE:** Excessively long refrigerant lines cause loss of equipment capacity.

## 9.3 OUTDOOR UNIT INSTALLED ABOVE INDOOR COIL

Keep the vertical separation between coils to a minimum. However, the vertical distance can be as great as 120 feet with the condensing unit ABOVE the indoor coil. Use the following guidelines when installing the unit:

1. DO NOT exceed 120 feet maximum vertical separation.
2. Expansion Valve Coil:
  - a. The vertical separation can be greater than the value in Table 3, but no more than 120 feet.
  - b. No changes are required for expansion valve coils.
3. Always use the smallest liquid line size permitted to minimize the system charge.
4. Table 3 may be used for sizing horizontal runs.

## 9.4 OUTDOOR UNIT BELOW INDOOR COIL

Keep the vertical separation to a minimum. Use the following guidelines when installing the unit:

1. DO NOT exceed the vertical separations as indicated on Table 4.
2. Always use the smallest liquid line size permitted to minimize system charge.
3. Table 4 may be used for sizing horizontal runs.

## 9.5 TUBING INSTALLATION

Observe the following when installing correctly sized type "L" refrigerant tubing between the condensing unit and evaporator coil:

### CAUTION

**The filter drier is located inside the control box. The filter drier must be installed externally in the liquid line or the Warranty will be VOID!**

- If a portion of the liquid line passes through a hot area where liquid refrigerant can be heated to form vapor, insulating the liquid line is required.
- Use clean, dehydrated, sealed refrigeration grade tubing.
- Always keep tubing sealed until tubing is in place and connections are to be made.
- Blow out the liquid and vapor lines with dry nitrogen before connecting to the outdoor unit and indoor coil. For an air conditioning system, any debris in the line set could end up plugging the expansion device.
- If tubing has been cut, make sure ends are deburred while holding in a position to prevent chips from falling into tubing. Burrs such as those caused by tubing cutters can affect performance dramatically, particularly on small liquid line sizes.
- For best operation, keep tubing run as short as possible with a minimum number of elbows or bends.
- Locations where the tubing will be exposed to mechanical damage should be avoided. If it is necessary to use such locations, the copper tubing should be housed to prevent damage.

- If tubing is to be run underground, it must be run in a sealed watertight chase.
- Use care in routing tubing and do not kink or twist. Use a tubing bender on the vapor line to prevent kinking.
- The vapor line must be insulated to prevent dripping (sweating) and prevent performance losses. Armaflex and Rubatex are satisfactory insulations for this purpose. Use 1/2" minimum insulation thickness, additional insulation may be required for long runs.
- Check Table 2 for the correct vapor line size. Check Tables 3 and 4 for the correct liquid line size.

## 9.6 TUBING CONNECTIONS

Indoor evaporator coils have only a holding charge of dry nitrogen. Keep all tube ends sealed until connections are to be made.

- Use type "L" copper refrigeration tubing. Braze the connections with accepted industry practices.
- Be certain both refrigerant service valves at the outdoor unit are closed.
- Clean the fittings before brazing.
- Remove the cap and schrader core from service port to protect seals from heat damage.
- Use an appropriate heatsink material around the copper stub and the service valves before applying heat.
- **IMPORTANT:** Do not braze any fitting with the TEV sensing bulb attached.
- Braze the tubing between the outdoor unit and indoor coil. Flow dry nitrogen into a service port and through the tubing while brazing.
- After brazing – use an appropriate heatsink material to cool the joint and remove any flux residue.

## 9.7 LEAK TESTING

- Pressurize line set and coil through service fittings with dry nitrogen to 150 psig maximum. Leak test all joints using liquid detergent. If a leak is found, repair and repeat leak test procedures.

### **WARNING**

**DO NOT USE OXYGEN TO PURGE LINES OR PRESSURIZE SYSTEM FOR LEAK TEST. OXYGEN REACTS VIOLENTLY WITH OIL, WHICH CAN CAUSE AN EXPLOSION RESULTING IN SEVERE PERSONAL INJURY OR DEATH.**

**TABLE 2**  
SUCTION LINE LENGTH/SIZE VS. CAPACITY MULTIPLIER (R-410A)

UNIT SIZE		1½ Ton	2 Ton	2½ Ton	3 Ton	3½ Ton	4 Ton	5 Ton
Suction Line Connection Size		3/4" [19] I.D.	3/4" [19] I.D.	3/4" [19] I.D.	3/4" [19] I.D.	7/8" [22.2] I.D.	7/8" [22.2] I.D.	7/8" [22.2] I.D.
Suction Line Run - Feet [m]		5/8" [15.9]	5/8" [15.9]	5/8" [15.9]	—	3/4" [19]	—	—
		3/4" [19]*	3/4" [19]*	3/4" [19]*	3/4" [19]*	7/8" [22.2]*	7/8" [22.2]*	7/8" [22.2]*
		—	—	7/8" [22.2]	7/8" [22.2]	—	1½" [28.6]	1½" [28.6]
25' [7.6]	Optional	1.00	1.00	1.00	—	1.00	—	—
	Standard	1.00	1.00	1.00	1.00	1.00	1.00	1.00
	Optional	—	—	1.00	1.00	—	1.00	1.00
50' [15.24]	Optional	0.98	0.98	0.96	—	0.99	—	—
	Standard	0.99	0.99	0.98	0.98	0.99	0.99	0.99
	Optional	—	—	0.99	0.99	—	0.99	0.99
100' [30.5]	Optional	0.95	0.95	0.94	—	0.96	—	—
	Standard	0.96	0.96	0.96	0.96	0.98	0.96	0.97
	Optional	—	—	0.97	0.97	—	0.98	0.98
150' [45.7]	Optional	0.92	0.92	0.91	—	0.94	—	—
	Standard	0.93	0.94	0.93	0.94	0.96	0.95	0.94
	Optional	—	—	0.95	0.95	—	0.96	0.97

**NOTES:**

\*Standard

Note: Using suction line larger than shown in chart will result in poor oil return and is not recommended.

**TABLE 3**

LIQUID LINE SIZE - OUTDOOR UNIT BELOW INDOOR COIL								
R-410A System Capacity Model	Line Size Connection Size (Inch I.D.) [mm]	Line Size (Inch O.D.) [mm]	Liquid Line Size					
			Outdoor Unit <b>Below</b> Indoor Coil (Cooling Only - Does not apply to Heat Pumps)					
			Total <b>Equivalent</b> Length - Feet [m]					
			25 [7.62]	50 [15.24]	75 [22.86]	100 [30.48]	125 [45.72]	150 [45.72]
Minimum Vertical Separation - Feet [m]								
<b>13 SEER</b>								
-18	3/8" [9.53]	1/4" [6.35]	0	0	0	14 [4.27]	28 [8.53]	43 [13.11]
		5/16" [7.93]	0	0	0	0	0	0
		3/8" [9.52]*	0	0	0	0	0	0
-24	3/8" [9.53]	1/4" [6.35]	0	9 [2.74]	35 [10.67]	61 [18.59]	88 [26.82]	114 [34.75]
		5/16" [7.93]	0	0	0	0	0	0
		3/8" [9.52]*	0	0	0	0	0	0
-30	3/8" [9.53]	1/4" [6.35]	0	13 [3.96]	47 [14.33]	82 [24.99]	117 [35.66]	151 [46.03]
		5/16" [7.93]	0	0	0	0	0	0
		3/8" [9.52]*	0	0	0	0	0	0
-36	3/8" [9.53]	5/16" [7.93]	0	0	0	0	0	4 [1.22]
		3/8" [9.52]*	0	0	0	0	0	0
		1/2" [12.70]	0	0	0	0	0	0
-42	3/8" [9.53]	5/16" [7.93]	0	0	0	0	0	4 [1.22]
		3/8" [9.52]*	0	0	0	0	0	0
		1/2" [12.70]	0	0	0	0	0	0
-48	3/8" [9.53]	5/16" [7.93]	0	0	0	21 [6.40]	44 [13.41]	66 [20.12]
		3/8" [9.52]*	0	0	0	0	0	0
		1/2" [12.70]	0	0	0	0	0	0
-60	3/8" [9.53]	3/8" [9.52]*	0	0	0	0	0	0
		1/2" [12.70]	0	0	0	0	0	0
<b>14.5 SEER</b>								
-19	3/8" [9.53]	1/4" [6.35]	0	0	0	5 [1.52]	19 [5.79]	33 [10.06]
		5/16" [7.93]	0	0	0	0	0	0
		3/8" [9.52]*	0	0	0	0	0	0
-25	3/8" [9.53]	1/4" [6.35]	0	10 [3.05]	36 [10.97]	61 [18.59]	87 [26.52]	112 [34.14]
		5/16" [7.93]	0	0	0	0	0	0
		3/8" [9.52]*	0	0	0	0	0	0
-30	3/8" [9.53]	1/4" [6.35]	0	10 [3.05]	42 [12.80]	74 [22.56]	107 [32.61]	139 [42.37]
		5/16" [7.93]	0	0	0	0	0	0
		3/8" [9.52]*	0	0	0	0	0	0
-36	3/8" [9.53]	5/16" [7.93]	0	0	0	0	6 [1.83]	18 [5.49]
		3/8" [9.52]*	0	0	0	0	0	0
		1/2" [12.70]	0	0	0	0	0	0
-42	3/8" [9.53]	5/16" [7.93]	0	0	0	16 [4.88]	32 [9.75]	48 [14.63]
		3/8" [9.52]*	0	0	0	0	0	0
		1/2" [12.70]	0	0	0	0	0	0
-48	3/8" [9.53]	5/16" [7.93]	0	0	7 [2.13]	27 [8.23]	48 [14.63]	69 [21.03]
		3/8" [9.52]*	0	0	0	0	0	0
		1/2" [12.70]	0	0	0	0	0	0
-49	3/8" [9.53]	5/16" [7.93]	0	0	0	1 [0.31]	20 [6.10]	39 [11.89]
		3/8" [9.52]*	0	0	0	0	0	0
		1/2" [12.70]	0	0	0	0	0	0
-56	3/8" [9.53]	3/8" [9.52]*	0	0	0	0	0	0
		1/2" [12.70]	0	0	0	0	0	0
-60	3/8" [9.53]	3/8" [9.52]*	0	0	0	0	0	11 [3.35]
		1/2" [12.70]	0	0	0	0	0	0

**NOTES:**  
 \*Standard  
 N/A = Application not recommended.

[ ] Designates metric

**TABLE 4**

LIQUID LINE SIZE - OUTDOOR UNIT ABOVE INDOOR COIL								
R-410A System Capacity Model	Line Size Connection Size (Inch I.D.) [mm]	Line Size (Inch O.D.) [mm]	Liquid Line Size					
			Outdoor Unit <b>Above</b> Indoor Coil (Cooling Only - Does not apply to Heat Pumps)					
			Total <b>Equivalent</b> Length - Feet [m]					
			25 [7.62]	50 [15.24]	75 [22.86]	100 [30.48]	125 [45.72]	150 [45.72]
			<b>Maximum</b> Vertical Separation - Feet [m]					
<b>13 SEER</b>								
-18	3/8" [9.53]	1/4" [6.35]	25 [9.14]	15 [4.57]	N/A	N/A	N/A	N/A
		5/16" [7.93]	25 [12.19]	37 [11.28]	33 [10.06]	29 [8.84]	26 [7.93]	22 [6.71]
		3/8" [9.52]*	25 [13.11]	42 [12.80]	40 [12.19]	39 [11.89]	38 [11.58]	36 [10.97]
-24	3/8" [9.53]	1/4" [6.35]	18 [5.49]	N/A	N/A	N/A	N/A	N/A
		5/16" [7.93]	25 [11.28]	31 [9.45]	24 [7.32]	17 [5.18]	10 [3.05]	N/A
		3/8" [9.52]*	25 [12.80]	39 [11.89]	37 [11.28]	35 [10.67]	32 [9.75]	30 [9.14]
-30	3/8" [9.53]	1/4" [6.35]	22 [6.71]	N/A	N/A	N/A	N/A	N/A
		5/16" [7.93]	25 [14.63]	39 [11.89]	31 [9.45]	22 [6.71]	13 [3.96]	N/A
		3/8" [9.52]*	25 [16.46]	50 [15.55]	48 [14.63]	45 [13.72]	42 [12.80]	39 [11.89]
-36	3/8" [9.53]	5/16" [7.93]	25 [18.29]	47 [14.33]	35 [10.67]	22 [6.71]	9 [2.74]	N/A
		3/8" [9.52]*	25 [20.73]	50 [19.51]	60 [18.29]	55 [16.76]	51 [15.55]	46 [14.02]
		1/2" [12.70]	25 [21.95]	50 [21.64]	70 [21.34]	69 [21.03]	68 [20.73]	68 [20.73]
-42	3/8" [9.53]	5/16" [7.93]	25 [23.17]	50 [18.29]	44 [13.41]	28 [8.53]	12 [3.66]	N/A
		3/8" [9.52]*	25 [26.52]	50 [24.69]	75 [23.17]	70 [21.34]	65 [19.81]	59 [17.98]
		1/2" [12.70]	25 [27.74]	50 [27.43]	75 [27.13]	88 [26.82]	87 [26.52]	86 [26.21]
-48	3/8" [9.53]	5/16" [7.93]	25 [14.33]	24 [7.32]	N/A	N/A	N/A	N/A
		3/8" [9.52]*	25 [18.90]	50 [16.46]	47 [14.33]	39 [11.89]	31 [9.45]	23 [7.01]
		1/2" [12.70]	25 [20.73]	50 [20.42]	65 [19.81]	64 [19.51]	62 [18.90]	61 [18.59]
-60	3/8" [9.53]	3/8" [9.52]*	25 [22.86]	50 [19.51]	53 [16.15]	42 [12.80]	31 [9.45]	20 [6.10]
		1/2" [12.70]	25 [25.30]	50 [24.69]	75 [24.08]	77 [23.47]	75 [22.86]	73 [22.25]
<b>14.5 SEER</b>								
-19	3/8" [9.53]	1/4" [6.35]	25 [11.58]	24 [7.32]	10 [3.05]	N/A	N/A	N/A
		5/16" [7.93]	25 [14.94]	45 [13.72]	41 [12.50]	38 [11.58]	34 [10.36]	30 [9.14]
		3/8" [9.52]*	25 [15.55]	50 [15.24]	49 [14.94]	47 [14.33]	46 [14.02]	45 [13.72]
-25	3/8" [9.53]	1/4" [6.35]	16 [4.88]	N/A	N/A	N/A	N/A	N/A
		5/16" [7.93]	25 [10.67]	28 [8.53]	22 [6.71]	15 [4.57]	9 [2.74]	N/A
		3/8" [9.52]*	25 [11.89]	37 [11.28]	34 [10.36]	32 [9.75]	30 [9.14]	28 [8.53]
-30	3/8" [9.53]	1/4" [6.35]	23 [7.01]	N/A	N/A	N/A	N/A	N/A
		5/16" [7.93]	25 [14.33]	39 [11.89]	31 [9.45]	22 [6.71]	14 [4.27]	N/A
		3/8" [9.52]*	25 [15.85]	50 [15.24]	47 [14.33]	44 [13.41]	41 [12.50]	38 [11.58]
-36	3/8" [9.53]	5/16" [7.93]	25 [12.80]	30 [9.14]	18 [5.49]	N/A	N/A	N/A
		3/8" [9.52]*	25 [14.94]	45 [13.72]	41 [12.50]	37 [11.28]	33 [10.06]	29 [8.84]
		1/2" [12.70]	25 [16.15]	50 [15.85]	51 [15.55]	50 [15.24]	49 [14.94]	48 [14.63]
-42	3/8" [9.53]	5/16" [7.93]	25 [9.75]	16 [4.88]	N/A	N/A	N/A	N/A
		3/8" [9.52]*	25 [12.80]	37 [11.28]	31 [9.45]	26 [7.93]	20 [6.10]	15 [4.57]
		1/2" [12.70]	25 [14.33]	45 [13.72]	44 [13.41]	43 [13.11]	42 [12.80]	41 [12.50]
-48	3/8" [9.53]	5/16" [7.93]	25 [10.36]	14 [4.27]	N/A	N/A	N/A	N/A
		3/8" [9.52]*	25 [14.63]	41 [12.50]	34 [10.36]	27 [8.23]	20 [6.10]	13 [3.96]
		1/2" [12.70]	25 [16.15]	50 [15.85]	51 [15.55]	49 [14.94]	48 [14.63]	46 [14.02]
-49	3/8" [9.53]	5/16" [7.93]	25 [17.07]	37 [11.28]	18 [5.49]	N/A	N/A	N/A
		3/8" [9.52]*	25 [20.73]	50 [18.90]	55 [16.76]	49 [14.94]	42 [12.80]	36 [10.97]
		1/2" [12.70]	25 [22.56]	50 [21.95]	71 [21.64]	70 [21.34]	68 [20.73]	67 [20.42]
-56	3/8" [9.53]	3/8" [9.52]*	25 [14.94]	41 [12.50]	33 [10.06]	24 [7.32]	16 [4.88]	N/A
		1/2" [12.70]	25 [17.07]	50 [16.46]	53 [16.15]	51 [15.55]	49 [14.94]	48 [14.63]
-60	3/8" [9.53]	3/8" [9.52]*	25 [13.11]	32 [9.75]	21 [6.40]	11 [3.35]	N/A	N/A
		1/2" [12.70]	25 [15.55]	49 [14.94]	47 [14.33]	45 [13.72]	43 [13.11]	41 [12.50]

**NOTES:**  
 \*Standard  
 N/A = Application not recommended.



**TABLE 5**

SUCTION LINE SIZE - OUTDOOR UNIT ABOVE INDOOR COIL									
R-410A System Capacity Model	Line Size Connection Size (Inch I.D.) [mm]	Line Size (Inch O.D.) [mm]	Suction Line Size						
			Outdoor Unit <b>ABOVE</b> Indoor Coil (Cooling Only - Does not apply to Heat Pumps)						
			Total <b>Equivalent</b> Length - Feet [m]						
				25 [7.62]	50 [15.24]	75 [22.86]	100 [30.48]	125 [45.72]	150 [45.72]
<b>13 SEER</b>									
-18	3/4" [19.05]	5/8" [15.88]	NA						
		3/4" [19.05]*	NA						
		7/8" [22.23]	NA						
-24	3/4" [19.05]	5/8" [15.88]	Same as Liquid Line Size Table						
		3/4" [19.05]*	NA						
		7/8" [22.23]	NA						
-30	3/4" [19.05]	5/8" [15.88]	Same as Liquid Line Size Table						
		3/4" [19.05]*	Same as Liquid Line Size Table						
		7/8" [22.23]	NA						
-36	3/4" [19.05]	5/8" [15.88]	Same as Liquid Line Size Table						
		3/4" [19.05]*	Same as Liquid Line Size Table						
		7/8" [22.23]	NA						
-42	7/8" [22.23]	5/8" [15.88]	Same as Liquid Line Size Table						
		3/4" [19.05]	Same as Liquid Line Size Table						
		7/8" [22.23]*	Same as Liquid Line Size Table						
-48	7/8" [22.23]	5/8" [15.88]	Same as Liquid Line Size Table						
		3/4" [19.05]	Same as Liquid Line Size Table						
		7/8" [22.23]*	Same as Liquid Line Size Table						
-60	7/8" [22.23]	3/4" [19.05]	Same as Liquid Line Size Table						
		7/8" [22.23]*	Same as Liquid Line Size Table						
		1-1/8" [28.58]	NA						
<b>14.5 SEER</b>									
-19	3/4" [19.05]	5/8" [15.88]	NA						
		3/4" [19.05]*	NA						
		7/8" [22.23]	NA						
-25	3/4" [19.05]	5/8" [15.88]	Same as Liquid Line Size Table						
		3/4" [19.05]*	NA						
		7/8" [22.23]	NA						
-30	3/4" [19.05]	5/8" [15.88]	Same as Liquid Line Size Table						
		3/4" [19.05]*	Same as Liquid Line Size Table						
		7/8" [22.23]	NA						
-36	3/4" [19.05]	5/8" [15.88]	Same as Liquid Line Size Table						
		3/4" [19.05]*	Same as Liquid Line Size Table						
		7/8" [22.23]	NA						
-42	7/8" [22.23]	5/8" [15.88]	Same as Liquid Line Size Table						
		3/4" [19.05]	Same as Liquid Line Size Table						
		7/8" [22.23]*	Same as Liquid Line Size Table						
-48	7/8" [22.23]	5/8" [15.88]	Same as Liquid Line Size Table						
		3/4" [19.05]	Same as Liquid Line Size Table						
		7/8" [22.23]*	Same as Liquid Line Size Table						
-49	7/8" [22.23]	5/8" [15.88]	Same as Liquid Line Size Table						
		3/4" [19.05]	Same as Liquid Line Size Table						
		7/8" [22.23]*	Same as Liquid Line Size Table						
-56	7/8" [22.23]	3/4" [19.05]	Same as Liquid Line Size Table						
		7/8" [22.23]*	Same as Liquid Line Size Table						
		1-1/8" [28.58]	NA						
-60	7/8" [22.23]	3/4" [19.05]	Same as Liquid Line Size Table						
		7/8" [22.23]*	Same as Liquid Line Size Table						
		1-1/8" [28.58]	NA						

**NOTES:**  
 \*Standard  
 N/A = Application not recommended.

**TABLE 6**

SUCTION LINE SIZE - OUTDOOR UNIT BELOW INDOOR COIL									
R-410A System Capacity Model	Line Size Connection Size (Inch I.D.) [mm]	Line Size (Inch O.D.) [mm]	Suction Line Size						
			Outdoor Unit <b>BELOW</b> Indoor Coil (Cooling Only - Does not apply to Heat Pumps)						
			Total <b>Equivalent</b> Length - Feet [m]						
				25 [7.62]	50 [15.24]	75 [22.86]	100 [30.48]	125 [45.72]	150 [45.72]
<b>13 SEER</b>									
-18	3/4" [19.05]	5/8" [15.88]	Same as Liquid Line Size Table		NA				
		3/4" [19.05]*	NA		NA				
		7/8" [22.23]	NA		NA				
-24	3/4" [19.05]	5/8" [15.88]	Same as Liquid Line Size Table		NA				
		3/4" [19.05]*	Same as Liquid Line Size Table		NA				
		7/8" [22.23]	NA		NA				
-30	3/4" [19.05]	5/8" [15.88]	Same as Liquid Line Size Table		NA				
		3/4" [19.05]*	Same as Liquid Line Size Table		NA				
		7/8" [22.23]	Same as Liquid Line Size Table		NA				
-36	3/4" [19.05]	5/8" [15.88]	Same as Liquid Line Size Table		NA				
		3/4" [19.05]*	Same as Liquid Line Size Table		NA				
		7/8" [22.23]	Same as Liquid Line Size Table		NA				
-42	7/8" [22.23]	5/8" [15.88]	Same as Liquid Line Size Table		NA				
		3/4" [19.05]	Same as Liquid Line Size Table		NA				
		7/8" [22.23]*	Same as Liquid Line Size Table		NA				
-48	7/8" [22.23]	5/8" [15.88]	Same as Liquid Line Size Table		NA				
		3/4" [19.05]	Same as Liquid Line Size Table		NA				
		7/8" [22.23]*	Same as Liquid Line Size Table		NA				
-60	7/8" [22.23]	3/4" [19.05]	Same as Liquid Line Size Table		NA				
		7/8" [22.23]*	Same as Liquid Line Size Table		NA				
		1-1/8" [28.58]	Same as Liquid Line Size Table		NA				
<b>14.5 SEER</b>									
-19	3/4" [19.05]	5/8" [15.88]	Same as Liquid Line Size Table		NA				
		3/4" [19.05]*	NA		NA				
		7/8" [22.23]	NA		NA				
-25	3/4" [19.05]	5/8" [15.88]	Same as Liquid Line Size Table		NA				
		3/4" [19.05]*	Same as Liquid Line Size Table		NA				
		7/8" [22.23]	NA		NA				
-30	3/4" [19.05]	5/8" [15.88]	Same as Liquid Line Size Table		NA				
		3/4" [19.05]*	Same as Liquid Line Size Table		NA				
		7/8" [22.23]	Same as Liquid Line Size Table		NA				
-36	3/4" [19.05]	5/8" [15.88]	Same as Liquid Line Size Table		NA				
		3/4" [19.05]*	Same as Liquid Line Size Table		NA				
		7/8" [22.23]	Same as Liquid Line Size Table		NA				
-42	7/8" [22.23]	5/8" [15.88]	Same as Liquid Line Size Table		NA				
		3/4" [19.05]	Same as Liquid Line Size Table		NA				
		7/8" [22.23]*	Same as Liquid Line Size Table		NA				
-48	7/8" [22.23]	5/8" [15.88]	Same as Liquid Line Size Table		NA				
		3/4" [19.05]	Same as Liquid Line Size Table		NA				
		7/8" [22.23]*	Same as Liquid Line Size Table		NA				
-49	7/8" [22.23]	5/8" [15.88]	Same as Liquid Line Size Table		NA				
		3/4" [19.05]	Same as Liquid Line Size Table		NA				
		7/8" [22.23]*	Same as Liquid Line Size Table		NA				
-56	7/8" [22.23]	3/4" [19.05]	Same as Liquid Line Size Table		NA				
		7/8" [22.23]*	Same as Liquid Line Size Table		NA				
		1-1/8" [28.58]	Same as Liquid Line Size Table		NA				
-60	7/8" [22.23]	3/4" [19.05]	Same as Liquid Line Size Table		NA				
		7/8" [22.23]*	Same as Liquid Line Size Table		NA				
		1-1/8" [28.58]	Same as Liquid Line Size Table		NA				

**NOTES:**  
 \*Standard  
 N/A = Application not recommended.

## 10.0 START-UP – CHECKING AIRFLOW

The air distribution system has the greatest effect on airflow. The duct system is totally controlled by the contractor. For this reason, the contractor should use only industry-recognized procedures. The correct air quantity is critical to air conditioning systems. Proper operation, efficiency, compressor life, and humidity control depend on the correct balance between indoor load and outdoor unit capacity. Excessive indoor airflow increases the possibility of high humidity problems. Low indoor airflow reduces total capacity and causes coil icing. Serious harm can be done to the compressor by low airflow, such as that caused by refrigerant flooding. Each ton of cooling requires between 375 and 450 cubic feet of air per minute (CFM). See the manufacturer's spec sheet for rated airflow for the system being installed. Duct design and construction should be carefully done. System performance can be lowered dramatically through bad planning or workmanship. Air supply diffusers must be selected and located carefully. They must be sized and positioned to deliver treated air along the perimeter of the space. If they are too small for their intended airflow, they become noisy. If they are not located properly, they cause drafts. Return air grilles must be properly sized to carry air back to the blower. If they are too small, they also cause noise. The installers should balance the air distribution system to ensure proper quiet airflow to all rooms in the home. This ensures a comfortable living space.

These simple mathematical formulas can be used to determine the CFM in a residential or light commercial system. Electric resistance heaters can use:

$$CFM = \frac{\text{volts} \times \text{amps} \times 3.413}{SHC \times \text{temp rise}}$$

Gas furnaces can use:

$$CFM = \frac{\text{Output Capacity in BTUH}^*}{SHC \times \text{temp rise}}$$

\*Refer to furnace data plate for furnace output capacity. SHC = Sensible Heat Constant (see table below), an air velocity meter or airflow hood can give a more accurate reading of the system CFM. The measurement for temperature rise should be performed at the indoor coil inlet and near the outlet, but out of direct line of sight of the heater element or heat exchanger. For best results, measure air temperature at multiple points and average the measurements to obtain coil inlet and outlet temperatures.

Altitude (feet)	SENSIBLE HEAT CONSTANT (SHC)	ALTITUDE (FEET)	SENSIBLE HEAT CONSTANT (SHC)
Sea Level	1.08	6000	0.87
500	1.07	7000	0.84
1000	1.05	8000	0.81
2000	1.01	9000	0.78
3000	0.97	10000	0.75
4000	0.94	15000	0.61
5000	0.90	20000	0.50

## 11.0 EVACUATION AND LEAK TESTING

### 11.1 EVACUATION PROCEDURE

Evacuation is the most important part of the entire service procedure. The life and efficiency of the equipment is dependent upon the thoroughness exercised by the serviceman when evacuating air and moisture from the system.

Air or nitrogen in the system causes high condensing temperatures and pressure, resulting in increased power input and non-verifiable performance.

Moisture chemically reacts with the refrigerant and oil to form corrosive hydrofluoric acid. This attacks motor windings and parts, causing breakdown.

- After the system has been leak-checked and proven sealed, connect the vacuum pump and evacuate system to 500 microns and hold 500 microns or less for at least 15 minutes. The vacuum pump must be connected to both the high and low sides of the system by connecting to the two pressure ports. Use the largest size connections available since restrictive service connections may lead to false readings because of pressure drop through the fittings.

- After adequate evacuation, open both service valves by removing both brass service valve caps with an adjustable wrench. Insert a 3/16" [5 mm] or 5/16" [8 mm] hex wrench into the stem and turn counterclockwise until the wrench stops.
- At this time gauges must be connected to the access fitting on the liquid line (small) service valve and the common suction port connected to the common suction line between the reversing valve and compressor to check and adjust charge.

**IMPORTANT:** Compressors (especially scroll type) should never be used to evacuate the air conditioning system because internal electrical arcing may result in a damaged or failed compressor. Never run a scroll compressor while the system is in a vacuum or compressor failure will occur.

## 11.2 FINAL LEAK TESTING

After the unit has been properly evacuated and service valves opened, a halogen leak detector should be used to detect leaks in the system. If a leak is detected, the refrigerant should be recovered before repairing the leak. The Clean Air Act prohibits releasing refrigerant into the atmosphere.

## 12.0 CHECKING REFRIGERANT CHARGE

### WARNING

The top of the scroll compressor shell is hot. Touching the compressor top may result in serious personal injury.

Charge for all systems should be checked against the Charging Chart inside the access panel cover.

**IMPORTANT:** Use factory-approved charging method as outlined on the next 4 pages to ensure proper system charge.

### NOTICE

The optimum refrigerant charge for any outdoor unit matched with a CFL/CFM/H\*L indoor coil/air handler is affected by the application. Therefore, charging data has been developed to assist the field technician in optimizing the charge for all mounting configurations (UF – Upflow, DF – downflow, LH – Left Hand Discharge, and RH – Right Hand Discharge). Refer to the charging chart inside the access panel cover on the unit and choose the appropriate column for the specific application being installed or serviced. New installations utilizing either a CFL/CFM indoor coil installed on a gas furnace or an H\*L air handler in the downflow or horizontal right hand discharge may require removal of refrigerant since the factory charge could result in an overcharge condition.

## 12.1 CHARGING UNITS WITH R-410A REFRIGERANT

### CAUTION

R-410A pressures are approximately 60% higher (1.6 times) than R-22 pressures. Use appropriate care when using this refrigerant. Failure to exercise care may result in equipment damage or personal injury.

Charge for all systems should be checked against the Charging Chart inside the access panel cover.

**IMPORTANT:** Do not operate the compressor without charge in the system.

Addition of R-410A will raise high-side pressures (liquid, and discharge).

### NOTICE

System maintenance is to be performed by a qualified and certified technician.

The following method is used for charging systems in the cooling and heating mode. All steps listed should be performed to insure proper charge has been set. For measuring pressures, the service valve port on the liquid valve (small valve) and the service port on the suction line between the reversing valve and compressor are to be used.

## CONFIRM ID AIR FLOW & COILS ARE CLEAN

Confirm adequate Indoor supply air flow prior to starting the system. See the Technical Specification sheet for rated air flow for each ID/OD unit match. Air filter(s) and coils (indoor & outdoor) are to be clean and free of frost prior to starting the system. Supply Air flow must be between 375 and 450 cfm per rated cooling ton prior to adjusting system charge. If a humidification system is installed disengage it from operating prior to charge adjustment. Refer to the "Checking Airflow" section of this manual for further instruction.

### NOTICE

**Verify system components are matched according to the outdoor unit Specification Sheet.**

## 12.2 MEASUREMENT DEVICE SETUP

- Step 1. With an R410A gauge set, attach the high pressure hose to the access fitting on the liquid line (small) service valve at the OD unit.
- Step 2. Attach the low pressure hose to the common suction port connected to the common suction line between the reversing valve and compressor.
- Step 3. Attach a temperature probe within 6" outside of the unit on the copper liquid line (small line). For more accurate measurements clean the copper line prior to measurement and use a calibrated clamp on temperature probe or an insulated surface thermocouple.

## 12.3 CHARGING BY WEIGHT

### NOTICE

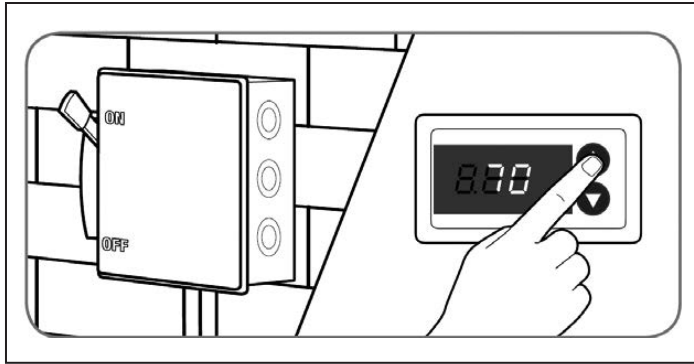
**ADJUST THE SYSTEM CHARGE BY WEIGHT FOR THE STRAIGHT LENGTH OF THE REFRIGERANT LINE SET.**

For a new installation, evacuation of interconnecting tubing and indoor coil is adequate; otherwise, evacuate the entire system. Use the factory charge shown in "Electrical and Physical Data" on page 6 of these instructions or on the unit data plate. Note that the charge value includes charge required for 15 ft. [4.6 m] of standard-size inter-connecting liquid line without a filter drier. Calculate actual charge required with installed liquid line size and length using:

1/4" [6.4 mm] O.D. = .3 oz./ft. [8.5 g/.30 m]  
5/16" [7.9 mm] O.D. = .4 oz./ft. [11.3 g/.30 m]  
3/8" [9.5 mm] O.D. = .6 oz./ft. [17.0 g/.30 m]  
1/2" [12.7 mm] O.D. = 1.2 oz./ft. [34.0 g/.30 m]  
Add 6 oz. for field-installed filter drier.

With an accurate scale (+/- 1 oz. [28.3 g]) or volumetric charging device, adjust charge difference between that shown on the unit data plate and that calculated for the new system installation. If the entire system has been evacuated, add the total calculated charge.

**IMPORTANT:** Charging by weight is not always accurate since the application can affect the optimum refrigerant charge. Charging by weight is considered a starting point ONLY. Always check the charge by using the charging chart and adjust as necessary. CHARGING BY LIQUID SUB-COOLING MUST BE USED FOR FINAL CHARGE ADJUSTMENT.



With thermostat in the “Off” position, turn the power on to the furnace or air handler. Start the furnace or air handler with the thermostat.

## 12.4 GROSS CHARGING BY PRESSURES

Step 1. Following air flow verification and charge weigh in, run the unit for a minimum of 15 minutes prior to noting pressures and temperature.

**IMPORTANT:** Indoor conditions as measured at the indoor coil must be within 2°F of the following during gross charge (pressure) evaluation:

Cooling Mode: 80°F Dry Bulb

### **▲ NOTICE**

**If the Indoor temperature is above or below this range, run the system to bring the temperature down or run the electric heat/furnace to bring the temperature within this range. System pressure values provided in the Charge Chart for outdoor dry bulbs corresponding to conditions outside of ranges listed below, are provided as reference ONLY.**

Step 2. Note the Outdoor Dry Bulb Temperature, ODDB°F = \_\_\_\_\_°F. Unit charging is recommended under the following outdoor conditions ONLY:

Cooling Mode ONLY: 55°F outdoor dry bulb and above

Step 3. Locate and note the design pressures. The correct liquid and vapor pressures are found at the intersection of the Installed system and the outdoor ambient temperature on the Charging Chart located on the inside of the control box cover of the outdoor unit.

Liquid Pressure: = \_\_\_\_\_psig; Vapor Pressure = \_\_\_\_\_psig

### **▲ NOTICE**

**The refrigerant pressures provided are for gross charge check ONLY. These pressure values are typical, but may vary due to application. Evaporator (indoor coil in cooling mode) load will cause pressures to deviate. Notice that all systems have unique pressure curves. The variation in the slope and value is determined by the component selection for that indoor/outdoor matched system. The variation from system to system seen in the table is normal. The values listed are for the applicable indoor coil match ONLY!**

Step 4. If the measured liquid pressure is below the listed requirement for the given outdoor and indoor conditions, add charge. If the measured liquid pressure is above the listed requirement for the given Outdoor and Indoor conditions remove charge.

## 12.5 FINAL CHARGE BY SUB-COOLING

Step 1. After gross charging note the designed Sub-Cool value. The correct sub-cooling value is found at the intersection of the Installed system and the outdoor ambient temperature on the Charging Chart located on the inside of the control box cover of the outdoor unit.

SC° from Charging Chart = \_\_\_\_\_°F.



**IMPORTANT:** Indoor conditions as measured at the indoor coil are required to be between 70°F and 80°F dry bulb for fine tune unit charge adjustment. Unit charging is recommended under the following outdoor conditions ONLY:

Cooling Mode ONLY: 55°F outdoor dry bulb and above

**⚠ NOTICE**

**If the Indoor temperature is above or below the recommended range, run the system to bring the temperature down or run the electric heat/furnace to bring the temperature up. System sub-cooling values provided in the Charge Chart for outdoor dry bulbs corresponding to conditions outside of the above range, are provided as reference ONLY.**

Step 2. Note the measured Liquid Pressure, Pliq = \_\_\_\_\_psig, as measured from the liquid (small) service valve. Use the pressure temperature chart below to note the corresponding saturation temperature for R410A at the measured liquid pressure.

Liquid Saturation Temperature, SAT°F= \_\_\_\_\_°F.

**TABLE 7**

SATURATION TEMP (Deg. F)	R-410A PSIG	SATURATION TEMP (Deg. F)	R-410A PSIG	SATURATION TEMP (Deg. F)	R-410A PSIG	SATURATION TEMP (Deg. F)	R-410A PSIG
-150	-	-30	17.9	35	107.5	100	317.4
-140	-	-25	22	40	118.5	105	340.6
-130	-	-20	26.4	45	130.2	110	365.1
-120	-	-15	31.3	50	142.7	115	390.9
-110	-	-10	36.5	55	156.0	120	418.0
-100	-	-5	42.2	60	170.1	125	446.5
-90	-	0	48.4	65	185.1	130	476.5
-80	-	5	55.1	70	201.0	135	508.0
-70	-	10	62.4	75	217.8	140	541.2
-60	0.4	15	70.2	80	235.6	145	576.0
-50	5.1	20	78.5	85	254.5	150	612.8
-40	10.9	25	87.5	90	274.3		
-35	14.2	30	97.2	95	295.3		

Step 3. Note the liquid line temperature, Liq° = \_\_\_\_\_°F, as measured from a temperature probe located within 6" outside of the unit on the copper liquid line (small line). It is recommended to use a calibrated clamp on temperature probe or an insulated surface thermocouple.

Step 4. Subtract the liquid line temperature (Step 3) from the saturation temperature (Step 2) to calculate Sub-Cooling. SAT°F \_\_\_\_\_ - Liq° \_\_\_\_\_ = SC° \_\_\_\_\_

Step 5. Adjust Charge to obtain the specified sub-cooling value. If the measured sub-cool is below the listed requirement for the given outdoor and indoor conditions, add charge. If the measured sub-cool is above the listed requirement for the given outdoor and indoor conditions remove charge.

**IMPORTANT:** Excessive use of elbows in the refrigerant line set can produce excessive pressure drop. Follow industry best practices for installation. Installation and commissioning of this equipment is to be performed by trained and qualified HVAC professionals. For technical assistance contact your Distributor Service Coordinator.

## WARNING

**TURN OFF ELECTRIC POWER AT THE FUSE BOX OR SERVICE PANEL BEFORE MAKING ANY ELECTRICAL CONNECTIONS.**

**ALSO, THE GROUND CONNECTION MUST BE COMPLETED BEFORE MAKING LINE VOLTAGE CONNECTIONS. FAILURE TO DO SO CAN RESULT IN ELECTRICAL SHOCK, SEVERE PERSONAL INJURY OR DEATH.**

## 12.6 FINISHING UP INSTALLATION

- Disconnect pressure gauges from pressure ports; then replace the pressure port caps and tighten adequately to seal caps. **Do not over tighten.**
- Replace the service valve caps finger-tight and then tighten with an open-end wrench adequately to seal caps. **Do not over tighten.**
- Replace control box cover and service panel and install screws to secure service panel.
- Restore power to unit at disconnect if required.
- Configure indoor thermostat per the thermostat installation instructions and set thermostat to desired mode and temperature.

## 13.0 ELECTRICAL WIRING

Field wiring must comply with the National Electric Code (C.E.C. in Canada) and any applicable local code.

### 13.1 GROUNDING

A grounding lug is provided near the contactor for a ground wire.

## WARNING

**THE UNIT MUST BE PERMANENTLY GROUNDED. FAILURE TO DO SO CAN CAUSE ELECTRICAL SHOCK RESULTING IN SEVERE PERSONAL INJURY OR DEATH.**

### 13.2 POWER WIRING

It is important that proper electrical power from a commercial utility is available at the condensing unit contactor. Voltage ranges for operation are shown in Table 7.

Power wiring must be run in a rain-tight conduit. Conduit must be run through the connector panel below the access cover (See Figure 1) and attached to the bottom of the control box.

Connect power wiring to contactor located in outdoor condensing unit electrical box. (See wiring diagram attached to unit access panel.)

Check all electrical connections, including factory wiring within the unit and make sure all connections are tight.

DO NOT connect aluminum field wire to the contactor terminals.

**TABLE 8**  
VOLTAGE RANGES (60 HZ)

Nameplate Voltage	Operating Voltage Range Maximum Load Design Conditions for Compressors
208/230 (1 & 3 Phase)	187 - 253
460 (3 Phase)	414 - 506
575 (3 Phase)	517 - 633

### 13.3 CONTROL WIRING

(See Figure 2)

If the low voltage control wiring is run in conduit with the power supply, Class I insulation is required. Class II insulation is required if run separate. Low voltage wiring may be run through the insulated bushing provided in the 7/8 hole in the base panel, up to and attached to the pigtailed from the bottom of the control box. Conduit can be run to the base panel if desired by removing the insulated bushing.

A thermostat and a 24 volt, 40 VA minimum transformer are required for the control circuit of the condensing unit. The furnace or the air handler transformer may be used if sufficient. See the wiring diagram for reference. Use 18-gauge thermostat wire only.

# 14.0 FIELD INSTALLED ACCESSORIES

## 14.1 COMPRESSOR CRANKCASE HEAT (CCH)

While scroll compressors usually do not require crankcase heaters, there are instances when a heater should be added. Refrigerant migration during the off cycle can result in a noisy start up. Add a crankcase heater to minimize refrigerate migration, and to help eliminate any start up noise or bearing “wash out.”

**NOTE:** The installation of a crankcase heater is recommended if the system charge exceeds the values listed in Table 8.

All heaters are located on the lower half of the compressor shell. Its purpose is to drive refrigerant from the compressor shell during long off cycles, thus preventing damage to the compressor during start-up.

At initial start-up or after extended shutdown periods, make sure the heater is energized for at least 12 hours before the compressor is started. (Disconnect switch on and wall thermostat off.)

**TABLE 9**  
MAXIMUM SYSTEM CHARGE VALUES – 13 SEER (1-PHASE)

13 SEER Model Size	Compressor Model Number	Charge Limit Without Crankcase Heat (1 Phase)
18	ZP14K5E	9.6 lbs.
24	ZP20K5E	9.6 lbs.
30	ZP24K5E	9.6 lbs.
36	ZP31K5E	9.6 lbs.
42	ZP36K5E	12 lbs.
48	ZP42K5E	12 lbs.
60	ZP51K5E	12 lbs.

MAXIMUM SYSTEM CHARGE VALUES – 13 SEER (3-PHASE)

13 SEER Model Size	Compressor Model Number	Charge Limit Without Crankcase Heat (3 Phase)
36	ZP31K5E	8 lbs.
42	ZP36K5E	10 lbs.
48	ZP42K5E	10 lbs.

**NOTE:** Model size 60 has a factory installed crankcase heater.

MAXIMUM SYSTEM CHARGE VALUES – 14.5 SEER

14.5 SEER Model Size	Compressor Model Number	Charge Limit Without Crankcase Heat (1 Phase)
18	ZP16K5E	9.6 lbs.
24	ZP20K5E	9.6 lbs.
30	ZP24K5E	9.6 lbs.
36	ZP31K5E	9.6 lbs.
42	ZP34K5E	12 lbs.

**NOTE:** Model sizes 48, 49, 56 and 60 have a factory installed crankcase heater.

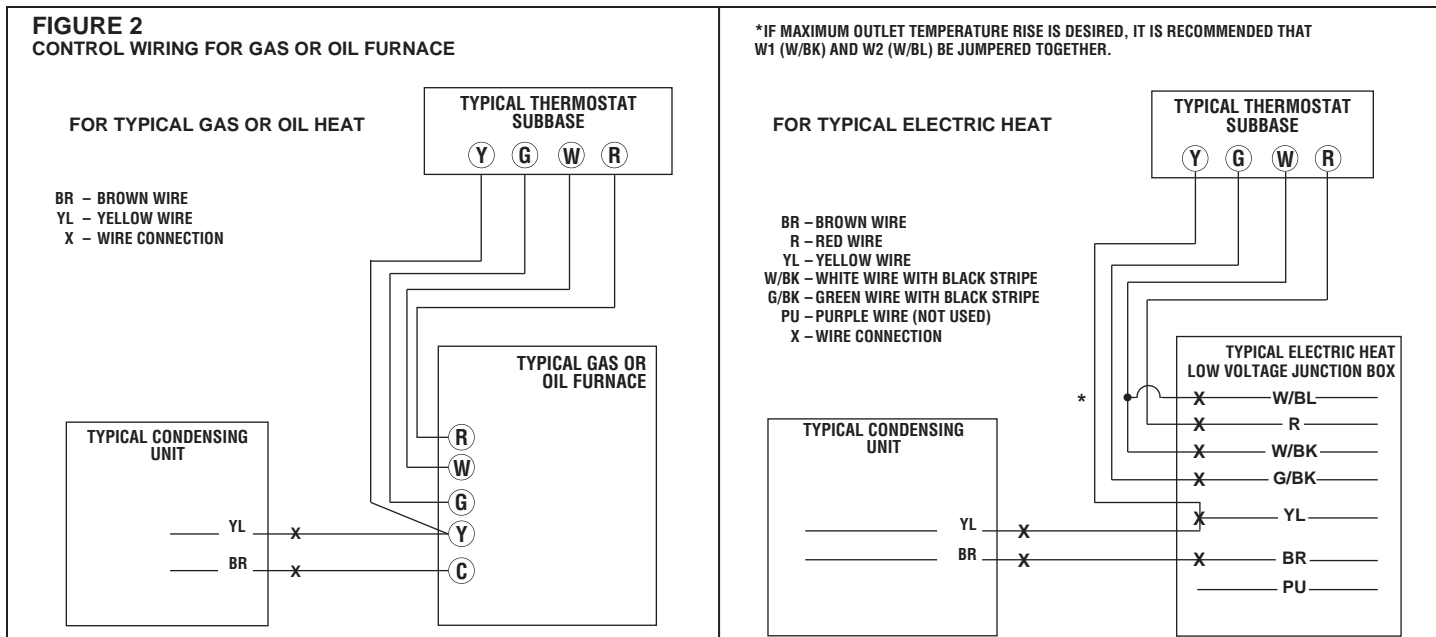
## 14.2 TIME DELAY CONTROL (TDC)

The time delay (TDC) is in the low voltage control circuit. When the compressor shuts off due to a power failure or thermostat operation, this control keeps it off at least 5 minutes which allows the system pressure to equalize, thus not damaging the compressor or blowing fuses on start-up.

## 14.3 LOW AMBIENT CONTROL (LAC)

This component senses compressor head pressure and shuts the heat pump fan off when the head pressure drops to approximately 220 PSIG [1516.8 kPa]. This allows the unit to build a sufficient head pressure at lower ambient in order to maintain system balance and obtain improved capacity. Low ambient control should be used on all equipment operated below 70°F [21.1°C] ambient.

**FIGURE 2**  
CONTROL WIRING FOR GAS OR OIL FURNACE



## 14.4 HIGH AND LOW PRESSURE CONTROLS (HPC & LPC)

These controls keep the compressor from operating in pressure ranges which can cause damage to the compressor. Both controls are in the low voltage control circuit.

High pressure control (HPC) is an auto-reset which opens near 610 PSIG and closes at 420 PSIG.

The low pressure control (LPC) is an automatic reset which opens near 50 PSIG and closes near 95 PSIG.

## 15.0 SERVICE

### 15.1 OPERATION

Single phase units are operated PSC (no starting components). It is important that such systems be off for a minimum of 5 minutes before restarting to allow equalization of pressure. The thermostat should not be moved to cycle unit without waiting 5 minutes. To do so may cause the compressor to go off on an automatic overload device or blow a fuse. Poor electrical service can also cause nuisance tripping on overloads, trip a breaker, or cause light dimming. This generally can be corrected by adding start components. Check with factory for recommended start components, if required. For PSC type operation, refrigerant metering must be done with fixed orifice, cap tubes or bleed type expansion valves because of low starting torque. If non-bleed expansion valve coils (supplied by factory) are used, start components are required.

### 15.2 SINGLE-POLE COMPRESSOR CONTACTOR (CC)

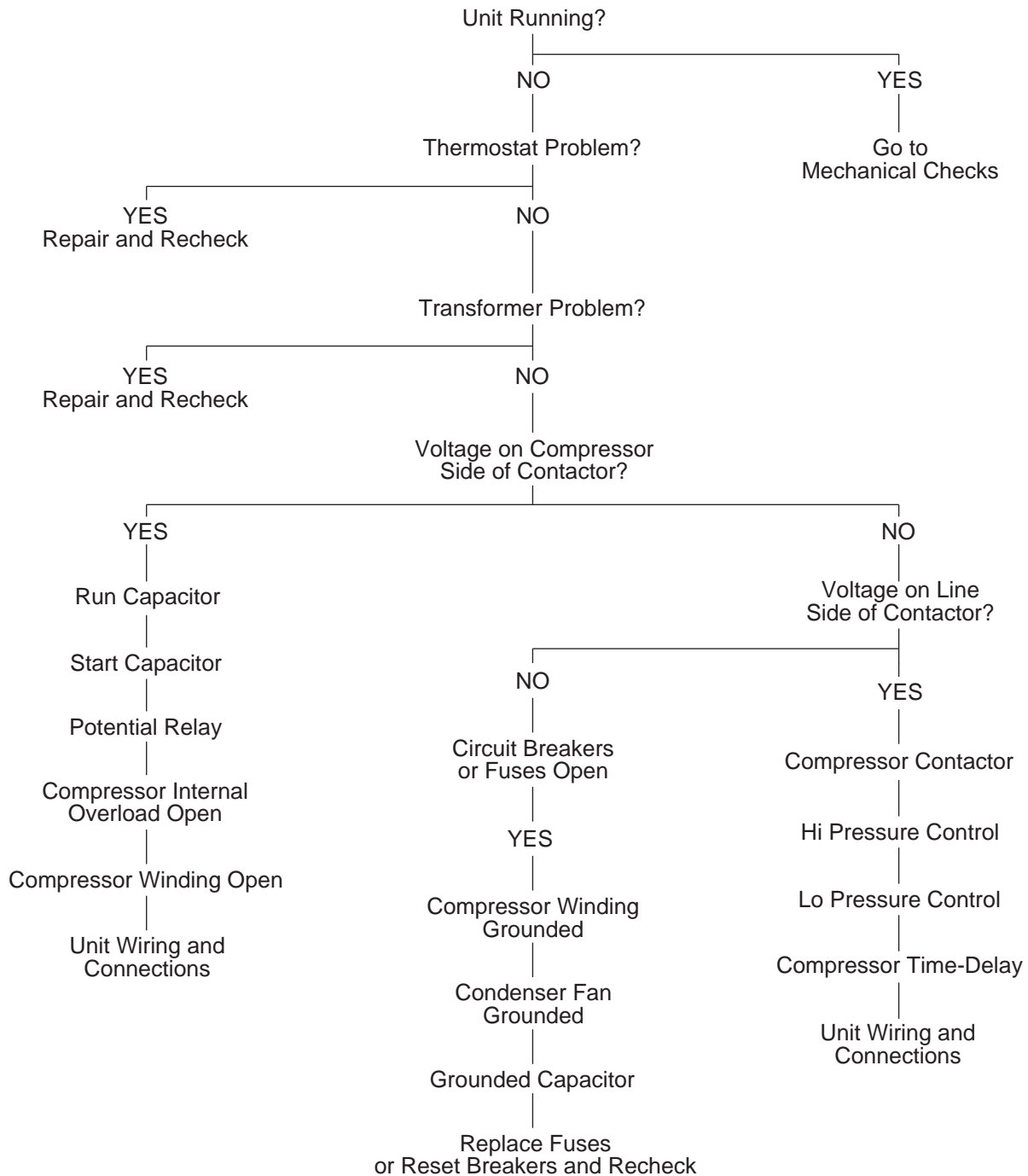
Single-pole contactors are used on all standard single phase units up through 5 tons. Caution must be exercised when servicing as only one leg of the power supply is broken with the contactor.

# 16.0 TROUBLE SHOOTING

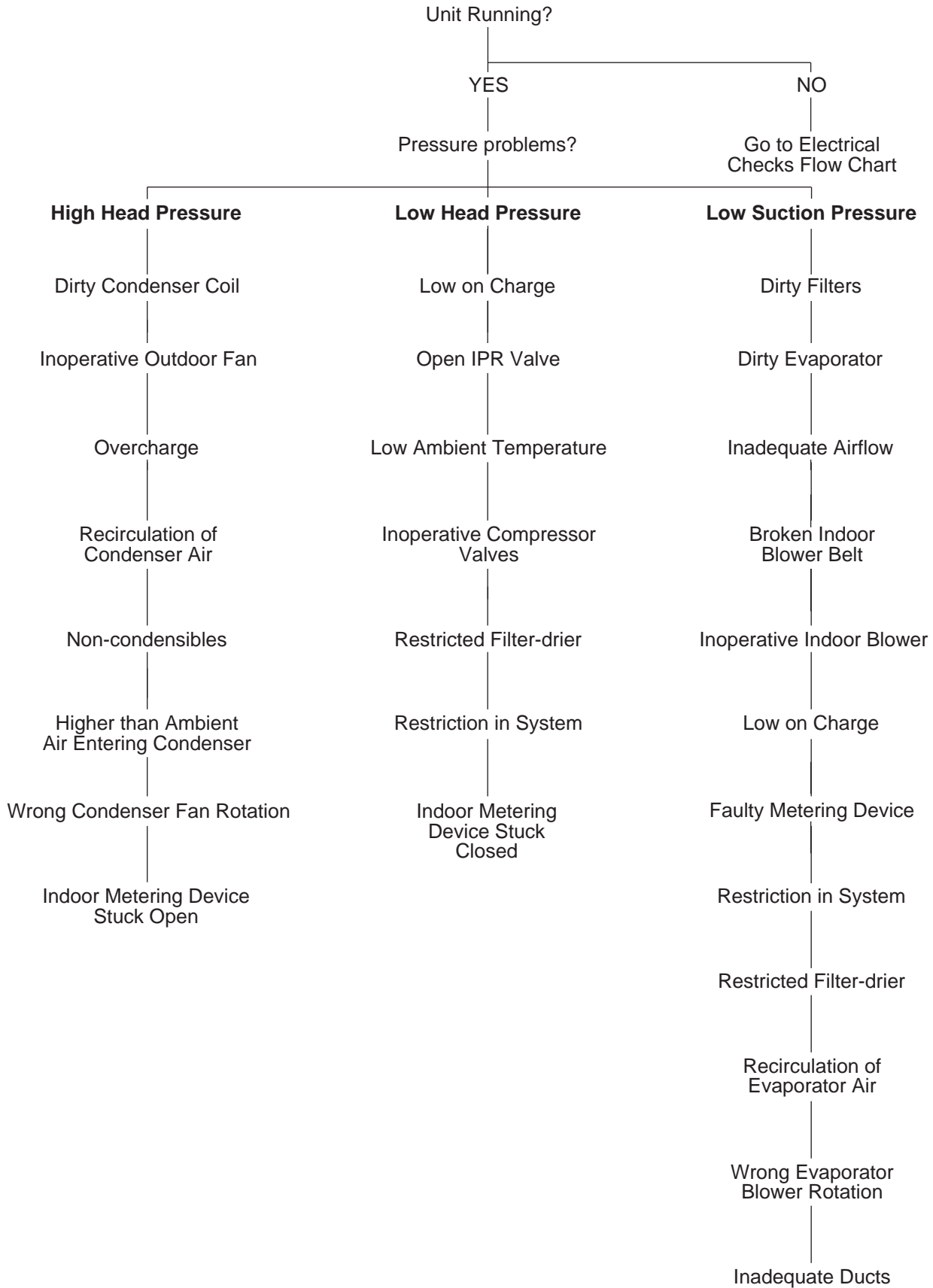
In diagnosing common faults in the air conditioning system, it is useful to present the logical pattern of thought that is used by experienced technicians. The charts which follow are not intended to be an answer to all problems, but only to guide your thinking as you attempt to decide on your course of action. Through a series of yes and no answers, you will follow the logical path to a likely conclusion.

Use these charts as you would a road map, if you are a beginning technician. As you gain experience, you will learn where to establish the shortcuts. Remember that the chart will help clarify the logical path to the problem.

## 16.1 ELECTRICAL CHECKS FLOW CHART



## 16.2 MECHANICAL CHECKS FLOW CHART





**TABLE 10**  
TEMPERATURE PRESSURE CHART

TEMP (Deg. F)	R-410A PSIG
-150	—
-140	—
-130	—
-120	—
-110	—
-100	—
-90	—
-80	—
-70	—
-60	0.4
-50	5.1
-40	10.9
-35	14.2
-30	17.9
-25	22.0
-20	26.4
-15	31.3
-10	36.5
-5	42.2
0	48.4
5	55.1
10	62.4
15	70.2
20	78.5
25	87.5
30	97.2
35	107.5
40	118.5
45	130.2
50	142.7
55	156.0
60	170.1
65	185.1
70	201.0
75	217.8
80	235.6
85	254.5
90	274.3
95	295.3
100	317.4
105	340.6
110	365.1
115	390.9
120	418.0
125	446.5
130	476.5
135	508.0
140	541.2
145	576.0
150	612.8

### 16.3 SUPERHEAT CALCULATION

1. Measure the suction pressure at the suction line service valve.
2. Convert the suction pressure to saturated temperature. See Table 10.
3. Measure the temperature of the suction line at the suction line service valve.
4. Compare the temperature of the suction line to the saturated temperature.
5. The difference between saturated temperature and suction line temperature is the superheat. Superheat normal range 12° to 15°.

### 16.4 SUBCOOLING CALCULATION

1. Measure the liquid pressure at the liquid line service valve.
2. Convert the liquid line pressure to saturated temperature. See Table 10.
3. Measure the liquid line temperature at the liquid line service valve.
4. Compare the liquid line temperature to the saturated temperature.
5. The difference between saturated temperature and liquid line temperature is the subcooling. Subcooling normal range 9° to 12°.

**TABLE 11**  
AIR CONDITIONING SYSTEM TROUBLESHOOTING TIPS

AIR CONDITIONING SYSTEM TROUBLESHOOTING TIPS					
SYSTEM PROBLEM	INDICATORS				
	DISCHARGE PRESSURE	SUCTION PRESSURE	SUPERHEAT	SUBCOOLING	COMPRESSOR AMPS
Overcharge	High	High	Low	High	High
Undercharge	Low	Low	High	Low	Low
Liquid Restriction (Drier)	Low	Low	High	High	Low
Low Evaporator Airflow	Low	Low	Low	Low	Low
Dirty Condenser	High	High	Low	Low	High
Low Outside Ambient Temperature	Low	Low	High	High	Low
Inefficient Compressor	Low	High	High	High	Low
TXV Feeler Bulb Charge Lost	Low	Low	High	High	Low
Poorly Insulated Sensing Bulb	High	High	Low	Low	High

## TROUBLE SHOOTING CHART

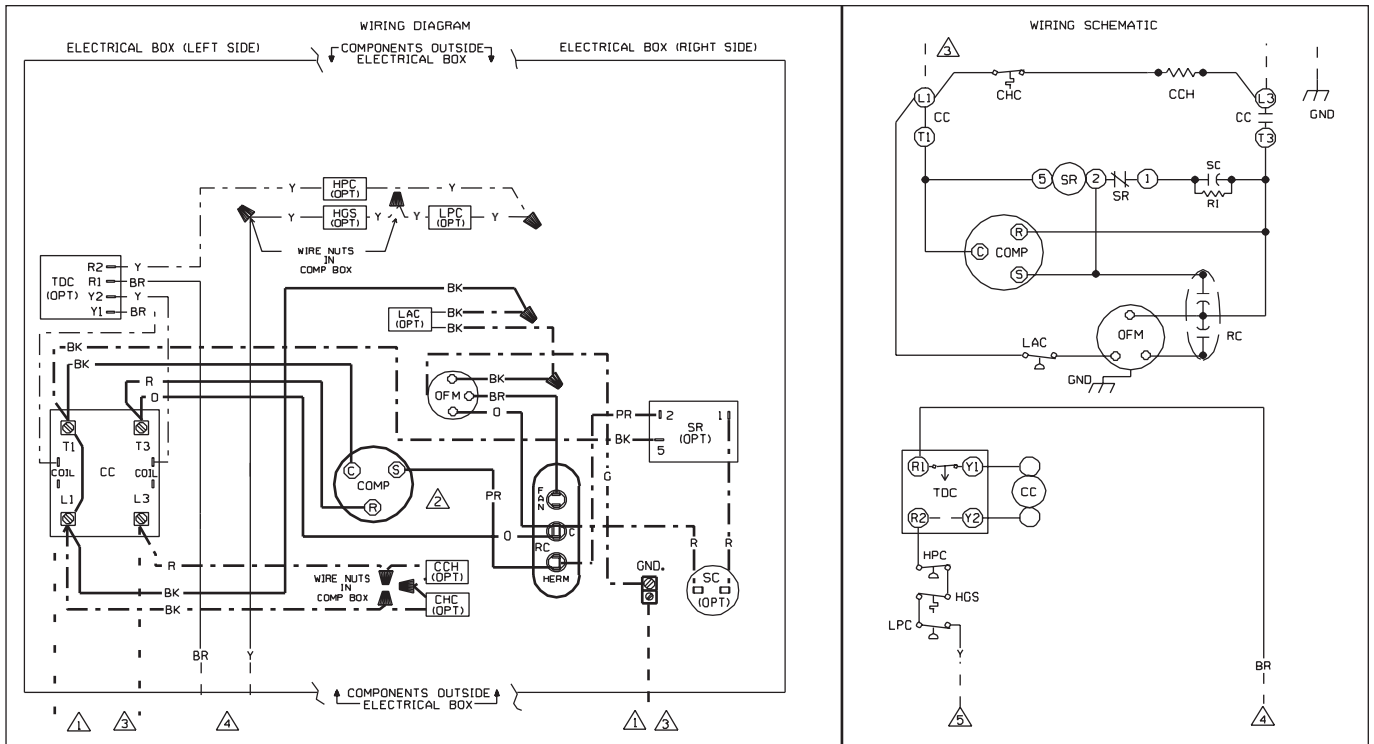
**▲ WARNING**

**DISCONNECT ALL POWER TO UNIT BEFORE SERVICING. CONTACTOR MAY BREAK ONLY ONE SIDE. FAILURE TO SHUT OFF POWER CAN CAUSE ELECTRICAL SHOCK RESULTING IN PERSONAL INJURY OR DEATH.**

SYMPTOM	POSSIBLE CAUSE	REMEDY
Unit will not run	<ul style="list-style-type: none"> <li>• Power off or loose electrical connection</li> <li>• Thermostat out of calibration-set too high</li> <li>• Defective contactor</li> <li>• Blown fuses / tripped breaker</li> <li>• Transformer defective</li> <li>• High pressure control open (if provided)</li> </ul>	<ul style="list-style-type: none"> <li>• Check for correct voltage at contactor in condensing unit</li> <li>• Reset</li> <li>• Check for 24 volts at contactor coil - replace if contacts are open</li> <li>• Replace fuses / reset breaker</li> <li>• Check wiring-replace transformer</li> <li>• Reset-also see high head pressure remedy-The high pressure control opens at 450 PSIG</li> </ul>
Outdoor fan runs, compressor doesn't	<ul style="list-style-type: none"> <li>• Run or start capacitor defective</li> <li>• Start relay defective</li> <li>• Loose connection</li> <li>• Compressor stuck, grounded or open motor winding, open internal overload.</li> <li>• Low voltage condition</li> </ul>	<ul style="list-style-type: none"> <li>• Replace</li> <li>• Replace</li> <li>• Check for correct voltage at compressor - check &amp; tighten all connections</li> <li>• Wait at least 2 hours for overload to reset. If still open, replace the compressor.</li> <li>• Add start kit components</li> </ul>
Insufficient cooling	<ul style="list-style-type: none"> <li>• Improperly sized unit</li> <li>• Improper indoor airflow</li> <li>• Incorrect refrigerant charge</li> <li>• Air, non-condensibles or moisture in system</li> </ul>	<ul style="list-style-type: none"> <li>• Recalculate load</li> <li>• Check - should be approximately 400 CFM per ton.</li> <li>• Charge per procedure attached to unit service panel</li> <li>• Recover refrigerant, evacuate &amp; recharge, add filter drier</li> </ul>
Compressor short cycles	<ul style="list-style-type: none"> <li>• Incorrect voltage</li> <li>• Defective overload protector</li> <li>• Refrigerant undercharge</li> </ul>	<ul style="list-style-type: none"> <li>• At compressor terminals, voltage must be <math>\pm 10\%</math> of nameplate marking when unit is operating.</li> <li>• Replace - check for correct voltage</li> <li>• Add refrigerant</li> </ul>
Registers sweat	<ul style="list-style-type: none"> <li>• Low indoor airflow</li> </ul>	<ul style="list-style-type: none"> <li>• Increase speed of blower or reduce restriction - replace air filter</li> </ul>
High head-low vapor pressures	<ul style="list-style-type: none"> <li>• Restriction in liquid line, expansion device or filter drier</li> <li>• Flowcheck piston size too small</li> <li>• Incorrect capillary tubes</li> </ul>	<ul style="list-style-type: none"> <li>• Remove or replace defective component</li> <li>• Change to correct size piston</li> <li>• Change coil assembly</li> </ul>
High head-high or normal vapor pressure - Cooling mode	<ul style="list-style-type: none"> <li>• Dirty outdoor coil</li> <li>• Refrigerant overcharge</li> <li>• Outdoor fan not running</li> <li>• Air or non-condensibles in system</li> </ul>	<ul style="list-style-type: none"> <li>• Clean coil</li> <li>• Correct system charge</li> <li>• Repair or replace</li> <li>• Recover refrigerant, evacuate &amp; recharge</li> </ul>
Low head-high vapor pressures	<ul style="list-style-type: none"> <li>• Flowcheck piston size too large</li> <li>• Defective Compressor valves</li> <li>• Incorrect capillary tubes</li> </ul>	<ul style="list-style-type: none"> <li>• Change to correct size piston</li> <li>• Replace compressor</li> <li>• Replace coil assembly</li> </ul>
Low vapor - cool compressor - iced indoor coil	<ul style="list-style-type: none"> <li>• Low indoor airflow</li> <li>• Operating below 65°F outdoors</li> <li>• Moisture in system</li> </ul>	<ul style="list-style-type: none"> <li>• Increase speed of blower or reduce restriction - replace air filter</li> <li>• Add Low Ambient Kit</li> <li>• Recover refrigerant - evacuate &amp; recharge - add filter drier</li> </ul>
High vapor pressure	<ul style="list-style-type: none"> <li>• Excessive load</li> <li>• Defective compressor</li> </ul>	<ul style="list-style-type: none"> <li>• Recheck load calculation</li> <li>• Replace</li> </ul>
Fluctuating head & vapor pressures	<ul style="list-style-type: none"> <li>• TXV hunting</li> <li>• Air or non-condensibles in system</li> </ul>	<ul style="list-style-type: none"> <li>• Check TXV bulb clamp - check air distribution on coil - replace TXV</li> <li>• Recover refrigerant, evacuate &amp; recharge</li> </ul>
Gurgle or pulsing noise at expansion device or liquid line	<ul style="list-style-type: none"> <li>• Air or non-condensibles in system</li> </ul>	<ul style="list-style-type: none"> <li>• Recover refrigerant, evacuate &amp; recharge</li> </ul>

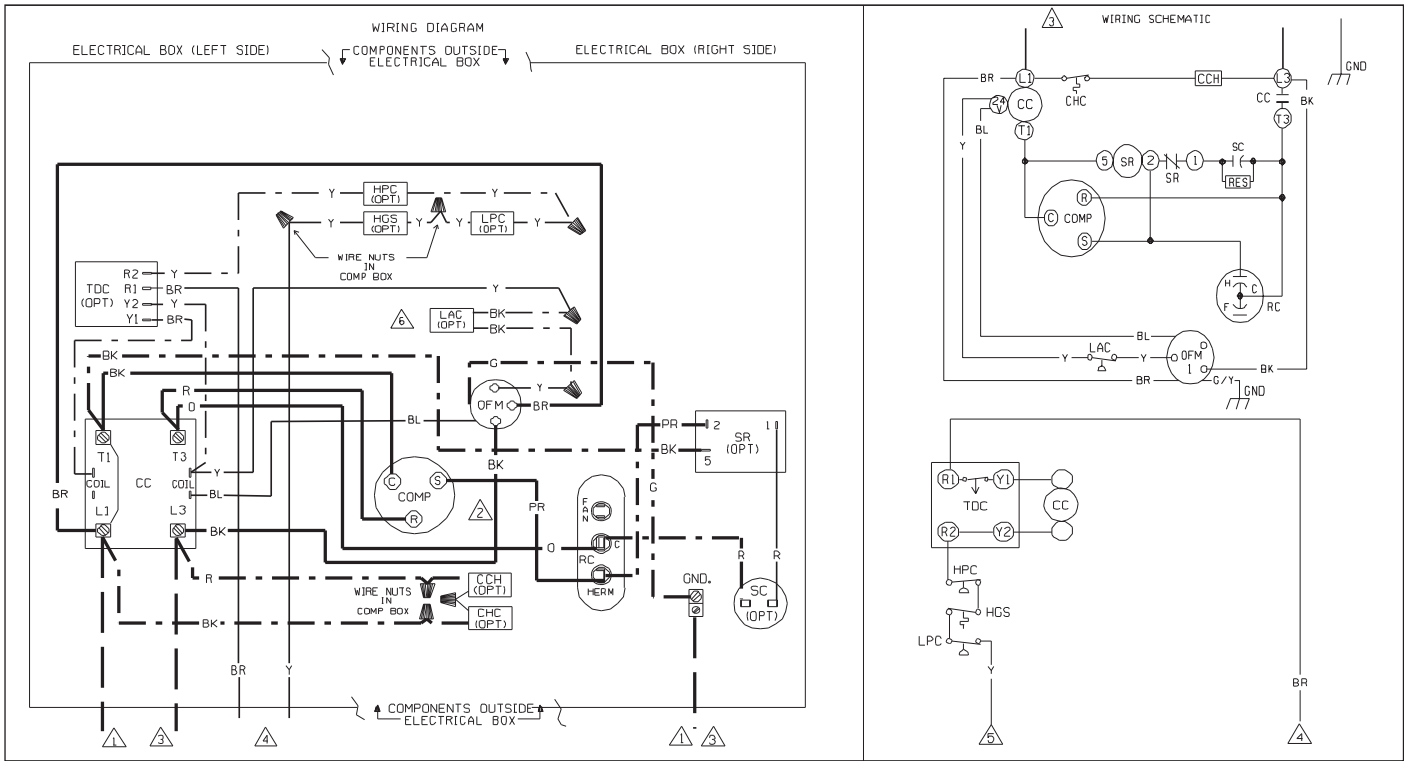
# 17.0 WIRING DIAGRAMS

**FIGURE 3**  
**17.1 PSC OD FAN MOTOR**  
**SINGLE-PHASE WIRING DIAGRAM**



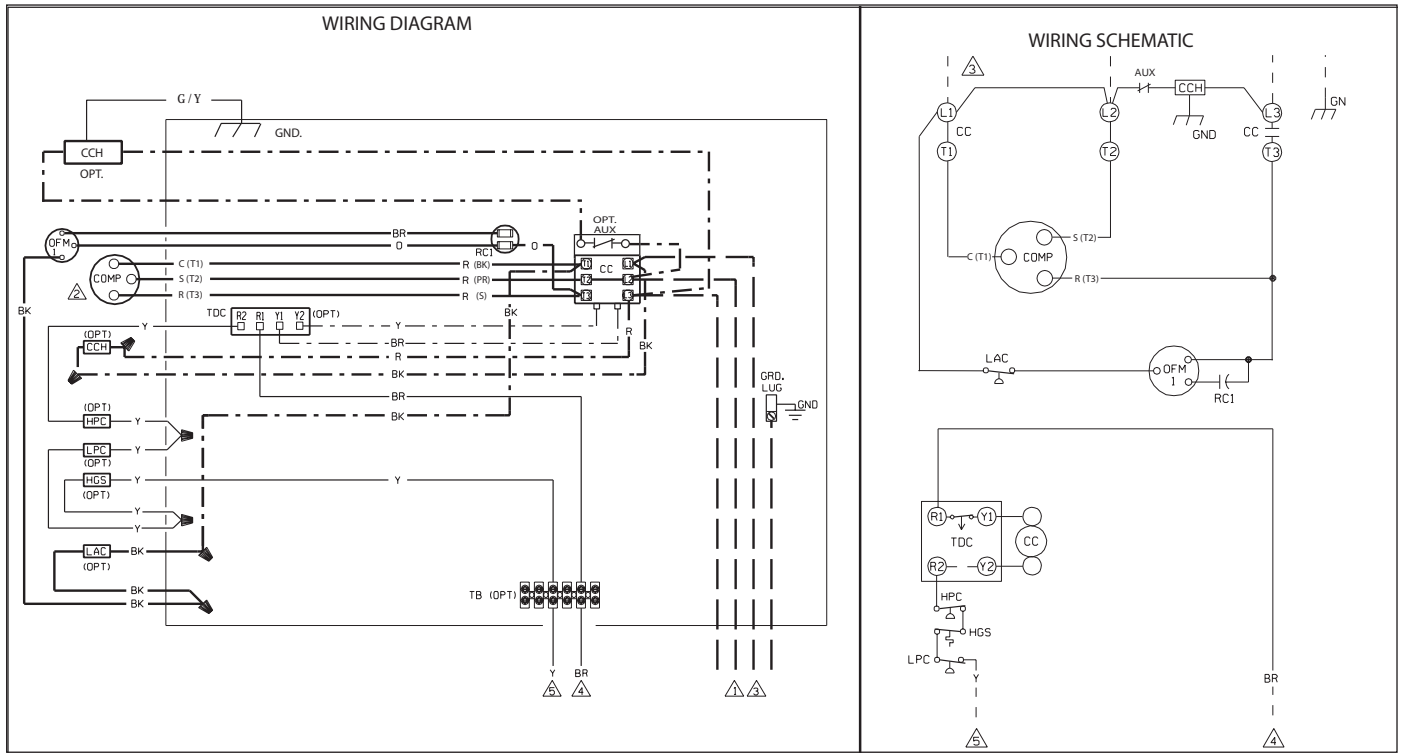
<p style="text-align: center;"><b>COMPONENT CODE</b></p> <p>CC COMPRESSOR CONTACTOR          CCH CRANKCASE HEATER          CHC CRANKCASE HEATER CONTROL          COMP COMPRESSOR          GND GROUND, CHASSIS          HPC HIGH PRESSURE CUT-OUT CONTROL          LAC LOW AMBIENT COOLING CONTROL          LPC LOW PRESSURE CUT-OUT CONTROL          OFM OUTDOOR FAN MOTOR          OPT OPTIONAL          RC RUN CAPACITOR          SC START CAPACITOR          SR START RELAY          TDC TIME DELAY CONTROL          HGS HOT GAS SENSOR          PTCR POSITIVE TEMPERATURE COEFFICIENT RELAY</p>	<p style="text-align: center;"><b>NOTES: ⚠</b></p> <ol style="list-style-type: none"> <li>1. CONNECTORS SUITABLE FOR USE WITH COPPER CONDUCTORS ONLY.</li> <li>2. MOTOR COMPRESSOR THERMALLY PROTECTED AND ALL 3 PHASE ARE PROTECTED UNDER PRIMARY SINGLE PHASE CONDITIONS.</li> <li>3. CONNECT FIELD WIRING IN GROUNDED RAINTIGHT CONDUIT TO 60 HERTZ DISCONNECT, VOLTAGE AND PHASE PER RATING PLATE. USE 60° C WIRE.</li> <li>4. LOW VOLTAGE CIRCUIT TO BE N.E.C. CLASS 2 WITH A CLASS 2 TRANSFORMER 24 VOLT, 60 HERTZ.</li> <li>5. TO THERMOSTAT SUB-BASE, REFER TO SYSTEM SCHEMATICS OR SCHEMATICS ON INDOOR SECTION FOR LOW VOLTAGE CONTROL WIRING.</li> </ol>												
<p style="text-align: center;"><b>WIRING INFORMATION</b></p> <p>LINE VOLTAGE          -FACTORY STANDARD      —————          -FACTORY OPTION        - - - - -          -FIELD INSTALLED       - · · · · ·</p> <p>LOW VOLTAGE          -FACTORY STANDARD      —————          -FACTORY OPTION        - - - - -          -FIELD INSTALLED       - · · · · ·</p> <p>REPLACEMENT WIRE          -MUST BE THE SAME SIZE AND TYPE OF INSULATION AS ORIGINAL (105° C MIN.)</p> <p>WARNING          -CABINET MUST BE PERMANENTLY GROUNDED AND CONFORM TO I.E.C., N.E.C., C.E.C. AND LOCAL CODES AS APPLICABLE.</p>	<p style="text-align: center;"><b>WIRE COLOR CODE</b></p> <table style="width: 100%; border: none;"> <tr> <td>BK__BLACK</td> <td>O__ORANGE</td> </tr> <tr> <td>BR__BROWN</td> <td>PR__PURPLE</td> </tr> <tr> <td>BL__BLUE</td> <td>R__RED</td> </tr> <tr> <td>G__GREEN</td> <td>W__WHITE</td> </tr> <tr> <td>GY__GRAY</td> <td>Y__YELLOW</td> </tr> </table>	BK__BLACK	O__ORANGE	BR__BROWN	PR__PURPLE	BL__BLUE	R__RED	G__GREEN	W__WHITE	GY__GRAY	Y__YELLOW		
BK__BLACK	O__ORANGE												
BR__BROWN	PR__PURPLE												
BL__BLUE	R__RED												
G__GREEN	W__WHITE												
GY__GRAY	Y__YELLOW												
<p><b>WIRING DIAGRAM</b>          REMOTE AIR CONDITIONER          208/230 VOLT SINGLE PHASE</p>													
<table style="width: 100%; border-collapse: collapse;"> <tr> <td style="width: 15%;">DR. BY</td> <td style="width: 15%;">APP. BY</td> <td style="width: 15%;">DATE</td> <td style="width: 15%;">DWG. NO.</td> <td style="width: 15%;">REV</td> <td style="width: 15%;"></td> </tr> <tr> <td>JHB</td> <td></td> <td>01-19-04</td> <td>90-101229-01</td> <td>03</td> <td></td> </tr> </table>		DR. BY	APP. BY	DATE	DWG. NO.	REV		JHB		01-19-04	90-101229-01	03	
DR. BY	APP. BY	DATE	DWG. NO.	REV									
JHB		01-19-04	90-101229-01	03									

**FIGURE 4**  
17.2 ECM OD FAN MOTOR



<p><b>COMPONENT CODE</b></p> <p>CC COMPRESSOR CONTACTOR          CCH CRANKCASE HEATER          CCHC CRANKCASE HEATER CONTROL          COMP COMPRESSOR          GND GROUND, CHASSIS          HPC HIGH PRESSURE CUT-OUT CONTROL          LAC LOW AMBIENT COOLING CONTROL          LPC LOW PRESSURE CUT-OUT CONTROL          OFM OUTDOOR FAN MOTOR          OPT OPTIONAL          RC RUN CAPACITOR          SC START CAPACITOR          SR START RELAY          TDC TIME DELAY CONTROL          HCS HOT GAS SENSOR          PTCR POSITIVE TEMPERATURE COEFFICIENT RELAY</p>	<p><b>NOTES:</b> △</p> <ol style="list-style-type: none"> <li>CONNECTORS SUITABLE FOR USE WITH COPPER CONDUCTORS ONLY.</li> <li>MOTOR COMPRESSOR THERMALLY PROTECTED AND ALL 3 PHASE ARE PROTECTED UNDER PRIMARY SINGLE PHASE CONDITIONS.</li> <li>CONNECT FIELD WIRING IN GROUNDED RAINTIGHT CONDUIT TO 60 HERTZ DISCONNECT, VOLTAGE AND PHASE PER RATING PLATE. USE 60 Ø WIRE.</li> <li>LOW VOLTAGE CIRCUIT TO BE N.E.C. CLASS 2 WITH A CLASS 2 TRANSFORMER 24 VOLT, 60 HERTZ.</li> <li>TO THERMOSTAT SUB-BASE, REFER TO SYSTEM SCHEMATICS OR SCHEMATICS ON INDOOR SECTION FOR LOW VOLTAGE CONTROL WIRING.</li> <li>IF LAC/LAR IS NOT USED, CONNECT YELLOW WIRE FROM OFM TO 24V CC.</li> </ol>																				
<p><b>WIRING INFORMATION</b></p> <p>LINE VOLTAGE          -FACTORY STANDARD ————          -FACTORY OPTION - - - - -          -FIELD INSTALLED ————</p> <p>LOW VOLTAGE          -FACTORY STANDARD ————          -FACTORY OPTION - - - - -          -FIELD INSTALLED ————</p> <p>REPLACEMENT WIRE          -MUST BE THE SAME SIZE AND TYPE OF INSULATION AS ORIGINAL (105 °C MIN.)</p> <p>WARNING          -CABINET MUST BE PERMANENTLY GROUNDED AND CONFORM TO I.E.C., N.E.C., C.E.C. AND LOCAL CODES AS APPLICABLE.</p>	<p><b>WIRE COLOR CODE</b></p> <table border="0"> <tr> <td>BK__BLACK</td> <td>O___ORANGE</td> </tr> <tr> <td>BR__BROWN</td> <td>PR__PURPLE</td> </tr> <tr> <td>BL__BLUE</td> <td>R___RED</td> </tr> <tr> <td>G___GREEN</td> <td>W___WHITE</td> </tr> <tr> <td>GY__GRAY</td> <td>Y___YELLOW</td> </tr> </table> <p><b>WIRING DIAGRAM          REMOTE AIR CONDITIONER          WITH OUTDOOR ECM MOTOR          208/230 VOLT SINGLE PHASE</b></p> <table border="1"> <tr> <td>DR. BY</td> <td>APP. BY</td> <td>DATE</td> <td>DWG. NO.</td> <td>REV</td> </tr> <tr> <td>MGR</td> <td></td> <td>10-8-08</td> <td>90-101229-21</td> <td>00</td> </tr> </table>	BK__BLACK	O___ORANGE	BR__BROWN	PR__PURPLE	BL__BLUE	R___RED	G___GREEN	W___WHITE	GY__GRAY	Y___YELLOW	DR. BY	APP. BY	DATE	DWG. NO.	REV	MGR		10-8-08	90-101229-21	00
BK__BLACK	O___ORANGE																				
BR__BROWN	PR__PURPLE																				
BL__BLUE	R___RED																				
G___GREEN	W___WHITE																				
GY__GRAY	Y___YELLOW																				
DR. BY	APP. BY	DATE	DWG. NO.	REV																	
MGR		10-8-08	90-101229-21	00																	

**FIGURE 5**  
**17.3 PSC OD FAN MOTOR**  
**THREE-PHASE WIRING DIAGRAM**



<p style="text-align: center;"><b>COMPONENT CODE</b></p> <p>CC COMPRESSOR CONTACTOR          CCH CRANKCASE HEATER          COMP COMPRESSOR          GND GROUND, CHASSIS          HGS HOT GAS SENSOR          HPC HIGH PRES. CUT-OUT CONTROL          LAC LOW AMBIENT COOLING CONTROL          LPC LOW PRESSURE CONTROL          OFM OUTDOOR FAN MOTOR          OPT OPTIONAL          RC RUN CAPACITOR          RES RESISTOR          SC START CAPACITOR          SR START RELAY          TB TERMINAL BLOCK          TDC TIME DELAY CONTROL</p>	<p style="text-align: center;"><b>NOTES:</b></p> <ol style="list-style-type: none"> <li>CONNECTORS SUITABLE FOR USE WITH COPPER CONDUCTORS ONLY.</li> <li>COMPRESSOR MOTOR THERMALLY PROTECTED AND ALL 3 PHASE ARE PROTECTED UNDER PRIMARY SINGLE PHASE CONDITIONS.</li> <li>CONNECT FIELD WIRING IN GROUNDED RAIN-TIGHT CONDUIT TO FUSED DISCONNECT, VOLTAGE, HERTZ AND PHASE PER RATING PLATE.</li> <li>LOW VOLTAGE CIRCUIT TO BE N.E.C. CLASS 2 WITH A CLASS 2 TRANSFORMER 24 VOLT, 50 OR 60 HERTZ.</li> <li>TO THERMOSTAT SUB-BASE, REFER TO SYSTEM SCHEMATICS OR SCHEMATICS ON INDOOR SECTION FOR LOW VOLTAGE CONTROL WIRING.</li> </ol>																			
<p style="text-align: center;"><b>WIRING INFORMATION</b></p> <p>LINE VOLTAGE          -FACTORY STANDARD _____          -FACTORY OPTION - - - - -          -FIELD INSTALLED - - - - -</p> <p>LOW VOLTAGE          -FACTORY STANDARD _____          -FACTORY OPTION - - - - -          -FIELD INSTALLED - - - - -</p> <p>REPLACEMENT WIRE          -MUST BE THE SAME SIZE AND TYPE OF INSULATION AS ORIGINAL (105° C MIN.)</p> <p>WARNING          -CABINET MUST BE PERMANENTLY GROUNDED AND CONFORM TO I.E.C., N.E.C., C.E.C. AND LOCAL CODES AS APPLICABLE.</p>	<p style="text-align: center;"><b>WIRE COLOR CODE</b></p> <table border="0"> <tr> <td>BK__BLACK</td> <td>O___ORANGE</td> </tr> <tr> <td>BR__BROWN</td> <td>PR__PURPLE</td> </tr> <tr> <td>BL__BLUE</td> <td>R___RED</td> </tr> <tr> <td>G___GREEN</td> <td>W___WHITE</td> </tr> <tr> <td>GY__GRAY</td> <td>Y___YELLOW</td> </tr> </table> <p style="text-align: center;"><b>ELECTRICAL WIRING DIAGRAM</b>  <b>REMOTE AIR CONDITIONER</b>  <b>THREE PHASE</b></p> <table border="1"> <tr> <td>DR. BY</td> <td>JHB</td> <td>APP. BY</td> <td>DATE</td> <td>6-01-07</td> <td>DWG. NO.</td> <td>90-101229-11</td> <td>REV</td> <td>02</td> </tr> </table>	BK__BLACK	O___ORANGE	BR__BROWN	PR__PURPLE	BL__BLUE	R___RED	G___GREEN	W___WHITE	GY__GRAY	Y___YELLOW	DR. BY	JHB	APP. BY	DATE	6-01-07	DWG. NO.	90-101229-11	REV	02
BK__BLACK	O___ORANGE																			
BR__BROWN	PR__PURPLE																			
BL__BLUE	R___RED																			
G___GREEN	W___WHITE																			
GY__GRAY	Y___YELLOW																			
DR. BY	JHB	APP. BY	DATE	6-01-07	DWG. NO.	90-101229-11	REV	02												

