



13AJL

Parts List
29-May-2013



*This parts list is current as of the above revision date.
See <http://www.rheempartslists.net/92-42805-13AJL.pdf> for the current revision.*

Condensing Units

Table of Contents

Model Explanation	Page 3
Parts Numbers	
Panels - Miscellaneous (Granite-Steel Gray)	Page 4
Panels - Miscellaneous (Neutra Green)	Page 5
Panels - Miscellaneous (ICECO Gray).....	Page 6
Electrical-Fan Group.....	Page 7
Coil Parts	Page 7
Compressor Group	Page 8
Accessories	Page 9
Drawings/Photographs	
Exploded View	Page 10
Control Box.....	Page 11
Valve Mounting Detail.....	Page 12
Notes/Disclaimer	Page 13

MODEL NUMBER EXPLANATION

1	3	A	J	L	1	8	A	0	1
1		2	3	4	5		6		7

- | | |
|--|---|
| <p>(1) SEER
13 = SEER Rating</p> <p>(2) MODEL
A = Condensing Unit</p> <p>(3) VOLTAGE
J = 208-230/1/60</p> <p>(4) DESIGN SERIES</p> | <p>(5) COOLING CAPACITY (BTU/HR)
018= 18,000
024= 24,000
030= 30,000
036= 36,000
042= 42,000
048= 48,000
060= 60,000</p> <p>(6) CABINET
A = Full Metal Jacket</p> <p>(7) NAMEPLATE</p> |
|--|---|

SERIAL NUMBER EXPLANATION

7	0	9	2	M	0	7	0	1	9	9	9	9	9
	1			2		3		4			5		

- (1) **COMPRESSOR IDENTIFICATION NUMBER**
- (2) **PRODUCTION LOCATION**
- (3) **WEEK OF PRODUCTION**
- (4) **YEAR OF PRODUCTION**
- (5) **PRODUCTION NUMBER**

No.	Notes	MODEL COOLING CAPACITY VARIATION	13AJL 18 A01	13AJL 24 A01	13AJL 30 A01	13AJL 36 A01
SHEET METAL PARTS, MISCELLANEOUS (Granite/Steel Gray, After Date Code 4811)						
1		Cabinet	AE-100726-81	AE-100726-81	AE-100726-82	AE-100726-83
2		Cabinet Panel	AE-100727-81	AE-100727-81	AE-100727-82	AE-100727-83
3		Base Pan	AE-100069-01	AE-100069-01	AE-100069-02	AE-101588-03
4		Control Box	AE-100654-81	AE-100654-81	AE-100654-81	AE-100654-81
5		Control Box Cover	AE-100657-81	AE-100657-81	AE-100657-81	AE-100657-81
6		Top Panel	AE-100652-81	AE-100652-81	AE-100652-82	AE-100652-83
8		Grille	95-100906-01	95-100906-01	95-100906-03	95-100906-04
		Center Cap - Blank (for Grille)	91-101123-09	91-101123-09	91-101123-09	91-101123-09
12		Valve Mounting Panel	AE-57780-01	AE-57780-01	AE-57780-01	AE-57780-01
14		Service Valve - Suction	See Coil Group			
15		Service Valve - Liquid	See Coil Group			
17		Low Voltage Cover	AE-57756-01	AE-57756-01	AE-57756-01	AE-57756-01
		Touch-up Paint - Granite/Steel Gray (Aerosol)	PD523018	PD523018	PD523018	PD523018
		Touch-up Paint - Granite/Steel Gray (Paint Pens)	PD523019	PD523019	PD523019	PD523019

No.	Notes	MODEL COOLING CAPACITY VARIATION	13AJL 42 A01	13AJL 48 A01	13AJL 60 A01	
SHEET METAL PARTS, MISCELLANEOUS (Granite/Steel Gray, After Date Code 4811)						
1		Cabinet	AE-100726-83	AE-100726-84	AE-100726-84	
2		Cabinet Panel	AE-100727-83	AE-100727-84	AE-100727-84	
3		Base Pan	AE-101588-03	AE-101588-03	AE-101588-03	
4		Control Box	AE-100654-81	AE-100654-84	AE-100654-84	
5		Control Box Cover	AE-100657-81	AE-100657-81	AE-100657-81	
6		Top Panel	AE-100652-83	AE-100652-83	AE-100652-83	
8		Grille	95-100906-04	95-100906-04	95-100906-04	
		Center Cap - Blank (for Grille)	91-101123-09	91-101123-09	91-101123-09	
12		Valve Mounting Panel	AE-57780-01	AE-100185-81	AE-100185-81	
14		Service Valve - Suction	See Coil Group			
15		Service Valve - Liquid	See Coil Group			
17		Low Voltage Cover	AE-57756-01	AE-57756-01	AE-57756-01	
		Touch-up Paint - Granite/Steel Gray (Aerosol)	PD523018	PD523018	PD523018	
		Touch-up Paint - Granite/Steel Gray (Paint Pens)	PD523019	PD523019	PD523019	

No.	Notes	MODEL COOLING CAPACITY VARIATION	13AJL 18 A01	13AJL 24 A01	13AJL 30 A01	13AJL 36 A01
SHEET METAL PARTS, MISCELLANEOUS (Neutra Green, Date Code 1208 - 4811)						
1		Cabinet	AE-100726-51	AE-100726-51	AE-100726-52	AE-100726-53
2		Cabinet Panel	AE-100727-51	AE-100727-51	AE-100727-52	AE-100727-53
3		Base Pan	AE-100069-01	AE-100069-01	AE-100069-02	AE-101588-03
4		Control Box	AE-100654-51	AE-100654-51	AE-100654-51	AE-100654-51
5		Control Box Cover	AE-100657-51	AE-100657-51	AE-100657-51	AE-100657-51
6		Top Panel	AE-100652-51	AE-100652-51	AE-100652-52	AE-100652-53
8		Grille	95-100906-01	95-100906-01	95-100906-03	95-100906-04
		Center Cap - Blank (for Grille)	91-101123-09	91-101123-09	91-101123-09	91-101123-09
12		Valve Mounting Panel	AE-57780-01	AE-57780-01	AE-57780-01	AE-57780-01
14		Service Valve - Suction	See Coil Group			
15		Service Valve - Liquid	See Coil Group			
17		Low Voltage Cover	AE-57756-01	AE-57756-01	AE-57756-01	AE-57756-01
		Touch-up Paint - Green (Aerosol)	52-18662-48	52-18662-48	52-18662-48	52-18662-48
		Touch-up Paint - Green (Paint Pens)	523010	523010	523010	523010

No.	Notes	MODEL COOLING CAPACITY VARIATION	13AJL 42 A01	13AJL 48 A01	13AJL 60 A01	
SHEET METAL PARTS, MISCELLANEOUS (Neutra Green, Date Code 1208 - 4811)						
1		Cabinet	AE-100726-53	AE-100726-54	AE-100726-54	
2		Cabinet Panel	AE-100727-53	AE-100727-54	AE-100727-54	
3		Base Pan	AE-101588-03	AE-101588-03	AE-101588-03	
4		Control Box	AE-100654-52	AE-100654-54	AE-100654-54	
5		Control Box Cover	AE-100657-51	AE-100657-51	AE-100657-51	
6		Top Panel	AE-100652-53	AE-100652-53	AE-100652-53	
8		Grille	95-100906-04	95-100906-04	95-100906-04	
		Center Cap - Blank (for Grille)	91-101123-09	91-101123-09	91-101123-09	
12		Valve Mounting Panel	AE-57780-01	AE-100185-51	AE-100185-51	
14		Service Valve - Suction	See Coil Group			
15		Service Valve - Liquid	See Coil Group			
17		Low Voltage Cover	AE-57756-01	AE-57756-01	AE-57756-01	
		Touch-up Paint - Green (Aerosol)	52-18662-48	52-18662-48	52-18662-48	
		Touch-up Paint - Green (Paint Pens)	523010	523010	523010	

No.	Notes	MODEL COOLING CAPACITY VARIATION	13AJL 18 A01	13AJL 24 A01	13AJL 30 A01	13AJL 36 A01
SHEET METAL PARTS, MISCELLANEOUS (ICECO Gray, Before Date Code 1208)						
1		Cabinet	AE-100726-01	AE-100726-01	AE-100726-02	AE-100726-03
2		Cabinet Panel	AE-100727-01	AE-100727-01	AE-100727-02	AE-100727-03
3		Base Pan	AE-100069-01	AE-100069-01	AE-100069-02	AE-101588-03
4		Control Box	AE-100654-01	AE-100654-01	AE-100654-01	AE-100654-01
5		Control Box Cover	AE-100657-01	AE-100657-01	AE-100657-01	AE-100657-01
6		Top Panel	AE-100652-01	AE-100652-01	AE-100652-02	AE-100652-03
8		Grille	95-100906-01	95-100906-01	95-100906-03	95-100906-04
		Center Cap - Blank (for Grille)	91-101123-09	91-101123-09	91-101123-09	91-101123-09
12		Valve Mounting Panel	AE-57780-01	AE-57780-01	AE-57780-01	AE-57780-01
14		Service Valve - Suction	See Coil Group			
15		Service Valve - Liquid	See Coil Group			
17		Low Voltage Cover	AE-57756-01	AE-57756-01	AE-57756-01	AE-57756-01
		Touch-up Paint - Grey (Aerosol)	523009	523009	523009	523009
		Touch-up Paint - Grey (Paint Pens)	523011	523011	523011	523011

No.	Notes	MODEL COOLING CAPACITY VARIATION	13AJL 42 A01	13AJL 48 A01	13AJL 60 A01	
SHEET METAL PARTS, MISCELLANEOUS (ICECO Gray, Before Date Code 1208)						
1		Cabinet	AE-100726-03	AE-100726-04	AE-100726-04	
2		Cabinet Panel	AE-100727-03	AE-100727-04	AE-100727-04	
3		Base Pan	AE-101588-03	AE-101588-03	AE-101588-03	
4		Control Box	AE-100654-02	AE-100654-04	AE-100654-04	
5		Control Box Cover	AE-100657-01	AE-100657-01	AE-100657-01	
6		Top Panel	AE-100652-03	AE-100652-03	AE-100652-03	
8		Grille	95-100906-04	95-100906-04	95-100906-04	
		Center Cap - Blank (for Grille)	91-101123-09	91-101123-09	91-101123-09	
12		Valve Mounting Panel	AE-57780-01	AE-100185-01	AE-100185-01	
14		Service Valve - Suction	See Coil Group			
15		Service Valve - Liquid	See Coil Group			
17		Low Voltage Cover	AE-57756-01	AE-57756-01	AE-57756-01	
		Touch-up Paint - Grey (Aerosol)	523009	523009	523009	
		Touch-up Paint - Grey (Paint Pens)	523011	523011	523011	

No.	Notes	MODEL COOLING CAPACITY VARIATION	13AJL 18 A01	13AJL 24 A01	13AJL 30 A01	13AJL 36 A01
ELECTRICAL/FAN GROUP						
7	Stk	Fan Motor	51-101774-04	51-101774-04	51-101774-02	51-101774-02
9	Stk	Fan Blade	70-102033-05	70-102033-05	70-102033-02	70-102011-03
16	Stk	Contactora	42-42478-03	42-42478-03	42-42478-03	42-42478-03
17		Low Voltage Cover	See Panels - Miscellaneous			
18		Control Box Bottom	AE-100655-01	AE-100655-01	AE-100655-01	AE-100655-01
19		Capacitor - Compressor/Fan	See Compressor Group			

No.	Notes	MODEL COOLING CAPACITY VARIATION	13AJL 42 A01	13AJL 48 A01	13AJL 60 A01	
ELECTRICAL/FAN GROUP						
7	Stk	Fan Motor	51-102008-03	51-102008-03	51-102008-03	
9	Stk	Fan Blade	70-102011-10	70-102011-10	70-102011-10	
16	Stk	Contactora	42-42478-03	42-42478-03	42-42478-02	
17		Low Voltage Cover	See Panels - Miscellaneous			
18		Control Box Bottom	AE-100655-01	AE-100655-01	AE-100655-01	
19		Capacitor - Compressor/Fan	See Compressor Group			

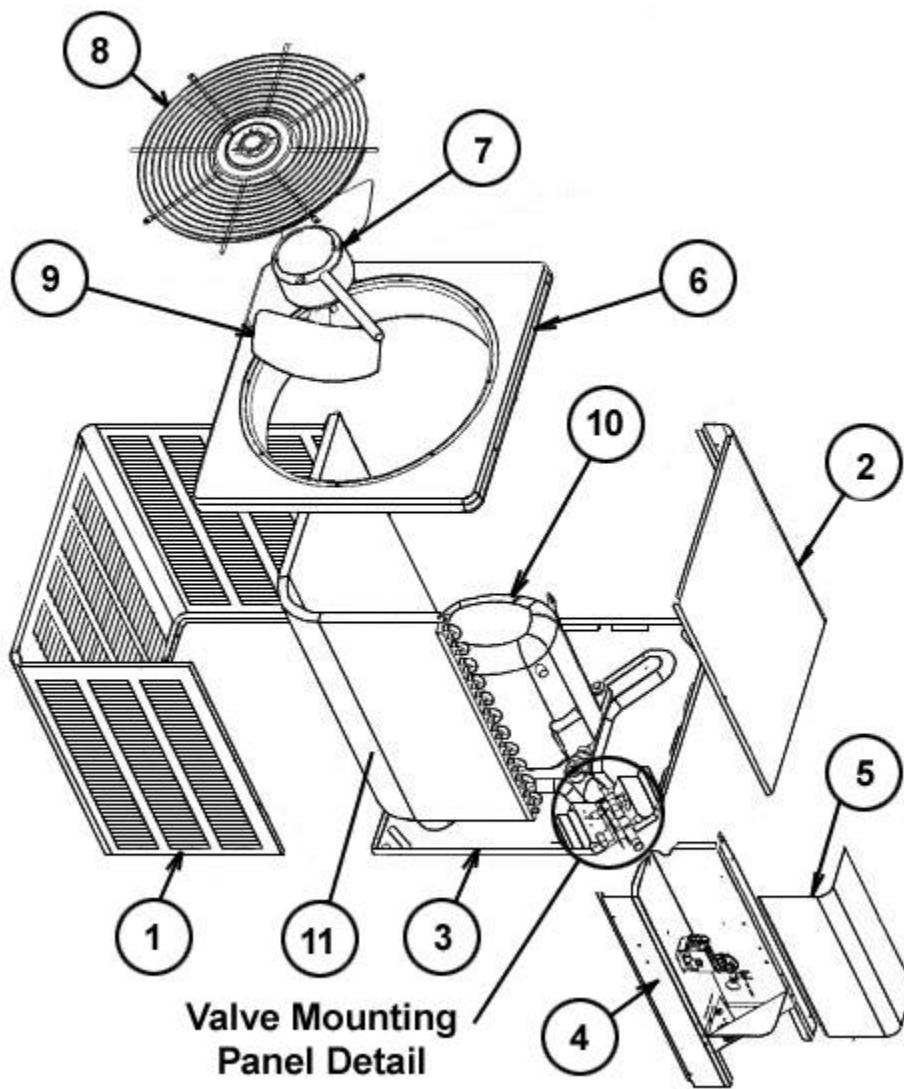
No.	Notes	MODEL COOLING CAPACITY VARIATION	13AJL 18 A01	13AJL 24 A01	13AJL 30 A01	13AJL 36 A01
COIL GROUP						
11	Stk	Condenser Coil	AS-101759-03	AS-101759-03	AS-101844-03	AS-101761-03
13		Valve Mounting Bracket	AE-57781-01	AE-57781-01	AE-57781-01	AE-57781-02
14		Service Valve - Suction	61-21368-07	61-21368-07	61-21368-07	61-21368-22
15		Service Valve - Liquid	61-21368-05	61-21368-05	61-21368-05	61-21368-05
		Filter Drier	83-26186-02	83-26186-02	83-26186-02	83-26186-02

No.	Notes	MODEL COOLING CAPACITY VARIATION	13AJL 42 A01	13AJL 48 A01	13AJL 60 A01	
COIL GROUP						
11	Stk	Condenser Coil	AS-101761-03	AS-102241-03	AS-101763-03	
13		Valve Mounting Bracket	AE-57781-02	AE-57781-02	AE-57781-02	
14		Service Valve - Suction	N/A	61-21368-08	61-21368-08	
14		Service Valve - Suction (Compressor ID 7669)	61-21368-08	N/A	N/A	
14		Service Valve - Suction (Compressor ID 7685)	61-21368-22	N/A	N/A	
15		Service Valve - Liquid	61-21368-05	61-21368-05	61-21368-05	
		Filter Drier	83-26186-02	83-26186-02	83-26186-02	

No.	Notes	MODEL COOLING CAPACITY VARIATION	13AJL 18 A01	13AJL 24 A01	13AJL 30 A01	13AJL 36 A01
COMPRESSOR GROUP						
		Compressor ID:	7665	7666	7667	7668
10	Stk	Compressor	55-102045-14S	55-102045-01S	55-102045-02S	55-102045-03S
19	Stk	Capacitor - Compressor/Fan	43-26261-40	43-26261-09	43-26261-09	43-26261-41
		Compressor Wiring Harness (Molded Plug)	45-100834-80	45-100834-80	45-100834-80	45-100834-80
		Compressor ID:			7672	7673
10	1	Original Compressor - See Note 1			55-101545-25	55-102282-07S
10	Stk,1	Replacement Compressor (Retrofit Kit Required) - See Note 1			55-102045-02S	55-102045-03S
	Stk,1	Retrofit Kit - See Note 1			831023	831024
19	Stk	Capacitor - Compressor/Fan (Original Compressor)			43-26261-44	43-26261-41

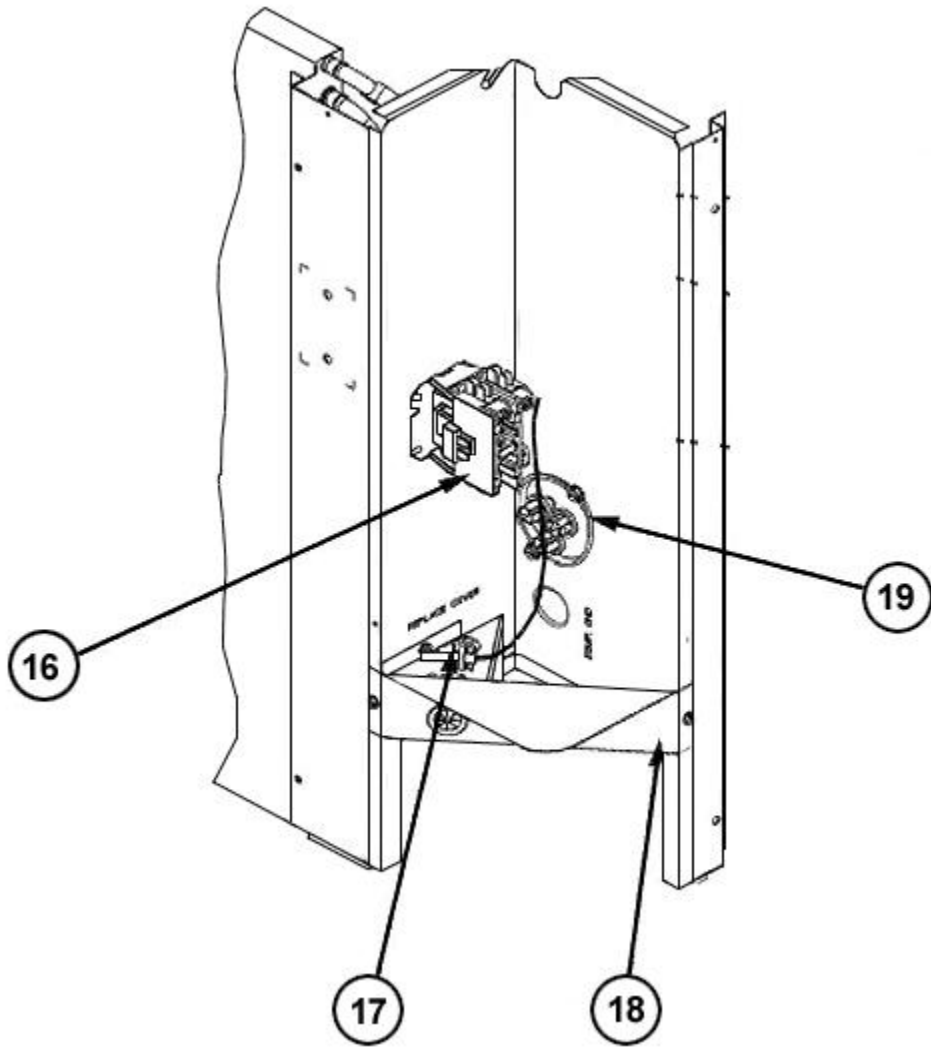
No.	Notes	MODEL COOLING CAPACITY VARIATION	13AJL 42 A01	13AJL 48 A01	13AJL 60 A01	
COMPRESSOR GROUP						
		Compressor ID:	7685	7674		
10	1	Original Compressor - See Note 1	55-102282-05S	55-102282-03S		
10	Stk,1	Replacement Compressor (Retrofit Kit Required) - See Note 1	55-102045-12S	55-102045-09S		
	Stk,1	Retrofit Kit - See Note 1	831025	831026		
19	Stk	Capacitor - Compressor/Fan (Original Compressor)	43-26261-38	43-26261-39		
		Compressor ID:	7669	7670	7671	
10	Stk	Compressor	55-102045-12S	55-102045-09S	55-102045-26S	
19	Stk	Capacitor - Compressor/Fan	43-26261-48	43-26261-47	43-26261-47	
		Compressor Wiring Harness (Molded Plug)	45-100834-80	45-100834-80	45-100834-80	

No.	Notes	MODEL COOLING CAPACITY VARIATION	13AJL ALL ALL
ACCESORIES			
		Low Ambient Control	RXAD-A08
		Compressor Time Delay Control	RXMD-B01
		High Pressure Control	RXAB-A07
		Low Pressure Control	RXAC-A07

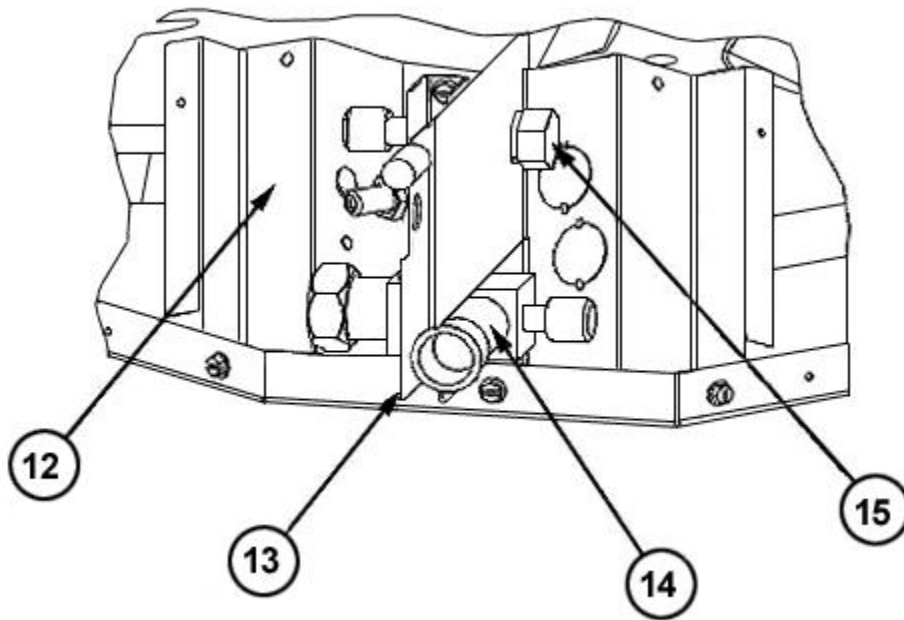


**Valve Mounting
Panel Detail**

Exploded View



Control Box



Valve Mounting Detail

NOTES

Stk It is recommended that stock be maintained for this part.

N/A Not Applicable

- 1 This compressor should be replaced with the designated Copleland scroll (55-102045 series) and the specified Retrofit Kit. USE OF THE RETROFIT KIT IS REQUIRED WHEN PERFORMING THIS REPLACEMENT. Failure to use the kit will greatly increase the likelihood of future compressor failure and will void the compressor warranty.

DISCLAIMER: This document is intended to provide general replacement parts information to aid qualified service personnel in the repair of these models. The complete Model and Serial Number of the unit under repair should be specified when selecting and ordering replacement parts. Specifications and illustrations are subject to change without notice. Document 92-42805-13AJL supersedes all previous parts lists for these models. See <http://www.rheempartslists.net/92-42805-13AJL> for the latest revision of this document. The manufacturer assumes no obligation for errors or omissions. Service personnel must verify the proper and safe operation of equipment after the replacement of any original components.