

## Air-Conditioners OUTDOOR UNIT PUMY-P-NKMU (-BS)

For use with R410A

### INSTALLATION MANUAL

For safe and correct use, read this manual and the indoor unit installation manual thoroughly before installing the air-conditioner unit.

FOR INSTALLER

### MANUAL DE INSTALACIÓN

Para un uso correcto y seguro, lea detalladamente este manual y el manual de instalación de la unidad interior antes de instalar la unidad de aire acondicionado.

PARA EL INSTALADOR

### MANUEL D'INSTALLATION

Avant d'installer le climatiseur, lire attentivement ce manuel, ainsi que le manuel d'installation de l'appareil intérieur pour une utilisation sûre et correcte.

POUR L'INSTALLATEUR

English

Español

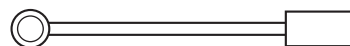
Français

# Contents

1. Safety precautions.....	2	5. Drainage piping work.....	8
2. Installation location.....	3	6. Electrical work.....	8
3. Installing the outdoor unit.....	5	7. Test run.....	11
4. Installing the refrigerant piping.....	5		

## Confirmation of parts attached

In addition to this manual, the following parts are supplied with the outdoor unit. They are used for grounding the S terminals of transmission terminal blocks TB3, TB7. For details refer to "6. Electrical work".



Grounding lead wire (x 2)

## 1. Safety precautions

- ▶ Before installing the unit, make sure you read all the "Safety precautions".
- ▶ Please report to or take consent by the supply authority before connection to the system.

### ⚠ Warning:

Describes precautions that must be observed to prevent danger of injury or death to the user.

### ⚠ Caution:

Describes precautions that must be observed to prevent damage to the unit.

### ⚠ Warning:

- The unit must not be installed by the user. Ask a dealer or an authorized technician to install the unit. If the unit is installed incorrectly, water leakage, electric shock, or fire may result.
- For installation work, follow the instructions in the Installation Manual and use tools and pipe components specifically made for use with R410A refrigerant. The R410A refrigerant in the HFC system is pressurized 1.6 times the pressure of usual refrigerants. If pipe components not designed for R410A refrigerant are used and the unit is not installed correctly, the pipes may burst and cause damage or injuries. In addition, water leakage, electric shock, or fire may result.
- The unit must be installed according to the instructions in order to minimize the risk of damage from earthquakes, typhoons, or strong winds. An incorrectly installed unit may fall down and cause damage or injuries.
- The unit must be securely installed on a structure that can sustain its weight. If the unit is mounted on an unstable structure, it may fall down and cause damage or injuries.
- If the air conditioner is installed in a small room, measures must be taken to prevent the refrigerant concentration in the room from exceeding the safety limit in the event of refrigerant leakage. Consult a dealer regarding the appropriate measures to prevent the allowable concentration from being exceeded. Should the refrigerant leak and cause the concentration limit to be exceeded, hazards due to lack of oxygen in the room may result.
- Ventilate the room if refrigerant leaks during operation. If refrigerant comes into contact with a flame, poisonous gases will be released.
- All electric work must be performed by a qualified technician according to local regulations and the instructions given in this manual. The units must be powered by dedicated power lines and the correct voltage and circuit breakers must be used. Power lines with insufficient capacity or incorrect electrical work may result in electric shock or fire.
- Use C1220 copper phosphorus, for copper and copper alloy seamless pipes, to connect the refrigerant pipes. If the pipes are not connected correctly, the unit will not be properly grounded and electric shock may result.

After installation work has been completed, explain the "Safety Precautions", use, and maintenance of the unit to the customer according to the information in the Operation Manual and perform the test run to ensure normal operation. Both the Installation Manual and Operation Manual must be given to the user for keeping. These manuals must be passed on to subsequent users.

⚡ : Indicates a part which must be grounded.

### ⚠ Warning:

Carefully read the labels affixed to the main unit.

- Use only specified cables for wiring. The wiring connections must be made securely with no tension applied on the terminal connections. Also, never splice the cables for wiring (unless otherwise indicated in this document). Failure to observe these instructions may result in overheating or a fire.
- The terminal block cover panel of the outdoor unit must be firmly attached. If the cover panel is mounted incorrectly and dust and moisture enter the unit, electric shock or fire may result.
- When installing or relocating, or servicing the air conditioner, use only the specified refrigerant (R410A) to charge the refrigerant lines. Do not mix it with any other refrigerant and do not allow air to remain in the lines. If air is mixed with the refrigerant, then it can be the cause of abnormal high pressure in the refrigerant line, and may result in an explosion and other hazards. The use of any refrigerant other than that specified for the system will cause mechanical failure or system malfunction or unit breakdown. In the worst case, this could lead to a serious impediment to securing product safety.
- Use only accessories authorized by Mitsubishi Electric and ask a dealer or an authorized technician to install them. If accessories are incorrectly installed, water leakage, electric shock, or fire may result.
- Do not alter the unit. Consult a dealer for repairs. If alterations or repairs are not performed correctly, water leakage, electric shock, or fire may result.
- The user should never attempt to repair the unit or transfer it to another location. If the unit is installed incorrectly, water leakage, electric shock, or fire may result. If the air conditioner must be repaired or moved, ask a dealer or an authorized technician.
- After installation has been completed, check for refrigerant leaks. If refrigerant leaks into the room and comes into contact with the flame of a heater or portable cooking range, poisonous gases will be released.

### 1.1. Before installation

#### ⚠ Caution:

- Do not use the unit in an unusual environment. If the air conditioner is installed in areas exposed to steam, volatile oil (including machine oil), or sulfuric gas, areas exposed to high salt content such as the seaside, or areas where the unit will be covered by snow, the performance can be significantly reduced and the internal parts can be damaged.
- Do not install the unit where combustible gases may leak, be produced, flow, or accumulate. If combustible gas accumulates around the unit, fire or explosion may result.
- The outdoor unit produces condensation during the heating operation. Make

sure to provide drainage around the outdoor unit if such condensation is likely to cause damage.

- When installing the unit in a hospital or communications office, be prepared for noise and electronic interference. Inverters, home appliances, high-frequency medical equipment, and radio communications equipment can cause the air conditioner to malfunction or breakdown. The air conditioner may also affect medical equipment, disturbing medical care, and communications equipment, harming the screen display quality.

### 1.2. Before installation (relocation)

#### ⚠ Caution:

- Be extremely careful when transporting the units. Two or more persons are needed to handle the unit, as it weighs 20 kg [44 lbs] or more. Do not grasp the packaging bands. Wear protective gloves to remove the unit from the packaging and to move it, as you can injure your hands on the fins or other parts.
- Be sure to safely dispose of the packaging materials. Packaging materials, such as nails and other metal or wooden parts may cause stabs or other injuries.
- The base and attachments of the outdoor unit must be periodically checked

for looseness, cracks or other damage. If such defects are left uncorrected, the unit may fall down and cause damage or injuries.

- Do not clean the air conditioner unit with water. Electric shock may result.
- Tighten all flare nuts to specification using a torque wrench. If tightened too much, the flare nut can break after an extended period and refrigerant can leak out.

# 1. Safety precautions

## 1.3. Before electric work

**⚠ Caution:**

- Be sure to install circuit breakers. If not installed, electric shock may result.
- For the power lines, use standard cables of sufficient capacity. Otherwise, a short circuit, overheating, or fire may result.
- When installing the power lines, do not apply tension to the cables. If the connections are loosened, the cables can snap or break and overheating or fire may result.

- Be sure to ground the unit. Do not connect the ground wire to gas or water pipes, lighting rods, or telephone grounding lines. If the unit is not properly grounded, electric shock may result.
- Use circuit breakers (ground fault interrupter, isolating switch (+B fuse), and molded case circuit breaker) with the specified capacity. If the circuit breaker capacity is larger than the specified capacity, breakdown or fire may result.

## 1.4. Before starting the test run

**⚠ Caution:**

- Turn on the main power switch more than 12 hours before starting operation. Starting operation just after turning on the power switch can severely damage the internal parts. Keep the main power switch turned on during the operation season.
- Before starting operation, check that all panels, guards and other protective parts are correctly installed. Rotating, hot, or high voltage parts can cause injuries.

- Do not touch any switch with wet hands. Electric shock may result.
- Do not touch the refrigerant pipes with bare hands during operation. The refrigerant pipes are hot or cold depending on the condition of the flowing refrigerant. If you touch the pipes, burns or frostbite may result.
- After stopping operation, be sure to wait at least five minutes before turning off the main power switch. Otherwise, water leakage or breakdown may result.

## 1.5. Using R410A refrigerant air conditioners

**⚠ Caution:**

- Use C1220 copper phosphorus, for copper and copper alloy seamless pipes, to connect the refrigerant pipes. Make sure the insides of the pipes are clean and do not contain any harmful contaminants such as sulfuric compounds, oxidants, debris, or dust. Use pipes with the specified thickness. (Refer to page 5) Note the following if reusing existing pipes that carried R22 refrigerant.
  - Replace the existing flare nuts and flare the flared sections again.
  - Do not use thin pipes. (Refer to page 5)
- Store the pipes to be used during installation indoors and keep both ends of the pipes sealed until just before brazing. (Leave elbow joints, etc. in their packaging.) If dust, debris, or moisture enters the refrigerant lines, oil deterioration or compressor breakdown may result.
- Use ester oil, ether oil, alkylbenzene oil (small amount) as the refrigeration oil applied to the flared sections. If mineral oil is mixed in the refrigeration oil, oil deterioration may result.

- Do not use refrigerant other than R410A refrigerant. If another refrigerant is used, the chlorine will cause the oil to deteriorate.
- Use the following tools specifically designed for use with R410A refrigerant. The following tools are necessary to use R410A refrigerant. Contact your nearest dealer for any questions.

Tools (for R410A)	
Gauge manifold	Flare tool
Charge hose	Size adjustment gauge
Gas leak detector	Vacuum pump adapter
Torque wrench	Electronic refrigerant charging scale

- Be sure to use the correct tools. If dust, debris, or moisture enters the refrigerant lines, refrigeration oil deterioration may result.
- Do not use a charging cylinder. If a charging cylinder is used, the composition of the refrigerant will change and the efficiency will be lowered.

## 1.6. Precautions for salt damage-resistant model (“-BS” model)

Although this product (only “-BS” model) has been designed to be resistant to salt damage, observe the following precautions to maintain the performance of the unit.

1. Avoid installing the unit in a location where it will be exposed directly to seawater or sea breeze.
2. If the cover panel may become covered with salt, be sure to install the unit in a location where the salt will be washed away by rainwater. (If a sunshade is installed, it may be difficult for rainwater to clean the panel.)

3. To ensure that water does not collect in the base of the outdoor unit, make sure that the base is level, not at angle. Water collecting in the base of the outdoor unit could cause rust.
4. If the unit is installed in a coastal area, clean the unit with water regularly to remove any salt build-up.
5. If the unit is damaged during installation or maintenance, be sure to repair it.
6. Be sure to check the condition of the unit regularly.
7. Be sure to install the unit in a location with good drainage.

# 2. Installation location

## 2.1. Refrigerant pipe

Refer to Fig. 4-1.

## 2.2. Choosing the outdoor unit installation location

- Avoid locations exposed to sources of heat.
- Select a location from which noise emitted by the unit will not inconvenience neighbors.
- Select a location permitting easy wiring and pipe access to the power source and indoor unit.
- Avoid locations where combustible gases may leak, be produced, flow, or accumulate.
- Note that water may drain from the unit during operation.
- Select a level location that can bear the weight and vibration of the unit.

- Avoid locations where the unit can be covered by snow. In areas where heavy snow fall is anticipated, special precautions such as raising the installation location or installing a hood on the air intake must be taken to prevent the snow from blocking the air intake or blowing directly against it. This can reduce the airflow and a malfunction may result.
- Avoid locations exposed to oil, steam, or sulfuric gas.
- Use the transportation handles of the outdoor unit to transport the unit. If the unit is carried from the bottom, hands or fingers may be pinched.

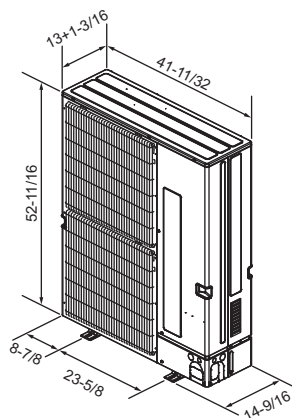


Fig. 2-1

(inch)

## 2.3. Outline dimensions (Outdoor unit) (Fig. 2-1)

### Constraints on indoor unit installation

You should note that indoor units that can be connected to this outdoor unit are the following models.

- Indoor units with model numbers P06-P72 can be connected. Refer to the table below for possible 1-12 room, indoor unit combinations.

### Verification

The rated capacity should be determined by observing the table below. The unit's quantities are limited in 1 to 12 units. For the next step, make sure that the total rated capacity selected will stay in a range of 50% - 130% of the outdoor unit capacity.

- PUMY-P60 30,000 - 78,000 Btu/h

Indoor unit type	P06	P08	P12	P15	P18	P24	P30	P36	P48	P54	P72
Rated capacity (Cooling) (Btu/h)	6,000	8,000	12,000	15,000	18,000	24,000	30,000	36,000	48,000	54,000	72,000

Combinations in which the total capacity of indoor units exceeds the capacity of the outdoor unit will reduce the cooling capacity of each indoor unit below their rated cooling capacity. Thus, combine indoor units with an outdoor unit within the outdoor unit's capacity, if possible.

## 2. Installation location

### 2.4. Ventilation and service space

#### 2.4.1. When installing a single outdoor unit

Minimum dimensions are as follows, except for Max., meaning Maximum dimensions, indicated.

Refer to the figures for each case.

- ① Obstacles at rear only (Fig. 2-2)
- ② Obstacles at rear and above only (Fig. 2-3)
  - \* Do not install the optional air outlet guides for upward airflow.
- ③ Obstacles at rear and sides only (Fig. 2-4)
- ④ Obstacles at front only (Fig. 2-5)
  - \* When using an optional air outlet guide, the clearance is 500 mm [19-11/16 inch] or more.
- ⑤ Obstacles at front and rear only (Fig. 2-6)
  - \* When using an optional air outlet guide, the clearance is 500 mm [19-11/16 inch] or more.
- ⑥ Obstacles at rear, sides, and above only (Fig. 2-7)
  - \* Do not install the optional air outlet guides for upward airflow.

#### 2.4.2. When installing multiple outdoor units

Leave 10 mm [13/32 inch] space or more between the units.

- ① Obstacles at rear only (Fig. 2-8)
- ② Obstacles at rear and above only (Fig. 2-9)
  - \* No more than three units must be installed side by side. In addition, leave space as shown.
  - \* Do not install the optional air outlet guides for upward airflow.
- ③ Obstacles at front only (Fig. 2-10)
  - \* When using an optional air outlet guide, the clearance is 1000 mm [39-3/8 inch] or more.
- ④ Obstacles at front and rear only (Fig. 2-11)
  - \* When using an optional air outlet guide, the clearance is 1000 mm [39-3/8 inch] or more.
- ⑤ Single parallel unit arrangement (Fig. 2-12)
  - \* When using an optional air outlet guide installed for upward airflow, the clearance is 1000 mm [39-3/8 inch] or more.
- ⑥ Multiple parallel unit arrangement (Fig. 2-13)
  - \* When using an optional air outlet guide installed for upward airflow, the clearance is 1500 mm [59-1/16 inch] or more.
- ⑦ Stacked unit arrangement (Fig. 2-14)
  - \* The units can be stacked up to two units high.
  - \* No more than two stacked units must be installed side by side. In addition, leave space as shown.

(inch)

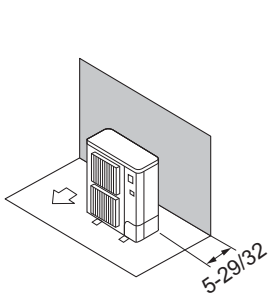


Fig. 2-2

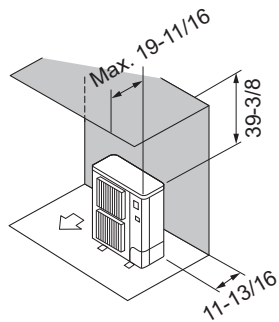


Fig. 2-3

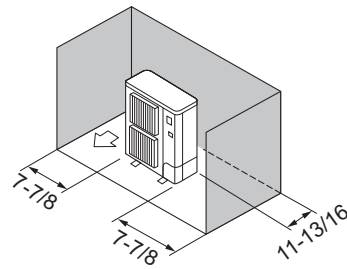


Fig. 2-4

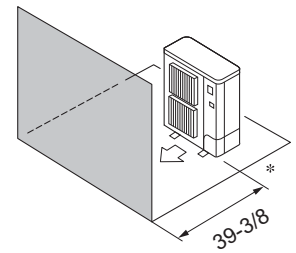


Fig. 2-5

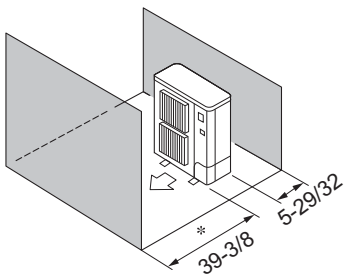


Fig. 2-6

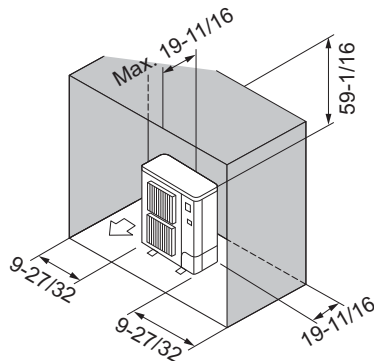


Fig. 2-7

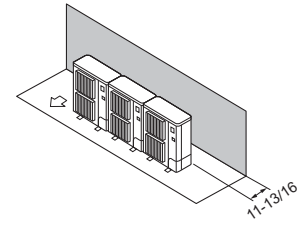


Fig. 2-8

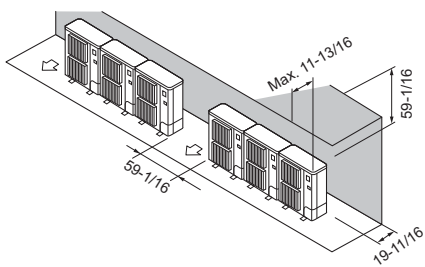


Fig. 2-9

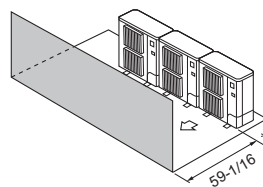


Fig. 2-10

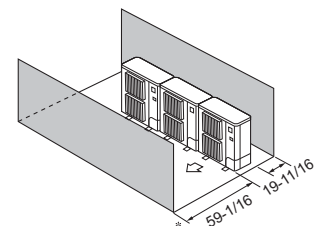


Fig. 2-11

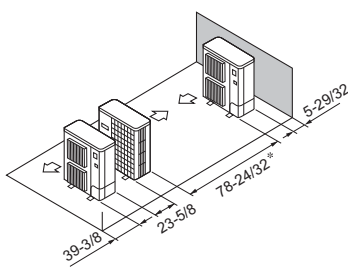


Fig. 2-12

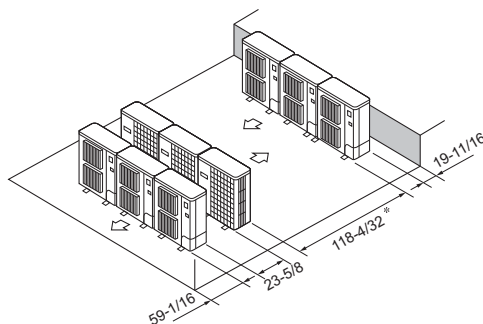


Fig. 2-13

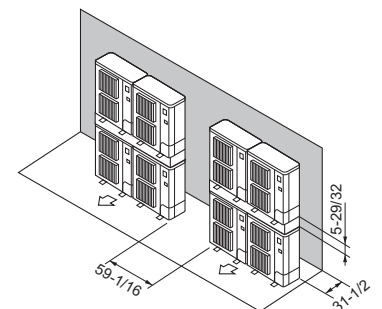


Fig. 2-14

## 2. Installation location

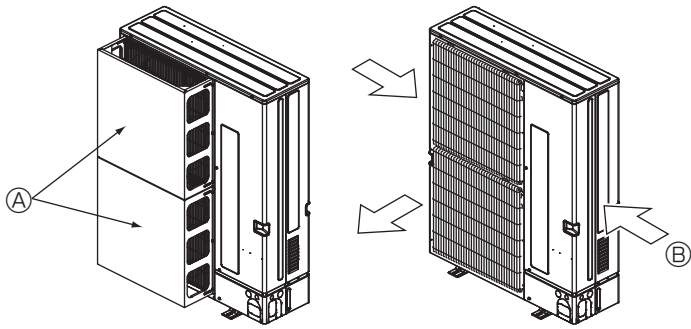


Fig. 2-15

Fig. 2-16

### 2.4.3. Windy location installation

When installing the outdoor unit on a rooftop or other location unprotected from the wind, situate the air outlet of the unit so that it is not directly exposed to strong winds. Strong wind entering the air outlet may impede the normal airflow and a malfunction may result.

The following shows two examples of precautions against strong winds.

- ① Install an optional air guide if the unit is installed in a location where strong winds from a typhoon, etc. may directly enter the air outlet. (Fig. 2-15)
  - Ⓐ Air guide
- ② Position the unit so that the air outlet blows perpendicularly to the seasonal wind direction, if possible. (Fig. 2-16)
  - Ⓑ Wind direction

## 3. Installing the outdoor unit

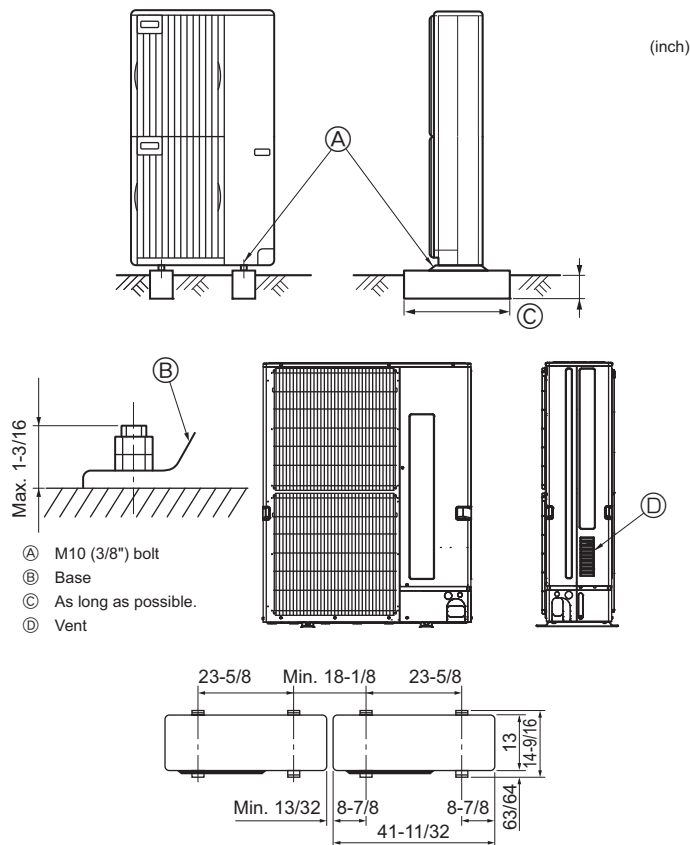


Fig. 3-1

- Be sure to install the unit in a sturdy, level surface to prevent rattling noises during operation. (Fig. 3-1)

<Foundation specifications>

Foundation bolt	M10 (3/8")
Thickness of concrete	120 mm [4-23/32 inch]
Length of bolt	70 mm [2-3/4 inch]
Weight-bearing capacity	320 kg [705 lbs]

- Make sure that the length of the foundation bolt is within 30 mm [1-3/16 inch] of the bottom surface of the base.
- Secure the base of the unit firmly with four-M10 foundation bolts in sturdy locations.

### Installing the outdoor unit

- Do not block the vent. If the vent is blocked, operation will be hindered and breakdown may result.
- In addition to the unit base, use the installation holes on the back of the unit to attach wires, etc., if necessary to install the unit. Use self-tapping screws (ø5 × 15 mm [ø13/16 × 19/32 inch] or less) and install on site.

### ⚠ Warning:

- The unit must be securely installed on a structure that can sustain its weight. If the unit is mounted on an unstable structure, it may fall down and cause damage or injuries.
- The unit must be installed according to the instructions in order to minimize the risk of damage from earthquakes, typhoons, or strong winds. An incorrectly installed unit may fall down and cause damage or injuries.

## 4. Installing the refrigerant piping

### 4.1. Precautions for devices that use R410A refrigerant

- Refer to page 3 for precautions not included below on using air conditioners with R410A refrigerant.
- Use ester oil, ether oil, alkylbenzene oil (small amount) as the refrigeration oil applied to the flared sections.
- Use C1220 copper phosphorus, for copper and copper alloy seamless pipes, to connect the refrigerant pipes. Use refrigerant pipes with the thicknesses specified in the table to the below. Make sure the insides of the pipes are clean and do not contain any harmful contaminants such as sulfuric compounds, oxidants, debris, or dust.

### ⚠ Warning:

When installing or relocating, or servicing the air conditioner, use only the specified refrigerant (R410A) to charge the refrigerant lines. Do not mix it with any other refrigerant and do not allow air to remain in the lines.

If air is mixed with the refrigerant, then it can be the cause of abnormal high pressure in the refrigerant line, and may result in an explosion and other hazards. The use of any refrigerant other than that specified for the system will cause mechanical failure or system malfunction or unit breakdown. In the worst case, this could lead to a serious impediment to securing product safety.

Indoor unit type	P06-P18	P24-P60	P72
Liquid pipe	ø6.35 mm [1/4 inch] thickness 0.8 mm [1/32 inch]	ø9.52 mm [3/8 inch] thickness 0.8 mm [1/32 inch]	ø9.52 mm [3/8 inch] thickness 0.8 mm [1/32 inch]
Gas pipe	ø12.7 mm [1/2 inch] thickness 0.8 mm [1/32 inch]	ø15.88 mm [5/8 inch] thickness 1.0 mm [5/128 inch]	ø19.05 mm [3/4 inch] thickness 1.0 mm [5/128 inch]

- Do not use pipes thinner than those specified above.
- For ø19.05 mm [3/4 inch] pipes, use pipes that are made from 1/2H material (drawn).
- The thicknesses listed in the table above are based on Japanese standards. Use pipes with a maximum working pressure of 4.15 MPa [601 PSIG] or higher according to local standards.

## 4. Installing the refrigerant piping

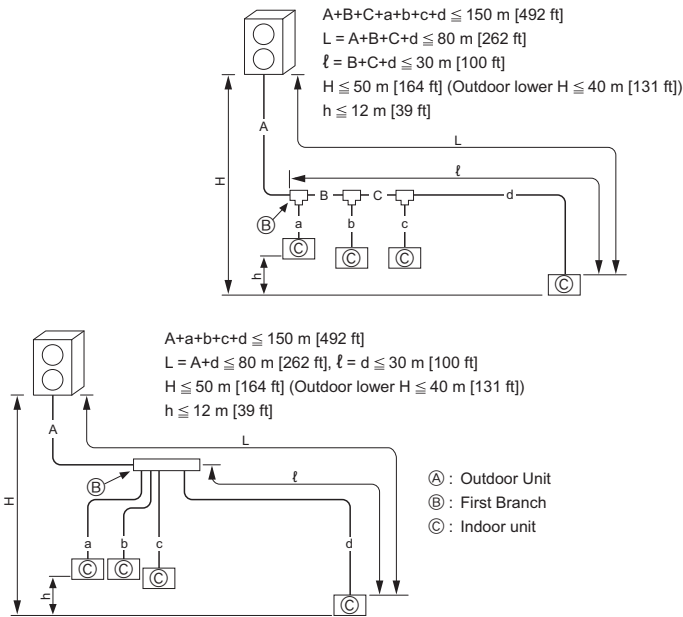


Fig. 4-1

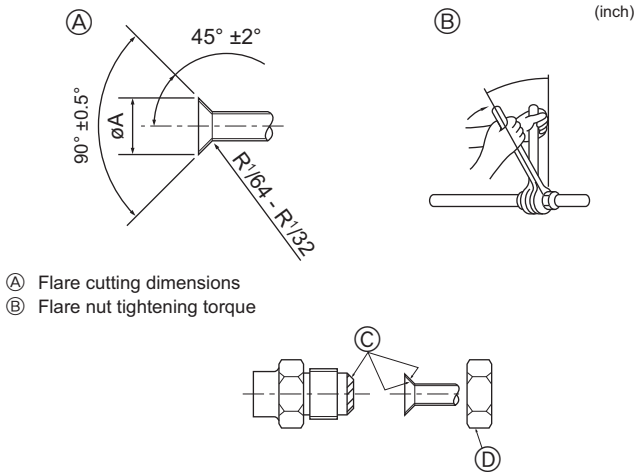


Fig. 4-2

(A) (Fig. 4-2) (mm [inch])

Copper pipe O.D.	Flare dimensions øA dimensions
ø6.35 [1/4]	8.7 - 9.1 [11/32-23/64]
ø9.52 [3/8]	12.8 - 13.2 [1/2-33/64]
ø12.7 [1/2]	16.2 - 16.6 [41/64-21/32]
ø15.88 [5/8]	19.3 - 19.7 [49/64-25/32]
ø19.05 [3/4]	23.6 - 24.0 [15/16-61/64]

(B) (Fig. 4-2)

Copper pipe O.D. (mm [inch])	Flare nut O.D. (mm [inch])	Tightening torque (N·m [ft·lbs])
ø6.35 [1/4]	17 [43/64]	14 - 18 [10-13]
ø6.35 [1/4]	22 [7/8]	34 - 42 [25-30]
ø9.52 [3/8]	22 [7/8]	34 - 42 [25-30]
ø12.7 [1/2]	26 [1-3/64]	49 - 61 [35-44]
ø12.7 [1/2]	29 [1-9/64]	68 - 82 [49-59]
ø15.88 [5/8]	29 [1-9/64]	68 - 82 [49-59]
ø15.88 [5/8]	36 [1-27/64]	100 - 120 [71-87]
ø19.05 [3/4]	36 [1-27/64]	100 - 120 [71-87]

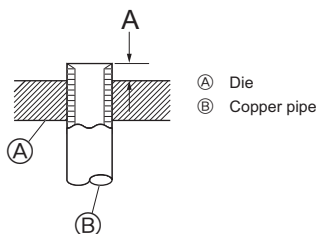


Fig. 4-3

A (mm [inch])		
	(A) Liquid pipe	(B) Gas pipe
PUMY	ø9.52 [3/8]	ø19.05 [3/4]

B, C, D (mm [inch])		
(C) Total capacity of indoor units	(A) Liquid pipe	(B) Gas pipe
	ø9.52 [3/8]	ø19.05 [3/4]

a, b, c, d, e, f (mm [inch])		
(D) Model number	(A) Liquid pipe	(B) Gas pipe
P06, P08, P12, P15, P18	ø6.35 [1/4]	ø12.7 [1/2]
P24, P30, P36, P48, P54	ø9.52 [3/8]	ø15.88 [5/8]
P72	ø9.52 [3/8]	ø19.05 [3/4]

(E) Branch kit model	
CMY-Y62-G-E	

(F) 4-Branching header		(G) 8-Branching header	
CMY-Y64-G-E		CMY-Y68-G-E	

### 4.2. Connecting pipes (Fig. 4-2)

Fig. 4-1 is a sample of piping system.

- When commercially available copper pipes are used, wrap liquid and gas pipes with commercially available insulation materials (heat-resistant to 100°C [212°F] or more, thickness of 12 mm [1/2 inch] or more).
- The indoor parts of the drain pipe should be wrapped with polyethylene foam insulation materials (specific gravity of 0.03, thickness of 9 mm [23/64 inch] or more).
- Apply thin layer of refrigerant oil to pipe and joint seating surface before tightening flare nut. (A)
- Use two wrenches to tighten piping connections. (B)
- Use leak detector or soapy water to check for gas leaks after connections are completed.
- Apply refrigerating machine oil over the entire flare seat surface. (C)
- Use the flare nuts for the following pipe size. (D)

		Indoor unit			Outdoor unit
		P06-P18	P24-P54	P72	P60
Gas side	Pipe size	ø12.7 [1/2]	ø15.88 [5/8]	ø19.05 [3/4]	ø19.05 [3/4]
Liquid side	Pipe size	ø6.35 [3/8]	ø9.52 [3/8]	ø9.52 [3/8]	ø9.52 [3/8]

- When bending the pipes, be careful not to break them. Bend radius of 100 mm [3-15/16 inch] to 150 mm [5-27/32 inch] is sufficient.
- Make sure the pipes do not contact the compressor. Abnormal noise or vibration may result.

- Pipes must be connected starting from the indoor unit.  
Flare nuts must be tightened with a torque wrench.
  - Flare the liquid pipes and gas pipes and apply a thin layer of refrigeration oil (Applied on site).
- When usual pipe sealing is used, refer to Table 1 for flaring of R410A refrigerant pipes.  
The size adjustment gauge can be used to confirm A measurements.

Table 1 (Fig. 4-3)

Copper pipe O.D. (mm [inch])	A (mm [inch])	
	Clutch type	
ø6.35 [1/4]	1.0 - 1.5 [3/64-1/16]	
ø9.52 [3/8]	1.0 - 1.5 [3/64-1/16]	
ø12.7 [1/2]	1.0 - 1.5 [3/64-1/16]	
ø15.88 [5/8]	1.0 - 1.5 [3/64-1/16]	
ø19.05 [3/4]	1.0 - 1.5 [3/64-1/16]	

## 4. Installing the refrigerant piping

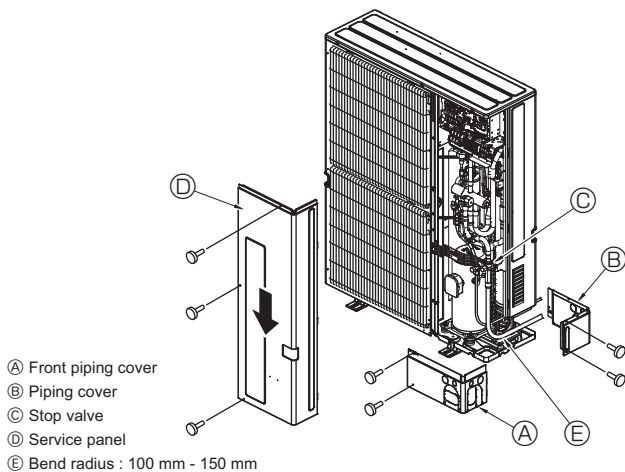


Fig. 4-4

- A Front piping cover
- B Piping cover
- C Stop valve
- D Service panel
- E Bend radius : 100 mm - 150 mm

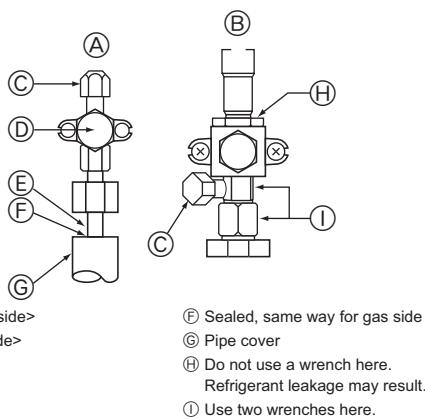


Fig. 4-5

- A Stop valve <Liquid side>
- B Stop valve <Gas side>
- C Service port
- D Open/Close section
- E Local pipe
- F Sealed, same way for gas side
- G Pipe cover
- H Do not use a wrench here. Refrigerant leakage may result.
- I Use two wrenches here.

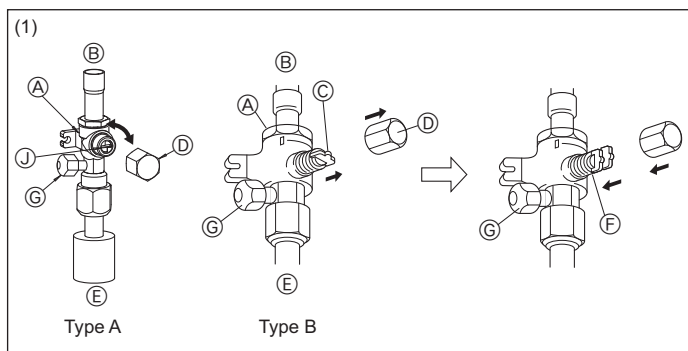


Fig. 4-6

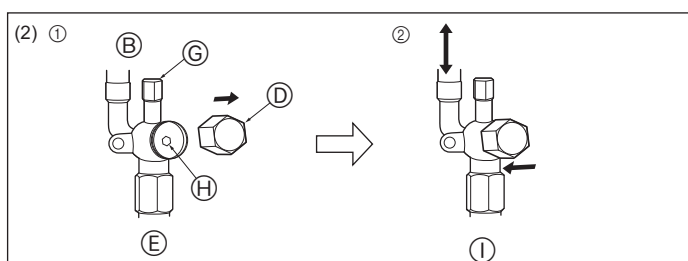


Fig. 4-7

### 4.3. Refrigerant piping (Fig. 4-4)

Remove the service panel ④ (three screws) and the front piping cover ① (two screws) and rear piping cover ② (two screws).

- ① Perform refrigerant piping connections for the indoor/outdoor unit when the outdoor unit's stop valve is completely closed.
- ② Vacuum-purge air from the indoor unit and the connection piping.

#### Evacuation

Evacuate with the valve of the outdoor unit closed and evacuate both the connection piping and the indoor unit from the service port provided on the valve of the outdoor unit using a vacuum pump. (Always evacuate from the service port of both liquid pipe and gas pipe.) After the vacuum reaches 650 Pa [abs] [0.0943 psi/5 Torr], continue evacuation for at least one hour or more. Then, stop the vacuum pump and leave it for 1 hour. Ensure the degree of vacuum has not increased. **(If the degree of vacuum increase is larger than 130 Pa [0.01886 psi/1.0 Torr], water might have entered. Apply pressure to dry nitrogen gas up to 0.05 MPa [7.25 psi] and vacuum again.)** Finally, seal in with the liquid refrigerant through the liquid pipe, and adjust the gas piping to obtain an appropriate amount of the refrigerant during operation.

\* Never perform air purging using refrigerant.

- ③ After connecting the refrigerant pipes, check the connected pipes and the indoor unit for gas leaks. (Refer to 4.4 Refrigerant pipe airtight testing method)
- ④ Vacuumize the refrigerant lines through the service port of the liquid and gas stop valves. And then open the stop valves completely (for both the liquid and gas stop valves). This will completely connect the refrigerant lines of the indoor and outdoor units.
  - If the stop valves are left closed and the unit is operated, the compressor and control valves will be damaged.
  - Use a leak detector or soapy water to check for gas leaks at the pipe connection sections of the outdoor unit.
  - Do not use the refrigerant from the unit to purge air from the refrigerant lines.
  - After the valve work is completed, tighten the valve caps to the correct torque: 20 to 25 N·m [14 to 18 ft·lbs] (200 to 250 kgf·cm). Failure to replace and tighten the caps may result in refrigerant leakage. In addition, do not damage the insides of the valve caps as they act as a seal to prevent refrigerant leakage.
- ⑤ Use sealant to seal the ends of the thermal insulation around the pipe connection sections to prevent water from entering the thermal insulation.

#### Note:

##### <Triple Evacuation>

- Evacuate the system to 4,000 microns from both service valves. System manifold gauges must not be used to measure vacuum. A micron gauge must be used at all times.
  - Break the vacuum with Nitrogen (N<sub>2</sub>) into the discharge service valve to 0 PSIG.
- Evacuate the system to 1,500 microns from the suction service valve.
  - Break the vacuum with Nitrogen (N<sub>2</sub>) into the discharge service valve to 0 PSIG.
- Evacuate the system to 500 microns. System must hold the vacuum at 500 microns for a minimum of 1 hour.
- Conduct a rise test for a minimum of 30 minutes.

### 4.4. Refrigerant pipe airtight testing method

- (1) Connect the testing tools.
  - Make sure the stop valves ① ② are closed and do not open them.
  - Add pressure to the refrigerant lines through the service port ③ of the liquid stop valve ① and the gas stop valve ②.
- (2) Do not add pressure to the specified pressure all at once; add pressure little by little.
  - ① Pressurize to 0.5 MPa [73 PSIG], wait five minutes, and make sure the pressure does not decrease.
  - ② Pressurize to 1.5 MPa [218 PSIG], wait five minutes, and make sure the pressure does not decrease.
  - ③ Pressurize to 4.15 MPa [601 PSIG] and measure the surrounding temperature and refrigerant pressure.
- (3) If the specified pressure holds for about one day and does not decrease, the pipes have passed the test and there are no leaks.
  - If the surrounding temperature changes by 1°C [1.8°F], the pressure will change by about 0.01 MPa [1.5 PSIG]. Make the necessary corrections.
- (4) If the pressure decreases in steps (2) or (3), there is a gas leak. Look for the source of the gas leak.

### 4.5. Stop valve opening method

(1) Gas side (Fig. 4-6)

Type A

- ① Remove the cap, then turn one-quarter rotation counter-clockwise with a flat-bladed screwdriver to complete open.
- ② Check that the valves are fully open, then return the cap to its original state and tighten it down.

Type B

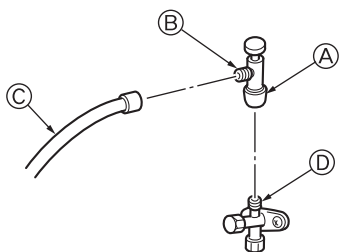
- ① Remove the cap, pull the handle toward you and rotate 1/4 turn in a counterclockwise direction to open.
- ② Make sure that the stop valve is open completely, push in the handle and rotate the cap back to its original position.

(2) Liquid side (Fig. 4-7)

- ① Remove the cap and turn the valve rod counterclockwise as far as it will go with the use of a 4 mm [5/32 inch] hexagonal wrench. Stop turning when it hits the stopper. (ø6.35 [1/4 inch]: Approximately 4.5 revolutions) (ø9.52 [3/8 inch]: Approximately 10 revolutions)
- ② Make sure that the stop valve is open completely, push in the handle and rotate the cap back to its original position.

- ① Valve
- ② Unit side
- ③ Handle
- ④ Cap
- ⑤ Local pipe side
- ⑥ Open position side
- ⑦ Service port
- ⑧ Wrench hole
- ⑨ Refrigerant flow direction
- ⑩ Operation section

## 4. Installing the refrigerant piping



- \* The figure to the left is an example only. The stop valve shape, service port position, etc., may vary according to the model.
- \* Turn section (A) only. (Do not further tighten sections (A) and (B) together.)

(C) Charge hose  
(D) Service port

Fig. 4-8

Refrigerant pipes are protectively wrapped

- The pipes can be protectively wrapped up to a diameter of  $\phi 90$  mm [ $\phi 3\text{-}35/64$  inch] before or after connecting the pipes. Cut out the knockout in the pipe cover following the groove and wrap the pipes.

Pipe inlet gap

- Use putty or sealant to seal the pipe inlet around the pipes so that no gaps remain.

(If the gaps are not closed, noise may be emitted or water and dust will enter the unit and breakdown may result.)

**Warning:**

**When installing the unit, securely connect the refrigerant pipes before starting the compressor.**

**Precautions when using the charge valve (Fig.4-8)**

Do not tighten the service port too much when installing it, otherwise, the valve core could be deformed and become loose, causing a gas leak.

After positioning section (B) in the desired direction, turn section (A) only and tighten it.

Do not further tighten sections (A) and (B) together after tightening section (A).

### 4.6. Additional refrigerant charge

#### Additional refrigerant charge

Refrigerant for the extended piping is not included in the outdoor unit when the unit is shipped from the factory. Therefore, charge each refrigerant piping system with additional refrigerant at the installation site. In addition, in order to carry out service, enter the size and length of each liquid pipe and additional refrigerant charge amounts in the spaces provided on the "Refrigerant amount" plate on the outdoor unit.

<Additional charge>

#### Calculation of refrigerant charge

Pipe size Liquid pipe $\phi 6.35$	Pipe size Liquid pipe $\phi 9.52$	Total capacity of connected indoor units	Amount for the indoor units
$(m) \times 0.027$ (kg/m) 0.29 (oz/ft)	$(m) \times 0.07$ (kg/m) 0.75 (oz/ft)	-42	2.0 kg (71 oz)
		43-60	2.5 kg (88 oz)
		61-78	3.0 kg (106 oz)

#### Calculation of additional refrigerant charge

- Calculate the additional charge using the liquid pipe size and length of the extended piping.
- Calculate the additional refrigerant charge using the procedure shown to the right, and charge with the additional refrigerant.
- For amounts less than 0.1 kg, round up the calculated additional refrigerant charge. (For example, if the calculated charge is 32.92 kg, round up the charge to 33.0 kg.)

#### Included refrigerant amount when shipped from the factory

Outdoor unit model number	Included refrigerant amount
P60	5.1 kg (11 lbs, 4 oz)

#### Calculation example (Please see the lower half of Fig. 4-1.)

Outdoor model: P60

- |   |   |                            |
|---|---|----------------------------|
| 1: A: P24 $\phi 9.52$ [3/8"]/ $\phi 19.05$ [3/4"]: 30 m [98 ft] | a: $\phi 9.52$ [3/8"]/ $\phi 15.88$ [5/8"] 15 m [49 ft] | } For these piping lengths |
| 2: P15  | b: $\phi 6.35$ [1/4"]/ $\phi 12.7$ [1/2"] 15 m [49 ft]  |                            |
| 3: P08  | c: $\phi 6.35$ [1/4"]/ $\phi 12.7$ [1/2"] 15 m [49 ft]  |                            |
| 4: P06  | d: $\phi 6.35$ [1/4"]/ $\phi 12.7$ [1/2"] 20 m [66 ft]  |                            |

The total length of each pipe size is as follows:

$\phi 9.52$  [3/8"]/ $\phi 19.05$  [3/4"]: A = 30 m [98 ft]

$\phi 9.52$  [3/8"]/ $\phi 15.88$  [5/8"]: a = 15 m [49 ft]

$\phi 6.35$  [1/4"]/ $\phi 12.7$  [1/2"]: b + c + d = 10 m + 10 m + 20 m = 40 m [33 ft + 33 ft + 66 ft = 132 ft]

Therefore, the additional charge is as follows:

$= 30 \times 0.07 + 15 \times 0.07 + 40 \times 0.027 + 2.5$  [98  $\times$  0.75 + 49  $\times$  0.75 + 132  $\times$  0.29 + 88]

$= 6.8$  kg [237 oz]

## 5. Drainage piping work

### Outdoor unit drainage pipe connection

When drain piping is necessary, use the drain socket or the drain pan (option).

	P60
Drain socket	PAC-SG61DS-E
Drain pan	PAC-SH97DP-E

## 6. Electrical work

### 6.1. Caution

- Follow ordinance of your governmental organization for technical standard related to electrical equipment, wiring regulations and guidance of each electric power company.
- Wiring for control (hereinafter referred to as transmission line) shall be (5 cm [2 inch] or more) apart from power source wiring so that it is not influenced by electric noise from power source wiring. (Do not insert transmission line and power source wire in the same conduit.)
- Be sure to provide designated grounding work to outdoor unit.
- Give some allowance to wiring for electrical part box of indoor and outdoor units, because the box is sometimes removed at the time of service work.
- Never connect the main power source to terminal block of transmission line. If connected, electrical parts will be burnt out.
- Use 2-core shield cable for transmission line. If transmission lines of different systems are wired with the same multiplecore cable, the resultant poor transmitting and receiving will cause erroneous operations.
- Only the transmission line specified should be connected to the terminal block for outdoor unit transmission. (Transmission line to be connected with indoor unit : Terminal block TB3 for transmission line, Other : Terminal block TB7 for centralized control) Erroneous connection does not allow the system to operate.
- In case to connect with the upper class controller or to conduct group operation in different refrigerant systems, the control line for transmission is required between the outdoor units each other. Connect this control line between the terminal blocks for centralized control. (2-wire line with no polarity) When conducting group operation in different refrigerant systems without connecting to the upper class controller, replace the insertion of the short circuit connector from CN41 of one outdoor unit to CN40.
- Group is set by operating the remote controller.



## 6. Electrical work

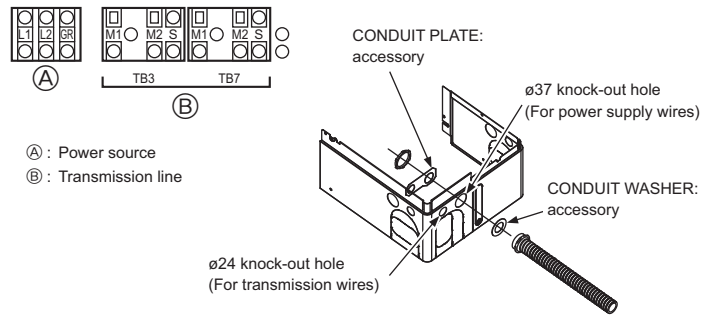


Fig. 6-1

### 6.2. Control box and connecting position of wiring (Fig. 6-1)

1. Connect the indoor unit transmission line to transmission terminal block (TB3), or connect the wiring between outdoor units or the wiring with the centralized control system to the centralized control terminal block (TB7).  
When using shielded wiring, connect shield ground of the indoor unit transmission line to the earth screw (⊥) and connect shield ground of the line between outdoor units and the central control system transmission line to the shield (S) terminal of the centralized control terminal block (TB7) shield (S) terminal. In addition, in the case of outdoor units whose power supply connector CN41 has been replaced by CN40, the shield terminal (S) of terminal block (TB7) of the centralized control system should also be connected to the ground (⊥).
2. Conduit mounting plates (ø37 [1-29/64 inch] - ø24 [15/16 inch]) are being provided. Pass the power supply and transmission wires through the appropriate knock-out holes, then remove the knock-out piece from the bottom of the terminal box and connect the wires.
3. Fix power source wiring to terminal box by using buffer bushing for tensile force (PG connection or the like).

### 6.3. Wiring transmission cables

#### ① Types of control cables

1. Wiring transmission cables
  - Types of transmission cables: Shielding wire CVVS or CPEVS
  - Cable diameter: More than 1.25 mm<sup>2</sup> [AWG16]
  - Maximum wiring length: Within 200 m [656 ft]

#### 2. M-NET Remote control cables

Kind of remote control cable	Shielding wire MVVS
Cable diameter	0.5 to 1.25 mm <sup>2</sup> [AWG20 to AWG16]
Remarks	When 10 m [32 ft] is exceeded, use cable with the same specifications as transmission line wiring

#### 3. MA Remote control cables

Kind of remote control cable	2-core cable (unshielded)
Cable diameter	0.3 mm <sup>2</sup> (AWG22) to 1.25 mm <sup>2</sup> (AWG16)

#### ② Wiring examples

- Controller name, symbol and allowable number of controllers.

Name	Symbol	Allowable number of controllers
Outdoor unit controller	OC	
Indoor unit controller	IC	1 to 12 controllers for 1 OC
Remote controller	RC (M-NET)	Maximum of 12 controllers for 1 OC
	MA	Maximum of 2 per group

### Example of a group operation system with multiple outdoor units (Shielding wires and address setting are necessary.)

<Examples of Transmission Cable Wiring>

#### ■ M-NET Remote Controller (Fig. 6-2)

#### ■ MA Remote Controller (Fig. 6-3)

<Wiring Method and Address Settings>

- Always use shielded wire when making connections between the outdoor unit (OC) and the indoor unit (IC), as well for all OC-OC, and IC-IC wiring intervals.
- Use feed wiring to connect terminals M1 and M2 and the ground terminal on the transmission cable terminal block (TB3) of each outdoor unit (OC) to terminals M1, M2 and terminal S on the transmission cable block of the indoor unit (IC).
- Connect terminals 1 (M1) and 2 (M2) on the transmission cable terminal block of the indoor unit (IC) that has the most recent address within the same group to the terminal block on the remote controller (RC).
- Connect together terminals M1, M2 and terminal S on the terminal block for central control (TB7) for the outdoor unit (OC).
- The jumper connector CN41 on the control panel does not change.
- Connect the terminal S on the terminal block for central control for the power supply unit to the ground terminal (⊥) in the electrical component box.
- Set the address setting switch as follows.

Unit	Range	Setting Method
IC (Main)	01 to 50	Use the most recent address within the same group of indoor units
IC (Sub)	01 to 50	Use an address, other than that of the IC (Main) from among the units within the same group of indoor units. This must be in sequence with the IC (Main)
Outdoor Unit	51 to 100	Use the most recent address of all the indoor units plus 50 * The address automatically becomes "100" if it is set as "01 - 50".
M-NET R/C (Main)	101 to 150	Set at an IC (Main) address within the same group plus 100
M-NET R/C (Sub)	151 to 200	Set at an IC (Main) address within the same group plus 150
MA R/C	-	Unnecessary address setting (Necessary main/sub setting)

- The group setting operations among the multiple indoor units is done by the remote controller (RC) after the electrical power has been turned on.

<Permissible Lengths>

#### ① M-NET Remote controller

- Max length via outdoor units:  $L_1+L_2+L_3+L_4$  and  $L_1+L_2+L_3+L_5$  and  $L_1+L_2+L_6+L_7 \leq 500$  m [1640 ft] (1.25 mm<sup>2</sup> [AWG16] or more)
- Max transmission cable length:  $L_1$  and  $L_3+L_4$  and  $L_3+L_5$  and  $L_6$  and  $L_2+L_6$  and  $L_7 \leq 200$  m [656 ft] (1.25 mm<sup>2</sup> [AWG16] or more)
- Remote controller cable length:  $l_1, l_2, l_2 + l_3, l_4 \leq 10$  m [33 ft] (0.5 to 1.25 mm<sup>2</sup> [AWG20 to AWG16])  
If the length exceeds 10 m [33 ft], use a 1.25 mm<sup>2</sup> [AWG16] shielded wire. The length of this section ( $L_3$ ) should be included in the calculation of the maximum length and overall length.

#### ② MA Remote controller

- Max length via outdoor unit (M-NET cable):  $L_1+L_2+L_3+L_4$  and  $L_1+L_2+L_6+L_7 \leq 500$  m [1640 ft] (1.25 mm<sup>2</sup> [AWG16] or more)
- Max transmission cable length (M-NET cable):  $L_1$  and  $L_3+L_4$  and  $L_6$  and  $L_2+L_6$  and  $L_7 \leq 200$  m [656 ft] (1.25 mm<sup>2</sup> [AWG16] or more)
- Remote controller cable length:  $m_1$  and  $m_1+m_2 +m_3$  and  $m_1+m_2+m_3+m_4 \leq 200$  m [656 ft] (0.3 to 1.25 mm<sup>2</sup> [AWG20 to AWG16])

## 6. Electrical work

### ■ M-NET Remote Controller

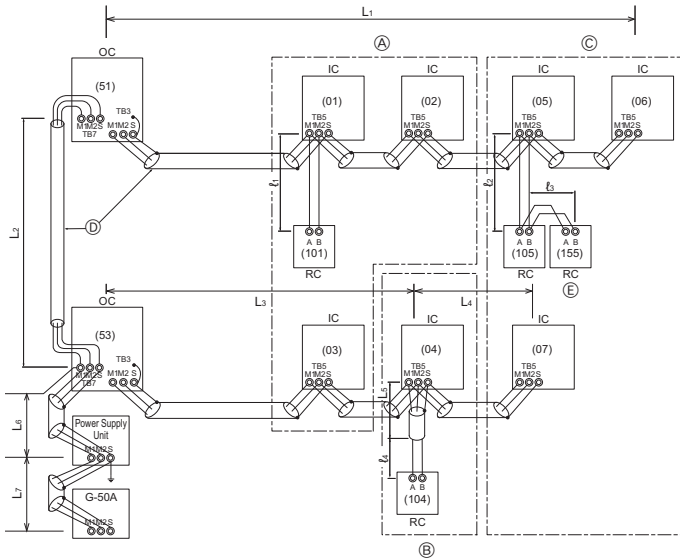


Fig. 6-2

- (A) : Group 1
- (B) : Group 3
- (C) : Group 5
- (D) : Shielded Wire
- (E) : Sub Remote Controller
- ( ) : Address

### ■ MA Remote Controller

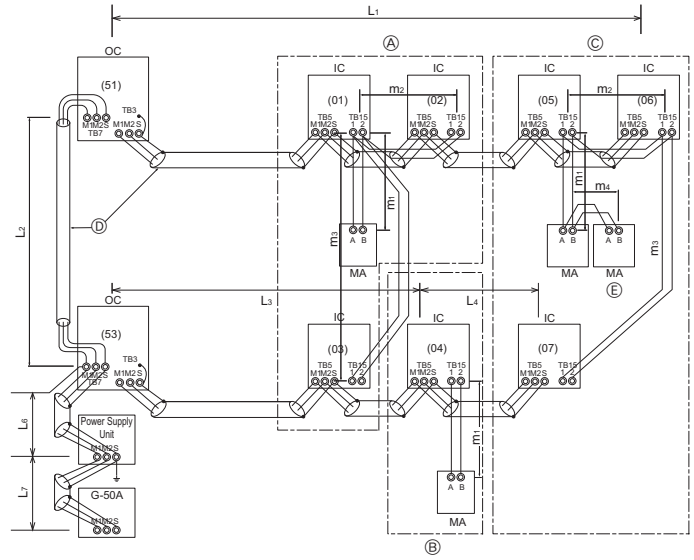


Fig. 6-3

## 6.4. Wiring of main power supply and equipment capacity

### Schematic Drawing of Wiring (Example) (Fig. 6-4)

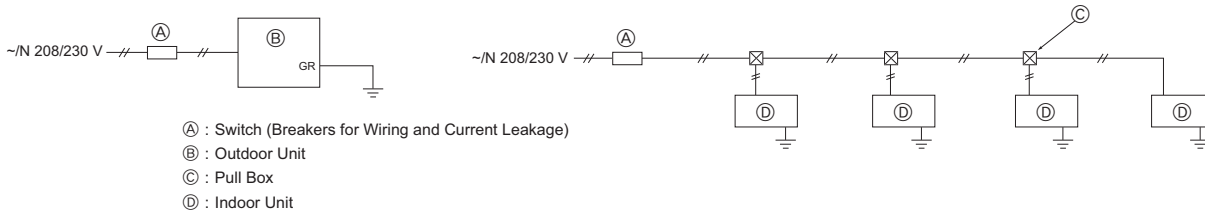


Fig. 6-4

### Thickness of Wire for Main Power Supply and On/Off Capacities

Model	Power Supply	Minimum Wire Thickness (mm <sup>2</sup> [AWG])		Breaker for Wiring*1	Breaker for Current Leakage	Minimum circuit ampacity	Maximum rating of over current protector device
		Main Cable*2	Ground				
Outdoor Unit	P60	~N (single), 60 Hz, 208/230 V	8.4 [AWG8]	40 A	40 A 30 mA 0.1 sec. or less	25 A	42 A
Indoor Unit	~N (single), 60 Hz, 208/230 V	Refer to installation manual of indoor unit.					

\*1. A breaker with at least 3.0 mm [1/8 inch] contact separation in each poles shall be provided. Use non-fuse breaker (NF) or earth leakage breaker (NV).

\*2. Use copper supply wires. Use the electric wires over the rating voltage 300 V.

1. Use a separate power supply for the outdoor unit and indoor unit.
2. Bear in mind ambient conditions (ambient temperature, direct sunlight, rain water, etc.) when proceeding with the wiring and connections.
3. The wire size is the minimum value for metal conduit wiring. The power cord size should be 1 rank thicker consideration of voltage drops. Make sure the power-supply voltage does not drop more than 10%.
4. Specific wiring requirements should adhere to the wiring regulations of the region.
5. Power supply cords of parts of appliances for outdoor use shall not be lighter than polychloroprene sheathed flexible cord (design 60245 IEC57). For example, use wiring such as YZW.
6. Install an earth longer than other cables.

#### ⚠ Warning:

- Be sure to use specified wires to connect so that no external force is imparted to terminal connections. If connections are not fixed firmly, it may cause heating or fire.
- Be sure to use the appropriate type of overcurrent protection switch. Note that generated overcurrent may include some amount of direct current.

#### ⚠ Caution:

- Some installation site may require attachment of an earth leakage breaker. If no earth leakage breaker is installed, it may cause an electric shock.
- Do not use anything other than breaker and fuse with correct capacity. Using fuse and wire or copper wire with too large capacity may cause a malfunction of unit or fire.

#### IMPORTANT

Make sure that the current leakage breaker is one compatible with higher harmonics. Always use a current leakage breaker that is compatible with higher harmonics as this unit is equipped with an inverter. The use of an inadequate breaker can cause the incorrect operation of inverter.

Never splice the power cable or the indoor-outdoor connection cable, otherwise it may result in a smoke, a fire or communication failure.

## 7. Test run

### 7.1. Before test run

- ▶ After completing installation and the wiring and piping of the indoor and outdoor units, check for refrigerant leakage, looseness in the power supply or control wiring, wrong polarity, and no disconnection of one phase in the supply.
- ▶ Use a 500-volt M-ohm tester to check that the resistance between the power supply terminals and ground is at least 1 MΩ.
- ▶ Do not carry out this test on the control wiring (low voltage circuit) terminals.

⚠ **Warning:**

Do not use the air conditioner if the insulation resistance is less than 1 MΩ.

#### Insulation resistance

After installation or after the power source to the unit has been cut for an extended period, the insulation resistance will drop below 1 MΩ due to refrigerant accumulating in the compressor. This is not a malfunction. Perform the following procedures.

1. Remove the wires from the compressor and measure the insulation resistance of the compressor.
2. If the insulation resistance is below 1 MΩ, the compressor is faulty or the resistance dropped due the accumulation of refrigerant in the compressor.

3. After connecting the wires to the compressor, the compressor will start to warm up after power is supplied. After supplying power for the times indicated below, measure the insulation resistance again.
  - The insulation resistance drops due to accumulation of refrigerant in the compressor. The resistance will rise above 1 MΩ after the compressor is warmed up for four hours.  
(The time necessary to warm up the compressor varies according to atmospheric conditions and refrigerant accumulation.)
  - To operate the compressor with refrigerant accumulated in the compressor, the compressor must be warmed up at least 12 hours to prevent breakdown.
4. If the insulation resistance rises above 1 MΩ, the compressor is not faulty.

⚠ **Caution:**

- **The compressor will not operate unless the power supply phase connection is correct.**
- **Turn on the power at least 12 hours before starting operation.**
- Starting operation immediately after turning on the main power switch can result in severe damage to internal parts. Keep the power switch turned on during the operational season.
- ▶ **The followings must be checked as well.**
  - The outdoor unit is not faulty. LED on the control board of the outdoor unit flash when the outdoor unit is faulty.
  - Both the gas and liquid stop valves are completely open.

## 7.2. Test run

### 7.2.1. Using remote controller

Refer to the indoor unit installation manual.

- Be sure to perform the test run for each indoor unit. Make sure each indoor unit operates properly following the installation manual attached to the unit.
- If you perform the test run for all indoor units at once, you cannot detect any erroneous connection, if any, of the refrigerant pipes and the connecting wires.
- \* The compressor operation is not available for 3 minutes at least after the power is supplied.
- The compressor can emit noise just after turn on the power supply or in case of low outside air temperature.

#### About the restart protective mechanism

Once the compressor stops, the restart preventive device operates so the compressor will not operate for 3 minutes to protect the air conditioner.

### 7.2.2. Using SW3 in outdoor unit

**Note:**

**In case of the test run from outdoor unit, all indoor units operate. Therefore, you can not detect any erroneous connection of refrigerant pipes and the connecting wires. If it aims at detection of any erroneous connection, be sure to carry out the test run from remote controller with reference to "7.2.1 Using remote controller".**

SW3-1	ON	Cooling operation
SW3-2	OFF	
SW3-1	ON	Heating operation
SW3-2	ON	

\* After performing the test run, set SW3-1 to OFF.

- A few seconds after the compressor starts, a clanging noise may be heard from the inside of the outdoor unit. The noise is coming from the check valve due to the small difference in pressure in the pipes. The unit is not faulty.

**The test run operation mode cannot be changed by DIP switch SW3-2 during the test run. (To change the test run operation mode during the test run, stop the test run by DIP switch SW3-1. After changing the test run operation mode, resume the test run by switch SW3-1.)**

## 7.3. Refrigerant collecting (Pump down)

Before removing air conditioners for transfer to another location, always close the stop valve (for both liquid and gas pipes) located at the outdoor unit, then remove the indoor and outdoor units. At this time, the refrigerant in the indoor unit will be discharged. To minimize the refrigerant discharged, a pump down operation is required. This operation collects the refrigerant present inside the air conditioner and sends it into the heat exchanger located in the outdoor unit.

#### Pump down procedure

- ① Operate all indoor units in cooling mode and check that the operation mode has changed to "COOL". (Set the units so that cooling operation mode is activated during the pump down operation (when the TEST RUN button is pressed).)
- ② Connect a gauge manifold valve (with pressure gauge) to the stop valve of the gas pipe, to enable measurement of refrigerant pressure.
- ③ After setting the outdoor service switch SW3-2 to OFF, set the switch SW3-1 to ON. (The unit will start in cooling mode.)
- ④ After the cooling operation has been carried out for approximately five minutes, set the outdoor service switch SW2-4 (pump down switch) from OFF to ON.
- ⑤ Close the stop valve on the liquid pipe, with the cooling operation still ON. (Pump down operation will start.)
- ⑥ When the reading of the pressure gauge reaches 0 to 0.1 MPa [14.5 PSIG] or when approximately 5 minutes have elapsed following the start of the pump down operation, fully close the stop valve on the gas pipe and stop the air conditioner by setting the switch SW3-1 to OFF immediately.

⑦ Set the outdoor service switch SW2-4 from ON to OFF.

⑧ Remove the gauge manifold valve and put the cap back onto each stop valve.

**Note:**

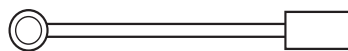
- ① **Never carry out pump down operation if the amount of refrigerant inside the indoor unit is larger than the amount of charge-less refrigerant. Carrying out a pump down operation when the amount of refrigerant exceeds the amount of charge-less refrigerant will cause an extreme pressure rise and may result in an accident.**
- ② **Do not continue to operate for a long time with the switch SW2-4 set to ON. Make sure to switch it to OFF after pump down is completed.**
- ③ **Test run can be carried out when the test run switch SW3-1 is ON. Switch SW3-2 is used to operating mode selection. (On: Heating, OFF: Cooling)**
- ④ **Time required for a pump down operation is three to five minutes after the stop valve on the liquid pipe has been closed. (It depends on the ambient temperature and amount of refrigerant inside the indoor unit.)**
- ⑤ **Ensure that the reading of the pressure gauge does not drop below 0 MPa (0 PSIG). If it drops 0 MPa [0 PSIG] (i.e. vacuum is created), air will be drawn into the unit if there are any loose connections.**
- ⑥ **Even if the reading of the pressure gauge does not drop below 0 MPa [0 PSIG], always stop the pump down operation within approximately five minutes after the stop valve on the liquid pipe has been fully closed.**

# Contenido

1. Medidas de Seguridad .....	12	5. Tubería de drenaje .....	18
2. Lugar de instalación .....	13	6. Trabajo eléctrico .....	18
3. Instalación de la unidad exterior.....	15	7. Prueba de funcionamiento .....	21
4. Instalación de los tubos del refrigerante.....	15		

## Confirmación de las piezas incluidas

Además del presente manual, se suministran las siguientes piezas con la unidad exterior. Estas piezas se utilizan para cablear a tierra los terminales S de los bloques del terminal de transmisión TB3 y TB7. Para obtener más información, consulte apartado "6. Trabajo eléctrico".



Cableado a tierra (x 2)

## 1. Medidas de Seguridad

- ▶ Antes de instalar la unidad, asegúrese de haber leído el capítulo de "Medidas de Seguridad".
- ▶ Antes de conectar el sistema, informe al servicio de suministro o pídale permiso para efectuar la conexión.

**⚠ Atención:**  
Describe las precauciones que deben tenerse en cuenta para evitar el riesgo de lesiones o muerte del usuario.

**⚠ Cuidado:**  
Describe las precauciones que deben tenerse en cuenta para evitar daños en la unidad.

**⚠ Atención:**

- El usuario no debe instalar la unidad. La instalación del aire acondicionado debe correr a cargo del distribuidor o técnico autorizado. La instalación incorrecta de la unidad puede provocar escapes de agua, descargas eléctricas o incendios.
- Para la instalación, siga las instrucciones del Manual de instalación y utilice las herramientas y piezas de fontanería específicamente diseñados para utilizar con el refrigerante R410A. El refrigerante R410A en el sistema de HFC puede asimilar una presión 1,6 veces superior a la de los refrigerantes convencionales. Si los accesorios de fontanería que se instalan no están fabricados para el refrigerante R410A, los tubos se pueden quemar y causar daños o lesiones. Además, pueden producirse escapes de agua, descargas eléctricas o incendios.
- La unidad debe instalarse según las instrucciones para reducir posibles daños en caso de terremoto, huracán o vientos fuertes. Si no se instala correctamente, la unidad podría caerse y provocar daños o lesiones.
- La unidad debe instalarse firmemente sobre una estructura capaz de soportar su peso. Si la unidad se instala sobre una estructura inestable, podría caerse y provocar daños o lesiones.
- Si el equipo de aire acondicionado se instala en una sala pequeña deberán tomarse medidas para prevenir que la concentración de refrigerante exceda los límites de seguridad en caso de fugas. Pregunte a un distribuidor por las medidas adecuadas para evitar que la concentración exceda los límites. Si se produce una fuga de refrigerante que sobrepase los límites de concentración, la estancia en la sala puede ser peligrosa por falta de oxígeno.
- Si se produce una fuga de refrigerante durante el funcionamiento, ventile la sala. Si el refrigerante entra en contacto con una llama, se desprenderán gases nocivos.
- Todas las conexiones eléctricas deberán ser realizadas por un técnico cualificado según la normativa local y las instrucciones de este manual. Cada unidad debe tener su línea eléctrica y se deben usar disyuntores y un voltaje correcto. El uso de líneas eléctricas con una capacidad insuficiente o una conexión eléctrica incorrecta puede provocar descargas eléctricas o incendios.
- Utilice tubos de cobre fosforoso del tipo C1220 y tubos de aleación de cobre sin costuras para conectar los tubos del refrigerante. Si los tubos no se conectan correctamente, la unidad no estará bien puesta a tierra y puede provocar descargas eléctricas.

### 1.1. Cuestiones previas a la instalación

**⚠ Cuidado:**

- No utilice la unidad en un ambiente enrarecido. Este aire acondicionado no se puede instalar en áreas expuestas a vapor, aceite esencial (incluyendo el aceite para máquinas) o al humo sulfúrico, ni en áreas con alto contenido en sal, como playas, o en zonas donde la nieve pueda cubrir la unidad, ya que pueden reducir significativamente su rendimiento y dañar las piezas internas.
- No instale la unidad donde se puedan verter, producir, circular o acumular gases inflamables. Si se acumula gas inflamable en zonas próximas a la unidad, se podría producir un incendio o una explosión.
- La unidad exterior produce condensación cuando funciona como calefacción.

### 1.2. Cuestiones previas a la instalación (reubicación)

**⚠ Cuidado:**

- Tenga mucho cuidado cuando mueva las unidades. Se necesitan dos o más personas para llevar la unidad porque pesa 20 kg [44 lbs] o más. No la sujete por las bandas de embalaje. Utilice guantes protectores para sacar la unidad de la caja y para moverla, ya que se podría lesionar con las aletas u otras partes.
- Guarde los embalajes en un lugar seguro. Los materiales de embalaje, como clavos y otras piezas de metal o de madera pueden producir pinchazos y otras lesiones.
- La base y los aditamentos de fijación de la unidad exterior deben comprobarse

Después de terminar la instalación, explique las "Medidas de Seguridad", funcionamiento y mantenimiento de la unidad al cliente según el Manual de instrucciones y realice una prueba para asegurarse de que funciona correctamente. Entregue una copia del Manual de instalación y del Manual de instrucciones al usuario. Estos manuales deben pasar a usuarios posteriores del equipo.

**⚡** : Indica una pieza que debe estar conectada a tierra.

**⚠ Atención:**

Lea atentamente las etiquetas adheridas a la unidad principal.

- Utilice solo cables especificados para el cableado. Las conexiones del cableado se deben realizar con seguridad sin que se ejerza tensión en las conexiones de los terminales. Asimismo, no empalme nunca los cables al realizar el cableado (a menos que se indique lo contrario en este documento). El hecho de no seguir estas instrucciones puede provocar un sobrecalentamiento o un incendio.
- La cubierta del bloque de terminales de la unidad exterior tiene que estar bien sujeta. Si la cubierta no se instala correctamente y el polvo y la humedad entran en la unidad, se pueden producir una descarga eléctrica o un incendio.
- Cuando instale, mueva o revise el equipo de aire acondicionado, utilice solo el refrigerante indicado (R410A) para cargar los tubos del refrigerante. No lo mezcle con otro tipo de refrigerante y vacíe completamente de aire los tubos. Si el aire se mezcla con el refrigerante, podría producir una tensión anormalmente alta en el tubo del refrigerante y ocasionar una explosión u otros peligros. Usar un refrigerante distinto al indicado para el sistema provocará un fallo mecánico, un funcionamiento defectuoso del sistema o la avería de la unidad. En el peor de los casos, podría suponer un grave impedimento para garantizar la seguridad del producto.
- Utilice sólo accesorios autorizados por Mitsubishi Electric y pida a su distribuidor o a un técnico autorizado que se los instale. Si los accesorios no se instalan correctamente, pueden producirse escapes de agua, descargas eléctricas o incendios.
- No modifique la unidad. Para las reparaciones, acuda a su distribuidor. Si las modificaciones o las reparaciones no se realizan correctamente, pueden producirse escapes de agua, descargas eléctricas o incendios.
- El usuario nunca debe intentar reparar la unidad o moverla de sitio. Si la unidad no se instala correctamente, pueden producirse escapes de agua, descargas eléctricas o incendios. Si debe reparar o mover el equipo de aire acondicionado, acuda a su distribuidor o técnico autorizado.
- Tras haber realizado la instalación, compruebe si hay fugas de refrigerante. Si en caso de fuga el refrigerante entra en contacto con las llamas de un calentador o de un equipo de cocina portátil, se desprenderán gases nocivos.

Asegúrese de habilitar drenaje alrededor de la unidad exterior si la condensación puede provocar daños.

- Si instala la unidad en un hospital o en un centro de comunicaciones, recuerde que la unidad produce ruidos e interferencias electrónicas. Los conmutadores, aparatos domésticos, equipos médicos de alta frecuencia y las comunicaciones de radio pueden provocar un mal funcionamiento o la avería del equipo de aire acondicionado. El equipo de aire acondicionado también puede afectar los equipos médicos e interrumpir los cuidados médicos, así como los equipos de comunicación y dañar la calidad de la pantalla.

periódicamente para detectar posibles roturas, tuercas flojas o cualquier otro daño que hayan podido sufrir. Si no se solucionan esos problemas, la unidad podría caerse y causar daños o lesiones.

- No limpie con agua el equipo de aire acondicionado. Puede sufrir una descarga eléctrica.
- Apriete las tuercas de abocardado a los niveles recomendados mediante una llave dinamométrica. Si las aprieta demasiado, se pueden romper al cabo de un tiempo y producirse fugas de refrigerante.

# 1. Medidas de Seguridad

## 1.3. Antes de la instalación eléctrica

⚠ Cuidado:

- Asegúrese de instalar disyuntores. Si no se instalan, se podrían producir descargas eléctricas.
- Use cables estándar de suficiente capacidad para las líneas eléctricas. Si no lo hace así, se podría producir un cortocircuito, un sobrecalentamiento o un incendio.
- Cuando instale las líneas eléctricas, los cables no deben tener corriente. Si las conexiones se aflojan, los cables se podrían cruzar o romper y se podría producir un incendio o un sobrecalentamiento.
- Asegúrese de instalar una toma de tierra. No conecte el cable de tierra a las tomas de tierra de las tuberías de gas o de agua, de postes de iluminación o de teléfono. Si la unidad no está bien conectada a la línea de tierra, se puede producir una descarga eléctrica.
- Utilice disyuntores (interruptor de falta de tierra, interruptor aislante (+fusible B) e interruptores en caja moldeada) con la potencia especificada. Si la potencia del interruptor es mayor que la especificada, puede ocurrir un incendio o una avería.

## 1.4. Antes de realizar las pruebas de funcionamiento

⚠ Cuidado:

- Conecte la corriente al menos 12 horas antes de que empiece a funcionar el equipo. Si se acciona inmediatamente después de haberlo conectado a la corriente, pueden producirse daños graves en las piezas internas. Mantenga la unidad conectada a la corriente durante la temporada de funcionamiento.
- Antes de que comience a funcionar el equipo, compruebe que todos los paneles y protectores están instalados correctamente. Las piezas giratorias, calientes o de alto voltaje pueden provocar lesiones.
- No toque ningún interruptor con las manos mojadas. Puede sufrir una descarga eléctrica.
- No toque la tubería del refrigerante sin guantes mientras durante el funcionamiento. La tubería del refrigerante está caliente o frío según las condiciones de la corriente de refrigerante. Si toca la tubería puede sufrir quemaduras por el calor o por el frío.
- Una vez deje de funcionar el aparato, espere cinco minutos antes de apagar el interruptor principal. De lo contrario, se puede producir un goteo de agua o una avería.

## 1.5. Utilización del refrigerante R410A para equipos de aire acondicionado

⚠ Cuidado:

- Utilice tubos de cobre fosforoso del tipo C1220 y tubos de aleación de cobre sin costuras para conectar los tubos del refrigerante. Asegúrese de que el interior de las tuberías está limpio y que no contienen ningún contaminante dañino como compuestos sulfúricos, oxidantes, impurezas o polvo. Utilice tuberías con el grosor especificado. (Consulte la página 15) Tenga en cuenta lo siguiente si reutiliza tuberías que contenían refrigerante R22.
- Sustituya las tuercas de abocardado existentes y vuelva a abocardar las secciones abocardadas.
- No use tuberías de poco grosor. (Consulte la página 15)
- Almacene las tuberías que se deban instalar en el interior y mantenga los orificios tapados hasta el momento de instalarlas. (Deje las juntas articuladas y otras piezas en sus embalajes.) Si el polvo, los restos o la humedad entran en las tuberías de refrigeración, se puede producir el deterioro del aceite o una avería en el aparato.
- Utilice aceite de éster, de éter o alquilobenceno (en pequeñas cantidades) para recubrir las secciones abocardadas. Si se mezcla aceite mineral con aceite de refrigeración se puede deteriorar el aceite.
- No utilice otro refrigerante que no sea R410A. Si utiliza otro refrigerante, el color provocará el deterioro del aceite.
- Utilice las siguientes herramientas especialmente diseñadas para usar con el refrigerante R410A. Se necesitan las siguientes herramientas para utilizar el refrigerante R410A. Si tiene alguna duda, consulte con su distribuidor más cercano.

Herramientas (para R410A)	
Manómetro	Abocardador
Manguera de carga	Ajustador del tamaño
Detector de fugas de gas	Adaptador de la bomba de vacío
Llave dinamométrica	Báscula electrónica de carga del refrigerante

## 1.6. Precauciones para modelo resistentes a los efectos dañinos de la sal (modelo “-BS”)

Aunque este producto (sólo modelo “-BS”) ha sido diseñado para resistir a los efectos dañinos de la sal, tenga en cuenta las siguientes precauciones para mantener la unidad en buen estado de conservación.

- 1.No instale la unidad en lugares donde quede expuesta directamente al agua del mar o a la brisa marina.
- 2.Si existe la posibilidad de que quede acumulada sal sobre el panel de cubierta, asegúrese de instalar la unidad allí donde el agua de lluvia pueda eliminar la capa de sal. (Si se coloca un quitasol, podría ser que el agua de lluvia no limpiara bien el panel.)
- 3.Para garantizar que el agua no se acumula en la base de la unidad exterior, asegúrese de que dicha base está nivelada, y no inclinada. Si se acumula agua en la base de la unidad exterior podría aparecer óxido.
- 4.Si la unidad se instala en una zona costera, límpiela periódicamente con agua para eliminar la sal acumulada.
- 5.Si la unidad sufre daños durante la instalación o el mantenimiento, asegúrese de arreglarla.
- 6.Asegúrese de comprobar periódicamente el buen estado de la unidad.
- 7.Asegúrese de instalar la unidad en un lugar donde desagüe correctamente.

# 2. Lugar de instalación

## 2.1. Tubería de refrigerante

Consulte la Fig. 4-1.

## 2.2. Elección del lugar de instalación de la unidad exterior

- No instale la unidad en lugares expuestos a fuentes de calor.
- Escoja un lugar donde el ruido de la unidad no moleste a los vecinos.
- Escoja un lugar donde sea fácil instalar el cableado y las tuberías y acceder a la fuente de alimentación y a la unidad exterior.
- No instale la unidad donde se puedan verter, producir, circular o acumular gases inflamables.
- Durante el funcionamiento, la unidad puede perder agua.
- Escoja un lugar nivelado que pueda soportar el peso y la vibración de la unidad.
- No instale la unidad en lugares donde la pueda cubrir la nieve. En zonas propensas a las nevadas intensas, se deben tomar medidas de precaución, como por ejemplo, situar la unidad elevada o instalar una protección en la entrada de aire para evitar que la nieve la obstruya o fluya directamente contra ésta. Esto reduce la corriente de aire e impide que la unidad funcione correctamente.
- Las unidades interiores, con los números de modelo P06-P72, se podrán conectar. Consulte la tabla siguiente para las combinaciones de unidades interiores de 1 a 12 habitaciones.
- Utilice las asas de transporte de la unidad exterior para transportarla. Si transporta la unidad tomándola por la parte inferior se podría lesionar las manos o los dedos.

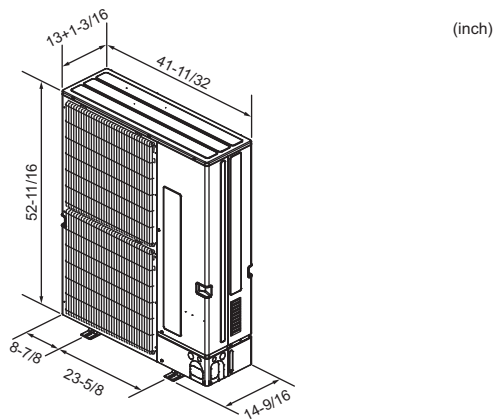


Fig. 2-1

## 2.3. Dimensiones exteriores (Unidad exterior) (Fig. 2-1)

### Limitaciones en la instalación de las unidades interiores

Tenga en cuenta que los modelos de unidades interiores que se pueden conectar a esta unidad exterior son los siguientes.

- Las unidades interiores, con los números de modelo P06-P72, se podrán conectar. Consulte la tabla siguiente para las combinaciones de unidades interiores de 1 a 12 habitaciones.

### Verificación

La capacidad nominal se debe determinar de acuerdo con la siguiente tabla. Las cantidades de la unidad están limitadas de 1 a 12 unidades. En el siguiente paso, asegúrese de que la capacidad nominal seleccionada esté dentro del rango del 50% al 130% de la capacidad de la unidad exterior.

- PUMY-P60 30.000 - 78.000 Btu/h

Tipo de unidad interior	P06	P08	P12	P15	P18	P24	P30	P36	P48	P54	P72
Capacidad nominal (Refrigeración) (Btu/h)	6.000	8.000	12.000	15.000	18.000	24.000	30.000	36.000	48.000	54.000	72.000

Las combinaciones en las que la capacidad total de las unidades interiores sobrepase la capacidad de la unidad exterior reducirán la capacidad de refrigeración de cada unidad interior por debajo de la capacidad nominal de refrigeración correspondiente. Por ello, si es posible, combine las unidades interiores según la capacidad que admita la unidad exterior.

## 2. Lugar de instalación

### 2.4. Ventilación y espacio de servicio

#### 2.4.1. Cuando se instala una unidad exterior simple

Las dimensiones mínimas son las siguientes, excepto para máx. (dimensiones máximas), las cuales también están indicadas.

Consulte los números correspondientes para cada caso.

- ① Obstáculos sólo en la parte trasera (Fig. 2-2)
- ② Obstáculos sólo en la parte trasera y superior (Fig. 2-3)
  - No utilice las guías para salida de aire opcionales para corriente de aire hacia arriba.
- ③ Obstáculos sólo en la parte trasera y los laterales (Fig. 2-4)
- ④ Obstáculos sólo en la parte delantera (Fig. 2-5)
  - \* Si utiliza una guía para salida de aire opcional, el espacio libre deberá ser de 500 mm [19-11/16 inch] o más.
- ⑤ Obstáculos sólo en la parte delantera y trasera (Fig. 2-6)
  - \* Si utiliza una guía para salida de aire opcional, el espacio libre deberá ser de 500 mm [19-11/16 inch] o más.
- ⑥ Obstáculos sólo en la parte trasera, los laterales y superior (Fig. 2-7)
  - No utilice las guías para salida de aire opcionales para corriente de aire hacia arriba.

#### 2.4.2. Cuando instale varias unidades exteriores

Deje un espacio de 10 mm [3/32 inch] o más entre las unidades.

- ① Obstáculos sólo en la parte trasera (Fig. 2-8)
- ② Obstáculos sólo en la parte trasera y superior (Fig. 2-9)
  - No se deben instalar más de tres unidades correlativas. Además, se debe dejar el espacio indicado.
  - No utilice las guías para salida de aire opcionales para corriente de aire hacia arriba.
- ③ Obstáculos sólo en la parte delantera (Fig. 2-10)
  - \* Si utiliza una guía para salida de aire opcional, el espacio libre deberá ser de 1000 mm [39-3/8 inch] o más.
- ④ Obstáculos sólo en la parte delantera y trasera (Fig. 2-11)
  - \* Si utiliza una guía para salida de aire opcional, el espacio libre deberá ser de 1000 mm [39-3/8 inch] o más.
- ⑤ Disposición en paralelo de unidades simples (Fig. 2-12)
  - \* Si utiliza una guía para salida de aire opcional instalada para que el aire salga hacia arriba, el espacio libre debe ser de 1000 mm [39-3/8 inch] o más.
- ⑥ Disposición en paralelo de varias unidades (Fig. 2-13)
  - \* Si utiliza una guía para salida de aire opcional instalada para que el aire salga hacia arriba, el espacio libre debe ser de 1500 mm [59-1/16 inch] o más.
- ⑦ Disposición de unidad apilada (Fig. 2-14)
  - Se pueden apilar hasta dos unidades de altura.
  - No se deben instalar más de dos unidades correlativas. Además, se debe dejar el espacio indicado.

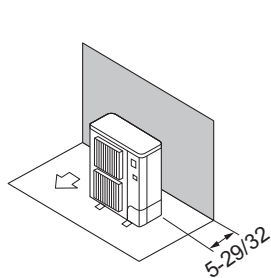


Fig. 2-2

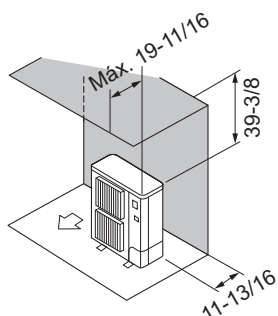


Fig. 2-3

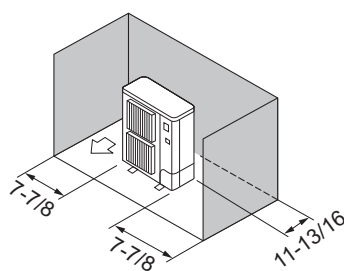


Fig. 2-4

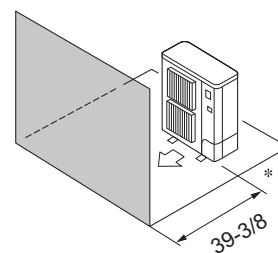


Fig. 2-5

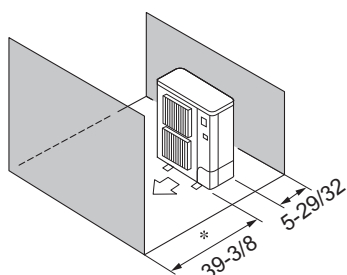


Fig. 2-6

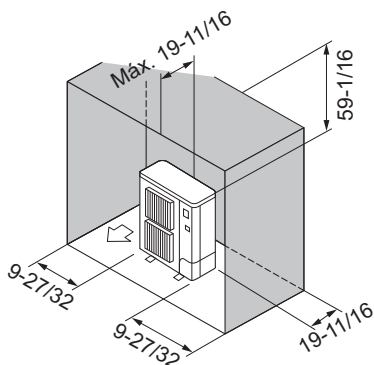


Fig. 2-7

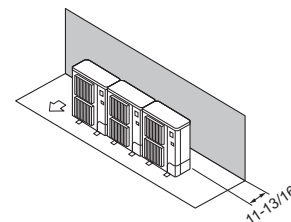


Fig. 2-8

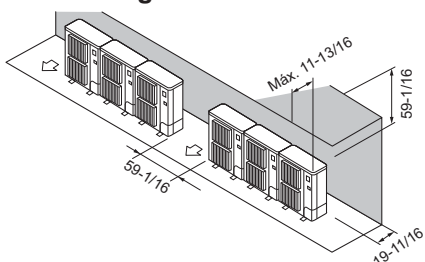


Fig. 2-9

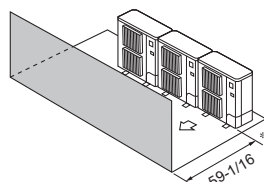


Fig. 2-10

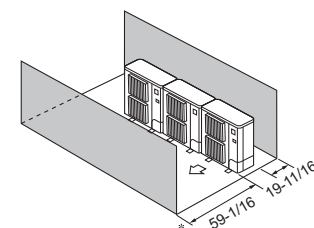


Fig. 2-11

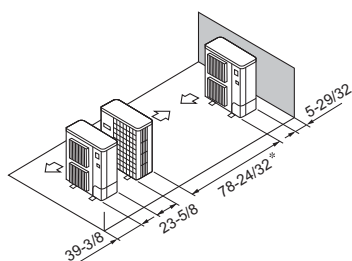


Fig. 2-12

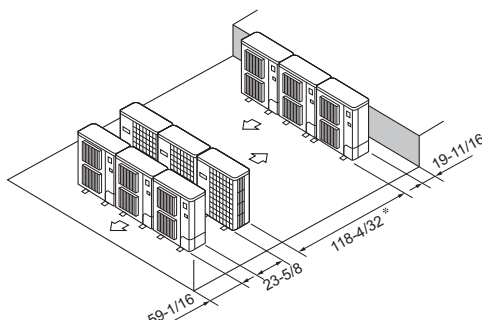


Fig. 2-13

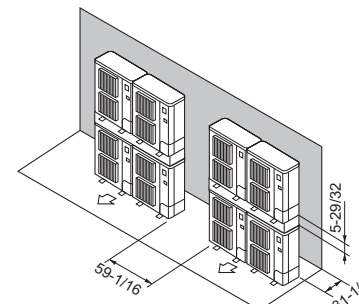


Fig. 2-14

(inch)

## 2. Lugar de instalación

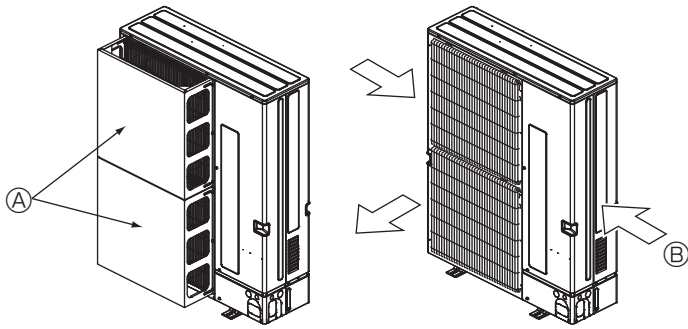


Fig. 2-15

Fig. 2-16

### 2.4.3. Instalación en lugares expuestos al viento

Cuando instale una unidad en el tejado o en otros lugares desprotegidos del viento, la salida de aire de la unidad no debe quedar expuesta directamente al viento fuerte. Si el viento fuerte entra en la salida de aire puede impedir la circulación normal del aire y causar un mal funcionamiento.

A continuación se muestran 2 ejemplos de precauciones contra el viento fuerte.

- ① Si la unidad está situada en un lugar expuesto a vientos fuertes como huracanes que puedan entrar en la salida de aire, coloque una guía de aire opcional. (Fig. 2-15)
  - Ⓐ Guía de aire
- ② Coloque la unidad de manera que la salida de aire sople en dirección perpendicular a la dirección estacional del viento, si la conoce. (Fig. 2-16)
  - Ⓑ Dirección del viento

## 3. Instalación de la unidad exterior

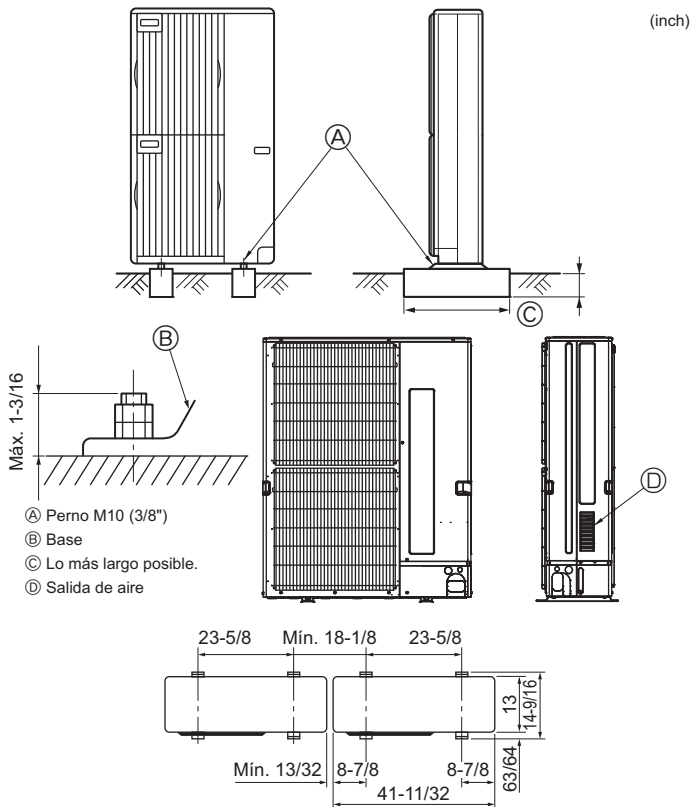


Fig. 3-1

• Cerciórese de instalar la unidad en una superficie robusta y nivelada para evitar los ruidos de traqueteo durante la operación. (Fig. 3-1)

<Especificaciones de la cimentación>

Perno de cimentación	M10 (3/8")
Grosor del hormigón	120 mm [4-23/32 inch]
Longitud del perno	70 mm [2-3/4 inch]
Capacidad de soporte de peso	320 kg [705 lbs]

- Cerciórese de que la longitud del perno de cimentación esté dentro de 30 mm [1-3/16 inch] de la superficie inferior de la base.
- Asegure firmemente la base de la unidad con cuatro pernos de cimentación M10 en lugares robustos.

### Instalación de la unidad exterior

- No obstruya la salida de aire. Si se obstruye la salida de aire, se puede dificultar el funcionamiento del aparato y puede causar una avería.
- Además de la base de la unidad, utilice los orificios de instalación situados en la parte trasera de la unidad para añadirle cables u otros elementos necesarios para instalar la unidad. Utilice tirafondos (ø5 × 15 mm [ø13/16 × 19/32 inch] o menos) para instalar el equipo.

### ⚠ Atención:

- La unidad debe instalarse firmemente sobre una estructura capaz de soportar su peso. Si la unidad se instala sobre una estructura inestable, podría caerse y provocar daños o lesiones.
- La unidad debe instalarse según las instrucciones para reducir posibles daños en caso de terremoto, huracán o vientos fuertes. Si no se instala correctamente, la unidad podría caerse y provocar daños o lesiones.

## 4. Instalación de los tubos del refrigerante

### 4.1. Precauciones a tomar en equipos que utilicen el refrigerante R410A

- Consulte la página 13 para las precauciones a tomar en equipos que utilicen el refrigerante R410A y que no se encuentren a continuación.
- Utilice aceite de éster, de éter o alquilobenceno (en pequeñas cantidades) para recubrir las secciones abocardadas.
- Utilice tubos de cobre fosforoso del tipo C1220 y tubos de aleación de cobre sin costuras para conectar los tubos del refrigerante. Utilice tuberías para refrigerante del grosor especificado en la tabla siguiente. Asegúrese de que el interior de las tuberías está limpio y que no contienen ningún contaminante nocivo como compuestos sulfúricos, oxidantes, restos o polvo.

### ⚠ Atención:

Cuando instale, mueva o revise el equipo de aire acondicionado, utilice solo el refrigerante indicado (R410A) para cargar los tubos del refrigerante. No lo mezcle con otro tipo de refrigerante y vacíe completamente de aire los tubos. Si el aire se mezcla con el refrigerante, podría producir una tensión anormalmente alta en el tubo del refrigerante y ocasionar una explosión u otros peligros. Usar un refrigerante distinto al indicado para el sistema provocará un fallo mecánico, un funcionamiento defectuoso del sistema o la avería de la unidad. En el peor de los casos, podría suponer un grave impedimento para garantizar la seguridad del producto.

Tipo de unidad interior	P06-P18	P24-P60	P72
Tubo de líquido	ø6,35 mm [1/4 inch] grosor 0,8 mm [1/32 inch]	ø9,52 mm [3/8 inch] grosor 0,8 mm [1/32 inch]	ø9,52 mm [3/8 inch] grosor 0,8 mm [1/32 inch]
Tubo de gas	ø12,7 mm [1/2 inch] grosor 0,8 mm [1/32 inch]	ø15,88 mm [5/8 inch] grosor 1,0 mm [5/128 inch]	ø19,05 mm [3/4 inch] grosor 1,0 mm [5/128 inch]

- No utilice tubos con un grosor menor del especificado a continuación.
- Para tuberías de ø19,05 mm [3/4 inch], utilice tuberías de material 1/2H (al vacío).
- Los grosores que se enumeran en la tabla anterior están basados en estándares japoneses. Utilice tuberías que funcionen a una presión de 4,15 MPa [601 PSIG] como mínimo de acuerdo a los estándares locales.

## 4. Instalación de los tubos del refrigerante

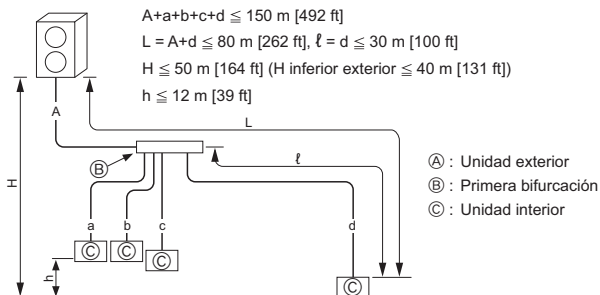
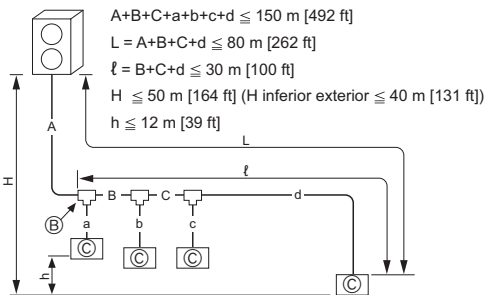
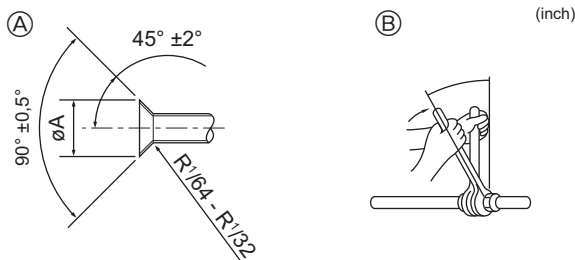


Fig. 4-1



A) Dimensiones del corte abocinado  
B) Torsión de apriete de la tuerca abocardada

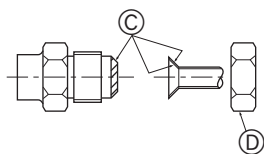


Fig. 4-2

A) (Fig. 4-2) (mm [inch])

Tubo de cobre O.D.	Dimensiones de abocinado dimensiones $\phi A$
$\phi 6,35$ [1/4]	8,7 - 9,1 [11/32-23/64]
$\phi 9,52$ [3/8]	12,8 - 13,2 [1/2-33/64]
$\phi 12,7$ [1/2]	16,2 - 16,6 [41/64-21/32]
$\phi 15,88$ [5/8]	19,3 - 19,7 [49/64-25/32]
$\phi 19,05$ [3/4]	23,6 - 24,0 [15/16-61/64]

B) (Fig. 4-2)

Tubo de cobre O.D. (mm [inch])	Tuerca de abocardado O.D. (mm [inch])	Torsión de apriete (N·m [ft·lbs])
$\phi 6,35$ [1/4]	17 [43/64]	14 - 18 [10-13]
$\phi 6,35$ [1/4]	22 [7/8]	34 - 42 [25-30]
$\phi 9,52$ [3/8]	22 [7/8]	34 - 42 [25-30]
$\phi 12,7$ [1/2]	26 [1-3/64]	49 - 61 [35-44]
$\phi 12,7$ [1/2]	29 [1-9/64]	68 - 82 [49-59]
$\phi 15,88$ [5/8]	29 [1-9/64]	68 - 82 [49-59]
$\phi 15,88$ [5/8]	36 [1-27/64]	100 - 120 [71-87]
$\phi 19,05$ [3/4]	36 [1-27/64]	100 - 120 [71-87]

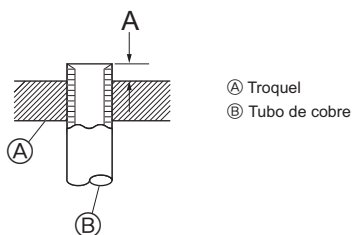


Fig. 4-3

A (mm [inch])

	A) Tubo de líquido	B) Tubo de gas
PUMY	$\phi 9,52$ [3/8]	$\phi 19,05$ [3/4]

B, C, D (mm [inch])

	A) Tubo de líquido	B) Tubo de gas
C) Capacidad total de las unidades interiores	$\phi 9,52$ [3/8]	$\phi 19,05$ [3/4]

a, b, c, d, e, f (mm [inch])

	A) Tubo de líquido	B) Tubo de gas
D) Número de modelo	$\phi 6,35$ [1/4]	$\phi 12,7$ [1/2]
P06, P08, P12, P15, P18	$\phi 6,35$ [1/4]	$\phi 12,7$ [1/2]
P24, P30, P36, P48, P54	$\phi 9,52$ [3/8]	$\phi 15,88$ [5/8]
P72	$\phi 9,52$ [3/8]	$\phi 19,05$ [3/4]

E) Modelo de juego de bifurcación
CMY-Y62-G-E

F) 4-Cabezal de bifurcación	G) 8-Cabezal de bifurcación
CMY-Y64-G-E	CMY-Y68-G-E

### 4.2. Tubos de conexión (Fig. 4-2)

La Fig. 4-1 muestra un sistema de tuberías de ejemplo.

- Si se utilizan tubos de cobre convencionales, envuelva los tubos de gas y líquido con materiales aislantes (resistente al calor hasta 100°C [212°F] o más, espesor de 12 mm [1/2 inch] o más).
- Las piezas interiores del tubo de drenaje tienen que estar envueltas en materiales aislantes de espuma de polietileno (gravedad específica de 0,03 y espesor de 9 mm [23/64 inch] o más).
- Aplique una capa delgada de aceite refrigerante a la superficie tubo y de la junta de asiento antes de apretar la tuerca de abocardado. A
- Utilice dos llaves de apriete para apretar las conexiones de los tubos. B
- Utilice un detector de fugas o agua jabonosa para comprobar posibles fugas de gas una vez realizadas las conexiones.
- Aplique aceite refrigerante para máquinas en toda la superficie abocinada. C
- Utilice las tuercas abocardadas para el siguiente tamaño de tubería. D

(mm [inch])

		Unidad interior			Unidad exterior
		P06-P18	P24-P54	P72	P60
Lado de gas	Tamaño de la tubería	$\phi 12,7$ [1/2]	$\phi 15,88$ [5/8]	$\phi 19,05$ [3/4]	$\phi 19,05$ [3/4]
Lado de líquido	Tamaño de la tubería	$\phi 6,35$ [3/8]	$\phi 9,52$ [3/8]	$\phi 9,52$ [3/8]	$\phi 9,52$ [3/8]

- Cuando doble los tubos, tenga cuidado de no romperlos. Un radio de curvatura de 100 mm [3-15/16 inch] a 150 mm [5-27/32 inch] es suficiente.
- Asegúrese de que las tuberías no tocan el compresor. Podría producir ruidos o vibraciones extrañas.

① Las tuberías se deben conectar empezando por la unidad interior.

Las tuercas abocardadas se deben apretar con una llave dinamométrica.

② Caliente el tubo de líquido y el tubo de gas y aplique una fina capa de aceite de refrigeración (aplicado directamente).

Cuando utilice un sellador de tubos normal, consulte la Tabla 1 para abocardar tuberías para refrigerante R410A.

Para confirmar las medidas de A se puede utilizar el ajustador del tamaño.

Tabla 1 (Fig. 4-3)

Tubo de cobre O.D. (mm [inch])	A (mm [inch])	
	Tipo gancho	
$\phi 6,35$ [1/4]	1,0 - 1,5 [3/64-1/16]	
$\phi 9,52$ [3/8]	1,0 - 1,5 [3/64-1/16]	
$\phi 12,7$ [1/2]	1,0 - 1,5 [3/64-1/16]	
$\phi 15,88$ [5/8]	1,0 - 1,5 [3/64-1/16]	
$\phi 19,05$ [3/4]	1,0 - 1,5 [3/64-1/16]	



## 4. Instalación de los tubos del refrigerante

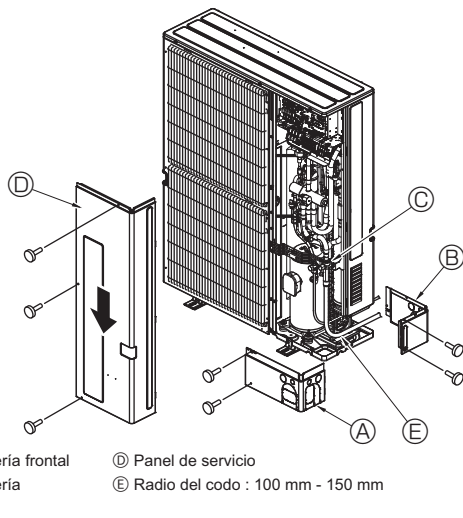


Fig. 4-4

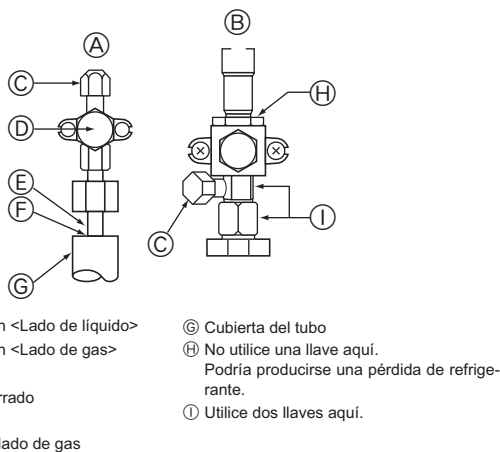


Fig. 4-5

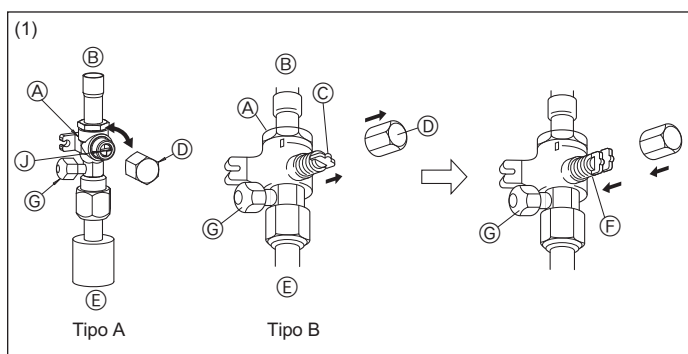


Fig. 4-6

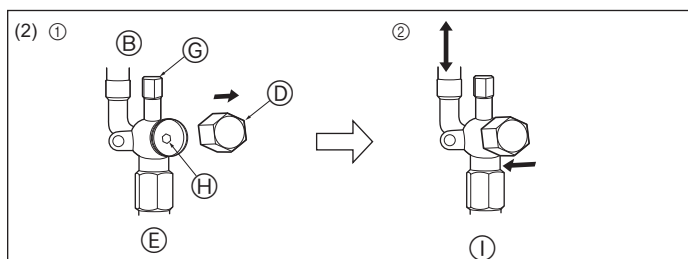


Fig. 4-7

### 4.3. Tubos de refrigerante (Fig. 4-4)

Quite el panel de servicio (D) (tres tornillos) y la cubierta de la tubería frontal (A) (dos tornillos) y cubierta de la tubería posterior (B) (dos tornillos).

- Realice las conexiones de los tubos de refrigerante de la unidad interior/externa con la válvula de parada de la unidad exterior completamente cerrada.
- Purgue el aire del sistema por succión en la unidad interior y tubos de conexión.

#### Vaciado

Realice el vaciado con la válvula de la unidad exterior cerrada, y vacíe la tubería de conexión y la unidad interior desde el puerto de servicio que se proporciona en la válvula de la unidad exterior utilizando una bomba de vacío. (Realice el vaciado siempre desde el puerto de servicio de los tubos de líquido y gas.) Una vez que la bomba haya alcanzado 650 Pa [abs] [0,0943 psi/5 Torr], continúe con el vaciado durante al menos una hora o más. Después, detenga la bomba de vacío y espere 1 hora. Asegúrese de que el grado de vacío no haya incrementado. **(Si el incremento del grado de vacío es superior a 130 Pa [0,01886 psi/1,0 Torr], es posible que haya entrado agua. Aplique presión al gas de nitrógeno seco hasta que alcance 0,05 MPa [7,25 psi] y vuelva a realizar el vacío.)** Por último, selle con el líquido refrigerante en el tubo de líquido y ajuste el tubo de gas para obtener una cantidad adecuada de refrigerante durante el funcionamiento.

\* Nunca lleve a cabo la purga del aire utilizando refrigerante.

- Tras conectar las tuberías de refrigerante con la unidad interior, compruebe que no haya fugas de gas. (Consulte apartado 4.4. Prueba de fuga de gas del tubo de refrigerante.)
- Aspire las líneas de refrigerante a través del puerto de reparaciones de las válvulas de parada de líquido y de gas. A continuación, abra completamente las válvulas de parada (tanto las válvulas de parada de líquido como las de gas). Esta operación le permitirá conectar completamente las líneas refrigerantes de las unidades interiores y exteriores.
  - Si deja cerradas las válvulas de parada y pone en marcha la unidad, el compresor y la válvula de control sufrirán daños.
  - Utilice un detector de fugas o jabón y agua para detectar las fugas de gas en las juntas de las conexiones de los tubos de la unidad exterior.
  - No utilice el refrigerante desde la unidad para purgar el aire de las líneas de refrigerante.
  - Tras haber realizado los trabajos en las válvulas, ajuste las tuercas de las válvulas a la presión adecuada: 20 a 25 N·m [14 a 18 ft·lbs] (200 a 250 kgf·cm). Si no sustituye o aprieta bien las tuercas puede provocar una fuga de refrigerante. Además, evite dañar el interior de las válvulas ya que funcionan como selladoras para evitar fugas de refrigerante.
- Utilice un sellador para proteger las conexiones de los tubos y los extremos del material aislante no se impregnen de agua.

#### Nota:

##### <Vaciado triple>

- Vacíe el sistema a 4.000 micras desde ambas válvulas de servicio. No utilice los medidores múltiples del sistema para medir el vacío. Utilice siempre un micrómetro.
  - Rompa el vacío con el nitrógeno (N<sub>2</sub>) en la válvula de servicio de descarga a 0 PSIG.
- Vacíe el sistema a 1.500 micras desde la válvula de servicio de aspiración.
  - Rompa el vacío con el nitrógeno (N<sub>2</sub>) en la válvula de servicio de descarga a 0 PSIG.
- Vacíe el sistema a 500 micras. El sistema deberá mantener el vacío a 500 micras durante mínimo 1 hora.
- Realice una prueba de aumento durante al mínimo 30 minutos.

### 4.4. Prueba de fuga de gas del tubo de refrigerante

- Conecte las herramientas para pruebas.
  - Asegúrese de que las válvulas de parada (A) (B) están cerradas y no las abra.
  - Añada presión a las líneas de refrigerante a través del puerto de reparaciones (C) de la válvula de parada de líquido (A) y de la válvula de parada del gas (B).
- No añada presión al nivel especificado de golpe; hágalo poco a poco.
  - Presurice a 0,5 MPa [73 PSIG], espere cinco minutos y compruebe que la presión no se ha reducido.
  - Presurice a 1,5 MPa [218 PSIG], espere cinco minutos y compruebe que la presión no se ha reducido.
  - Presurice a 4,15 MPa [601 PSIG] y tome la temperatura ambiental y la presión del refrigerante.
- Si la presión especificada se mantiene estable durante un día y no se reduce, las tuberías han pasado la prueba y no existe riesgo de fugas.
  - Si la temperatura ambiental cambia 1°C [1,8°F], la presión variará unos 0,01 MPa [1,5 PSIG]. Haga las correcciones necesarias.
- Si la presión se reduce en los pasos (2) o (3), hay una fuga de gas. Busque el punto de fuga del gas.

### 4.5. Método de abertura de la válvula de retención

#### (1) Lado del gas (Fig. 4-6)

##### Tipo A

- Quite la tapa, gire la válvula un cuarto de vuelta hacia la izquierda con un destornillador plano para abrirla completamente.
- Cerchiórese de que las válvulas están completamente abiertas, coloque la tapa en su posición original y apriéte-la.

##### Tipo B

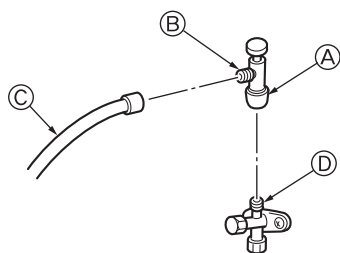
- Quite la tapa, tire de la manivela hacia usted y gire 1/4 de vuelta hacia la izquierda para abrir.
- Cerchiórese de que la válvula de parada esté completamente abierta, empuje la manivela y enrosque la tapa en su posición original.

#### (2) Lado del líquido (Fig. 4-7)

- Abra la tapa y gire la varilla de válvula hacia la izquierda hasta su tope, utilizando una llave hexagonal de 4 mm [5/32 inch]. Deje de girar cuando llega al tope. (ø6,35 [1/4 inch]: Aproximadamente 4,5 revoluciones) (ø9,52 [3/8 inch]: Aproximadamente 10 revoluciones)
- Cerchiórese de que la válvula de parada esté completamente abierta, empuje la manivela y enrosque la tapa en su posición original.

- |                         |   |
|-------------------------|---|
| (A) Válvula             | (F) Lado de posición abierta                  |
| (B) Lado de la unidad   | (G) Puerto de servicio                        |
| (C) Manivela            | (H) Orificio de llave                         |
| (D) Tapa                | (I) Dirección de circulación del refrigerante |
| (E) Lado del tubo local | (J) Sección de operación                      |

## 4. Instalación de los tubos del refrigerante



- \* La figura de la izquierda no es más que un ejemplo. La forma de la válvula de parada, la posición del puerto de servicio, etc. pueden variar en función del modelo.
- \* Gire únicamente la sección (A). (No siga apretando las secciones (A) y (B) juntas).

(C) Manguera de carga  
(D) Puerto de servicio

Fig. 4-8

- Las tuberías de refrigerante están envueltas con una protección
- Los tubos se pueden envolver para su protección hasta un diámetro de  $\varnothing 90$  mm [ $\varnothing 3.5/64$  inch] antes de conectar los tubos. Corte la tapa del tubo siguiendo la guía y envuelva los tubos.
  - Hueco de entrada de la tubería
  - Utilice masilla de minio o un sellador para sellar el extremo del tubo alrededor del tubo para que no queden espacios vacíos. (Si no se tapan los vacíos, se puede producir ruido o puede entrar agua o polvo y la unidad se podría averiar.)

### ⚠ Atención:

**Al instalar la unidad, conecte firmemente las tuberías de refrigerante antes de poner en marcha el compresor.**

### Precauciones al utilizar la válvula de carga (Fig.4-8)

**No apriete demasiado el puerto de servicio cuando lo instale, de lo contrario, el núcleo de la válvula podría deformarse y quedar suelto, provocando fugas de gas.**

Tras situar la sección (B) en la dirección deseada, gire únicamente la sección (A) y apríetela.

No siga apretando las secciones (A) y (B) juntas tras apretar la sección (A).

## 4.6. Carga adicional de refrigerante

### Carga adicional de refrigerante

El refrigerante para la tubería extendida no viene incluido en la unidad exterior cuando esta se envía de fábrica. Por lo tanto, cargue cada sistema de tuberías de refrigerante con refrigerante adicional en el lugar de la instalación. Además, para efectuar labores de mantenimiento, introduzca el tamaño y la longitud de cada tubería de líquido y cantidades de carga de refrigerante adicional en los espacios proporcionados en la placa de "Cantidad de refrigerante" de la unidad exterior.

<Carga adicional>

### Cálculo de la carga de refrigerante

Tamaño de la tubería Tubería de líquido $\varnothing 6,35$	Tamaño de la tubería Tubería de líquido $\varnothing 9,52$	Capacidad total de las unidades interiores conectadas	Cantidad de unidades interiores
(m) $\times 0,027$ (kg/m) 0,29 (oz/ft)	(m) $\times 0,07$ (kg/m) 0,75 (oz/ft)	-42	2,0 kg (71 oz)
		43-60	2,5 kg (88 oz)
		61-78	3,0 kg (106 oz)

### Cálculo de la carga adicional de refrigerante

- Calcule la carga adicional utilizando el tamaño de la tubería de líquido y la longitud de la tubería extendida.
- Calcule la carga adicional de refrigerante siguiendo el procedimiento que se muestra a la derecha, y cargue el refrigerante adicional.
- Para cantidades inferiores a 0,1 kg, redondee hacia arriba la cantidad de refrigerante adicional calculada. (Por ejemplo, si la carga calculada es 32,92 kg, redondee la carga a 33,0 kg).

### Cantidad de refrigerante incluido cuando se envía de fábrica

Número de modelo de la unidad exterior	Cantidad de refrigerante incluido
P60	5,1 kg (11 lbs, 4 oz)

### Ejemplo de cálculo (Consulte la mitad inferior de la Fig. 4-1).

Modelo exterior: P60

- 1: A: P24  $\varnothing 9,52$  [3/8"]/ $\varnothing 19,05$  [3/4"] 30 m [98 ft]    a:  $\varnothing 9,52$  [3/8"]/ $\varnothing 15,88$  [5/8"] 15 m [49 ft]  
 2: P15    b:  $\varnothing 6,35$  [1/4"]/ $\varnothing 12,7$  [1/2"] 15 m [49 ft]  
 3: P08    c:  $\varnothing 6,35$  [1/4"]/ $\varnothing 12,7$  [1/2"] 15 m [49 ft]  
 4: P06    d:  $\varnothing 6,35$  [1/4"]/ $\varnothing 12,7$  [1/2"] 20 m [66 ft]
- } Para estas longitudes de tubería

La longitud total de cada tamaño de tubería es la siguiente:

$\varnothing 9,52$  [3/8"]/ $\varnothing 19,05$  [3/4"]: A = 30 m [98 ft]

$\varnothing 9,52$  [3/8"]/ $\varnothing 15,88$  [5/8"]: a = 15 m [49 ft]

$\varnothing 6,35$  [1/4"]/ $\varnothing 12,7$  [1/2"]: b + c + d = 10 m + 10 m + 20 m = 40 m [33 ft + 33 ft + 66 ft = 132 ft]

Por lo tanto, la carga adicional es la siguiente:

=  $30 \times 0,07 + 15 \times 0,07 + 40 \times 0,027 + 2,5 [98 \times 0,75 + 49 \times 0,75 + 132 \times 0,29 + 88]$

= 6,8 kg [237 oz]

## 5. Tubería de drenaje

### Conexión de la tubería de drenaje con la unidad exterior

Cuando sea necesario drenar la tubería, use la toma de drenaje o la batería de drenaje (opcional).

	P60
Toma de drenaje	PAC-SG61DS-E
Batería de drenaje	PAC-SH97DP-E

## 6. Trabajo eléctrico

### 6.1. Cuidado

- ① Siga las ordenanzas gubernamentales en cuanto a normas técnicas relacionadas con el equipo eléctrico, las regulaciones sobre cableado y las indicaciones de cada compañía eléctrica.
- ② El cableado para control (a partir de ahora denominado línea de transmisión) debe estar (5 cm [2 inch] o más) aparte del cableado de la fuente de energía de manera que no le afecte el ruido eléctrico del cableado de la fuente de energía. (no intercale la línea de transmisión y el cable de la fuente de energía en el mismo conducto.)
- ③ Asegúrese de dar el trabajo de tierra previsto para la unidad exterior.
- ④ Dé un cierto margen al cableado para la caja eléctrica de las unidades interior y exterior, ya que la caja es retirada a veces cuando se realiza el trabajo de mantenimiento.
- ⑤ No conecte nunca la fuente principal de energía al bloque de terminal de la línea de transmisión. Si está conectado, las piezas eléctricas se quemarán.
- ⑥ Use cable blindado de dos almas para la línea de transmisión. Si las líneas de transmisión de sistemas diferentes están conectados con los mismos cables de varias almas, la pobre transmisión y recepción resultante dará lugar a funciones erróneas.
- ⑦ Únicamente la línea de transmisión especificada debería ser conectada al bloque de terminal para la transmisión de la unidad exterior. (La línea de transmisión que debe conectarse con la unidad interior: El bloque de terminal TB3 para la línea de transmisión, Otro: El bloque de terminal TB7 para un control centralizado)  
Una conexión errónea no permite que el sistema funcione.
- ⑧ Si se conecta con el controlador de gama alta o se efectúa una manejo en grupo en diferentes sistemas de refrigeración es necesaria la línea de control para la transmisión entre cada una de las unidades exteriores.  
Conecte esta línea de control entre los bloques de terminal para un control centralizado (línea de dos cables sin polaridad).  
Cuando se lleva a cabo un manejo en grupo en diferentes sistemas de refrigeración sin conectar al controlador de gama alta, cambie el inserto del conector de cortocircuito de CN41 de una unidad exterior a CN40.
- ⑨ El grupo se ajusta con el controlador remoto.

## 6. Trabajo eléctrico

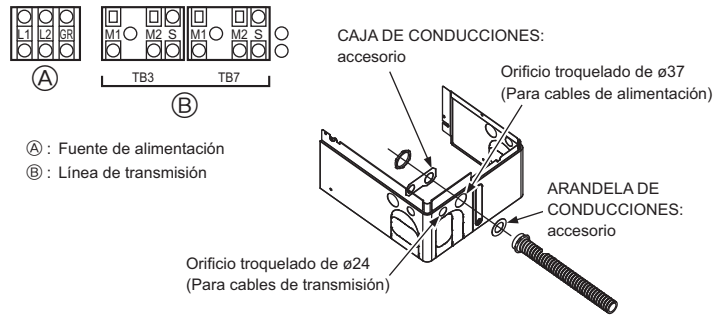


Fig. 6-1

### 6.2. Caja de control y posición de conexión de los cables (Fig. 6-1)

1. Conecte la línea de transmisión de la unidad interior al bloque de terminales de transmisión (TB3) o conecte el cableado entre las unidades exteriores o el del sistema de control central al bloque de terminales del control central (TB7). Al utilizar un cable blindado, conecte la toma de tierra blindada de la línea de transmisión de la unidad interior al tornillo de tierra ( $\perp$ ) y conecte la toma de tierra blindada de la línea entre las unidades exteriores y la línea de transmisión del sistema de control central al terminal blindado (S) del bloque de terminales del control central (TB7). Además, en el caso de las unidades exteriores cuyo conector de alimentación CN41 se ha sustituido por el CN40, el terminal blindado (S) del bloque de terminales (TB7) del sistema de control central también debe conectarse a tierra ( $\perp$ ).
2. Se suministran las cajas de montaje de conducciones ( $\varnothing 37$  [1-29/64 inch] -  $\varnothing 24$  [15/16 inch]). Pase los cables de alimentación y de transmisión por los orificios troquelados, retire la pieza troquelada de la parte inferior de la caja de terminales y conecte los cables.
3. Asegure los cables de alimentación a la caja de terminales utilizando un manguito separador para la fuerza de tracción (conexión PG o similar).

### 6.3. Tendido de cables de transmisión

#### ① Tipos de cables de control

1. Cables de transmisión del cableado
  - Tipos de cables de transmisión: Cable blindado CVVS o CPEVS
  - Diámetro del cable: Más de 1,25 mm<sup>2</sup> [AWG16]
  - Longitud máxima del cable: Entre unos 200 m [656 ft]

#### 2. Cables del controlador remoto M-ENT

Tipo de cable del controlador remoto	Cable blindado MVVS
Diámetro del cable	0,5 a 1,25 mm <sup>2</sup> [AWG20 a AWG16]
Observaciones	Cuando pase de 10 m [32 ft], utilice un cable con las mismas características que el de la línea de transmisión

#### 3. Cables del controlador remoto MA

Tipo de cable del controlador remoto	Cable bipolar (no blindado)
Diámetro del cable	0,3 a 1,25 mm <sup>2</sup> [AWG22 a AWG16]

#### ② Ejemplos de cables

- Nombre de los controladores, símbolo y número de controladores conectables.

Nombre	Símbolo	Número de controladores permitido
Controlador de la unidad exterior	OC	
Controlador de la unidad interior	IC	De 1 a 12 controladores para 1 OC
Controlador remoto	RC (M-NET)	Un máximo de 12 controladores para 1 OC
	MA	Un máximo de 2 por grupo

### Ejemplo de un sistema de funcionamiento en tierra con varias unidades exteriores (Se requiere cable blindado y ajustes de dirección.)

<Ejemplo de tendido de cables de transmisión>

#### ■ Controlador remoto M-NET (Fig. 6-2)

#### ■ Controlador remoto MA (Fig. 6-3)

<Método de tendido de cables y ajustes de dirección>

- a. Asegúrese de usar cables blindados para efectuar la conexión entre la unidad exterior (OC) y la unidad interior (IC), entre OC y OC y entre IC y IC.
- b. Emplee cables de alimentación para conectar los terminales M1 y M2 y el terminal de tierra del bloque de terminal del cable de transmisión (TB3) de cada unidad exterior (OC) a los terminales M1, M2 y S del bloque del cable de transmisión de la unidad interior (IC).
- c. Conecte los terminales 1 (M1) y 2 (M2) del bloque de terminal del cable de transmisión de la unidad interior (IC) cuya dirección es la más reciente del mismo grupo, al bloque de terminal del controlador remoto (RC).
- d. Conecte los terminales M1, M2 y S de los bloques de terminal (TB7) para un control centralizado en ambas unidades exteriores (OC).
- e. El conector del puente CN41 del panel de control no cambia.
- f. Conecte el terminal S del bloque de terminal para un control centralizado de la unidad del conector de alimentación al tornillo de tierra ( $\perp$ ) en la caja del panel eléctrico.
- g. Active el interruptor de ajuste de la dirección tal como se muestra más abajo.

Unidad	Campo	Cómo realizar los ajustes
IC (máster)	de 01 a 50	Ajuste la dirección más reciente del mismo grupo de unidades interiores (IC)
IC (subordinada)	de 01 a 50	Ajuste la dirección en el mismo grupo de unidades interiores (IC) que no sea el de IC (máster). IC (máster) debe ser secuencial
Unidad exterior	de 51 a 100	Ajuste la dirección más reciente de las unidades interiores en el mismo sistema de refrigeración + 50 * La dirección se establece automáticamente en "100" si se configura como "01-50".
M-NET R/C (máster)	de 101 a 150	Ajuste la dirección IC (máster) + 100
M-NET R/C (subordinada)	de 151 a 200	Ajuste la dirección IC (máster) + 150
MA R/C	-	Configuración de dirección innecesaria (Imprescindible el ajuste en principal/subordinado)

- h. Ajuste diferentes unidades exteriores como un grupo del controlador remoto (RC) después de dar la corriente. Para más información, véase el manual de instalación del controlador remoto.

<Longitud permitida>

#### ① Controlador remoto M-NET

- Longitud mayor a través de las unidades exteriores:  $L_1+L_2+L_3+L_4$  y  $L_1+L_2+L_3+L_5$  y  $L_1+L_2+L_6+L_7 \leq 500$  m [1640 ft] (1,25 mm<sup>2</sup> [AWG16] o superior)
- Longitud mayor del cable de transmisión:  $L_1$  y  $L_3+L_4$  y  $L_3+L_5$  y  $L_6$  y  $L_2+L_6$  y  $L_7 \leq 200$  m [656 ft] (1,25 mm<sup>2</sup> [AWG16] o superior)
- Longitud del cable de controlador remoto:  $l_1$ ,  $l_2$ ,  $l_2+l_3$ ,  $l_4 \leq 10$  m [33 ft] (0,5 a 1,25 mm<sup>2</sup> [AWG20 a AWG16])  
Si la longitud es superior a 10 m [33 ft], use un cable blindado de 1,25 mm<sup>2</sup> [AWG16]. La longitud de esta sección ( $L_8$ ) debería incluirse en longitud máxima de cálculo y la longitud total.

#### ② Controlador remoto MA

- Longitud mayor a través de las unidades exteriores (Cable M-NET):  $L_1+L_2+L_3+L_4$  y  $L_1+L_2+L_6+L_7 \leq 500$  m [1640 ft] (1,25 mm<sup>2</sup> [AWG16] o superior)
- Longitud mayor del cable de transmisión (Cable M-NET):  $L_1$  y  $L_3+L_4$  y  $L_6$  y  $L_2+L_6$  y  $L_7 \leq 200$  m [656 ft] (1,25 mm<sup>2</sup> [AWG16] o superior)
- Longitud del cable de controlador remoto:  $m_1$  y  $m_1+m_2+m_3$  y  $m_1+m_2+m_3+m_4 \leq 200$  m [656 ft] (0,3 a 1,25 mm<sup>2</sup> [AWG20 a AWG16])

## 6. Trabajo eléctrico

### ■ Controlador remoto M-NET

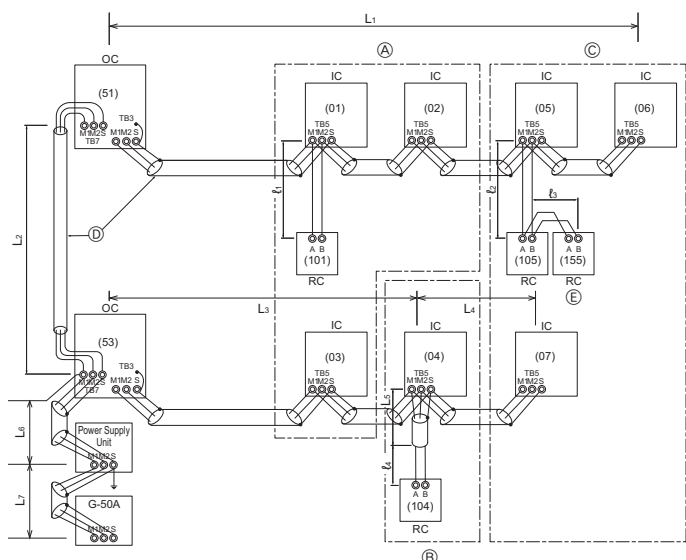


Fig. 6-2

- (A) : Grupo 1  
 (B) : Grupo 3  
 (C) : Grupo 5  
 (D) : Cable blindado  
 (E) : Controlador remoto subordinado  
 ( ) : Dirección

### ■ Controlador remoto MA

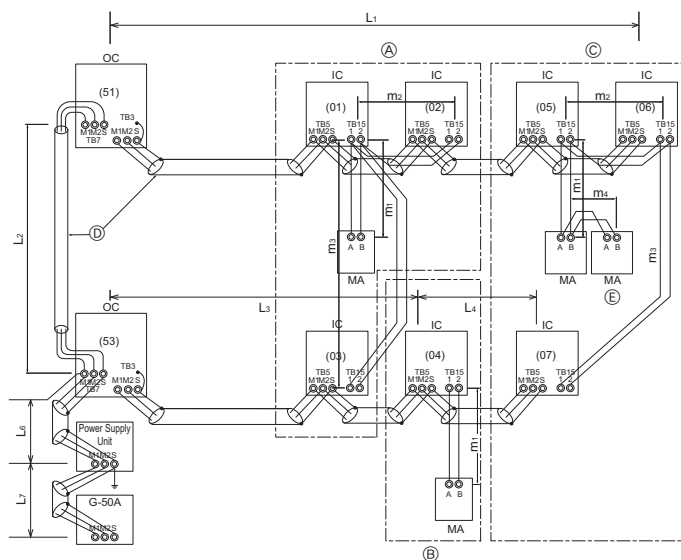
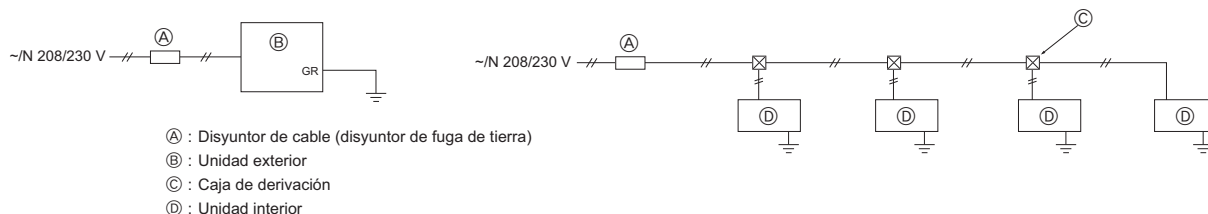


Fig. 6-3

## 6.4. Cableado del suministro principal de energía y capacidad del equipo

Dibujo esquemático del cableado (ejemplo) (Fig. 6-4)



- (A) : Disyuntor de cable (disyuntor de fuga de tierra)  
 (B) : Unidad exterior  
 (C) : Caja de derivación  
 (D) : Unidad interior

Fig. 6-4

### Grosor del cable para el suministro principal de energía y capacidades on/off

Modelo	Fuente de alimentación	Grosor mínimo del cable (mm <sup>2</sup> [AWG])		Disyuntor para cableado*1	Disyuntor para fuga de corriente	Ampacidad mínima del circuito	Límite superior del dispositivo protector de sobrecarga
		Cable principal*2	Toma de tierra				
Unidad exterior	P60 ~N (Monofásicos), 60 Hz, 208/230 V	8,4 [AWG8]	8,4 [AWG8]	40 A	40 A 30 mA 0,1 segundos o menos	25 A	42 A
Unidad interior	~N (Monofásicos), 60 Hz, 208/230 V	Consulte el manual de instalación de la unidad interior.					

\*1. Utilice un disyuntor automático sin fusible (NF) o disyuntor automático de fugas a tierra (NV) con una separación mínima de contacto de 3,0 mm [1/8 inch] en cada uno de los polos.

\*2. Utilice cables de alimentación de cobre. Utilice cables eléctricos con una tensión nominal de 300 V.

- Utilice una fuente de alimentación principal diferente para la unidad exterior y unidad interior.
- Tenga en cuenta las condiciones ambientales (temperatura ambiente, luz solar directa, lluvia, etc.) cuando realice el tendido de cables y las conexiones.
- El tamaño del cable corresponde al valor mínimo para cables de conductos de metal. El cable de alimentación principal debe tener un tamaño más grande teniendo en cuenta las caídas de tensión. Asegúrese que la tensión de la alimentación principal no baje más del 10%.
- Los requisitos específicos sobre el cableado deben adaptarse a las reglamentaciones locales.
- Los cables de alimentación principal de los componentes de aparatos destinados al uso en la intemperie no deben ser más livianos que el cable flexible con revestimiento de policloropreno (diseño 60245 IEC57). Por ejemplo, utilice cables del tipo YZW.
- Instale un cable de toma de tierra más largo que el resto de los cables.

#### ⚠ Atención:

- Asegúrese de usar los cables especificados para realizar las conexiones de manera que actúa ninguna fuerza externa sobre las conexiones del terminal. Si las conexiones no están bien fijadas, se corre el riesgo de que se produzca calentamiento o un incendio.
- Asegúrese de escoger un interruptor de protección de sobrecarga adecuado. No olvide que la sobrecorriente generada puede contener pequeñas cantidades de corriente directa.

#### ⚠ Precaución:

- Algunas instalaciones están hechas en sitios que requieren un disyuntor de fuga de tierra. Si no se instala un disyuntor de fuga de tierra, puede producirse un electroshock.
- Use los fusibles y el disyuntor con la capacidad correcta. Si emplea un fusible o cable con demasiada capacidad puede haber una disfunción de la unidad o incluso puede producirse un incendio.

#### IMPORTANTE

Asegúrese de que el disyuntor de corriente es compatible con corrientes armónicas más altas. Utilice siempre un disyuntor de corriente compatible con corrientes armónicas más altas ya que esta unidad está equipada con un conmutador. El uso de un disyuntor inadecuado puede hacer que el conmutador no funcione correctamente.

No empalme nunca el cable de corriente o el cable de la conexión interior-exterior, de lo contrario se podrían provocar humo, un incendio o un fallo en la comunicación.

## 7. Prueba de funcionamiento

### 7.1. Antes de realizar las pruebas

- ▶ Después de la instalación de tubos y cables en las unidades interior y exterior, compruebe que no haya escapes de refrigerante, que no se haya aflojado ni la fuente de alimentación ni el cableado de control, que la polaridad no sea errónea y que no se haya desconectado ninguna fase de la alimentación.
- ▶ Utilice un probador megaohmímetro de 500 voltios para comprobar que la resistencia entre los terminales de alimentación y la tierra es como mínimo de 1 MΩ.
- ▶ No efectúe esta prueba en los bornes de los cables de control (circuito de bajo voltaje).

#### ⚠ Atención:

No utilice el aire acondicionado si la resistencia de aislamiento es inferior a 1 MΩ.

#### Resistencia del aislamiento

Después de la instalación, o después de un prolongado período de desconexión del aparato, la resistencia del aislamiento será inferior a 1 MΩ debido a la acumulación de refrigerante en el compresor. Esto no es una avería. Siga los siguientes pasos:

1. Retire los cables del compresor y mida la resistencia del aislamiento del compresor.
2. Si la resistencia del aislamiento es menor de 1 MΩ, el compresor está dañado o la resistencia ha descendido por la acumulación de refrigerante en el compresor.

3. Después de conectar los cables al compresor, éste empezará a calentarse después de volver a restablecerse el suministro de corriente. Después de restablecer la corriente según los intervalos que se detallan a continuación, vuelva a medir la resistencia del aislamiento.

- La resistencia del aislamiento se reduce debido a la acumulación de refrigerante en el compresor. La resistencia volverá a subir por encima de 1 MΩ después de que el compresor haya funcionado durante 4 horas.  
(El tiempo requerido para calentar el compresor varía según las condiciones atmosféricas y la acumulación de refrigerante.)
- Para hacer funcionar un compresor con refrigerante acumulado, se debe calentar durante al menos 12 horas para evitar que se averíe.

4. Si la resistencia del aislamiento es superior a 1 MΩ, el compresor no está averiado.

#### ⚠ Precaución:

- El compresor no funcionará a menos que la conexión de fase de la fuente de alimentación sea correcta.
- Conecte la corriente al menos 12 horas antes de que empiece a funcionar el equipo.

- Si se acciona inmediatamente después de haberlo conectado a la corriente, pueden producirse daños graves en las piezas internas. Mantenga la unidad conectada a la corriente durante la temporada de funcionamiento.

#### ▶ También debe comprobar lo siguiente.

- La unidad exterior no está averiada. El indicador LED en el cuadro de control de la unidad exterior parpadea cuando esta está averiada.
- Tanto las válvulas de gas como las de líquido están completamente abiertas.

### 7.2. Prueba de funcionamiento

#### 7.2.1. Uso del control remoto

Consulte el manual de instalación de la unidad interior.

- Asegúrese de realizar la prueba de funcionamiento en cada unidad interior. Asegúrese de que cada unidad interior funciona correctamente siguiendo el manual de instalación que se entrega con la unidad.
- Si realiza la prueba de funcionamiento en todas las unidades interiores a la vez, no podrá detectar si existe alguna conexión errónea en los tubos del refrigerante y en los cables de conexión.
- \* El compresor no funciona durante tres minutos como mínimo después del encendido del interruptor.
- Puede que el compresor emita un ruido cuando se enciende el interruptor o en caso de que la temperatura externa del aire sea baja.

#### Acerca del mecanismo de protección de la puesta en marcha

Cuando se para el compresor, se desencadena el dispositivo preventivo de puesta en marcha para que el compresor permanezca inactivo durante 3 minutos como medida de protección del aparato.

#### 7.2.2. Al usar SW3 en la unidad exterior

##### Notas:

En caso de realizar la prueba de funcionamiento desde la unidad exterior, todas las unidades interiores se ponen en funcionamiento. Por consiguiente, no podrá detectar si existe alguna conexión errónea en los tubos del refrigerante y en los cables de conexión. Si lo que desea es comprobar que no exista una conexión errónea, asegúrese de efectuar la prueba de funcionamiento desde el control remoto; para ello, consulte la sección "7.2.1. Uso del control remoto".

SW3-1	ON	Funcionamiento del enfriamiento
SW3-2	OFF	
SW3-1	ON	Funcionamiento del de la calefacción
SW3-2	ON	

- \* Después de la realización de las pruebas, ponga SW3-1 en OFF.

• A los pocos segundos de funcionar el compresor, se puede oír un pequeño sonido metálico del interior de la unidad exterior. El sonido lo produce la válvula de retención por la pequeña diferencia de presión de las tuberías. La unidad no está averiada.

El modo de prueba de funcionamiento no se puede cambiar por el conmutador DIP SW3-2 durante la prueba. (Para cambiar el modo de prueba de funcionamiento durante la prueba, pare la prueba con el conmutador DIP SW3-1. Después de cambiar el modo de prueba de funcionamiento, reanude la prueba con el conmutador SW3-1.)

### 7.3. Recuperación de refrigerante (vaciado)

Antes de extraer los acondicionadores de aire para transportar a otro emplazamiento, cierre la válvula de parada (para los tubos de líquido y gas) situada en la unidad exterior y después extraiga las unidades interior y exterior. En ese momento se descargará el refrigerante de la unidad interior. Para minimizar la descarga del refrigerante es necesario un vaciado. Este mecanismo recoge el refrigerante que haya en el interior del aire acondicionado y lo envía a un termostato situado en la unidad exterior.

#### Procedimiento de vaciado

- ① Haga funcionar todas las unidades interiores en el modo de enfriamiento y compruebe que el modo de funcionamiento cambia a "COOL" (ajuste la unidad de modo que el modo de funcionamiento en enfriamiento se active durante el vaciado (cuando se pulsa el botón TEST RUN)).
- ② Conecte la válvula distribuidora del medidor (con medidor de presión) a la válvula de parada del tubo de gas para permitir la medición de la presión del refrigerante.
- ③ Tras poner el conmutador de servicio exterior SW3-2 en posición OFF, ponga el conmutador SW3-1 en posición ON. (La unidad se encenderá en modo de refrigeración.)
- ④ Después de hacer funcionar el modo de enfriamiento durante cinco minutos aproximadamente, cambie el conmutador de servicio SW2-4 (conmutador de vaciado) de OFF a ON.
- ⑤ Cierre la válvula de parada del tubo de líquido, manteniendo todavía el modo de enfriamiento en ON. (Comenzará el vaciado.)
- ⑥ Cuando el indicador de presión alcance de 0 a 0,1 MPa [14,5 PSIG] o cuando hayan pasado aprox. 5 minutos tras el comienzo de la operación de vaciado, cierre completamente la válvula de la tubería de gas y pare inmediatamente el aire acondicionado poniendo el conmutador SW3-1 en posición OFF.
- ⑦ Ponga el conmutador de servicio exterior SW2-4 de ON a OFF.
- ⑧ Extraiga la válvula distribuidora del medidor y vuelva a colocar el tapón a cada válvula de parada.

#### Notas:

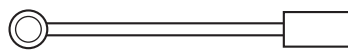
- ① Nunca realice el vaciado si la cantidad de refrigerante del interior de la unidad interior es superior a la cantidad de refrigerante no cargado. Si realiza este procedimiento cuando la cantidad de refrigerante es superior a la cantidad de refrigerante sin cargar, se producirá un aumento excesivo de la presión y podría provocar un accidente.
- ② No continúe con el funcionamiento durante más tiempo con el interruptor SW2-4 en la posición ON. Asegúrese de colocarlo en la posición OFF después de haber finalizado el vaciado.
- ③ Lleve a cabo una prueba de funcionamiento cuando el conmutador de prueba de funcionamiento SW3-1 esté en posición ON. El conmutador SW3-2 se utiliza para seleccionar el modo de funcionamiento. (ON: Calefacción, OFF: Refrigeración)
- ④ El tiempo necesario para realizar el vaciado es de tres a cinco minutos después de haber cerrado la válvula de parada del tubo de gas (dependiendo de la temperatura ambiente y de la cantidad de refrigerante que haya dentro de la unidad interior).
- ⑤ Asegúrese de que el medidor de la presión no baje de 0 MPa [0 PSIG]. Si baja de 0 MPa [0 PSIG] (es decir, se crea vacío), el aire pasará al interior de la unidad si existiera alguna conexión floja.
- ⑥ Inclusive si el medidor de presión no baja de 0 MPa [0 PSIG], detenga siempre el funcionamiento de vaciado a los cinco minutos aproximadamente después de cerrar completamente la válvula de parada del tubo de líquido.

# Index

1. Consignes de sécurité.....	22	5. Mise en place du tuyau d'écoulement.....	28
2. Emplacement d'installation.....	23	6. Installations électriques.....	28
3. Installation de l'appareil extérieur.....	25	7. Marche d'essai.....	31
4. Installation de la tuyauterie du réfrigérant.....	25		

## Vérification des pièces livrées

Outre le présent manuel, les éléments suivants sont livrés avec l'appareil extérieur. Ils servent à mettre à la terre les bornes S des blocs de sortie de transmission TB3, TB7. Pour plus de détails à ce sujet, voir "6. Installations électriques".



Fil de terre (× 2)

## 1. Consignes de sécurité

- ▶ Avant d'installer le climatiseur, lire attentivement toutes les "Consignes de sécurité".
- ▶ Veuillez consulter ou obtenir la permission votre compagnie d'électricité avant de connecter votre système.

**⚠ Avertissement:**  
Précisions à suivre pour éviter tout danger de blessure ou de décès de l'utilisateur.

**⚠ Précaution:**  
Décrit les précautions qui doivent être prises pour éviter d'endommager l'appareil.

- ⚠ Avertissement:**
  - L'appareil ne doit pas être installé par l'utilisateur. Contacter un revendeur ou un technicien agréé pour installer l'appareil. Si l'appareil n'est pas correctement installé, des fuites d'eau, des chocs électriques ou des incendies peuvent se produire.
  - Pour l'installation, respecter les instructions du manuel d'installation et utiliser des outils et des composants de tuyau spécialement conçus pour une utilisation avec le réfrigérant R410A. La pression du réfrigérant R410A du système HFC est 1,6 fois supérieure à celle des réfrigérants traditionnels. Si des composants de tuyau non adaptés au réfrigérant R410A sont utilisés et si l'appareil n'est pas correctement installé, les tuyaux peuvent éclater et provoquer des dommages ou des blessures. Des fuites d'eau, des chocs électriques et des incendies peuvent également se produire.
  - L'appareil doit être installé conformément aux instructions pour réduire les risques de dommages liés à des tremblements de terre, des typhons ou des vents violents. Une installation incorrecte peut entraîner la chute de l'appareil et provoquer des dommages ou des blessures.
  - L'appareil doit être solidement installé sur une structure pouvant supporter son poids. Si l'appareil est fixé sur une structure instable, il risque de tomber et de provoquer des dommages ou des blessures.
  - Si le climatiseur est installé dans une petite pièce, certaines mesures doivent être prises pour éviter que la concentration de réfrigérant ne dépasse le seuil de sécurité en cas de fuite. Consulter un revendeur pour obtenir les mesures adéquates et ainsi éviter de dépasser la concentration autorisée. En cas de fuite de réfrigérant et de dépassement du seuil de concentration, des risques liés au manque d'oxygène dans la pièce peuvent survenir.
  - Aérer la pièce en cas de fuite de réfrigérant lors de l'utilisation. Le contact du réfrigérant avec une flamme peut provoquer des émanations de gaz toxiques.
  - Toutes les installations électriques doivent être effectuées par un technicien qualifié conformément aux réglementations locales et aux instructions fournies dans ce manuel. Les appareils doivent être alimentés par des lignes électriques adaptées. Utiliser la tension correcte et des coupe-circuits. Des lignes électriques de capacité insuffisante ou des installations électriques incorrectes peuvent provoquer un choc électrique ou un incendie.
  - Utiliser le cuivre phosphoreux C1220, pour des tuyaux sans soudure en cuivre et en alliage de cuivre, pour raccorder les tuyaux de réfrigérant. Si les tuyaux ne sont

Une fois l'installation terminée, expliquer les "Consignes de sécurité", l'utilisation et l'entretien de l'appareil au client conformément aux informations du mode d'emploi et effectuer l'essai de fonctionnement en continu pour garantir un fonctionnement normal. Le manuel d'installation et le mode d'emploi doivent être fournis à l'utilisateur qui doit les conserver. Ces manuels doivent également être transmis aux nouveaux utilisateurs.

**⚠ :** Indique un élément qui doit être mis à la terre.

**⚠ Avertissement:**  
Prendre soin de lire les étiquettes se trouvant sur l'appareil principal.

- pas correctement raccordés, la mise à la terre de l'appareil ne sera pas conforme et des chocs électriques peuvent se produire.
- N'utiliser que les câbles spécifiés pour les raccordements. Les raccordements doivent être réalisés correctement sans tension sur les bornes. Ne jamais effectuer de jonction sur les câbles (sauf en cas d'indications contraires). Le non respect de cette consigne peut entraîner une surchauffe ou un incendie.
- Le couvercle du bloc de sortie de l'appareil extérieur doit être solidement fixé. S'il n'est pas correctement installé et si des poussières et de l'humidité s'infiltrent dans l'appareil, un choc électrique ou un incendie peut se produire.
- Lors de l'installation, du déplacement ou de l'entretien du climatiseur, n'utilisez que le réfrigérant spécifié (R410A) pour remplir les tuyaux de réfrigérant. Ne pas le mélanger avec un autre réfrigérant et faire le vide d'air dans les tuyaux. Si du réfrigérant est mélangé avec de l'air, cela peut provoquer des pointes de pression dans les tuyaux de réfrigérant et entraîner une explosion et d'autres risques.
- L'utilisation d'un réfrigérant différent de celui spécifié pour le climatiseur peut entraîner des défaillances mécaniques, des dysfonctionnements du système ou une panne de l'appareil. Dans le pire des cas, cela peut entraîner un obstacle à la mise en sécurité du produit.
- N'utiliser que les accessoires agréés par Mitsubishi Electric et contacter un revendeur ou un technicien agréé pour les installer. Si les accessoires ne sont pas correctement installés, une fuite d'eau, un choc électrique ou un incendie peut se produire.
- Ne pas changer l'appareil. Consulter un revendeur en cas de réparations. Si les modifications ou réparations ne sont pas correctement effectuées, une fuite d'eau, un choc électrique ou un incendie peut se produire.
- L'utilisateur ne doit jamais essayer de réparer ou de déplacer l'appareil. Si l'appareil n'est pas correctement installé, des fuites d'eau, des chocs électriques ou des incendies peuvent se produire. Si le climatiseur doit être réparé ou déplacé, contacter un revendeur ou un technicien agréé.
- Une fois l'installation terminée, vérifier les éventuelles fuites de réfrigérant. Si le réfrigérant fuit dans la pièce et entre en contact avec la flamme d'un chauffage ou d'une cuisinière, des gaz toxiques peuvent se dégager.

### 1.1. Avant l'installation

- ⚠ Précaution:**
  - Ne pas utiliser l'appareil dans un environnement inhabituel. Si le climatiseur est installé dans des endroits exposés à la vapeur, à l'huile volatile (notamment l'huile de machine), au gaz sulfurique, à une forte teneur en sel, par exemple, à la mer, ou dans des endroits où l'appareil sera recouvert de neige, les performances peuvent considérablement diminuer et les pièces internes de l'appareil être endommagées.
  - Ne pas installer l'appareil dans des endroits où des gaz de combustion peuvent s'échapper, se dégager ou s'accumuler. L'accumulation de gaz de combustion autour de l'appareil peut provoquer un incendie ou une explosion.

- L'appareil extérieur produit de la condensation lors du fonctionnement du chauffage. Prévoir un système de drainage autour de l'appareil extérieur au cas où la condensation provoquerait des dommages.
- Lors de l'installation de l'appareil dans un hôpital ou un centre de communications, se préparer au bruit et aux interférences électroniques. Les inverseurs, les appareils électroménagers, les équipements médicaux haute fréquence et de communications radio peuvent provoquer un dysfonctionnement ou une défaillance du climatiseur. Le climatiseur peut également endommager les équipements médicaux et de communications, perturbant ainsi les soins et réduisant la qualité d'affichage des écrans.

### 1.2. Avant l'installation (déplacement)

- ⚠ Précaution:**
  - Transporter les appareils avec précaution. L'appareil doit être transporté par deux personnes ou plus, car il pèse 20 kg [44 lbs] minimum. Ne pas tirer les rubans d'emballage. Se munir de gants pour ôter l'appareil de son emballage et le déplacer au risque de se blesser les mains sur les ailettes ou d'autres pièces.
  - Veiller à éliminer le matériel d'emballage en toute sécurité. Le matériel d'emballage (clous et autres pièces en métal ou en bois) peut provoquer des blessures.
  - La base et les fixations de l'appareil extérieur doivent être vérifiées régulièrement

- pour éviter qu'elles ne se desserrent, se fissurent ou subissent d'autres dommages. Si ces défauts ne sont pas corrigés, l'appareil peut tomber et provoquer des dommages ou des blessures.
- Ne pas nettoyer le climatiseur à l'eau au risque de provoquer un choc électrique.
- Serrer les écrous évasés, conformément aux spécifications, à l'aide d'une clé dynamométrique. Si les écrous sont trop serrés, ils peuvent se casser après un certain temps et provoquer une fuite de réfrigérant.

# 1. Consignes de sécurité

## 1.3. Avant l'installation électrique

### ⚠ Précaution:

- Veiller à installer des coupe-circuits. Dans le cas contraire, un choc électrique peut se produire.
- Pour les lignes électriques, utiliser des câbles standard de capacité suffisante. Dans le cas contraire, un court-circuit, une surchauffe ou un incendie peut se produire.
- Lors de l'installation des lignes électriques, ne pas mettre les câbles sous tension. Si les connexions sont desserrées, les câbles peuvent se rompre et provoquer une surchauffe ou un incendie.
- Veiller à mettre l'appareil à la terre. Ne pas relier le fil de terre aux conduites de gaz ou d'eau, aux paratonnerres ou aux lignes de terre téléphoniques. Une mise à la terre incorrecte de l'appareil peut provoquer un choc électrique.
- Utiliser des coupe-circuits (disjoncteur de fuite à la terre, interrupteur d'isolement (fusible +B) et disjoncteur à boîtier moulé) à la capacité spécifiée. Si la capacité du coupe-circuit est supérieure à celle spécifiée, une défaillance ou un incendie peut se produire.

## 1.4. Avant la marche d'essai

### ⚠ Précaution:

- Activer l'interrupteur principal au moins 12 heures avant la mise en fonctionnement de l'appareil. L'utilisation de l'appareil juste après sa mise sous tension peut endommager sérieusement les pièces internes. Laisser l'interrupteur activé pendant la période d'utilisation.
- Avant d'utiliser l'appareil, vérifier que tous les panneaux, toutes les protections et les autres pièces de sécurité sont correctement installés. Les pièces tournantes, chaudes ou à haute tension peuvent provoquer des blessures.
- Ne pas toucher les interrupteurs les mains humides au risque de provoquer un choc électrique.
- Ne pas toucher les tuyaux de réfrigérant les mains nues lors de l'utilisation. Les tuyaux de réfrigérant sont chauds ou froids en fonction de l'état du réfrigérant qu'ils contiennent. Toucher les tuyaux peut provoquer des brûlures ou des gelures.
- A la fin de l'utilisation de l'appareil, attendre au moins cinq minutes avant de désactiver l'interrupteur principal. Dans le cas contraire, une fuite d'eau ou une défaillance peut se produire.

## 1.5. Utilisation de climatiseurs utilisant le réfrigérant R410A

### ⚠ Précaution:

- Utiliser le cuivre phosphoreux C1220, pour des tuyaux sans soudure en cuivre et en alliage de cuivre, pour raccorder les tuyaux de réfrigérant. Vérifier que l'intérieur des tuyaux est propre et dépourvu de tout agent nocif tel que des composés sulfuriques, des oxydants, des débris ou des saletés. Utiliser des tuyaux d'épaisseur spécifiée. (Se reporter à la page 25). Respecter les instructions suivantes en cas de réutilisation de tuyaux de réfrigérant R22 existants.
- Remplacer les écrous évasés existants et évaser de nouveau les sections évasées.
- Ne pas utiliser de tuyaux fins. (Se reporter à la page 25)
- Stocker à l'intérieur les tuyaux à utiliser pendant l'installation et couvrir les deux extrémités jusqu'au processus de brasage. (Laisser les joints de coude, etc. dans leur emballage.) L'infiltration de poussières, de débris ou d'humidité dans les tuyaux de réfrigérant peut affecter la qualité de l'huile ou endommager le compresseur.
- Appliquer une petite quantité d'huile ester, éther ou alkylbenzène comme huile réfrigérante sur les sections évasées. Le mélange d'huile minérale et d'huile réfrigérante peut affecter la qualité de l'huile.
- Ne pas utiliser un réfrigérant autre que le réfrigérant R410A. Si c'est le cas, le chlore peut affecter la qualité de l'huile.
- Utiliser les outils suivants spécialement conçus pour une utilisation avec le réfrigérant R410A. Les outils suivants sont nécessaires pour utiliser le réfrigérant R410A. En cas de questions, contacter le revendeur le plus proche.

Outils (pour R410A)	
Collecteur jauge	Outil d'évasement
Tuyau de charge	Jauge de réglage de la taille
Détecteur de fuite de gaz	Adaptateur pour pompe à vide
Clé dynamométrique	Echelle électronique de charge de réfrigérant

- Veiller à utiliser les outils adaptés. L'infiltration de poussières, de débris ou d'humidité dans les tuyaux de réfrigérant peut affecter la qualité de l'huile réfrigérante.
- Ne pas utiliser un cylindre de charge. L'utilisation d'un cylindre de charge peut modifier la composition du réfrigérant et réduire son efficacité.

## 1.6. Précautions concernant les modèle résistant aux détériorations dues au sel marin (modèle "-BS")

Bien que ce produit (modèle "-BS" uniquement) ait été conçu pour résister aux détériorations dues au sel marin, veiller à respecter les précautions suivantes pour garantir un fonctionnement optimal de l'appareil.

1. Éviter d'installer l'appareil dans un endroit directement exposé aux projections d'eau de mer ou à la brise de mer.
2. Si le panneau de protection de l'appareil se couvre de sel, veiller à installer l'appareil dans un endroit exposé aux chutes de pluie de façon à éliminer le sel. (Si un pare-soleil est installé, la pluie ne pourra pas tomber sur l'appareil et le nettoyer.)
3. Pour éviter que de l'eau s'accumule à la base de l'appareil extérieur, veiller à ce que la base soit de niveau, et non inclinée. Si de l'eau s'accumule à la base de l'appareil extérieur, ce dernier pourrait rouiller.
4. Si l'appareil est installé en bord de mer, le nettoyer régulièrement à l'eau claire pour éliminer toute accumulation de sel.
5. Si l'appareil est endommagé pendant les travaux d'installation ou d'entretien, veiller à le faire réparer.
6. L'état de l'appareil doit être contrôlé à intervalles réguliers.
7. Veiller à installer l'appareil dans un endroit présentant une bonne évacuation.

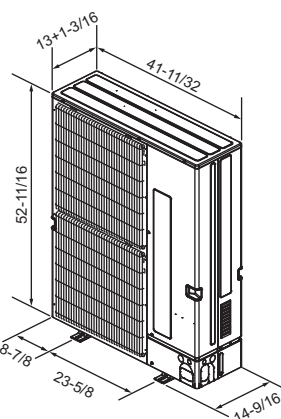
# 2. Emplacement d'installation

## 2.1. Tuyaux de réfrigérant

Se reporter à la Fig. 4-1.

## 2.2. Sélection de l'emplacement d'installation de l'appareil extérieur

- Éviter les endroits exposés au rayonnement solaire direct ou à d'autres sources de chaleur.
- Sélectionner un endroit où le bruit de l'appareil n'incommodera pas le voisinage.
- Sélectionner un endroit permettant un accès facile des câbles et tuyaux à la source d'alimentation et à l'appareil intérieur.
- Éviter les endroits exposés à des risques de fuite, d'échappement ou d'accumulation de gaz.
- Ne pas oublier que des gouttes d'eau peuvent couler de l'appareil lors de son utilisation.
- Sélectionner un endroit de niveau pouvant supporter le poids et les vibrations de l'appareil.
- Éviter les endroits où l'appareil peut être recouvert de neige. Dans les zones où les chutes de neige importantes sont prévisibles, certaines précautions (par ex., relever l'emplacement d'installation ou installer une hotte sur l'arrivée d'air) doivent être prises pour éviter que la neige ne bloque l'arrivée d'air ou ne tombe directement dessus. La circulation de l'air risque de diminuer et d'entraîner un dysfonctionnement.
- Éviter les endroits exposés à l'huile, à la vapeur ou au gaz sulfurique.
- Utiliser les poignées de transport (quatre emplacements à gauche, à droite, à l'avant et à l'arrière) de l'appareil extérieur pour le déplacer. Transporter l'appareil par le bas peut provoquer des pincements aux mains ou aux doigts.



(inch)

Fig. 2-1

## 2.3. Dimensions extérieures (Appareil extérieur) (Fig. 2-1)

### Contraintes concernant l'installation d'un appareil intérieur

Voici les modèles d'appareils intérieurs qu'il est possible de relier à cet appareil extérieur.

- Les appareils intérieurs ayant pour numéro de modèle P06-P72) peuvent être raccordés. Se reporter au tableau ci-après pour connaître les combinaisons possibles de 1 à 12 appareils intérieurs individuels.

### Vérification

La puissance nominale doit être déterminée à l'aide du tableau ci-dessous. Le nombre d'appareils se situe entre 1 et 12. Au cours de la prochaine étape, veillez à ce que la puissance nominale totale sélectionnée varie entre 50% - 130% de la puissance de l'appareil extérieur.

- PUMY-P60 30.000 - 78.000 Btu/h

Type d'appareil intérieur	P06	P08	P12	P15	P18	P24	P30	P36	P48	P54	P72
Capacité nominale (refroidissement) (Btu/h)	6.000	8.000	12.000	15.000	18.000	24.000	30.000	36.000	48.000	54.000	72.000

Dans les combinaisons dans lesquelles la capacité totale des appareils intérieurs est supérieure à la capacité de l'appareil extérieur, la capacité de refroidissement de chaque appareil intérieur sera réduite en dessous de sa capacité de refroidissement nominale. Par conséquent, combiner des appareils intérieurs à un appareil extérieur sans dépasser la capacité de ce dernier, si possible.

## 2. Emplacement d'installation

### 2.4. Ventilation et espace de service

#### 2.4.1. Lors de l'installation d'un seul appareil extérieur

Le dimensions minimales sont les suivantes, à l'exception des valeurs Max., indiquant les dimensions maximales.

Utiliser les chiffres pour chaque cas.

- ① Obstacles uniquement à l'arrière (Fig. 2-2)
- ② Obstacles uniquement à l'arrière et au-dessus (Fig. 2-3)
  - Ne pas utiliser les guidages de sortie d'air en option pour un débit d'air vers le haut.
- ③ Obstacles uniquement à l'arrière et sur les côtés (Fig. 2-4)
- ④ Obstacles uniquement à l'avant (Fig. 2-5)
  - \* Lors de l'utilisation d'un guidage de sortie d'air en option, le jeu est de 500 mm [19-11/16 inch] minimum.
- ⑤ Obstacles uniquement à l'avant et à l'arrière (Fig. 2-6)
  - \* Lors de l'utilisation d'un guidage de sortie d'air en option, le jeu est de 500 mm [19-11/16 inch] minimum.
- ⑥ Obstacles uniquement à l'arrière, sur les côtés et au-dessus (Fig. 2-7)
  - Ne pas utiliser les guidages de sortie d'air en option pour un débit d'air vers le haut.

#### 2.4.2. Lors de l'installation de plusieurs appareils extérieurs

Espacer les appareils de 10 mm [13/32 inch] minimum.

- ① Obstacles uniquement à l'arrière (Fig. 2-8)
- ② Obstacles uniquement à l'arrière et au-dessus (Fig. 2-9)
  - Ne pas installer côte à côte plus de trois appareils. Espacer également les appareils, comme illustré.
  - Ne pas utiliser les guidages de sortie d'air en option pour un débit d'air vers le haut.
- ③ Obstacles uniquement à l'avant (Fig. 2-10)
  - \* Lors de l'utilisation d'un guidage de sortie d'air en option, le jeu est de 1000 mm [39-3/8 inch] minimum.
- ④ Obstacles uniquement à l'avant et à l'arrière (Fig. 2-11)
  - \* Lors de l'utilisation d'un guidage de sortie d'air en option, le jeu est de 1000 mm [39-3/8 inch] minimum.
- ⑤ Disposition pour un seul appareil parallèle (Fig. 2-12)
  - \* Lors de l'utilisation d'un guidage de sortie d'air en option installé pour un débit d'air vers le haut, le jeu est de 1000 mm [39-3/8 inch] minimum.
- ⑥ Disposition pour plusieurs appareils parallèles (Fig. 2-13)
  - \* Lors de l'utilisation d'un guidage de sortie d'air en option installé pour un débit d'air vers le haut, le jeu est de 1500 mm [59-1/16 inch] minimum.
- ⑦ Disposition pour appareils empilés (Fig. 2-14)
  - Il est possible d'empiler jusqu'à deux appareils.
  - Ne pas installer côte à côte plus de deux appareils empilés. Espacer également les appareils, comme illustré.

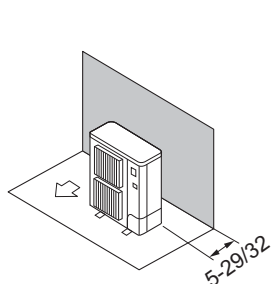


Fig. 2-2

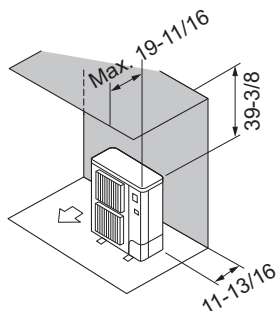


Fig. 2-3

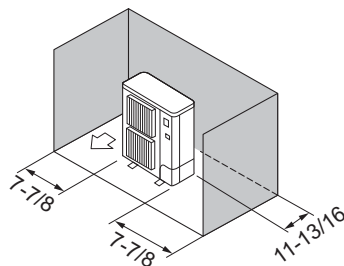


Fig. 2-4

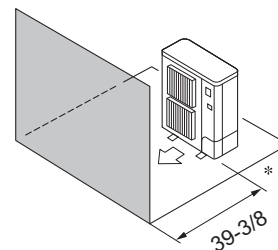


Fig. 2-5

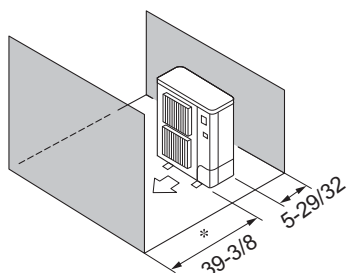


Fig. 2-6

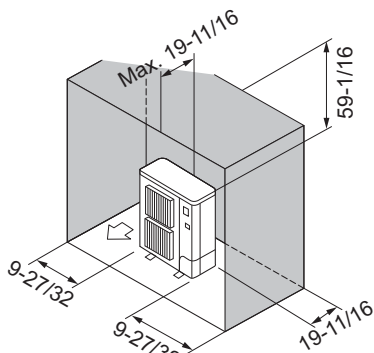


Fig. 2-7

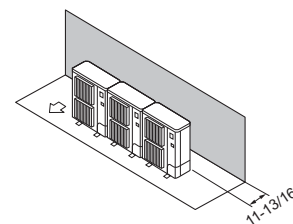


Fig. 2-8

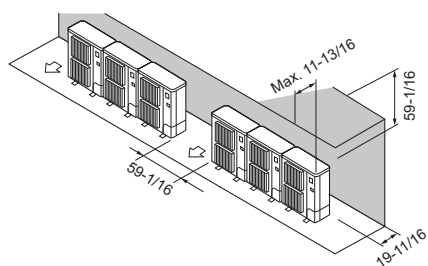


Fig. 2-9

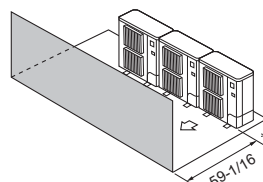


Fig. 2-10

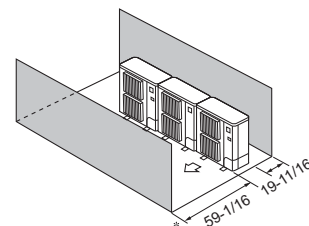


Fig. 2-11

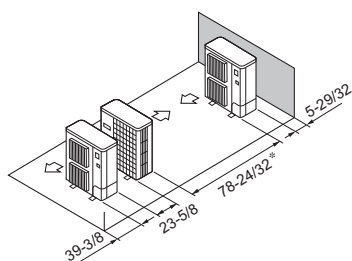


Fig. 2-12

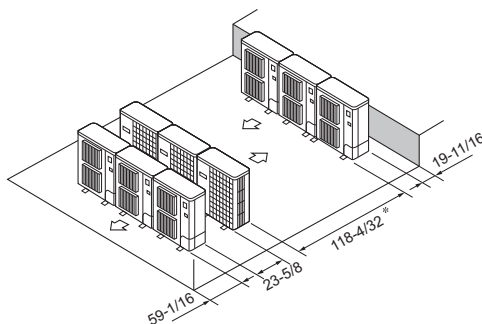


Fig. 2-13

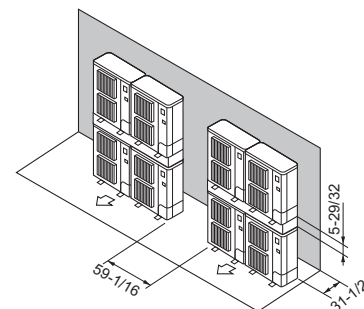


Fig. 2-14

(inch)



## 2. Emplacement d'installation

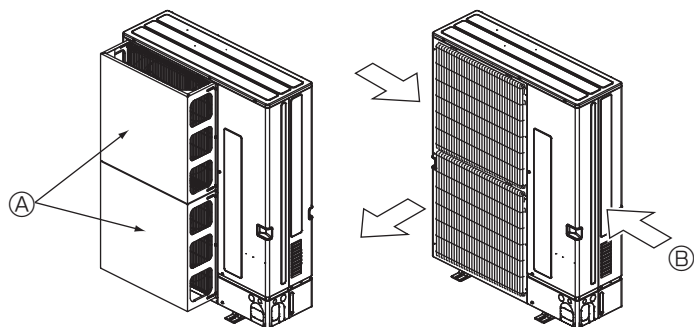


Fig. 2-15

Fig. 2-16

### 2.4.3. Installation à un endroit exposé au vent

Lors de l'installation de l'appareil extérieur sur un toit ou à d'autres endroits non protégés du vent, diriger la sortie d'air de l'appareil vers le côté qui n'est pas directement exposé aux vents forts. Le vent soufflant dans la sortie d'air peut empêcher l'air de circuler normalement et provoquer un dysfonctionnement.

Vous trouverez ci-dessous 2 exemples concernant les précautions à prendre en cas de vent violent.

① Installer un guidage d'air optionnel si l'appareil est placé dans un endroit où les vents violents d'un typhon par exemple pourraient s'engouffrer directement dans la sortie d'air. (Fig. 2-15)

Ⓐ Guidage d'air

② Placer l'appareil de sorte que la sortie d'air souffle dans la direction perpendiculaire à celle des vents saisonniers, si celle-ci est connue. (Fig. 2-16)

Ⓑ Sens du vent

## 3. Installation de l'appareil extérieur

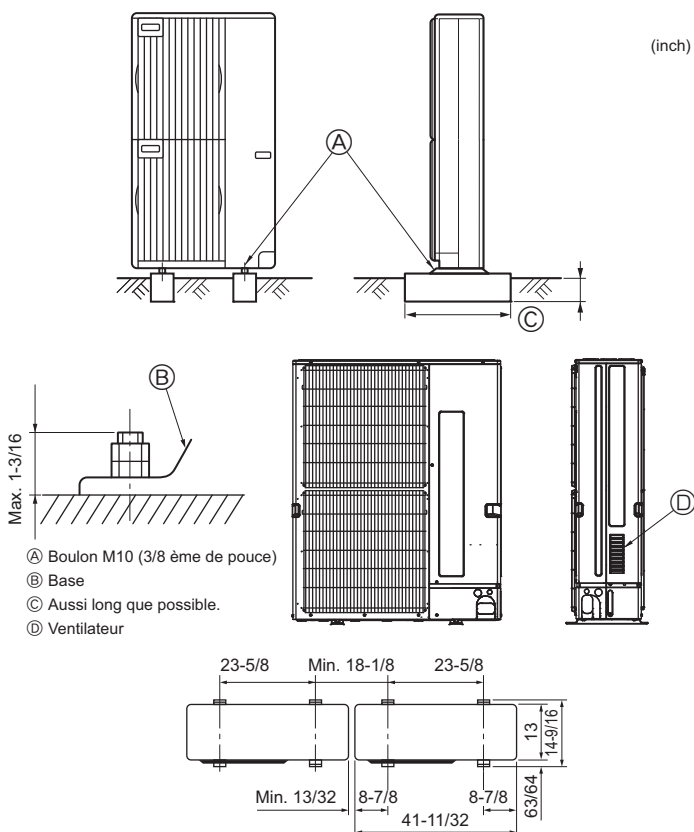


Fig. 3-1

• Bien installer l'appareil sur une surface solide et de niveau, de façon à éviter tout bruit de crécelle pendant le fonctionnement. (Fig. 3-1)

<Spécifications de la fondation>

Boulon de fondation	M10 (3/8 ème de pouce)
Épaisseur de béton	120 mm [4-23/32 inch]
Longueur des boulons	70 mm [2-3/4 inch]
Résistance au poids	320 kg [705 lbs]

• S'assurer que la longueur des boulons de fondation ne dépasse pas 30 mm [1-3/16 inch] par rapport à la surface inférieure de la base.

• Fixer fermement la base de l'appareil avec quatre boulons de fondation M10 placés à des endroits suffisamment robustes.

**Installation de l'appareil extérieur**

• Ne pas bloquer le ventilateur. Si le ventilateur est bloqué, l'appareil sera ralenti et risque d'être endommagé.

• Pour installer l'appareil, utiliser, si nécessaire et en plus de la base de l'appareil, les orifices d'installation situés à l'arrière pour fixer les câbles, etc. Utiliser des vis autotaraudeuses (ø5 × 15 mm [ø13/16 × 19/32 inch] maximum) et installer l'appareil sur site.

**⚠ Avertissement:**

• L'appareil doit être solidement installé sur une structure pouvant supporter son poids. Si l'appareil est fixé sur une structure instable, il risque de tomber et de provoquer des dommages ou des blessures.

• L'appareil doit être installé conformément aux instructions pour réduire les risques de dommages liés à des tremblements de terre, des typhons ou des vents violents. Une installation incorrecte peut entraîner la chute de l'appareil et provoquer des dommages ou des blessures.

## 4. Installation de la tuyauterie du réfrigérant

### 4.1. Consignes pour appareils utilisant le réfrigérant R410A

• Se reporter à la page 23 pour les consignes non reprises ci-dessous concernant l'utilisation de climatiseurs avec un réfrigérant R410A.

• Appliquer une petite quantité d'huile ester, éther ou alkylbenzène comme huile réfrigérante sur les sections évasées.

• Utiliser le cuivre phosphoreux C1220, pour des tuyaux sans soudure en cuivre et en alliage de cuivre, pour raccorder les tuyaux de réfrigérant. Utiliser les tuyaux de réfrigérant dont l'épaisseur est spécifiée dans le tableau ci-dessous. Vérifier que l'intérieur des tuyaux est propre et dépourvu de tout agent nocif tel que des composés sulfuriques, des oxydants, des débris ou des saletés.

**⚠ Avertissement:**

Lors de l'installation, du déplacement ou de l'entretien du climatiseur, n'utilisez que le réfrigérant spécifié (R410A) pour remplir les tuyaux de réfrigérant. Ne pas le mélanger avec un autre réfrigérant et faire le vide d'air dans les tuyaux.

Si du réfrigérant est mélangé avec de l'air, cela peut provoquer des pointes de pression dans les tuyaux de réfrigérant et entraîner une explosion et d'autres risques.

L'utilisation d'un réfrigérant différent de celui spécifié pour le climatiseur peut entraîner des défaillances mécaniques, des dysfonctionnements du système ou une panne de l'appareil. Dans le pire des cas, cela peut entraîner un obstacle à la mise en sécurité du produit.

Type d'appareil intérieur	P06-P18	P24-P60	P72
Conduit de liquide	ø6,35 mm [1/4 inch] épaisseur 0,8 mm [1/32 inch]	ø9,52 mm [3/8 inch] épaisseur 0,8 mm [1/32 inch]	ø9,52 mm [3/8 inch] épaisseur 0,8 mm [1/32 inch]
Conduit de gaz	ø12,7 mm [1/2 inch] épaisseur 0,8 mm [1/32 inch]	ø15,88 mm [5/8 inch] épaisseur 1,0 mm [5/128 inch]	ø19,05 mm [3/4 inch] épaisseur 1,0 mm [5/128 inch]

• Ne pas utiliser de tuyaux plus fins que ceux spécifiés ci-dessus.

• Pour les tuyaux de ø19,05 mm [3/4 inch], utilisez des tuyaux en matériau 1/2H (purgés).

• Les épaisseurs du tableau ci-dessus sont basées sur les normes japonaises. Utilisez des tuyaux présentant une pression de fonctionnement maximale de 4,15 MPa [601 PSIG] ou plus selon les normes locales.

## 4. Installation de la tuyauterie du réfrigérant

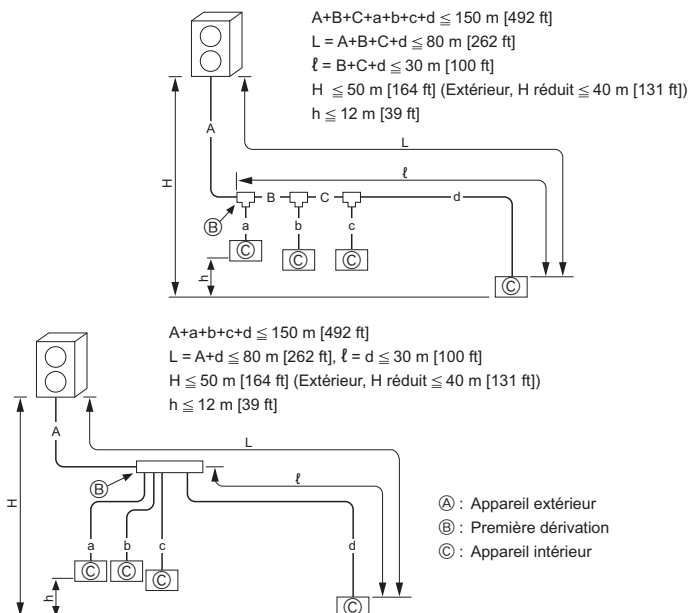
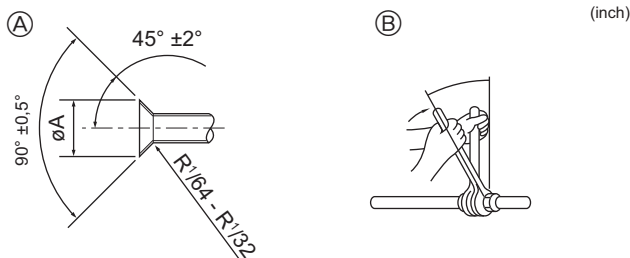


Fig. 4-1



- (A) Dimension de l'évasement  
(B) Couple de serrage du raccord conique

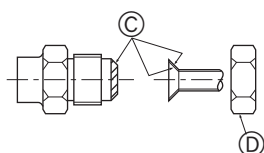


Fig. 4-2

(A) (Fig. 4-2) (mm [inch])

Diam. ext. Tuyau en cuivre	Dimensions évasement Dimensions ØA
ø6,35 [1/4]	8,7 - 9,1 [11/32-23/64]
ø9,52 [3/8]	12,8 - 13,2 [1/2-33/64]
ø12,7 [1/2]	16,2 - 16,6 [41/64-21/32]
ø15,88 [5/8]	19,3 - 19,7 [49/64-25/32]
ø19,05 [3/4]	23,6 - 24,0 [15/16-61/64]

(B) (Fig. 4-2)

Diam. ext. Tuyau en cuivre (mm [inch])	Diam. ext. raccord conique (mm [inch])	Couple de serrage (N·m [ft·lbs])
ø6,35 [1/4]	17 [43/64]	14 - 18 [10-13]
ø6,35 [1/4]	22 [7/8]	34 - 42 [25-30]
ø9,52 [3/8]	22 [7/8]	34 - 42 [25-30]
ø12,7 [1/2]	26 [1-3/64]	49 - 61 [35-44]
ø12,7 [1/2]	29 [1-9/64]	68 - 82 [49-59]
ø15,88 [5/8]	29 [1-9/64]	68 - 82 [49-59]
ø15,88 [5/8]	36 [1-27/64]	100 - 120 [71-87]
ø19,05 [3/4]	36 [1-27/64]	100 - 120 [71-87]

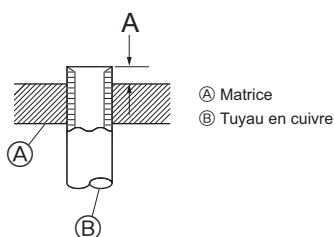


Fig. 4-3

A (mm [inch])

	(A) Conduit de liquide	(B) Conduit de gaz
PUMY	ø9,52 [3/8]	ø19,05 [3/4]

B, C, D (mm [inch])

(C) Puissance totale des appareils intérieurs	(A) Conduit de liquide	(B) Conduit de gaz
	ø9,52 [3/8]	ø19,05 [3/4]

a, b, c, d, e, f (mm [inch])

(B) Numéro de modèle	(A) Conduit de liquide	(B) Conduit de gaz
P06, P08, P12, P15, P18	ø6,35 [1/4]	ø12,7 [1/2]
P24, P30, P36, P48, P54	ø9,52 [3/8]	ø15,88 [5/8]
P72	ø9,52 [3/8]	ø19,05 [3/4]

(E) Modèle du kit de dérivation
CMY-Y62-G-E

(F) 4-Socle de dérivation	(G) 8-Socle de dérivation
CMY-Y64-G-E	CMY-Y68-G-E

## 4.2. Connexion des tuyaux (Fig. 4-2)

Fig. 4-1 est un exemple de circuit de tuyauteries.

- En cas d'utilisation de tuyaux en cuivre disponibles sur le marché, envelopper les tuyaux de liquide et de gaz avec de la matière isolante vendue dans le commerce sur le marché (résistant à une chaleur de 100°C [212°F] ou supérieure et d'une épaisseur de 12 mm [1/2 inch] ou plus).
- Les parties intérieures du tuyau d'écoulement doivent également être entourées de matière isolante en mousse de polyéthylène (avec une poids spécifique de 0,03 et de 9 mm [23/64 inch] d'épaisseur ou plus).
- Appliquer un film mince d'huile réfrigérante sur la surface du tuyau et du support du joint avant de serrer l'écrou évasé. (A)
- Utiliser deux clés pour serrer les connexions des tuyaux. (B)
- Lorsque le raccord des tuyaux est terminé, utiliser un détecteur de fuite de gaz ou une solution savonneuse à base d'eau pour s'assurer qu'il n'y ait pas de fuite de gaz.
- Appliquer de l'huile réfrigérante sur toute la surface évasée du fond. (C)
- Utiliser les écrous évasés correspondant aux tailles de tuyaux suivantes. (D)

(mm [inch])

		Appareil intérieur			Appareil extérieur
		P06-P18	P24-P54	P72	P60
Côté gaz	Diamètre du tuyau	ø12,7 [1/2]	ø15,88 [5/8]	ø19,05 [3/4]	ø19,05 [3/4]
Côté liquide	Diamètre du tuyau	ø6,35 [3/8]	ø9,52 [3/8]	ø9,52 [3/8]	ø9,52 [3/8]

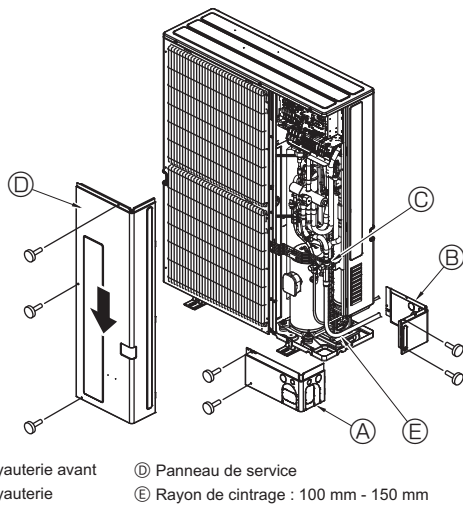
- Veiller à ne pas rompre les tuyaux lors de leur courbure. Des rayons de courbure compris entre 100 mm [3-15/16 inch] à 150 mm [5-27/32 inch] suffisent.
- Vérifier que les tuyaux ne touchent pas le compresseur. Des vibrations ou des bruits anormaux pourraient se produire.

- Raccorder les tuyaux en commençant par l'appareil intérieur. Serrer les écrous évasés à l'aide d'une clé dynamométrique.
- Evaser les conduits de liquide et de gaz, puis appliquer un film mince d'huile réfrigérante (application sur site).
- Si un procédé d'étanchéité traditionnel est utilisé pour les tuyaux, se reporter au tableau 1 pour l'évasement des tuyaux de réfrigérant R410A. La jauge de réglage de la taille peut être utilisée pour confirmer les mesures A.

Tableau 1 (Fig. 4-3)

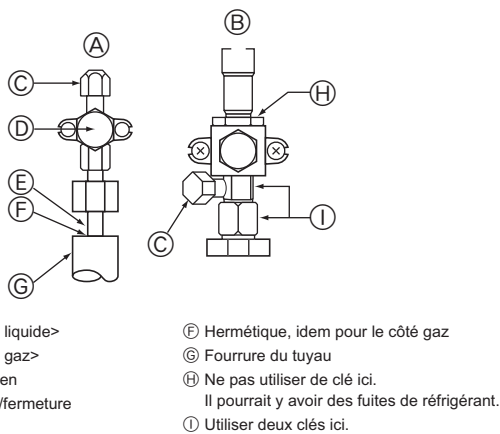
Diam. ext. Tuyau en cuivre (mm [inch])	A (mm [inch])	
	Type embrayage	
ø6,35 [1/4]	1,0 - 1,5 [3/64-1/16]	
ø9,52 [3/8]	1,0 - 1,5 [3/64-1/16]	
ø12,7 [1/2]	1,0 - 1,5 [3/64-1/16]	
ø15,88 [5/8]	1,0 - 1,5 [3/64-1/16]	
ø19,05 [3/4]	1,0 - 1,5 [3/64-1/16]	

## 4. Installation de la tuyauterie du réfrigérant



A Couvercle de la tuyauterie avant    D Panneau de service  
B Couvercle de la tuyauterie    E Rayon de cintrage : 100 mm - 150 mm  
C Vanne d'arrêt

Fig. 4-4



A Vanne d'arrêt <côté liquide>    F Hermétique, idem pour le côté gaz  
B Vanne d'arrêt <côté gaz>    G Fourrure du tuyau  
C Orifice pour l'entretien    H Ne pas utiliser de clé ici.  
D Section d'ouverture/fermeture    Il pourrait y avoir des fuites de réfrigérant.  
E Tuyau local    I Utiliser deux clés ici.

Fig. 4-5

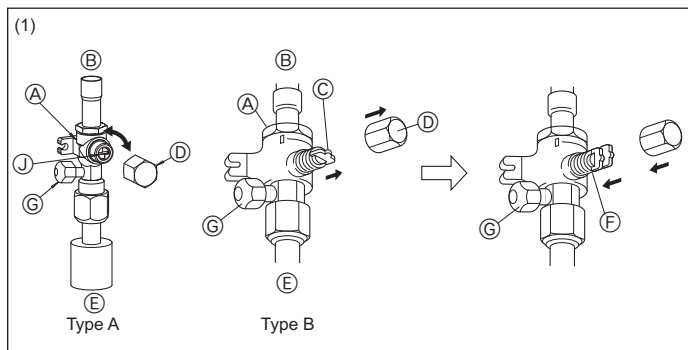


Fig. 4-6

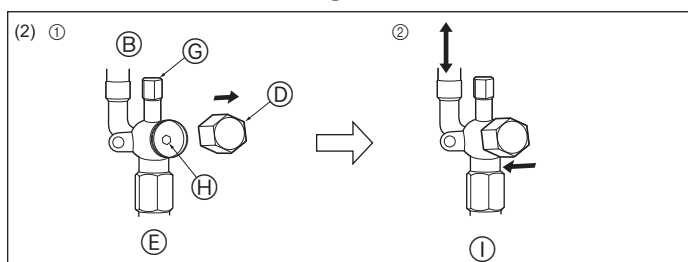


Fig. 4-7

### 4.3. Mise en place des tuyaux de réfrigérant (Fig. 4-4)

Retirer le panneau de service ① (trois vis), le cache-tuyaux avant ② (deux vis) et le cache-tuyaux arrière ③ (deux vis).

- Effectuer les raccordements des tuyaux de réfrigérant de l'appareil intérieur/extérieur lorsque la vanne d'arrêt de l'appareil extérieur est complètement fermée.
- Faire le vide d'air de l'appareil intérieur et des tuyaux de raccordement.

#### Évacuation

Évacuez avec la valve de l'unité extérieure fermée et évacuez en même temps la tuyauterie de connexion et l'unité intérieure depuis le port de service fourni sur la valve de l'unité extérieure à l'aide d'une pompe à vide. (Évacuez toujours depuis le port de service du tube de liquide et du tube de gaz.) Après que le vide ait atteint 650 Pa [abs] [0,0943 psi/5 Torr], continuez l'évacuation pendant au moins une heure. Arrêtez ensuite la pompe à vide et laissez-la pendant une heure. Vérifiez que le degré de vide n'a pas augmenté. (Si le degré d'augmentation du vide est supérieur à 130 Pa [0,01886 psi/1,0 Torr], de l'eau pourrait avoir pénétré. Appliquez une pression d'azote sec jusqu'à 0,05 MPa [7,25 psi] et appliquez de nouveau le vide.) Pour finir, scellez avec le frigorigène liquide à travers le tube de fluide et ajustez la tuyauterie de gaz pour obtenir une quantité appropriée de frigorigène pendant le fonctionnement.

\* N'exécutez jamais de purge d'air à l'aide du frigorigène.

- Une fois les tuyaux de réfrigérant raccordés, vérifier les éventuelles fuites de gaz dans les tuyaux raccordés et l'appareil intérieur. (Voir 4.4. Test d'étanchéité des tuyaux de réfrigérant.)
- Vider les tuyaux de réfrigérant par l'orifice de service des vannes d'arrêt de liquide et de gaz. Puis, ouvrir complètement les vannes d'arrêt (de liquide et de gaz). Cette opération permet le raccordement complet des tuyaux de réfrigérant des appareils intérieur et extérieur.
  - Faire fonctionner l'appareil sans avoir ouvert les vannes d'arrêt risque d'endommager le compresseur et la vanne de commande.
  - Utiliser un détecteur de fuites ou de l'eau savonneuse pour vérifier les éventuelles fuites de gaz aux sections de raccordement des tuyaux de l'appareil extérieur.
  - Ne pas utiliser le réfrigérant de l'appareil pour faire le vide d'air des tuyaux de réfrigérant.
  - Après avoir utilisé les vannes, resserrer leurs capuchons au couple correct : 20 à 25 N·m [14 à 18 ft·lbs] (200 à 250 kgf·cm). Si les capuchons sont mal replacés ou resserrés, une fuite de réfrigérant peut se produire. Veiller également à ne pas endommager l'intérieur des capuchons des vannes car leur étanchéité empêche les fuites de réfrigérant.
- Appliquer un agent d'étanchéité sur les extrémités de l'isolation thermique autour des sections de raccordement des tuyaux afin d'empêcher l'eau de pénétrer dans l'isolation thermique.

#### Remarque:

##### <Triple évacuation>

- Évacuez le système de 4 000 microns par les deux valves de service. Les ensembles de jauge du système ne doivent pas être utilisés pour mesurer le vide. Une jauge micron doit être utilisée en permanence.
  - Cassez le vide avec de l'azote (N<sub>2</sub>) dans la valve de service de décharge jusqu'à 0 PSIG.
- Évacuez le système de 1 500 microns par la valve d'aspiration.
  - Cassez le vide avec de l'azote (N<sub>2</sub>) dans la valve de service de décharge jusqu'à 0 PSIG.
- Évacuez le système de 500 microns. Le système doit maintenir le vide à 500 microns pendant au moins 1 heure.
- Exécutez un test d'échauffement pendant au moins 30 minutes.

### 4.4. Test d'étanchéité des tuyaux de réfrigérant

- Connecter les outils de test.
  - Vérifier que les vannes d'arrêt ① et ② sont fermées et ne pas les ouvrir.
  - Ajouter de la pression dans les tuyaux de réfrigérant par l'orifice de service ③ de la vanne d'arrêt de liquide ④ et de la vanne d'arrêt de gaz ⑤.
- Ne pas ajouter en une seule fois de pression à la pression spécifiée mais progressivement.
  - Pressuriser jusqu'à 0,5 MPa [73 PSIG] attendre cinq minutes et vérifier que la pression ne diminue pas.
  - Pressuriser jusqu'à 1,5 MPa [218 PSIG], attendre cinq minutes et vérifier que la pression ne diminue pas.
  - Pressuriser jusqu'à 4,15 MPa [601 PSIG], puis mesurer la température ambiante et la pression du réfrigérant.
- Si la pression spécifiée se maintient pendant environ une journée sans diminuer, les tuyaux ne présentent pas de fuite.
  - Si la température ambiante varie de 1°C [1,8°F], la pression varie d'environ 0,01 MPa [1,5 PSIG]. Apporter les corrections nécessaires.
- Si la pression diminue à l'étape (2) ou (3), il y a une fuite de gaz. Rechercher l'origine de la fuite de gaz.

### 4.5. Comment ouvrir la vanne d'arrêt

(1) Côté gaz (Fig. 4-6)

Type A

- Retirer le capuchon, puis tourner le mécanisme d'un quart de tour dans le sens antihoraire à l'aide d'un tournevis plat pour ouvrir complètement la vanne.
- S'assurer que la vanne d'arrêt est complètement ouverte, puis replacer et serrer le capuchon dans sa position d'origine.

Type B

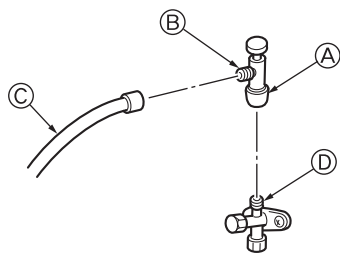
- Enlever le capuchon, ramener la poignée vers soi et la tourner d'un quart de tour en sens inverse des aiguilles d'une montre pour ouvrir la vanne.
- Vérifier que la vanne d'arrêt est complètement ouverte, appuyer sur la poignée et tourner le capuchon pour le ramener sur sa position d'origine.

(2) Côté liquide (Fig. 4-7)

- Retirez le bouchon, et tournez la tige de soupape à fond dans le sens antihoraire avec une clé hexagonale de 4 mm [5/32 inch]. Arrêtez de tourner quand elle frappe la retenue. (ø6,35 [1/4 inch]: env. 4,5 tours) (ø9,52 [3/8 inch]: env. 10 tours)
- Vérifier que la vanne d'arrêt est complètement ouverte, appuyer sur la poignée et tourner le capuchon pour le ramener sur sa position d'origine.

- |                    |                                     |
|--------------------|-------------------------------------|
| A Vanne            | F Côté position ouverte             |
| B Côté appareil    | G Orifice pour l'entretien          |
| C Poignée          | H Orifice pour la clé               |
| D Capuchon         | I Direction du débit du réfrigérant |
| E Côté tuyau local | J Coté de fonctionnement            |

## 4. Installation de la tuyauterie du réfrigérant



- \* La figure à gauche n'est représentée qu'à titre d'exemple. La forme de la vanne d'arrêt, la position de l'ouverture de service, etc., peuvent différer selon le modèle.
- \* Tournez la section (A) uniquement. (Ne serrez pas davantage les sections (A) et (B) l'une contre l'autre.)

(C) Flexible de charge  
(D) Ouverture de service

Fig. 4-8

Les tuyaux de réfrigérant sont entourés d'une couche de protection

- Les tuyaux peuvent être entourés, après ou avant avoir été raccordés, d'une couche de protection allant jusqu'à  $\varnothing 90$  mm [ $\varnothing 3\text{-}35/64$  inch]. Découper la rondelle défonçable du cache-tuyaux en suivant la rainure et envelopper les tuyaux.

Orifice d'entrée du tuyau

- Appliquer du mastic ou un agent d'étanchéité sur l'entrée des tuyaux pour éviter tout espace.

(Si les espaces ne sont pas supprimés, l'appareil risque de fonctionner bruyamment ou d'être endommagé à cause d'une infiltration d'eau et de poussières).

### ⚠ Avertissement:

**Pendant l'installation de l'appareil, brancher correctement les tuyaux de réfrigérant avant de lancer le compresseur.**

### Précautions à prendre lors de l'utilisation de la soupape de charge (Fig. 4-8)

**Ne serrez pas trop l'ouverture de service au moment de l'installer, car vous pourriez déformer le corps de la soupape et des fuites pourraient se produire.**

Après avoir posé la section (B) dans la direction désirée, tournez la section (A) uniquement et serrez-la.

Ne serrez pas davantage les sections (A) et (B) l'une contre l'autre après avoir serré la section (A).

## 4.6. Charge supplémentaire de réfrigérant

### Charge supplémentaire de réfrigérant

Le réfrigérant pour les extensions de tuyauterie n'est pas inclus dans l'appareil extérieur lors de sa sortie d'usine. Par conséquent, chargez le réfrigérant supplémentaire dans chaque système de conduites de réfrigérant sur le lieu d'installation. En outre, pour l'entretien, indiquez la section et la longueur de chaque conduite de liquide ainsi que les quantités de charge supplémentaires dans les espaces prévus à cet effet sur la plaquette "Quantité de réfrigérant" située sur l'appareil extérieur.

### Calcul de la charge de réfrigérant supplémentaire

- Calculez la charge supplémentaire à l'aide de la section de la conduite de liquide et de la longueur de l'extension de tuyauterie.
- Calculez la charge de réfrigérant supplémentaire selon la procédure indiquée à droite, et chargez le système à l'aide du réfrigérant supplémentaire.
- Pour les quantités inférieures à 0,1 kg, arrondissez la charge de réfrigérant supplémentaire calculée. (Par exemple, si la charge calculée est de 32,92 kg, arrondissez-la à 33,0 kg.)

<Charge supplémentaire>

### Calcul de la charge de réfrigérant

Dimension des tuyaux Tuyau de liquide $\varnothing 6,35$	+	Dimension des tuyaux Tuyau de liquide $\varnothing 9,52$	+	Capacité totale des appareils intérieurs connectées	Quantité pour les appareils intérieurs
(m) $\times 0,027$ (kg/m) 0,29 (oz/ft)		(m) $\times 0,07$ (kg/m) 0,75 (oz/ft)		-42	2,0 kg (71 oz)
				43-60	2,5 kg (88 oz)
				61-78	3,0 kg (106 oz)

### Y compris quantité de réfrigérant à la sortie d'usine

Numéro de modèle de l'appareil extérieur	Y compris quantité de réfrigérant
P60	5,1 kg (11 lbs, 4 oz)

### Exemple de calcul (Voir la partie inférieure de la Fig. 4-1.)

Modèle extérieur : P60

1 : A : P24 $\varnothing 9,52$ [3/8"]/ $\varnothing 19,05$ [3/4"] : 30 m [98 ft]	a : $\varnothing 9,52$ [3/8"]/ $\varnothing 15,88$ [5/8"] 15 m [49 ft]	} Pour ces longueurs de tuyauterie
2 : P15	b : $\varnothing 6,35$ [1/4"]/ $\varnothing 12,7$ [1/2"] 15 m [49 ft]	
3 : P08	c : $\varnothing 6,35$ [1/4"]/ $\varnothing 12,7$ [1/2"] 15 m [49 ft]	
4 : P06	d : $\varnothing 6,35$ [1/4"]/ $\varnothing 12,7$ [1/2"] 20 m [66 ft]	

La longueur totale de chaque dimension de tuyau est la suivante :

$\varnothing 9,52$  [3/8"]/ $\varnothing 19,05$  [3/4"] : A = 30 m [98 ft]

$\varnothing 9,52$  [3/8"]/ $\varnothing 15,88$  [5/8"] : a = 15 m [49 ft]

$\varnothing 6,35$  [1/4"]/ $\varnothing 12,7$  [1/2"] : b + c + d = 10 m + 10 m + 20 m = 40 m [33 ft + 33 ft + 66 ft = 132 ft]

Par conséquent, la charge supplémentaire est :

=  $30 \times 0,07 + 15 \times 0,07 + 40 \times 0,027 + 2,5$  [98  $\times 0,75 + 49 \times 0,75 + 132 \times 0,29 + 88$ ]

= 6,8 kg [237 oz]

## 5. Mise en place du tuyau d'écoulement

### Raccordement du tuyau d'écoulement de l'appareil extérieur

Lorsqu'un tuyau d'écoulement s'avère nécessaire, utiliser la douille de drainage ou la cuvette de drainage (en option).

	P60
Douille de drainage	PAC-SG61DS-E
Cuvette de drainage	PAC-SH97DP-E

## 6. Installations électriques

### 6.1. Précaution

- ① Respecter les réglementations gouvernementales pour les normes techniques concernant les installations électriques et le câblage et suivre les conseils de la compagnie d'électricité concernée.
- ② Les câbles de commandes (ci-après dénommé la ligne de transmission) seront éloignés (de 5 cm [2 inch] ou plus) des câbles de la source d'alimentation de sorte à ne pas être influencé par les interférences de l'alimentation. (Ne jamais introduire la ligne de transmission et les câbles d'alimentation dans la même gaine.)
- ③ Toujours effectuer les travaux adéquats de mise à la terre à l'appareil extérieur.
- ④ Laisser une longueur de câble suffisante dans le boîtier des éléments électriques des appareils intérieurs et des appareils extérieurs car le boîtier doit parfois être retiré pour les interventions techniques.
- ⑤ Ne jamais raccorder la source d'alimentation principale au bloc terminal de la ligne de transmission car cela brûlerait les composants électriques.
- ⑥ Utiliser un câble blindé à deux fils comme ligne de transmission. Si les lignes de transmission des différents systèmes devaient être reliées par le même câble à fils multiples, la transmission et la réception seraient mauvaises ce qui conduirait à un fonctionnement erroné des appareils.
- ⑦ Seule la ligne de transmission indiquée doit être reliée au bloc terminal pour la transmission de l'appareil extérieur.  
(Ligne de transmission à raccorder à l'appareil intérieur: Bloc terminal TB3 pour la ligne de transmission, Autres: Bloc terminal TB7 pour une commande centralisée)  
Une mauvaise connexion empêchera le fonctionnement du système.
- ⑧ En cas de raccordement avec le contrôleur de classe supérieure ou pour obtenir un fonctionnement groupé de plusieurs systèmes de réfrigérant, il est nécessaire de placer une ligne de contrôle de transmission entre chaque appareil extérieur.  
Connecter cette ligne de contrôle entre les blocs terminaux pour une commande centralisée. (Ligne à deux câbles non polarisés.)  
En cas de raccordement dans différents systèmes de réfrigérant sans passer par le contrôleur de classe supérieure, sur un des appareils extérieurs, déplacer le cavalier du connecteur de court-circuit de CN41 à CN40.
- ⑨ La définition du groupe se fait par le biais de la commande à distance.

## 6. Installations électriques

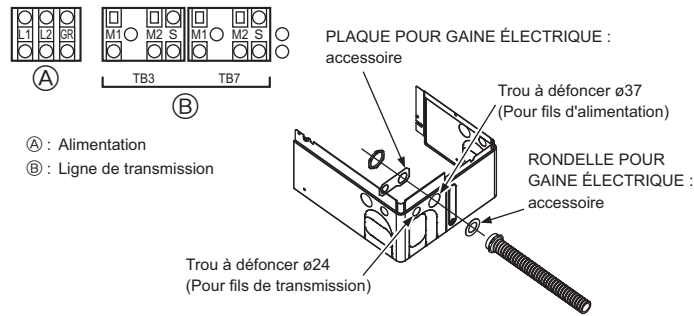


Fig. 6-1

### 6.2. Boîtier de commande et emplacement pour le raccordement des câbles (Fig. 6-1)

- Connectez la ligne de transmission de l'appareil intérieur au bloc de sorties de la ligne de transmission (TB3) ou connectez les fils entre les appareils extérieurs ou les fils du système de commande centrale au bloc de sorties de la commande centrale (TB7).  
Lorsqu'un câblage blindé est utilisé, connectez la terre blindée de la ligne de transmission de l'appareil intérieur à la vis de terre ( $\perp$ ) et connectez la terre blindée de la ligne reliant les appareils extérieurs et la ligne de transmission du système de commande centrale à la borne de blindage (S) du bloc de sorties (TB7) de la commande centrale. De plus, si le connecteur d'alimentation CN41 des appareils extérieurs a été remplacé par CN40, la borne de blindage (S) du bloc de sorties (TB7) du système de commande centrale devrait également être reliée à la terre ( $\perp$ ).
- Des plaques de montage pour les conduits ( $\varnothing 37$  [1-29/64 inch] -  $\varnothing 24$  [15/16 inch]) sont fournies. Faites passer le câble d'alimentation et les câbles de transmission par l'orifice à dégager approprié, puis enlevez la pièce superflue de l'orifice situé en bas du bloc de sorties et connectez les fils.
- Attachez le câble d'alimentation au bloc de sorties en utilisant le manchon pour la force de tension (Connexion PG ou similaire).

### 6.3. Mise en place des câbles de transmission

#### ① Types de câbles de commande

- Mise en place des câbles de transmission
  - Types de câbles de transmission: Fil blindé MVVS ou CPEVS
  - Diamètre des câbles: Supérieur à 1,25 mm<sup>2</sup> [AWG16]
  - Longueur maximum des câbles: 200 m [656 ft]

#### 2. Câbles de la télécommande M-NET

Type de câble de télécommande	Fil blindé MVVS
Diamètre du câble	0,5 à 1,25 mm <sup>2</sup> [AWG20 à AWG16]
Remarques	Pour une longueur supérieure à 10 m [32 ft], utilisez un câble similaire au câble de la ligne de transmission.

#### 3. Câbles de la télécommande MA

Type de câble de télécommande	Câble à deux âmes (non blindé)
Diamètre du câble	0,3 à 1,25 mm <sup>2</sup> [AWG22 à AWG16]

#### ② Exemples de câblage

- Nom du contrôleur, symbole et nombre de contrôleurs permis.

Nom	Symbole	Nombre de contrôleurs permis
Contrôleur de l'appareil extérieur	OC	
Contrôleur de l'appareil intérieur	IC	1 à 12 contrôleurs pour 1 OC
Commande à distance	RC (M-NET)	12 contrôleurs maximum pour 1 OC
	MA	Maximum 2 par groupe

### Exemple de système de fonctionnement relié à la terre avec plusieurs appareils extérieurs (Il est nécessaire d'utiliser des câbles blindés et de définir les adresses.)

<Exemple de mise en place des câbles de transmission>

#### ■ Commande à distance M-NET (Fig. 6-2)

#### ■ Commande à distance MA (Fig. 6-3)

<Méthode de câblage et réglage des adresses>

- Toujours utiliser des câbles blindés pour effectuer les connexions entre l'appareil extérieur (OC) et l'appareil intérieur (IC), ainsi que pour les intervalles de câblage OC-OC et IC-IC.
- Utiliser des câbles d'alimentation pour raccorder les terminaux M1 et M2 et la borne de terre du câble de transmission du bloc terminal (TB3) de chaque appareil extérieur (OC) aux bornes M1, M2 et S des câbles de transmission du bloc de l'appareil intérieur (IC).
- Raccorder les bornes 1 (M1) et 2 (M2) du bloc terminal des câbles de transmission de l'appareil intérieur (IC) qui possède l'adresse la plus récente au sein d'un même groupe au bloc terminal de la commande à distance (RC).
- Connecter les bornes M1, M2 et S des blocs terminaux (TB7) pour le contrôle central sur les deux appareils extérieurs (OC).
- Le cavalier CN41 du panneau de commande ne change pas.
- Raccorder la borne S du bloc de sorties du contrôle centralisé de l'unité d'alimentation à la borne de terre ( $\perp$ ) du boîtier des composants électriques.
- Régler les commutateurs d'adresses comme indiqué ci-dessous.

Appareil	Plage	Méthode de réglage
IC (maître)	01 à 50	Utiliser l'adresse la plus récente au sein du même groupe d'appareils intérieurs
IC (esclave)	01 à 50	Utiliser une adresse, autre que celle de l'IC maître parmi les unités d'un même groupe d'appareils intérieurs. Celle-ci doit se trouver en séquence avec celle de l'IC maître
Appareil extérieur	51 à 100	Utiliser l'adresse la plus récente des appareils intérieurs dans le même système réfrigérant plus 50 * L'adresse devient automatiquement "100" si elle est réglée sur "01-50".
M-NET R/C (maître)	101 à 150	Régler l'adresse IC (principale) plus 100
M-NET R/C (esclave)	151 à 200	Régler l'adresse adresse IC (principale) plus 150
MA R/C	-	Réglage d'adresse inutile (Réglage principal/secondaire nécessaire)

- Les opérations de réglage groupé pour des appareils intérieurs multiples s'effectuent par le biais de la commande à distance (RC) après la mise sous tension.

<Longueurs permises>

#### ① Commande à distance M-NET

- Longueur maximum via les appareils extérieurs:  $L_1+L_2+L_3+L_4$  et  $L_1+L_2+L_3+L_5$  et  $L_1+L_2+L_6+L_7 \leq 500$  m [1640 ft] (1,25 mm<sup>2</sup> [AWG16] ou plus)
- Longueur maximum des câbles de transmission:  $L_1$  and  $L_3+L_4$  et  $L_3+L_5$  and  $L_6$  et  $L_2+L_6$  et  $L_7 \leq 200$  m [656 ft] (1,25 mm<sup>2</sup> [AWG16] ou plus)
- Longueur du câble de la commande à distance:  $l_1, l_2, l_2+l_3, l_4 \leq 10$  m [33 ft] (0,5 à 1,25 mm<sup>2</sup> [AWG20 à AWG16])  
Si la longueur dépasse 10 m [33 ft], utiliser un câble blindé de 1,25 mm<sup>2</sup> [AWG16] de section. La longueur de cette section ( $L_8$ ) doit alors être prise en considération dans les calculs de longueur maximum et de longueur totale.

#### ② Commande à distance MA

- Longueur maximum via les appareils extérieurs (Câble M-NET):  $L_1+L_2+L_3+L_4$  et  $L_1+L_2+L_6+L_7 \leq 500$  m [1640 ft] (1,25 mm<sup>2</sup> [AWG16] ou plus)
- Longueur maximum des câbles de transmission (Câble M-NET):  $L_1$  et  $L_3+L_4$  et  $L_6$  et  $L_2+L_6$  et  $L_7 \leq 200$  m [656 ft] (1,25 mm<sup>2</sup> [AWG16] ou plus)
- Longueur du câble de la commande à distance:  $m_1$  et  $m_1+m_2+m_3$  et  $m_1+m_2+m_3+m_4 \leq 200$  m [656 ft] (0,3 à 1,25 mm<sup>2</sup> [AWG20 à AWG16])

## 6. Installations électriques

### ■ Commande à distance M-NET

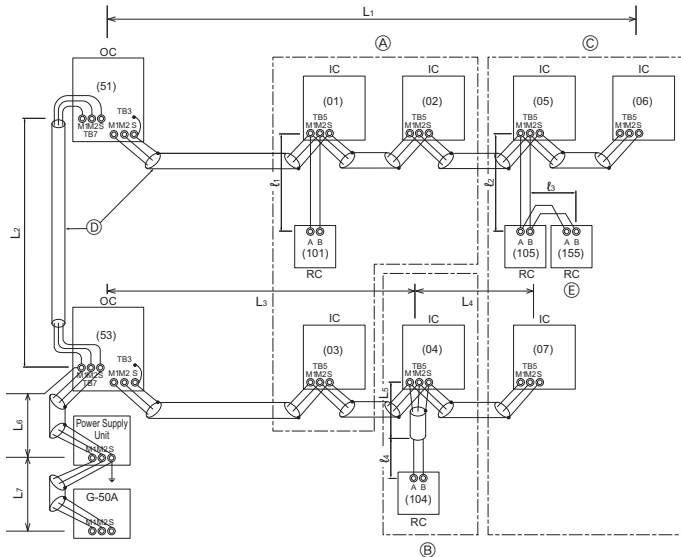


Fig. 6-2

- (A) : Groupe 1
- (B) : Groupe 3
- (C) : Groupe 5
- (D) : Câble blindé
- (E) : Commande à distance secondaire
- Entre ( ): Adresse

### ■ Commande à distance MA

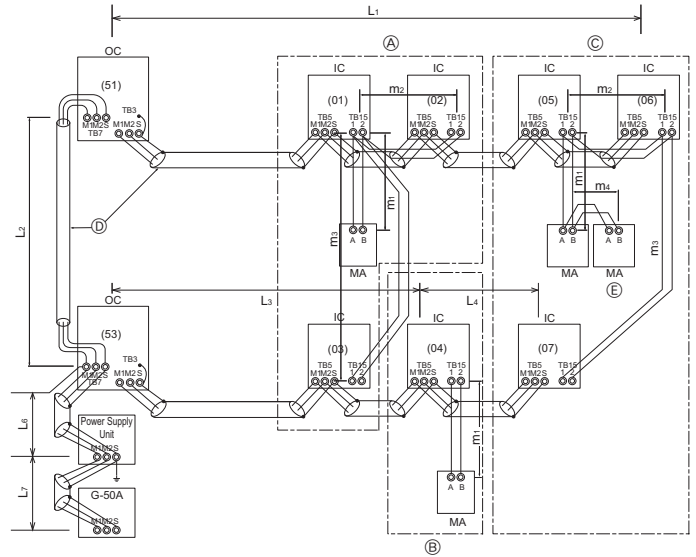
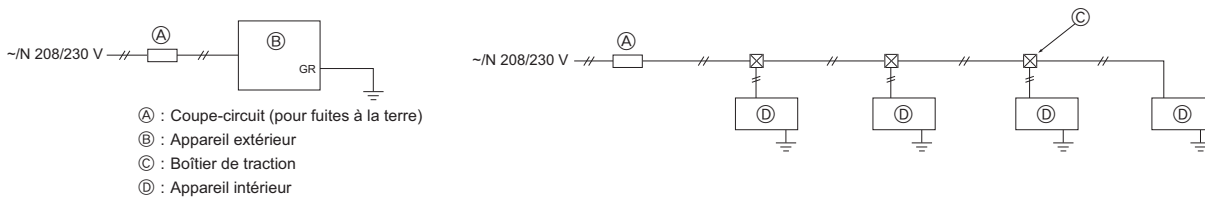


Fig. 6-3

## 6.4. Câblage de l'alimentation principale et capacité des équipements

Schéma du câblage (exemple) (Fig. 6-4)



- (A) : Coupe-circuit (pour fuites à la terre)
- (B) : Appareil extérieur
- (C) : Boîtier de traction
- (D) : Appareil intérieur

Fig. 6-4

### Section des câbles pour l'alimentation principale et capacités On/Off

Modèle	Alimentation	Section minimum des câbles (mm <sup>2</sup> [AWG])		Breaker for Wiring*1	Coupe-circuit pour les fuites de courant	Courant admissible minimum du circuit	Régime nominal maximum du dispositif de protection de surintensité
		Câble principal*2	Terre				
Appareil extérieur	P60 ~N (Monophasé), 60 Hz, 208/230 V	8,4 [AWG8]	8,4 [AWG8]	40 A	40 A 30 mA 0,1 sec ou moins	25 A	42 A
Appareil intérieur	~N (Monophasé), 60 Hz, 208/230 V	Reportez-vous au manuel d'installation de l'appareil intérieur.					

\*1. Utiliser un disjoncteur sans fusible (NF) ou un disjoncteur de fuite à la terre (NV) avec un écartement de 3,0 mm [1/8 inch] minimum entre les contacts de chaque pôle.

\*2. Utiliser des câbles électriques en cuivre. Utiliser des câbles électriques correspondant à une tension de 300 V.

- Utiliser une alimentation séparée pour l'appareil extérieur et pour l'appareil intérieur.
- Tenir compte des conditions climatiques (température ambiante, rayons solaires directs, eau pluviale, etc.) lors du câblage et du raccordement des appareils.
- Les dimensions des câbles représentent les dimensions minimales pour le câblage de conduits métalliques. Le cordon d'alimentation doit être une unité plus épais à cause des chutes de tension. Vérifier que la tension de l'alimentation ne diminue pas de plus de 10%.
- En cas de câblages spécifiques, ceux-ci doivent respecter les lois en vigueur dans la région concernée.
- Les cordons d'alimentation électrique des éléments des appareils utilisés à l'extérieur seront au moins aussi lourds que les cordons souples blindés de polychloroprène (conception 60245 IEC57). Vous pouvez notamment utiliser dans ce cas des câbles de type YZW.
- Installer un câble de terre plus long que les autres câbles.

#### ⚠ Avertissement:

- Toujours utiliser les câbles indiqués pour les connexions de sorte qu'aucune force externe ne s'applique aux bornes. Si les connexions ne sont pas effectuées correctement, il peut se produire une surchauffe, voir un incendie.
- Assurez-vous d'utiliser le correct interrupteur de protection contre la surintensité de courant. Veuillez noter que la surintensité de courant générée peut comprendre une certaine quantité de courant direct.

#### ⚠ Précaution:

- Certains sites d'installation peuvent demander l'application d'un coupe-circuit de fuite à la terre. Si ce coupe-circuit n'est pas installé, il peut y avoir danger d'électrocution.
- Ne jamais utiliser de coupe-circuits ou de fusibles autres que ceux possédant la valeur adéquate. L'utilisation de fusibles et de fils/fils en cuivre surdimensionnés risque de provoquer un mauvais fonctionnement de l'appareil, voir un incendie.

#### IMPORTANT

S'assurer que le disjoncteur de fuite de courant est compatible avec les harmoniques les plus élevées. Veiller à toujours utiliser un disjoncteur de fuite de courant compatible avec les harmoniques les plus élevées car cet appareil est équipé d'un inverseur. L'utilisation d'un disjoncteur inapproprié peut provoquer un dysfonctionnement de l'onduleur.

Ne jamais effectuer de jonction du câble d'alimentation ou du câble de raccordement intérieur-extérieur car cela peut entraîner une surchauffe, un incendie ou un raccordement défaillant.

## 7. Marche d'essai

### 7.1. Avant la marche d'essai

- ▶ Lorsque l'installation, le tuyautage et le câblage des appareils intérieur et extérieur sont terminés, vérifier l'absence de fuites de réfrigérant, la fixation des câbles d'alimentation et de commande, l'absence d'erreur de polarité et contrôler qu'aucune phase de l'alimentation n'est déconnectée.
- ▶ Utiliser un appareil de contrôle des M-ohm de 500 volts pour vérifier que la résistance entre les bornes d'alimentation et la mise à la terre est d'au moins 1 MΩ.
- ▶ Ne pas effectuer ce test sur les terminaux des câbles de contrôle (circuit à basse tension).

#### ⚠ Avertissement:

Ne pas utiliser le climatiseur si la résistance de l'isolation est inférieure à 1 MΩ.

#### Résistance de l'isolation

Après l'installation ou après la coupure prolongée de la source d'alimentation, la résistance de l'isolation chutera en deçà d'1 MΩ en raison de l'accumulation de réfrigérant dans le compresseur. Il ne s'agit pas d'un dysfonctionnement. Respectez les procédures suivantes.

1. Retirer les câbles du compresseur et mesurer la résistance de l'isolation du compresseur.
2. Si la résistance de l'isolation est inférieure à 1 MΩ, le compresseur est défaillant ou du réfrigérant s'est accumulé dans le compresseur.

3. Après avoir connecté les câbles au compresseur, celui-ci commence à chauffer dès qu'il est sous tension. Après avoir mis sous tension le compresseur pendant les durées indiquées ci-dessous, mesurer de nouveau la résistance de l'isolation.
  - La résistance de l'isolation chute en raison de l'accumulation de réfrigérant dans le compresseur. La résistance dépassera 1 MΩ après que le compresseur a chauffé pendant 4 heures.  
(Le temps mis par le compresseur pour chauffer varie selon les conditions atmosphériques et l'accumulation de réfrigérant).
  - Pour faire fonctionner le compresseur dans lequel s'est accumulé du réfrigérant, il est nécessaire de le faire chauffer pendant au moins 12 heures afin d'éviter toute défaillance.
4. Si la résistance de l'isolation dépasse 1 MΩ, le compresseur n'est pas défectueux.

#### ⚠ Précaution:

- Le compresseur fonctionnera uniquement si les connexions des phases de l'alimentation électrique sont correctes.
- Mettez l'appareil sous tension au moins 12 heures avant de le faire fonctionner.
- La mise en marche de l'appareil immédiatement après sa mise sous tension pourrait provoquer de sérieux dégâts aux éléments internes. Ne mettez pas l'appareil hors tension pendant la saison de fonctionnement.

#### ▶ Les points suivants doivent être contrôlés également.

- L'appareil extérieur n'est pas défectueux. Le témoin sur la carte de commandes de l'appareil extérieur clignote lorsque celui-ci est défectueux.
- Les vannes d'arrêt de liquide et de gaz sont complètement ouvertes.

## 7.2. Marche d'essai

### 7.2.1. Utilisation de la télécommande

Se reporter au manuel d'installation de l'appareil intérieur.

- Veiller à effectuer un essai pour chaque appareil intérieur. Vérifier que chaque appareil intérieur fonctionne correctement et conformément aux instructions du manuel d'installation fourni avec l'appareil.
- Si l'essai est réalisé simultanément pour tous les appareils intérieurs, il est impossible de détecter les mauvais raccordements, le cas échéant, des tuyaux de réfrigérant et des fils de raccordement.
- \* Il faut attendre au moins 3 minutes après la mise sous tension du compresseur pour que ce dernier soit opérationnel.
- Le compresseur peut émettre un son juste après sa mise sous tension ou si la température de l'air extérieur est basse.

#### A propos du mécanisme de protection de redémarrage

A l'arrêt du compresseur, le dispositif préventif de redémarrage s'active de sorte que le compresseur ne sera pas opérationnel pendant 3 minutes, afin de protéger le climatiseur.

### 7.2.2. Utilisation de SW3 dans l'appareil intérieur

Remarque:

Si l'essai est réalisé à partir de l'appareil extérieur, tous les appareils intérieurs fonctionnent. Il est donc impossible de détecter les mauvais raccordements des tuyaux de réfrigérant et des fils de raccordement. Si l'objectif de cet essai est de détecter les mauvais raccordements, veiller à exécuter l'essai au moyen de la télécommande. Pour ce faire, se reporter à la section "7.2.1 Utilisation de la télécommande".

SW3-1	ON	Fonctionnement du rafraîchissement
SW3-2	OFF	
SW3-1	ON	Fonctionnement du chauffage
SW3-2	ON	

\* Après avoir effectué l'essai de fonctionnement, placer SW 3-1 sur OFF.

- Quelques secondes après le démarrage du compresseur, un bruit métallique provenant de l'intérieur de l'appareil extérieur peut retentir. Le bruit provient de la valve de contrôle et s'explique par une différence de pression minimale dans les tuyaux. L'appareil n'est pas défectueux.

Le mode d'essai ne peut pas être modifié via le commutateur DIP SW3-2 lors de la marche d'essai. (Pour ce faire, arrêter l'essai via le commutateur DIP SW3-1. Une fois le mode modifié, reprendre l'essai via le commutateur SW3-1.)

## 7.3. Récupération du réfrigérant (Aspiration)

Avant de déplacer les climatiseurs, toujours fermer la vanne d'arrêt (pour les tuyaux de gaz et de liquide) située sur l'appareil extérieur puis retirer les appareils intérieurs et extérieurs. A ce stade, le réfrigérant de l'appareil intérieur sera déchargé. Néanmoins, pour minimiser la décharge de réfrigérant, il convient de le pomper. Cette opération consiste à rassembler le réfrigérant présent à l'intérieur du climatiseur et à l'envoyer vers l'échangeur de chaleur situé dans l'appareil extérieur.

#### Méthode de pompage

- ① Faire fonctionner tous les appareils intérieurs en mode de refroidissement et vérifier si le mode de fonctionnement est bien mis sur "COOL". (Régler les appareils de sorte à activer le mode de refroidissement pendant l'opération de pompage (lorsque vous appuyez sur le bouton d'essai de fonctionnement TEST RUN).)
- ② Raccorder une valve collectrice à jauge (munie d'une jauge de pression) à la vanne d'arrêt du tuyau de gaz pour mesurer la pression du réfrigérant.
- ③ Après avoir placé le commutateur secteur extérieur SW3-2 sur OFF, tournez le commutateur SW3-1 sur ON. (L'appareil démarrera en mode de refroidissement.)
- ④ Lorsque l'opération de refroidissement a été menée à bien pendant environ cinq minutes, tournez le commutateur secteur extérieur SW2-4 (commutateur d'aspiration) de la position OFF à la position ON.
- ⑤ Fermer la vanne d'arrêt du tuyau de liquide, en laissant le mode de refroidissement activé (ON). (L'opération de pompage commencera.)
- ⑥ Lorsque le relevé du manomètre passe de 0 à 0,1 MPa [14,5 PSIG] ou au bout de 5 minutes environ suite au démarrage de l'opération d'aspiration, fermez complètement la vanne d'arrêt du tuyau de gaz et arrêtez le climatiseur en tournant immédiatement le commutateur SW3-1 sur OFF.
- ⑦ Tournez le commutateur secteur extérieur SW2-4 de la position ON à la position OFF.
- ⑧ Retirer la vanne collective à jauge et remettre le capuchon en place sur chacune des vannes d'arrêt.

Remarque:

- ① Ne jamais procéder au pompage si la quantité de réfrigérant dans l'appareil intérieur est supérieure à la quantité de réfrigérant sans charge supplémentaire. Le pompage lorsque la quantité de réfrigérant dépasse la quantité de réfrigérant sans charge provoquera une forte augmentation de pression qui peut provoquer un accident.
- ② Ne jamais continuer à faire fonctionner l'appareil pendant longtemps lorsque l'interrupteur SW2-4 est placé sur ON. Ne pas oublier de le remettre sur OFF lorsque le pompage est terminé.
- ③ Le mode d'essai peut être lancé lorsque le commutateur de mode d'essai SW3-1 est sur ON. Le commutateur SW3-2 est utilisé pour lancer la sélection du mode. (ON : Chauffage, OFF : Refroidissement)
- ④ Le temps nécessaire au pompage varie de 3 à 5 minutes après la fermeture de la vanne d'arrêt sur le tuyau de liquide. (Il dépend de la température ambiante et de la quantité de réfrigérant présente dans l'appareil intérieur.)
- ⑤ Vérifier si la lecture de la jauge de pression ne descend pas au-dessous de 0 MPa [0 PSIG]. Si elle devait descendre au-dessous de ce seuil, c'est-à-dire qu'un vide d'air se crée, l'air sera aspiré dans l'appareil en cas de connexions défectueuses.
- ⑥ Même si la lecture de la jauge de pression ne descend pas au-dessous de 0 MPa [0 PSIG], toujours arrêter l'opération de pompage environ 5 minutes après la fermeture complète de la vanne d'arrêt du tuyau de liquide.

---

This product is designed and intended for use in the residential,  
commercial and light-industrial environment.

Please be sure to put the contact address/telephone number on  
this manual before handing it to the customer.

**mitsubishi** **ELECTRIC CORPORATION**

HEAD OFFICE: TOKYO BLDG., 2-7-3, MARUNOUCHI, CHIYODA-KU, TOKYO 100-8310, JAPAN