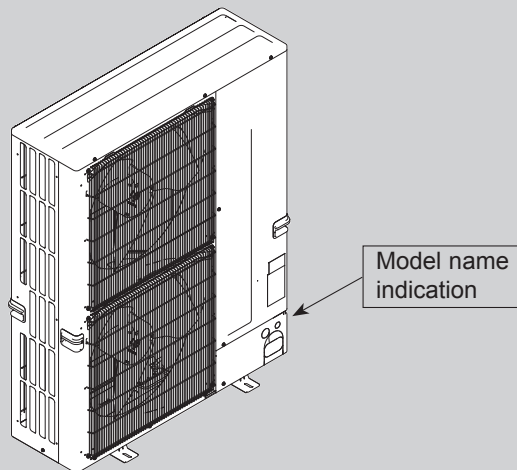


PARTS CATALOG

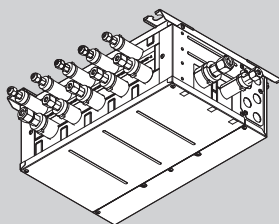
[Model Name]	[Service Ref.]	
<Outdoor unit>		
MXZ-4C36NAHZ	MXZ-4C36NAHZ	MXZ-4C36NAHZ-U1
MXZ-5C42NAHZ	MXZ-5C42NAHZ	MXZ-5C42NAHZ-U1
MXZ-8C48NAHZ	MXZ-8C48NAHZ	MXZ-8C48NAHZ-U1
MXZ-8C48NA	MXZ-8C48NA	MXZ-8C48NA-U1
MXZ-8C60NA	MXZ-8C60NA-U1	
<Branch box>		
PAC-MKA50BC	PAC-MKA50BC	
PAC-MKA30BC	PAC-MKA30BC	
PAC-MKA51BC	PAC-MKA51BC	
PAC-MKA31BC	PAC-MKA31BC	

Revision:
 • Some descriptions have been modified in REVISED EDITION-D.

OCB573 REVISED EDITION-C is void.



OUTDOOR UNIT: MXZ-4C36NAHZ



BRANCH BOX: PAC-MKA50BC

CONTENTS

1. SERVICE PARTS LIST.....	2
2. OPTIONAL PARTS.....	22

SERVICE MANUAL (OCH573)

SERVICE PARTS LIST

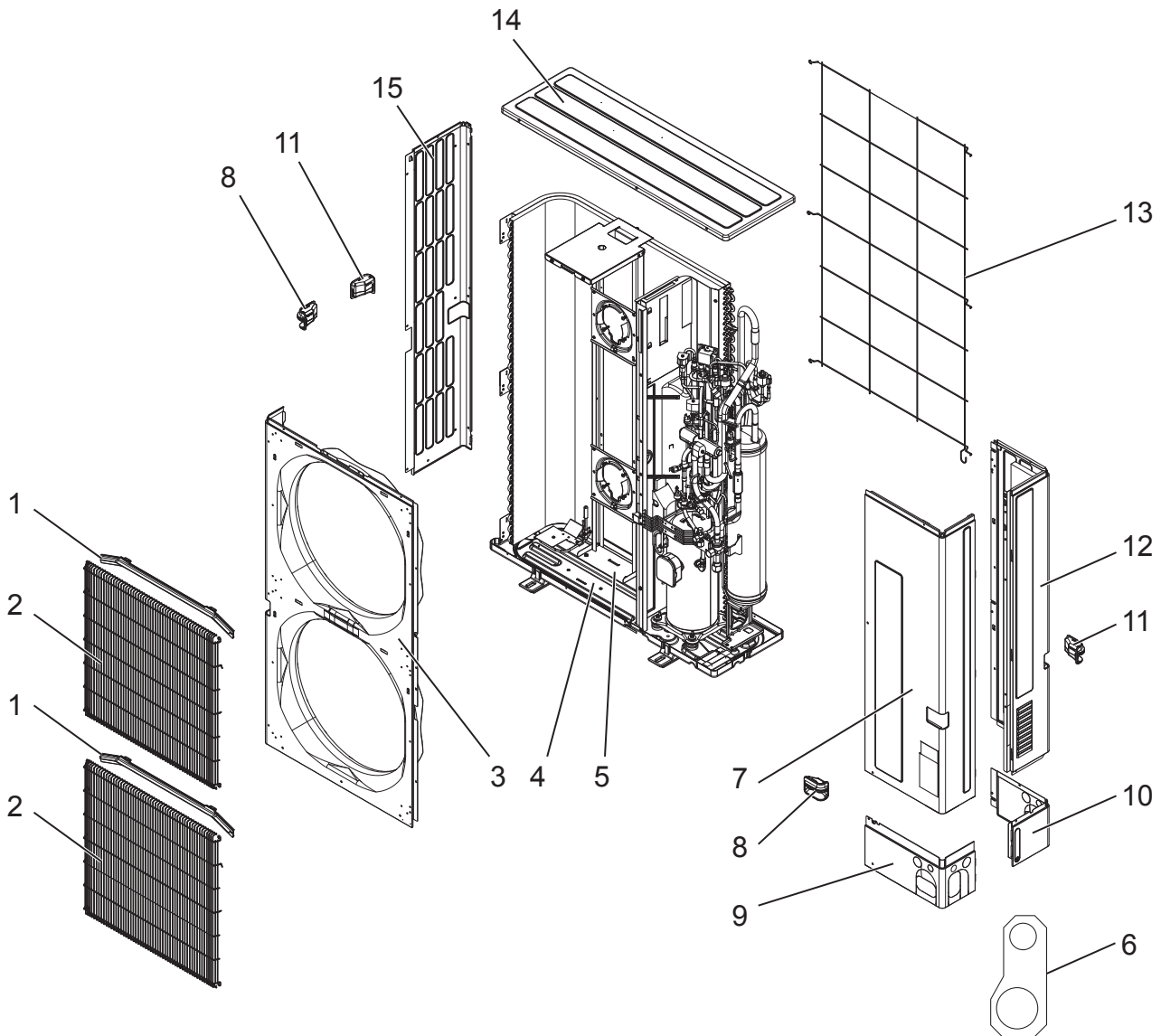
1-1. OUTDOOR UNIT STRUCTURAL PARTS

MXZ-4C36NAHZ

MXZ-5C42NAHZ

MXZ-8C48NAHZ

MXZ-8C48NA





No.	Parts No.	Parts Name	Specification	Q'ty/unit				Remarks (Drawing No.)
				MXZ-4C36NAHZ	MXZ-5C42NAHZ	MXZ-8C48NAHZ	MXZ-8C48NA	
1	R 0 1 E 0 2 6 3 1	ICE GUARD		2	2	2	2	
2	R 0 1 E 7 3 6 9 1	WIRE GRILLE		2	2	2	2	
3	R 0 1 E 2 3 6 6 8	FRONT PANEL		1	1	1	1	
4	R 0 1 E 5 3 6 8 6	BASE ASSY		1	1	1	1	
5	R 0 1 E 5 9 1 3 0	MOTOR SUPPORT		1	1	1	1	
6	T 7 W E 0 5 6 1 7	CONDUIT PLATE		1	1	1	1	
7	T 7 W E 2 0 6 6 8	SERVICE PANEL		1	1	1	1	
8	R 0 1 E 0 5 6 5 5	HANDLE (FRONT)		2	2	2	2	
9	R 0 1 E 3 5 6 5 8	COVER PANEL (FRONT)		1	1	1	1	
10	R 0 1 E 3 6 6 5 8	COVER PANEL (REAR)		1	1	1	1	
11	R 0 1 E 0 6 6 5 5	HANDLE (REAR)		2	2	2	2	
12	R 0 1 E 5 5 6 6 1	SIDE PANEL(R)		1	1	1	1	
13	R 0 1 E 1 0 6 9 8	REAR GUARD		1	1	1	1	
14	R 0 1 E 3 6 6 4 1	TOP PANEL		1	1	1	1	
15	R 0 1 E 3 0 6 6 2	SIDE PANEL (L)		1	1	1	1	

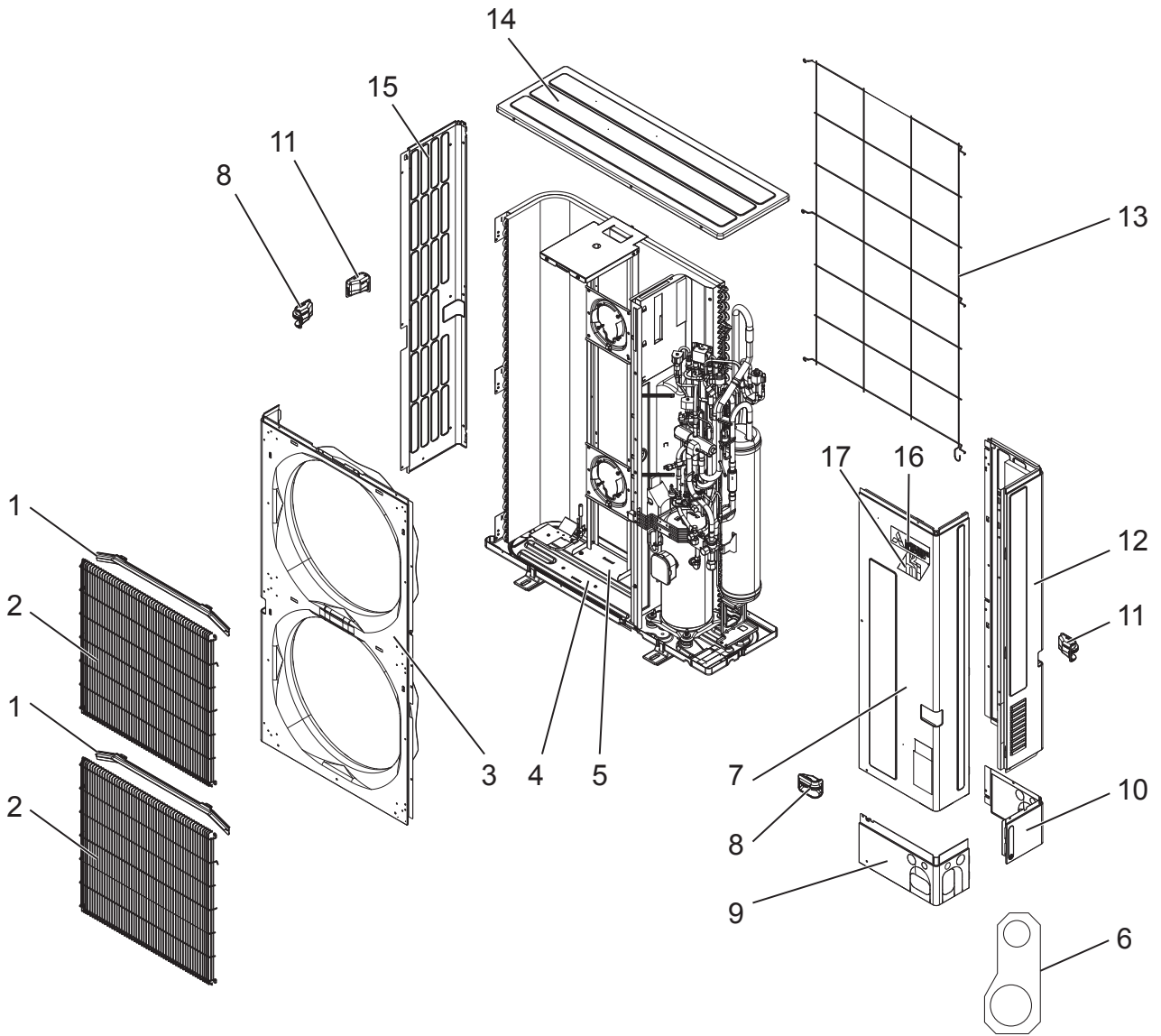
1-1. OUTDOOR UNIT STRUCTURAL PARTS

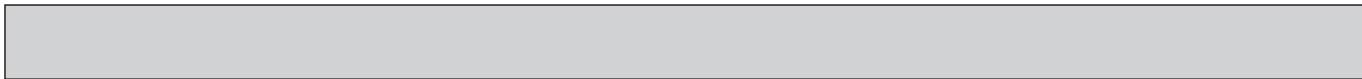
MXZ-4C36NAHZ-U1

MXZ-5C42NAHZ-U1

MXZ-8C48NAHZ-U1

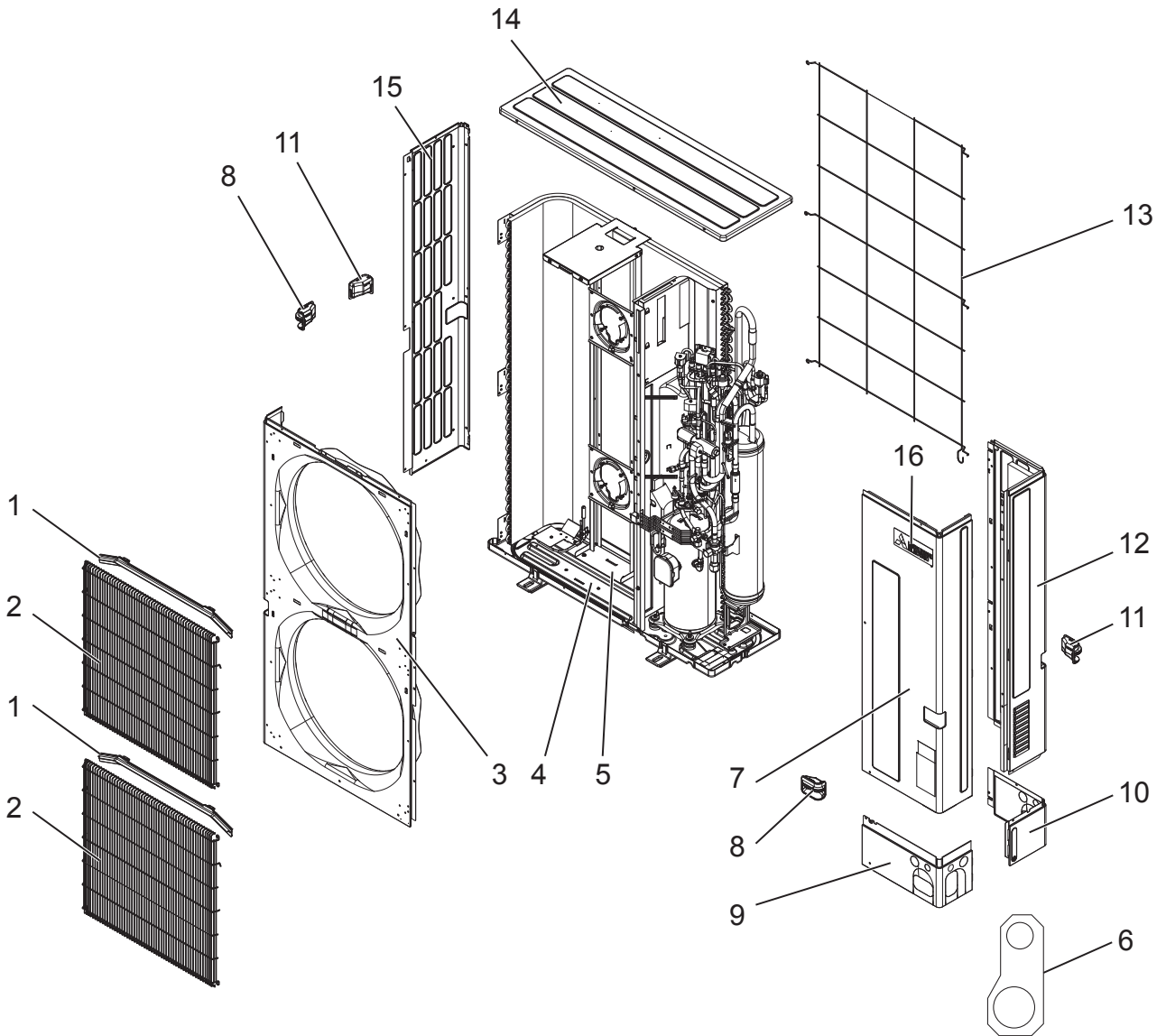
MXZ-8C48NA-U1

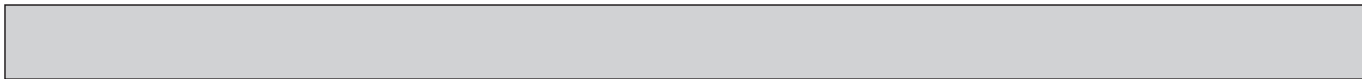




No.	Parts No.	Parts Name	Specification	Q'ty/unit				Remarks (Drawing No.)
				MXZ-4C36NAHZ-U1	MXZ-5C42NAHZ-U1	MXZ-8C48NAHZ-U1	MXZ-8C48NA-U1	
1	R 0 1 E 0 2 6 3 1	ICE GUARD		2	2	2	2	
2	R 0 1 E 7 3 6 9 1	WIRE GRILLE		2	2	2	2	
3	R 0 1 E 2 3 6 6 8	FRONT PANEL		1	1	1	1	
4	R 0 1 E 5 3 6 8 6	BASE ASSY		1	1	1	1	
5	R 0 1 E 5 9 1 3 0	MOTOR SUPPORT		1	1	1	1	
6	T 7 W E 0 5 6 1 7	CONDUIT PLATE		1	1	1	1	
7	T 7 W E 2 0 6 6 8	SERVICE PANEL		1	1	1	1	
8	R 0 1 E 0 5 6 5 5	HANDLE (FRONT)		2	2	2	2	
9	R 0 1 E 3 5 6 5 8	COVER PANEL (FRONT)		1	1	1	1	
10	R 0 1 E 3 6 6 5 8	COVER PANEL (REAR)		1	1	1	1	
11	R 0 1 E 0 6 6 5 5	HANDLE (REAR)		2	2	2	2	
12	R 0 1 E 5 5 6 6 1	SIDE PANEL(R)		1	1	1	1	
13	R 0 1 E 1 0 6 9 8	REAR GUARD		1	1	1	1	
14	R 0 1 E 3 6 6 4 1	TOP PANEL		1	1	1	1	
15	R 0 1 E 3 0 6 6 2	SIDE PANEL (L)		1	1	1	1	
16	T 7 W A 0 0 0 0 5	BRAND LABEL (ME)		1	1	1	1	
17	T 7 W A 1 0 0 0 5	BRAND LABEL (H2I)		1	1	1		

1-1. OUTDOOR UNIT STRUCTURAL PARTS
MXZ-8C60NA-U1

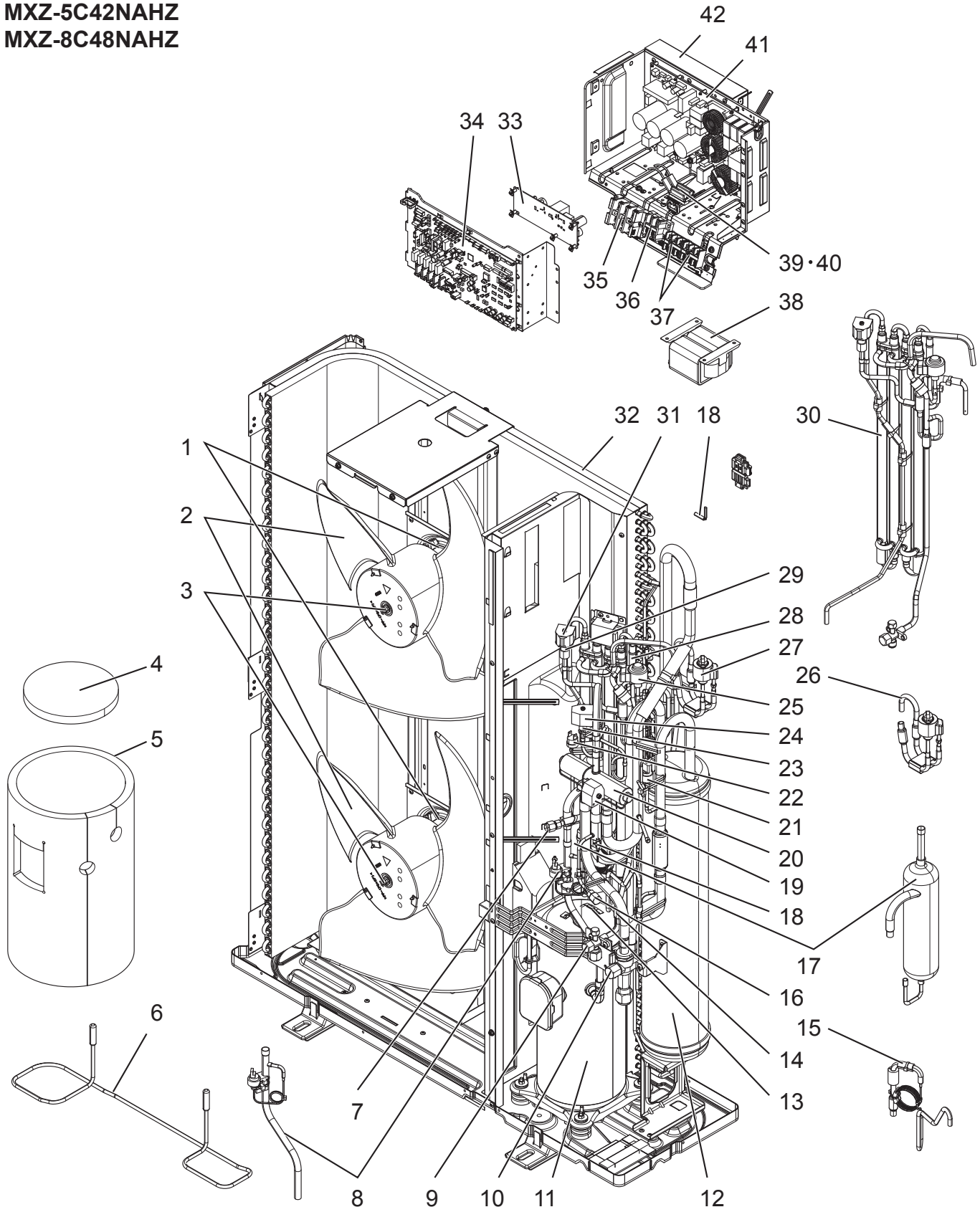




No.	Parts No.	Parts Name	Specification	Q'ty/unit	Remarks (Drawing No.)
				MXZ-8C60NA-U1	
1	R 0 1 E 0 2 6 3 1	ICE GUARD		2	
2	R 0 1 E 7 3 6 9 1	WIRE GRILLE		2	
3	R 0 1 E 2 3 6 6 8	FRONT PANEL		1	
4	R 0 1 E 5 3 6 8 6	BASE ASSY		1	
5	R 0 1 E 6 0 1 3 0	MOTOR SUPPORT		1	
6	T 7 W E 0 4 6 1 7	CONDUIT PLATE		1	
7	T 7 W E 2 0 6 6 8	SERVICE PANEL		1	
8	R 0 1 E 0 5 6 5 5	HANDLE (FRONT)		2	
9	R 0 1 E 3 5 6 5 8	COVER PANEL (FRONT)		1	
10	R 0 1 E 3 6 6 5 8	COVER PANEL (REAR)		1	
11	R 0 1 E 0 6 6 5 5	HANDLE (REAR)		2	
12	T 7 W E 3 6 6 6 1	SIDE PANEL(R)		1	
13	R 0 1 E 1 0 6 9 8	REAR GUARD		1	
14	R 0 1 E 3 6 6 4 1	TOP PANEL		1	
15	R 0 1 E 3 0 6 6 2	SIDE PANEL (L)		1	
16	T 7 W A 0 0 0 0 5	BRAND LABEL (ME)		1	

1-2. OUTDOOR UNIT FUNCTIONAL AND ELECTRICAL PARTS

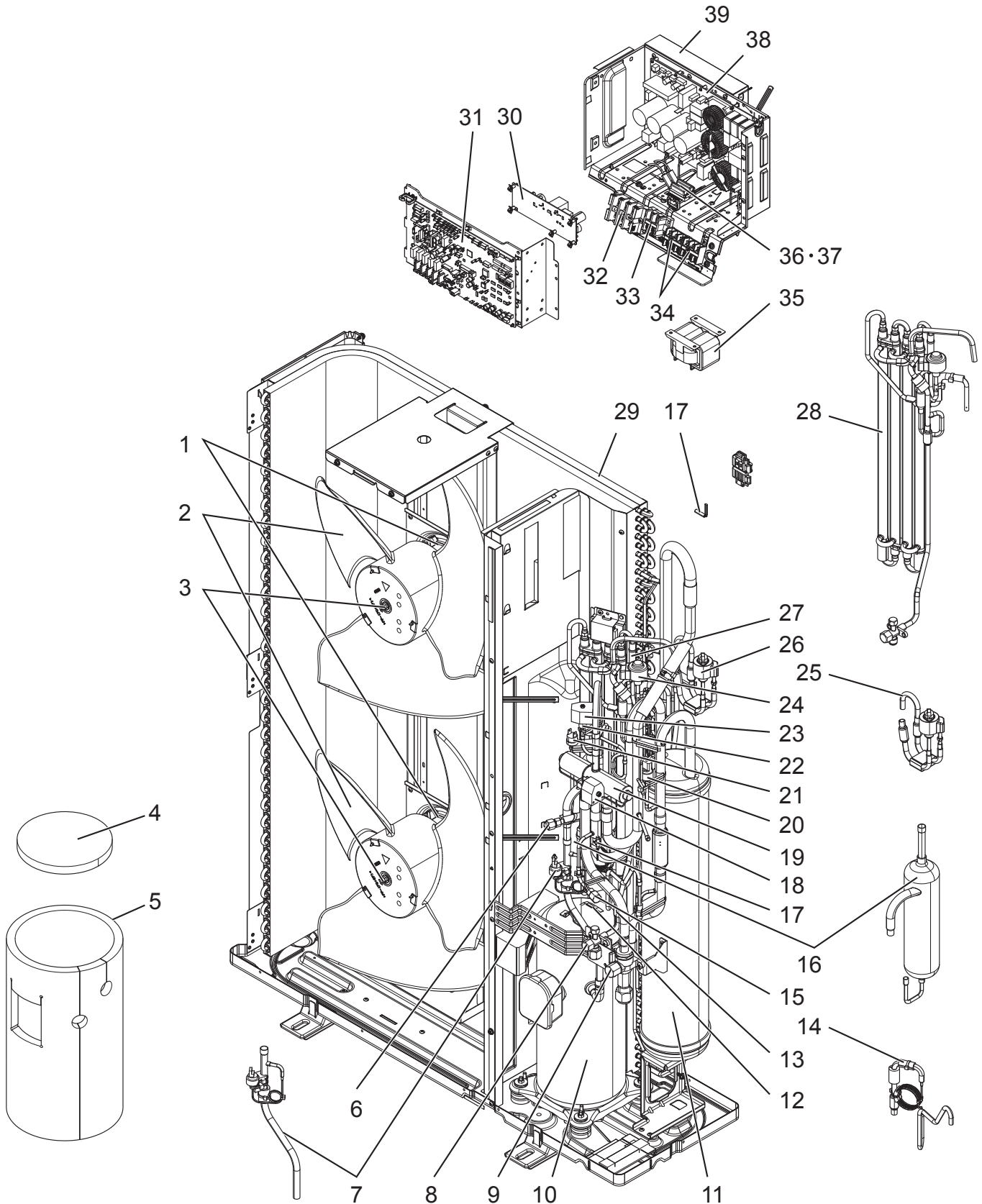
MXZ-4C36NAHZ
MXZ-5C42NAHZ
MXZ-8C48NAHZ



Parts numbers that are circled are not shown in the figure.

No.	Parts No.	Parts Name	Specification	Q'ty/unit			Remarks (Drawing No.)	Wiring Diagram Symbol	Recom- mended Q'ty
				MXZ-4C36NAHZ	MXZ-5C42NAHZ	MXZ-8C48NAHZ			
1	T7W A00 221	FAN MOTOR		2	2	2		MF1, 2	
2	R01 E16 115	PROPELLER FAN/D550		2	2	2			
3	R01 E09 097	NUT M6		2	2	2			
4	R01 A57 602	COMP FELT(TOP)		1	1	1			
5	R01 A70 602	COMP FELT(BODY)		1	1	1			
6	R01 E21 300	HEATER		1	1	1		BH	
7	R01 E28 413	CHARGE PLUG/ST		1	1	1			
8	R01 E11 208	H.P. SENSOR ASSY		1	1	1		63HS	
9	T7W E04 410	STOP VALVE 3/8 F	3/8"	1	1	1			
10	T7W E06 411	BALL VALVE 5/8 F	5/8"	1	1	1			
11	T97 443 077	COMPRESSOR	ANB33FJSMT	1	1	1	Includes RUBBERMOUNT	MC	
12	R01 E73 440	ACCUMULATOR		1	1	1			
13	R01 E36 201	THERMISTOR (SHELL)	Compressor	1	1	1		TH4	
14	R01 H97 202	THERMISTOR	Hic Pipe	1	1	1		TH2	
15	R01 E00 426	CT ASSY		1	1	1			
16	R01 E12 413	CHARGE PLUG/LB90		1	1	1			
17	R01 E15 490	OIL SEPARATOR		1	1	1			
18	R01 H99 202	THERMISTOR W	Suction Pipe, Ambient	1	1	1		TH6, 7	
19	T7W E70 242	SOLENOID COIL (21S4)		1	1	1		21S4	
20	R01 E40 403	4 WAY VALVE		1	1	1			
21	R01 E03 209	LOW PRESSURE SENSOR		1	1	1		63LS	
22	T7W E07 208	HIGH PRESSURE SWITCH		1	1	1		63H	
23	T7W E03 428	SOLENOID VALVE	Bypass Valve (SV1)	1	1	1			
24	T7W E71 242	SOLENOID COIL (SV)		1	1	1	CONNECTOR: GRAY	SV1	
25	R01 H22 242	COIL (LEV)/XAP-5P RED	CAM type	1	1	1	CONNECTOR: RED	LEV-B	
26	R01 H63 401	LEV ASSY-A/C-HIC		1	1	1	Includes LEV-A COIL		
27	R01 H21 242	COIL (LEV)/XAP-5P WH	UKV type	1	1	1	CONNECTOR: WHITE	LEV-A	
28	R01 H87 202	THERMISTOR	Outdoor Liquid Pipe	1	1	1		TH3	
29	R01 E16 428	SOLENOID VALVE	Bypass Valve (SV2)	1	1	1			
30	T7W E52 401	LEV ASSY HIC		1	1	1	Includes LEV-B COIL, SV2 COIL, and STOP VALVE		
31	T7W E72 242	SOLENOID COIL (SV)		1	1	1	CONNECTOR: BLUE	SV2	
32	T7W E74 408	HEAT EXCHANGER		1	1	1			
33	R01 E06 311	M-NET POWER BOARD		1	1	1		M-NET P.B.	
34	R01 M00 350	CONTROLLER BOARD		1	1	1		MULTI.B.	
35	T7W 603 246	T.B./L1.L2.GR	3P (L1,L2,GR)	1	1	1		TB1	
36	T7W E57 716	T.B./B1.B2	2P (B1,B2)	1	1	1		TB1B	
37	R01 E27 246	T.B./M1.M2.S	3P (M1,M2,S)	2	2	2		TB3,TB7	
38	T7W E23 259	REACTOR		1	1	1		DCL	
39	R01 E20 239	FUSE 20 A 250 V	20 A 250 V	2	2	2		FUSE1,2	
40	R01 30L 241	FUSE HOLDER		2	2	2			
41	T7W BE0 323	POWER BOARD		1	1	1		P.B.	
42	R01 A10 371	HEAT SINK		1	1	1			
43	R01 E35 510	LEAD ASSY COMP		1	1	1			
44	R01 E14 239	FUSE 6.3 A 250 V	6.3 A 250 V	2	2	2		F1,F2	

1-2. OUTDOOR UNIT FUNCTIONAL AND ELECTRICAL PARTS MXZ-8C48NA



Parts numbers that are circled are not shown in the figure.

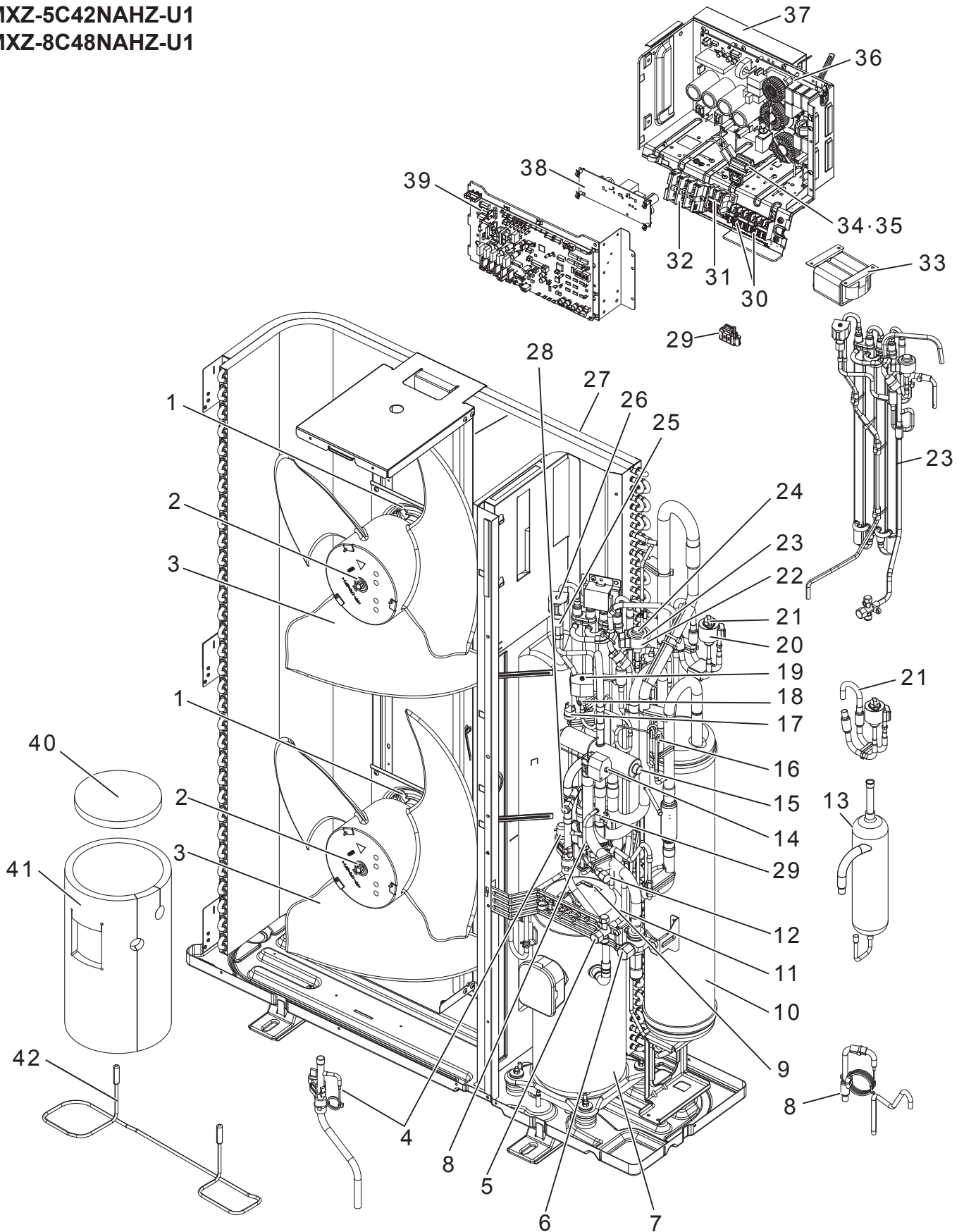
No.	Parts No.	Parts Name	Specification	Q'ty/unit	Remarks (Drawing No.)	Wiring Diagram Symbol	Recom- mended Q'ty
				MXZ-8C48NA			
1	T7W A00 221	FAN MOTOR		2		MF1, 2	
2	R01 E16 115	PROPELLER FAN/D550		2			
3	R01 E09 097	NUT M6		2			
4	R01 A57 602	COMP FELT(TOP)		1			
5	R01 A71 602	COMP FELT(BODY)		1			
6	R01 E28 413	CHARGE PLUG/ST		1			
7	R01 E11 208	H.P. SENSOR ASSY		1		63HS	
8	T7W E04 410	STOP VALVE 3/8 F	3/8"	1			
9	T7W E06 411	BALL VALVE 5/8 F	5/8"	1			
10	T97 435 077	COMPRESSOR	ANB33FNHMT	1	Includes RUBBERMOUNT	MC	
11	R01 E73 440	ACCUMULATOR		1			
12	R01 E36 201	THERMISTOR (SHELL)	Compressor	1		TH4	
13	R01 H97 202	THERMISTOR	Hic Pipe	1		TH2	
14	R01 E00 426	CT ASSY		1			
15	R01 E12 413	CHARGE PLUG/LB90		1			
16	R01 E15 490	OIL SEPARATOR		1			
17	R01 H99 202	THERMISTOR W	Suction Pipe, Ambient	1		TH6, 7	
18	T7W E70 242	SOLENOID COIL (21S4)		1		21S4	
19	R01 E40 403	4 WAY VALVE		1			
20	R01 E03 209	LOW PRESSURE SENSOR		1		63LS	
21	T7W E07 208	HIGH PRESSURE SWITCH		1		63H	
22	T7W E03 428	SOLENOID VALVE	Bypass Valve (SV1)	1			
23	T7W E71 242	SOLENOID COIL (SV)		1	CONNECTOR: GRAY	SV1	
24	R01 H22 242	COIL (LEV)/XAP-5P RED	CAM type	1	CONNECTOR: RED	LEV-B	
25	R01 H63 401	LEV ASSY-A/C-HIC		1	Includes LEV-A COIL		
26	R01 H21 242	COIL (LEV)/XAP-5P WH	UKV type	1	CONNECTOR: WHITE	LEV-A	
27	R01 H87 202	THERMISTOR	Outdoor Liquid Pipe	1		TH3	
28	T7W E53 401	LEV ASSY HIC		1	Includes LEV-B COIL and STOP VALVE		
29	T7W E74 408	HEAT EXCHANGER		1			
30	R01 E06 311	M-NET POWER BOARD		1		M-NET P.B.	
31	R01 M00 350	CONTROLLER BOARD		1		MULTI.B.	
32	T7W 603 246	T.B./L1.L2.GR	3P (L1,L2,GR)	1		TB1	
33	T7W E57 716	T.B./B1.B2	2P (B1,B2)	1		TB1B	
34	R01 E27 246	T.B./M1.M2.S	3P (M1,M2,S)	2		TB3,TB7	
35	R01 E51 259	REACTOR		1		DCL	
36	R01 E20 239	FUSE 20 A 250 V	20 A 250 V	2		FUSE1,2	
37	R01 30L 241	FUSE HOLDER		2			
38	R01 A92 353	POWER BOARD		1		P.B.	
39	R01 A10 371	HEAT SINK		1	Includes SCREWS		
40	R01 E35 510	LEAD ASSY COMP		1			
41	R01 E14 239	FUSE 6.3 A 250 V	6.3 A 250 V	2		F1,F2	

1-2. OUTDOOR UNIT FUNCTIONAL AND ELECTRICAL PARTS

MXZ-4C36NAHZ-U1

MXZ-5C42NAHZ-U1

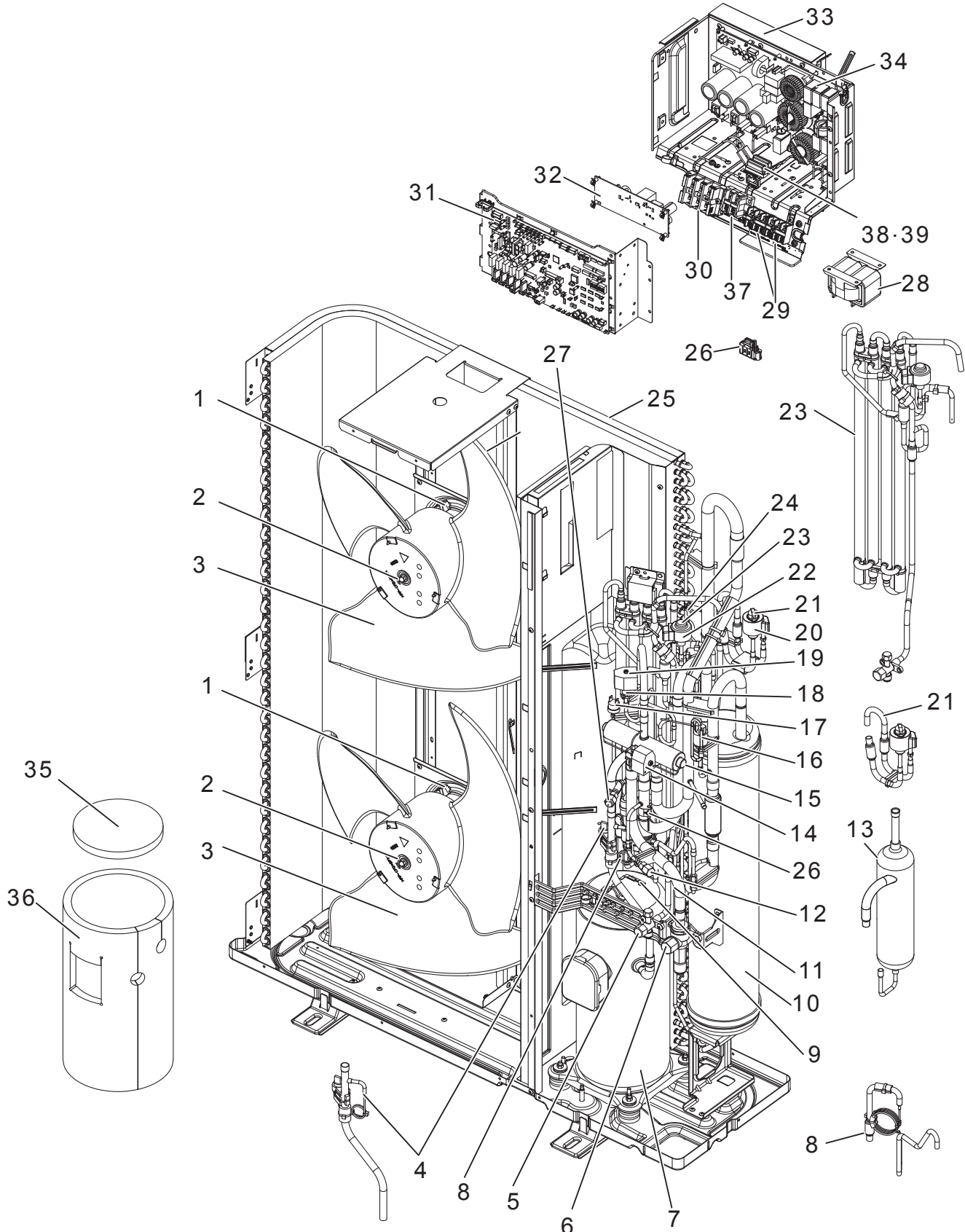
MXZ-8C48NAHZ-U1



Parts numbers that are circled are not shown in the figure.

No.	Parts No.	Parts Name	Specification	Q'ty/unit			Remarks (Drawing No.)	Wiring Diagram Symbol
				MXZ-4C36NAHZ-U1	MXZ-5C42NAHZ-U1	MXZ-8C48NAHZ-U1		
1	T7W A10 221	FAN MOTOR		2	2	2		MF1, MF2
2	R01 E09 097	NUT M6		2	2	2		
3	R01 E16 115	PROPELLER FAN/D550		2	2	2		
4	R01 E12 208	H.P. SENSOR ASSY		1	1	1		63HS
5	T7W E04 410	STOP VALVE 3/8F	3/8"	1	1	1		
6	T7W E06 411	BALL VALVE 5/8F	5/8"	1	1	1		
7	T97 443 077	COMPRESSOR	ANB33FJSMT	1	1	1	Includes RUBBERMOUNT	MC
8	R01 E00 426	CT ASSY		1	1	1		
9	R01 E36 201	THERMISTOR (SHELL)	Compressor	1	1	1		TH4
10	R01 E73 440	ACCUMULATOR		1	1	1		
11	R01 H97 202	THERMISTOR	Hic Pipe	1	1	1		TH2
12	R01 E12 413	CHARGE PLUG/LB90		1	1	1		
13	R01 E15 490	OIL SEPARATOR		1	1	1		
14	T7W E70 242	SOLENOID COIL (21S4)		1	1	1		21S4
15	R01 E40 403	4 WAY VALVE		1	1	1		
16	R01 E04 209	LOW PRESSURE SENSOR		1	1	1		63LS
17	T7W E15 208	H.P SWITCH UL4.14MPA		1	1	1		63H
18	T7W E03 428	SOLENOID VALVE	Bypass Valve(SV1)	1	1	1		
19	T7W E71 242	SOLENOID COIL (SV)		1	1	1	CONNECTOR: GRAY	SV1
20	R01 H21 242	COIL (LEV)/XAP-5P WH	UKV type	1	1	1	CONNECTOR: WHITE	LEV-A
21	R01 H63 401	LEV ASSY-A/C-HIC		1	1	1	Includes LEV COIL	
22	R01 H36 242	COIL (LEV)/XAP-5P RED	CAM type	1	1	1	CONNECTOR: RED	LEV-B
23	T7W E93 401	LEV ASSY HIC		1	1	1	Includes LEV COIL and STOP VALVE	
24	R01 H87 202	THERMISTOR	Outdoor Liquid Pipe	1	1	1		TH3
25	R01 E16 428	SOLENOID VALVE	Bypass Valve(SV2)	1	1	1		
26	T7W E72 242	SOLENOID COIL (SV)		1	1	1	CONNECTOR: BLUE	SV2
27	T7W E74 408	HEAT EXCHANGER		1	1	1		
28	T7W E13 413	CHARGE PLUG/LB54		1	1	1		
29	R01 H99 202	THERMISTOR W	Suction Pipe, Ambient	1	1	1	Combined Port	TH6, TH7
30	R01 E27 246	T.B./M1.M2.S	3P (M1, M2, S)	2	2	2		TB3, TB7
31	T7W E57 716	T.B./B1.B2	2P (B1, B2)	1	1	1		TB1B
32	T7W 603 246	T.B./L1.L2.GR	3P (L1, L2, GR)	1	1	1		TB1
33	T7W E23 259	REACTOR		1	1	1		DCL
34	R01 E20 239	FUSE 20 A 250 V	20 A 250 V	2	2	2		FUSE1,FUSE2
35	R01 30L 241	FUSE HOLDER		2	2	2		
36	T7W AU1 323	POWER BOARD		1	1	1		P.B.
37	R01 A10 371	HEAT SINK		1	1	1	Includes SCREWS	
38	R01 E06 311	M-NET POWER BOARD		1	1	1		M-NET P.B.
39	R01 M00 350	CONTROLLER BOARD		1	1	1		MULTI.B.
40	R01 A57 602	COMP FELT(TOP)		1	1	1		
41	R01 A70 602	COMP FELT (BODY)		1	1	1		
42	T7W B02 300	BASE HEATER		1	1	1		BH
(43)	R01 E45 510	LEAD ASSY COMP		1	1	1		
(44)	R01 E14 239	FUSE 6.3 A 250 V	6.3 A 250 V	2	2	2		F1, F2

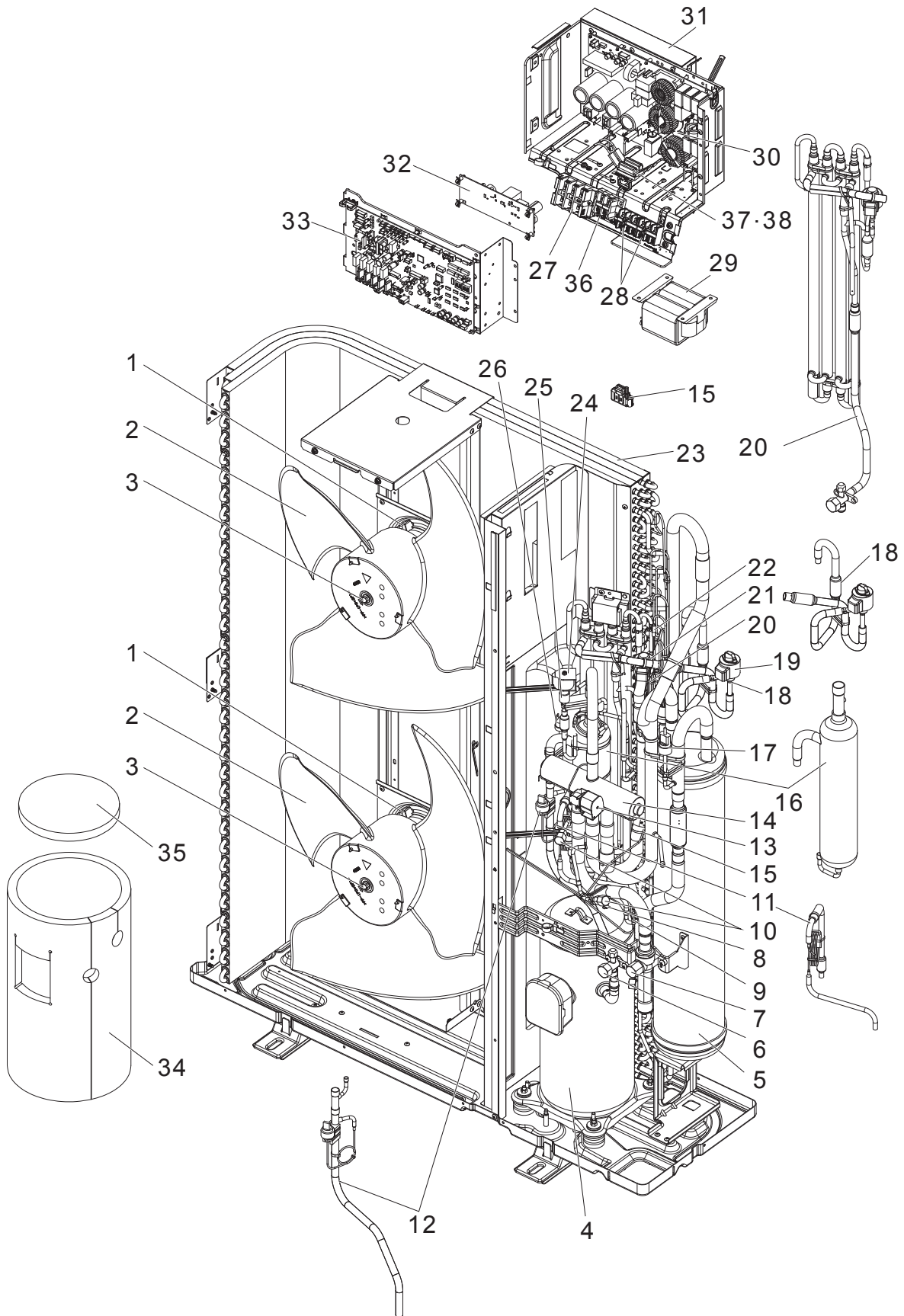
**1-2. OUTDOOR UNIT FUNCTIONAL AND ELECTRICAL PARTS
MXZ-8C48NA-U1**



Parts numbers that are circled are not shown in the figure.

No.	Parts No.	Parts Name	Specification	Q'ty/unit	Remarks (Drawing No.)	Wiring Diagram Symbol
				MXZ-8C48NA-U1		
1	T7W A10 221	FAN MOTOR		2		MF1, MF2
2	R01 E09 097	NUT M6		2		
3	R01 E16 115	PROPELLER FAN/D550		2		
4	R01 E12 208	H.P. SENSOR ASSY		1		63HS
5	T7W E04 410	STOP VALVE 3/8F	3/8"	1		
6	T7W E06 411	BALL VALVE 5/8F	5/8"	1		
7	T97 435 077	COMPRESSOR	ANB33FNHMT	1	Includes RUBBERMOUNT	MC
8	R01 E00 426	CT ASSY		1		
9	R01 E36 201	THERMISTOR (SHELL)	Compressor	1		TH4
10	R01 E73 440	ACCUMULATOR		1		
11	R01 H97 202	THERMISTOR	Hic Pipe	1		TH2
12	R01 E12 413	CHARGE PLUG/LB90		1		
13	R01 E15 490	OIL SEPARATOR		1		
14	T7W E70 242	SOLENOID COIL (21S4)		1		21S4
15	R01 E40 403	4 WAY VALVE		1		
16	R01 E04 209	LOW PRESSURE SENSOR		1		63LS
17	T7W E15 208	H.P SWITCH UL4.14MPA		1		63H
18	T7W E03 428	SOLENOID VALVE	Bypass Valve(SV1)	1		
19	T7W E71 242	SOLENOID COIL (SV)		1	CONNECTOR: GRAY	SV1
20	R01 H21 242	COIL (LEV)/XAP-5P WH	UKV type	1	CONNECTOR: WHITE	LEV-A
21	R01 H63 401	LEV ASSY-A/C-HIC		1	Includes LEV COIL	
22	R01 H36 242	COIL (LEV)/XAP-5P RED	CAM type	1	CONNECTOR: RED	LEV-B
23	T7W E80 401	LEV ASSY HIC		1	Includes LEV COIL and STOP VALVE	
24	R01 H87 202	THERMISTOR	Outdoor Liquid Pipe	1		TH3
25	T7W E74 408	HEAT EXCHANGER		1		
26	R01 H99 202	THERMISTOR W	Suction Pipe, Ambient	1	Combined Port	TH6, TH7
27	T7W E13 413	CHARGE PLUG/LB54		1		
28	R01 E51 259	REACTOR		1		DCL
29	R01 E27 246	T.B./M1.M2.S	3P (M1, M2, S)	2		TB3, TB7
30	T7W 603 246	T.B./L1.L2.GR	3P (L1, L2, GR)	1		TB1
31	R01 M00 350	CONTROLLER BOARD		1		MULTI.B.
32	R01 E06 311	M-NET POWER BOARD		1		M-NET P.B.
33	R01 A10 371	HEAT SINK		1	Includes SCREWS	
34	T7W AX1 323	POWER BOARD		1		P.B.
35	R01 A57 602	COMP FELT(TOP)		1		
36	R01 A71 602	COMP FELT (BODY)		1		
37	T7W E57 716	T.B./B1.B2	2P (B1, B2)	1		TB1B
38	R01 E20 239	FUSE 20 A 250 V	20 A 250 V	2		FUSE1,FUSE2
39	R01 30L 241	FUSE HOLDER		2		
40	R01 E45 510	LEAD ASSY COMP		1		
41	R01 E14 239	FUSE 6.3 A 250 V	6.3 A 250 V	2		F1, F2

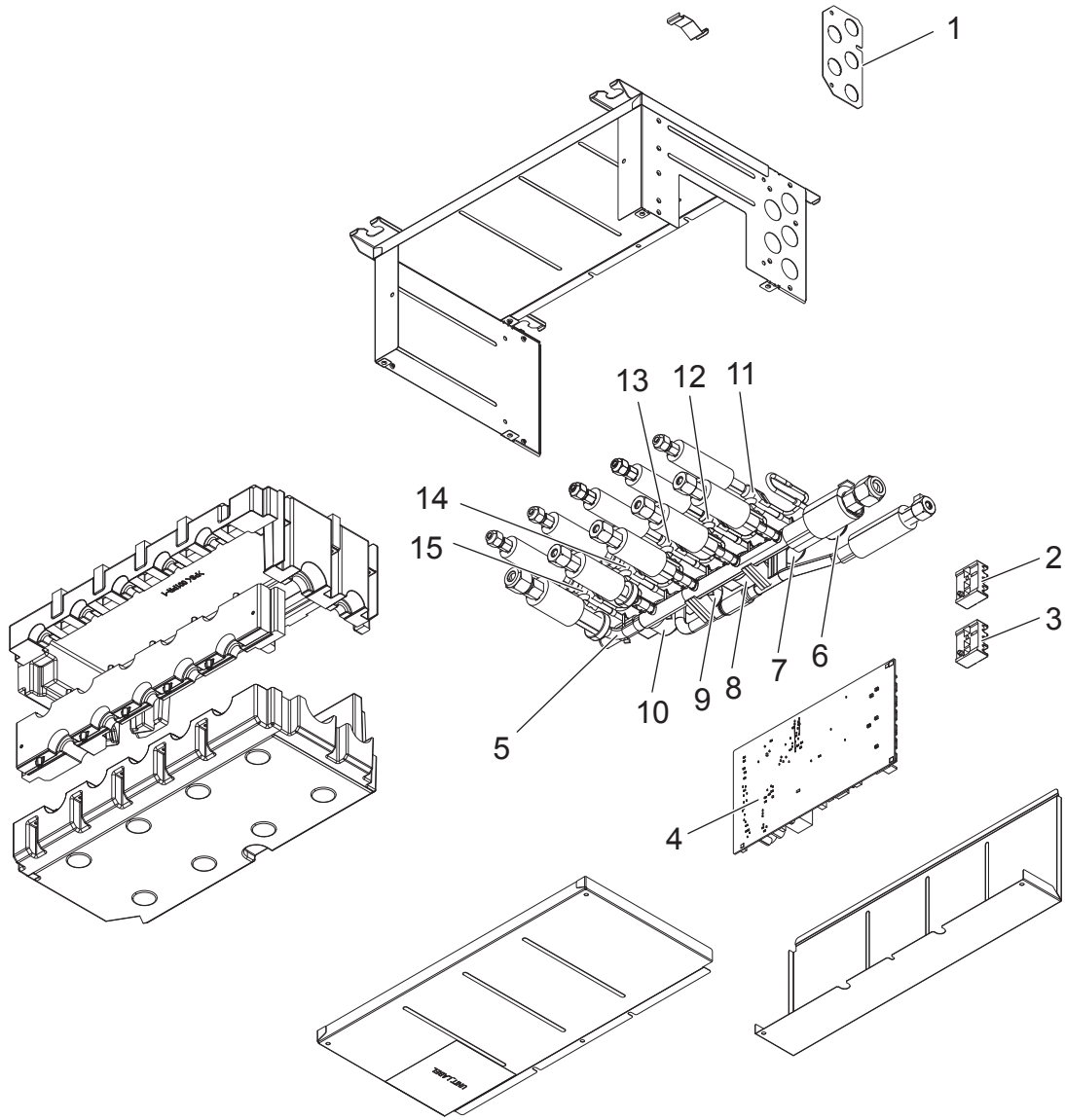
1-2. OUTDOOR UNIT FUNCTIONAL AND ELECTRICAL PARTS MXZ-8C60NA-U1



Parts numbers that are circled are not shown in the figure.

No.	Part No.	Part Name	Specification	Q'ty/unit	Remarks (Drawing No.)	Wiring Diagram Symbol
				MXZ-8C60NA-U1		
1	T7W A12 221	FAN MOTOR		2		MF1, 2
2	R01 E16 115	PROPELLER FAN/D550		2		
3	R01 E09 097	NUT M6		2		
4	T97 415 789	COMPRESSOR	ANB66FFZMT	1	Includes RUBBER MOUNT	MC
5	R01 E67 440	ACCUMULATOR		1		
6	T7W E04 410	STOP VALVE 3/8F	3/8" (LIQUID)	1		
7	T7W E07 411	BALL VALVE&STRAINER	3/4" (GAS)	1		
8	R01 E36 201	THERMISTOR (SHELL)	Compressor	1		TH4
9	R01 H97 202	THERMISTOR	Hic Pipe	1		TH2
10	R01 E12 413	CHARGE PLUG/LB90		2		
11	T7W A03 426	CT ASSY	ø2.5 × ø0.8 × 800mm	1		
12	T7W E12 208	H.P. SENSOR ASSY		1		63HS
13	T7W F00 242	SOLENOID COIL (21S4)		1		21S4
14	T7W E09 403	4 WAY VALVE		1		
15	R01 H99 202	THERMISTOR W	Suction Pipe, Ambient	1	Combiend Port	TH6, TH7
16	R01 E14 490	OIL SEPARATOR		1		
17	R01 E04 209	LOW PRESSURE SENSOR		1		63LS
18	T7W E61 401	LEV ASSY-A		1	Includes LEV COIL	
19	R01 H39 242	COIL (LEV)/XAP-5P WH	UKV type	1	CONNECTOR: WHITE	LEV-A
20	T7W E81 401	HIC & LEV-B ASSY		1	Includes LEV COIL and STOP VALVE	
21	R01 H32 242	COIL (LEV)/XAP-5P RED	CAM type	1	CONNECTOR: RED	LEV-B
22	R01 H87 202	THERMISTOR	Outdoor Liquid Pipe	1		TH3
23	T7W E82 408	HEAT EXCHANGER		1		
24	T7W E91 242	SOLENOID COIL (SV)		1	CONNECTOR: GRAY	SV1
25	T7W A04 426	SV-CT ASSY	Bypass Valve (SV1)	1		
26	T7W E15 208	H.P SWITCH UL4.14MPA		1		63H
27	T7W 603 246	T.B./L1.L2.GR	3P (L1, L2, GR)	1		TB1
28	R01 E27 246	T.B./M1.M2.S	3P (M1, M2, S)	2		TB3,TB7
29	T7W E23 259	REACTOR		1		DCL
30	T7W AY1 323	POWER BOARD		1		P.B.
31	R01 A10 371	HEAT SINK		1	Includes SCREWS	
32	R01 E06 311	M-NET POWER BOARD		1		M-NET P.B.
33	T7W M00 315	CONTROLLER BOARD		1		MULTI.B
34	R01 A71 602	COMP FELT (BODY)		1		
35	R01 A57 602	COMP FELT (TOP)		1		
36	T7W E57 716	T.B./B1.B2	2P (B1, B2)	1		TB1B
37	R01 E20 239	FUSE 20 A 250 V	20 A 250 V	2		FUSE1,FUSE2
38	R01 30L 241	FUSE HOLDER		2		
39	T7W A05 510	LEAD ASSY COMP		1		
40	R01 E14 239	FUSE 6.3 A 250 V	6.3 A 250 V	2		F1, F2

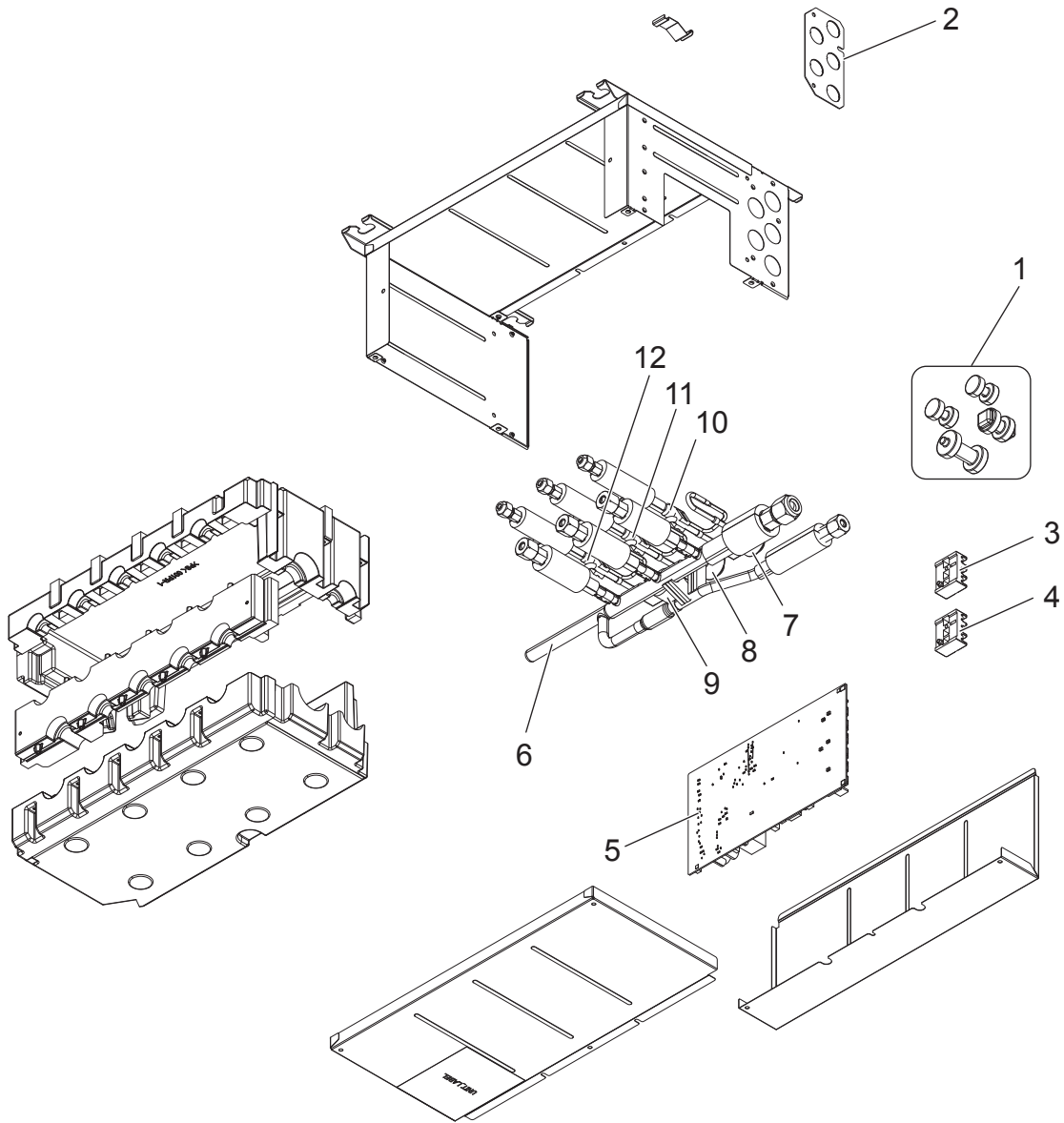
1-3. BRANCH BOX FUNCTIONAL PARTS
PAC-MKA50BC
PAC-MKA51BC



Parts numbers that are circled are not shown in the figure.

No.	Parts No.	Parts Name	Specification	Q'ty/unit		Remarks (Drawing No.)	Wiring Diagram Symbol
				PAC-MKA50BC	PAC-MKA51BC		
1	T7W E06 617	CONDUIT PLATE		1	1		
2	T7W E59 716	T.B./L1.L2	2P(L1, L2)	1	1		TB2B
3	T7W E60 716	T.B./M1.M2.S	3P(M1, M2, S)	1	1		TB5
4	T7W F18 310	CONTROLLER BOARD		1	1		B.C.
5	T7W E55 401	LEV ASSY MKA50BC		1	1		Includes coils
6	T7W E73 242	COIL(LEV)/XAP-5P WH		1	1	WHITE	LEV-A
7	T7W E74 242	COIL(LEV)/XAP-5P RED		1	1	RED	LEV-B
8	T7W E75 242	COIL(LEV)/XAP-5P BLU		1	1	BLUE	LEV-C
9	T7W E76 242	COIL(LEV)/XAP-5P BLK		1	1	BLACK	LEV-D
10	T7W E77 242	COIL(LEV)/XAP-5P GRN		1	1	GREEN	LEV-E
11	T7W E66 202	THERMISTOR-A		1	1	WHITE	TH-A
12	T7W E67 202	THERMISTOR-B		1	1	RED	TH-B
13	T7W E68 202	THERMISTOR-C		1	1	BLUE	TH-C
14	T7W E69 202	THERMISTOR-D		1	1	BLACK	TH-D
15	T7W E70 202	THERMISTOR-E		1	1	GREEN	TH-E
16	T7W H18 392	LEAD WIRE SET		1	1		
17	R01 E14 239	FUSE 6.3 A 250 V	6.3 A 250 V	1	1		F1
18	R01 E21 239	FUSE 10 A 250 V	10 A 250 V	3	3		F2,F3,F4
19	R01 E07 660	PIPE COVER SET		1	1	STEM	
20	R01 E08 660	PIPE COVER SET		1	1	BRANCH	

1-4. BRANCH BOX FUNCTIONAL PARTS
PAC-MKA30BC
PAC-MKA31BC



Parts numbers that are circled are not shown in the figure.

No.	Parts No.	Parts Name	Specification	Q'ty/unit		Remarks (Drawing No.)	Wiring Diagram Symbol
				PAC-MKA30BC	PAC-MKA31BC		
1	R 01 E 04 124	BUSH SET		1	1		
2	T 7W E 06 617	CONDUIT PLATE		1	1		
3	T 7W E 59 716	T.B./L1.L2	2P(L1, L2)	1	1		TB2B
4	T 7W E 60 716	T.B./M1.M2.S	3P(M1, M2, S)	1	1		TB5
5	T 7W F 17 310	CONTROLLER BOARD		1	1		B.C.
6	T 7W E 54 401	LEV ASSY MKA30BC		1	1		Includes coils
7	T 7W E 73 242	COIL(LEV)/XAP-5P WH		1	1	WHITE	LEV-A
8	T 7W E 74 242	COIL(LEV)/XAP-5P RED		1	1	RED	LEV-B
9	T 7W E 75 242	COIL(LEV)/XAP-5P BLU		1	1	BLUE	LEV-C
10	T 7W E 66 202	THERMISTOR-A		1	1	WHITE	TH-A
11	T 7W E 67 202	THERMISTOR-B		1	1	RED	TH-B
12	T 7W E 68 202	THERMISTOR-C		1	1	BLUE	TH-C
13	T 7W H 18 392	LEAD WIRE SET		1	1		
14	R 01 E 14 239	FUSE 6.3 A 250 V	6.3 A 250 V	1	1		F1
15	R 01 E 21 239	FUSE 10 A 250 V	10 A 250 V	2	2		F2,F3
16	R 01 E 07 660	PIPE COVER SET		1	1	STEM	
17	R 01 E 08 660	PIPE COVER SET		1	1	BRANCH	

2

OPTIONAL PARTS

2-1. FOR OUTDOOR UNIT

Parts name	Parts No.
DRAIN SOCKET*	PAC-SG61DS-E
AIR OUTLET GUIDE*¹	PAC-SH96SG-E
DRAIN PAN*	PAC-SH97DP-E
2-BRANCH PIPE (Joint) (In case of using 2-branch boxes)*²	MSDD-50AR-E (flare)
	MSDD-50BR-E (brazing)
BASE HEATER	PAC-SJ20BH-E

*It cannot be used with a base heater.

*¹ Need 2 pieces.

*² Select a joint according to the connection method.

2-2. FOR BRANCH BOX

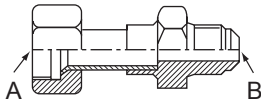
Different-diameter joint

Part No.	Connected pipes diameter	Diameter A	Diameter B
	mm	mm	mm
MAC-A454JP-E	ø9.52 → ø12.7	ø9.52	ø12.7
MAC-A455JP-E	ø12.7 → ø9.52	ø12.7	ø9.52
MAC-A456JP-E	ø12.7 → ø15.88	ø12.7	ø15.88
PAC-493PI	ø6.35 → ø9.52	ø6.35	ø9.52
PAC-SG76RJ-E	ø9.52 → ø15.88	ø9.52	ø15.88
PAC-SG75RJ-E	ø15.88 → ø19.05	ø15.88	ø19.05

<Reference>

Conversion formula

1/4 inch	ø6.35 mm
3/8 inch	ø9.52 mm
1/2 inch	ø12.7 mm
5/8 inch	ø15.88 mm
3/4 inch	ø19.05 mm



MITSUBISHI ELECTRIC CORPORATION

HEAD OFFICE: TOKYO BUILDING, 2-7-3, MARUNOUCHI, CHIYODA-KU, TOKYO100-8310, JAPAN