



PARTS CATALOG

[Model Name]
<Outdoor unit>

MXZ-4C36NAHZ

MXZ-5C42NAHZ

MXZ-8C48NAHZ

MXZ-8C48NA

<Branch box>

PAC-MKA50BC

PAC-MKA30BC

(Indispensable optional parts for MXZ-4C36/5C42/8C48NAHZ and MXZ-8C48NA)

[Service Ref.]

MXZ-4C36NAHZ

MXZ-5C42NAHZ

MXZ-8C48NAHZ

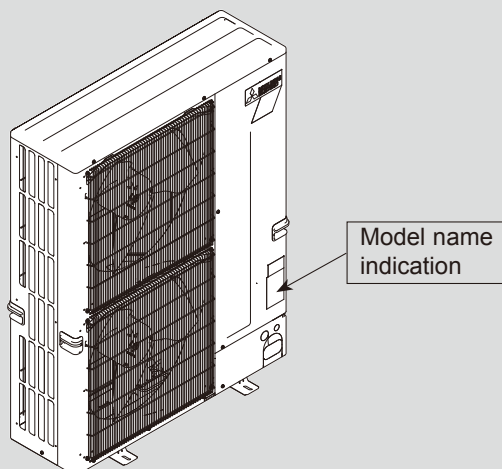
MXZ-8C48NA

PAC-MKA50BC

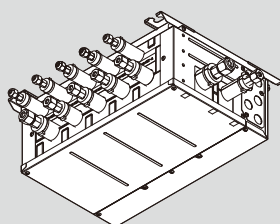
PAC-MKA30BC

Note:

- RoHS compliant products have <G> mark on the spec name plate.



OUTDOOR UNIT: MXZ-4C36NAHZ



BRANCH BOX: PAC-MKA50BC

CONTENTS

1. RoHS PARTS LIST.....2
2. OPTIONAL PARTS.....14

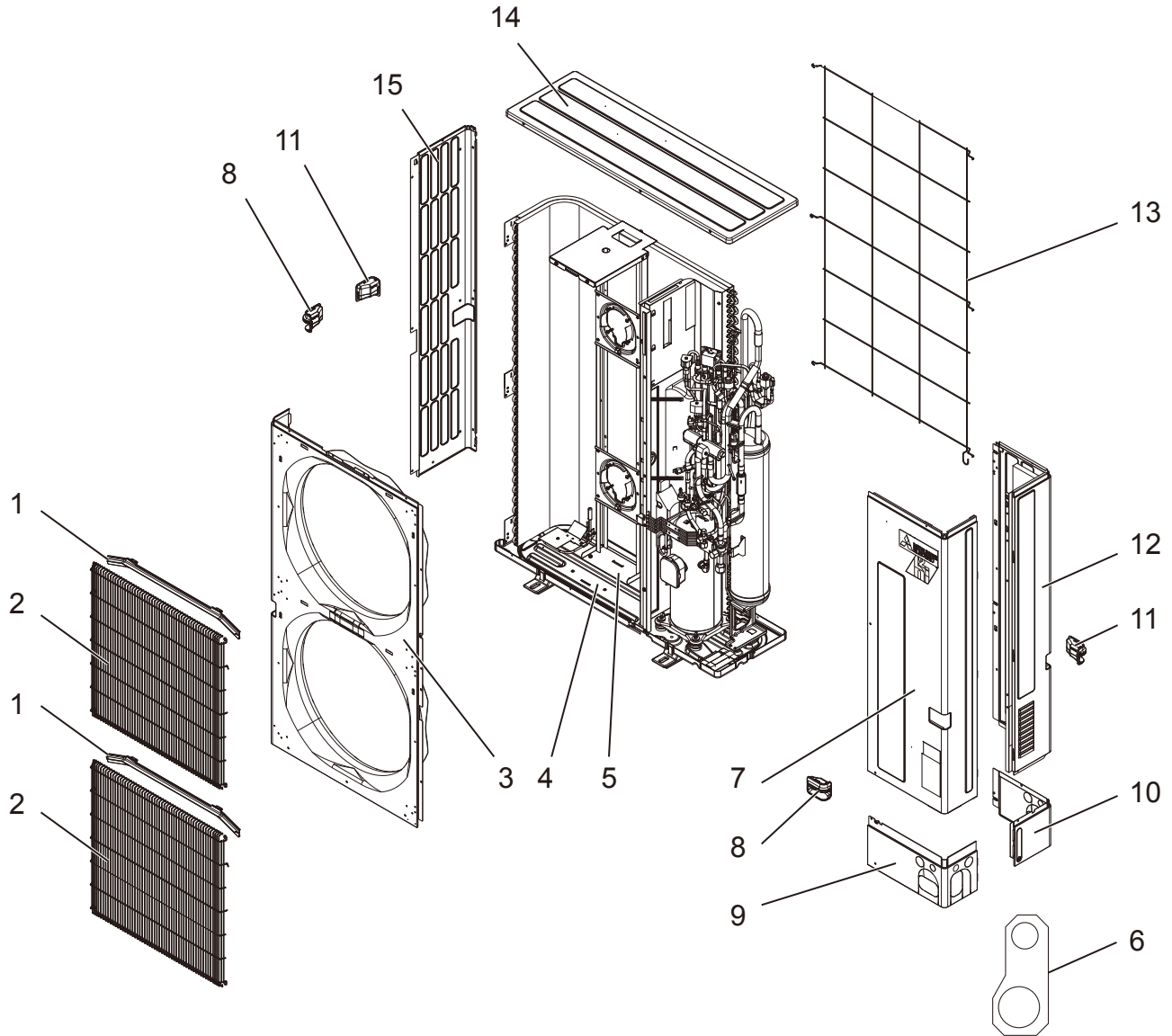
SERVICE MANUAL (OCH573)

1-1. OUTDOOR UNIT STRUCTURAL PARTS

MXZ-4C36NAHZ

MXZ-5C42NAHZ

MXZ-8C48NAHZ

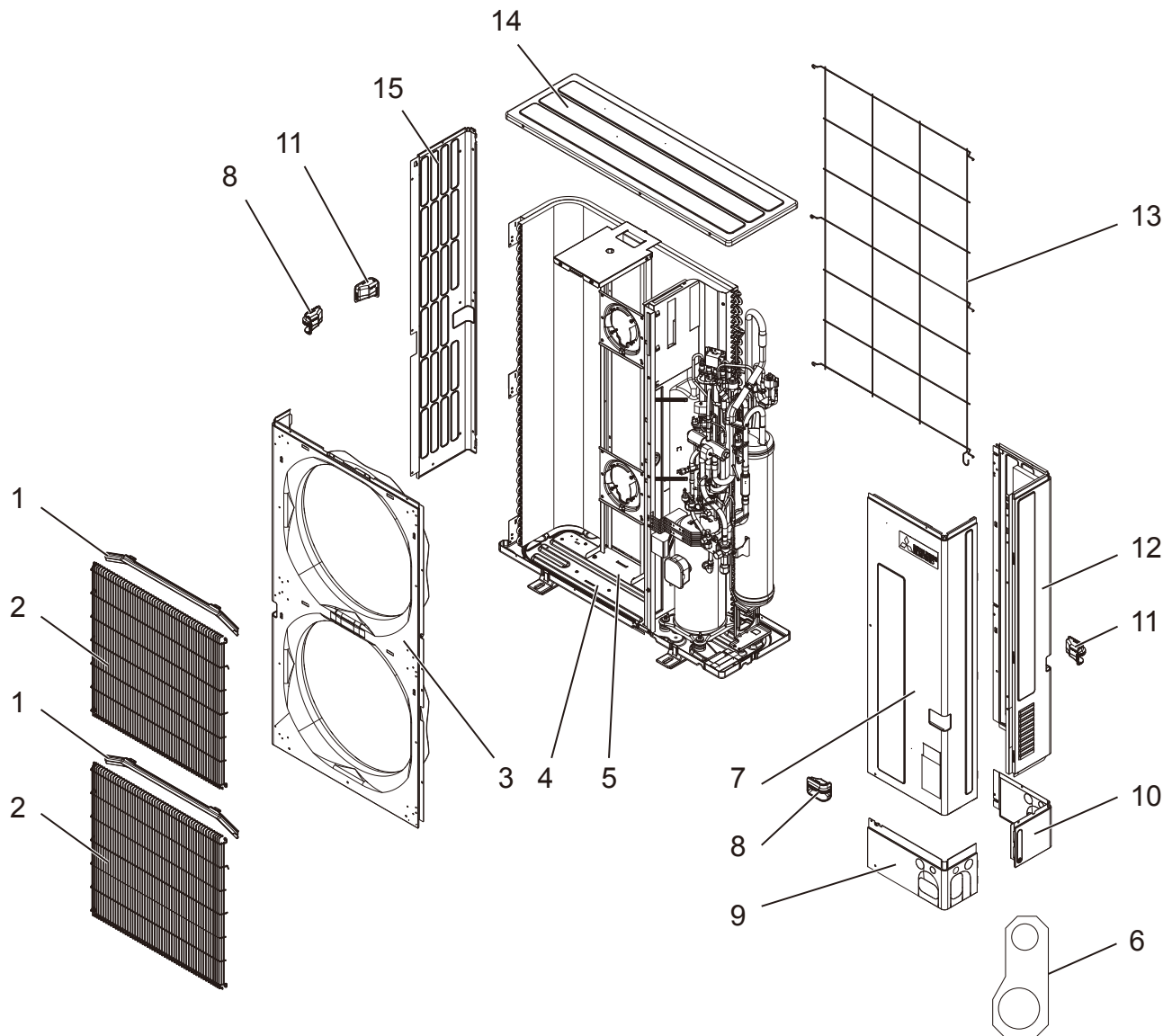


RoHS PARTS LIST

No.	RoHS	Parts No.	Parts Name	Specification	Q'ty/unit			Remarks (Drawing No.)	Wiring Diagram Symbol	Recom- mended Q'ty
					MXZ-4C36NAHZ	MXZ-5C42NAHZ	MXZ-8C48NAHZ			
1	G	R01 E02 631	ICE GUARD		2	2	2			
2	G	R01 E73 691	WIRE GRILLE		2	2	2			
3	G	R01 E23 668	FRONT PANEL		1	1	1			
4	G	R01 E53 686	BASE ASSY		1	1	1			
5	G	R01 E59 130	MOTOR SUPPORT		1	1	1			
6	G	T7W E05 617	CONDUIT PLATE		1	1	1			
7	G	T7W E20 668	SERVICE PANEL		1	1	1			
8	G	R01 E05 655	HANDLE (FRONT)		2	2	2			
9	G	R01 E35 658	COVER PANEL (FRONT)		1	1	1			
10	G	R01 E36 658	COVER PANEL (REAR)		1	1	1			
11	G	R01 E06 655	HANDLE (REAR)		2	2	2			
12	G	R01 E55 661	SIDE PANEL (R)		1	1	1			
13	G	R01 E10 698	REAR GUARD		1	1	1			
14	G	R01 E36 641	TOP PANEL		1	1	1			
15	G	R01 E30 662	SIDE PANEL (L)		1	1	1			

RoHS PARTS LIST

1-1. OUTDOOR UNIT STRUCTURAL PARTS MXZ-8C48NA



RoHS PARTS LIST

No.	RoHS	Parts No.	Parts Name	Specification	Q'ty/unit		Remarks (Drawing No.)	Wiring Diagram Symbol	Recom- mended Q'ty
						MXZ-8C48NA			
1	G	R01 E02 631	ICE GUARD			2			
2	G	R01 E73 691	WIRE GRILLE			2			
3	G	R01 E23 668	FRONT PANEL			1			
4	G	R01 E53 686	BASE ASSY			1			
5	G	R01 E59 130	MOTOR SUPPORT			1			
6	G	T7W E05 617	CONDUIT PLATE			1			
7	G	T7W E20 668	SERVICE PANEL			1			
8	G	R01 E05 655	HANDLE (FRONT)			2			
9	G	R01 E35 658	COVER PANEL (FRONT)			1			
10	G	R01 E36 658	COVER PANEL (REAR)			1			
11	G	R01 E06 655	HANDLE (REAR)			2			
12	G	R01 E55 661	SIDE PANEL (R)			1			
13	G	R01 E10 698	REAR GUARD			1			
14	G	R01 E36 641	TOP PANEL			1			
15	G	R01 E30 662	SIDE PANEL (L)			1			

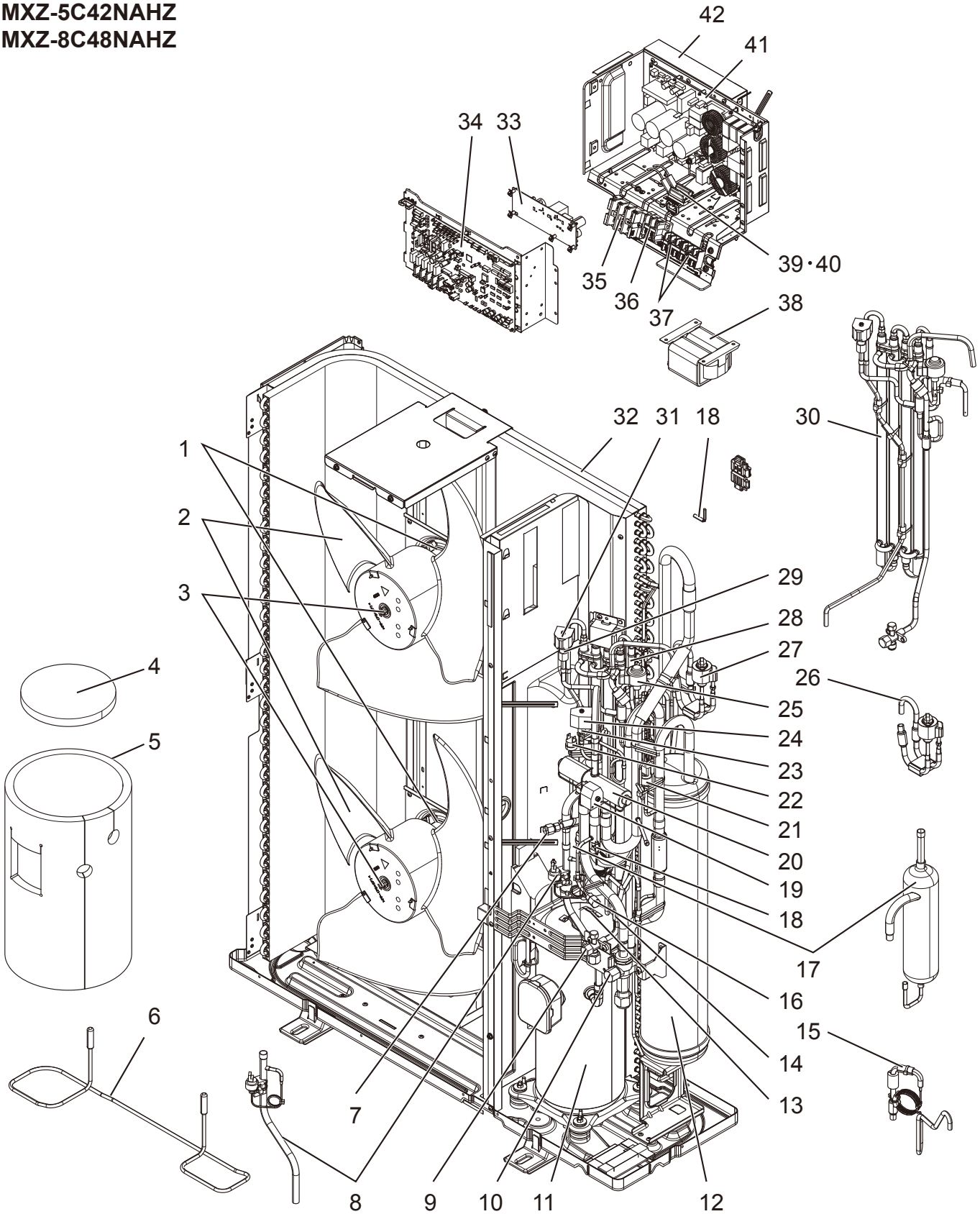
RoHS PARTS LIST

1-2. OUTDOOR UNIT FUNCTIONAL AND ELECTRICAL PARTS

MXZ-4C36NAHZ

MXZ-5C42NAHZ

MXZ-8C48NAHZ



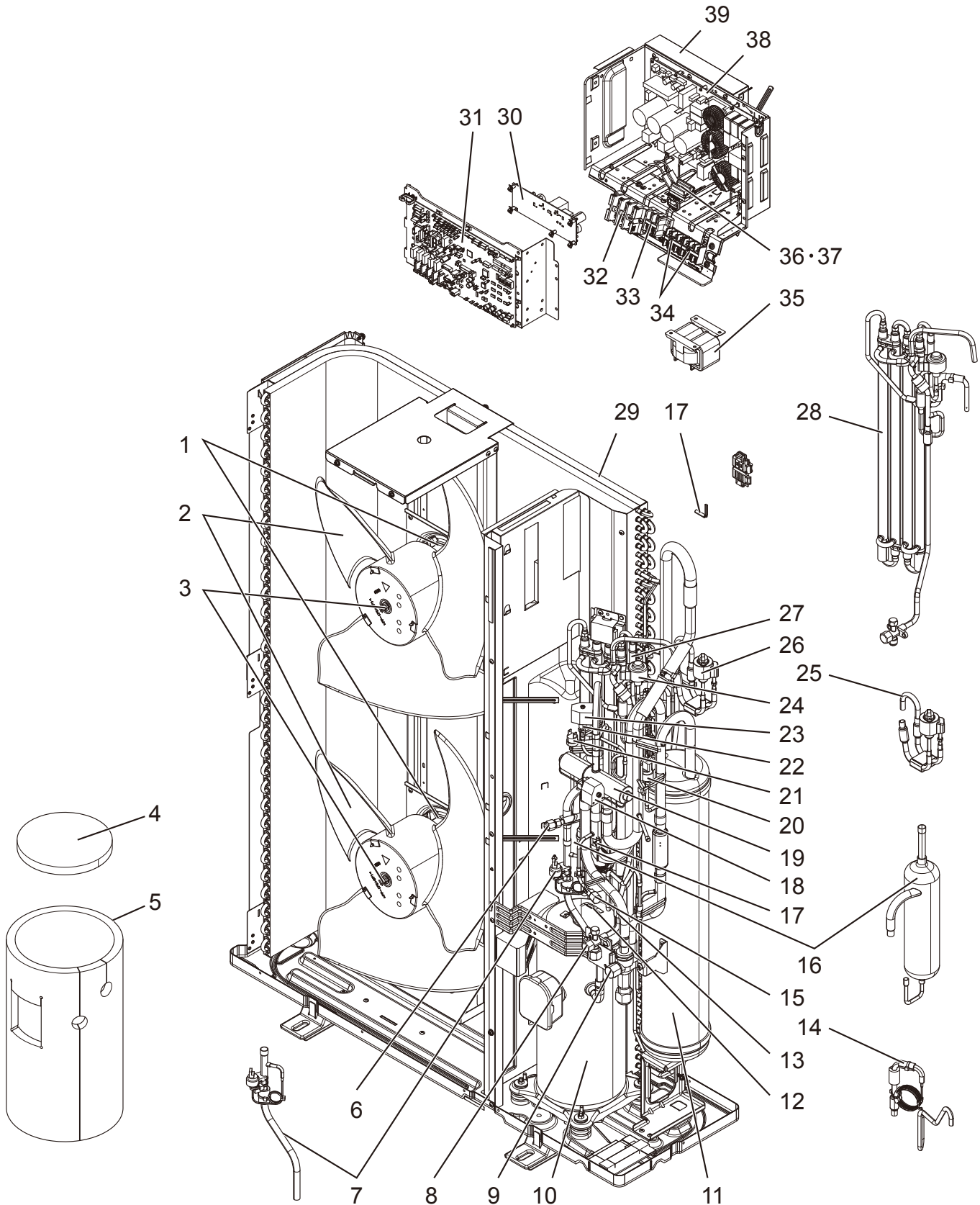
RoHS PARTS LIST

Parts numbers that are circled are not shown in the figure.

No.	RoHS	Parts No.	Parts Name	Specification	Q'ty/unit			Remarks (Drawing No.)	Wiring Diagram Symbol	Recom- mended Q'ty
					MXZ-4C36NAHZ	MXZ-5C42NAHZ	MXZ-8C48NAHZ			
1	G	T7W A00 221	FAN MOTOR		2	2	2		MF1, 2	
2	G	R01 E14 115	PROPELLER FAN		2	2	2			
3	G	R01 E09 097	NUT		2	2	2			
4	G	R01 A57 602	COMP FELT(TOP)		1	1	1			
5	G	R01 A70 602	COMP FELT(BODY)		1	1	1			
6	G	R01 E21 300	HEATER		1	1	1		BH	
7	G	R01 E28 413	CHARGE PLUG		1	1	1			
8	G	R01 E11 208	HIGH PRESSURE SENSOR ASSY		1	1	1		63HS	
9	G	T7W E04 410	STOP VALVE	3/8	1	1	1			
10	G	T7W E06 411	BALL VALVE	5/8	1	1	1			
11	G	T97 443 077	COMPRESSOR	ANB33FJSMT	1	1	1	Including RUBBERMOUNT	MC	
12	G	R01 E73 440	ACCUMULATOR		1	1	1			
13	G	R01 E30 201	SHELL THERMISTOR	Compressor	1	1	1		TH4	
14	G	R01 H97 202	THERMISTOR	Hic Pipe	1	1	1		TH2	
15	G	R01 E00 426	CT ASSY		1	1	1			
16	G	R01 E12 413	CHARGE PLUG		1	1	1			
17	G	R01 E15 490	OIL SEPARATOR		1	1	1			
18	G	R01 H99 202	THERMISTOR W	Suction Pipe, Ambient	1	1	1		TH6, 7	
19	G	T7W E70 242	SOLENOID COIL		1	1	1		21S4	
20	G	R01 E40 403	4-WAY VALVE		1	1	1			
21	G	R01 E03 209	LOW PRESSURE SENSOR		1	1	1		63LS	
22	G	T7W E07 208	HIGH PRESSURE SWITCH		1	1	1		63H	
23	G	T7W E03 428	SOLENOID VALVE	Bypass Valve (SV1)	1	1	1			
24	G	T7W E71 242	SOLENOID COIL		1	1	1	GRAY	SV1	
25	G	R01 H22 242	LEV COIL	CAM type	1	1	1	RED	LEV-B	
26	G	R01 H63 401	LEV-A ASSY		1	1	1	Including LEV-A COIL		
27	G	R01 H21 242	LEV COIL	UKV type	1	1	1	WHITE	LEV-A	
28	G	R01 H87 202	THERMISTOR	Outdoor Liquid Pipe	1	1	1		TH3	
29	G	R01 E16 428	SOLENOID VALVE	Bypass Valve (SV2)	1	1	1			
30	G	T7W E52 401	LEV ASSY HIC		1	1	1	Including LEV-B COIL, SV2 COIL, and STOP VALVE		
31	G	T7W E72 242	SOLENOID COIL		1	1	1	BLUE	SV2	
32	G	T7W E74 408	HEAT EXCHANGER		1	1	1			
33	G	R01 E06 311	M-NET POWER BOARD		1	1	1		M-NET P.B.	
34	G	R01 AM1 350	CONTROLLER BOARD		1	1	1		MULTI.B.	
35	G	T7W 603 246	TERMINAL BLOCK	3P (L1,L2,GR)	1	1	1		TB1	
36	G	T7W E57 716	TERMINAL BLOCK	2P (B1,B2)	1	1	1		TB1B	
37	G	R01 E27 246	TERMINAL BLOCK	3P (M1,M2,S)	2	2	2		TB3,TB7	
38	G	T7W E23 259	REACTOR		1	1	1		DCL	
39	G	R01 E20 239	FUSE	250V 20A	2	2	2		FUSE1,2	
40	G	R01 30L 241	FUSE HOLDER		2	2	2			
41	G	R01 A80 353	POWER BOARD		1	1	1		P.B.	
42	G	R01 A10 371	HEAT SINK		1	1	1			
④③	G	R01 E35 510	LEAD ASSY COMP		1	1	1			
④④	G	R01 E14 239	FUSE	250V 6.3A	2	2	2		F1,F2	

RoHS PARTS LIST

1-2. OUTDOOR UNIT FUNCTIONAL AND ELECTRICAL PARTS MXZ-8C48NA



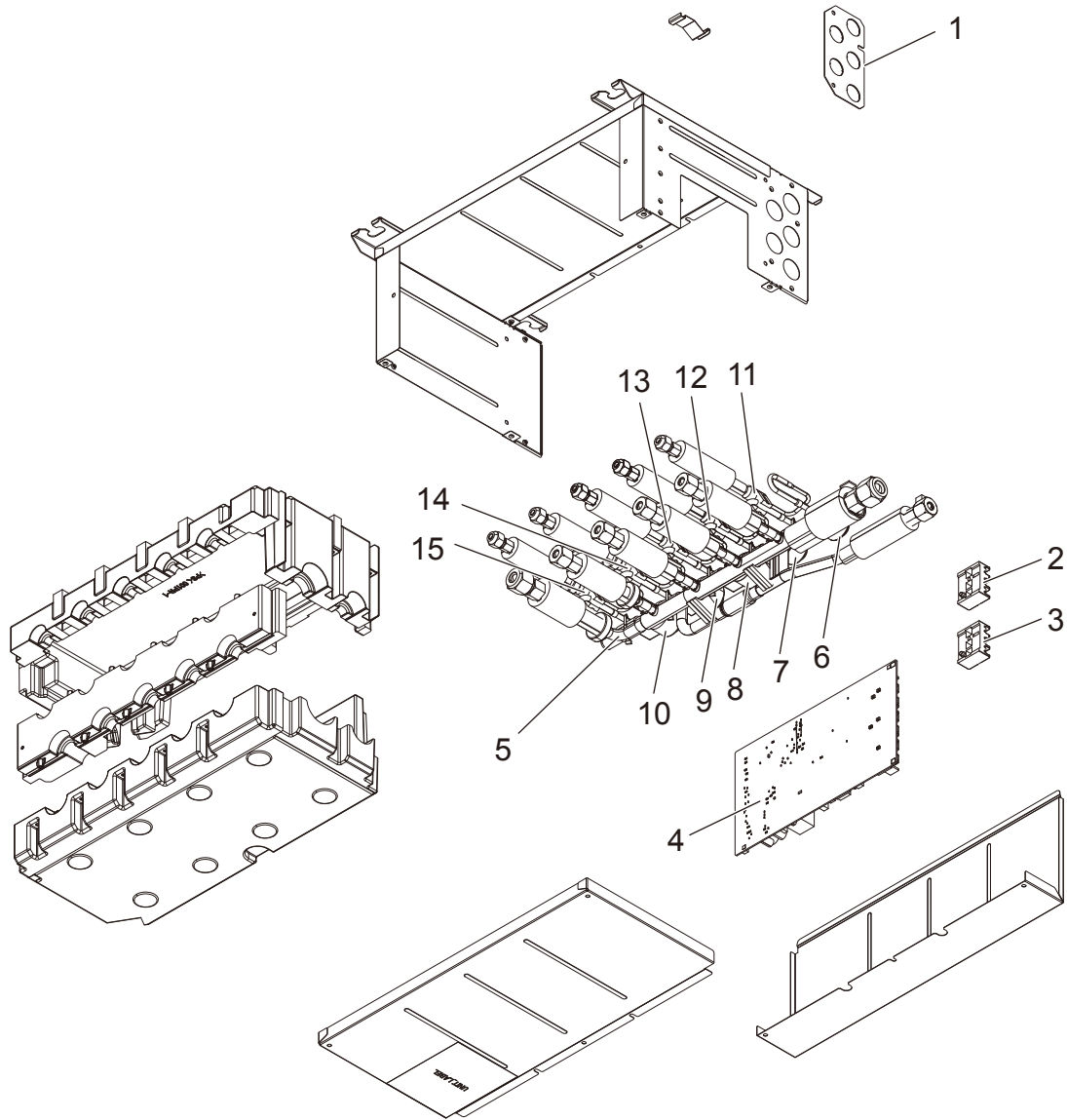
RoHS PARTS LIST

Parts numbers that are circled are not shown in the figure.

No.	RoHS	Parts No.	Parts Name	Specification	Q'ty/unit	Remarks (Drawing No.)	Wiring Diagram Symbol	Recom- mended Q'ty
					MXZ-8C48NA			
1	G	T7W A00 221	FAN MOTOR		2		MF1, 2	
2	G	R01 E14 115	PROPELLER FAN		2			
3	G	R01 E09 097	NUT		2			
4	G	R01 A57 602	COMP FELT(TOP)		1			
5	G	R01 A71 602	COMP FELT(BODY)		1			
6	G	R01 E28 413	CHARGE PLUG		1			
7	G	R01 E11 208	HIGH PRESSURE SENSOR ASSY		1		63HS	
8	G	T7W E04 410	STOP VALVE	3/8	1			
9	G	T7W E06 411	BALL VALVE	5/8	1			
10	G	T97 435 077	COMPRESSOR	ANB33FNHMT	1	Including RUBBERMOUNT	MC	
11	G	R01 E73 440	ACCUMULATOR		1			
12	G	R01 E30 201	SHELL THERMISTOR	Compressor	1		TH4	
13	G	R01 H97 202	THERMISTOR	Hic Pipe	1		TH2	
14	G	R01 E00 426	CT ASSY		1			
15	G	R01 E12 413	CHARGE PLUG		1			
16	G	R01 E15 490	OIL SEPARATOR		1			
17	G	R01 H99 202	THERMISTOR W	Suction Pipe, Ambient	1		TH6, 7	
18	G	T7W E70 242	SOLENOID COIL		1		21S4	
19	G	R01 E40 403	4-WAY VALVE		1			
20	G	R01 E03 209	LOW PRESSURE SENSOR		1		63LS	
21	G	T7W E07 208	HIGH PRESSURE SWITCH		1		63H	
22	G	T7W E03 428	SOLENOID VALVE	Bypass Valve (SV1)	1			
23	G	T7W E71 242	SOLENOID COIL		1	GRAY	SV1	
24	G	R01 H22 242	LEV COIL	CAM type	1	RED	LEV-B	
25	G	R01 H63 401	LEV-A ASSY		1	Including LEV-A COIL		
26	G	R01 H21 242	LEV COIL	UKV type	1	WHITE	LEV-A	
27	G	R01 H87 202	THERMISTOR	Outdoor Liquid Pipe	1		TH3	
28	G	T7W E53 401	LEV ASSY HIC		1	Including LEV-B COIL and STOP VALVE		
29	G	T7W E74 408	HEAT EXCHANGER		1			
30	G	R01 E06 311	M-NET POWER BOARD		1		M-NET P.B.	
31	G	R01 AM1 350	CONTROLLER BOARD		1		MULTI.B.	
32	G	T7W 603 246	TERMINAL BLOCK	3P (L1,L2,GR)	1		TB1	
33	G	T7W E57 716	TERMINAL BLOCK	2P (B1,B2)	1		TB1B	
34	G	R01 E27 246	TERMINAL BLOCK	3P (M1,M2,S)	2		TB3,TB7	
35	G	R01 E51 259	REACTOR		1		DCL	
36	G	R01 E20 239	FUSE	250V 20A	2		FUSE1,2	
37	G	R01 30L 241	FUSE HOLDER		2			
38	G	R01 A90 353	POWER BOARD		1		P.B.	
39	G	R01 A10 371	HEAT SINK		1			
40	G	R01 E35 510	LEAD ASSY COMP		1			
41	G	R01 E14 239	FUSE	250V 6.3A	2		F1,F2	

RoHS PARTS LIST

1-3. BRANCH BOX FUNCTIONAL PARTS PAC-MKA50BC



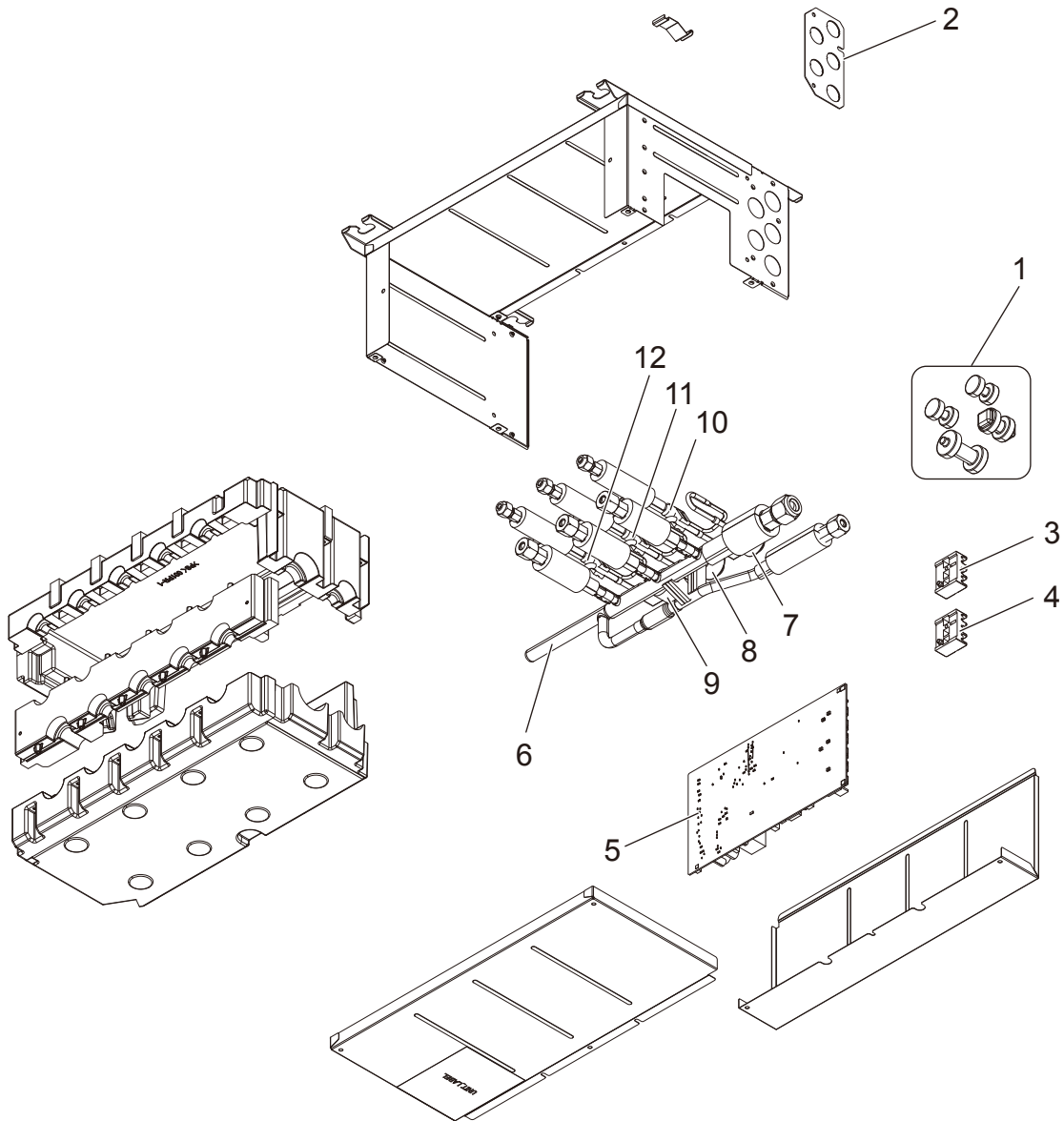
RoHS PARTS LIST

Parts numbers that are circled are not shown in the figure.

No.	RoHS	Parts No.	Parts Name	Specification	Q'ty/unit	Remarks (Drawing No.)	Wiring Diagram Symbol
					PAC-MKA50BC		
1	G	T7W E06 617	CONDUIT PLATE		1		
2	G	T7W E59 716	TERMINAL BLOCK	2P(L1, L2)	1		TB2B
3	G	T7W E60 716	TERMINAL BLOCK	3P(M1, M2, S)	1		TB5
4	G	T7W F04 310	CONTROLLER BOARD		1		B.C.
5	G	T7W E55 401	LEV ASSY MKA50BC		1		Including coils
6	G	T7W E73 242	COIL(LEV)		1	WHITE	LEV-A
7	G	T7W E74 242	COIL(LEV)		1	RED	LEV-B
8	G	T7W E75 242	COIL(LEV)		1	BLUE	LEV-C
9	G	T7W E76 242	COIL(LEV)		1	BLACK	LEV-D
10	G	T7W E77 242	COIL(LEV)		1	GREEN	LEV-E
11	G	T7W E66 202	THERMISTOR-A		1	WHITE	TH-A
12	G	T7W E67 202	THERMISTOR-B		1	RED	TH-B
13	G	T7W E68 202	THERMISTOR-C		1	BLUE	TH-C
14	G	T7W E69 202	THERMISTOR-D		1	BLACK	TH-D
15	G	T7W E70 202	THERMISTOR-E		1	GREEN	TH-E
16	G	T7W A00 392	LEAD WIRE SET		1		
17	G	R01 E14 239	FUSE	6.3A 250V	1		F1
18	G	R01 E21 239	FUSE	10A 250V	3		F2,F3,F4
19	G	R01 E07 660	STEM PIPE COVER SET		1		
20	G	R01 E08 660	BRANCH PIPE COVER SET		1		

RoHS PARTS LIST

1-4. BRANCH BOX FUNCTIONAL PARTS PAC-MKA30BC



RoHS PARTS LIST

Part numbers that are circled are not shown in the figure.

No.	RoHS	Parts No.	Parts Name	Specification	Q'ty/unit	Remarks (Drawing No.)	Wiring Diagram Symbol
					PAC-MKA30BC		
1	G	R01 E04 124	BUSH SET		1		
2	G	T7W E06 617	CONDUIT PLATE		1		
3	G	T7W E59 716	TERMINAL BLOCK	2P(L1, L2)	1		TB2B
4	G	T7W E60 716	TERMINAL BLOCK	3P(M1, M2, S)	1		TB5
5	G	T7W F03 310	CONTROLLER BOARD		1		B.C.
6	G	T7W E54 401	LEV ASSY MKA30BC		1		Including coils
7	G	T7W E73 242	COIL(LEV)		1	WHITE	LEV-A
8	G	T7W E74 242	COIL(LEV)		1	RED	LEV-B
9	G	T7W E75 242	COIL(LEV)		1	BLUE	LEV-C
10	G	T7W E66 202	THERMISTOR-A		1	WHITE	TH-A
11	G	T7W E67 202	THERMISTOR-B		1	RED	TH-B
12	G	T7W E68 202	THERMISTOR-C		1	BLUE	TH-C
13	G	T7W A00 392	LEAD WIRE SET		1		
14	G	R01 E14 239	FUSE	6.3A 250V	1		F1
15	G	R01 E21 239	FUSE	10A 250V	2		F2,F3
16	G	R01 E07 660	STEM PIPE COVER SET		1		
17	G	R01 E08 660	BRANCH PIPE COVER SET		1		

2

OPTIONAL PARTS

2-1. FOR OUTDOOR UNIT

DRAIN SOCKET

Parts No.	PAC-SH71DS-E
-----------	--------------

AIR OUTLET GUIDE

Parts No.	PAC-SH96SG-E
-----------	--------------

Note: Need 2 pieces.

DRAIN PAN

Parts No.	PAC-SH97DP-E
-----------	--------------

2-BRANCH PIPE (Joint) (In case of using 2-branch boxes)

Parts No.	Connection method
MSDD-50AR-E	flare
MSDD-50BR-E	brazing

Note: Select a joint according to the connection method.

BASE HEATER

Parts No.	PAC-SJ20BH-E
-----------	--------------

2-2. FOR BRANCH BOX

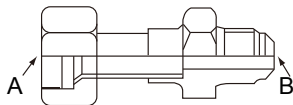
Different-diameter joint

Part No.	Connected pipes diameter	Diameter A	Diameter B
	mm		
MAC-A454JP	$\phi 9.52 \rightarrow \phi 12.7$	$\phi 9.52$	$\phi 12.7$
MAC-A455JP	$\phi 12.7 \rightarrow \phi 9.52$	$\phi 12.7$	$\phi 9.52$
MAC-A456JP	$\phi 12.7 \rightarrow \phi 15.88$	$\phi 12.7$	$\phi 15.88$
PAC-493PI	$\phi 6.35 \rightarrow \phi 9.52$	$\phi 6.35$	$\phi 9.52$
PAC-SG76RJ-E	$\phi 9.52 \rightarrow \phi 15.88$	$\phi 9.52$	$\phi 15.88$

<Reference>

Conversion formula

1/4 inch	$\phi 6.35\text{mm}$
3/8 inch	$\phi 9.52\text{mm}$
1/2 inch	$\phi 12.7\text{mm}$
5/8 inch	$\phi 15.88\text{mm}$
3/4 inch	$\phi 19.05\text{mm}$



Branch Box Outer Cover (for outdoor installation)

Parts No.	PAC-AK350CVR-E
-----------	----------------

MITSUBISHI ELECTRIC CORPORATION

HEAD OFFICE : TOKYO BLDG., 2-7-3, MARUNOUCHI, CHIYODA-KU, TOKYO 100-8310, JAPAN