

STANDARD CONSTRUCTION
BODY:

GRV: 26 GAUGE G-90 GALVANIZED STEEL SHEET

ARV: 0.018" 3003H14 ALUMINUM SHEET (ONLY AVAILABLE IN 4" DIAMETER STANDARD AND EXTRA-TALL MODELS)

UNIVERSAL FLANGE

OPTIONS:

CUSTOM SIZES AVAILABLE

COLLAR (ADD A "C" TO THE END OF THE MODEL NUMBER)

DAMPER (ADD A "D" TO THE END OF THE MODEL NUMBER)

COLLAR AND DAMPER (ADD A "CD" TO THE END OF THE MODEL NUMBER)

STANDARD SIZES:

MODEL	WIDTH (W)	HEIGHT (H)	FLANGE (F)	BASE (B)	VENT DEPTH (VD)	VENT HEIGHT (VH)	VENT OPENING (SQ. IN)	COLLAR OPTION (DIA)
GRV4 / ARV4	4"	6 1/4"	2 1/2"	7"	2 3/4"	3"	11.4	4"
GRV4T		9"	2 1/2"	7"	2 3/4"	6"	11.4	
GRV4XT / ARV4XT		14 1/8"	3"	10"	4 3/4"	10 1/4"	19.6	
GRV6	6"	6 1/4"	2 1/2"	7"	2 3/4"	3"	16.9	6"
GRV6T		9"	2 1/2"	7"	4 3/4"	6"	16.9	
GRV6XT		14 1/8"	3"	10"	4 3/4"	10 1/4"	29.1	
GRV10	10"	9"	2 1/2"	7"	2 3/4"	6"	27.9	7"
GRV10T		11 3/4"	3"	9 3/8"	4 3/4"	8"	48.1	
GRV10XT		14 1/8"	3"	10"	4 3/4"	10 1/4"	48.1	

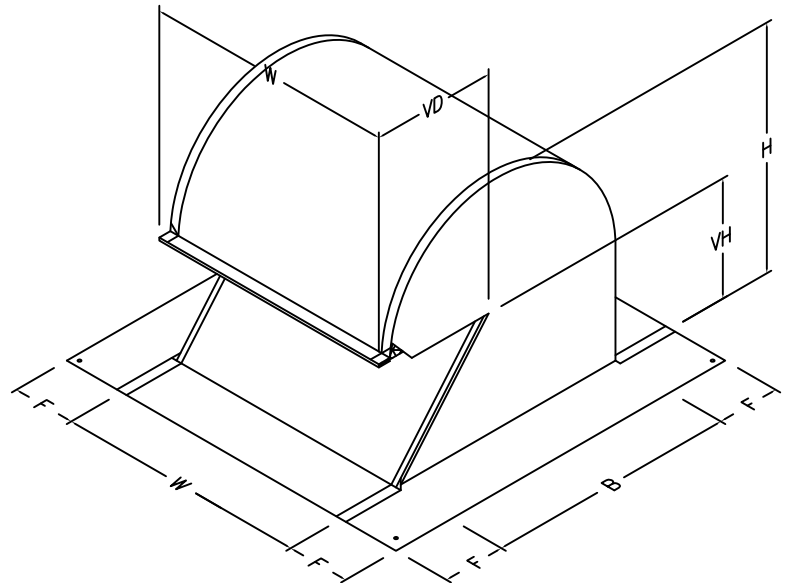
FEATURES

BIRDSCREEN STANDARD ON ALL ROOF VENTS, UNLESS ORDERED WITH DAMPER.

26 GAUGE GALVANIZED STEEL OR 0.018" ALUMINUM SHEET PROVIDE EXCELLENT CORROSION RESISTANCE AND LONGEVITY.

SEALED SEAMS KEEP OUT THE ELEMENTS.

FLANGED BASE PROVIDES FOR GOOD VENT-TO-ROOF CONTACT AND AN EASY CAULKING SURFACE.



*NOTE: MAXIMUM B-DIMENSION IS 10", EVEN IF THE W-DIMENSION IS GREATER.

JOB NAME:
LOCATION:
ARCHITECT:
ENGINEER:
CONTRACTOR:
CONTACT MIAMI TECH INC. FOR ADDITIONAL INFORMATION OR WITH SPECIAL REQUIREMENTS. 3611 NW 74TH ST MIAMI, FL 33147 PHONE: 305-693-7054 FAX: 305-693-6152 WEB: WWW.MIAMITECH.COM EMAIL: SALES@MIAMITECH.COM

GRV, ARV

 GALVANIZED/ALUMINUM ROOF VENT
 PRODUCT SPECIFICATIONS

NOTE: ALL DRAWINGS SUBJECT TO CHANGE WITHOUT PRIOR NOTICE.