



**STANDARD CONSTRUCTION**

BODY:  
16 GAUGE ASTM A-653 HOT-DIPPED  
GALVANIZED STEEL SHEET

STANDARD SIZES:

MODEL	WIDTH (W)	DEPTH (D)	FILTER SPACE	STANDARD FILTER SIZE (WxDxH)
FFR18.5TEM3	19"	21 1/4"	18"	18"X20"X1"
FFR23.5TEM3	24"	22 1/4"	22"	22"X20"X1"
FFRD18.5TEM3	19"	21 1/4"	18"	18"X20"X1"
FFRD23.5TEM3	24"	22 1/4"	22"	22"X20"X1"

**FEATURES**

16 GAUGE GALVANIZED STEEL PROVIDES EXCELLENT CORROSION RESISTANCE AND LONGEVITY.

WELDED CONSTRUCTION FOR ADDED STRENGTH.

PRE-PUNCHED HOLES FOR EASY FASTENING TO AIR HANDLER OR BASE.

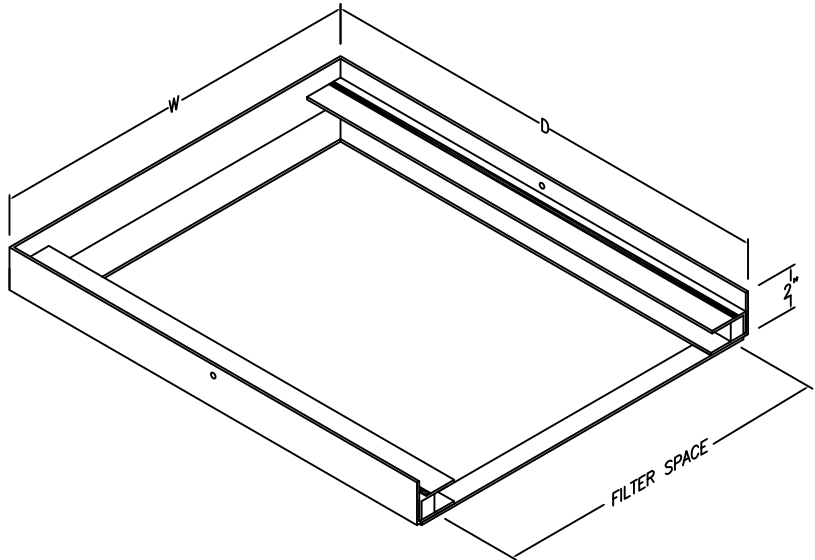
RUBBER STRIPS INCLUDED TO MINIMIZE VIBRATION.

1" STANDARD SIZE DISPOSABLE FILTER INCLUDED.

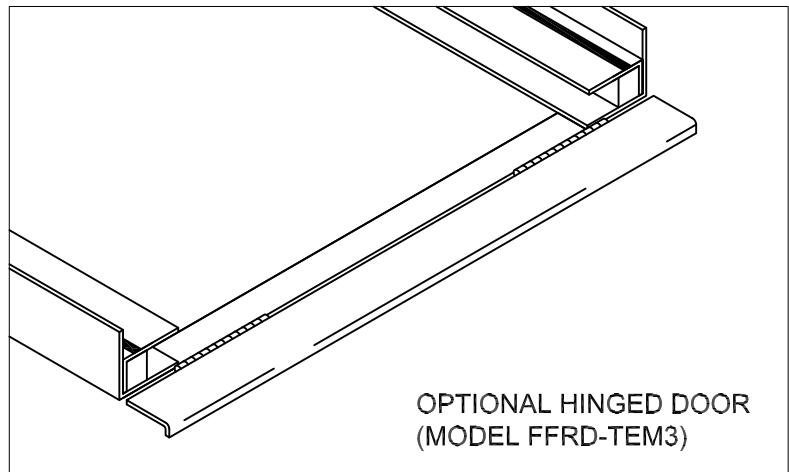
THE FFR-TEM3 FAMILY HAS BEEN DESIGNED FOR TRANE AND AMERICAN STANDARD AIR HANDLER UNITS. OTHER CUSTOM SIZES ARE AVAILABLE UPON REQUEST.

MODEL FFRD-TEM3: FILTER RACK WITH HINGED FRONT DOOR.

OPTIONS: CUSTOM SIZES AVAILABLE.



JOB NAME:
LOCATION:
ARCHITECT:
ENGINEER:
CONTRACTOR:
CONTACT MIAMI TECH INC. FOR ADDITIONAL INFORMATION OR WITH SPECIAL REQUIREMENTS.
3611 NW 74TH ST MIAMI, FL 33147
PHONE: 305-693-7054 FAX: 305-693-6152
WEB: WWW.MIAMITECH.COM EMAIL: SALES@MIAMITECH.COM



OPTIONAL HINGED DOOR (MODEL FFRD-TEM3)

**FFR-XXTEM3**

**FIXED FILTER RACK FOR TRANE/AMERICAN STANDARD  
PRODUCT SPECIFICATIONS**

NOTE: ALL DRAWINGS SUBJECT TO CHANGE WITHOUT PRIOR NOTICE.



DRAWN BY:	AV
CHECKED BY:	IG

DATE:	5/22/2013
DATE:	

SCALE:	NOT TO SCALE
REVISION:	A

DRAWING NO.	FFR-TEM3
-------------	----------