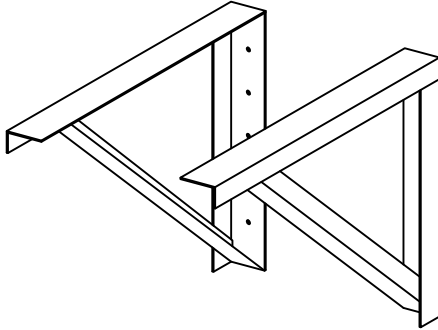


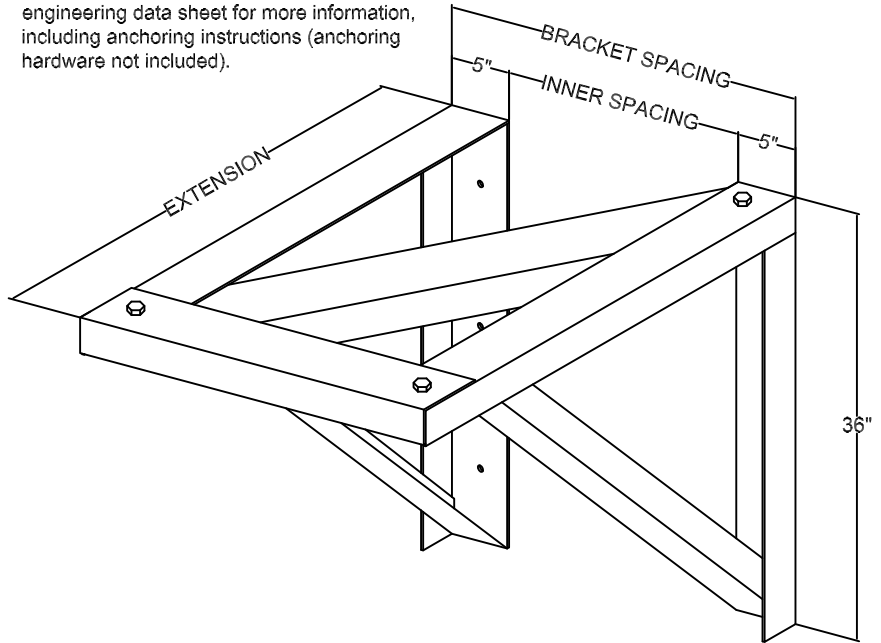
AWB10

Wall mounting bracket system for non wind load requirement applications.



AWB10 - Wind Load Rated

Aluminum Wall Bracket (AWB10xxx-WLRxx) for wall mounting of condensing units in areas requiring wind load rating. These wall brackets have a design pressure rating of 60 psf. See engineering data sheet for more information, including anchoring instructions (anchoring hardware not included).



PART NO	EXTENSION	BRACKET SPACING	INNER SPACING	MAX UNIT SIZE (HxW)
AWB104836	48"	36"	26"	-
AWB103636	36"	30"	20"	-
AWB103036	30"	24"	14"	-
AWB104836-WLR36	48"	36"	26"	45"x48"
AWB103636-WLR30	36"	30"	20"	36"x36"
AWB103036-WLR24	30"	24"	14"	30"x30"

INSTALLATION:

Brackets must be anchored to substrate with five (5) anchors per bracket, equally spaced - 6" on center, and 6" from ends. See engineering data sheet for specific substrate anchor requirements. Anchors not included.

The condensing unit is to be mounted to the bracket using two (2) MTI cutd-1 tie-down clips per corner. Use four (4) #14 screws to attached condensing unit to each clip, and one (1) screw to attach each clip to the bracket.

See engineering data sheet for more details.

AWB10

ALUMINUM CONDENSING UNIT WALL BRACKET
PRODUCT INFORMATION SHEET