

HM700A1000 ELECTRODE STEAM HUMIDIFIER

QUICK START GUIDE

MOUNTING

Mounting Procedure

1. The HM700 humidifier is wall mounted using a key-hole located on the back of the humidifier.
2. Use #8 x 2 in. (5 cm) screws mounted into 2x4 studs or better if there is drywall or other spacers. Two screws are needed, one for hanging the unit and one for securing it so it will not lift off the keyhole.
3. Install the top screw so that 1/4 in. (6 mm) is exposed. Raise the unit and place the screw head through the keyhole.
4. Make sure the unit is level and then insert and tighten the second screw through the bottom hole. Tighten the top screw.

Mounting Requirements

Honeywell does not accept responsibility for installation code violations.

1. Install as close as possible to the steam distributor.
2. Minimize the use of turn or bends in the steam line as much as feasibly possible.
3. Mount on a suitable wall or vertical surface. Do not sit the on the floor, where freezing can occur, or on vibrating surfaces.
4. Allow clearances for plumbing and electrical connections. Consult local and national codes prior to final location and installation.
5. Install only in areas with ambient temperature 41-104 °F (5-40 °C), and relative humidity 5-95 % (noncondensing).
6. When possible, mount the HM700 humidifier at a height convenient for servicing.

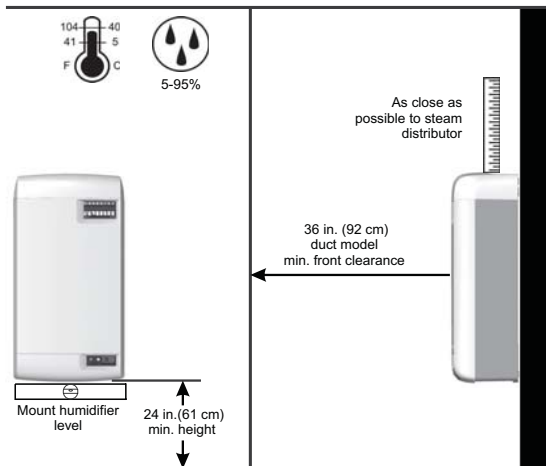


Fig. 1. Mounting.



PLUMBING

Water Supply Requirements

Honeywell does not accept responsibility for installation code violations. All drain and fill line connections should be installed in accordance with local plumbing codes by a licensed plumber.

1. Use 1/2 in. OD copper or plastic supply lines within 4 feet of the humidifier.
2. Install water shut off valve and coupler to facilitate servicing.
3. Do not use reverse osmosis or de-ionized water.
4. Flush supply lines with fresh clean water after installing, prior to operating the humidifier.
5. Do not solder/braze copper lines while connected to the humidifier or the fill solenoid can melt or deform.
6. Water conditions must meet the following criteria for optimal operation, consult factory for water conditions outside of this range.
 - a. Pressure: 30 to 100 PSIG
 - b. Conductivity: 150-1200 Microsiemens
 - c. Temperature: 34-68 °F/1-20 °C
 - d. Hardness 0-10 GPG and Silica 0-4 PPM

–OR–
Hardness 0-3 GPG and Silica 0-14 PPM

Drain Line Requirements

1. Use 7/8 in. copper. Do not use PVC.
2. Install an air gap within three feet of the humidifier. A copper reducer from 2-1/2 to 7/8 in. is ideal. Do not allow the drain hose to bottom out in the funnel cup.
3. The drain line should not end in a sink used frequently by personnel, or where plumbing codes prohibit it. Route to a floor drain or equivalent for safety reasons.
4. Ensure drain line is adequately sloped and sized to provide free and easy draining.

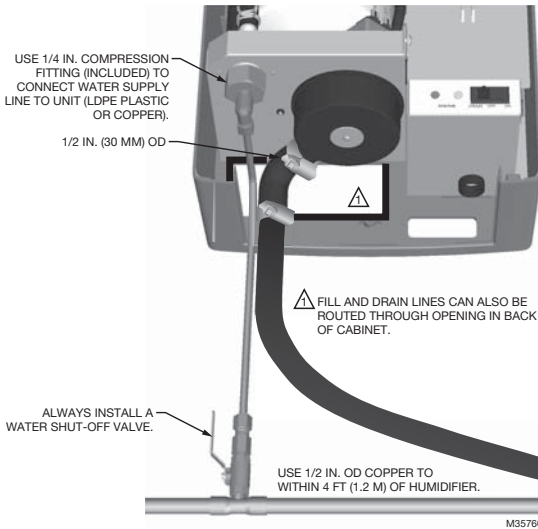


Fig. 2. Plumbing.

ELECTRICAL

CAUTION

Wiring to be performed by a licensed electrician.
This unit must be installed on a GFI Circuit.

CAUTION

Equipment Damage Hazard
Failure to wire the humidifier in accordance with the wiring instructions could cause permanent damage. Such errors will void the warranty.

Install Requirements

Honeywell does not accept responsibility for installation code violations.

1. All electrical connections to the humidifier are to be done while the unit is switched off, and the external disconnect is open.
2. Wiring should be done by a licensed electrician.
3. Install a labeled disconnect switch within view of the humidifier.

Installation Steps

1. Unit requires a dedicated circuit with GFI protection. Bring circuit to a disconnect near the device to protect from electrical shock when servicing.
2. Hard wire humidifier to disconnect according as shown at right.
3. Install factory-supplied jumper between the P terminal and the terminal that corresponds to supply voltage.
4. Remove green wire attached to case body and drain valve (remove canister for access).
5. Clip ground wire as close to drain valve as possible and remove excess.

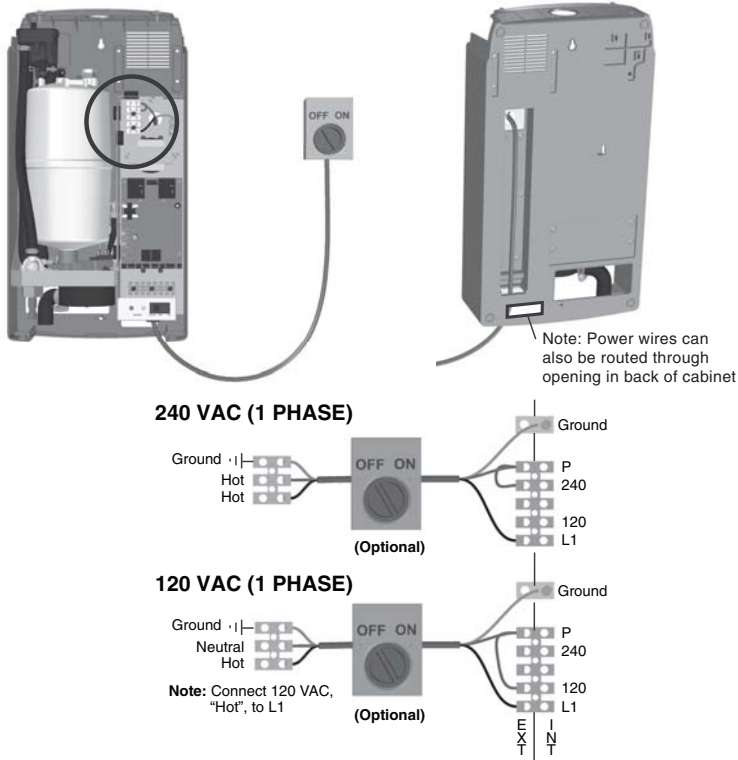


Fig. 3. Primary power connection.

NOTES:

- Honeywell requires the use of a GFI circuit on this device to protect the homeowner from electrical shock.
- When installed correctly, the green wire should be removed from the drain valve. The green wire comes pre-installed from the factory to protect the homeowner in case of an improper installation or when it is not possible to retrofit a GFI circuit.
- Ensure that adequate power is available to carry full humidifier amp draw as indicated on the specification label.
- Do not use neutral wire as a ground; connect a dedicated ground to ground termination.
- All wiring to be in accordance with national and local electrical codes.

STEAM DISTRIBUTION

Install Requirements

The following instructions must be followed for installation of steam lines for the HM700. Failure to use recommended material and exceeding maximum recommended length in Table 1, or failure to follow any other steam line installation instructions will result in improper operation and could void the warranty.

Table 1. Recommended Steam Line Material for HM700 Duct.

Voltage	Steam Output		Material*			Maximum Steam Line Length		Possible Losses	
	lbs/hr	(kg/hr)	Steam Hose	MED-L Copper Tube	Stainless Steel Tube	ft	(m)	lbs/hr	(kg/hr)
110/120V	3.85	1.75	(7/8")	3/4 in.	0.875 X 0.049W	7	(2)	0.5	(0.2)
220/240V	7.7	3.5				12	(3.5)	1.5	(0.7)

* The use of steam line other than copper, stainless steel tube or Honeywell supplied steam line will void the warranty and may adversely affect the operation of the humidifier.

* When using copper or stainless steel tubing (other than the supplied tubing), insulation is recommended due to high temperature safety as well as reduced condensate.

To return condensate for HM700, insert copper tube (supplied with equipment) half way into the condensate opening of the fill cup along with the spring clamp (supplied with equipment).

Insert the condensate hose into the condensate return hole at the top of the HM700, and over the copper tube. Fasten in place with the spring clamp.

MAIN RULES FOR ATMOSPHERIC STEAM LINES

- Steam lines must not have any restrictions which could result in back pressure.
- Follow recommended materials, size and length, see tables.
- Install steam line in a vertical (upwards) fashion from the HM700 to the distribution nozzle.
- Insulate with 1.0 in. (2.5 cm) pipe insulation.
- Trap condensate (Use full size "T" for Traps)
- Do not over tighten hose clamp at cylinder steam outlet. The maximum torque is 12 in-lbs.
- Support steam line so weight is not on cylinder.
- Condensate traps must be a minimum of 6 in. (15 cm) in height or duct static pressure +2 in. (5 cm), whichever is greater.
- Trapping by P-trap or pigtail. Support line as necessary to ensure it remains free of kinks.

INSTALLATION CHECK

Before turning on power to the HM700, inspect the installation to ensure that it was carried out correctly.

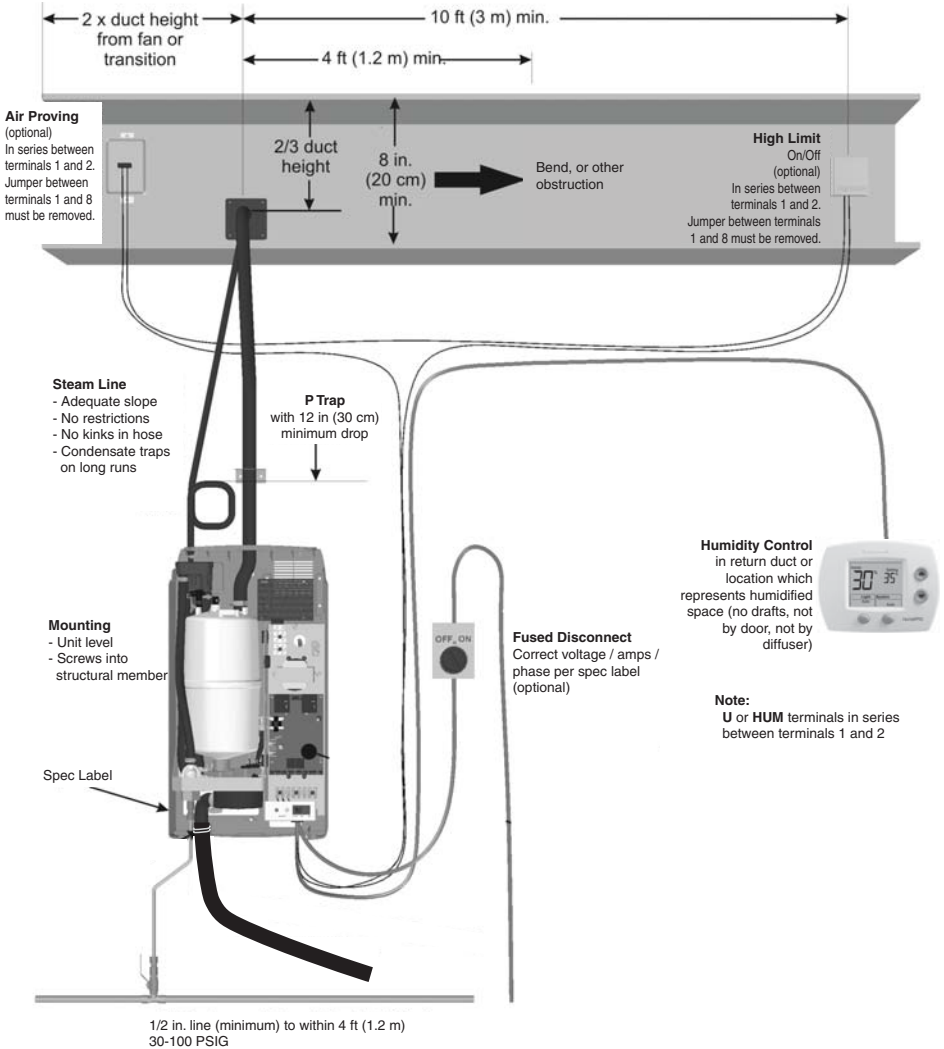


Fig. 4. Installation check.

For more information on maintenance and replacement,
please visit <http://yourhome.honeywell.com>
or call 1-800-468-1502 or 1-800-814-9452

Automation and Control Solutions

Honeywell International Inc.
1985 Douglas Drive North
Golden Valley, MN 55422
customer.honeywell.com

© U.S. Registered Trademark
© 2015 Honeywell International Inc.
33-00162—01 M.S. 11-15
Printed in United States

Honeywell