

F300 Electronic Air Cleaner

PROFESSIONAL INSTALLATION GUIDE
GUIDE D'INSTALLATION PROFESSIONNELLE

GETTING
STARTED

MOUNTING

WIRING

SPECIFICATION
DATA

OPERATION AND
SERVICE

APPENDICES



INCLUDED IN THIS BOX



Tools needed to install Electronic Air Cleaner

- ◆ Standard screwdriver
- ◆ Phillips screwdriver
- ◆ Metal cutter
- ◆ Drill
- ◆ Duct Sealant
- ◆ Locking Pliers

Replacement Media Postfilters

Filter Size (in.)	Part Number
12.5 x 20	50000293-004
16 x 25	50000293-002
16 x 20	50000293-001
20 x 25	50000293-004
20 x 20	50000293-003



F300 Electronic Air Cleaner

How it Works	2	Mounting.....	15
Application Considerations	3	Approvals.....	15
Models.....	3	Accessories	15
Air Conditioning.....	3	Repair Parts	15
Humidifiers	3	Capacity And Pressure Drop.....	16
Outdoor Air Intake	4	Dimensions.....	17
UV Lights.....	4	Weight	18
Ducting	5	Service.....	18
Transitions	5	Cleaning the Cells and Prefilters	18
Turning Vanes.....	5	Cleaning your Prefilter.....	18
Offsets	5	Cleaning your Cells	19
Important Installation Requirements	6	Replacing your Postfilter.....	19
Personal Safety	6	Washing Cells in a Container	19
Before Mounting	6	Washing in Automatic Dishwasher	20
If Replacing an Old Air Cleaner.....	6	Washing Cells at the Car Wash.....	21
Choosing a Mounting Position	6	Reinstalling the Cells and Prefilters.....	21
Mounting the F300 Electronic Air Cleaner	9	Replacing Media Postfilters	21
Checkout	13	Replacing Ionizer Wires.....	21
Maintenance	14	Modification to Reduce Ozone Odor	22
Specifications	14	Replacement Parts.....	23
Fractional Efficiency	14	Parts and Accessories Not Illustrated	24
Temperature Rating.....	15	Electronic Air Cleaner Wash Reminder and	
Electrical Ratings.....	15	Postfilter Replacement Schedule	26

GETTING
STARTED

MOUNTING

WIRING

SPECIFICATION
DATA

OPERATION AND
SERVICE

APPENDICES



NEED HELP? For assistance with this product please visit <http://yourhome.honeywell.com> or call Honeywell Customer Care toll-free at 1-800-468-1502.

Read and save these instructions.

© U.S. Registered Trademark. Patents pending. Copyright © 2012 Honeywell International Inc. All rights reserved.

What to Expect From Your Honeywell Electronic Air Cleaner

Congratulations for selecting the Honeywell Electronic Air Cleaner for your home comfort system! The F300 Electronic Air Cleaner captures and removes a significant amount of the air-borne particles from the air circulated through the high-efficiency electronic cells. The Electronic Air Cleaner easily mounts in any position within the return air duct of any gas, oil, and electric forced warm air furnaces and to compressor cooling up to 5 tons.

When Installing this Product...

1. Read these instructions carefully. Failure to follow them could damage the product or cause a hazardous condition.
2. Check the rating given in the instructions and on the product to make sure the product is suitable for your application.
3. Installer must be a trained, experienced service technician.
4. After installation is complete, check out product operation as provided in these instructions.

How it Works

Large particles (lint, hair) are caught by the prefilter. As the dirty air passes through the intense high voltage electric field surrounding the ionizer wires, all particles are given an electrical charge.

The air then moves through the collector part of the cell where alternate parallel plates are charged positively and negatively, creating a uniform electrostatic field. The charged particles are attracted to and collect on the plates that have the opposite electrical charge.

The air then passes through media postfilters, removing additional particles from the air stream. The air leaving the air cleaner has fewer particles. Each time the air circulates through the electronic air cleaner, more particles are removed.

Application Considerations

The Honeywell F300 Electronic Air Cleaner is designed to work with gas, oil, and electric forced warm air furnaces and with compressor cooling. It can also be used with heat pumps if the filter is changed regularly to prevent excessive pressure drop. The F300 Electronic Air Cleaner is not recommended for applications where pressure drop may be critical.

Models

F300E: Includes cabinet, access door, solid state power supply, two electronic cells, two metal mesh prefilters, and two media postfilters.

F300A, B: Includes cabinet, access door, solid state power supply, two electronic cells and two metal mesh prefilters.



Air Conditioning

Mount the Electronic Air Cleaner upstream of the evaporator coil in a cooling system. The filter will help to keep the coil clean and reduce maintenance.

Humidifiers

An evaporative humidifier can be mounted upstream from the air cleaner. An atomizing humidifier should be mounted downstream from the air cleaner, even though hard water salts will be blown into the living space and deposited as dust. If an atomizing humidifier must be mounted upstream from the air cleaner:

1. Mount it as far as possible upstream from the air cleaner.
2. Install a standard disposable furnace filter between the humidifier and the air cleaner to trap water droplets and hard water salts.
3. Frequently clean the air cleaner to prevent a hard water salt buildup.

NOTE: The volume of water that is discharged from an atomizing humidifier can overload the air cleaner, resulting in hard water salts being deposited as dust in the living space.

Outdoor Air Intake

Return air temperature must be at least 40°F (4°C). Lower temperatures can cause ionizer wire failure. If outdoor air is used, warm it upstream from the air cleaner by:

- Making sure the outdoor intake is far enough upstream from the air cleaner so the return and outdoor air is thoroughly mixed. Stratified air can dump a stream of very cold air into one section of the air cleaner.
- Adding baffles upstream from the air cleaner to force thorough air mixing.
- Installing a Honeywell TrueFRESH™ Fresh Air Ventilation System that transfers up to 80 percent of the heat from the exhaust air to the incoming outside air. This keeps the incoming air above 40°F (4°C) and reduces energy usage.
- Installing a preheater if large amounts of outdoor air are used. The preheater, which could be an electric strip heater or hot water coil, should be controlled by a thermostat. Hot water or steam coils should be protected by a freeze-up control.

UV Lights

Germicidal UV lights can cause degradation of the media postfilter. The UV light should be located out of line of sight or a minimum of 3 feet from the filter. Otherwise the filter may need to be replaced more frequently.

Ducting

The Electronic Air Cleaner is adaptable to all new or existing forced air heating and cooling systems used in residential applications. Transitions or turning vanes may be required in some applications for effective air cleaner operation.

Transitions

For most efficient air cleaning, spread airflow evenly across the face of the air cleaner. If the duct is a different size than the electronic air filter cabinet, gradual transitions are required. Follow these guidelines when fabricating:

- Use gradual transitions to reduce air turbulence and increase efficiency.
- Use no more than 20 degrees (about 4 in. per running ft. (100 mm per 300 linear mm)) of expansion on each side of a transition fitting.

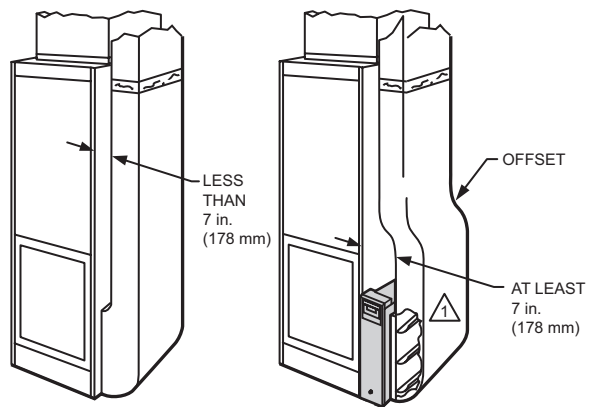
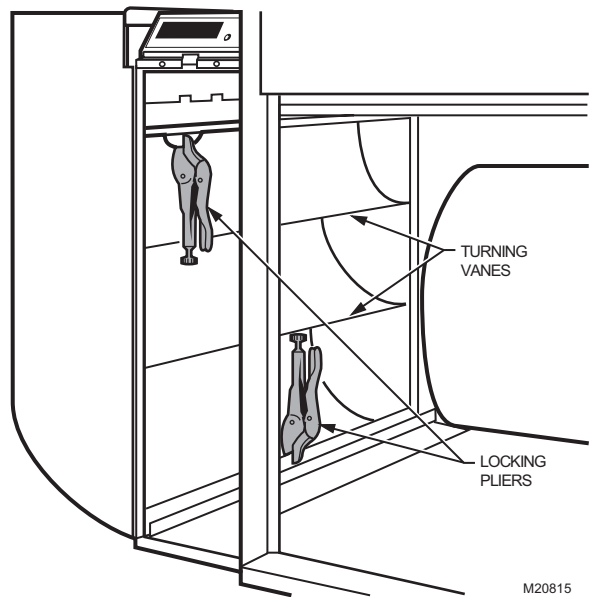
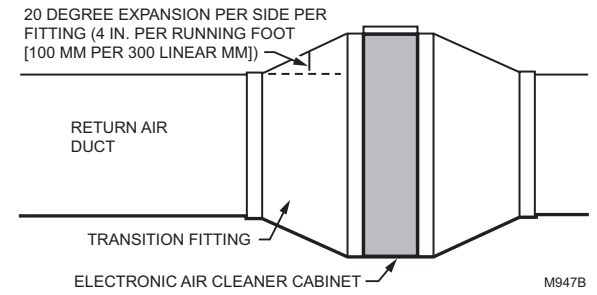
Turning Vanes

If the Electronic Air Cleaner is installed next to an elbow or angle fitting, add turning vanes inside the angle to distribute airflow more evenly across the face of the cell.

Offsets

If the duct connection to the furnace in a side installation allows less than 7 in. (178 mm) for mounting Electronic Air Cleaner cabinet, attach an offset to the elbow.

DUCT SIZE CHANGED GRADUALLY TO PREVENT TURBULENCE.



⚠️ REQUIRED TURNING VANES HELP DISTRIBUTE AIRFLOW EVENLY. M948B

Important Installation Requirements

Failure to comply with these requirements will result in voided warranty, improper installation, and service callbacks.

Personal Safety

- Wear safety glasses while installing the unit.
- Do not cut into any air conditioning or electrical line.
- Follow professional safety standards and all local codes for plumbing, electrical, and mechanical considerations.

Before Mounting

- Using the figure on the cover and the lists on the inside cover, make sure that you have all the components for your Honeywell Electronic Air Cleaner and the tools to install it.
- Ensure airflow direction through the Honeywell Electronic Air Cleaner matches the arrows on the electronic cell. The arrows should point in the direction of the airflow.
- Choose a location that is readily accessible for checking and cleaning the cells. Allow at least 13 in. (330 mm) in front of the access door for removing the metal mesh prefilter, media postfilter and electronic cell. Allow enough room above the power supply so it can be serviced without removing pipes, ducts, or other heating system components.
- Install the electronic air filter where the temperature will not exceed the ratings in the Specifications.
- Do not mount in the supply air duct.

NOTE: Generally, the best location is in the return air duct next to the blower compartment so the Electronic Air Cleaner can help to keep the blower motor and evaporator coils clean.

If Replacing an Old Air Cleaner

If the Honeywell Electronic Air Cleaner is not identical in size and shape to the existing air cleaner, before performing a retrofit installation, you might need to add duct transitions to ensure a smooth air flow.

For optimum system performance, clean the cells every six to twelve months (before heating season and before cooling season). Adjust the schedule to you needs, but clean the cells at least once per year.

Choosing a Mounting Position

The Electronic Air Cleaner mounts in any position within the return air duct, usually next to the furnace blower compartment, but the arrow on the cartridge must point in the same direction as the airflow. See Figs. 1-8 for proper location of the Electronic Air Cleaner for a variety of furnace installations.

NOTE: The Electronic Air Cleaner cabinet is sturdy enough to easily support the weight of the furnace and evaporator coil.

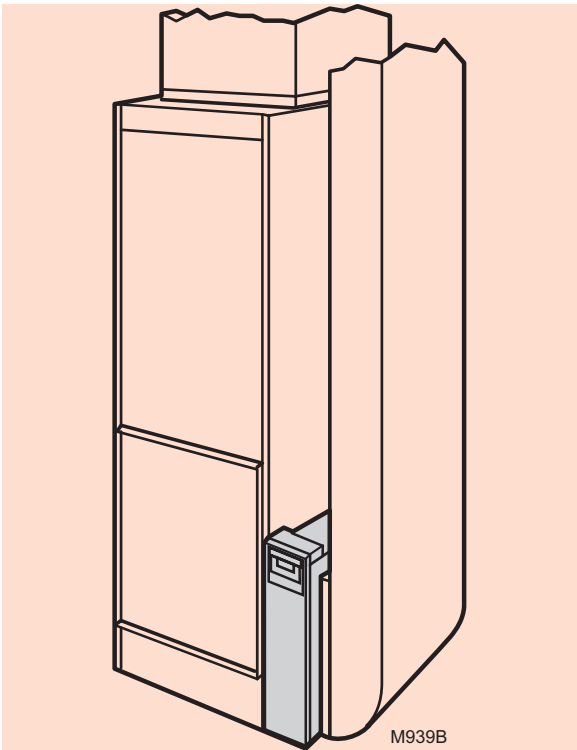


Fig. 1. Highboy furnace with side installation. Electronic air filter is mounted vertically where return enters side inlet of furnace.

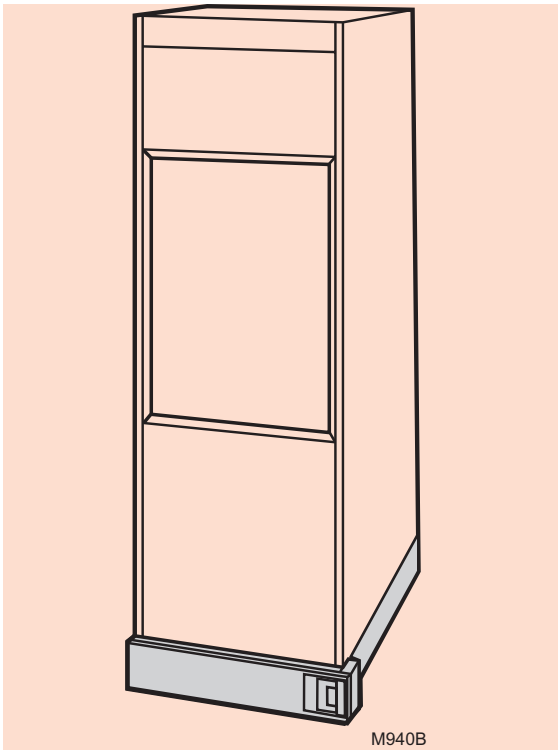


Fig 2. Highboy furnace, with installation beneath furnace. Electronic Air Cleaner is mounted horizontally where return enters from below.

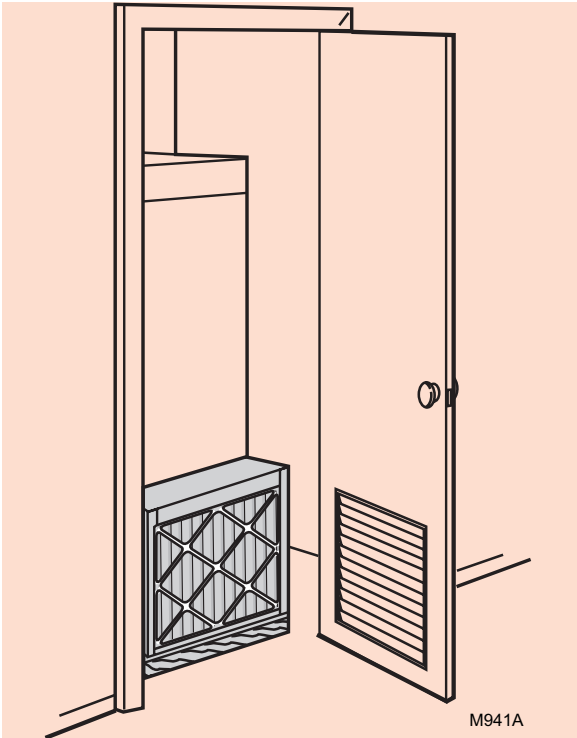


Fig. 3. Highboy furnace, with closet installation. Electronic Air Cleaner is mounted vertically on furnace between furnace and louvered return air opening in closet door.

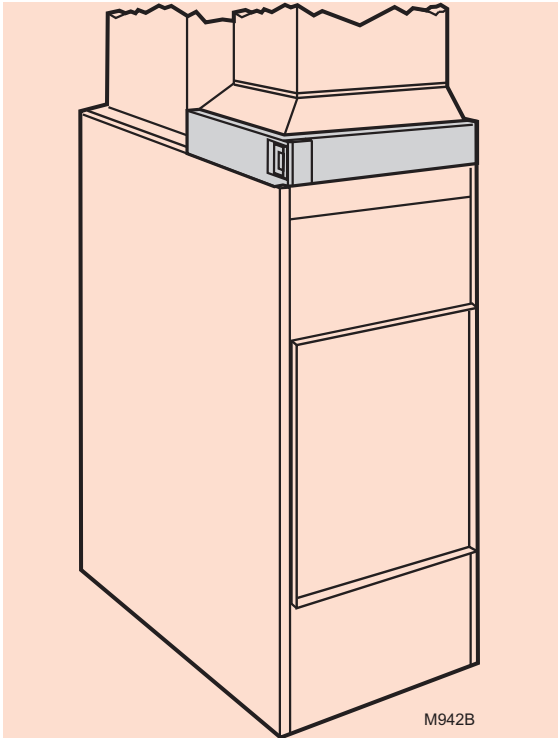


Fig. 4. Lowboy furnace, with Electronic Air Cleaner mounted horizontally in return plenum just above furnace and opposite heating plenum.

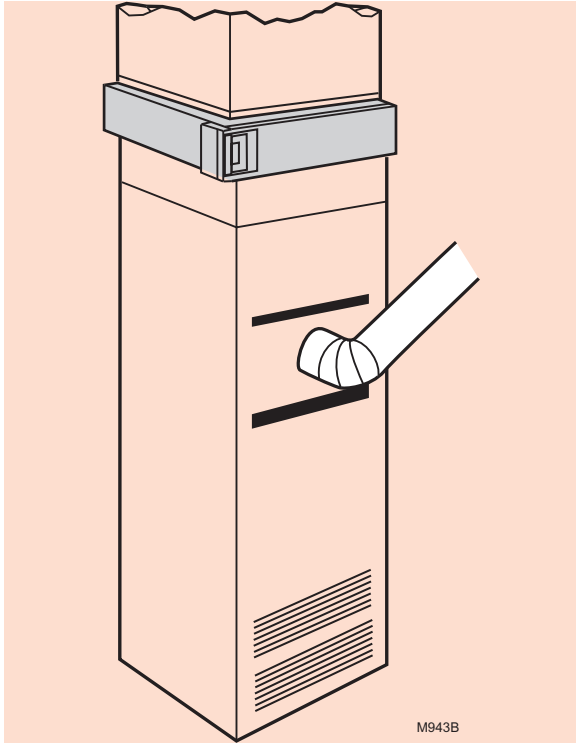


Fig. 5. Counterflow furnace, with Electronic Air Cleaner mounted horizontally in return duct or plenum just above furnace.

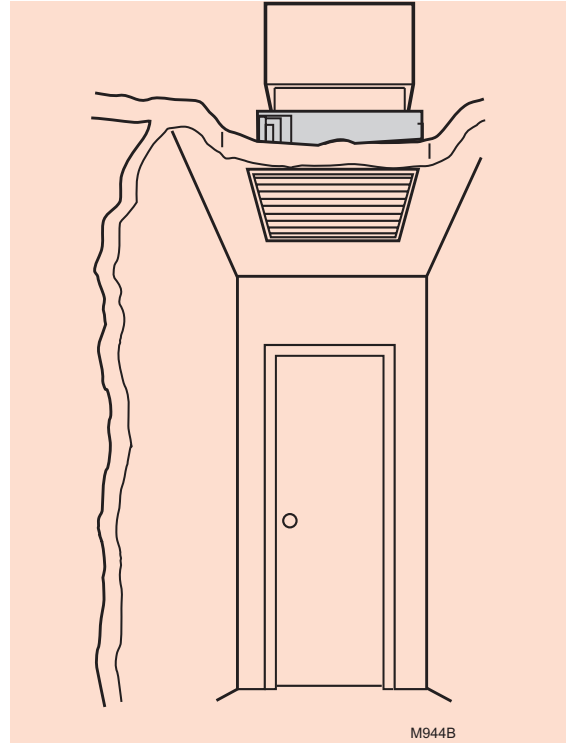


Fig. 6. Central fan installation, with Electronic Air Cleaner mounted horizontally in central return duct.

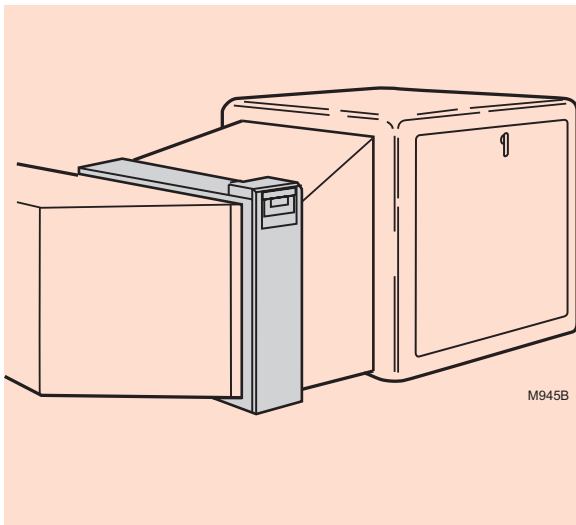


Fig. 7. Horizontal furnace, with electronic air filter mounted vertically in return duct near furnace.

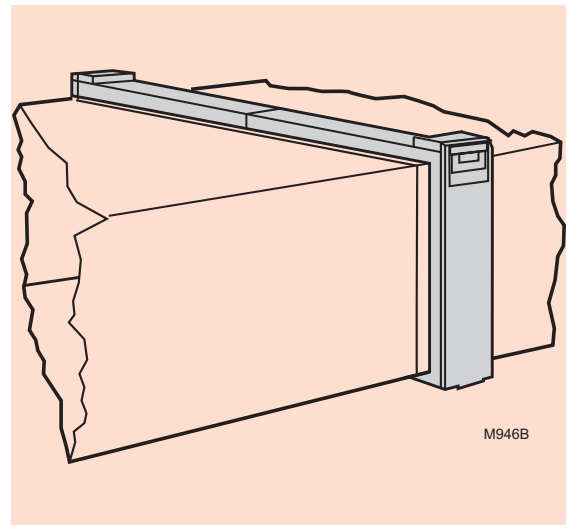


Fig. 8. Two or more Electronic Air Cleaners used in a high capacity system.

Mounting the F300 Electronic Air Cleaner

The following procedure describes a typical side installation on an existing highboy furnace (Fig. 1). Alternate procedures are noted as appropriate. Other changes in installation procedures may be necessary to complete your installation.

STEP ONE: Unpack Electronic Air Cleaner

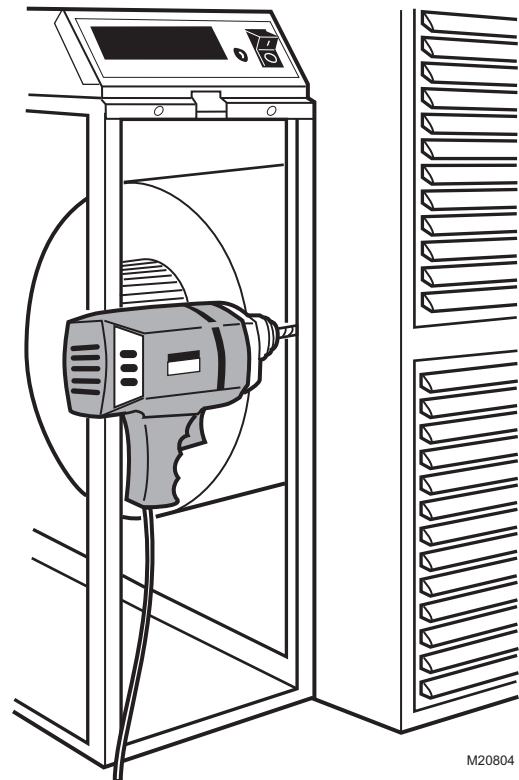
- a. Check that all components are included. The electronic air cleaner is shipped assembled. The unit consists of a galvanized steel cabinet, power supply with On-Off switch and neon light, two electronic cells, two metal mesh prefilters, two media postfilters (on select models), access door and product data literature.

STEP TWO: Clean Blower Compartment

- a. Remove and discard the existing furnace filter.
- b. Thoroughly clean the blower compartment.
- c. If possible, power vacuum the ductwork to remove accumulated dust in an existing home, or construction dirt in a new home. The electronic air cleaner cannot remove dust that has settled in the blower compartment and distribution ducts.
- d. Check the edges of the furnace fan blades for dirt buildup and clean as necessary. The fan will not deliver the rated cfm if the blades are dirty.

STEP THREE: Fasten the Cabinet to the Furnace

- a. Remove and set aside the access door, electronic cells metal mesh prefilters and media postfilters.
- b. Align the cabinet with the return air opening.
- c. Create an opening in the furnace to match the cabinet opening.
- d. Install a transition when the furnace and air cleaner openings are different sizes. See Transitions on page 5.
- e. Place blocks under the cabinet so the unit is firmly supported and level. The 5/8 in. (16 mm) mounting foot on the cabinet hinge plate provides the minimum clearance required for the access door hinge.
- f. Attach the cabinet securely to the furnace. The unit can be attached directly, as shown, or a starting collar can first be fitted in the furnace opening. Either drill holes and fasten with sheet metal screws or rivets, or use slip joints.



STEP FOUR: Install Turning Vanes

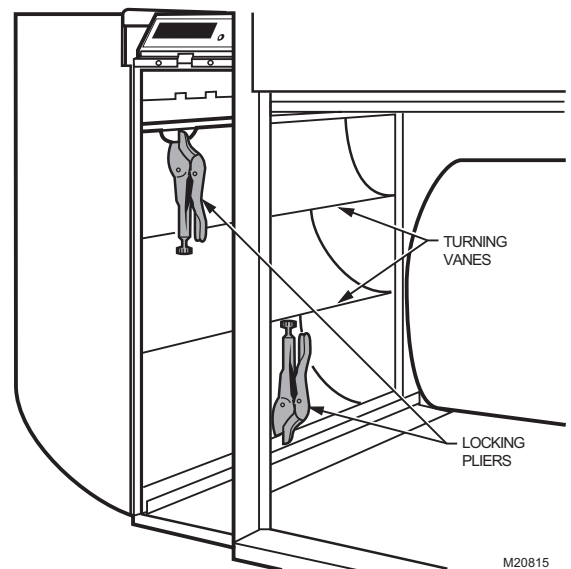
Install turning vanes to help distribute air equally over the full surface of the upstream side of the air cleaner. Install them whenever an abrupt 90 degree elbow is installed directly against the Electronic Air Cleaner cabinet.

STEP FIVE: Fasten Cabinet to Ductwork

Fasten side of cabinet to the ductwork using sheet-metal screws, rivets, or slip joints, as appropriate.

STEP SIX: Connect Ductwork

- Connect the vertical duct section to the elbow. If the vertical drop of the duct is less than 7 in. (178 mm) from the side of the furnace, shorten the horizontal trunk or attach an offset fitting to the elbow. See figure to the right.
- When ductwork is properly aligned, connect the vertical duct to the horizontal trunk.



STEP SEVEN: Seal Joints

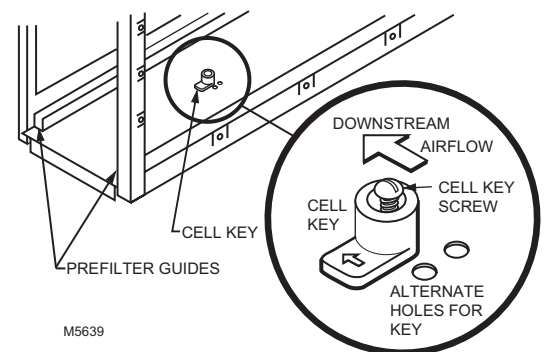
Seal all joints in the return air system between the air cleaner and the furnace to prevent dust from entering the clean airstream.

STEP EIGHT: Position Cell Key

The electronic cell must always be installed so the ionizer section is on the upstream side. A factory-installed cell key on the bottom of the cabinet allows the cell to be inserted in only one direction. If the arrow molded into the plastic key points in the same direction as the airflow, the ionizer is always on the upstream side.

If position of the key must be reversed, proceed as follows:

- Remove the electronic cell.
- Remove the screw holding the cell key in place.
- Turn the key around and place it over the opposite holes. The tab on the bottom fits into the larger hole, and the screw fits into the smaller hole. Make sure the arrow on the key points in the direction of the air flow (downstream).
- Tighten the screw into the new hole.
- Insert the electronic cell. The ionizer section will now be on the air-entering (upstream) side of the cabinet.

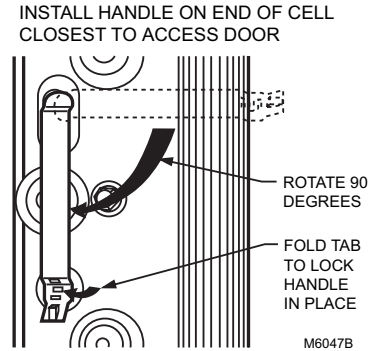


STEP NINE: Attach Cell Handles

Cell handles included with the air cleaner must be installed on the end of the cell closest to the access door.

To install:

- Orient the cell as it will be when installed. The gray contact board must be up and the airflow arrow stamped into the cell must point downstream.
- Hold the handle sideways and insert the solid tab on the back of the handle into the slot in the cell. Turn the handle 90 degrees clockwise to align the divided tab with the square hole.
- Insert the divided tab into the square hole.
- Fold up the wedge and insert it into the divided tab to lock the handle in place. If necessary, press with a blunt instrument like the end of a pliers.



STEP TEN: Reassemble Air Cleaner

- Insert the electronic cells with the gray contact board toward the power supply and the airflow arrow pointing downstream. If the cell does not slide easily into the cabinet, check the orientation of the cell key.
- Insert the metal mesh prefilters on the upstream side of the cabinet in the guide provided.
- Insert the media postfilters (on select models) on the downstream side of the cabinet in the guide provided.
- Replace the access door. Insert the tab on the bottom of the door into the slot in the cabinet, then swing it closed and press into place. The door must be firmly in place or the air cleaner will not operate.

STEP ELEVEN: Complete Wiring

WARNING

Electric Shock Hazard.

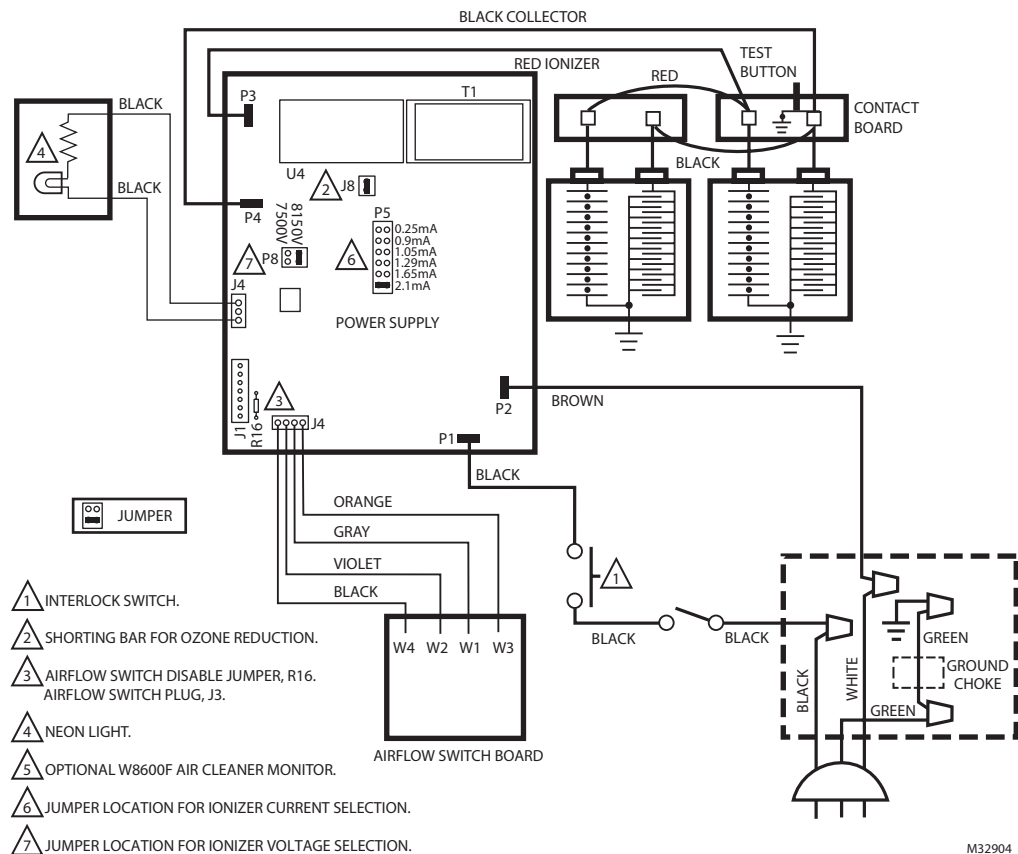
Can cause personal injury.

Do not use an extension cord.

- Assure all wiring complies with local codes and ordinances.
- The line voltage power source must match the voltage and frequency printed on the label inside the access door.
- When the System fan comes on, the Air Flow Switch (AFS) senses the negative pressure in the duct and turns on the power supply. If power to the air cleaner is controlled by another switch, the AFS can be disabled by disconnecting the AFS plug J3 and cutting the R16 jumper on the power supply.
- Plug the electronic air cleaner directly into the correct voltage and frequency outlet. See figure on page 12 for internal schematic. The air cleaner operates correctly with any fan when wired with conduit or plugged in.

NOTE: To reduce the risk of electric shock, this product has a grounding type plug that has a third (grounding) pin. This plug only fits into a grounding type power outlet. If the plug does not fit into the outlet, contact a qualified electrician to install the proper outlet. Do not change the plug in any way.

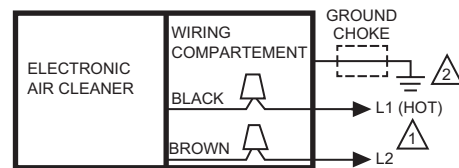
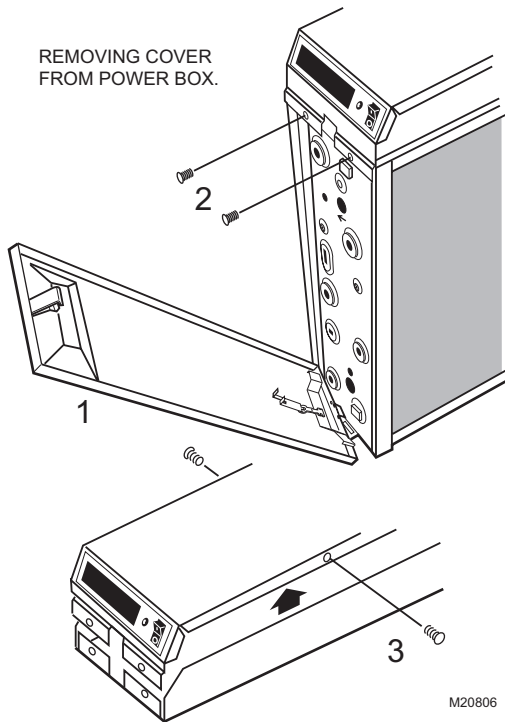
- Alternatively, the electronic air cleaner can be wired with conduit.



M32904

1. Open access door.
2. Remove and retain the two screws from the front of the power box and the two screws from the sides of the power box. See figure on page 13.
3. In the power box, remove and retain two wire nuts that connect the line cord leads to the power box wiring.
4. Remove the wire nut to disconnect the ground choke assembly from the power cord green lead.
5. Remove the power cord and the strain relief.
6. Install the plug (provided with the literature pack) in the hole left by the power cord.
7. Attach conduit through a power box side knockout.

8. Wire the power cord ground lead to the ground choke assembly using wire nut. Secure ground connection to the green ground screw on the wiring compartment barrier.
9. Replace power supply cover and access door.



- 1 POWER SUPPLY. PROVIDE DISCONNECT MEANS AND OVERLOAD PROTECTION AS REQUIRED.
- 2 THE AIR CLEANER CAN BE COMPLETELY ISOLATED FROM THE ELECTRICAL CIRCUIT OF THE HVAC SYSTEM UNLESS REQUIRED BY LOCAL CODE TO USE SAME CIRCUIT. ANY CONVENIENT HOUSE CIRCUIT CAN POWER AIR CLEANER, REGARDLESS OF ELECTRICAL RATING OF HVAC SYSTEM.

M22006

Checkout

Visually check the installation and make sure that:

- Airflow is in the direction of the arrow on the electronic cells.
- Metal mesh prefilter is on the upstream side and media postfilter (if used) is on the downstream side.
- Cell handles face outwards.
- Electronic cell and prefilter are clean and dry.
- Turning vanes and transitions, if used, are properly installed.
- Joints in sheetmetal between electronic air filter and heating and cooling system are sealed.
- All sheetmetal connections are complete.
- Original furnace filter has been removed and blower compartment is cleaned.

When you have verified that checkout has been completed:

- Replace any access doors removed during the Installation or Checkout.
- Run the furnace or cooling system through one complete cycle to make sure the system operates as desired.

Check Air Cleaner Operation

With all components in place, turn on air cleaner switch and **energize system blower**. **Check following points of operation:**

1. The neon light next to the On-Off switch is on. The neon light shows that the air cleaner is energized and the high **voltage power supply is working correctly**.
2. Turn off the system blower. The neon light should go off after a few seconds.
3. Turn on the system blower. With the air cleaner energized, push the test button. A snapping sound indicates that the collector voltage is present on the cell.
4. With a multispeed blower, repeat steps 1 through 3 for each fan speed.

Maintenance

The air cleaner must be cleaned when pressure drop across the air cleaner reaches 0.5 in. w.c. (0.1 kPa), or at least annually. If the air cleaner is installed downstream from an atomizing humidifier or if the installation includes both heating and cooling, more frequent replacement may be necessary. Clogged prefilters must be cleaned promptly to avoid restricting airflow and reducing efficiency of the heating/cooling system. Record the maintenance date in the space provided on the Electronic Air Cleaner Wash Reminder and Postfilter Replacement Schedule.

Specifications

The specifications in this publication do not include normal manufacturing tolerances; therefore, an individual unit may not exactly match the listed specifications. This product is tested and calibrated under closely controlled conditions, and some minor differences in performance can be expected if those conditions are changed.

Fractional Efficiency

Efficiency Ratings: Efficiency ratings are based on American Society of Heating, Refrigerating and Air Conditioning Engineers Standard 52.2-1999. Efficiency ranges are defined for small particles, E1 = .3 to 1.0 micron; medium particles, E2 = 1.0 to 3.0 microns; and large particles, E3 = 3.0 to 10.0 microns.

Table 5. Fractional Efficiency With and Without Postfilter.

With Postfilter	Without Postfilter
E1 = Up to 81% at 492 fpm.	E1 = Up to 73% at 492 fpm.
E2 = Up to 93% at 492 fpm.	E2 = Up to 88% at 492 fpm.
E3 = Up to 99% at 492 fpm.	E3 = Up to 95% at 492 fpm.

Temperature Rating

Operating Ambient:

40° to 125°F (4° to 52°C).

Temperature of Airflow Through Cells:

40° to 125°F (4° to 52°C).

Maximum Cell Washing Temperature:

220°F (140°C).

Storage and Shipping Ambient:

-40°F to +140°F (-40°C to +60°C).

Electrical Ratings

Voltage and Frequency:

Models available for 120V, 60 Hz., 240V, 60Hz.

120V models can be converted in the field to

240V, 60 Hz or 220/240V, 50 Hz with the 203365A

Conversion Kit.

Power Consumption:

One cell models: 22 W maximum

Two cell models: 36 W maximum.

Current Draw: See Table 2.

Ionizer Voltage: 8150 Vdc.

Collector Voltage: 4075 Vdc.

Mounting

Mounts in any position in the return air duct, usually next to the furnace blower compartment. Cabinet is sturdy enough to support weight of a residential furnace and evaporator coil.

Approvals

Underwriters Laboratories, Inc.: File E30954.

Accessories

- 203365A Conversion Kit for changing 120V, 60 Hz power supply to 240V, 60 Hz or 220/240V, 50 Hz.

Repair Parts

See Replacement Parts/Exploded View section.

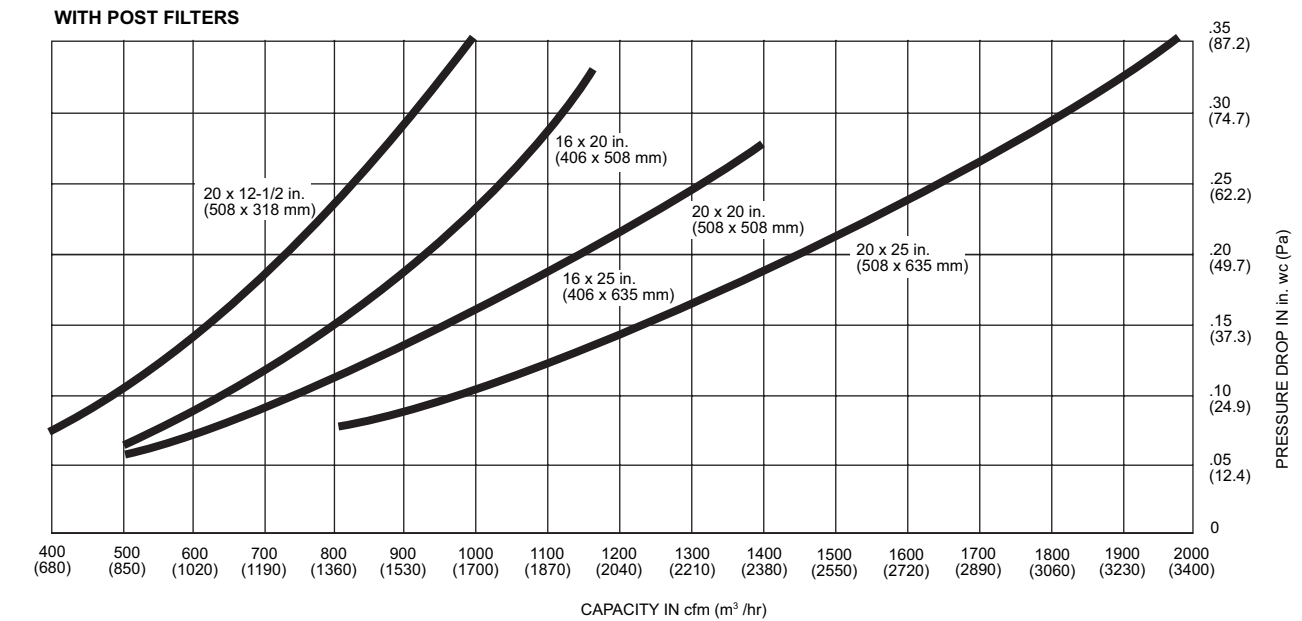
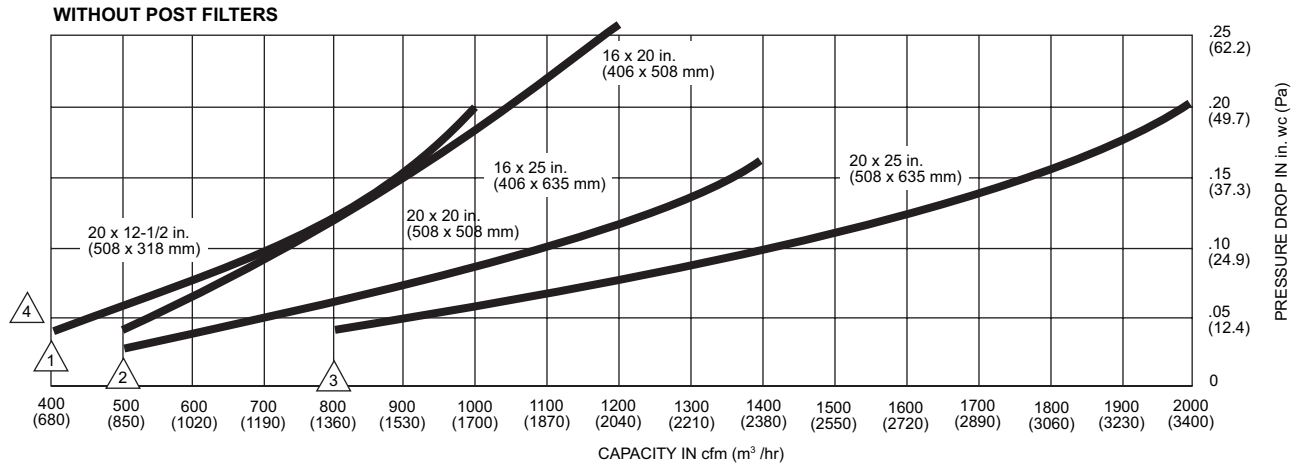
Table 6. Current Draw

Size		No. Cells	Max Current (A)	
in.	mm		120V	220/240V
16 x 25	406 x 635	2	0.4	0.2
20 x 25	508 x 635	2	0.4	0.2
16 x 20	406 x 508	2	0.4	0.2
20 x 20	508 x 508	2	0.4	0.2
20 x 12-1/2	508 x 318	1	0.4	0.2

Capacity And Pressure Drop

Initial Pressure Drop: 0.15 in. wc at 492 fpm.

AIR CLEANER EFFICIENCY AND PRESSURE DROP AT VARIOUS AIRFLOW RATES.

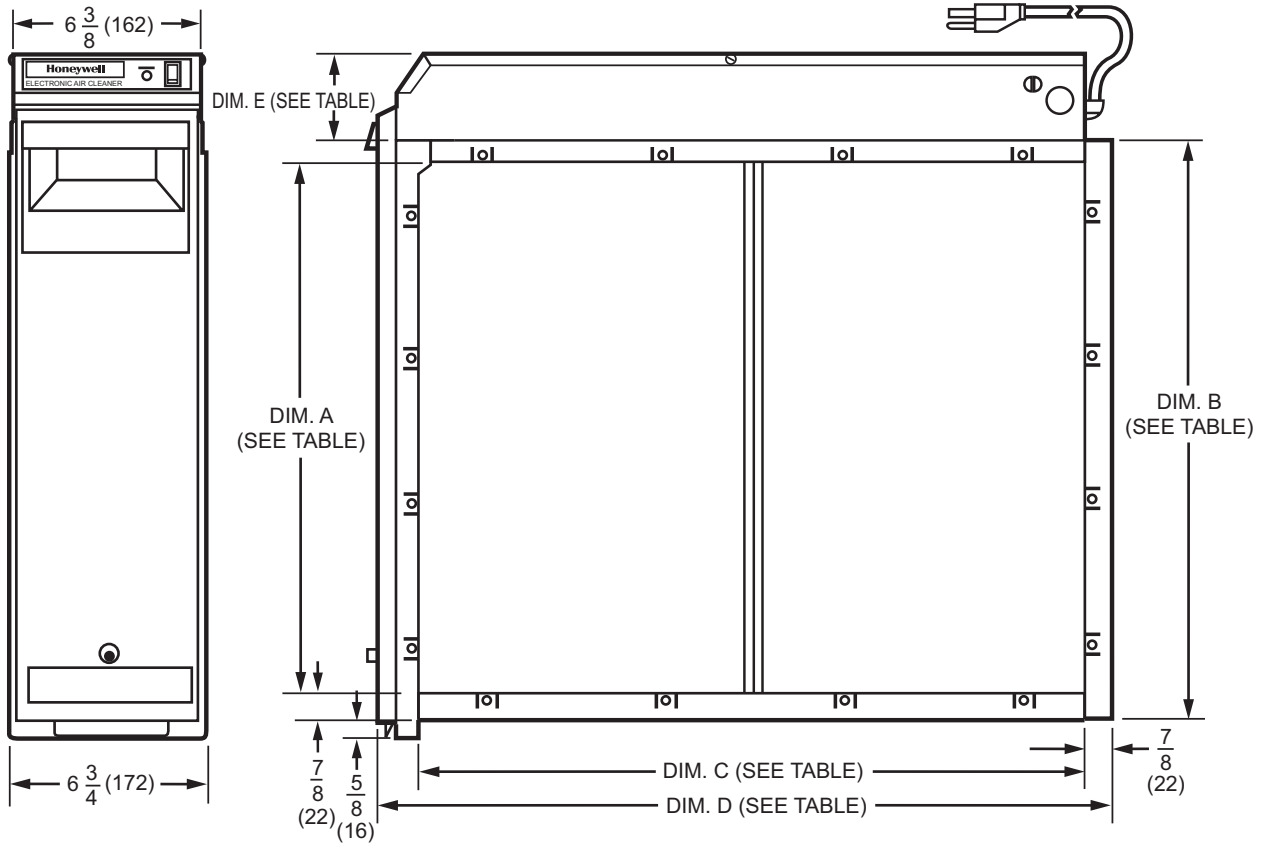


- 1 MINIMUM RECOMMENDED cfm FOR 20 x 12-1/2 in. (508 x 318 mm) MODEL.
- 2 MINIMUM RECOMMENDED cfm FOR 16 x 25 in. (406 x 635 mm), 20 x 20 in. (508 x 508 mm), 16 x 20 in. (406 x 508 mm) MODELS.
- 3 MINIMUM RECOMMENDED cfm FOR 20 x 25 in. (508 x 635 mm) MODEL.
- 4 SELECT SIZE THAT MOST CLOSELY FITS DIMENSIONS OF FURNACE/AIR HANDLER RETURN AIR OPENING

M13654

SPECIFICATION DATA

Dimensions



F300 SIZE		DIM. A		DIM. B		DIM. C		DIM. D		DIM. E	
IN.	MM	IN.	MM	IN.	MM	IN.	MM	IN.	MM	IN.	MM
16 X 25	406 X 635	14 7/16	367	16 3/16	411	23 1/4	591	25 1/2	648	2 3/4	70
16 X 20	406 X 508	14 7/16	367	16 3/16	411	18 1/4	457	20 1/2	521	2 3/4	70
20 X 25	508 X 635	18 7/16	468	20 3/16	513	23 1/4	591	25 1/2	648	2 3/4	70
20 X 20	508 X 508	18 7/16	468	20 3/16	513	18 1/4	457	20 1/2	521	2 3/4	70
20 X 12 1/2	508 X 318	18 7/16	468	20 3/16	513	10 7/8	276	13 1/8	333	3 5/8	92

M2872B

Weight

Item	Weight									
	16 x 20 in. (406 x 508 mm)		16 x 25 in. (406 x 635 mm)		20 x 12-1/2 in. (508 x 318 mm)		20x 20 in. (508x 508 mm)		20 x 25 in. (508 x 635 mm)	
	lb	kg	lb	kg	lb	kg	lb	kg	lb	kg
Electronic Cell (each)	5	2.25	6	2.7	7-1/2	3.4	6-3/16	2.8	7-1/2	3.4
Shipping Weight	30	13.6	33	15.0	25	11.3	33	15.0	38	17.2
Installed Weight (Cells included)	26	11.6	28	12.7	21	9.5	29	13.2	33	15.0

Service

CAUTION

Sharp Edges

Can cause personal injury.

Carefully handle the cell(s) or wear protective gloves to avoid cuts from the sharp metal edges.

Cleaning the Cells and Prefilters

To assure optimum performance from the air cleaner, the cells and prefilters must be cleaned regularly and the postfilters replaced regularly—twice a year with normal use or more frequently with heavy use. Washing frequency varies, depending on the number of family members, pets, activities (such as cooking or woodworking) and smoking habits. Use the Service Reminder Schedule at the end of this document to help establish and maintain a regular cleaning schedule. Keep your Service Reminder Schedule in a convenient location.

NOTE: To let the heating or air conditioning system operate normally while the cells are being washed, simply turn off the air cleaner switch.

Cleaning your Prefilter

1. The quickest and easiest way to clean your prefilter is to use the brush attachment of your vacuum cleaner to vacuum the lint off the dirty side of the prefilter. Greasy dirt may require soaking the prefilter in a tub or rinsing with the garden hose. Do not wash the prefilter in the dishwasher or car wash.
2. The prefilter should be cleaned every 6 months or more frequently with heavy use. This will keep the prefilter clean of air choking lint that can make your system work harder.

Cleaning your Cells

- A quick cleaning of the cells can be done by simply wiping down the ionizer wires with a damp cloth. This will help boost the efficiency of the air cleaner between full cleaning cycles. This quick clean can be done every time the prefilters are cleaned.
- A full cleaning of the cells will return the air cleaner to its peak efficiency. An easy way to wash the cells is in a tub of hot, soapy water. Just soak the cells until the water cools, agitate and rinse. For details see below instructions on Cleaning in a Container, Automatic Dishwasher or Washing Cells at the Car Wash.
- A full cleaning of the cells can be put off for yearly maintenance because the efficiency of the air cleaner remains high even as it loads up with dirt. A quick cleaning can be done more often. Those wishing to renew to peak efficiency or with heavier use may want to wash more frequently.
- Honeywell recommends using an automatic dishwasher detergent to protect the aluminum of the cells. It is not recommended to use all purpose cleaners or coil cleaners; these cleaners can degrade the aluminum in the cells over time.

Replacing your Postfilter

1. The postfilter is an optional filter that boosts the efficiency of the air cleaner. Do not wash the postfilter because that will neutralize the factory applied charge.
2. The postfilter should be replaced every six months to ensure peak performance.

Washing Cells in a Container

CAUTION

Hazardous Chemical.

Can cause personal injury.

Do not splash detergent solution in eyes. Wear rubber gloves to avoid prolonged detergent contact with skin.

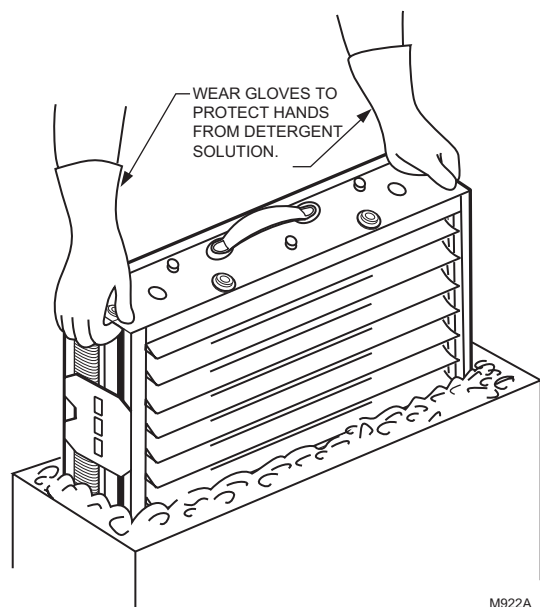
Keep detergent and solution out of reach of children.

NOTE: Always wash the cells first, then the prefilters, to keep heavy prefilter lint from getting caught in the cells.

1. Use a large enough container, such as a laundry tub or trash container, to hold one or both cells.

NOTE: Sharp corners on cells can scratch surface of bathtub.

2. Dissolve about 3/4 cup of automatic dishwasher detergent per cell in enough hot water to cover the cells. If detergent does not dissolve readily, or forms a scum on the water, try another brand, or use softened water
3. After detergent has completely dissolved, place cells in the container and let soak for 15 to 20 minutes. Agitate up and down a few times and remove.
4. Next, wash the prefilters the same way. Empty and rinse the wash container.



M922A

5. Rinse the cells and prefilters with a hard spray of very hot water; rinse the tub clean, then fill the tub with clean hot water and soak for 5 to 15 minutes. Rinse until the water draining from the cells and prefilters no longer feels slippery.
6. Soak cells and prefilters in a final clear water rinse for ten minutes.
7. Wipe ionizer wires and contact board on end of cell using your thumb and forefinger with a small, damp cloth.

Washing in Automatic Dishwasher

NOTE: Move Washing Cells in a Container before washing in an automatic dishwasher.

CAUTION

Burn Hazard.

Can cause personal injury.

Allow cells to cool completely in dishwasher at end of wash cycle or wear protective gloves to avoid burns. Hot water can accumulate in the tubes supporting collector plates; tip cells so tubes drain.

- Check the dishwasher owner's manual. Some manufacturers do not recommend washing electronic cells in their dishwashers.
 - If the dishwasher has upper and lower arms, position the cells carefully to allow good water circulation.
 - Be careful to avoid damaging the cells when placing them in the dishwasher. Broken ionizer wires or bent collector plates are not included in the warranty.
 - Very dirty cells, especially from tobacco or cooking smoke, can discolor the plastic parts and the lining of some dishwashers. This discoloration is not harmful. To minimize it, wash the cells more frequently or try a different brand of detergent.
 - Do not allow the dishwasher to run through the dry cycle. This bakes on any contaminants not removed during the wash cycle and reduces air cleaner efficiency.
1. Put the cells on the lower rack of the dishwasher with the airflow arrow pointing up. It may be necessary to remove the upper rack. Do not block water flow to the upper arm.

NOTE: Lay a few large water glasses between the spikes on the lower rack and rest the cell(s) on them so the spikes do not damage the aluminum collector blades.

2. Using regular dishwasher detergent, allow the dishwasher to run through the complete wash and rinse cycle. Do not use the dry cycle. To avoid burns, let the cells cool completely before removing, or wear protective gloves when removing the cells. Remember that water may be trapped inside the cells. Tip the cells so the tubes can drain.
3. Wipe ionizer wires and contact board on the end of the cell using thumb and forefinger with a small, damp cloth.
4. Inspect the dishwasher. Rerun wash and/or rinse cycle with the dishwasher empty if there is dirt or residue from washing the cells. If dirt or residue seems excessive, wash cells more often or try a different detergent.

Washing Cells at the Car Wash

Use the hand sprayer at a coin-operated do-it-yourself car wash to clean the cells. Hold the nozzle at least two feet away from the unit to avoid damage (such as broken ionizer wires or bent collector plates) from the high pressure stream of water. Follow the same sequence of wash and rinse as recommended for cars. However, do not wax the cells. Be sure to rinse until the water draining from the cells no longer feels slippery.

Reinstalling the Cells and Prefilters

1. Inspect the cells for broken ionizer wires and bent collector plates. Repair as necessary or take to a Honeywell Authorized Air Cleaner Repair Station.
2. Slide the prefilters into the upstream prefilter guides.
3. Slide in the air cleaner cells so the airflow arrow points downstream and the handles faces outward.
4. Firmly close the access door.
5. Wait two to three hours until the cells are dry and then turn on the air cleaner. If the cells and prefilters are wet, the neon light may not come on and you may hear arcing.

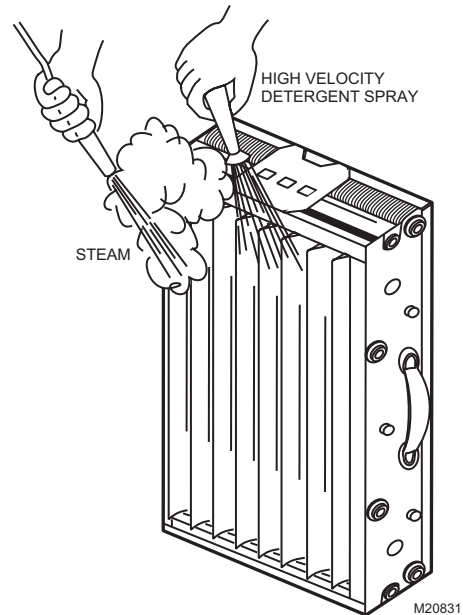
Replacing Media Postfilters

To maximize the filtration efficiency of the media postfilters, replace them every six months. Replacement filters are available in the same size and configuration as the original unit. Contact your local Honeywell distributor to purchase replacement filters. Install the replacement filters exactly as the filters provided with the equipment. Use the Service Reminder Schedule at the end of this document to help you establish and maintain a regular replacement schedule. Keep your Service Reminder Schedule in a convenient location.

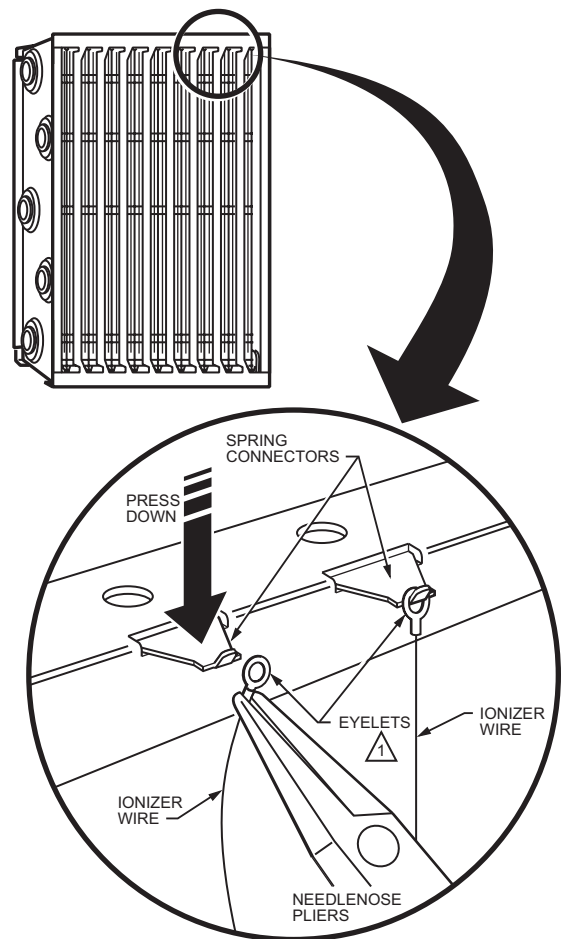
Replacing Ionizer Wires

Broken or bent ionizer wires can cause an electrical short to ground, often resulting in visible arcing or sparking. Do not use cells until broken wires are removed. Cells can be used temporarily with one wire missing, but replace the wire as soon as possible.

Replacement wires are supplied cut to length with eyelets on both ends for easy installation. See Parts and Accessories Not Illustrated section. To install:

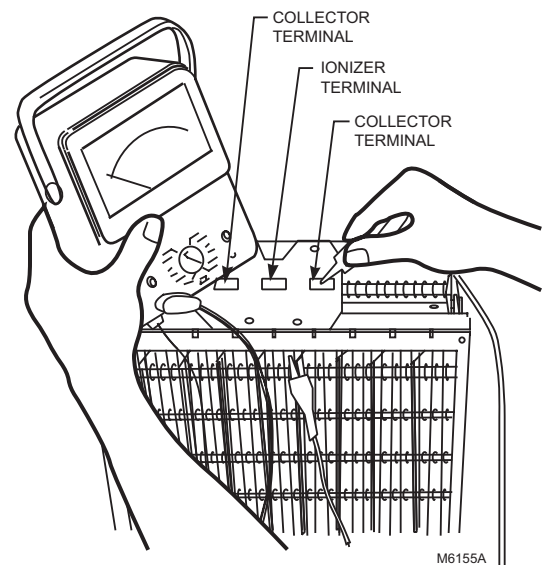


REPLACING AN IONIZER WIRE.



1 TWO EYELETS HOLD IONIZER WIRE TO CELL. M1540C

1. Hook the eyelet on one end of the wire over the spring connector on one end of the cell. Be careful to avoid damaging spring connectors or other parts of the cells.
2. Hold the opposite eyelet with a needle nose pliers and stretch the wire the length of the cell. Depress the opposite spring connector and hook the eyelet over it.
3. Check the cell for short circuits using an ohmmeter; see the figure to the right. Check the resistance between the frame of the cell and both the ionizer and the collector contacts. In each case, the resistance should be infinite.



Modification to Reduce Ozone Odor

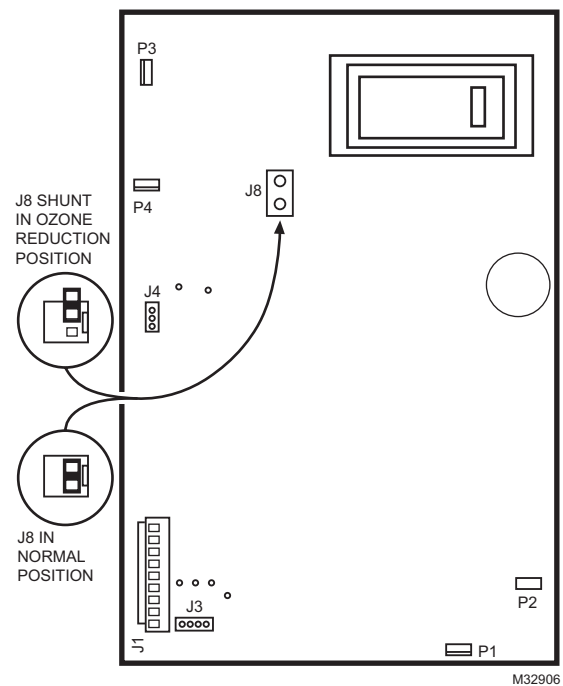
CAUTION

- Electric Shock Hazard.
- Can cause personal injury.
- Always disconnect power and open access door before opening power supply cover.

The electronic air cleaner generates a small amount of ozone in normal operation. During the first week or two of operation, the amount may be higher because of sharp edges on some of the new high voltage metal parts. Normal use quickly dulls these edges.

If desired, the ozone generated by the air cleaner can be reduced in one of two ways:

1. Install an activated carbon filter downstream from the air cleaner. Make sure particles from the air filter cannot fall into the air cleaner.
2. Move J8 shorting bar. This will reduce ozone production about 20 to 25 percent and reduce efficiency about seven to ten percent, depending on actual airflow delivered by the furnace blower.
 - a. Unplug or disconnect power supply to the air cleaner.
 - b. Open the access door. See procedure and figure on page 13.
 - c. Remove the power box cover. See procedure and figure on page 13.
 - d. Move J8 shorting bar. See figure to right.



Replacement Parts

No.	Description	Nominal Return Air Opening				
		16 x 20 in. (406 x 508 mm)	16 x 25 in. (406 x 635 mm)	20 x 12-1/2 in. (508 x 318mm)	20 x 20 in. (508 x 508 mm)	20 x 25 in. (508 x 635 mm)
1	F300 Door includes No. 2	32007528-003		N/A	32007528-003	
2	Test Button Assembly	137980A (1)				
3	Electronic Cell	FC37A1114 (2)	FC37A1130 (2)	FC37A1064 (1)	FC37A1049 (2)	FC37A1064 (2)
4	Cell Handle	137266 (2)	137266 (2)	137266 (1)	137266 (2)	137266 (1)
5	Prefilter (without spring clips)	209989 (2)	209989 (2)	209989 (1)	209989 (2)	209989 (2)
6	Cell Key	136518 (1)				
7	F300 Power Box Assembly Series Two ^b . Includes No. 8-20. 120V, 60 Hz. White Cover.	PS1201B20 (1)	PS1201B25 (1)	PS1201B12 ^d	PS1201B20 (1)	PS1201B25 (1)
	240V, 60 Hz ^c			PS2401B12 ^b		
8	Switch	203321 (1)				
10	F300 Power Supply, Series Two ^b . 120V, 60 Hz	PS1201A00 (1)				
	240V, 60 Hz	N/A ^c				
11	Interlock Bracket and Switch	4074ETG (1)				
13	Terminal Board Assembly Front	203329B (1)	203329B (1)	N/A	N/A	203329B (1)
14	Terminal Board Assembly Rear	203329A (1)		N/A	203329A (1)	
17	Line Cord	4074ETD (1)				
19	Neon Assembly	4074EYS (1)				
20	Airflow Switch, pin connection	4074ETH (1)				
	Airflow Switch, plug connection	4074EZB (1)		N/A	4074EZB (1)	
21	FC37A Bag Assembly for cell repair. Contains: 2 Connector Clips, 1 Terminal Board and instructions	4074EHG				
22	Post Filter (optional)	50000293-001	50000293-002	50000293-004	50000293-003	50000293-004

^b Series Two compatible with W8600F.

^c Use 203365A Conversion Kit for changing 120V, 60 Hz model to 240V, 60 Hz.

^d Change from white cover to black cover as a running change. Use original cover for color match.

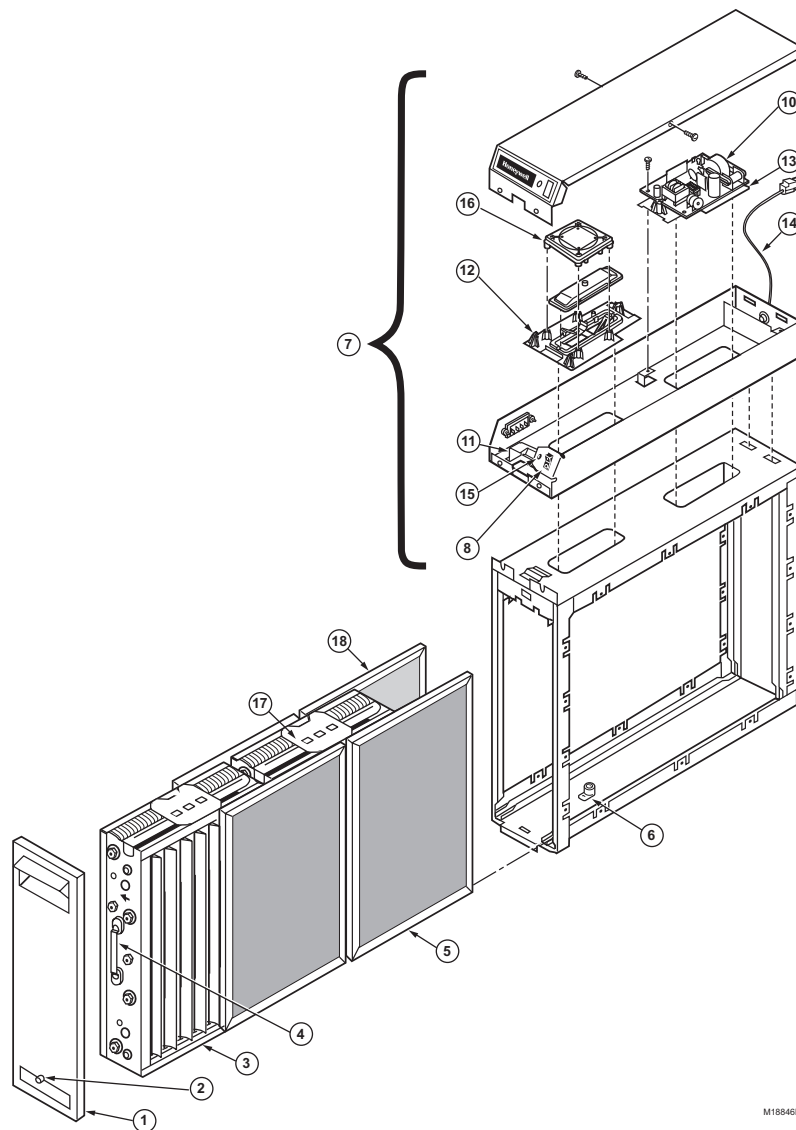
(#) = Quantity required per unit.

N/A = Not available as merchandised part.

Parts and Accessories Not Illustrated

Description	Nominal Return Air Opening				
	16 x 20 in. (406 x 508 mm)	16 x 25 in. (406 x 635 mm)	20 x 12-1/2 in. (508 x 318)	20 x 20 in. (508 x 508 mm)	20 x 25 in. (508 x 635 mm)
Air Cleaner Cabinet Gasket Kit	32002109-001 (Obsolete; only available while supplies last)				
Ionizer Wires (Multiples of 5)	136434BA	136434BA	136434AA	136434AA	136434AA
240V Conversion Kit	203365A	203365A	N/A	203365A	203365A

N/A = Not available as a merchandised part.

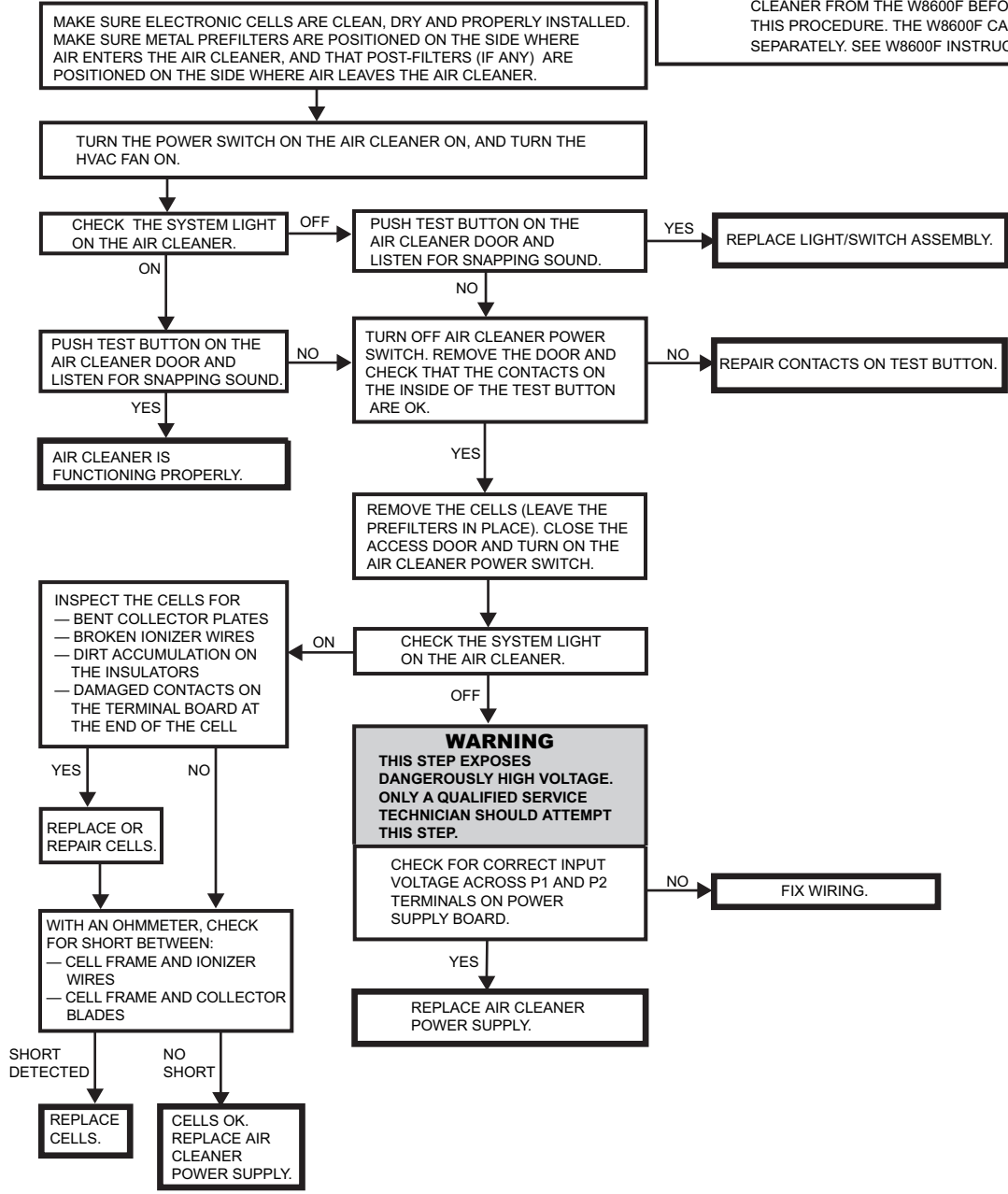


M18846E

ELECTRONIC AIR CLEANER TROUBLESHOOTING GUIDE



TO USE THIS CHART:
 1. FOLLOW THE STEPS IN ORDER; DO NOT SKIP AROUND.
 2. EACH TIME A PROBLEM IS FIXED, GO BACK TO START.
 3. REPEAT ALL THE STEPS UNTIL THE AIR CLEANER CHECKS OUT OK.
 NOTE: IF A W8600F AIR CLEANER MONITOR IS CONNECTED TO THE AIR CLEANER, DISCONNECT THE AIR CLEANER FROM THE W8600F BEFORE STARTING THIS PROCEDURE. THE W8600F CAN BE CHECKED SEPARATELY. SEE W8600F INSTRUCTION SHEET.



THIS AIR CLEANER PRODUCES A TRACE LEVEL OF OZONE AS A BY-PRODUCT OF NORMAL OPERATION, WHICH IS WELL UNDER THE LIMIT PRESCRIBED BY THE U.S. F.D.A. PLEASE REFER TO YOUR OWNERS MANUAL FOR FURTHER INFORMATION. FOR A REPLACEMENT OWNERS MANUAL, CALL 1-800-468-1502 OR VISIT <http://yourhome.honeywell.com>

WARNING
 INCORRECT CONVERSION TO MEDIA AIR CLEANER CAN CAUSE FIRE HAZARD. WHEN CONVERTING AN ELECTRONIC AIR CLEANER TO A MEDIA AIR CLEANER THE POWER SUPPLY MUST BE REMOVED OR PERMANENTLY DISABLED.

M13656

Electronic Air Cleaner Wash Reminder and Postfilter Replacement Schedule

Honeywell recommends that you wash the electronic air cleaner and replace the postfilter at least once per year from the installation date. Use the table below to track your Electronic Air Cleaner maintenance.

Installation Date:			
Date	Air Cleaner Wash	Postfilter Replacement	Initials
	<input type="checkbox"/>	<input type="checkbox"/>	
	<input type="checkbox"/>	<input type="checkbox"/>	
	<input type="checkbox"/>	<input type="checkbox"/>	
	<input type="checkbox"/>	<input type="checkbox"/>	
	<input type="checkbox"/>	<input type="checkbox"/>	
	<input type="checkbox"/>	<input type="checkbox"/>	
	<input type="checkbox"/>	<input type="checkbox"/>	
	<input type="checkbox"/>	<input type="checkbox"/>	
	<input type="checkbox"/>	<input type="checkbox"/>	
	<input type="checkbox"/>	<input type="checkbox"/>	
	<input type="checkbox"/>	<input type="checkbox"/>	
	<input type="checkbox"/>	<input type="checkbox"/>	
	<input type="checkbox"/>	<input type="checkbox"/>	

Automation and Control Solutions

Honeywell International Inc.

1985 Douglas Drive North

Golden Valley, MN 55422

<http://customer.honeywell.com>

© U.S. Registered Trademark
© 2012 Honeywell International Inc.
68-0240EF—08 M.S. Rev. 09-12
Printed in U.S.A.

Honeywell

Épurateur d'air amélioré TrueCLEAN™

PROFESSIONAL INSTALLATION GUIDE
GUIDE D'INSTALLATION PROFESSIONNELLE

POUR
COMMENCER

MONTAGE

CÂBLAGE

DONNÉES
TECHNIQUES

FONCTIONNEMENT
ET RÉPARATION

ANNEXES



INCLUS DANS CETTE BOÎTE



Outils requis pour installer l'épurateur d'air électronique

- ◆ Tournevis normal
- ◆ Tournevis cruciforme
- ◆ Cisailles à tôle
- ◆ Perceuse
- ◆ Produit d'étanchéité de gaine
- ◆ Pincés de verrouillage

Post-filtres à fibres de recharge

Dimension de l'épurateur (po)	Référence de pièce
12,5 x 20	50000293-004
16 x 25	50000293-002
16 x 20	50000293-001
20 x 25	50000293-004
20 x 20	50000293-003



Épurateur d'air amélioré TrueCLEAN™

À propos de l'épurateur d'air électronique de Honeywell	2	Entretien	14
Lors de l'installation du produit.....	2	Caractéristiques techniques	14
Fonctionnement	2	Efficacité fractionnelle	14
Considérations relatives à l'application ...	3	Température nominale.....	15
Modèles.....	3	Caractéristiques électriques.....	15
Climatisation.....	3	Montage	15
Humidificateurs.....	3	Homologations	15
Admission d'air extérieur	4	Accessoires	15
Lampes UV.....	4	Pièces de rechange.....	15
Gaine.....	5	Capacité et chute de pression.....	16
Transitions	5	Dimensions.....	17
Aubes directrices.....	5	Poids.....	18
Déviations.....	5	Entretien	18
Exigences d'installation importantes	6	Nettoyage des cellules et des préfiltres.....	18
Sécurité personnelle.....	6	Nettoyage du préfiltre	18
Avant le montage.....	6	Nettoyage des cellules	19
Pour le remplacement d'un ancien		Remplacement du post-filtre	19
épurateur à air	6	Lavage des cellules dans un récipient.....	19
Sélection de la position de montage	6	Lavage dans un lave-vaisselle automatique.....	20
Montage de l'épurateur d'air électronique		Lavage des cellules à la station de lavage	
F300	9	automobile.....	21
ÉTAPE 4 : Installation des aubes directrices	10	Réinstallation des cellules et des préfiltres	21
ÉTAPE 5 : Fixation de l'armoire aux gaines	10	Remplacement des post-filtres à fibres	21
ÉTAPE 6 : Connexion des gaines.....	10	Remplacement des fils de l'ionisateur.....	21
ÉTAPE 7 : Étanchéification des joints.....	10	Modification pour réduire l'odeur d'ozone	22
ÉTAPE 8 : Positionnement de la clavette de		Pièces de rechange.....	23
cellule	10	Pièces et accessoires non illustrés	24
ÉTAPE 9 : Fixation des poignées de cellule.....	11	Rappel de lavage de l'épurateur d'air	
ÉTAPE 10 : Remontage de l'épurateur d'air.....	11	électronique et calendrier de remplacement	
ÉTAPE 11 : Fin du câblage.....	11	des post-filtres	26
Vérification	13		
Vérification du fonctionnement de			
l'épurateur d'air.....	14		



BESOIN D'AIDE? Pour obtenir de l'aide sur ce produit, prière de visiter le site

<http://yourhome.honeywell.com>

ou d'appeler le service d'assistance à la clientèle de Honeywell au 1-800-468-1502.

Lire et conserver ces instructions.

© Marque de commerce déposée américaine. Brevets en instance. Copyright © 2012 Honeywell International Inc. Tous droits réservés.

À propos de l'épurateur d'air électronique de Honeywell

Félicitations pour votre choix de l'épurateur d'air électronique Honeywell pour votre système de confort d'intérieur! L'épurateur d'air électronique F300 capture et retire une quantité considérable de particules contenues dans l'air circulant par le filtre à fibres à plis haute efficacité. L'épurateur d'air électronique se monte facilement dans toutes les positions dans la gaine d'air de retour de tout appareil de chauffage à gaz, mazout, électrique et air pulsé et les systèmes de refroidissement par compresseur jusqu'à 5 tonnes.

Lors de l'installation du produit...

1. Lisez attentivement ces instructions. Le non-respect des instructions peut endommager le produit ou provoquer une situation dangereuse.
2. Vérifiez les caractéristiques nominales indiquées dans les instructions et sur le produit pour s'assurer que le produit correspond bien à l'application prévue.
3. L'installateur doit être un technicien expérimenté ayant reçu la formation adéquate.
4. Une fois l'installation terminée, vérifiez que le produit fonctionne comme indiqué dans ces instructions.

Fonctionnement

Les grosses particules (peluche, cheveux) sont piégées dans le préfiltre. Au fur et à mesure que l'air sale passe par le champ électrique haute tension intense entourant les fils de l'ionisateur, toutes les particules reçoivent une charge électrique.

L'air passe ensuite par l'élément collecteur de la cellule où des plaques parallèles alternantes sont chargées positivement et négativement, créant un champ électrostatique uniforme. Les particules chargées sont attirées et recueillies sur les plaques de charge électrique opposée.

L'air passe ensuite par les post-filtres à fibres, retirant d'autres particules du flux d'air. L'air sortant de l'épurateur a moins de particules. À chaque passage de l'air par l'épurateur d'air électronique, plus de particules sont retirées.

Considérations relatives à l'application

L'épurateur d'air électronique F300 de Honeywell est conçu pour fonctionner avec les appareils de chauffage à gaz, mazout, électrique et air pulsé et les systèmes de refroidissement par compresseur. Il peut aussi être utilisé avec des thermopompes uniquement si le filtre est remplacé régulièrement pour éviter les chutes de pression excessives. L'épurateur d'air électronique F300 n'est pas recommandé dans les applications pour lesquelles une chute de pression peut avoir de graves conséquences.

Modèles

F300E : Inclut armoire, porte d'accès, bloc d'alimentation à semi-conducteur, deux cellules électroniques, deux préfiltres à mailles en métal et deux postfiltres à fibres.

F300A, B : Inclut armoire, porte d'accès, bloc d'alimentation à semi-conducteur, deux cellules électroniques et deux préfiltres à mailles en métal.



Climatisation

Montez l'épurateur d'air électronique en amont du serpentin d'évaporation du système de refroidissement. Le filtre permet de maintenir la propreté du serpentin et de réduire l'entretien.

Humidificateurs

Un humidificateur à évaporation peut être monté en amont de l'épurateur d'air. Un humidificateur à atomisation peut être monté en aval de l'épurateur d'air, même si des sels d'eau dure sont soufflés dans les pièces habitables et déposés sous forme de poussière. Si un humidificateur à évaporation peut être monté en amont de l'épurateur d'air :

1. Montez-le aussi loin que possible en amont de l'épurateur d'air.
2. Installez un filtre de chaudière jetable standard entre l'humidificateur et l'épurateur d'air pour piéger les gouttes d'eau et les sels d'eau dure.
3. Nettoyez fréquemment l'épurateur d'air pour empêcher l'accumulation de sels d'eau dure.

REMARQUE : Le volume d'eau déchargé d'un humidificateur à atomisation peut surcharger l'épurateur d'air, entraînant des dépôts de sels d'eau dur sous forme de poussière dans les espaces habitables.

Admission d'air extérieur

La température de l'air de retour doit être d'au moins 4 °C (40 °F). Des températures inférieures peuvent aussi causer une panne des fils de l'ionisateur. Si de l'air extérieur est utilisé, réchauffez-le en amont de l'épurateur d'air en :

- Vous assurant que l'admission d'air extérieur est suffisamment en amont de l'épurateur d'air pour que l'air de retour et extérieur soient bien mélangés. L'air stratifié peut dégager un flux d'air très froid dans une section de l'épurateur d'air.
- Ajoutant des déflecteurs en amont de l'épurateur d'air pour assurer un bon mélange de l'air.
- Installant un système de ventilation à air frais TrueFRESH™ de Honeywell pour transférer jusqu'à 80 % de la chaleur de l'air d'échappement à l'air extérieur entrant. Ceci permet de maintenir l'air entrant à une température supérieure à 4 °C (40 °F) et de réduire les coûts d'énergie.
- Installant un préchauffage si de grands volumes d'air extérieur sont utilisés. Le préchauffage, qui peut être un réchauffeur à lame électrique ou un serpentin à eau chaude, doit être contrôlé par un thermostat. Les serpentins à eau chaude ou à vapeur doivent être protégés par une protection contre le gel.

Lampes UV

Les lampes UV germicides peuvent endommager le post-filtre à fibres. Elles doivent être situées hors de l'axe directe ou à un minimum de 3 pieds du filtre. Dans le cas contraire, le filtre doit être remplacé plus fréquemment.

Gaine

L'épurateur d'air électronique peut être adapté à tous les systèmes de chauffage et de refroidissement à air pulsé neufs ou existants utilisés dans les applications résidentielles. Des transitions ou des aubes directrices peuvent être requises dans certaines applications pour une épuration de l'air plus efficace.

Transitions

Pour un nettoyage de l'air optimal, le débit d'air doit passer uniformément sur la face de l'épurateur. Si la taille de la gaine est différente de l'armoire de l'épurateur à air électronique, des transitions graduelles sont requises. Suivez ces instructions lors de la fabrication :

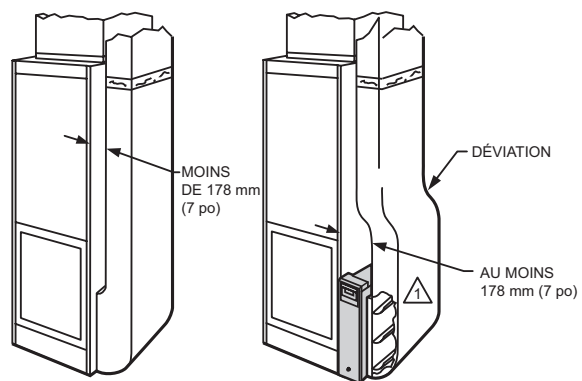
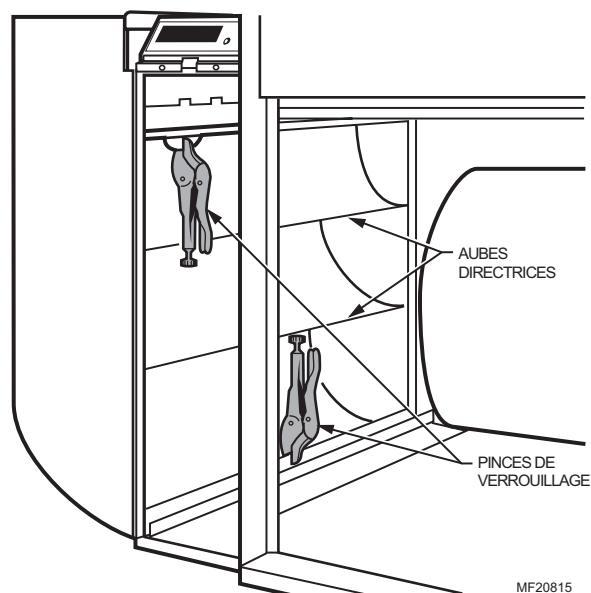
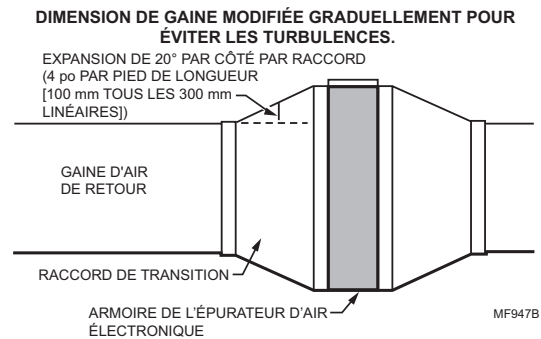
- Utilisez des transitions graduelles pour réduire les turbulences de l'air et augmenter l'efficacité.
- Utilisez des expansions de 20° maximum (environ 4 po par pied de longueur [100 mm tous les 300 mm linéaires]) de chaque côté du raccord de transition.

Aubes directrices

Si l'épurateur d'air électronique est installé près d'un coude ou d'un raccord à angle, ajoutez des aubes directrices dans le coude pour distribuer le débit de façon plus uniforme sur la face de la cellule.

Déviations

Si la connexion de la gaine à la chaudière dans une installation latérale alloue un espace inférieur à 7 po (178 mm) pour le montage de l'armoire de l'épurateur d'air électronique, attachez une déviation au coude.



⚠ AUBES DIRECTRICES REQUISES POUR UNE DISTRIBUTION UNIFORME DU DÉBIT D'AIR

MF948B

Exigences d'installation importantes

Le non-respect de ces exigences annulera la garantie, nuira à l'installation et entraînera des appels de service injustifiés.

POUR
COMMENCER

Sécurité personnelle

- Portez des lunettes de protection lors de l'installation de l'unité.
- Veillez à ne pas entailler la conduite électrique ou de climatisation.
- Respectez les normes de sécurité professionnelles et les codes de plomberie et d'électricité et d'installations mécaniques.

Avant le montage

- En consultant la figure sur le couvercle et les listes dans le couvercle intérieur, assurez-vous que tous les composants requis pour le modèle d'épurateur d'air électronique de Honeywell et tous les outils pour l'installation sont présents.
- Assurez-vous que la direction du débit d'air par l'épurateur d'air électronique de Honeywell correspond aux flèches sur la cellule électronique. Les flèches doivent pointer dans la direction du flux d'air.
- Choisissez un emplacement facilement accessible pour la vérification et le nettoyage des cellules. Allouez au moins 330 mm (13 po) devant la porte d'accès pour le retrait du préfiltre à maille métallique, du post-filtre à fibres et de la cellule électronique. Allouez un espace suffisant au-dessus du bloc d'alimentation pour faire l'entretien sans retirer les canalisations, les gaines et les autres organes du système de chauffage.
- Installez l'épurateur d'air électronique à un endroit où la température ne dépasse pas les valeurs indiquées dans la section Caractéristiques techniques.
- Ne montez pas l'appareil dans le conduit d'alimentation d'air.

REMARQUE : De manière générale, le meilleur emplacement est dans la gaine d'air de retour près du compartiment de la soufflante pour favoriser la propreté du moteur de la soufflante et des serpentins d'évaporation.

Pour le remplacement d'un ancien épurateur à air

Si l'épurateur à air électronique de Honeywell n'est pas identique au filtre à air existant en matière de taille et de forme, avant d'effectuer une installation de modernisation, il peut être nécessaire d'ajouter des transitions de gaine pour assurer un débit d'air régulier. Pour assurer une performance optimale du système, nettoyez les cellules tous les six à douze mois (avant la saison de chauffage et avant la saison de refroidissement). Réglez le programme en fonction des besoins, mais nettoyez les cellules au moins une fois par an.

Sélection de la position de montage

L'épurateur d'air électronique se monte dans n'importe quelle position dans la gaine d'air de retour, en général près du compartiment de la soufflante de la chaudière, mais la flèche du filtre doit pointer dans la direction du débit d'air. Voir les Fig. 1-8 pour l'emplacement de l'épurateur d'air électronique pour une variété d'installations d'appareils de chauffage.

REMARQUE : L'armoire de l'épurateur d'air électronique est suffisamment robuste pour aisément soutenir le poids de la chaudière et du serpentins d'évaporation.

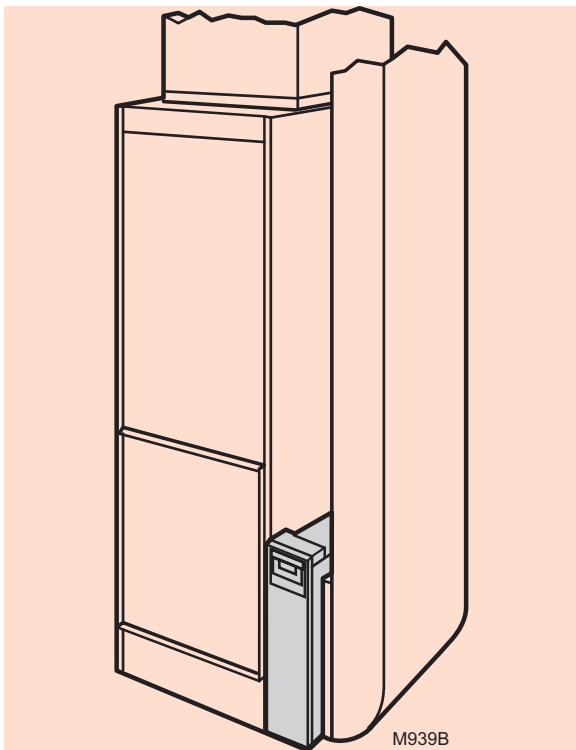


Fig. 1. Chaudière superposée avec installation latérale. L'épurateur d'air électronique se monte verticalement à l'endroit où l'air de retour pénètre dans l'entrée latérale de la chaudière.

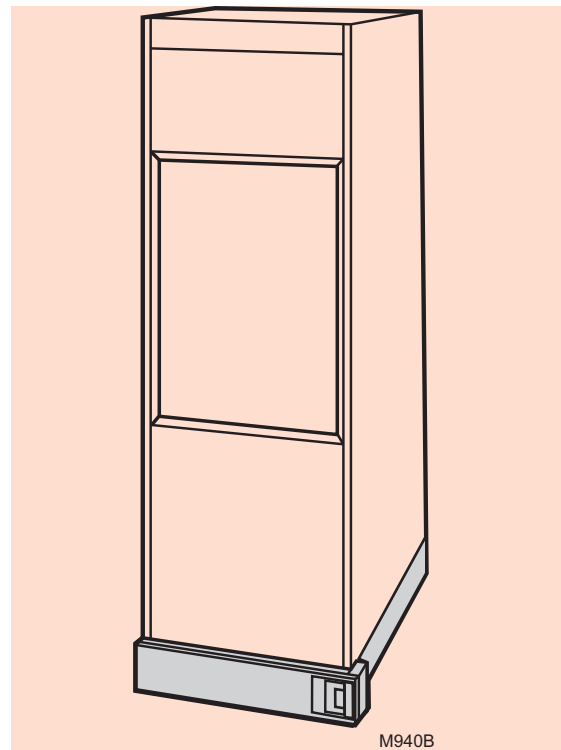


Fig. 2. Chaudière superposée avec installation sous la chaudière. L'épurateur d'air électronique se monte horizontalement à l'endroit où l'air de retour pénètre par en dessous.

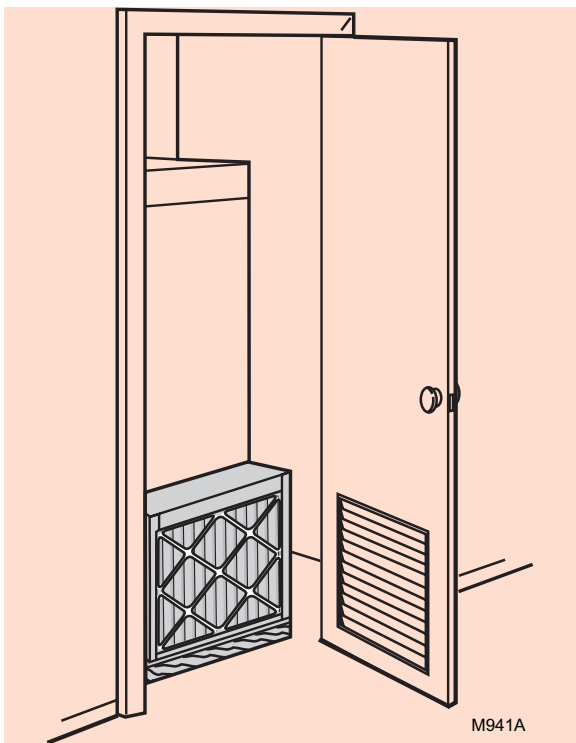


Fig. 3. Chaudière superposée avec installation dans un placard. L'épurateur d'air électronique se monte verticalement sur la chaudière entre cette dernière et l'ouverture de l'air de retour à volets de la porte du placard.

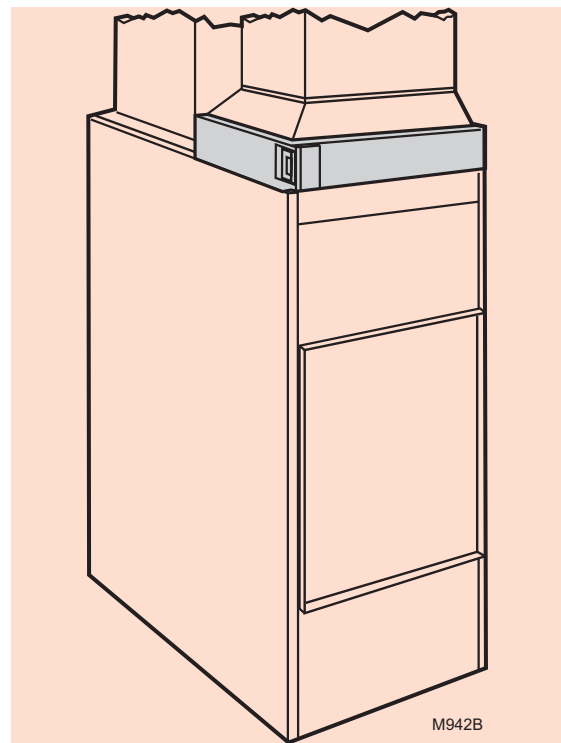


Fig. 4. Chaudière juxtaposée avec épurateur d'air électronique monté horizontalement dans le plénum de retour juste au-dessus de la chaudière et à l'opposé du plénum de chauffage.

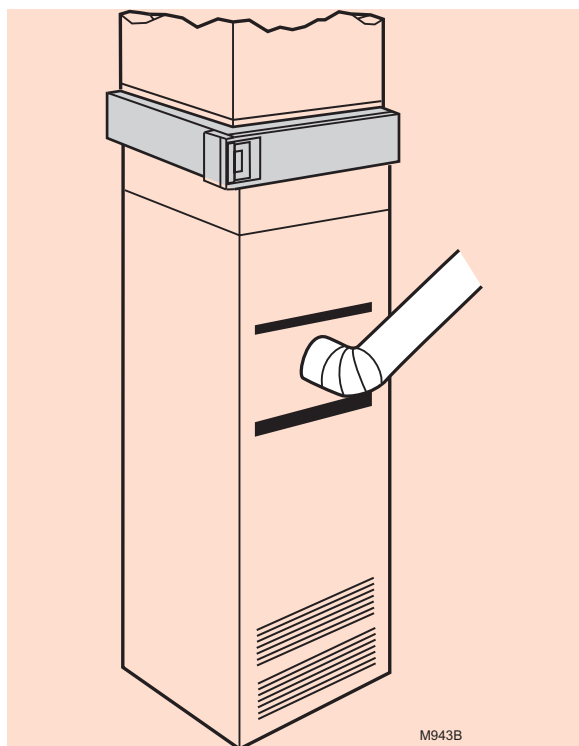


Fig. 5. Chaudière à contre courant avec épurateur d'air électronique monté horizontalement dans la gaine de retour ou le plénum juste au-dessus de la chaudière.

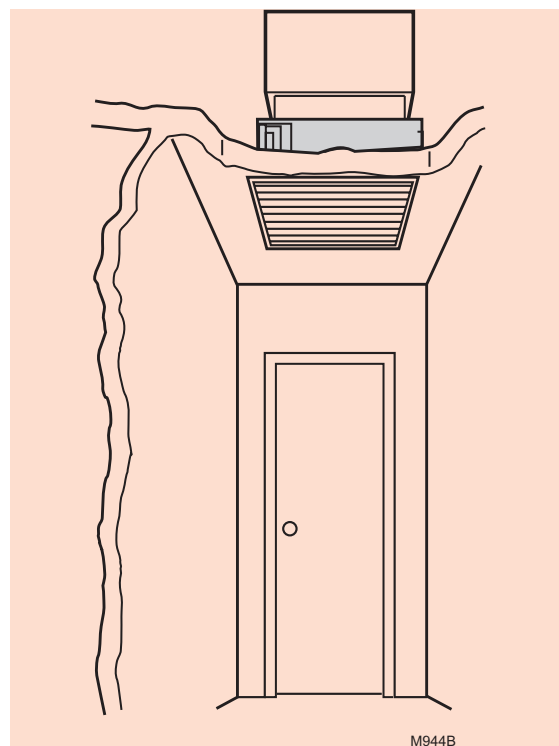


Fig. 6. Installation de ventilation centrale avec épurateur d'air électronique monté horizontalement dans la gaine de retour centrale.

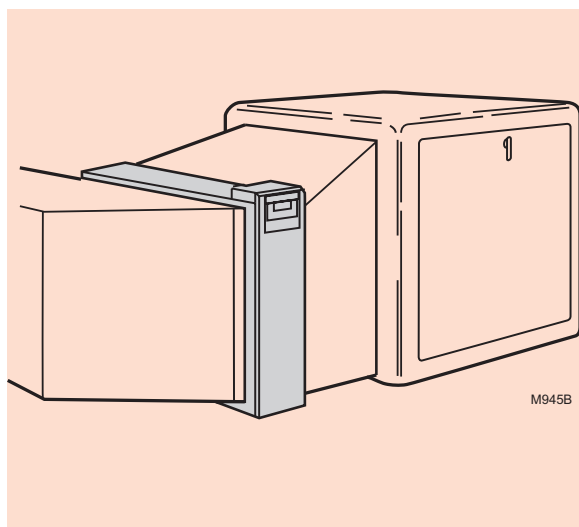


Fig. 7. Chaudière horizontale avec épurateur d'air électronique monté verticalement dans la gaine de retour près de la chaudière.

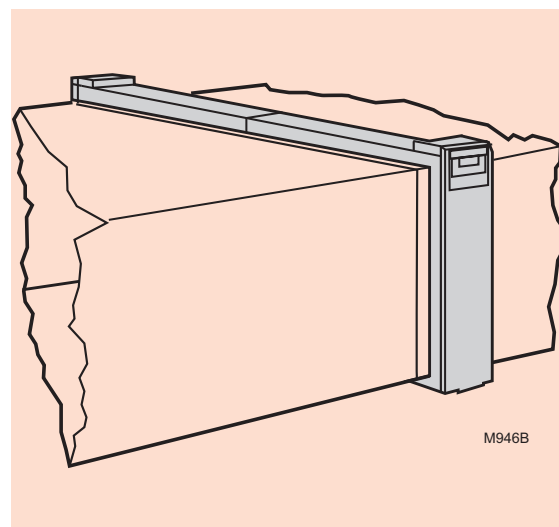


Fig. 8. Deux épurateurs d'air électronique ou plus utilisés dans un système haute capacité.

Montage de l'épurateur d'air électronique F300

La procédure suivante décrit une installation latérale typique sur une chaudière superposée existante (Fig. 1). Les autres procédures sont indiquées selon le besoin. D'autres modifications des procédures d'installation peuvent être nécessaires pour terminer l'installation.

ÉTAPE 1 : Déballage de l'épurateur d'air électronique

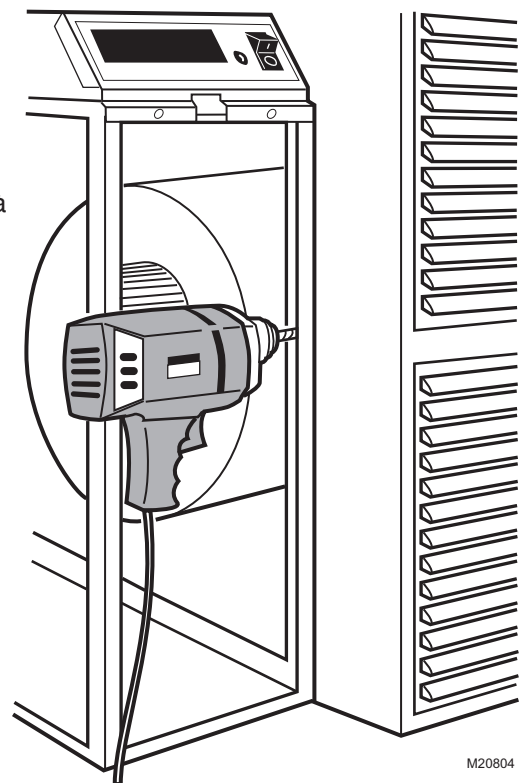
- Vérifiez que tous les composants sont présents. L'épurateur d'air électronique est expédié assemblé. L'unité comprend une armoire en acier galvanisé, un bloc d'alimentation avec interrupteur marche/arrêt et lampe néon, deux cellules électroniques, deux préfiltres à maille métallique, deux post-filtres à fibres (sur certains modèles), une porte d'accès et la documentation relative au produit.

ÉTAPE 2 : Nettoyage du compartiment de la soufflante

- Retirez l'ancien filtre et jetez-le.
- Nettoyez en profondeur le compartiment de la soufflante.
- Si possible, nettoyez les gaines à l'aspirateur pour retirer la poussière accumulée dans une maison occupée ou la poussière de construction dans une maison nouvellement construite. L'épurateur d'air électronique ne peut pas retirer la poussière accumulée dans le compartiment de la soufflante et des gaines de distribution.
- Contrôlez les bords des pales du ventilateur de la chaudière pour détecter l'accumulation de saleté éventuelle et l'ôter. Le ventilateur ne fournira pas le débit nominal (pi³/min) si les pales sont sales.

ÉTAPE 3 : Fixation de l'armoire à la chaudière

- Retirez la porte d'accès, les cellules électroniques, les préfiltres à maille métallique et les post-filtres à fibres.
- Alignez l'armoire sur l'ouverture de l'air de retour.
- Créez une ouverture dans l'appareil de chauffage correspondant à l'ouverture de l'armoire.
- Installez une transition si les ouvertures de la chaudière et de l'épurateur d'air sont de taille différente. Consultez Transitions à la page 5.
- Placez des cales sous l'armoire pour que l'unité soit fermement soutenue et mise à niveau. Le pied de montage de 16 mm (5/8 po) de la plaque d'articulation de l'armoire fournit le dégagement minimum requis pour l'articulation de la porte d'accès.
- Attachez fermement l'armoire à la chaudière. L'unité peut être attachée directement, comme illustré, ou un collet de départ peut être installé sur l'ouverture de la chaudière. Percez des trous et fixez avec des vis à tôle ou des rivets, ou utilisez des joints coulissants.



ÉTAPE 4 : Installation des aubes directrices

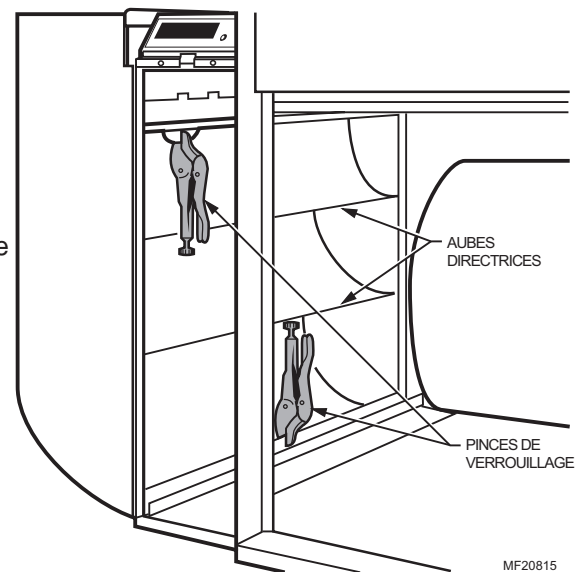
Installez les aubes directrices pour favoriser une distribution égale de l'air sur toute la surface du côté en amont de l'épurateur d'air. Installez-les lorsqu'un coude à 90° abrupt est installé directement contre l'armoire de l'épurateur d'air électronique.

ÉTAPE 5 : Fixation de l'armoire aux gaines

Attachez le côté de l'armoire aux gaines à l'aide de vis à tôle, de rivets ou de joints coulissants, selon le besoin.

ÉTAPE 6 : Connexion des gaines

- Connectez la section de gaine verticale au coude. Si la section verticale est située à moins de 178 mm (7 po) du côté de l'appareil de chauffage, raccourcissez la section horizontale ou attachez un raccord de déviation au coude. Consultez la figure à droite.
- Lorsque la gaine est bien alignée, branchez la gaine verticale à la section horizontale.



ÉTAPE 7 : Étanchéification des joints

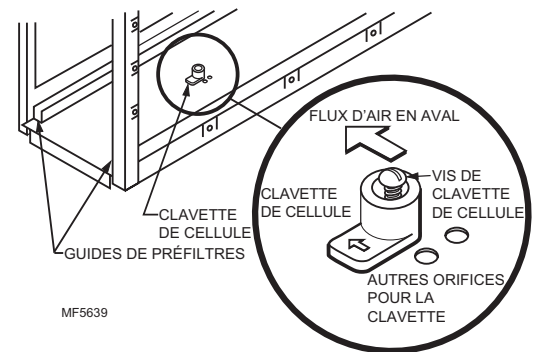
Étanchéifiez tous les joints du système d'air de retour entre l'épurateur d'air et l'appareil de chauffage pour éviter la poussière de pénétrer dans le flux d'air propre.

ÉTAPE 8 : Positionnement de la clavette de cellule

La cellule électronique doit toujours être installée sur la section de l'ionisateur située en amont. Une clavette de cellule installée en usine au bas de l'armoire permet d'insérer la cellule dans une direction seulement. Si la flèche moulée dans la clavette en plastique pointe dans la même direction que le flux d'air, l'ionisateur est toujours situé en amont.

Si la position de la clavette doit être inversée, procédez de la façon suivante :

- Retirez la cellule électronique.
- Retirez la vis maintenant la clavette de la cellule en place.
- Tournez la clavette à l'opposé et placez-la sur les trous opposés. La languette située en bas s'insère dans le trou le plus grand et la vis dans le trou plus petit. Assurez-vous que la flèche de la clavette pointe dans la direction du flux d'air (en aval).
- Serrez la vis dans le nouveau trou.
- Insérez la cellule électronique. La section de l'ionisateur est maintenant située sur le côté admission d'air (en amont) de l'armoire.

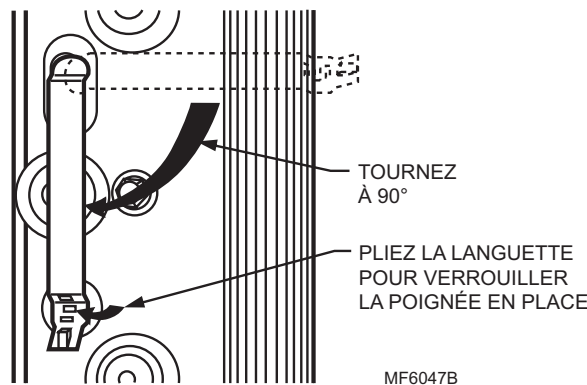


ÉTAPE 9 : Fixation des poignées de cellule

Les poignées de cellules incluses avec l'épurateur d'air doivent être installées à l'extrémité de la cellule le plus près de la porte d'accès. Pour installer :

- Orientez la cellule dans sa position d'installation. La plaque à contacts grise doit être vers le haut et la flèche de flux d'air moulée sur la cellule doit pointer en aval.
- Tenez la poignée latéralement et insérez la languette pleine à l'arrière de la poignée dans la fente de la cellule. Tournez la poignée à 90° dans le sens des aiguilles d'une montre pour aligner la languette divisée dans le trou carré.
- Insérez la languette divisée dans le trou carré.
- Pliez le coin et insérez-le dans la languette divisée pour verrouiller la poignée en position. Si nécessaire, appuyez avec un instrument émoussé, comme l'extrémité d'une pince.

INSTALLEZ LA POIGNÉE À L'EXTRÉMITÉ DE LA CELLULE LA PLUS PROCHE DE LA PORTE D'ACCÈS



ÉTAPE 10 : Remontage de l'épurateur d'air

- Insérez les cellules électroniques avec la plaque à contacts grise vers le bloc d'alimentation et la flèche de débit d'air pointant en aval. Si la cellule ne glisse pas facilement dans l'armoire, vérifiez l'orientation de la clavette de la cellule.
- Insérez les préfiltres à maille métallique dans le côté en amont de l'armoire dans le guide fourni.
- Insérez les post-filtres à fibres (sur certains modèles) sur le côté en aval de l'armoire dans le guide fourni.
- Remplacez la porte d'accès. Insérez la languette au bas de la porte dans la fente de l'armoire, puis faites-la pivoter pour la fermer et poussez-la en place. La porte doit être fermement positionnée pour que l'épurateur d'air fonctionne.

ÉTAPE 11 : Fin du câblage

AVERTISSEMENT

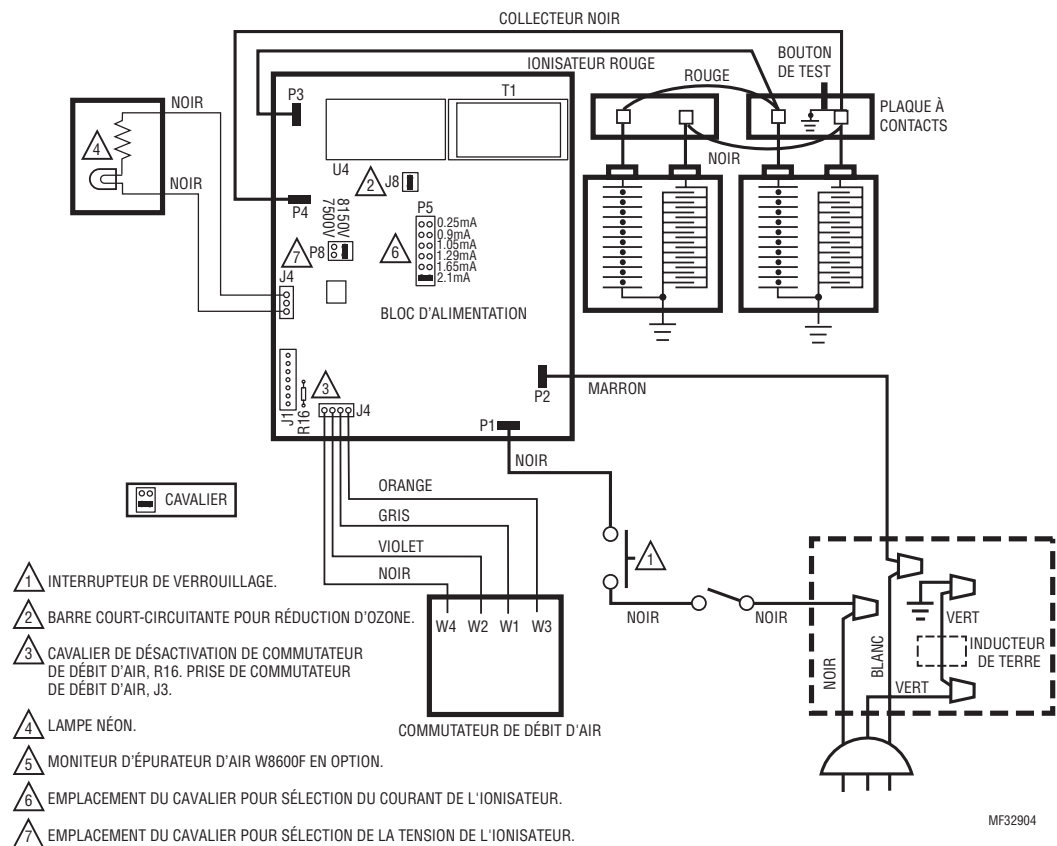
Risque de choc électrique.
Peut causer des blessures.
N'utilisez pas de rallonge électrique.

- Assurez-vous que tout le câblage est conforme aux codes et aux règlements locaux.
- La source d'alimentation secteur doit correspondre à la tension et à la fréquence inscrites sur l'étiquette à l'intérieur de la porte d'accès.
- Lorsque le ventilateur du système se met en marche, le commutateur de débit d'air (AFS) détecte la pression négative dans la gaine et met le bloc d'alimentation en marche. Si l'alimentation de l'épurateur d'air est contrôlée par un autre commutateur, l'AFS peut être désactivé en déconnectant sa broche J3 et en coupant le cavalier R16 vers le bloc d'alimentation.
- Branchez l'épurateur d'air électronique directement dans la prise de tension et de fréquence correctes. Consultez la figure page 12 pour le schéma interne. L'épurateur d'air fonctionne correctement avec n'importe quel ventilateur lorsqu'il est câblé avec le conduit ou branché.

REMARQUE : Pour réduire les risques de choc électrique, cet équipement est muni d'une fiche avec mise à la terre munie d'une troisième broche (mise à la terre). Cette fiche ne convient qu'aux prises avec mise à la terre. Si la fiche ne rentre pas dans la prise, contactez un électricien qualifié pour faire installer la prise correcte. Ne modifiez la fiche en aucune façon.

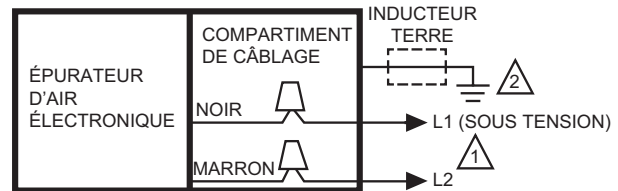
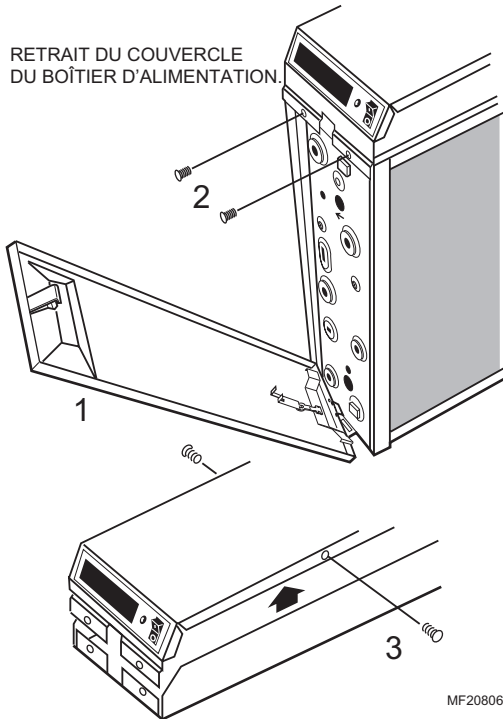
- L'épurateur d'air électronique peut aussi être câblé avec un conduit.

1. Ouvrez la porte d'accès.



2. Retirez et mettez de côté les deux vis situées à l'avant du boîtier d'alimentation et les deux vis situées sur les côtés du boîtier. Consultez la figure page 13.
3. Dans le boîtier d'alimentation, retirez et mettez de côté les deux serre-fils qui connectent les fils du cordon d'alimentation secteur au câblage du boîtier d'alimentation.
4. Retirez le serre-fil pour débrancher l'inducteur de terre du fil vert du cordon d'alimentation.
5. Retirez le cordon d'alimentation et le détendeur.
6. Installez la prise (fournie avec la documentation) dans le trou laissé par le cordon d'alimentation.
7. Attachez le conduit par l'orifice latéral du boîtier d'alimentation.

8. Câblez le fil de terre du cordon d'alimentation à l'inducteur de terre à l'aide du serre-fil. Fixez la connexion de terre à la vis de terre verte sur la barrière du compartiment de câblage.
9. Remplacez le couvercle et la porte d'accès du bloc d'alimentation.



- 1 BLOC D'ALIMENTATION. PLACEZ SI NÉCESSAIRE UN DISPOSITIF DE COUPURE ET UNE PROTECTION CONTRE LES SURCHARGES.
 - 2 L'ÉPURATEUR D'AIR PEUT ÊTRE COMPLÈTEMENT ISOLÉ DU CIRCUIT ÉLECTRIQUE DU SYSTÈME DE CVCA SAUF SI LA RÉGLEMENTATION LOCALE EXIGE D'UTILISER LE MÊME CIRCUIT. TOUT CIRCUIT RÉSIDENTIEL PRATIQUE PEUT ALIMENTER L'ÉPURATEUR D'AIR, INDÉPENDAMMENT DE LA TENSION ÉLECTRIQUE DU SYSTÈME DE CVCA.
- MF32905

Vérification

Vérifiez l'installation visuellement et assurez-vous que :

- Le débit d'air est dans la direction de la flèche sur les cellules électroniques.
- Le préfiltre à maille métallique est sur le côté en amont et le post-filtre à fibres (le cas échéant) est sur le côté en aval.
- Les poignées de cellule sont orientées vers l'extérieur.
- La cellule électronique et le préfiltre sont propres et secs.
- Les aubes directrices et les transitions, le cas échéant, sont correctement installées.
- Les joints dans la tôle entre l'épurateur d'air électronique et le système de chauffage et de refroidissement sont scellés.
- Tous les raccords de tôle sont bien en place.
- Le filtre de chaudière d'origine a été retiré et le compartiment de la soufflante est propre.

Une fois les vérifications terminées :

- Remplacez toutes les portes d'accès retirées durant l'installation ou la vérification.
- Mettez la chaudière ou le système de refroidissement en marche sur un cycle complet pour vous assurer que le système fonctionne correctement.

Vérification du fonctionnement de l'épurateur d'air

Avec tous les composants en place, actionnez l'interrupteur de l'épurateur d'air et **actionnez la soufflante du système. Vérifiez les points de fonctionnement suivants :**

1. La lampe néon près de l'interrupteur marche/arrêt est allumée. La lampe néon indique que l'épurateur d'air est active et que **le bloc d'alimentation haute tension fonctionne correctement.**
2. Désactivez la soufflante du système. La lampe néon doit s'éteindre après quelques secondes.
3. Mettez la soufflante du système en marche. Une fois l'épurateur d'air activé, appuyez sur le bouton de test. Un claquement indique que la tension du collecteur est présente sur la cellule.
4. Avec une soufflante à plusieurs vitesses, répétez les étapes 1 à 3 pour chaque vitesse de ventilateur.

Entretien

L'épurateur d'air doit être nettoyé lorsque la chute de pression atteint 0,5 po c.e. (0,1 kPa) ou une fois par an au minimum. Si l'épurateur d'air est installé en aval d'un humidificateur à pulvérisation ou si l'installation inclut chauffage et refroidissement, un remplacement plus fréquent peut être requis. Les préfiltres obstrués doivent être rapidement remplacés pour éviter les restrictions du débit d'air et une réduction de l'efficacité du système de chauffage/refroidissement. Notez la date d'entretien dans l'espace fourni sur la fiche de rappel de nettoyage de l'épurateur d'air et le calendrier de remplacement du post-filtre.

Caractéristiques techniques

Les caractéristiques techniques de cette publication n'incluent pas les tolérances de fabrication normales. En conséquence, une unité individuelle peut ne pas correspondre exactement aux caractéristiques techniques indiquées. Ce produit est testé et étalonné dans des conditions strictement contrôlées, et des différences de performance mineures peuvent avoir lieu si ces conditions sont différentes.

Efficacité fractionnelle

Taux d'efficacité : Les taux d'efficacité sont basés sur la norme 52.2-1999 de la Société américaine des ingénieurs en chauffage, réfrigération et climatisation (ASHRAE). Ils sont définis pour les petites particules, E1=0,3 à 1 micron; les particules moyennes, E2=1,0 à 3,0 microns; et les grosses particules, E3=3,0 à 10,0 microns.

Tableau 5. Efficacité fractionnelle avec et sans post-filtre.

Avec post-filtre	Sans post-filtre
E1 = Jusqu'à 81 % à 492 pi/m.	E1 = Jusqu'à 73 % à 492 pi/m.
E2 = Jusqu'à 93 % à 492 pi/m.	E2 = Jusqu'à 88 % à 492 pi/m.
E3 = Jusqu'à 99 % à 492 pi/m.	E3 = Jusqu'à 95 % à 492 pi/m.

Température nominale

Température ambiante de service :

4 °C à 52 °C (40 °F à 125 °F)

Température du flux d'air par les cellules :

4 °C à 52 °C (40 °F à 125 °F)

Température maximale de lavage des cellules :

140 °C (220 °F).

Température ambiante de stockage et de transport :

-40 °C à +60 °C (-40 °F à +140 °F).

Caractéristiques électriques

Tension et fréquence :

Modèles disponibles pour 120 V, 60 Hz, 240 V, 60 Hz. Les modèles à 120 V peuvent être convertis sur site à 240 V, 60 Hz ou 220/240 V, 50 Hz avec le nécessaire de conversion 203365A.

Consommation d'énergie :

Modèles à une cellule : 22 W maximum.

Modèles à deux cellules : 36 W maximum.

Appel de courant : Voir le tableau 2.

Tension de l'ionisateur : 8150 V c.c.

Tension du collecteur : 4075 V c.c.

Montage

Montage dans toutes les positions de la gaine d'air de retour, généralement près du compartiment de la soufflante de l'appareil de chauffage. L'armoire est suffisamment robuste pour soutenir le poids d'un appareil de chauffage résidentiel et d'un serpentín d'évaporation.

Homologations

Underwriters Laboratories, Inc. : Fichier E30954.

Accessoires

- Nécessaire de conversion 203365A pour la conversion du bloc d'alimentation de 120 V, 60 Hz à 240 V, 60 Hz ou 220/240 V, 50 Hz.

Pièces de rechange

Consultez la section Pièces de rechange/vue éclatée.

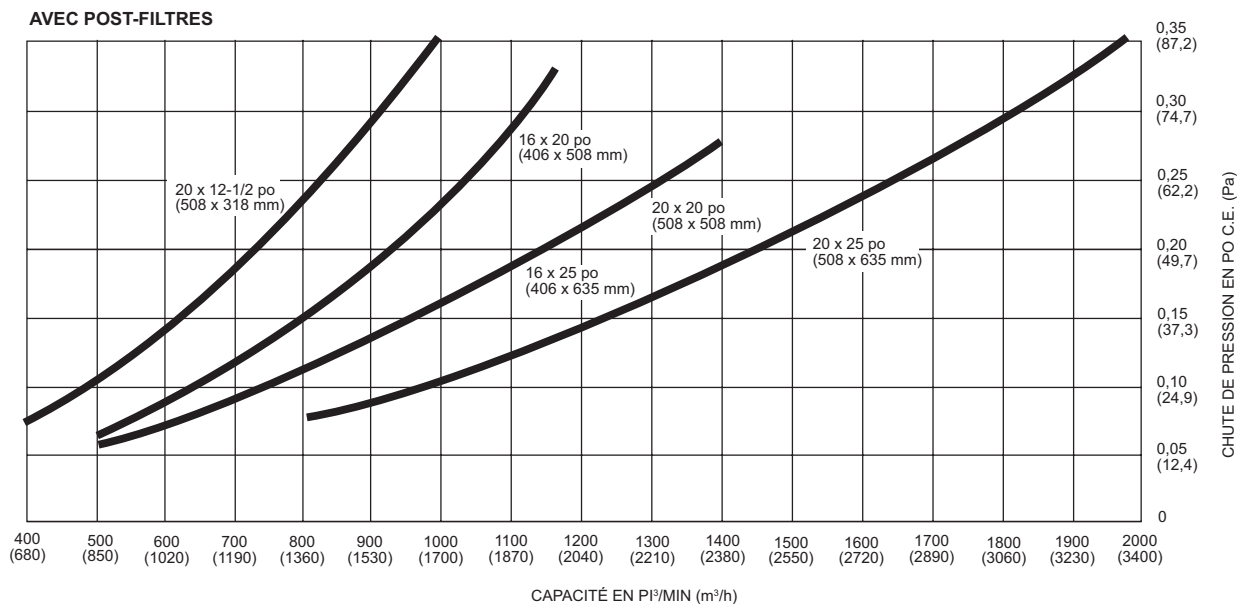
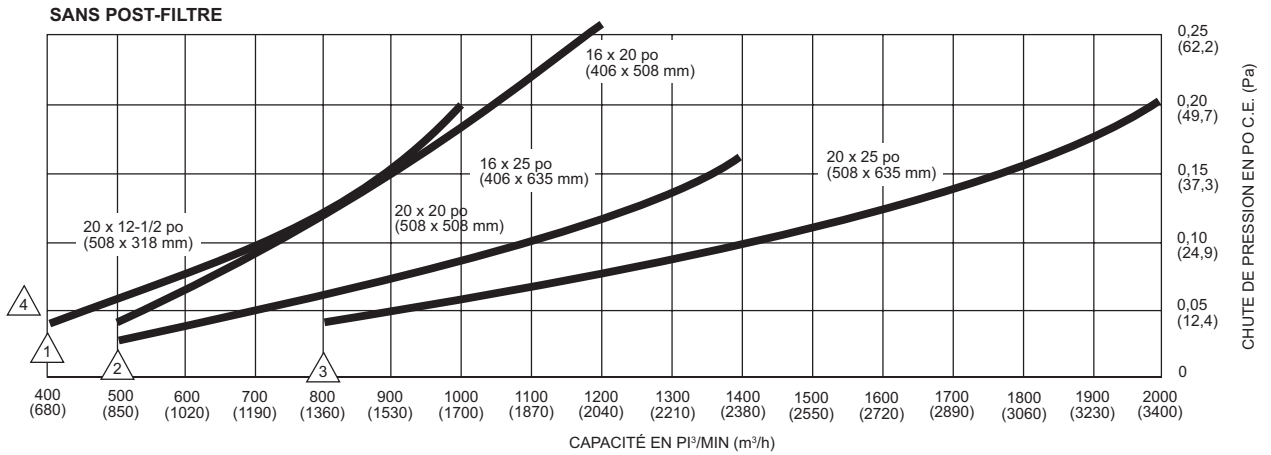
Table 6. Appel de courant

Taille		Nombre de cellules	Courant maximum (A)	
po	mm		120V	220/240V
16 x 25	406 x 635	2	0,4	0,2
20 x 25	508 x 635	2	0,4	0,2
16 x 20	406 x 508	2	0,4	0,2
20 x 20	508 x 508	2	0,4	0,2
20 x 12-1/2	508 x 318	1	0,4	0,2

Capacité et chute de pression

Chute de pression initiale : 0,15 po c.e. à 492 pi/min

EFFICACITÉ ET CHUTE DE PRESSION DE L'ÉPURATEUR D'AIR À DIVERS FLUX D'AIR.

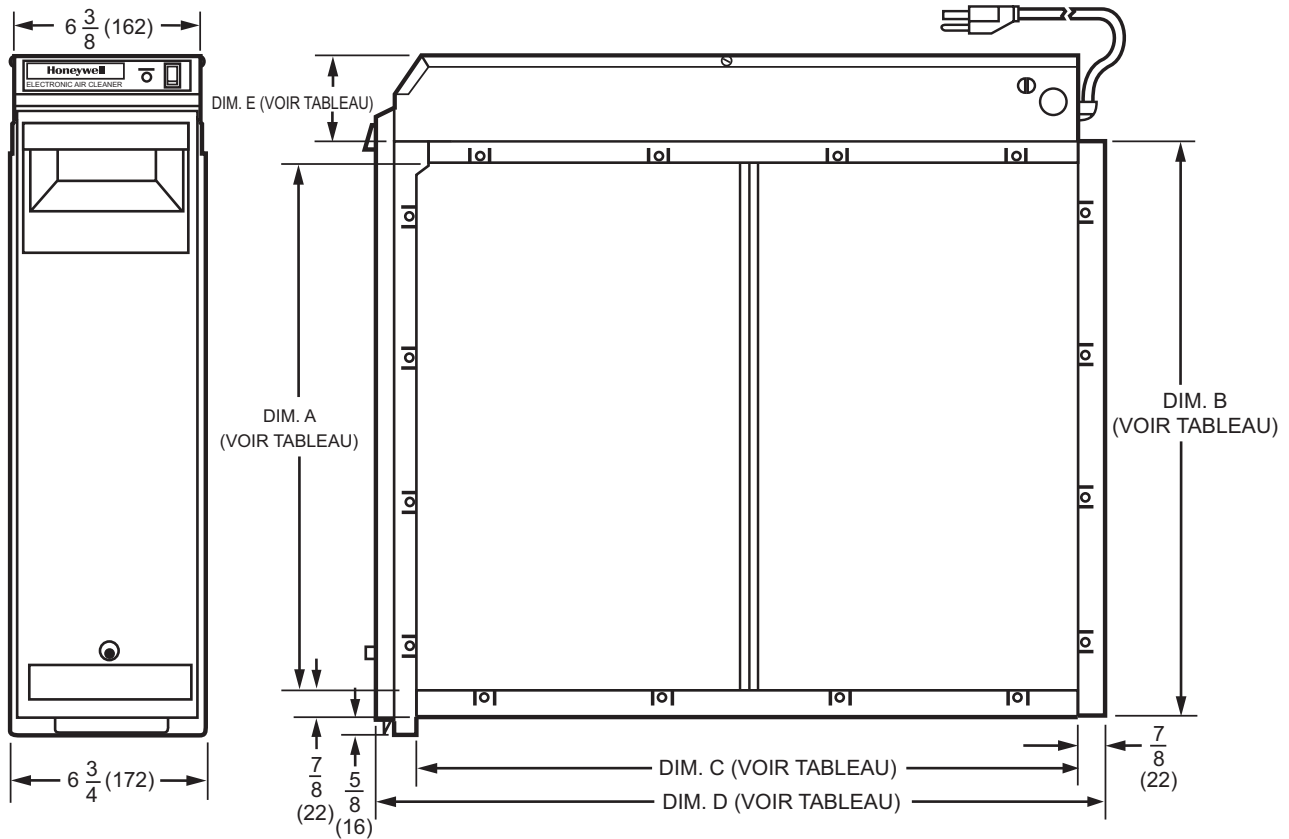


- △1 PI³/MINUTE MINIMUM RECOMMANDÉ POUR MODÈLE 20 x 12-1/2 po (508 x 318 mm).
- △2 PI³/MINUTE MINIMUM RECOMMANDÉ POUR MODÈLES 16 x 25 po (406 x 635 mm), 20 x 20 po (508 x 508 mm), 16 x 20 po (406 x 508 mm).

- △3 PI³/MINUTE MINIMUM RECOMMANDÉ POUR MODÈLE 20 x 25 po (508 x 635 mm).
- △4 SÉLECTIONNEZ LA TAILLE LA MIEUX ADAPTÉE AUX DIMENSIONS DE L'OUVERTURE D'AIR DE RETOUR DE LA CHAUDIÈRE/DU SYSTÈME DE TRAITEMENT DE L'AIR

MF13654

Dimensions



TAILLE F300		DIM. A		DIM. B		DIM. C		DIM. D		DIM. E	
PO	MM	PO	MM	PO	MM	PO	MM	PO	MM	PO	MM
16 X 25	406 X 635	14 7/16	367	16 3/16	411	23 1/4	591	25 1/2	648	2 3/4	70
16 X 20	406 X 508	14 7/16	367	16 3/16	411	18 1/4	457	20 1/2	521	2 3/4	70
20 X 25	508 X 635	18 7/16	468	20 3/16	513	23 1/4	591	25 1/2	648	2 3/4	70
20 X 20	508 X 508	18 7/16	468	20 3/16	513	18 1/4	457	20 1/2	521	2 3/4	70
20 X 12 1/2	508 X 318	18 7/16	468	20 3/16	513	10 7/8	276	13 1/8	333	3 5/8	92

MF2872B

Poids

Article	Poids									
	16 x 20 po (406 x 508 mm)		16 x 25 po (406 x 635 mm)		20 x 12-1/2 po (508 x 318 mm)		20x 20 po (508x 508 mm)		20 x 25 po (508 x 635 mm)	
	lb	kg	lb	kg	lb	kg	lb	kg	lb	kg
Cellule électronique (chaque)	5	2,25	6	2,7	7-1/2	3,4	6-3/16	2,8	7-1/2	3,4
Poids d'expédition	30	13,6	33	15,0	25	11,3	33	15,0	38	17,2
Poids installé (cellules incluses)	26	11,6	28	12,7	21	9,5	29	13,2	33	15,0

Entretien

MISE EN GARDE

Bords coupants

Peut causer des blessures.

Manipulez les cellules avec précaution ou portez des gants de protection pour éviter les coupures dues aux bords métalliques coupants.

Nettoyage des cellules et des préfiltres

Pour assurer une performance optimale de l'épurateur d'air, nettoyez régulièrement les cellules et les préfiltres et remplacez régulièrement les post-filtres, deux fois par an en usage normal ou plus fréquemment en usage intense. La fréquence de lavage varie selon le nombre de membres de la famille, la présence d'animaux domestiques, les activités (cuisine ou menuiserie, ...) et la fumée de tabac. Utilisez le calendrier de rappel d'entretien à la fin de ce document pour établir et maintenir un programme de nettoyage régulier. Conservez le calendrier de rappel d'entretien dans un emplacement pratique.

REMARQUE : Pour que le système de chauffage ou de climatisation puisse fonctionner normalement lors du lavage des cellules, il suffit d'éteindre l'interrupteur de l'épurateur d'air.

Nettoyage du préfiltre

1. La façon la plus simple et rapide de nettoyer vos préfiltres consiste à utiliser la brosse de votre aspirateur pour aspirer la peluche sur le côté sale du préfiltre. La saleté grasse peut nécessiter le trempage du préfiltre dans une baignoire ou un rinçage à l'aide d'un tuyau d'arrosage. Ne lavez pas le préfiltre dans le lave-vaisselle ou dans une station de lavage automobile.
2. Le préfiltre doit être nettoyé tous les six mois ou plus fréquemment lors d'un usage intense. Cela permet d'éviter l'engorgement du préfiltre avec de la peluche, pouvant augmenter le régime de fonctionnement du système.

Nettoyage des cellules

- Pour le nettoyage rapide des cellules, il suffit d'essuyer les fils de l'ionisateur à l'aide d'un chiffon humide. Ceci permet d'accroître l'efficacité de l'épurateur d'air entre les cycles de nettoyage complets. Ce nettoyage rapide peut être effectué lors de chaque nettoyage des préfiltres.
- Un nettoyage complet des cellules rétablira l'efficacité optimale de l'épurateur d'air. Un moyen facile de laver les cellules consiste à les tremper dans un bain d'eau chaude et savonneuse. Faites tremper les cellules jusqu'à ce que l'eau ait refroidi, agitez puis rincez. Pour obtenir des informations détaillées, reportez-vous aux instructions ci-dessous relatives au nettoyage dans un récipient, lave-vaisselle automatique ou lavage des cellules dans une station de lavage automobile.
- Vous pouvez remettre le nettoyage complet des cellules au jour de l'entretien annuel car l'efficacité de l'épurateur d'air demeure élevée, même s'il est chargé de saleté. Un nettoyage rapide peut être effectué plus souvent. Pour atteindre l'efficacité optimale ou en cas d'utilisation intensive, lavez plus souvent les cellules.
- Honeywell recommande d'utiliser un détergent pour lave-vaisselle automatique pour protéger l'aluminium des cellules. Il est déconseillé d'utiliser des nettoyeurs universels ou des nettoyeurs de serpentins car ils risquent de dégrader l'aluminium dans les cellules au cours du temps.

Remplacement du post-filtre

1. Le post-filtre est un filtre en option qui accroît l'efficacité de l'épurateur d'air. Ne lavez pas le post-filtre pour ne pas neutraliser la charge appliquée en usine.
2. Pour assurer des performances optimales, remplacez le post-filtre tous les six mois.

Lavage des cellules dans un récipient

MISE EN GARDE

Produits chimiques dangereux.

Peut causer des blessures.

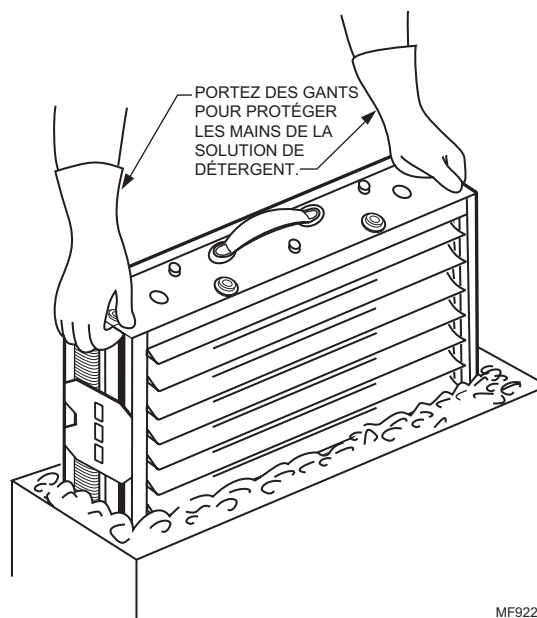
Évitez les éclaboussures de solution de détergent dans les yeux. Portez des gants en caoutchouc pour éviter le contact prolongé du détergent avec la peau. Gardez la solution de détergent hors de portée des enfants.

REMARQUE : Lavez toujours les cellules en premier, puis les préfiltres, pour empêcher la peluche lourde dans le préfiltre d'être piégée dans les cellules.

1. Utilisez un récipient assez grand, comme une cuve à lessive ou à déchets, pouvant recevoir une ou deux cellules.

REMARQUE : Les angles tranchants des cellules peuvent rayer la surface de la baignoire.

2. Dissolvez environ $\frac{3}{4}$ de tasse de détergent pour lave-vaisselle automatique par cellule dans suffisamment d'eau chaude pour couvrir les cellules. Si le détergent ne se dissout pas immédiatement, ou s'il forme de l'écume sur l'eau, essayez une autre marque ou utilisez de l'eau adoucie.



MF922A

3. Une fois le détergent complètement dissout, placez les cellules dans le récipient et laissez tremper pendant 15 à 20 minutes. Agitez plusieurs fois d'un mouvement de va-et-vient puis retirez.
4. Ensuite, lavez les préfiltres en procédant de la même manière. Videz et rincez le récipient de lavage.
5. Rincez les cellules et les préfiltres en pulvérisant vigoureusement de l'eau très chaude, rincez la cuve, puis remplissez-la d'eau chaude propre et laissez tremper pendant 5 à 15 minutes. Rincez jusqu'à ce que l'eau évacuée des cellules et des préfiltres ne soit plus glissante.
6. Trempez les cellules et les préfiltres dans de l'eau claire puis rincer pendant dix minutes.
7. Essuyez les fils de l'ionisateur et de la plaque à contacts sur l'extrémité de la cellule à l'aide d'un petit chiffon humide en utilisant le pouce et l'index.

Lavage dans un lave-vaisselle automatique

REMARQUE : Placez les cellules de lavage dans un récipient avant de les laver dans un lave-vaisselle automatique.

MISE EN GARDE

Risque de brûlures.

Peut causer des blessures.

Laissez les cellules refroidir complètement dans le lave-vaisselle à la fin du cycle de nettoyage ou bien portez des gants de protection pour éviter les brûlures. L'eau chaude peut s'accumuler dans les tuyaux supportant les plaques du collecteur; inclinez les cellules pour évacuer les tuyaux.

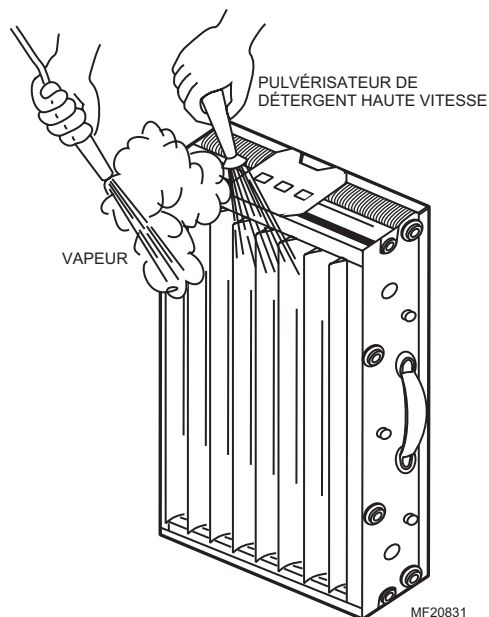
- Consultez le manuel de l'opérateur du lave-vaisselle. Certains fabricants déconseillent le lavage des cellules électroniques dans le lave-vaisselle.
 - Si le lave-vaisselle est muni de bras supérieur et inférieur, positionnez les cellules avec précaution de façon à permettre une bonne circulation de l'eau.
 - Prenez des précautions pour éviter d'endommager les cellules lorsque vous les placez dans le lave-vaisselle. La garantie ne couvre pas les fils d'ionisateur brisés ni les plaques de collecteur tordues.
 - Des cellules extrêmement salies, en particulier par le tabac ou la fumée de cuisine, risquent de décolorer les pièces en plastique et le revêtement de certains lave-vaisselles. Cette décoloration n'est pas nuisible. Pour minimiser ce phénomène, lavez les cellules plus fréquemment ou essayez une autre marque de détergent.
 - Ne laissez pas le lave-vaisselle fonctionner dans le cycle de séchage. Les contaminants non éliminés durant le cycle de lavage seraient « cuits », réduisant l'efficacité de l'épurateur d'air.
1. Placez les cellules dans le panier inférieur du lave-vaisselle, la flèche de flux d'air orientée vers le haut. Il peut être nécessaire de retirer le panier supérieur. Ne bloquez pas le flux d'eau vers le bras supérieur.

REMARQUE : Mettez de grands verres à eau entre les tiges du plateau inférieur et placez la ou les cellules dessus en veillant à ce que les tiges n'abîment pas les lames du collecteur en aluminium.

2. Avec du détergent pour lave-vaisselle normal, faites fonctionner le lave-vaisselle durant un cycle complet de lavage et de rinçage. N'utilisez pas le cycle de séchage. Pour éviter les brûlures, laissez les cellules refroidir complètement avant de les retirer ou portez des gants de protection lors du retrait des cellules. N'oubliez pas que de l'eau peut être présente dans les cellules. Inclinez les cellules pour les vider.
3. Essuyez les fils de l'ionisateur et de la plaque à contacts sur l'extrémité de la cellule à l'aide d'un petit chiffon humide en utilisant le pouce et l'index.
4. Inspectez le lave-vaisselle. Relancez un cycle de lavage et/ou de rinçage à vide s'il reste des résidus ou de la saleté provenant des cellules. S'il y a beaucoup de résidus ou de saleté, lavez les cellules plus souvent ou essayez un détergent différent.

Lavage des cellules à la station de lavage automobile

Utilisez le pulvérisateur à main d'une station de lavage automobile automatique payant pour laver les cellules. Tenez la buse à au moins 60 cm (2 pi) de l'unité pour éviter les dégâts (tels que des fils d'ionisateur cassés ou des plaques de collecteur tordues) dus à l'eau sous haute pression. Suivez la même séquence de lavage et rinçage en suivant la méthode utilisée pour les voitures. Néanmoins, ne cirez pas les cellules. Veillez à bien rincer jusqu'à ce que l'eau qui sort des cellules ne soit plus glissante.



Réinstallation des cellules et des préfiltres

1. Inspectez les cellules pour déceler les fils d'ionisateur cassés ou les plaques de collecteur tordues. Réparez selon le besoin ou faites réviser auprès de la station de réparation des épurateurs d'air Honeywell agréée.
2. Insérez les préfiltres dans les guides de préfiltres en amont.
3. Faites glisser les cellules de l'épurateur d'air de sorte que la flèche du flux d'air pointe en aval et que les poignées soient orientées vers l'extérieur.
4. Fermez bien la porte d'accès.
5. Attendez deux ou trois heures que les cellules sèchent et mettez l'épurateur d'air en marche. Si les cellules et les préfiltres sont mouillés, la lampe néon peut ne pas s'allumer et vous pourrez entendre des décharges disruptives.

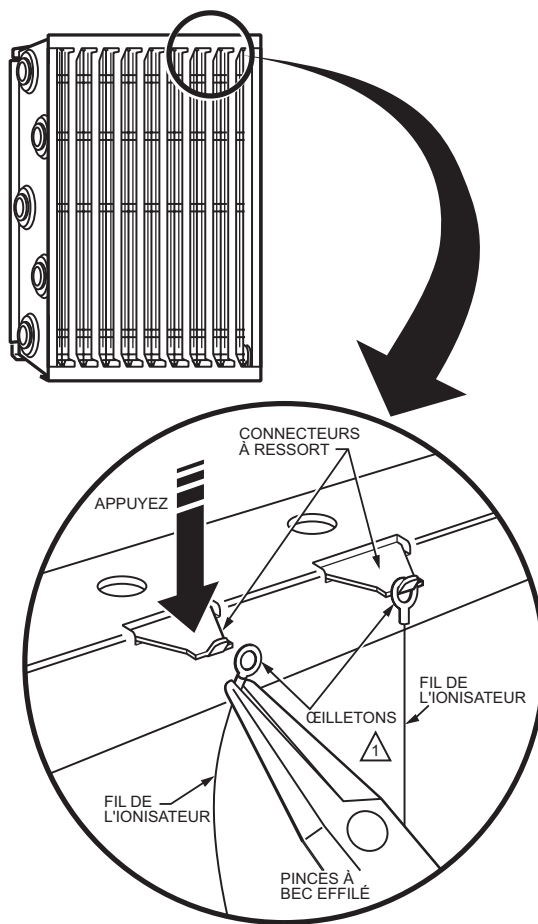
Remplacement des post-filtres à fibres

Pour optimiser l'efficacité de la filtration des post-filtres à fibres, remplacez-les tous les six mois. Des filtres de rechange sont disponibles dans la même taille et la même configuration que l'unité d'origine. Contactez votre distributeur Honeywell local pour acheter des filtres de rechange. Installez les filtres de rechange exactement de la même manière que les filtres fournis avec l'équipement. Utilisez le calendrier de rappel d'entretien à la fin de ce document pour établir et maintenir un calendrier de remplacement régulier. Conservez le calendrier de rappel d'entretien dans un emplacement pratique.

Remplacement des fils de l'ionisateur

Les fils cassés ou tordus peuvent causer des courts-circuits à la masse, résultant souvent en une formation d'arc ou des étincelles. N'utilisez pas les cellules tant que les fils cassés n'ont pas été retirés. Les cellules peuvent être provisoirement utilisées avec un fil manquant, mais remplacez-le dès que possible.

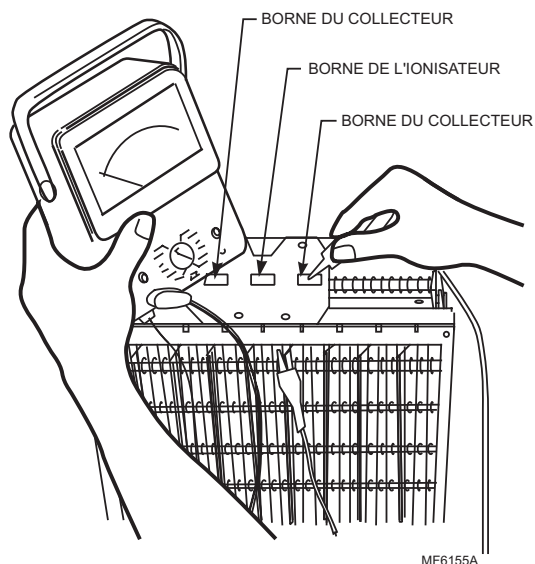
REPLACEMENT D'UN FIL DE L'IONISATEUR



1 DEUX CÉILLETONS FIXENT L'IONISATEUR À LA CELLULE.
MF1540C

Les fils de rechange sont fournis coupés à la longueur appropriée avec des œillets à chaque extrémité pour une installation facile. Consultez la section Pièces et accessoires non illustrés. Pour installer :

1. Accrochez l'œillet à une extrémité du fil par-dessus le connecteur à ressort à une extrémité de la cellule. Veillez à ne pas endommager les connecteurs à ressort ou d'autres pièces des cellules.
2. Tenez l'œillet opposé avec une pince à bec effilé et étirez le fil sur la longueur de la cellule. Appuyez sur le connecteur à ressort opposé et accrochez l'œillet par-dessus.
3. Vérifiez qu'il n'y a pas de court-circuit sur la cellule en utilisant un ohmmètre; consultez la figure à droite. Vérifiez la résistance entre le cadre de la cellule et les contacts de l'ionisateur et du collecteur. Dans chaque cas, la résistance doit être infinie.



MF6155A

Modification pour réduire l'odeur d'ozone

MISE EN GARDE

Risque de choc électrique.

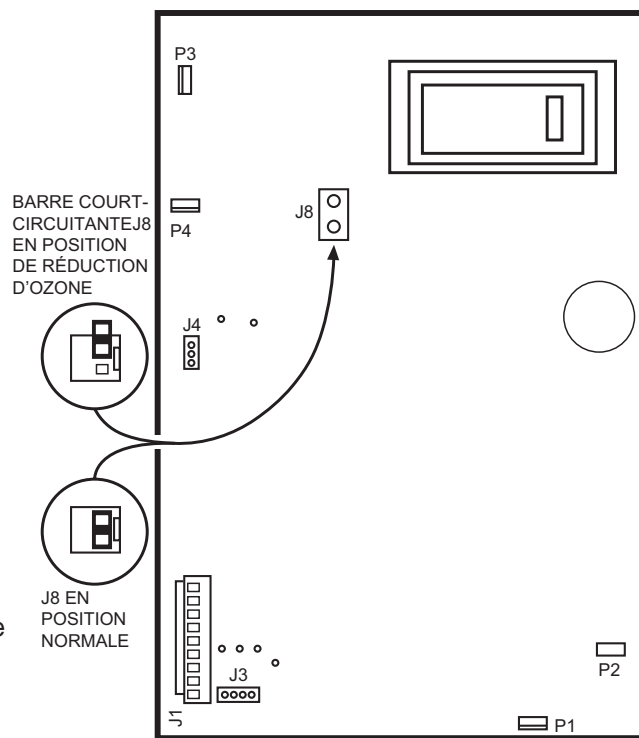
Peut causer des blessures.

Débranchez toujours l'alimentation et ouvrez la porte d'accès avant d'ouvrir le couvercle du bloc d'alimentation.

En fonctionnement normal, l'épurateur d'air électronique génère une petite quantité d'ozone. Durant la première semaine ou les deux premières semaines de fonctionnement, la quantité d'ozone dégagée peut être supérieure en raison des bords coupants présents sur certaines pièces métalliques haute tension neuves. Une utilisation normale permet de rapidement émousser ces bords.

Si cela est souhaité, l'ozone généré par l'épurateur d'air peut être réduit de l'une des deux manières suivantes :

1. Installez un filtre à charbon actif en aval de l'épurateur d'air. Assurez-vous que les particules du filtre à air ne retombent pas sur l'épurateur d'air.
2. Déplacez la barre court-circuitante J8. Ceci permet de réduire la production d'ozone de 20-25 % et de réduire l'efficacité d'environ 7 à 10 % en fonction du flux d'air réel délivré par la soufflante de la chaudière.
 - a. Débranchez ou déconnectez le bloc d'alimentation de l'épurateur d'air.
 - b. Ouvrez la porte d'accès. Consultez la procédure et la figure page 13.
 - c. Retirez le couvercle du boîtier d'alimentation. Consultez la procédure et la figure page 13.
 - d. Déplacez la barre court-circuitante J8. Consultez la figure à droite.



MF32906

Pièces de rechange

N°	Description	Ouverture d'air de retour nominale				
		16 x 20 po (406 x 508 mm)	16 x 25 po (406 x 635 mm)	20 x 12-1/2 po (508 x 318mm)	20 x 20 po (508 x 508 mm)	20 x 25 po (508 x 635 mm)
1	Porte F300 inclut n° 2	32007528-003		N/D	32007528-003	
2	Bouton de test	137980A (1)				
3	Cellule électronique	FC37A1114 (2)	FC37A1130 (2)	FC37A1064 (1)	FC37A1049 (2)	FC37A1064 (2)
4	Poignée de la cellule	137266 (2)	137266 (2)	137266 (1)	137266 (2)	137266 (1)
5	Préfiltre (sans pinces à ressort)	209989 (2)	209989 (2)	209989 (1)	209989 (2)	209989 (2)
6	Clavette de cellule	136518 (1)				
7	Boîtier d'alimentation F300 Série Two ^b . Inclut n° 8 à 20. 120 V, 60 Hz. Couvercle blanc.	PS1201B20 (1)	PS1201B25 (1)	PS1201B12 ^d	PS1201B20 (1)	PS1201B25 (1)
	240V, 60 Hz ^c			PS2401B12 ^b		
8	Interrupteur	203321 (1)				
10	Boîtier d'alimentation F300, Série Two ^b . 120V, 60 Hz	PS1201A00 (1)				
	240V, 60 Hz	N/D ^c				
11	Support et interrupteur de verrouillage	4074ETG (1)				
13	Plaque à bornes avant	203329B (1)	203329B (1)	N/D	N/D	203329B (1)
14	Plaque à bornes arrière	203329A (1)		N/D	203329A (1)	
17	Cordon d'alimentation secteur	4074ETD (1)				
19	Néon	4074EYS (1)				
20	Commutateur de débit d'air, connexion à broche	4074ETH (1)				
	Commutateur de débit d'air, connexion à fiche	4074EZB (1)		N/A	4074EZB (1)	
21	Sac FC37A pour réparation des cellules. Contient : 2 attaches de connecteur, 1 plaque à bornes et instructions	4074EHG				
22	Post-filtre (en option)	50000293-001	50000293-002	50000293-004	50000293-003	50000293-004

^b B Série Two compatible avec W8600F.

^c Utilisez le nécessaire de conversion 203365A pour convertir le modèle 120 V, 60 Hz à 240 V, 60 Hz.

^d Remplacez le couvercle blanc par le couvercle noir en tant que variante. Utilisez le couvercle d'origine pour la correspondance des couleurs.

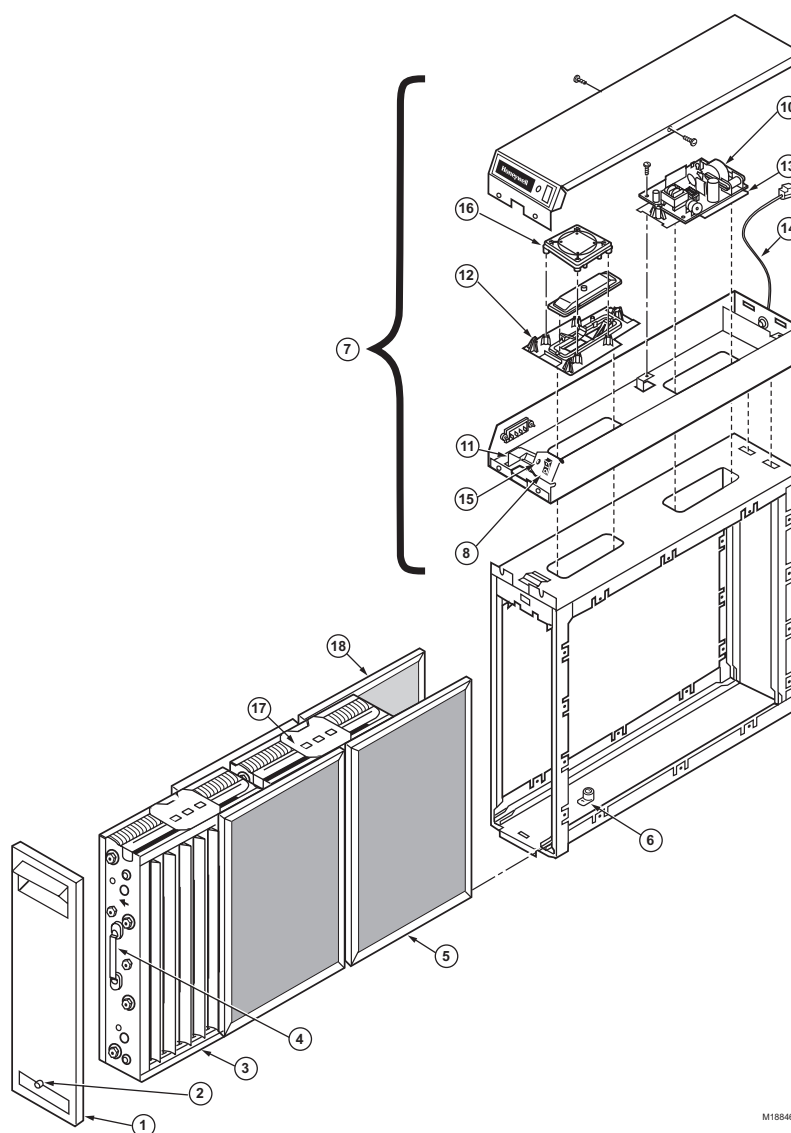
(#) = Quantité requise par unité.

N/D = Non disponible en tant qu'article de marchandise.

Pièces et accessoires non illustrés

Description	Ouverture d'air de retour nominale				
	16 x 20 po (406 x 508 mm)	16 x 25 po (406 x 635 mm)	20 x 12-1/2 po (508 x 318)	20 x 20 po (508 x 508 mm)	20 x 25 po (508 x 635 mm)
Nécessaire de joints d'armoire pour épurateur d'air	32002109-001 (obsolète; dans la mesure des stocks disponibles)				
Fils d'ionisateur (par multiples de 5)	136434BA	136434BA	136434AA	136434AA	136434AA
Nécessaire de conversion 240 V	203365A	203365A	N/A	203365A	203365A

N/A = Non disponible en tant qu'article de marchandise.



M18846E

GUIDE DE DÉPANNAGE DE L'ÉPURATEUR D'AIR ÉLECTRONIQUE

POUR COMMENCER



ASSUREZ-VOUS QUE LES CELLULES ÉLECTRONIQUES SONT PROPRES, SÈCHES ET CORRECTEMENT INSTALLÉES. ASSUREZ-VOUS QUE LES PRÉFILTRES MÉTALLIQUES SONT POSITIONNÉS SUR LE CÔTÉ OÙ L'AIR PÉNÈTRE DANS L'ÉPURATEUR D'AIR, ET QUE LES POST-FILTRES (LE CAS ÉCHÉANT) SONT POSITIONNÉS SUR LE CÔTÉ OÙ L'AIR SORT DE L'ÉPURATEUR.

METTEZ L'INTERRUPTEUR D'ALIMENTATION DE L'ÉPURATEUR D'AIR SUR MARCHÉ ET METTEZ LE VENTILATEUR DE CVCA EN MARCHÉ.

CONTRÔLEZ LE TÉMOIN DU SYSTÈME SUR L'ÉPURATEUR D'AIR.

ARRÊT

APPUYEZ SUR LE BOUTON DE TEST SUR LA PORTE DE L'ÉPURATEUR D'AIR. UN CLAQUEMENT DOIT SE FAIRE ENTENDRE.

OUI

REPLACEZ L'ENSEMBLE TÉMOIN/INTERRUPTEUR.

MARCHÉ

APPUYEZ SUR LE BOUTON DE TEST SUR LA PORTE DE L'ÉPURATEUR D'AIR. UN CLAQUEMENT DOIT SE FAIRE ENTENDRE.

NON

APPUYEZ SUR L'INTERRUPTEUR D'ALIMENTATION POUR ÉTEINDRE L'ÉPURATEUR D'AIR. RETIREZ LA PORTE ET VÉRIFIEZ QUE LES CONTACTS À L'INTÉRIEUR DU BOUTON DE TEST SONT EN BON ÉTAT.

NON

RÉPAREZ LES CONTACTS SUR LE BOUTON DE TEST.

OUI

L'ÉPURATEUR D'AIR FONCTIONNE CORRECTEMENT.

OUI

RETIREZ LES CELLULES (LAISSEZ LES PRÉFILTRES EN PLACE). FERMEZ LA PORTE D'ACCÈS ET ALLUMEZ L'ÉPURATEUR D'AIR.

INSPECTEZ LES CELLULES POUR
— DÉTECTER LA PRÉSENCE DE PLAQUES DE COLLECTEUR TORDUES
— DE FILS D'IONISATEUR CASSÉS
— D'ACCUMULATION DE SALETÉ SUR LES ISOLATEURS
— DE CONTACTS ENDOMMAGÉS SUR LE BORNIER À L'EXTRÉMITÉ DE LA CELLULE

MARCHÉ

CONTRÔLEZ LE TÉMOIN DU SYSTÈME SUR L'ÉPURATEUR D'AIR.

ARRÊT

AVERTISSEMENT
CETTE ÉTAPE EXPOSE À UNE HAUTE TENSION DANGEREUSE. SEUL UN TECHNICIEN D'ENTRETIEN QUALIFIÉ EST HABILITÉ À ENTREPRENDRE CETTE ÉTAPE.
VÉRIFIEZ QUE LA TENSION D'ENTRÉE EST CORRECTE ENTRE LES BORNES P1 ET P2 DU TABLEAU D'ALIMENTATION.

NON

RÉPAREZ LES CÂBLES.

OUI

REPLACEZ OU RÉPAREZ LES CELLULES.

NON

AVEC UN OHMMÈTRE, VÉRIFIEZ L'ABSENCE DE COURTS-CIRCUITS ENTRE :
— CADRE DES CELLULES ET FILS DE L'IONISATEUR
— CADRE DES CELLULES ET LAMES DU COLLECTEUR

OUI

REPLACEZ LE BLOC D'ALIMENTATION DE L'ÉPURATEUR D'AIR.

COURT-CIRCUIT DÉTECTÉ

REPLACEZ LES CELLULES

PAS DE COURT-CIRCUIT

CELLULES EN BON ÉTAT. REPLACEZ LE BLOC D'ALIMENTATION DE L'ÉPURATEUR D'AIR.

CET ÉPURATEUR D'AIR PRODUIT DES TRACES D'OZONE EN TANT QUE PRODUIT RÉSULTANT DU FONCTIONNEMENT NORMAL, QUI SONT SITUÉES BIEN EN DEÇÀ DU SEUIL PRESCRIT PAR LA FDA AMÉRICAINE. VEUILLEZ CONSULTER LE MANUEL DU PROPRIÉTAIRE POUR PLUS D'INFORMATIONS. POUR OBTENIR UN MANUEL DE RECHANGE, APPELEZ LE 1-800-468-1502 OU VISITEZ <http://yourhome.honeywell.com>

AVERTISSEMENT

UNE CONVERSION INCORRECTE À UN ÉPURATEUR D'AIR À FIBRES PEUT CAUSER DES RISQUES D'INCENDIE. LORS DE LA CONVERSION D'UN ÉPURATEUR D'AIR ÉLECTRONIQUE À UN ÉPURATEUR D'AIR À FIBRES, LE BLOC D'ALIMENTATION DOIT ÊTRE RETIRÉ OU DÉSACTIVÉ DE FAÇON PERMANENTE.

POUR UTILISER CE TABLEAU :

1. SUIVEZ LES ÉTAPES DANS L'ORDRE.
2. DÈS QU'UN PROBLÈME EST RÉSOLU, RECOMMENCEZ AU DÉBUT.
3. RÉPÉTEZ TOUTES LES ÉTAPES JUSQU'À CE QUE L'ÉPURATEUR FONCTIONNE CORRECTEMENT.

REMARQUE: SI UN MONITEUR D'ÉPURATEUR D'AIR W8600F EST CONNECTÉ À L'ÉPURATEUR, DÉBRANCHEZ L'ÉPURATEUR DU MONITEUR W8600F AVANT DE COMMENCER CETTE PROCÉDURE. LE MONITEUR W8600F PEUT ÊTRE CONTRÔLÉ SÉPARÉMENT. CONSULTEZ LA FEUILLE D'INSTRUCTION W8600F.

Rappel de lavage de l'épurateur d'air électronique et calendrier de remplacement des post-filtres

Honeywell recommande de laver l'épurateur d'air électronique et de remplacer le post-filtre au moins une fois par an à partir de la date d'installation. Utilisez le tableau ci-dessous pour faire le suivi de l'entretien de l'épurateur d'air électronique.

Date d'installation :			
Date	Lavage de l'épurateur d'air	Remplacement des post-filtres	Initiales
	<input type="checkbox"/>	<input type="checkbox"/>	
	<input type="checkbox"/>	<input type="checkbox"/>	
	<input type="checkbox"/>	<input type="checkbox"/>	
	<input type="checkbox"/>	<input type="checkbox"/>	
	<input type="checkbox"/>	<input type="checkbox"/>	
	<input type="checkbox"/>	<input type="checkbox"/>	
	<input type="checkbox"/>	<input type="checkbox"/>	
	<input type="checkbox"/>	<input type="checkbox"/>	
	<input type="checkbox"/>	<input type="checkbox"/>	
	<input type="checkbox"/>	<input type="checkbox"/>	
	<input type="checkbox"/>	<input type="checkbox"/>	
	<input type="checkbox"/>	<input type="checkbox"/>	

Solutions de régulation et d'automatisation

Honeywell International Inc.

1985 Douglas Drive North

Golden Valley, MN 55422

<http://customer.honeywell.com>

© Marque de commerce déposée aux États-Unis
© 2012 Honeywell International Inc.
68-0240EF—08 M.S. Rev 09-12
Imprimé aux États-Unis

Honeywell