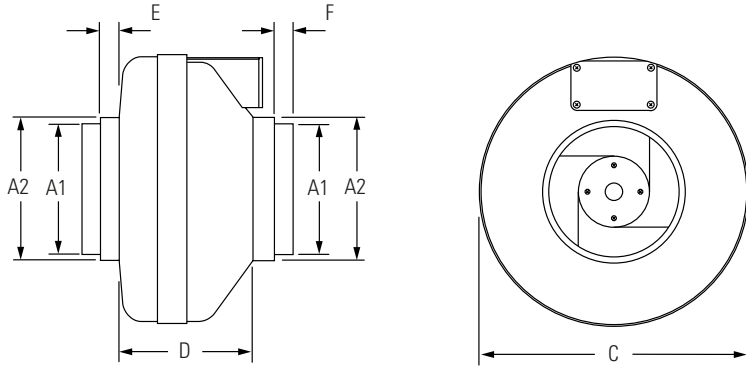


FR Series

Inline Centrifugal Fans



STANDARD FEATURES

- Airflow up to 650 cfm
- 100% speed controllable
- Prewired and supplied with a mounting bracket
- Can be installed in any orientation
- Approved for residential and commercial applications
- Airstream temperatures up to 140°F
- Five-year factory warranty

Model	A1	A2	C	D	E	F	Weight	Energy Star
FR 100	3 7/8	5	9 1/2	6 1/8	7/8	7/8	6	•
FR 110	3 7/8	5	9 1/2	6 1/8	7/8	7/8	7	
FR 125	-	5	9 1/2	6 1/8	7/8	-	6	•
FR 140	5 7/8	6 1/4	11 3/4	5 7/8	1	7/8	8	•
FR 150	5 7/8	6 1/4	11 3/4	5 7/8	1	7/8	8	•
FR 160	5 7/8	6 1/4	11 3/4	6 3/8	1	7/8	8	
FR 200	7 7/8	10	13 1/4	6 1/4	1 1/2	1 1/2	10	•
FR 225	7 7/8	10	13 1/4	6 1/4	1 1/2	1 1/2	11	•
FR 250	-	10	13 1/4	6 1/4	1 1/2	-	13	

All dimensions in inches. Weights in pounds.



Fan Specifications							Motor Specifications				
Line	Qty	Model No.	Tag	CFM	SP	Fan RPM	Watts	Volts	Phase	Hertz	Encl
1											
2											
3											
4											

Accessory Items	1	2	3	4	Accessory Items	1	2	3	4
<input type="checkbox"/>					<input type="checkbox"/>				
<input type="checkbox"/>					<input type="checkbox"/>				
<input type="checkbox"/>					<input type="checkbox"/>				
<input type="checkbox"/>					<input type="checkbox"/>				

Project: _____ Submitted: _____
 Customer: _____ Approved: _____
 Location: _____

United States 10048 Industrial Blvd. • Lenexa, KS 66061 • 1.800.747.1762 • www.fantech.net
Canada 50 Kanalfakt Way • Bouctouche, NB E4S 3M5 • 1.800.565.3548 • www.fantech.ca

Fantech reserves the right to make technical changes.
 For updated documentation please refer to www.fantech.net

