

ULTRA-ZONE™

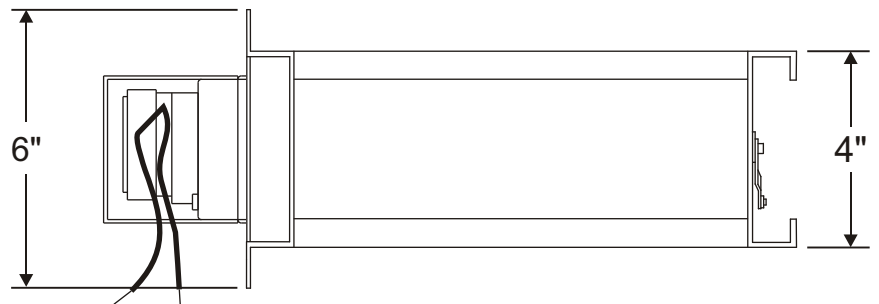
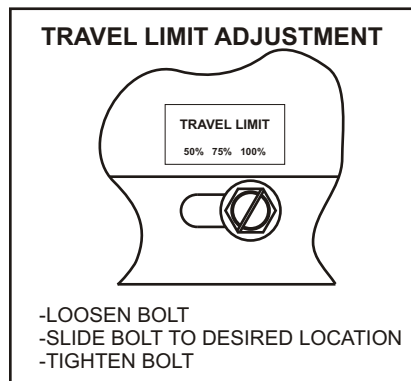
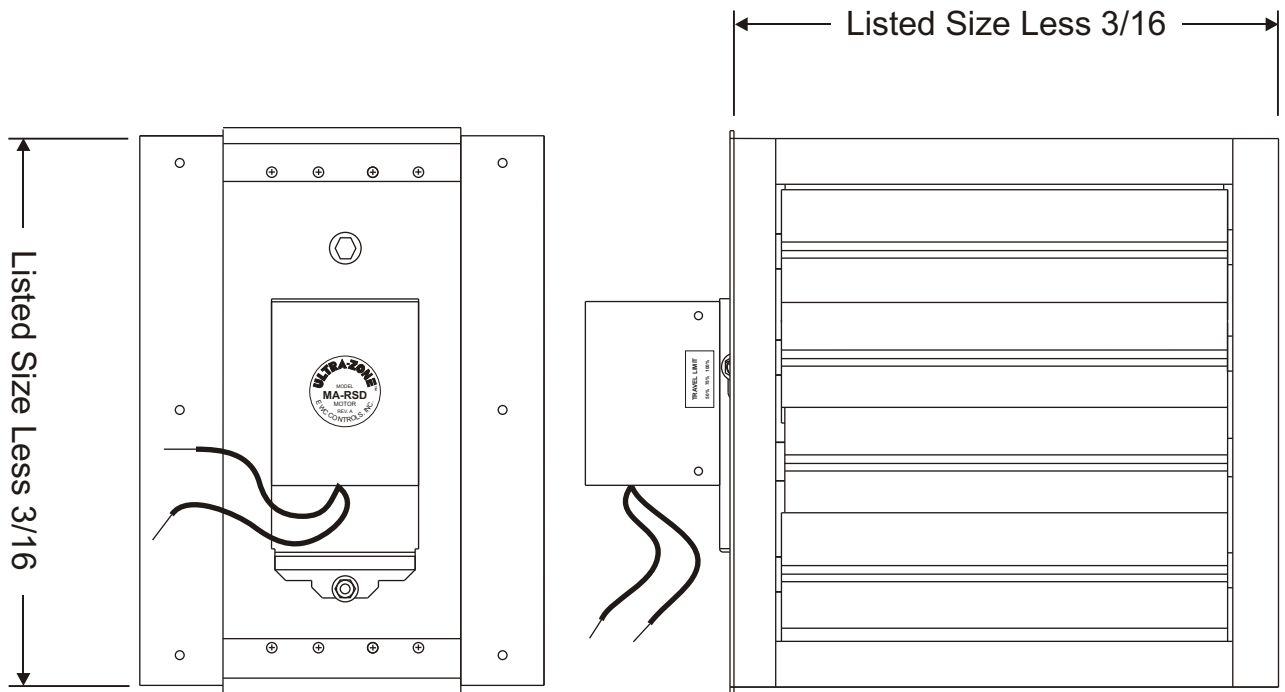
Forced Air Zone Controls

SUBMITTAL SHEET

Model ND-RSD
Rectangular Spring-Return Damper

Model ND-RSD is a rectangular parallel blade damper constructed from heavy duty extruded aluminum with nylon bearings for quiet operation. The Motor Actuator is a 24 VAC Synchronous motor that draws 6 watts / 8 VA. It is Power Closed / Spring Open (standard). The damper can be ordered as Power Open / Spring Close. *The Model ND-RSD can not be field-reversed.* The Model ND-RSD also has a Travel Limiter to allow Supply Air leakage. See reverse for Wiring Solutions.

DIMENSIONAL DRAWINGS



Insertion Mounting

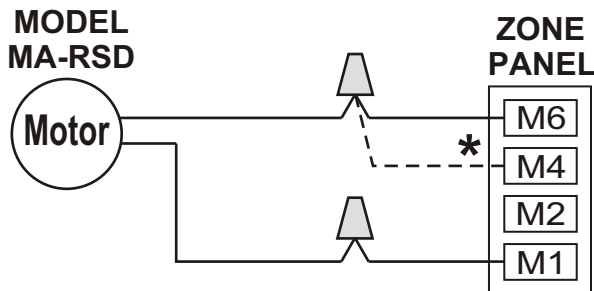
Cut a 4" slotted opening in one side of the duct and slide the damper in. Secure the damper to the duct with the supplied sheet metal screws. Larger sizes may require additional support by securing the back of the damper as well. If using duct board, additional support can be obtained by using Model DBA Duct Board Adaptors.

WIRING SOLUTIONS

MOTOR Terminal Output

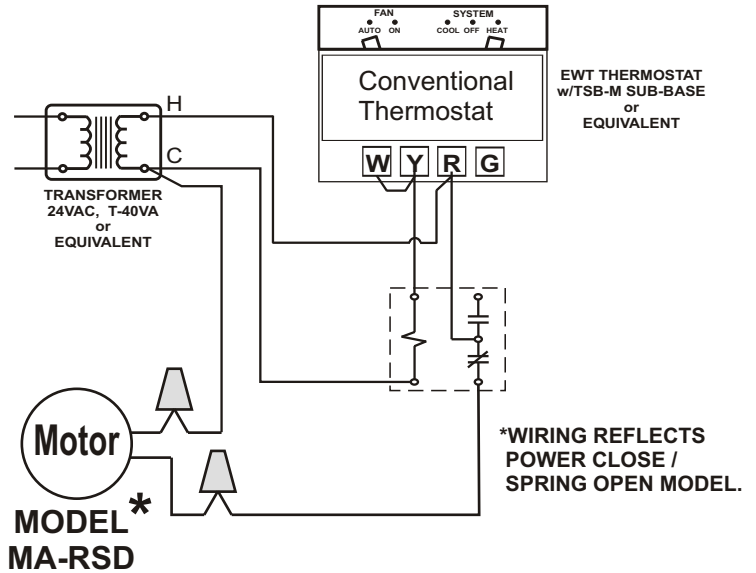
- M6 - power to close
- M4 - power to open
- M2 - constant power
- M1 - common

Wiring to a Control Panel



*DAMPER SHOWN AS POWER CLOSE/SPRING OPEN MODEL
IF POWER OPEN/SPRING CLOSE MODEL WIRE TO M4 TERMINAL.

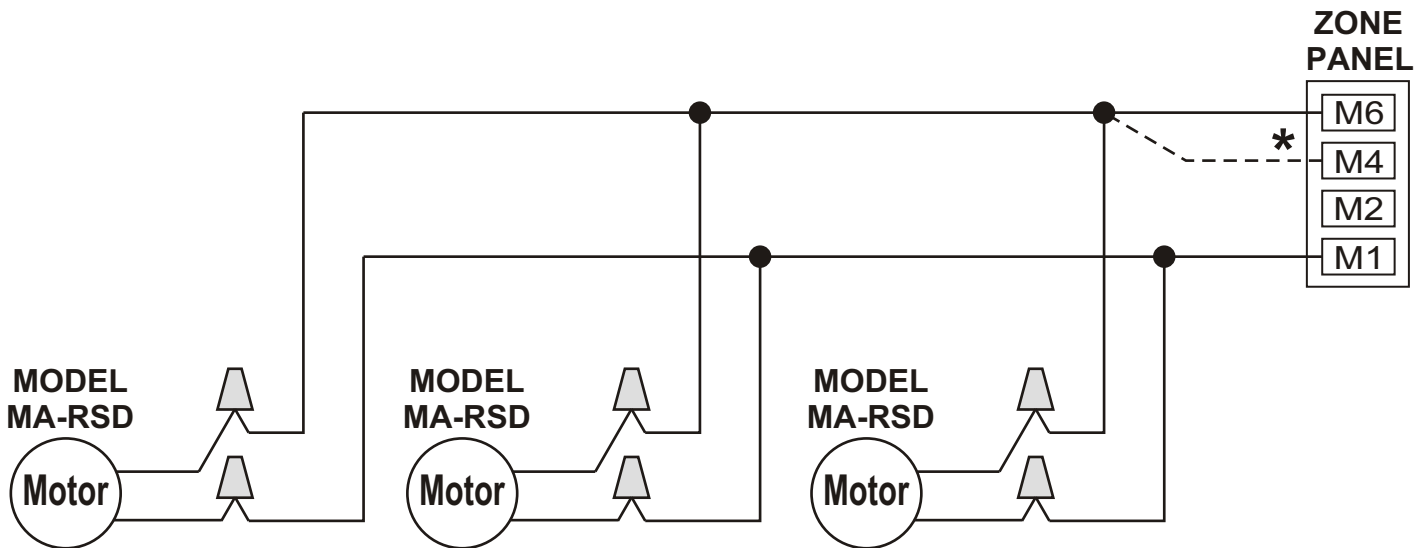
Wiring a Thermostat to Control a Single Damper



*WIRING REFLECTS
POWER CLOSE /
SPRING OPEN MODEL.

Wiring in Parallel

*DAMPERS SHOWN AS POWER CLOSE/SPRING OPEN MODELS
IF POWER OPEN/SPRING CLOSE MODELS WIRE TO M4 TERMINAL.



Excellence Without Compromise



385 Hwy. 33 Englishtown, NJ 07726
Ph: 800-446-3110 - Fx: 732-446-5362