



6" Duct (Standard):
150 CFM/<0.3 Sones @ 0.1 SP, 16.9 Watts
149 CFM/1.0 Sones @ 0.25 SP, 23.7 Watts



Description

Low noise ceiling/wall mount ventilating fan rated for continuous running. Fan has been awarded ENERGY STAR® Most Efficient in 2014. It is HVI, UL, and cUL certified, and can be used to comply with ASHRAE 62.2 (local and whole building continuous and intermittent operation), CA Title 24, and CALGreen requirements.

DC Motor Technology

- Built-in soft start function to increase bearings life.
- Automatically powers OFF when impeller is locked abnormally.

Motor/Blower

- Power Rating of 120 volts/60Hz
- DC Brushless motor engineered to run continuously
- Motor equipped with thermal cutoff fuse
- Removable with permanently lubricated plug-in motor

Housing

- Galvanized steel body.
- Detachable 6" diameter metal duct adapter
- Built-in backdraft damper
- Easy installation with expandable extension bracket

Grille

- Attractive design using ABS material
- Attaches directly to housing with torsion springs

LED Indicator

- Turn the power switch on/off to operate on/off. LED indicator will be green when power is on.

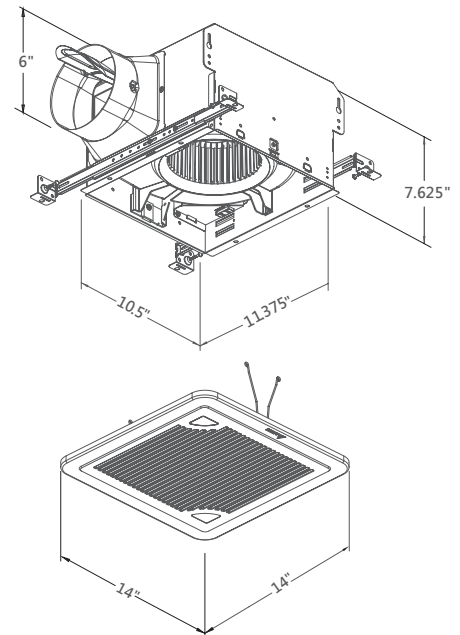
Warranty

- 3-year limited warranty

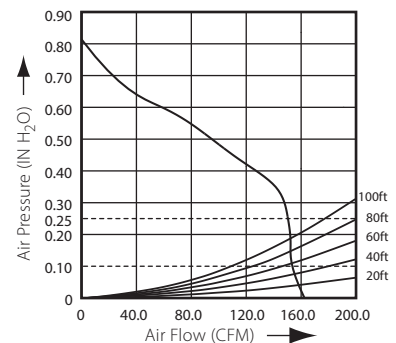
Feature

- For ceiling mount only, airflow of 150 CFM(±10%) and <0.3 Sones at 0.1" static pressure
- Power consumption approximately 9.7 Watts with an efficiency rating approximately 8.2 CFM/Watt at 0.1" static pressure
- UL and cUL listed for tub/shower enclosure when used with GFCI-protected branch circuit wiring

SMT150 Dimensions



Fan Curve



SMT150	6" Duct (Standard)	
Static Pressure (inches w.g.)	0.1	0.25
Air Flow (CFM)	150	149
Sones	<0.3	1.0
Power Consumption (Watts)	16.9	23.7
Energy Efficiency (CFM/Watt)	8.8	6.2
Current (Amps)	0.47 Max	
Power Rating (V/Hz)	120/60	

Model	Quantity	Comments	Project:
			Location:
			Architect:
			Engineer:
			Contractor:
			Submitted by:
			Date: