

### Description

Low noise ceiling mount ventilating fan rated for continuous running. Fan is ENERGY STAR® qualified, HVI, UL, and cUL certified, and can be used to comply with ASHRAE 62.2 (local and whole building continuous and intermittent operation), CA Title 24, and CALGreen requirements.

### Motor/Blower

- Power rating of 120volts / 60Hz.
- DC brushless motor engineered to run continuously.
- Motor equipped with thermal cutoff fuse.
- Removable with permanently lubricated motor.

### Housing

- Galvanized steel body.
- Detachable 6" diameter metal duct adapter.
- Built in backdraft damper.
- Easy installation with expandable extension bracket.

### Grille

- Attractive design using ABS material.
- Attaches directly to housing with torsion springs.

### Warranty

- 3-year limited warranty.

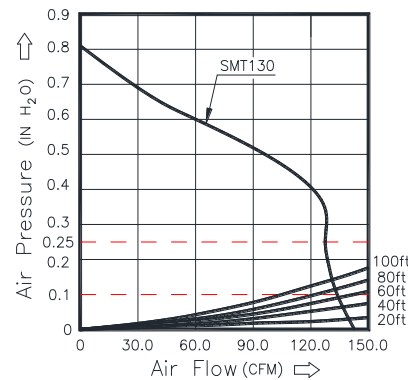
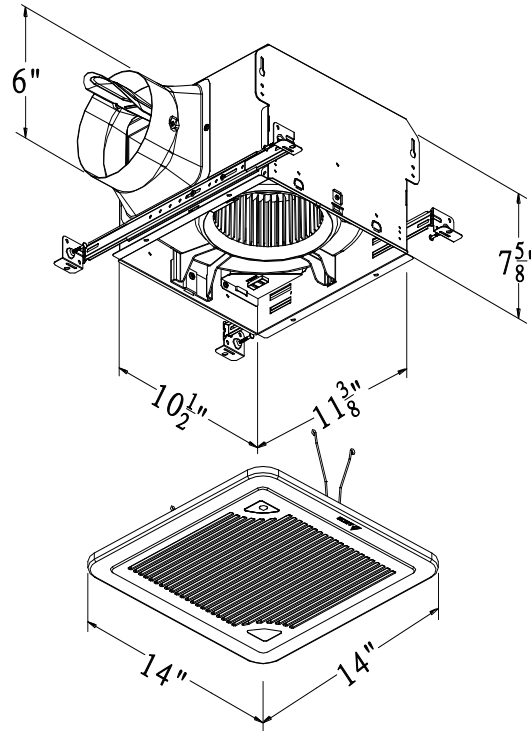
### Feature

- For ceiling mount only, airflow of 130 CFM (±10%) and <0.3 sones at 0.1 static pressure.
- Power consumption approximately 11.6 Watts with an efficiency rating approximately 11.2 CFM/Watt at 0.1" static pressure.
- UL and cUL listed for tub/shower enclosure when used with GFCI-protected branch circuit wiring.

(130 CFM)

### DC Motor Technology

- Built-in soft start function to increase bearings' life.
- Automatically powers off when impeller is locked abnormally.



BreezSmart SMT130	6" Duct (Standard)	
Static Pressure (inches w.g.)	0.1	0.25
Air Flow (CFM)	130	124
Sones	<0.3	0.7
Power Consumption (Watts)	11.6	20.0
Energy Efficiency (CFM/Watt)	11.2	6.2
Current (Amps)	0.44	
Power Rating (V/Hz)	120/60	



Model	Quantity	Comments	Project:
			Location:
			Architect:
			Engineer:
			Contractor:
			Submitted by:
			Date: