



(Fan with Motion Sensor - 80 CFM)

	Full Speed:	Low Speed:		
	80 CFM/<0.3 Sones @ 0.1 SP, 8.2 Watts 65 CFM/0.5 Sones @ 0.25 SP, 10.8 Watts	40 CFM/<0.3 Sones @ 0.1 SP, 5.0 Watts 34 CFM/0.3 Sones @ 0.25 SP, 9.0 Watts		

Description

Low noise ceiling mount ventilating fan with motion sensor rated for continuous running. Fan has been awarded ENERGY STAR® Most Efficient in 2014. It is HVI, UL, and cUL certified, and can be used to comply with ASHRAE 62.2 (local and whole building continuous and intermittent operation), CA Title 24, and CALGreen requirements.

Motor/Blower

- Power rating of 120 volts/60Hz
- DC brushless motor engineered to run continuously
- Motor equipped with thermal cutoff fuse.
- Removable with permanently lubricated plug-in motor

Housing

- Galvanized steel body
- Detachable 4" diameter metal duct adapter
- Built-in backdraft damper
- Easy installation with expandable extension bracket

Grille

- Attractive design using ABS material
- Attaches directly to housing with torsion springs

LED Indicator

- Green and amber LED indicator lights to show continuous low speed and full speed modes

Warranty

- 3-year limited warranty.

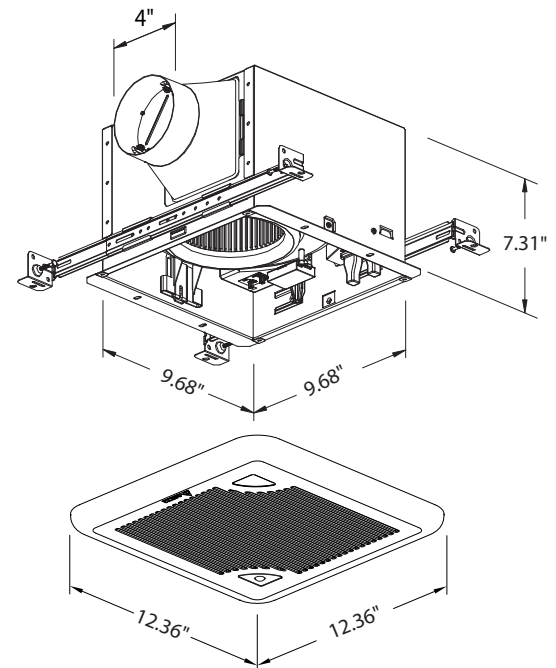
Features

- For ceiling mount only, airflow of 80 CFM (±10%) and <0.3 Sones at 0.1" static pressure
- Adjustable low speed airflow and delay time
- Power consumption approximately 8.2 Watts with an efficiency rating approximately 9.8 CFM/Watt at 0.1" static pressure
- UL and cUL listed for tub/shower enclosure when used with GFCI-protected branch circuit wiring

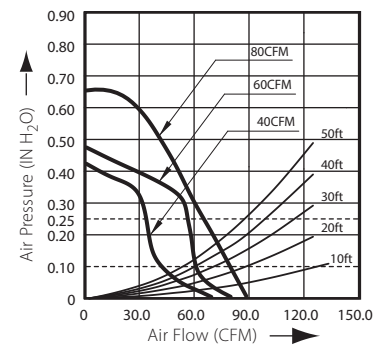
- Delay time preset positions (0.5, 5, 15, 30, 45, 60 minutes)
- When motion is detected, fan runs at full speed (80 CFM). When user leaves, fan remains running at full speed until user-preset delay time has passed. Fan runs continuously at a user-preset lower level (0, 40, 60 CFM)

DC Motor Technology

- Built-in soft start function to increase bearings' life
- Automatically powers off when impeller is locked abnormally



Fan Curve



BreezSignature SIG80M	Continuous low speed				Full speed	
Static Pressure (inches w.g.)	0.1	0.25	0.1	0.25	0.1	0.25
Air Flow (CFM)	40	34	60	56	80	65
Sones	<0.3	0.3	<0.3	0.4	<0.3	0.5
Power Consumption (Watts)	5.0	9.0	6.2	10.8	8.2	10.8
Energy Efficiency (CFM/Watt)	8.4	4.0	9.9	5.3	9.8	6.0
Current (Amps)	0.30 Max					
Power Rating (V/Hz)	120/60					

Model	Quantity	Comments	Project:
			Location:
			Architect:
			Engineer:
			Contractor:
			Submitted by:
			Date: