



(Fan/Light/Night-Light - 80 CFM)



**4" Duct (Standard):**  
 80 CFM/<0.3 Sones @ 0.1 SP, 8.5 Watts  
 59 CFM/0.5 Sones @ 0.25 SP, 10.7 Watts



**Description**

Low noise ceiling mount ventilating fan/light/night-light rated for continuous running. Fan has been awarded ENERGY STAR® Most Efficient in 2014. It is HVI, UL, and cUL certified, and can be used to comply with ASHRAE 62.2 (local and whole building continuous and intermittent operation). Meet CA Title 24 requirements.

**Motor/Blower**

- Power rating of 120 volts/60Hz
- DC brushless motor engineered to run continuously
- Motor equipped with thermal cutoff fuse
- Removable with permanently lubricated plug-in motor

**Housing**

- Galvanized steel body
- Detachable 4" diameter metal duct adapter
- Built-in backdraft damper
- Easy installation with expandable extension bracket

**Grille**

- Attractive design using ABS material

**Light**

- (1) GU24 26-watt compact fluorescent lamp included
- (1) E12 4-watt night light included
- Main light output 1850 Lumens, 2700K

**LED Indicator**

- Turn the power switch on/off to operate on/off. LED indicator will be green when power is on

**Warranty**

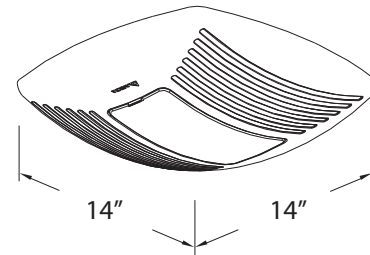
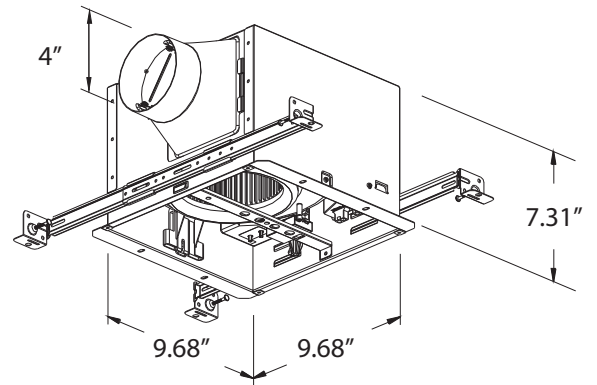
- 3-year limited warranty

**Features**

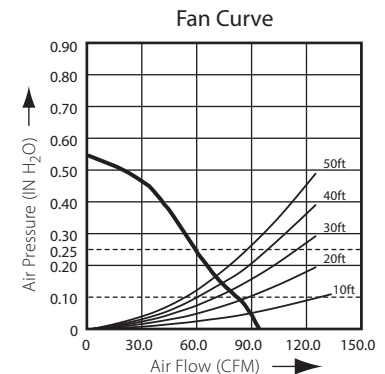
- For ceiling mount only, airflow of 80 CFM (±10%), and <0.3 Sones at 0.1" static pressure
- Power consumption approximately 8.5 Watts with an efficiency rating at approximately
- 9.7 CFM/Watt at 0.1" static pressure
- UL and cUL listed for tub/shower enclosure when used with GFCI-protected branch circuit wiring

**DC Motor Technology**

- Built-in soft start function to increase bearings' life
- Automatically powers OFF when impeller is locked abnormally



BreezSignature SIG80L	4" Duct (Standard)	
Static Pressure (inches w.g.)	0.1	0.25
Air Flow (CFM)	80	59
Sones	<0.3	0.5
Power Consumption (Watts)	8.5	10.7
Energy Efficiency (CFM/Watt)	9.7	5.6
Current (Amps)	0.30 Max	
Power Rating (V/Hz)	120 / 60	
Lamp (Watts)	26	
Night Light (Watts)	4	



Model	Quantity	Comments	Project:
			Location:
			Architect:
			Engineer:
			Contractor:
			Submitted by:
			Date: