



(Fan/Light/Night-Light with Humidity Sensor - 110 CFM)



Full Speed:

110 CFM/0.4 Sones @ 0.1 SP, 12.7 Watts
92 CFM/0.8 Sones @ 0.25 SP, 15.2 Watts

Low Speed:

40 CFM/<0.3 Sones @ 0.1 SP, 5.1 Watts
42 CFM/0.4 Sones @ 0.25 SP, 9.0 Watts



Most Efficient
2014
www.energystar.gov



Description

Low noise ceiling mount ventilating fan/Light/Night-Light with Humidity Sensor rated for continuous running. Fan has been awarded ENERGY STAR® Most Efficient in 2014. It is HVI, UL, and cUL certified, and can be used to comply with ASHRAE 62.2 (local and whole building continuous and intermittent operation). Meet CA Title 24 requirements.

Motor/Blower

- Power rating of 120 volts/60Hz
- DC brushless motor engineered to run continuously
- Motor equipped with thermal cutoff fuse
- Removable with permanently lubricated plug-in motor

Housing

- Galvanized steel body
- Detachable 4" diameter metal duct adapter
- Built-in backdraft damper
- Easy installation with expandable extension bracket

Grille

- Attractive design using ABS material

Light

- (1) GU24 26-watt compact fluorescent lamp included
- (1) E12 4-watt night light included
- Main light output 1850 Lumens, 2700K

LED Indicator

- Blue and amber LED indicator lights to show humidity sensor and full speed modes

Warranty

- 3-year limited warranty

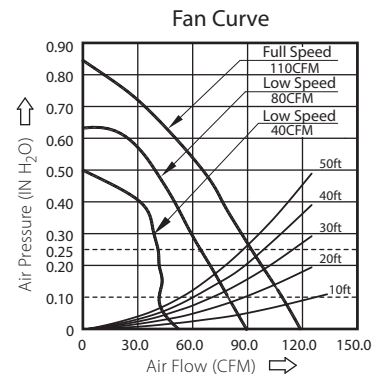
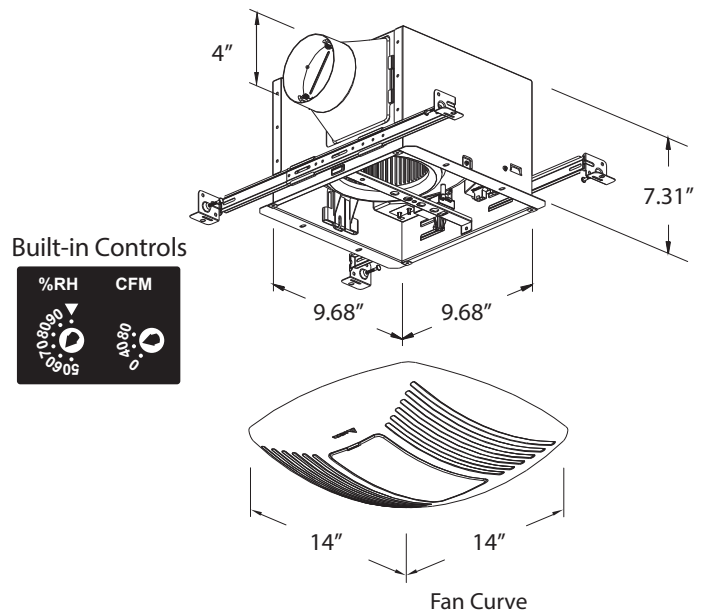
Features

- Adjustable humidity set points between ~50% to ~90% RH
- Adjustable low speed airflow
- For ceiling mount only, airflow of 110 CFM (±10%) and 0.4 Sones at 0.1" static pressure
- Power consumption approximately 12.7 Watts with an efficiency rating approximately 8.8 CFM/Watt at 0.1" static pressure

- Duct diameter no less than 4"
- UL and cUL listed for tub/shower enclosure when used with GFCI-protected branch circuit wiring

DC Motor Technology

- Allows fan to operate in full speed mode or humidity control mode by manual switch
- For humidity control mode, when humidity is above the set-point, fan runs at full speed (110 CFM). When humidity is below the set-point, the fan runs continuously at a pre-set lower level (0, 40, 80 CFM)
- Built-in soft start function to increase bearings' life
- Automatically powers OFF when impeller is locked abnormally



BreezSignature SIG110HL	4" Duct (Standard)					
	0.1	0.25	0.1	0.25	0.1	0.25
Static Pressure (inches w.g.)	0.1	0.25	0.1	0.25	0.1	0.25
Air Flow (CFM)	40	42	80	59	110	92
Sones	<0.3	0.4	<0.3	0.5	0.4	0.8
Power Consumption (Watts)	5.1	9.0	8.5	10.7	12.7	15.2
Energy Efficiency (CFM/Watt)	7.9	4.7	9.7	5.6	8.8	6.2
Current (Amps)	0.38 Max					
Power Rating (V/Hz)	120/60					
LED Main Light (Watt)	26					
LED Night Light (Watt)	4					

Model	Quantity	Comments	Project:
			Location:
			Architect:
			Engineer:
			Contractor:
			Submitted by:
			Date: